



PRODUCT CATALOG

2020

PENTAIR.COM



As another year approaches, we want to take this opportunity to thank you for choosing Pentair as your trusted manufacturer for pool equipment products. We know there are other manufacturers to choose from and we appreciate your partnership in providing the best pool products and services available to pool owners.

We recognize the evolution in pool owner needs from single products to full equipment pad solutions, which is why Pentair is dedicated to offering smart, sustainable, water solutions. **For Life.** In 2019, we opened a state-of-the-art innovation center in Apex, NC, providing 50,000 square feet of advanced electronics with environmental and physical testing capabilities. Designed to advance the company's commitment to innovation and digital transformation, this new facility furthers our dedication to designing products that more confidently connect pool owners with their pools.

To help pool professionals build more sustainable business models, we've made strategic enhancements to our TradeGrade policy. These enhancements were designed around three key principles: Protect. Empower. Grow. As a pool equipment manufacturer, we have a moral obligation to protect pool owners who purchase Pentair products; ensuring their peace of mind knowing the equipment they invest in has been correctly sized, purchased from, and installed by a pool professional. We likewise have a professional obligation to ensure the success of our trade partners. To us, it isn't about pulling SKUs off the internet; it's about forming relationships with our trade partners and empowering you to grow your business. Our enhanced TradeGrade policy is designed to ensure you have a sustainable business model that can succeed well into the future. These changes are designed to result in growth. How much you grow is ultimately up to you, but you can rest assured knowing that we continue to stand behind our products and values. We mean it when we say, **"We've Got Your Back. Always Have. Always Will."**

As we continue our efforts to help you, our trade partners, build more sustainable and successful business models, we are working to release new and improve upon existing business-building tools. Tools like, the Master Service Program, a tiered incentive program to reward service techs and retailers who dedicate themselves to product education and training. As well as Pentair University training events, with all-new aftermarket upsell training courses that are designed to help you identify new opportunities and close sales right in the backyard. We also offer a special discount on HomeAdvisor®; this program sends you pre-qualified leads to help make fast online connections to your building, renovation, and service offerings. Lastly, we've also redesigned Pool Pad Pro to help you find the most relevant Pentair assets and information quicker and easier than ever.

As a thank you for your continued loyalty and support, Pentair offers its Partners Incentive Program (PIP), which rewards you with points starting with your very first Pentair purchase on whole goods and parts. Participants in our exclusive PIP program can earn cash, merchandise and trips to incredible destinations. The choice to use your Pentair Points is solely up to you, but remember, if you are thinking about joining us on the Path to Paradise® Incentive Trip to the **Grand Hyatt® Baha Mar in the breathtaking Nassau, The Bahamas, Dec. 1-6, 2020**, you'll want to act fast as these trips have been known to sell out quickly!

Lastly, we know you have many choices when it comes to selecting which pool equipment you offer your customers and the partnership we have developed together means more than just a simple transaction. We are proud to call you partners and thankful we can call you family.

Wishing you a successful and happy 2020 pool season!

To Your Success,

Jerome Pedretti

Sr. Vice President, Aquatic Systems

HomeAdvisor® is a registered trademark of HomeAdvisor, Inc. in the United States and/or other countries.
Grand Hyatt® is a registered trademark of Hyatt Corporation in the United States and/or other countries.



WHOLE GOODS DIRECTORY

EVERYTHING FROM A SINGLE SOURCE!

KEY: ● Pentair ○ Sta-Rite

Directory 2-5
 Terms and Conditions 6

ABOVEGROUND SYSTEMS 7-16

Clean and Clear Filter Systems ● 8
 Predator II Mini-Cellular Media Filter System ● 9
 PLM Series Filter Systems ○ 10
 PLD Series Filter Systems ○ 11
 EasyClean D.E. Series Filter Systems ● 12
 Sand Dollar Filter Systems ● 13
 Cristal-Flo II Filter Systems ○ 14
 Accessories and Part Number Scheme ● 15-16

AUTOMATIC POOL CLEANERS 17-28

Pentair Prowler 930/920/910 ● 18-19
 Pentair Warrior SI/SE/SL ● 20-21
 Pentair Racer ● 21
 Pentair Racer LS ● 22
 Kreepy Krauly Platinum ● 22
 Kreepy Krauly Legend/Legend II ● 23
 Pentair Rebel ● 24
 Kreepy Krauly Warrior ● 24
 Pentair Dorado ● 25
 Kreepy Krauly Great White ● 25
 Kreepy Krauly/ Kreepy Krauly Cruiser ● 26
 Pentair 'Lil Rebel ● 27
 Kreepy Krauly 'Lil Shark ● 27
 Kreepy Krauly E-Z Vac ● 28
 Kreepy Krauly SandShark ● 28

AUTOMATION 29-56

IntelliCenter ● 30-31
 ScreenLogic2 Interface ● 32-33
 IntelliTouch Automation Systems ● 34-39
 EasyTouch / ET PL4 & PSL4 Control Systems ●... 40-43/45
 IntelliConnect Control & Monitoring Systems ● 44
 SunTouch Control System ● 46
 SolarTouch Solar Control System ● 47
 Remote Control and Monitoring Software ● 48
 IntelliValve Actuator / IntelliLevel Leveling System ● 49
 Valve Actuator / GFCI Circuit Breakers ● 50
 IntelliChem Chemical Controller ● 52
 IntelliPH Chemical Controller ● 54

FILTERS 57-98

Clean & Clear Filters ● 59-60
 Clean & Clear RP Filters ● 61
 Dynamic Series Filters ● 62-63
 System:3 SM Series Modular Media Filters ○ 64-65
 System:2 PLM Series Modular Media Filters ○ 66-67
 PosiClear RP Filters ○ 68
 FNS Plus Filters ● 69

FILTERS (CONT'D)

EasyClean Filters ● 70
 Quad D.E. Filters ● 71
 System:2 PLD Series Modular D.E. Filters ○ 72-73
 System:2 PLDE Series Modular D.E. Filters ○ 74-75
 System:3 SD Series D.E. Filters ○ 76-77
 System:3 SMD Series Modular D.E. Filters ○ 78-79
 SMBW 4000 Series Filters ● 80
 D.E. Separation Tank ○ ● 81
 ClearPro Technology ● 82
 Sand Dollar Top Mount Filters ● 83
 Tagelus Top Mount Filters ● 84
 Triton II Side Mount Filters ● 85-86
 Cristal-Flo II Side-Mount Filters ○ 87
 System:3 SS Series Sand Filters ○ 88-89
 Plumbing Kits and Accessories ● 96-97

HEATERS & HEAT PUMPS 99-116

UltraTemp ETi Hybrid Heater ● 100-101
 ETi 400 High Efficiency Heater ● 102-103
 MasterTemp Heater ● 104-105
 MasterTemp 125 Heater ● 106-107
 Max-E-Therm Heater ○ 108-109
 Max-E-Therm & MasterTemp Accessories ● 110
 UltraTemp Heat Pumps ● 116

LIGHTING 117-140

MicroBrite LED Light ● 118
 IntelliBrite 5g Color LED ● 119
 IntelliBrite 5g White LED ● 120-121
 GloBrite LED Lights ● 122-123
 IntelliBrite Landscape Lights/IntelliBrite Controller ● 124
 Amerlite ● 125-126
 SpaBrite ● 127
 AquaLight ● 128
 AquaLumin III Lights ● 129
 AquaLuminator ● 130
 HiLite ● 131
 Fountain Lights and Fixtures ● 132
 Canadian Pool Lights ● 133-135
 Pentair Large & Small Stainless Steel Niches ● 136-137
 Plastic Niches ● 138
 Accessories & Junction Boxes ● 139

MAINTENANCE & SAFETY EQUIPMENT 141-166

Brushes & Scrubbers ● 143
 Floats, Float Rope, Safety Hook ● 144
 Floating Chemical Dispensers ● 145
 Hand Skimmers & Leaf Rakes ● 146
 Leaf Traps / Leaf Eaters ● 147
 Replacement Skimmer Baskets ● 148
 Maintenance Kits ● 149
 Poles and Pole Accessories ● 150-151
 Pool & Spa Signs ● 152-154

MAINTENANCE & SAFETY EQUIPMENT (CONT'D)

Test Kits and Test Reagents ●	155–156
Water Hardness / Specialty Test Kits ●	157
Rapid Test Strips and Digital Salt Tester ●	158
Thermometers ●	159
Vinyl Liner Pool Vacuums/Flexible Vacuums ●	160
ProVac II and ProVac ●	161
Mini Vac/Vac Mate ●	162
Miscellaneous Accessories ●	163

PUMPS 167–260

IntelliFloXF VSF Pump ●	168–169
IntelliFloXF VS Pump ●	170–171
IntelliFlo VSF Pump ●	172–173
IntelliFlo Variable Speed Pump ●	174–175
IntelliFlo VS+SVRS Pump ●	176–177
IntelliFlo i2 Pump ●	178–179
IntelliFlo i1 Pump ●	180–181
WhisperFloXF High Performance Pumps ●	182–183
WhisperFlo High Performance Pumps ●	184–185
Challenger High Flow Pumps ●	186–187
Challenger High Pressure Pumps ●	188–189
WaterFall Specialty Pumps ●	190–191
SuperFlo VS Pumps ●	192–193
SuperFlo Pumps ●	194–195
IntelliProXF VSF Pump ○	196–197
IntelliProXF VS Pump ○	198–199
IntelliPro VSF Pump ○	200–201
IntelliPro Variable Speed Pump ○	202–203
IntelliPro VS+SVRS Pump ○	204–205
Max-E-ProXF Pumps ○	206–207
Max-E-Pro Pumps ○	208–211
SuperMax VS Pumps ○	212–213
SuperMax Pumps ○	214–215
Dyna-Pro Pumps ○	216–217
Dyna-Wave Water Feature Pump ○	218–219
Dyna-Jet Spa/Water Features Pump ○	220–221
Dynamo Pumps (Pentair) ●	222–223
OptiFlo Pumps (Pentair) ●	224–225
Dynamo Pumps (Sta-Rite) ○	226–227
OptiFlo Pumps (Sta-Rite) ○	228–229
Boost-Rite Booster Pump ●	254
Booster Pump ●	255
PCD-1000 Submersible Pump ○	256
Parts-Paks & Accessories ○	257
Conversion Reference Charts	260

SANITIZERS 261–274

iChlor Salt Chlorine Generator ●	263
IntelliChlor Salt Chlorinator ●	264
BioShield UV Sterilizer ●	266
Automatic Chlorine/Bromine Feeders ●	271
Automatic Feeder Accessories ●	272
Chlorine/Bromine Sizing Charts ●	273

VALVES 275–282

Diverter and Check Valves ●	276
FullFloXF Diverter and Check Valves ●	277
Pre-Plumbed Valves ●	278
HiFlow Valve ●	279
TA (Tagelus) Filter Valves ●	280
Slide Valves ●	281

WATER FEATURES 283–298

MagicStream Laminar ●	285
MagicBowl Water Effect ●	286–287
ColorVision w/GloBrite LED Light Bubbler ●	288–289
MagicFalls Water Effects ●	290–294
WallSpring Decorative Accents ●	295–297
Deck Jet & MagicStream Deck Jet II ●	298

WHITE GOODS 299–316

Admiral S15 & S20 Skimmers ●	300–301
Bermuda Skimmers ●	302–303
U-3 Skimmers ○	304–305
Skimmer Lids / Gutter Drains ●	306–307
StarGuard Main Drains ●	308–309
Pool Specialty Fittings ●	310–311
Return Fittings ●	312
Wall Fittings - Inlets ●	313
Automatic Water Fillers ●	314
Inline Thermometers / Flowmeters ●	315–316

COMMERCIAL PRODUCTS 51–270

Automation —	
Commercial Pool & Spa Control Systems ●	51
Commercial IntelliChem ●	53
Acu-Trol Commercial Chemical Controller ●	55
AcuPort Wireless Communication ●	56
AKColor ChemicalController ●	56
Filters —	
THS Series Horizontal Sand Filter ●	90–91
Triton HD Side Mount Filters ●	92
Triton C and C-3 Filter ●	93
SCH 40 & 80 for TR 100C, 140C, 100C-3 & 140C-3 ●	94–95
Heaters & Heat Pumps —	
Commercial PowerMax ●	111–112
Commercial MegaTherm ●	113–115
ADA-Compliant Lifts —	
AquaTRAM Pool Access Lifts ●	164–166
Pumps —	
WhisperFloXF VS 5 HP Pump ●	230–231
Max-E-ProXF VS 5 HP Pump ○	232–233
Commercial Acu-Drive XS ●	234–235
EQ Series Commercial Plastic Pump ●	236–239
C Series Commercial Bronze Pumps ●	240–243
CC/C Series Commercial Pool Pump ○	244–245
CSP/CCSP Series Commercial Pump ○	246–247
5CSP/5CCSP Series Commercial Pump ○	248–249
D-Series Commercial Pool Pump ○	250–251
Aurora 340 and 410 Series Pumps ●	252
Berkeley B-Series Commercial ●	253
Hair and Lint Strainers ●	258
PS Series In-Line Strainer ●	259
Sanitizers —	
Commercial IntelliChlor Salt Chlorinator ●	265
Commercial BioShield UV Sterilizers ●	267–270

REPLACEMENT PARTS DIRECTORY

ABOVEGROUND SYSTEMS

317-330

Clean & Clear Systems	319-320
Predator II Mini-Cellular Media Filter System	321
PLM Filter Systems	322-323
EasyClean Filter Systems	324
PLD Filter Systems	325
Sand Dollar Filter Systems	326-327
Cristal-Flo II Filter Systems	328
Accessories	329

AUTOMATIC POOL CLEANER PARTS

331-372

Pentair Prowler 930, 920, 910	333-335
Pentair Warrior SI, SE, SL	333-335
Kreepy Krauly Prowler 830, 820	336-337
Pentair Racer	338-339
Pentair Racer LS	340-341
Kreepy Krauly Platinum	342-343
Kreepy Krauly Legend.....	344-345
Legend 3-Wheel	346-347
Legend 4-Wheel	348-349
Kreepy Krauly Legend II	350-351
Legend II - LX 2000.....	352-353
Pentair Replacement Parts for Polaris®	354-355
Jet-Vac	356-357
Pentair Rebel	358-359
Kreepy Krauly Warrior	360-361
Pentair Dorado	362
Kreepy Krauly Great White	363
Kreepy Krauly SandShark	364
Kreepy Krauly	365
Kreepy Krauly Kruiser	366-367
Pentair 'Lil Rebel	368
Kreepy Krauly E-Z Vac	369
Kreepy Krauly 'Lil Shark	370-371

AUTOMATION PARTS

373-384

IntelliCenter	374
IntelliTouch	375
EasyTouch	376
SunTouch/SolarTouch	377
Compool	377-379
SpaCommand	379
IntelliChem.....	380-381
IntelliPH	382

FILTER PARTS

385-420

Clean & Clear Filters	386-388
Dynamic Series Filters	389-394
System:3 SM Series Modular Media Filters	395
System:2 PLM Series Modular Media Filters	396
Posi-Clear RP Series Cartridge Filters	397

FILTER PARTS (CONT'D)

EasyClean D.E. Series	398
FNS Plus Filters	399
Quad DE Filters	400
SMBW 4000 Series Filters	401
System:2 PLD Series Modular DE Filters	402
System:2 PLDE Series Modular DE Filters	403
System:3 SD Series DE Filters	404-405
System:3 SMD Series Modular DE Filters	406
Sand Dollar Filters	407-408
Tagelus Filters	409-410
Triton II / Triton HD Filters	411-412
Cristal-Flo II Filters	413
System:3 SS Series Sand Filters	414
Separation Tank	419
Sight Glass	419
Unions	420

HEATERS & HEAT PUMP PARTS

421-474

ETi 400 High Efficiency Heater	422-426
MasterTemp Heater	427-431
MasterTemp 125 Heater	432-436
MiniMax CH Heater	437-441
Heater Exchanger	442
MiniMax Heater Vents and Accessories	443
Air Pressure Switches	444
Burner Orifice Chart for Heaters	445
Max-E-Therm Heater	448-451
Minimax 75 and 100 Heaters	452-453
UltraTemp ETi Heater	462-465
UltraTemp Heat Pump	466-467
ThermalFlo Heat Pump	468-471
MiniMax Plus HP	472-473

LIGHTING

475-490

IntelliBrite Color LED Lights	476-477
IntelliBrite 5g White LED Lights	478
IntelliBrite Color Landscape Lights	479
IntelliBrite Controller	479
GloBrite LED Lights	479
AmerBrite LED Lights	480
AquaLuminator /Quasar.....	481
Amerlite Lights	482
HiLite Lights	482
SpaBrite / AquaLight	483
AquaLumin III Lights	484
AquaLumin and AquaLumin II Lights	484
Fountain Fixtures	485
Junction Boxes	485
Pentair Large Stainless Steel Niches	486
Pentair Small Stainless Steel Niches	487
QuickNiche	487
SwimQuip	488
Plastic Concrete Niches	489

REPLACEMENT PARTS DIRECTORY

MAINTENANCE & SAFETY EQUIPMENT PARTS 491–498

Leaf Traps - Models 179/179C, 180 & 186	492
Clear View Vacuum - Model 196/MiniVac -Model 204 ...	493
ProVac - Models 214R, 222R, 214, 222, 229	494
Super ProVac - Model 241	495
Swivel Wheel Flexible Vacuums - Models 250, 252	495
Vacuum Head Parts	496
Vac-Mate	497

PUMP PARTS 501–558

IntelliFlo/IntelliPro Pump Drive History	502
IntelliFlo VSF & XF VSF Pump	503
IntelliFloXF VS Pump - (After 8/15)	503
IntelliFloXF VS Pump - (Before 8/15).....	504
IntelliFlo VF Pump	505
IntelliFlo VSF Pump	506
IntelliFlo 2 VST Pump	506
IntelliFlo VS Pump (After 2018).....	506
IntelliFlo VS & VS+SVRS Pump (After 6/16)	507
IntelliFlo VS Pump (Before 2019)	508
IntelliFlo VS+SVRS Pump (Before 6/16)	508
IntelliFlo i1 & i2 Pump (After 4/2016)	509
IntelliFlo i1 Pump (Before 4/2016)	510
WhisperFloXF Pump	511–512
WhisperFlo Pump	513–514
Challenger High Flow Pump	515–516
Challenger High Pressure Pump	517–518
SuperFlo VS Pump	519
SuperFlo Pump	520–521
IntelliProXF VSF Pump	522
IntelliProXF VS Pump- (After 8/15)	522
IntelliProXF VS Pump - (Before 8/15)	523
IntelliPro VSF Pump	524
IntelliPro 2 VST Pump	524
IntelliPro VS Pump (After 2018)	524
IntelliPro VS Pump (Before 2019).....	525
IntelliPro VS+SVRS Pump (After 6/16)	526
IntelliPro VS+SVRS Pump (Before 6/16)	527
Max-E-Pro XF Series	528–529
Max-E-Pro Series	530–531
SuperMax VS Pump	532
SuperMax Pump	533
Dyna-Pro / Dyna-Pro E	534
OptiFlo Pumps (Pentair & Sta-Rite).....	535
Dynamo Pumps (Pentair & Sta-Rite)	536
Booster Pumps	551–552
WaterFall Specialty Pump	553
Dyna-Wave Series / Dyna-Jet Series	554–555
PLBC Series	556
Plastic Suction Trap	557

SANITIZER PARTS 559–566

BioShield UV Sterilizer.....	560
Automatic Feeders	561–565
Extensions/Dispensers/Flow Indicators	566

VALVE PARTS 567–584

2- and 3-Way Diverter and Check Valves	568–569
2 in. Top Mount Valves	570
Six-way 1-1/2 in. HiFlow Valves	571
2 in. HiFlow Valves	572
Multiport Valves	573–579
2 in. FullFloXF Backwash Valve	576
FullFlow Valves/Push Pull Valve	580
Slide and Plastic Valves	581–582
Bronze Valves	583

WATER FEATURES PARTS 585–590

Deck Jet & MagicStream Deck Jet II	586
MagicStream Laminars	588
ColorCascade LED Light Bubbler	586
ColorVision LED Light Bubbler	587
WaterFall	588
MagicBowl Water Effects	589

WHITE GOOD PARTS 591–602

Admiral Skimmers	592
Bermuda Skimmers	593
U-3 Skimmers	594
Skimmers for Aboveground Pools	595
HydroSkim Skimmers	596
SkimClean Skimmers	597
Skimmer Lid with Thermometer	597
StarGuard Main Drains	598
Adjustable Floor Inlet Fitting	599
Pool Inlets / Wall Fittings.....	599
Automatic Water Fillers	600
Flowmeters - Made For Liquid Applications	601

COMMERCIAL PRODUCTS 383–550

Automation —	
Commercial IntelliChem.....	383
Filters —	
TR100C & TR140C Filters	415
Triton C-3 Filters	416
SCH 40 & 80 for TR100C & TR140C	417
THS Series Horizontal Sand Filter	418
Heaters & Heat Pump	
PowerMax Heater	446–447
PowerMax Heater (Prior to 07/06).....	454–455
MiniMax Commercial Heaters	456–461
Pumps —	
WhisperFloXF VS 5 HP Pump	537
Max-E-ProXF VS 5 HP Pump	538
EQ Series Commercial Plastic Pump	539–540
C Series Pump	541–542
CF6 Series Pump	543
CFA Series Pump	544
C/CC Series Centrifugal Pump	545–546
CSPH/CCSPH Series Pump	547
D Series Pump	548
Cast Iron / Bronze Suction Trap	549–550

ENGINEERING DATA 603–614

WARRANTY INFORMATION 615–616

REPLACEMENT PART PRICES 617–654

PART NUMBER INDEX 655–680



INFORMATION

1620 Hawkins Ave., Sanford, NC 27330 • (919) 566-8000
10951 W. Los Angeles Avenue, Moorpark, CA 93021 • (805) 553-5000

TERMS AND CONDITIONS

Ordering: To ensure prompt and proper shipment, please order by product number and description. Orders must be placed via fax (877) 606-5457, email: ordereast@pentair.com or EDI. No telephone orders will be accepted. Products and prices are subject to change without notice.

Minimum Order: \$50.00

Terms: All sales are cash with order until credit is established. Merchandise will be invoiced at the prices in effect at the time of shipment. Terms are: Payments 1% 15 days, net 30 days. Term discounts apply only to accounts which are current.

Returns: All returns are subject to our written approval and must be accompanied by "Return Goods Authorization" form or number issued by us prior to returning the material. Unauthorized returns will not be accepted. Freight must be prepaid. (On International Returns Freight must be prepaid (to the door) by the person or entity returning the goods. Customs Duties and Taxes are covered by Pentair and cleared by our appointed Customs Broker, Expeditors International). Do not request authorization to return material for credit which has been in your inventory over sixty (60) days and which is not in original resalable condition. Material authorized to be returned for credit is subject to a minimum 15% handling charge.

Shipments: Any order over \$20,000 (\$3,000 parts only order, excluding motors) shipped at one time to one location in the continental United States will be shipped freight prepaid.

An expedited processing fee of 5% of the total order will be

charged for orders requesting Same Day Shipment.

Shipments (Cont'd): All shipments are Ex Works from the Pentair Shipping Site (EXW for domestic orders, FCA for international), and are subject to product availability.

The following product lines DO NOT qualify for prepaid freight under this \$20,000 prepaid freight order policy. (These items must be purchased under a separate purchase order.)

- Stark™, THS Series® Filters, Manifolds and Controllers
- Commercial Heaters 500,000 BTU and above
- Aurora® and Berkeley® Pumps, PS Series™ In-Line Strainers
- Paragon Deck Equipment
- AcuDrive™ XS Variable Frequency Drives
- Acu-Trol® Blue Labeled Commercial Chemical Controllers
- AquaTRAM® - Access Lifts
- BioShield® UV

The Pentair "Parts Express Program" will remain in place. Call Customer Service for details.

Claims: All claims must be made within fifteen (15) days after receipt of merchandise. See "Lost or Damaged Goods" instructions below.

LOST OR DAMAGED GOODS

IMPORTANT: Our responsibility for any shipment ceases when the carrier signs the Bill of Lading. Thoroughly inspect each shipment immediately upon arrival.

If cartons, packages, or crates are received in short or damaged condition, it is important that you notify the driver and insist on a notation of the loss or damage across the face of the delivery receipt; otherwise, no claim can be enforced against the carrier.

If concealed loss or damage is discovered, you must notify the carrier at once and request an inspection. It is also important that you do not discard the shipping carton or container. A concealed damage report must be made within five (5) days of delivery of the shipment. If this is not done, the carrier will not entertain any claim for the loss. The carrier agent will make an inspection and usually will grant a concealed damage notation. If you give the carrier a clear receipt for the goods that have been damaged in transit, you do so at your own risk and expense.

We are willing to assist you in every possible manner to collect claims for loss or damage, but our willingness does not make us responsible for collection of claims or replacement of material.

FOR INFORMATION OR ASSISTANCE CONTACT:

Pentair Customer Service Department

(800) 831-7133 • fax (877) 606-5457 – U.S.A.

Sanford (919) 566-8000

(919) 566-8916 – International Department Fax

Moorpark (805) 553-5000

(805) 530-0177 – International Department Fax

DISCLAIMER

All content in this publication is based on information available at the time of printing. Pentair Water Pool and Spa, Inc. reserves the right to make changes at any time, without prior notice, to product specifications, part numbers, pricing, warranty terms, and to discontinue product or product components.

10/19 ©2019 Pentair Water Pool and Spa, Inc. All rights reserved.



ABOVEGROUND SYSTEMS



CLEAN AND CLEAR® FILTER SYSTEMS

ABOVEGROUND CARTRIDGE POOL SYSTEMS

Clean & Clear Filter System



The Clean & Clear Filter System pairs the OptiFlo® Pump with the Clean & Clear Cartridge Filter, a high quality filtration unit using a thermoplastic chemical-resistant tank. All models are equipped with easy spin-on unions for plumbing hookups.

CALIFORNIA PROPOSITION 65 WARNING
 ⚠️ **WARNING:** Cancer and Reproductive Harm.
 ⚠️ **AVERTISSEMENT:** Peut Causer le Cancer et des Dommages au Système Reproducteur.
 ⚠️ **ADVERTENCIA:** Cáncer y Daño Reproductivo.
www.p65warnings.ca.gov PN20214

Featured Highlights

- Unionized pump and filter connections
- Integrated continuous High Flow™ Internal Air Relief¹
- Lock ring with spring-loaded safety latches
- Coreless media for easy cleaning
- High Flow manual air relief valve
- 1-inch drain and wash out
- Single piece base and body design

Ordering Information

Product	Pump HP	Pump Cord	Hose Kit (Ft.)	Effective Filtration Area (Sq. Ft.)	Flow ² Rate (GPM)	Turnover Capacity (In Gallons) ²			Tank Diameter (In.)	Tank Height (In.)
						8 Hour	10 Hour	12 Hour		
CLEAN AND CLEAR SYSTEM										
PNCC0050D1160	3/4	3 ft. STD	6	50	50	24,000	30,000	36,000	15-1/2	18
PNCC0050OE1160	1	3 ft. STD	6	50	50	24,000	30,000	36,000	15-1/2	18
PNCC0075OE1160	1	3 ft. STD	6	75	75	36,000	45,000	54,000	15-1/2	25-1/2
PNCC0075OE1260	1	3 ft. TWL	6	75	75	36,000	45,000	54,000	15-1/2	25-1/2
PNCC0100OE1160	1	3 ft. STD	6	100	100	48,000	60,000	72,000	15-1/2	33
PNCC0100OF1160	1-1/2	3 ft. STD	6	100	100	48,000	60,000	72,000	15-1/2	33
PNCC0100OF1260	1-1/2	3 ft. TWL	6	100	100	48,000	60,000	72,000	15-1/2	33
PNCC0100OF2160	1-1/2 *	3 ft. STD	6	100	100	48,000	60,000	72,000	15-1/2	33
PNCC0100OF2260	1-1/2 *	3 ft. TWL	6	100	100	48,000	60,000	72,000	15-1/2	33
PNCC0100OO1160	1-1/2	3 ft. STD	6	100	100	48,000	60,000	72,000	15-1/2	33
PNCC0100OO1260	1-1/2	3 ft. TWL	6	100	100	48,000	60,000	72,000	15-1/2	33
PNCC0100OO2160	1-1/2*	3 ft. STD	6	100	100	48,000	60,000	72,000	15-1/2	33
PNCC0100OO2260	1-1/2*	3 ft. TWL	6	100	100	48,000	60,000	72,000	15-1/2	33
PNCC0125OF1160	1-1/2	3 ft. STD	6	125	125	60,000	75,000	90,000	15-1/2	33
PNCC0150OF1160	1-1/2	3 ft. STD	6	150	150	72,000	90,000	108,000	15-1/2	40-1/2
PNCC0150OF1260	1-1/2	3 ft. TWL	6	150	150	72,000	90,000	108,000	15-1/2	40-1/2
PNCC0150OF2160	1-1/2 *	3 ft. STD	6	150	150	72,000	90,000	108,000	15-1/2	40-1/2
PNCC0150OF2260	1-1/2 *	3 ft. TWL	6	150	150	72,000	90,000	108,000	15-1/2	40-1/2
PNCC0150OP1160	2	3 ft. STD	6	150	150	72,000	90,000	108,000	15-1/2	40-1/2
PNCC0150OP1260	2	3 ft. TWL	6	150	150	72,000	90,000	108,000	15-1/2	40-1/2
PNCC0150OP2160	2*	3 ft. STD	6	150	150	72,000	90,000	108,000	15-1/2	40-1/2
PNCC0150OP2260	2*	3 ft. TWL	6	150	150	72,000	90,000	108,000	15-1/2	40-1/2
PNCC0175OF1160	1-1/2	3 ft. STD	6	175	150	72,000	90,000	108,000	15-1/2	40-1/2
PNCC0200OP1160	2	3 ft. STD	6	200	150	72,000	90,000	108,000	15-1/2	40-1/2
ACCESSORIES										
PNBKCCWROXXX0	Base Kit with pump to filter connection for Clean & Clear and Optiflo Pump									

* 2 Speed Pump.

¹ Integrated continuous High Flow internal air relief is operational only when there is unobstructed flow in the circulating system.

² Flow Rate and Turnover Capacity based on Filter.

Dimensions and Performance

Clean & Clear Filter



OptiFlo Pump



See pages 319 for replacement parts.

PREDATOR™ II MINI-CELLULAR MEDIA FILTER SYSTEM

ABOVEGROUND CARTRIDGE POOL SYSTEM

Featured Highlights

- Predator II Mini-Cellular Media System for small aboveground pools
- Proven aboveground pump

The Predator II Mini-Cellular Media System offers a smaller 25 sq. ft. filter and 40 GPM pump without pot.

CALIFORNIA PROPOSITION 65 WARNING

⚠ **WARNING:** Cancer and Reproductive Harm.
 ⚠ **AVERTISSEMENT:** Peut Causer le Cancer et des Dommages au Système Reproducteur.
 ⚠ **ADVERTENCIA:** Cáncer y Daño Reproductivo.
www.p65warnings.ca.gov PK20214



Predator II Mini-Cellular Media Filter System

Ordering Information

Product	Tank Diameter (In.)	Effective Filtration Area (Sq. Ft.)	Flow Rate (GPM)	Turnover Capacity (In Gallons)			Carton Wt. (Lbs.)
				8 Hour	10 Hour	12 Hour	
PREDATOR II MINI-CELLULAR MEDIA FILTER SYSTEM							
56224800	15	25	40	19,200	24,000	28,800	50

Dimensions and Performance



See page 321 for replacement parts.

PLM SERIES FILTER SYSTEMS

ABOVEGROUND MODULAR MEDIA FILTER SYSTEM



TRADEGRADE



PLM Series Systems shown with OptiFlo® Pump

Featured Highlights

- Compact Design – Fits easily in tight installations. Sleek-looking in matte black finish.
- Easy Access – The Posi-Lok™ Locking Ring is easy to use. Split-tank design permits rinse-in-place cleaning.
- Superior Dirt Loading – Flow-balanced tank hydraulics direct water through each side of filter module. Uniform dirt-loading prevents clogging.
- Easy Reading – Information panels and top-mounted pressure gauge are positioned for easy reading
- Power Options – 1 to 1-1/2 HP OptiFlo

Convenience and virtually maintenance-free operation make this aboveground system a smart choice. Featuring Sta-Rite's modular media technology, these systems handle dirt loads of up to 15 times more than sand filters of equivalent size. Available with rugged, large-capacity OptiFlo Series pump.

CALIFORNIA PROPOSITION 65 WARNING

⚠️ **WARNING:** Cancer and Reproductive Harm.
 ⚠️ **AVERTISSEMENT:** Peut Causer le Cancer et des Dommages au Système Reproducteur.
 ⚠️ **ADVERTENCIA:** Cáncer y Daño Reproductivo.

www.p65warnings.ca.gov PH.002114

Ordering Information

Product	Pump HP	Pump Cord	Hose Kit (Ft.)	Effective Filtration Area (Sq. Ft.)	Flow ¹ Rate (GPM)	Turnover Capacity (In Gallons) ¹			Tank Diameter (In.)	Tank Height (In.)
						8 Hour	10 Hour	12 Hour		
PLM SERIES FILTER SYSTEMS										
SRPLM100OE1160	1	3 ft. STD	6	100	100	48,000	60,000	72,000	15	28
SRPLM100OE1260	1	3 ft. TWL	6	100	100	48,000	60,000	72,000	15	28
SRPLM100OF1160	1-1/2	3 ft. STD	6	100	100	48,000	60,000	72,000	15	28
SRPLM100OF1260	1-1/2	3 ft. TWL	6	100	100	48,000	60,000	72,000	15	28
SRPLM150OE1160	1	3 ft. STD	6	150	150	72,000	90,000	108,000	15	28
SRPLM150OE1260	1	3 ft. TWL	6	150	150	72,000	90,000	108,000	15	28
SRPLM150OF1160	1-1/2	3 ft. STD	6	150	150	72,000	90,000	108,000	15	28
SRPLM100OE13X0	1	25 ft. STD	N/A	100	100	48,000	60,000	72,000	15	28
SRPLM150OF13X0	1-1/2	25 ft. STD	N/A	150	150	72,000	90,000	108,000	15	28
SRPLM200OP2260	2	3 ft. TWL	6	200	200	72,000	90,000	108,000	15	28

¹ Flow Rate and Turnover Capacity based on Filter.

Note: Operating Limits – designed for maximum continual working pressure of 50 PSI. Water temperature maximum 104°F (40°C).

Dimensions and Performance

OptiFlo Pump



OptiFlo Pump



PLM Filter



Certified to NSF/ANSI Standard 50

See page 322 for replacement parts.

PLD SERIES FILTER SYSTEMS

ABOVEGROUND MODULAR D.E. FILTER SYSTEM



Featured Highlights

- Easy-Open Convenience – The Posi-Lok™ Locking Ring provides easy access for seasonal cleaning. Simply unscrew the ring and lift.
- Holds More Dirt – The modular-design filters incorporate a balanced-flow tank design that directs water through both sides of the modules, using every inch of its pleated surface
- Ready to Go – Complete system includes the Mod D.E. filter and a performance-matched pump that's ready for easy assembly on a tool-free platform

TRADEGRADE



PLD Series Systems shown with OptiFlo® Pump

Sta-Rite combines outstanding water purity and carefree operation in a system package. Evolution of the proven modular media technology delivers D.E. filtration in a simple, one-piece module design. Available with rugged, large-capacity OptiFlo Series pump.

Ordering Information

Product	Pump HP	Pump Cord	Hose Kit (Ft.)	Effective Filtration Area (Sq. Ft.)	Flow ¹ Rate (GPM)	Turnover Capacity (In Gallons) ¹			D.E. Required (Lbs.)	Tank Diameter (In.)	Tank Height (In.)
						8 Hour	10 Hour	12 Hour			
PLD SERIES FILTER SYSTEMS											
SRPLD050OE1160	1	3 ft. STD	6	30	60	29,000	36,000	43,000	6	15	28
SRPLD050OE1260	1	3 ft. TWL	6	30	60	29,000	36,000	43,000	6	15	28
SRPLD050OF2161	1-1/2	3 ft. STD	6	30	90	45,200	54,000	64,800	6	15	28

¹ Flow Rate and Turnover Capacity based on Filter.

Note: Operating Limits – designed for maximum continual working pressure of 50 PSI. Water temperature maximum 104°F (40°C). D.E. required: 6 lbs.

Dimensions and Performance

PLD Filter



OptiFlo Pump



CALIFORNIA PROPOSITION 65 WARNING
 ⚠️ **WARNING:** Cancer and Reproductive Harm.
 ⚠️ **AVERTISSEMENT:** Peut Causer le Cancer et des Dommages au Système Reproducteur.
 ⚠️ **ADVERTENCIA:** Cáncer y Daño Reproductivo.
www.p65warnings.ca.gov P65-2015-14

See page 325 for replacement parts.

EASYSYSTEM™ D.E. FILTER SYSTEMS

ABOVEGROUND D.E. POOL SYSTEMS



EasyClean D.E. Filter System

The EasyClean D.E. Filter System pairs the OptiFlo® Pump with the EasyClean D.E. Filter to create this high performance system for aboveground pools. Rugged, efficient and simple to operate. The EasyClean D.E. Filter System comes in a variety of sizes and horsepower to suit any aboveground pool configuration.

Featured Highlights

- Removable cartridge-style D.E. element for quick, convenient cleaning
- Automatically regenerates D.E. media during off cycle and start-up
- High Flow™ Manual Air Relief valve and continuous internal air relief work together to help eliminate air accumulation and maintain optimum filtration efficiency in single and two-speed models ¹
- Filter lock ring allows for quick and easy servicing

CALIFORNIA PROPOSITION 65 WARNING

⚠ **WARNING:** Cancer and Reproductive Harm.
 ⚠ **AVERTISSEMENT:** Peut Causer le Cancer et des Dommages au Système Reproducteur.
 ⚠ **ADVERTENCIA:** Cáncer y Daño Reproductivo.
www.p65warnings.ca.gov PNE0014

Ordering Information

Product	Pump HP	Pump Cord	Hose Kit (Ft.)	Effective Filtration Area (Sq. Ft.)	Flow ¹ Rate (GPM)	Turnover Capacity (In Gallons) ²			D.E. Required (Lbs.)	Tank Diameter (In.)	Tank Height (In.)
						8 Hour	10 Hour	12 Hour			
EASYSYSTEM FILTER SYSTEMS											
PNEC0060OE1160	1	3 ft. STD	6	15	60	28,800	36,000	43,200	1-1/2	15-1/2	25-1/2
PNEC0060OE1260	1	3 ft. TWL	6	15	60	28,800	36,000	43,200	1-1/2	15-1/2	25-1/2
PNEC0060OE2160	1 *	3 ft. STD	6	15	60	28,800	36,000	43,200	1-1/2	15-1/2	25-1/2
PNEC0060OE2260	1 *	3 ft. TWL	6	15	60	28,800	36,000	43,200	1-1/2	15-1/2	25-1/2
PNEC0090OF1160	1-1/2	3 ft. STD	6	30	90	43,200	54,000	64,800	3	15-1/2	40-1/2
PNEC0090OF1260	1-1/2	3 ft. TWL	6	30	90	43,200	54,000	64,800	3	15-1/2	40-1/2
PNEC0090OF2160	1-1/2 *	3 ft. STD	6	30	90	43,200	54,000	64,800	3	15-1/2	40-1/2
PNEC0090OF2260	1-1/2 *	3 ft. TWL	6	30	90	43,200	54,000	64,800	3	15-1/2	40-1/2

* 2 Speed Pump.

¹ Integrated continuous High Flow internal air relief is operational only when there is unobstructed flow in the circulating system.

² Flow Rate and Turnover Capacity based on Filter.

Dimensions and Performance

OptiFlo Pump



See page 324 for replacement parts.

SAND DOLLAR® FILTER SYSTEMS

SAND FILTER SYSTEM WITH BLOW-MOLDED TANK

Featured Highlights

- Six-position 1-1/2 in. multiport valve
- Self-priming Dynamo® Pumps in 3/4, 1, 1-1/2 and 2 HP ratings
- Our innovative process creates a one-piece, non-corrosive tank of superior strength and durability even in the most demanding of applications
- Combination water and sand drain makes servicing and winterizing fast and easy
- Unionized Pump to Filter connection



Sand Dollar Filter System

Our blow-molded process creates a one piece, non-corrosive tank of unequaled strength and durability. This pump and filter system provides excellent performance at an affordable price.

CALIFORNIA PROPOSITION 65 WARNING
 ⚠️ **WARNING:** Cancer and Reproductive Harm.
 ⚠️ **AVERTISSEMENT:** Peut Causer le Cancer et des Dommages au Système Reproducteur.
 ⚠️ **ADVERTENCIA:** Cáncer y Daño Reproductivo.
www.p65warnings.ca.gov PWS 00154

Ordering Information

Product	Pump HP	Pump Cord	Hose Kit (Ft.)	Effective Filtration Area (Sq. Ft.)	Flow ¹ Rate (GPM)	Turnover Capacity (In Gallons) ¹			Sand Required (Lbs.)	Tank Diameter (In.)	Tank Height (In.)
						8 Hour	10 Hour	12 Hour			
SAND DOLLAR FILTER SYSTEMS											
PNSD0035DD1160	3/4	3 ft. STD	6	1.4	35	16,800	21,000	25,200	100	16	28-1/2
PNSD0035DD11X0	3/4	3 ft. STD	N/A	1.4	35	16,800	21,000	25,200	100	16	28-1/2
PNSD0035DE1160	1	3 ft. STD	6	1.4	35	16,800	21,000	25,200	100	16	28-1/2
PNSD0035DE2160	1 *	3 ft. STD	6	1.4	35	16,800	21,000	25,200	100	16	28-1/2
PNSD0040DE1160	1	3 ft. STD	6	1.8	40	19,200	24,000	28,800	150	19	34
PNSD0040DE11X0	1	3 ft. STD	N/A	1.8	40	19,200	24,000	28,800	150	19	34
PNSD0040DE1260	1	3 ft. TWL	6	1.8	40	19,200	24,000	28,800	150	19	34
PNSD0040DO1160	1-1/2	3 ft. STD	6	1.8	40	19,200	24,000	28,800	150	19	34
PNSD0040DO11X0	1-1/2	3 ft. STD	N/A	1.8	40	19,200	24,000	28,800	150	19	34
PNSD0040DO1260	1-1/2	3 ft. TWL	6	1.8	40	19,200	24,000	28,800	150	19	34
PNSD0040DO2160	1-1/2 *	3 ft. STD	6	1.8	40	19,200	24,000	28,800	150	19	34
PNSD0060DO1160	1-1/2	3 ft. STD	6	2.3	60	28,800	36,000	43,200	250	22	35-1/2
PNSD0060DO11X0	1-1/2	3 ft. STD	N/A	2.3	60	28,800	36,000	43,200	250	22	35-1/2
PNSD0060DO1260	1-1/2	3 ft. TWL	6	2.3	60	28,800	36,000	43,200	250	22	35-1/2
PNSD0060DO2260	1-1/2 *	3 ft. TWL	6	2.3	60	28,800	36,000	43,200	250	22	35-1/2
PNSD0060DP1160	2	3 ft. STD	6	2.3	60	28,800	36,000	43,200	250	22	35-1/2
PNSD0060DP2160	2 *	3 ft. STD	6	2.3	60	28,800	36,000	43,200	250	22	35-1/2

* 2 Speed Pump.

¹ Flow Rate and Turnover Capacity based on Filter.

Dimensions and Performance



See pages 326 for replacement parts.

CRISTAL-FLO™ II FILTER SYSTEMS

ABOVEGROUND SAND FILTER SYSTEM



TRADEGRADE



Cristal-Flo II Filter System shown with Dynamo® Pump

Featured Highlights

- Less Maintenance – Enjoy greater time between cleanings. The tank’s sophisticated design distributes water evenly to maximize efficiency throughout filtration media.
- One-piece polyethylene tank will never corrode
- Multi-port valve selector activates backwashing action with one quick turn
- Easy-to-read top-mounted pressure gauge
- Unionized pump to filter connection allows for easy installation and servicing

Easy-maintenance sand filter system with the rugged, large capacity Dynamo Series pump. Low maintenance and simple installation make this system the choice for many applications.

Ordering Information

Product	Pump HP	Pump Cord	Hose Kit (Ft.)	Effective Filtration Area (Sq. Ft.)	Flow ¹ Rate (GPM)	Turnover Capacity (In Gallons) ¹			Sand Required (Lbs.)	Tank Diameter (In.)	Tank Height (In.)
						8 Hour	10 Hour	12 Hour			
CRISTAL-FLO II FILTER SYSTEMS											
SRCF2016DN1160	1	3 ft. STD	6	1.4	35	16,800	21,000	25,200	100	16	28-1/2
SRCF2019DD1260	3/4	3 ft. TWL	6	1.8	40	19,200	24,000	28,800	150	19	34
SRCF2019DE1160	1	3 ft. STD	6	1.8	40	19,200	24,000	28,800	150	19	34
SRCF2019DE1260	1	3 ft. TWL	6	1.8	40	19,200	24,000	28,800	150	19	34
SRCF2019DN1160	1	3 ft. STD	6	1.8	40	19,200	24,000	28,800	150	19	34
SRCF2019DO1160	1-1/2	3 ft. STD	6	1.8	40	19,200	24,000	28,800	150	19	34
SRCF2019DO1260	1-1/2	3 ft. TWL	6	1.8	40	19,200	24,000	28,800	150	19	34
SRCF2022DE1260	1	3 ft. TWL	6	2.3	60	28,800	36,000	43,200	250	22	35-1/2
SRCF2022DF1260	1-1/2	3 ft. TWL	6	2.3	60	28,800	36,000	43,200	250	22	35-1/2
SRCF2022DO1160	1-1/2	3 ft. STD	6	2.3	60	28,800	36,000	43,200	250	22	35-1/2
SRCF2022DO1260	1-1/2	3 ft. TWL	6	2.3	60	28,800	36,000	43,200	250	22	35-1/2
SRCF2022DO2160	1-1/2*	3 ft. STD	6	2.3	60	28,800	36,000	43,200	250	22	35-1/2

* 2 Speed Pump.

¹ Flow Rate and Turnover Capacity based on Filter.

Note: Operating Limits – designed for maximum continual working pressure of 35 PSI.

Dimensions and Performance

Dynamo Pump



CALIFORNIA PROPOSITION 65 WARNING

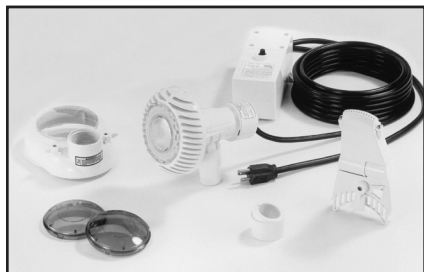
⚠ **WARNING:** Cancer and Reproductive Harm.
 ⚠ **AVERTISSEMENT:** Peut Causer le Cancer et des Dommages au Système Reproducteur.
 ⚠ **ADVERTENCIA:** Cáncer y Daño Reproductivo.

www.p65warnings.ca.gov. P1828114

ACCESSORIES

FOR ABOVEGROUND SYSTEMS

We recommend the use of GFCI with all aboveground systems equipment.



AquaLuminator 98600000



3 ft. Twist Lock cord 155234



6 ft. Hose Kit 155151
12 ft. Hose Kit 155005



Sand Vac 542090

Product	Description
ACCESSORIES	
79137800	3 ft. Standard cord
155234	3 ft. cord with twist lock
155151	1-1/2 in. x 6 ft. hose kit, (to and from pool)
155005	1-1/2 in. x 12 ft. hose kit, (to and from pool)
150046	Hose adapter 1-1/2 in. NPT with Chlorinator connector
542413	Aboveground wall fitting 1-1/2 THD x 1-1/2 THD-white
542414	Aboveground wall fitting 1-1/2 THD x 1-1/2 socket-white
98600000	AquaLuminator aboveground light
98610002	AquaLuminator aboveground light - (Canada CSA) certified
K50600	Kreepy Krauly E-Z Vac Pool Cleaner
360100	Kreepy Krauly 'Lil Shark Pool Cleaner
360321	Kreepy Krauly 910 Robotic Aboveground Cleaner
542090	Sand Vac - empties a sand filter in 10 min for repair, refilling or removal
R171016	300 Series Off-Line Chlorinator Feeder
98605300	Quasar Non-Return Light
79203100	Adapter to connect AquaLuminator to cleaner
79100000Z	Fountain attachment, fits all AquaLuminator models
79202900	Hard plumbing adapter

300 Series Chlorinator/Feeder R171016

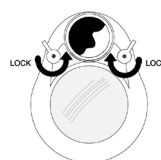


CALIFORNIA PROPOSITION 65 WARNING
 ⚠️ **WARNING:** Cancer and Reproductive Harm.
 ⚠️ **AVERTISSEMENT:** Peut Causer le Cancer et des Dommages au Système Reproducteur.
 ⚠️ **ADVERTENCIA:** Cáncer y Daño Reproductivo.
www.p65warnings.ca.gov P182017A

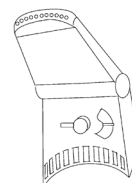
Quasar Non-return light for Aboveground Pools 98605300



Hard Plumbing Adapter



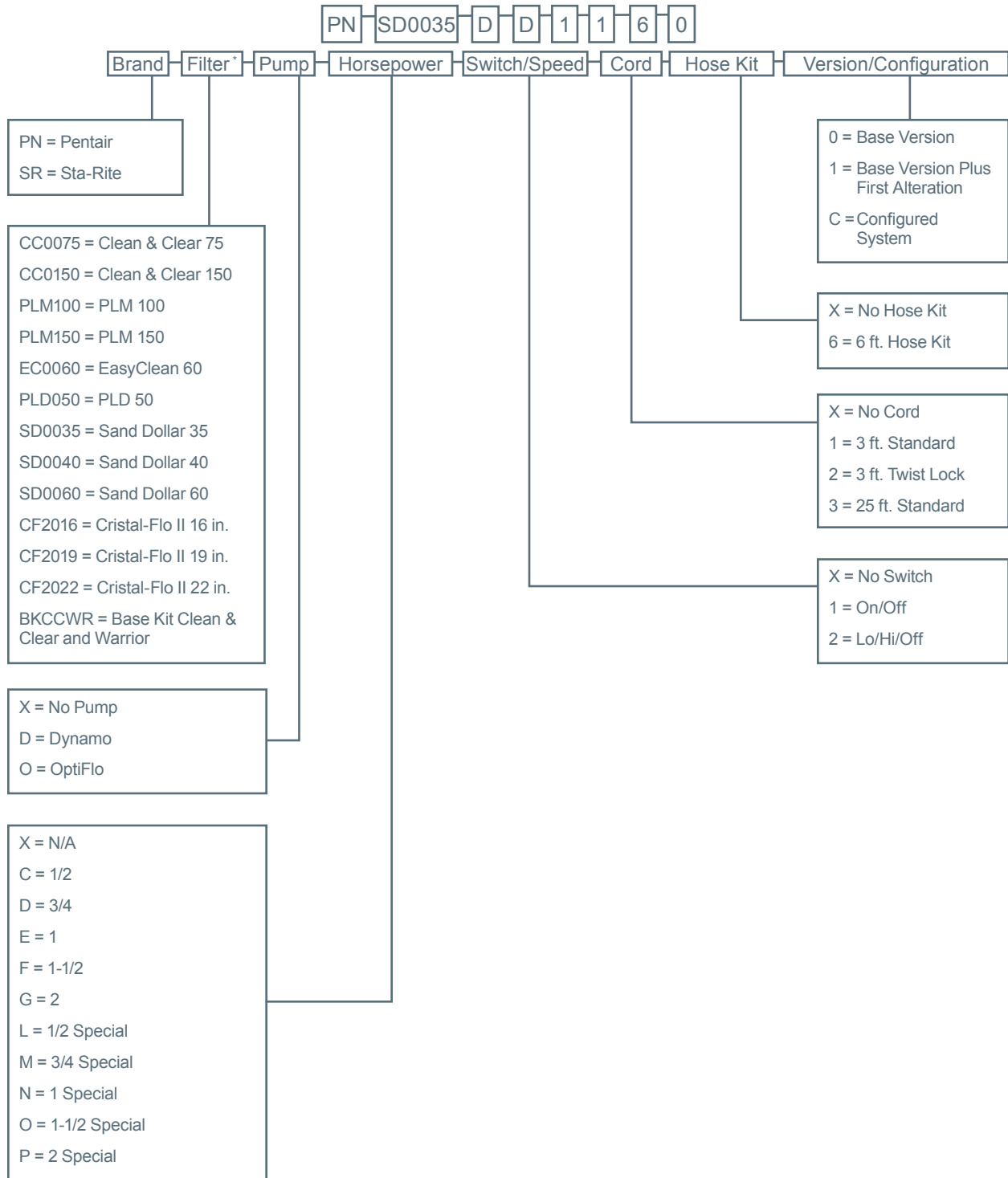
Pressure Cleaner Adapter



Fountain Attachment

PART NUMBERING SCHEME FOR ABOVEGROUND SYSTEMS

ex. PNSD0035DD1160



* Filter list may not represent all available types and sizes.



AUTOMATIC POOL CLEANERS

PENTAIR PROWLER® 930

ROBOTIC INGROUND POOL CLEANER

TRADEGRADE



Pentair Prowler 930

Command cleaning schedules and cleaning modes from the Prowler 930 Power Supply. Our easy-to-use app lets you operate the cleaner from the convenience of your smart phone. For quick spot clean-ups, you can manually "drive" the cleaner to areas of concentrated debris for fast removal.



Powered by Dolphin



Featured Highlights

- Ultimate convenience with smart device control featuring *Bluetooth®* wireless technology
- All-surface deep cleaning using a powerful, high-speed scrubbing brush
- Programmable daily cleaning schedules with built-in weekly timer, including fast clean mode
- Dual-level filtration with top access basket captures both large and ultra-fine debris
- Robust storage caddy for increased mobility and easy storage

CALIFORNIA PROPOSITION 65 WARNING
 ⚠️ **WARNING:** Cancer and Reproductive Harm.
 ⚠️ **AVERTISSEMENT:** Peut Causer le Cancer et des Dommages au Système Reproducteur.
 ⚠️ **ADVERTENCIA:** Cáncer y Daño Reproductivo.
www.p65warnings.ca.gov PN 201714

See page 333 for replacement parts.

Ordering Information

Product	Description	Carton Qty.	Carton Wt. (Lbs.)
PENTAIR PROWLER 930 ROBOTIC CLEANER			
360323	Prowler 930 Robotic Inground Pool Cleaner w/ App for Remote Control	1	40

THE BLUETOOTH® WORD MARK AND LOGOS ARE REGISTERED TRADEMARKS OWNED BY THE BLUETOOTH SIG, INC. AND ANY USE OF SUCH MARKS BY PENTAIR WATER POOL AND SPA, INC. IS UNDER LICENSE. OTHER TRADEMARKS AND TRADE NAMES ARE THOSE OF THEIR RESPECTIVE OWNERS.

PENTAIR PROWLER® 920

ROBOTIC INGROUND POOL CLEANER

TRADEGRADE



Pentair Prowler 920

Pool walls and floor get deep-scrubbing and powerful vacuuming action, all the way up to the tile line. Prowler 920 comes with separate mesh baskets made for either large or fine debris, to customize the filtration level or do lightning-fast swap out for touchups.



Powered by Dolphin



Featured Highlights

- All-surface deep cleaning with a powerful, high-speed scrubbing brush
- Fast and easy debris removal with a top access filtration basket
- Select from a large or fine debris filtration cartridges
- Programmable daily cleaning schedules with a built-in weekly timer

CALIFORNIA PROPOSITION 65 WARNING
 ⚠️ **WARNING:** Cancer and Reproductive Harm.
 ⚠️ **AVERTISSEMENT:** Peut Causer le Cancer et des Dommages au Système Reproducteur.
 ⚠️ **ADVERTENCIA:** Cáncer y Daño Reproductivo.
www.p65warnings.ca.gov PN 201714

Ordering Information

Product	Description	Carton Qty.	Carton Wt. (Lbs.)
PENTAIR PROWLER 920 ROBOTIC CLEANER			
360322	Prowler 920 Robotic Inground Pool Cleaner	1	29

See page 334 for replacement parts.

PENTAIR PROWLER® 910

ROBOTIC ABOVEGROUND POOL CLEANER

TRADEGRADE



Featured Highlights

- Powerful, high-speed scrubbing brush provides ultimate cleaning power
- Fast and easy debris removal with a top access filtration basket
- Durable 40-ft power cord

Just plug it in and watch as Prowler 910 makes fast work of dirt. Its deep-scrubbing and powerful vacuuming action effortlessly captures large and fine debris, depositing it into a self-contained, fine-mesh basket.



Pentair Prowler 910



Powered by Dolphin



CALIFORNIA PROPOSITION 65 WARNING

⚠️ **WARNING:** Cancer and Reproductive Harm.
 ⚠️ **AVERTISSEMENT:** Peut Causer le Cancer et des Dommages au Système Reproducteur.
 ⚠️ **ADVERTENCIA:** Cáncer y Daño Reproductivo.
www.p65warnings.ca.gov

Ordering Information

Product	Description	Carton Qty.	Carton Wt. (Lbs.)
PENTAIR PROWLER 910 ROBOTIC CLEANER			
360321	Prowler 910 Robotic Aboveground Pool Cleaner	1	27

See page 335 for replacement parts.



PENTAIR WARRIOR® SI ROBOTIC INGROUND POOL CLEANER



Warrior SI Robotic Cleaner
Powered by Dolphin



Our easy-to-use app lets you operate the cleaner from the convenience of your smart phone. For quick spot clean-ups, you can manually "drive" the cleaner to areas of concentrated debris for fast removal.



CALIFORNIA PROPOSITION 65 WARNING

⚠ **WARNING:** Cancer and Reproductive Harm.
 ⚠ **AVERTISSEMENT:** Peut Causer le Cancer et des Dommages au Système Reproducteur.
 ⚠ **ADVERTENCIA:** Cáncer y Daño Reproductivo.
www.p65warnings.ca.gov

Featured Highlights

- Ultimate control and convenience with Bluetooth® wireless technology enabled smart device control
- Programmable daily cleaning schedules with built-in weekly timer, including fast clean mode
- Powerful, high-speed scrubbing brush provides ultimate cleaning power
- Dual-level filtration with top access basket captures both large and ultra-fine debris

Ordering Information

See page 333 for replacement parts.

Product	Description	Carton Qty.	Carton Wt. (Lbs.)
WARRIOR SI ROBOTIC INGROUND CLEANER			
360495	Warrior SI Robotic Inground Pool Cleaner w/ App for Remote Control	1	40

THE BLUETOOTH® WORD MARK AND LOGOS ARE REGISTERED TRADEMARKS OWNED BY THE BLUETOOTH SIG, INC. AND ANY USE OF SUCH MARKS BY PENTAIR WATER POOL AND SPA, INC. IS UNDER LICENSE. OTHER TRADEMARKS AND TRADE NAMES ARE THOSE OF THEIR RESPECTIVE OWNERS.

PENTAIR WARRIOR® SE ROBOTIC INGROUND POOL CLEANER



Warrior SE Robotic Cleaner
Powered by Dolphin



Remarkably easy to use. Robotic cleaners provide thorough cleaning coverage of the pool floor and walls, with high-speed rotary scrubbing action. Powered independently by low-voltage electricity, they don't rely on the pool pump or booster pump to operate, thus energy costs are lower.



CALIFORNIA PROPOSITION 65 WARNING

⚠ **WARNING:** Cancer and Reproductive Harm.
 ⚠ **AVERTISSEMENT:** Peut Causer le Cancer et des Dommages au Système Reproducteur.
 ⚠ **ADVERTENCIA:** Cáncer y Daño Reproductivo.
www.p65warnings.ca.gov

Featured Highlights

- All-surface deep cleaning with a powerful, high-speed scrubbing brush
- Fast and easy debris removal with a top access filtration basket
- Select from a large or fine debris filtration cartridges
- Programmable daily cleaning schedules with a built-in weekly timer

Ordering Information

See page 334 for replacement parts.

Product	Description	Carton Qty.	Carton Wt. (Lbs.)
WARRIOR SE ROBOTIC INGROUND CLEANER			
360494	Warrior SE Robotic Inground Pool Cleaner	1	29

PENTAIR WARRIOR® SL

ROBOTIC ABOVEGROUND POOL CLEANER

Featured Highlights

- High-speed scrubbing provides the ultimate deep clean for aboveground pools
- For pools up to 40 ft. long
- Fast and easy debris removal with a top access filtration basket

Remarkably easy to use. Robotic cleaners provide thorough cleaning coverage of the pool floor and walls, with high-speed rotary scrubbing action. Powered independently by low-voltage electricity, they don't rely on the pool pump or booster pump to operate, thus energy costs are lower.



Warrior SL Robotic Cleaner
Powered by Dolphin



CALIFORNIA PROPOSITION 65 WARNING
 ⚠️ **WARNING:** Cancer and Reproductive Harm.
 ⚠️ **AVERTISSEMENT:** Peut Causer le Cancer et des Dommages au Système Reproducteur.
 ⚠️ **ADVERTENCIA:** Cáncer y Daño Reproductivo.
www.p65warnings.ca.gov P820731A

Ordering Information

Product	Description	Carton Qty.	Carton Wt. (Lbs.)
WARRIOR SL ROBOTIC ABOVEGROUND CLEANER			
360493	Warrior SL Robotic Aboveground Pool Cleaner	1	

See page 335 for replacement parts.

PENTAIR RACER®

PRESSURE-SIDE INGROUND POOL CLEANER

Featured Highlights

- Nearly 1/3 more cleaning power and 40% larger intake than other pressure-side cleaners—leaves no debris behind
- Front rotating brush scrubs and scours for a deep and detailed clean
- Wide tires for steady traction
- Cleans continuously in forward and reverse modes for complete uninterrupted coverage
- Ultra-bright LED lights illuminate and enhance nighttime cleaning
- Quick and easy to use and maintain — innovative design makes servicing easy

Pentair Racer Pressure-Side Inground Pool Cleaner has nearly 1/3 more cleaning power and 40% larger intake than other pressure-side cleaners. It is quick and simple to use — just attach the dedicated pressure line and it goes to work. It also has an adjustable flow gauge to regulate the Racer cleaner's speed for even greater control. The Night Cruize® LED Lights offer pool illumination for after-dark clean up. Racer has four venturis, a built-in rotating brush and the industry's largest vacuum tube — 40% larger intake than other pressure-side cleaners for more powerful cleaning.



Pentair Racer

CALIFORNIA PROPOSITION 65 WARNING
 ⚠️ **WARNING:** Cancer and Reproductive Harm.
 ⚠️ **AVERTISSEMENT:** Peut Causer le Cancer et des Dommages au Système Reproducteur.
 ⚠️ **ADVERTENCIA:** Cáncer y Daño Reproductivo.
www.p65warnings.ca.gov P820731A

Ordering Information

Product	Description	Carton Qty.	Carton Wt. (Lbs.)
PENTAIR RACER PRESSURE-SIDE CLEANER			
360228	Racer Pressure-Side Inground Pool Cleaner	1	22.5

See page 338-339 for replacement parts.

PENTAIR RACER® LS

PRESSURE-SIDE INGROUND POOL CLEANER

TRADEGRADE



Pentair Racer LS

Pentair Racer LS has 25% more cleaning power than other pressure-side inground pool cleaners. It is built for superior vacuum performance that provides maximum debris removal. Quad-jet vacuum technology gives you more cleaning power for a brighter, cleaner pool.

CALIFORNIA PROPOSITION 65 WARNING

⚠ **WARNING:** Cancer and Reproductive Harm.
 ⚠ **AVERTISSEMENT:** Peut Causer le Cancer et des Dommages au Système Reproducteur.
 ⚠ **ADVERTENCIA:** Cáncer y Daño Reproductivo.
www.p65warnings.ca.gov

Featured Highlights

- Quad-Jet Vacuum Technology —for jets create maximum vacuum power
- 25% more cleaning power than other pressure-side inground pool cleaners
- 40% larger intake draws in dirt and debris of every size
- Four-wheel Steady-Grip Traction navigates all pool surfaces
- Cleans up to the waterline
- Debris bag is a snap to detach and empty

Ordering Information

Product	Description	Carton Qty.	Carton Wt. (Lbs.)
PENTAIR RACER LS PRESSURE-SIDE CLEANER			
360330	Racer LS Pressure-Side Inground Pool Cleaner	1	22.5

See pages 340-341 for replacement parts.

KREEPY KRAULY® PLATINUM™

PRESSURE-SIDE INGROUND POOL CLEANER



Kreepy Krauly Platinum

Kreepy Krauly Platinum cleaner is one rugged pressure-side cleaner. It's the ideal choice for inground pools exposed to higher loads of leaves and debris.

A great choice for pools in yards with lush landscaping and tougher cleaning challenges.

CALIFORNIA PROPOSITION 65 WARNING

⚠ **WARNING:** Cancer and Reproductive Harm.
 ⚠ **AVERTISSEMENT:** Peut Causer le Cancer et des Dommages au Système Reproducteur.
 ⚠ **ADVERTENCIA:** Cáncer y Daño Reproductivo.
www.p65warnings.ca.gov

Featured Highlights

- Dual thrust jets provide maximum power for speed and suction so most pools are cleaned in just 1–3 hours
- Front-wheel drive and wide tires provide maximum traction on inclined surfaces to assure total pool wall and floor coverage
- Four wheel design prevents tipping (common with 3 wheel cleaners) for uninterrupted and unattended performance
- Large-capacity debris channel and huge intake throat easily pick up larger leaves and debris
- Suitable for concrete, vinyl-lined and fiberglass pools

Ordering Information

Product	Description	Carton Qty.	Carton Wt. (Lbs.)
KREEPY KRAULY PLATINUM PRESSURE-SIDE CLEANER (Without Pump) ¹			
LL505PM	Platinum Gray Top, White Bottom Cleaner for Lighter Colored Pools	1	23
LL505PMG	Platinum All Gray Cleaner for Darker Colored Pools	1	23

¹ The Platinum automatic pool cleaner comes ready to connect to a Booster Pump (P/N LA-MS05 and P/NLA01N) sold separately.

See pages 342–343 for replacement parts.

KREEPY KRAULY® LEGEND® PRESSURE-SIDE INGROUND POOL CLEANER

Featured Highlights

- Front-wheel drive for maximum traction on inclined surfaces for total pool coverage
- Four wheel design prevents tipping (common with 3 wheel cleaners) for uninterrupted and unattended performance
- Large intake throat and high-capacity bag handle large debris with ease
- Heavy-duty, large-capacity twist lock collection bag for long periods between cleanings and ease of maintenance
- Available in Gray/White or all Gray
- Cleans most pools in just 1–3 hours

Kreepy Krauly Legend pressure-side cleaner features a highly efficient booster pump (sold separately) for optimum power and unimpeded surface skimming, plus a large intake throat to handle large and small debris.

CALIFORNIA PROPOSITION 65 WARNING

⚠ **WARNING:** Cancer and Reproductive Harm.
 ⚠ **AVERTISSEMENT:** Peut Causer le Cancer et des Dommages au Système Reproducteur.
 ⚠ **ADVERTENCIA:** Cáncer y Daño Reproductivo.
www.p65warnings.ca.gov



Kreepy Krauly Legend

Ordering Information

Product	Description	Carton Qty.	Carton Wt. (Lbs.)
KREEPY KRAULY LEGEND (Without Pump)			
LL505G	Legend Cleaner ¹ - Gray Top, White Bottom Cleaner for lighter colored pools	1	22
LL505GG	Legend - All Gray Legend Cleaner for darker colored pools ¹	1	22

¹ The Legend automatic pool cleaner comes ready to connect to a Booster Pump (P/N LA-MS05 and P/NLA01N) sold separately.

See pages 344–345 for replacement parts.

KREEPY KRAULY® LEGEND® II PRESSURE-SIDE INGROUND POOL CLEANER

Featured Highlights

- Superior cleaning power without a booster pump
- Front-wheel drive design assures maximum traction on inclined surfaces for total pool coverage
- Four wheel design prevents tipping (common with 3 wheel cleaners) for uninterrupted and unattended performance
- Dual thrust jets for maximum power, speed and performance
- Automatic back-up feature helps prevent hang-ups by steps and in corners to assure uninterrupted and unattended performance
- Heavy-duty, large-capacity twist lock collection bag for long periods between cleanings and ease of maintenance
- Available in Gray/White or all Gray

Kreepy Krauly Legend II cleaner provides pressure-side power without the added energy consumption of a booster pump. That means fast, thorough cleaning and a lower cost to operate. Dual-jetted design powers water through unit to create powerful vacuum action.



CALIFORNIA PROPOSITION 65 WARNING

⚠ **WARNING:** Cancer and Reproductive Harm.
 ⚠ **AVERTISSEMENT:** Peut Causer le Cancer et des Dommages au Système Reproducteur.
 ⚠ **ADVERTENCIA:** Cáncer y Daño Reproductivo.
www.p65warnings.ca.gov



Kreepy Krauly Legend II

Ordering Information

Product	Description	Carton Qty.	Carton Wt. (Lbs.)
KREEPY KRAULY LEGEND II PRESSURE-SIDE CLEANER			
LX5000G	Legend II - Gray Top, White Bottom Cleaner for lighter colored pools	1	20
LX5000GG	Legend II - All Gray Cleaner for Darker Colored Pools	1	20

See pages 350–351 for replacement parts.

PENTAIR REBEL® SUCTION-SIDE INGROUND POOL CLEANER

TRADEGRADE



Pentair Rebel

Pentair Rebel cleaner packs amazing performance into a compact, easy-to-use package. Its preprogrammed steering and two-wheel design allows the Rebel cleaner to access hard-to-reach corners where debris often hides. Plus, the superior engineering of its turbine and roller skirt assures thorough, uninterrupted cleaning that other cleaners simply cannot match. The Rebel cleaner's extra-efficient hydraulic design makes it ideal for use with variable-speed pumps at low speed. Installation is a snap—just set it and forget it.

CALIFORNIA PROPOSITION 65 WARNING

⚠️ **WARNING:** Cancer and Reproductive Harm.
 ⚠️ **AVERTISSEMENT:** Peut Causer le Cancer et des Dommages au Système Reproducteur.
 ⚠️ **ADVERTENCIA:** Cáncer y Daño Reproductivo.
www.p65warnings.ca.gov

Featured Highlights

- Programmed Cleaning Cycle assures complete, thorough pool cleaning coverage
- Sure Flow Turbine design provides clear passage for dirt and debris, avoiding the clogging that is common with other 2-wheel cleaners
- Dual-Action Roller Skirt allows Rebel to maneuver up and over obstacles for uninterrupted cleaning
- Advanced Hydraulic Technology makes it ideal for use with variable speed and two-speed pumps at lower speeds
- Superior cleaning performance in all pool types—gunite, vinyl, fiberglass and tile pools
- Easy to install and maintain

Ordering Information

Product	Description	Carton Qty.	Carton Wt. (Lbs.)
PENTAIR REBEL SUCTION-SIDE CLEANER			
360473	Rebel Automatic Pool Cleaner for Inground Pools	1	15

See page 358 for replacement parts.

KREEPY KRAULY® WARRIOR® SUCTION-SIDE INGROUND POOL CLEANER



Kreepy Krauly Warrior

Kreepy Krauly Warrior cleaner is a powerful and durable cleaner with a sleek, modern design. The Warrior has a two-wheeled design and programmed steering to maneuver around 90 degree floor-to-wall angles, deep to shallow bottoms and hard to reach corners. Warrior works on tile, gunite, fiberglass and vinyl pools.

CALIFORNIA PROPOSITION 65 WARNING

⚠️ **WARNING:** Cancer and Reproductive Harm.
 ⚠️ **AVERTISSEMENT:** Peut Causer le Cancer et des Dommages au Système Reproducteur.
 ⚠️ **ADVERTENCIA:** Cáncer y Daño Reproductivo.
www.p65warnings.ca.gov

Featured Highlights

- Sure-Flow turbine design allows dirt and debris to easily pass through
- Quick-Release Latch allows for quick and easy servicing
- Two-wheel design for fast, agile cleaning, even in tight spaces
- Roller-Skirt maneuvers up and over obstacles for uninterrupted cleaning
- Compact and easy to operate
- Programmed Steering Cycle assures complete and thorough pool cleaning coverage
- Modern and sleek design

Ordering Information

Product	Description	Carton Qty.	Carton Wt. (Lbs.)
KREEPY KRAULY WARRIOR SUCTION-SIDE CLEANER			
360302	Warrior Automatic Pool Cleaner for Inground Pools	1	15

See page 360 for replacement parts.

PENTAIR DORADO®

SUCTION-SIDE INGROUND POOL CLEANER

Featured Highlights

- Bristle Drive Technology combines deep-cleaning scrubbing action and powerful, oversized vacuum inlet
- SmartTrac Programmed Steering easily navigates around pool obstacles for uninterrupted cleaning
- Clean faster with 15 inch wide cleaning path
- No assembly required. Just hook to hose and go.

The Dorado suction-side cleaner delivers simple, powerful cleaning you can see and feel. Its unique, Bristle-Drive™ Technology combines with oversized vacuum inlet to scrub and devour tough dirt and debris from your pool's floor and walls, providing complete, trouble-free cleaning. The cleaner's 15-inch-wide bristle scrubbers cover more of your pool in a single pass for fast cleaning. And Dorado's SmartTrac™ Programmed Steering easily navigates around pool obstacles for uninterrupted vacuuming of large and small debris.

TRADEGRADE



Pentair Dorado

Ordering Information

Product	Description	Carton Qty.	Carton Wt. (Lbs)
PENTAIR DORADO SUCTION-SIDE CLEANER			
360151	Dorado Automatic Pool Cleaner for Inground Pools	1	15

See page 362 for replacement parts.

KREEPY KRAULY® GREAT WHITE®

FOR INGROUND SWIMMING POOLS

Featured Highlights

- Bristle-drive dislodges tough dirt and debris for quick and thorough cleaning
- Programmed steering easily navigates around pool obstacles for uninterrupted cleaning
- Cuts a wide 15 in. path for quick cleaning
- Free Vac-Port door fitting for installation into dedicated vacuum line
- Adjustable regulator valve and free flow gauge let you set just the right cleaning speed to assure the most affective cleaning
- No assembly required. Just hook to hose and go.

Kreepy Krauly Great White cleaner scrubs and vacuums away the toughest dirt. Its bristle-drive mechanism has the strength to knock loose the most stubborn dirt, while the powerful vacuum action whisks away small and large debris.

CALIFORNIA PROPOSITION 65 WARNING

⚠ **WARNING:** Cancer and Reproductive Harm.
 ⚠ **AVERTISSEMENT:** Peut Causer le Cancer et des Dommages au Système Reproducteur.
 ⚠ **ADVERTENCIA:** Cáncer y Daño Reproductivo.
www.p65warnings.ca.gov



Kreepy Krauly Great White

Ordering Information

Product	Description	Carton Qty.	Carton Wt. (Lbs)
KREEPY KRAULY GREAT WHITE SUCTION-SIDE CLEANER			
GW9500	Great White Automatic Pool Cleaner for Inground Pools	1	15

See page 363 for replacement parts.

KREEPY KRAULY®

SUCTION-SIDE INGROUND POOL CLEANER



Kreepy Krauly

Trusted by over 3 million pool owners for decades, Kreepy Krauly cleaner's powerful suction relentlessly removes dirt and debris automatically. And with only one operational moving part, you can count on years of dependable service at an exceptionally low cost of operation. It's our tireless, reliable performer... year after year.

CALIFORNIA PROPOSITION 65 WARNING

⚠ **WARNING:** Cancer and Reproductive Harm.
 ⚠ **AVERTISSEMENT:** Peut Causer le Cancer et des Dommages au Système Reproducteur.
 ⚠ **ADVERTENCIA:** Cáncer y Daño Reproductivo.
www.p65warnings.ca.gov

- #### Featured Highlights
- Rugged construction and ultra reliable service
 - Dive float directional system helps guide cleaner throughout entire pool from the water line to the pool bottom for great cleaning coverage
 - Automatic valve automatically regulates water flow to set the ideal travel speed for more thorough cleaning
 - Roller strap maneuvers cleaner around steps and ladders for uninhibited cleaning
 - Cleaner wings help channel leaves, dirt and debris directly into filtration system
 - Original "one moving part" design for years of dependable service — no wheels or gears to replace

Ordering Information

Product	Description	Carton Qty.	Carton Wt. (Lbs.)
KREEPY KRAULY SUCTION-SIDE CLEANER			
360040	Kreepy Krauly Concrete/Gunite Cleaner ONLY - (Flat Seal)	1	15
360042	Kreepy Krauly Inground Universal Cleaner - (Pleated Seal)	1	15
360046	Kreepy Krauly Builder Model Concrete/Gunite Only*	1	15
360049	Kreepy Krauly International Inground Cleaner - (Pleated Seal)	1	15

*Product 360046 is designated

TRADEGRADE

See page 365 for replacement parts.

KREEPY KRAULY® KRUISER™

AUTOMATIC INGROUND POOL CLEANER



Kreepy Krauly Kruiser

We took the best of our most popular suction-side cleaner in history, the Kreepy Krauly, and added performance features to make the Kreepy Krauly Kruiser. It's relentless in its ability to clean dirt and debris, while staying affordable and dependable.

CALIFORNIA PROPOSITION 65 WARNING

⚠ **WARNING:** Cancer and Reproductive Harm.
 ⚠ **AVERTISSEMENT:** Peut Causer le Cancer et des Dommages au Système Reproducteur.
 ⚠ **ADVERTENCIA:** Cáncer y Daño Reproductivo.
www.p65warnings.ca.gov

- #### Featured Highlights
- Superior vacuum power and extra-wide mouth capture large and small debris with ease
 - Superior seal design includes specially engineered "fingers" to assure the unit won't get stuck or thrown off course by main drains, tight corners, eyeball fittings, and lights
 - Built-in bumper assures free movement around steps and ladders for total cleaning coverage and uninterrupted, hands-free operation
 - Installs in minutes without tools to skimmer

Ordering Information

Product	Description	Carton Qty.	Carton Wt. (Lbs.)
KREEPY KRAULY KRUISER SUCTION-SIDE CLEANER			
K60430	Kreepy Krauly Kruiser Inground Pool Cleaner	1	17

See page 366 for replacement parts.

PENTAIR 'LIL REBEL™

FOR ABOVEGROUND SWIMMING POOLS

TRADEGRADE

Featured Highlights

- Programmed cleaning cycle
- Sure-Flow Turbine provides clear passage for dirt and debris
- Two-wheel maneuverability and coverage
- Dual-action roller skirt maneuvers up and around obstacles
- Compact footprint for tight corners and 90 degree angles

Pentair 'Lil Rebel Cleaner makes short work of leaves, sand and other hard-to-clean debris, reaching tight spaces that other cleaners miss. Installation is a snap—just set it and forget it. With a sleek, modern design, the 'Lil Rebel cleaner is a complement to any pool environment.

CALIFORNIA PROPOSITION 65 WARNING

⚠️ **WARNING:** Cancer and Reproductive Harm.
 ⚠️ **AVERTISSEMENT:** Peut Causer le Cancer et des Dommages au Système Reproducteur.
 ⚠️ **ADVERTENCIA:** Cáncer y Daño Reproductivo.
www.p65warnings.ca.gov



'Lil Rebel

Ordering Information

Product	Description	Carton Qty.	Carton Wt. (Lbs.)
PENTAIR 'LIL REBEL CLEANER			
360450	'Lil Rebel Automatic Pool Cleaner for Aboveground Pools	1	15

See page 368 for replacement parts.

KREEPY KRAULY® 'LIL SHARK™

FOR ABOVEGROUND SWIMMING POOLS

Featured Highlights

- Dual band of bristles scrub debris loose, while powerful vacuum action whisks it away
- Programmed cleaning provides more complete coverage without the missed spots other cleaners often leave behind
- Cuts a wide 10" path for quick and thorough cleaning
- Engineered for high performance cleaning with low cost of ownership

Dual band bristles scrub debris loose, while the powerful vacuum action whisks it away. 'Lil Shark comes fully equipped - simply remove it from the box, attach the hose, place in the water and off it goes.

CALIFORNIA PROPOSITION 65 WARNING

⚠️ **WARNING:** Cancer and Reproductive Harm.
 ⚠️ **AVERTISSEMENT:** Peut Causer le Cancer et des Dommages au Système Reproducteur.
 ⚠️ **ADVERTENCIA:** Cáncer y Daño Reproductivo.
www.p65warnings.ca.gov



Kreepy Krauly 'Lil Shark

Ordering Information

Product	Description	Carton Qty.	Carton Wt. (Lbs.)
KREEPY KRAULY 'LIL SHARK CLEANER			
360100	'Lil Shark Automatic Pool Cleaner for Aboveground Pools	1	15

See page 370 for replacement parts.

KREEPY KRAULY® E-Z VAC®

SUCTION-SIDE ABOVEGROUND POOL CLEANER



Kreepy Krauly E-Z Vac

E-Z Vac cleaner was designed based on the same time-tested platform as the most popular suction-side cleaner in history, Kreepy Krauly cleaner. Includes 32 ft. of hose.

CALIFORNIA PROPOSITION 65 WARNING

⚠ **WARNING:** Cancer and Reproductive Harm.
 ⚠ **AVERTISSEMENT:** Peut Causer le Cancer et des Dommages au Système Reproducteur.
 ⚠ **ADVERTENCIA:** Cáncer y Daño Reproductivo.
www.p65warnings.ca.gov

Featured Highlights

- Superior hydraulic design for optimum vacuuming power
- Only one operational moving part—the flapper—for long, dependable service—no wheels or gears to replace or service
- Free skimming valve regulates water flow to assure proper cleaning speed and simultaneous skimming of surface debris while vacuuming
- Engineered to work flawlessly in flat-bottomed and dish-shaped pools with a banked or radius cove

Ordering Information

Product	Description	Carton Qty.	Carton Wt. (Lbs.)
KREEPY KRAULY E-Z VAC CLEANER			
K50600	E-Z Vac Pool Cleaner	3	49
K50607	E-Z Vac International Model Cleaner (Not available in the U.S.)	3	49

See page 369 for replacement parts.

KREEPY KRAULY® SANDSHARK™

FOR INGROUND SWIMMING POOLS



Kreepy Krauly SandShark

Kreepy Krauly SandShark foot pad features multiple rows of squeegee-like fins which easily dislodge stubborn dirt and debris. Cuts a 12 in. wide cleaning path and easily cleans gunite, fiberglass and vinyl surfaces in all types of inground pools.

CALIFORNIA PROPOSITION 65 WARNING

⚠ **WARNING:** Cancer and Reproductive Harm.
 ⚠ **AVERTISSEMENT:** Peut Causer le Cancer et des Dommages au Système Reproducteur.
 ⚠ **ADVERTENCIA:** Cáncer y Daño Reproductivo.
www.p65warnings.ca.gov

Featured Highlights

- SmartTrac™ Programmed Steering assures complete cleaning coverage from the pool floor to the waterline, maneuvering the SandShark cleaner around corners, swim-outs and steps
- Two-way cleaning action - superior footpad design scrubs and dislodges debris from the pool surface while its powerful vacuum action whisks it away
- Wide body design allows the SandShark cleaner to cut a broad 12" cleaning path for fast cleaning

Ordering Information

Product	Description	Carton Qty.	Carton Wt. (Lbs.)
KREEPY KRAULY SANDSHARK SUCTION-SIDE CLEANER			
GW7900	SandShark Automatic Pool Cleaner for Inground Pools	1	15
GW7900-BLD	SandShark Automatic Pool Cleaner for Inground Pools - Builder Model*	1	15

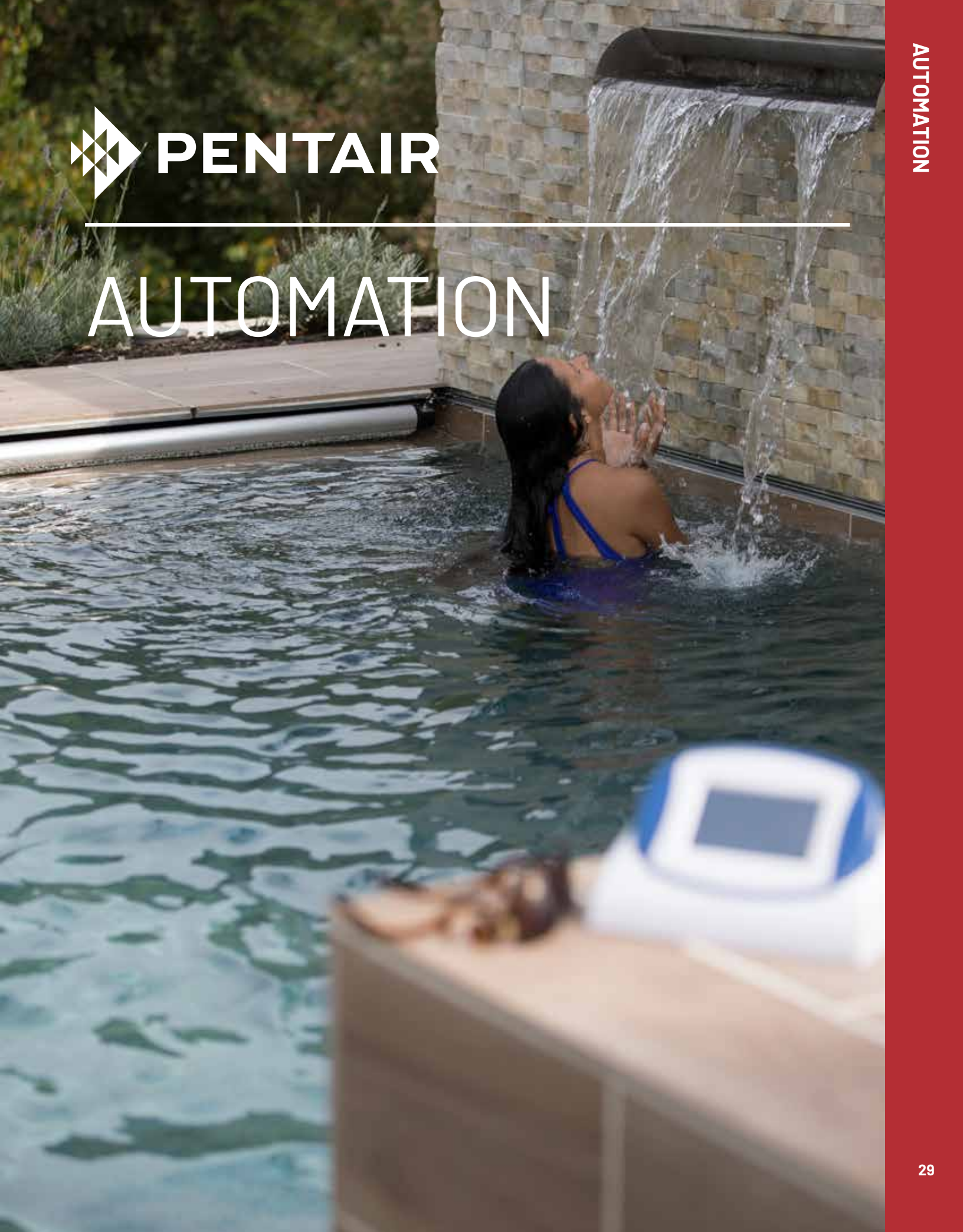
*Product GW7900-BLD is designated

TRADEGRADE

See page 364 for replacement parts.



AUTOMATION



INTELLICENTER®

CONTROL SYSTEM FOR POOLS AND SPAS

TRADEGRADE 



Featured Highlights

- Easy to program, with step-by-step, on screen instructions
- Color touchscreen interface displays intuitive instructions in clear text and rich colors
- Convenient control from inside and outside the home via outdoor and indoor control panels and wireless remotes
- Remote control from anywhere: Android® and iOS® device, Web browsers on Mac® and PC computers and voice command with smart speaker devices like Amazon Echo® and Google Home™.

IntelliCenter is Pentair's highest-capacity and most service-friendly control system ever. Communication with this system can be done on a wide range of devices and platforms. Many important service, programming and monitoring tasks can be done without an on-location service call. Order popular bundled systems and receive everything in one box or build systems a la carte.

Ordering Information

Product	Country	Description	Includes IntelliChlor® Cell	Includes SCG Transformer	Includes two (2) IntelliValves
BUNDLED SYSTEMS (COMMON LOAD AND PERSONALITY KIT)					
523448	USA	IntelliCenter System (Load Center with i5P Personality Kit)	No	No	No
521903	USA	IntelliCenter System (Load Center with i8PS Personality Kit)	Yes, IC40	Yes	Yes
521904	USA	IntelliCenter System (Load Center with i8PS Personality Kit)	No	No	Yes
521905	USA	IntelliCenter System (Load Center with i5P Personality Kit)	Yes, IC40	Yes	No
521906	USA	IntelliCenter System (Load Center with i5PS Personality Kit)	Yes, IC40	Yes	Yes
521907	USA	IntelliCenter System (Load Center with i5PS Personality Kit)	No	No	Yes
521908	USA	IntelliCenter System (Load Center with i10PS Personality Kit)	Yes, IC40	Yes	Yes
523125	Canada	IntelliCenter System (Load Center with 5P-C/Personality Kit)	No	Yes	No
523126	Canada	IntelliCenter System with 5PS-C	No	Yes	Yes
523127	Canada	IntelliCenter System with 8PS-C	No	Yes	Yes

Note: Each system includes an outdoor wireless antenna. Pool/spa systems above include two IntelliValve® Valve Actuators.

Android® is a registered trademark of Google, Inc.
 Google Home™ is a trademark of Google, Inc.
 iOS® is a registered trademark of Cisco Technology in the United States and/or other countries
 Mac® is a registered trademark of Apple, Inc. in the United States and/or other countries
 Amazon Echo® is a registered trademark of Amazon Technologies, Inc. in the United States and/or other countries

CALIFORNIA PROPOSITION 65 WARNING

⚠ **WARNING:** Cancer and Reproductive Harm.
 ⚠ **AVERTISSEMENT:** Peut Causer le Cancer et des Dommages au Système Reproducteur.
 ⚠ **ADVERTENCIA:** Cáncer y Daño Reproductivo.

www.p65warnings.ca.gov

PK22075A

INTELLICENTER®

CONTROL SYSTEM FOR POOLS AND SPAS

AL A CARTE ORDERING

STEP 1: PICK YOUR LOAD AND POWER CENTER

Ordering Information

Product	Description	IntelliChlor Transformer
LOAD AND POWER CENTERS		
522041	Load Center (with Salt Chlorine Generator support)	Included
522042	Power Center (with Salt Chlorine Generator support)	Included
522043	Load Center (without Salt Chlorine Generator support)	Not Included
522044	Power Center (without Salt Chlorine Generator support)	Not Included

STEP 2: PICK YOUR PERSONALITY KIT

Product	Description	Body of Water Style	Motherboard	Daughter Card	No. of Additional Relays**
INTELLICENTER PERSONALITY KITS					
521909	IntelliCenter Personality Kit i5P	Single	i5P	N/A	0
521910	IntelliCenter Personality Kit i8P	Single	i5P	i8P	3
521911	IntelliCenter Personality Kit i10P	Single	i5P	i10P	5
521912	IntelliCenter Personality Kit i5PS	Shared Equipment	i5P	i5PS	0
521913	IntelliCenter Personality Kit i8PS	Shared Equipment	i5P	i8PS	3
521914	IntelliCenter Personality Kit i10PS	Shared Equipment	i5P	i10PS	5
521915	IntelliCenter Personality Kit i10D	Dual Equipment	i5P	i10D	5
522033*	IntelliCenter i5X Expansion Kit	—	i5X	N/A	0
522034*	IntelliCenter i10X Expansion Kit	—	i5X	i10x	5

*Expansion kits use an i5X motherboard. i5P motherboards cannot be used in expansion panels.

** Load center comes with five (5) 3 HP relays.

STEP 3: PICK YOUR ACCESSORIES

Product	Description	Notes
LOAD AND POWER CENTERS		
522035	IntelliCenter Indoor Control Panel, White Faceplate	
523058	IntelliCenter Indoor Control Panel, Tan Faceplate	
523059	IntelliCenter Indoor Control Panel, Black Faceplate	
522036	IntelliCenter Wireless Remote with Transceiver	
522038Z	IntelliCenter Valve Expansion Module	Adds six actuator ports to system (on main load center).
522039Z	Pool Cover Interface Expansion Board	Supports two covers.
522475Z	Wi-Fi Antenna (primary client bridge)	Included in the bundled systems above but must be ordered separately when building a system a la carte.

TRAINING AID

523248 IntelliCenter Laptop Trainer

See page 374 for replacement parts.

CALIFORNIA PROPOSITION 65 WARNING

▲ **WARNING:** Cancer and Reproductive Harm.
▲ **AVERTISSEMENT:** Peut Causer le Cancer et des Dommages au Système Reproducteur.
▲ **ADVERTENCIA:** Cáncer y Daño Reproductivo.

www.p65warnings.ca.gov
PH201714

SCREENLOGIC2® INTERFACE

FOR INTELLITOUCH® AND EASYTOUCH® AUTOMATION SYSTEMS

TRADEGRADE



Add an ScreenLogic2 Interface to Pentair automation systems and gain pool access from practically anywhere at anytime using your smartphone, computer, mobile digital device, Apple Watch wrist wearable device, and now on the Amazon Echo.

Featured Highlights

- Use a smartphone, computer, mobile digital device, Apple Watch® wrist wearable device and now Amazon Echo® to control pool functions from practically anywhere
- Remotely manage using the ScreenLogic2 Interface Application
- Easily change, track and monitor history of pH and ORP levels when using IntelliChem® Chemical Control System with IntelliTouch or EasyTouch Automation
- ScreenLogic2 Interface app now allows full color lighting control for both IntelliBrite® LED Pool/Spa/Landscape Lights and MagicStream® Laminars
- All ScreenLogic2 Interface Kits come with a protocol adapter and ScreenLogic2 Interface PC program on CD

ScreenLogic2 Interface allows you to control the key functions of your pool and spa using the IntelliTouch and EasyTouch control systems, using controllers such your smartphone, mobile digital device, Apple Watch wrist wearable device, and computer. The ScreenLogic Bundle conveniently includes the Protocol Adapter (520500) and the ScreenLogic Interface Wireless Connection Kit (522620).

Ordering Information

Product	Description
SCREENLOGIC2 INTERFACE CONTROL SYSTEMS	
522104	ScreenLogic Bundle (includes 520500 and 522620)
520500	Protocol Adapter Only
522620	Wireless Connection Kit Complete, antenna and transceiver
520639	High Powered ScreenLogic Interface Wireless Connection Kit – Includes two radio transmitters that eliminate the need to run cable from the Load Center into the home where the protocol adapter and wireless router are located. This is for large properties where the standard 522620 does not work.

* All ScreenLogic2 Interface Kits come with a protocol adapter

Apple Watch® is a registered trademarks of Apple Inc. in the United States and/or other countries.

Amazon Echo® is a trademark of Amazon Technologies, Inc., in the United States and/or other countries.

CALIFORNIA PROPOSITION 65 WARNING

⚠ **WARNING:** Cancer and Reproductive Harm.
⚠ **AVERTISSEMENT:** Peut Causer le Cancer et des Dommages au Système Reproducteur.
⚠ **ADVERTENCIA:** Cáncer y Daño Reproductivo.

www.p65warnings.ca.gov
P65B07A

SCREENLOGIC2® INTERFACE (CONT'D)

CONNECTION DIAGRAM

The ScreenLogic2 Interface allows EasyTouch® and IntelliTouch® Automation users to control the key functions of their pool and spa using a smartphone, mobile digital device, computer, Apple Watch® wrist wearable device and now Amazon Echo® to control pool functions from practically anywhere.

ScreenLogic2 Interface is easy to setup. A wireless connection kit is provided to eliminate the need to run cable where impossible or impractical to do so.

Personal Computer - A PC or Laptop. Connects to a wireless router and the ScreenLogic2 Interface Protocol adapter for control of IntelliTouch and EasyTouch Automation pool/spa systems. Requires a PC/Laptop (Windows XP® or later) with Ethernet/RJ45 adapter installed.

Smartphone/Mobile Digital Device/Apple Watch wrist wearable device - Enables you to control your pool and spa features using the ScreenLogic2 Interface.

Indoor Control Panel - This control panel for IntelliTouch and EasyTouch systems consists of a backlit LCD and connects into the Load Center for control of IntelliTouch or EasyTouch pool and spa systems.

MobileTouch® Wireless or EasyTouch Wireless Remote - This wireless control panel has a backlit LCD. Receives and transmits commands via the Transceiver antenna located at the Load Center.

Existing Wireless Router - Connects to the PC or Laptop via Ethernet connection.

Protocol Adapter - Connects to wireless router via Ethernet connection and to Personality board (Load/Power Center) via a four-wire 22-AWG cable or provided wireless connection kit.

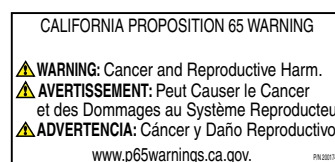
IntelliTouch or EasyTouch Automation Load Center or Power Center - The main control center, located at the equipment pad controls pump, heater, and light relays. It receives commands via Protocol adapter, and wireless and wired control panels connected to the Personality board.

MobileTouch Wireless and EasyTouch Wireless Remote Transceiver Antenna - This antenna sends and receives commands to and from the MobileTouch Wireless control panel.

Windows XP® is a registered trademark of Microsoft Corporation.

Apple Watch® is a registered trademark of Apple, Inc. in the United States and other countries.

Amazon Echo® is a trademark of Amazon Technologies, Inc. in the United States and other countries.



INTELLITOUCH® AUTOMATION SYSTEMS

ADVANCED AUTOMATION SYSTEMS FOR POOL AND SPA



TRADEGRADE  eco select™

CALIFORNIA PROPOSITION 65 WARNING
 ⚠️ WARNING: Cancer and Reproductive Harm.
 ⚠️ AVERTISSEMENT: Peut Causer le Cancer et des Dommages au Système Reproducteur.
 ⚠️ ADVERTENCIA: Cáncer y Daño Reproductivo.
www.p65warnings.ca.gov P65-2015-14

Featured Highlights

- UltraTemp® Heat Pump Cooling Support
- SpaCommand® Spa-Side Remote Control of IntelliFlo® Pump
- MagicStream® Laminar support
- IntelliChem® Controller support
- ColorVision® Bubbler support

IntelliTouch Automation offers superior control systems from small to the most ambitious pool and spa designs including water features and spectacular lighting effects. IntelliTouch Automation Systems offer innovative technology and a wide range of wireless and wired control panels that are easy to program with simple menus to enable pool owners to create and change programs without complication. Users can choose to access their pool from practically anywhere using their smartphone, computer, mobile digital device, Apple Watch® wrist wearable device and now on Amazon Echo®, or the MobileTouch® Wireless (900MHz) Control Panel to complete their pool and spa automation system.

IntelliTouch Automation offers advanced control technology to suite individual needs including:

- **ScreenLogic2® Interfaces** – Enables IntelliTouch Automation users to control their pool and spa features using wireless color touch screen devices including a smartphone, computer, mobile digital device or Apple Watch. ScreenLogic2 Interface systems now have advanced features such as remote monitoring and control over the internet and email alerts for specific events. Other wired interface options are also available to control pool and spa features via a desktop or laptop PC from within the home or on the road.
- **Salt Chlorine Feature** – Enables IntelliTouch Automation to control and monitor popular Salt Chlorine Generators including Pentair Aquatic Systems' IntelliChlor® Salt Generator, Goldline Controls®, AutoPilot®, and AutoClear® from many of the available user interfaces. Users do not have to adjust the salt chlorine generator at the equipment pad.
- **Support for IntelliFlo® Pumps** – The IntelliFlo Pump is the intelligent swimming pool pump that is changing all the rules. Adaptable to any application up 230 volts and 160 gallons per minute, you simply program the pump speed to suit the application. The IntelliFlo Pump then dials in the perfect power factor. IntelliFlo Pumps constantly monitor water flow and electrical current, making sure that the filtration system is operating at peak efficiency. And that means energy savings never before possible – up to 90% over conventional pumps.
- **Advanced Color Lighting** – Enables users to experience a world of lighting animation when teamed up with IntelliBrite® 5g Color Lights, GloBrite® LED Lights, MagicStream Laminars, ColorCascade and ColorVision Bubbler. One of the most dramatic innovations is the Swimming Colors feature in which colors appear to swim through the water, pouring into one another.

Technical Note: Lights must be connected to separate Auxiliary Circuits for Swimming Colors to function.

IntelliTouch Automation systems offer the flexibility to handle from 5 to 40 circuits that can be used to control any combination of pumps, lights, water features, etc. As an added benefit, user-configurable circuits (Feature Circuits) can also be used to control these combinations of features and more. Feature Circuits even add Macro possibilities, where any number of circuits can be combined on a single button. This gives the pool owner the ability to set up “themes” with custom names all with one press of a single button.

IntelliTouch Automation users can also dim any high voltage incandescent light such as Pentair Amerlite® and SpaBrite® Lights up to eight levels using the IntelliTouch Automation Controller Dimmer Module (P/N 520406). The dimmer module supports multiple lights from 100 watts up to 1,000 watts and installs in a standard relay location. Any number of dimmers (up to 10 maximum) may be used with a maximum combined load of 4,000W in a single Load Center.

Goldline Controls® is a registered trademark of Hayward Industries, Inc.
 AutoPilot® is a registered trademark of Aquacal AutoPilot, Inc.
 AutoClear® is a registered trademark of Zodiac Pool Systems, Inc.

Amazon Echo® is a trademark of Amazon Technologies, Inc., in the United States and/or other countries.
 Apple Watch® is a registered trademark of Apple, Inc. in the United States and other countries.

INTELLITOUCH® AUTOMATION ENCLOSURE KITS

ORDERING AN INTELLITOUCH AUTOMATION SYSTEM – STEP 1:

TRADEGRADE

Featured Highlights

- **Load Center** – Includes built-in sub panel (150 AMPS) breaker base capable of holding up to ten 1 inch breakers. Also includes five 25 AMP 3 HP relays, 120V/240V transformer with secondary side circuit protection. Multiple knockouts for 1/2 inch to 1-1/4 inch conduit are supplied as well as a GFCI receptacle side knock out. The Load Center provides ample space for all high and low voltage wiring needs.
- **Power Center** – Offers a smaller footprint than the Load Center. The Power Center does not include a circuit breaker base. Users should choose this enclosure if they already have existing circuit breakers/sub-panel for their equipment.



Power Center



Load Center
(Shown with Personality Kit)

Pentair Aquatic Systems' Load Center and Power Center features more knockouts and 150 Amps limit as well as space for 10 breakers on the Load Center. For added convenience, IntelliTouch Automation enclosures can be ordered and integrated with the IntelliChlor® Salt Chlorine Generator transformer so a separate power center is not required.

Ordering Information

Product	Description	3 HP Relays Std. / Max.	Number of Circuit Breaker Spaces	Transformer Voltage	Size
INTELLITOUCH AUTOMATION ENCLOSURE KITS WITH INTELLICHLOR TRANSFORMER					
521213	Load Center	5 / 10	10	115V / 230V	26 in. H x 17 in. W x 5-1/4 in. D
521214	Power Center	5 / 10	None	115V / 230V	20 in. H x 17 in. W x 5-1/4 in. D
INTELLITOUCH AUTOMATION ENCLOSURE KITS WITHOUT INTELLICHLOR TRANSFORMER					
521215	Load Center	5 / 10	10	115V / 230V	26 in. H x 17 in. W x 5-1/4 in. D
521216	Power Center	5 / 10	None	115V / 230V	20 in. H x 17 in. W x 5-1/4 in. D

CALIFORNIA PROPOSITION 65 WARNING

⚠ **WARNING:** Cancer and Reproductive Harm.
 ⚠ **AVERTISSEMENT:** Peut Causer le Cancer et des Dommages au Système Reproducteur.
 ⚠ **ADVERTENCIA:** Cáncer y Daño Reproductivo.
www.p65warnings.ca.gov

INTELLITOUCH® AUTOMATION PERSONALITY KITS

ORDERING AN INTELLITOUCH AUTOMATION SYSTEM – STEP 2:

TRADEGRADE

i5+3S Personality Kit
(for single body of water)



i9+3 Personality Kit
(shared equipment)



Featured Highlights

- **Shared Equipment:** Pool and spa combinations with shared filtration system – Pool owners can enjoy the convenience of motorized valves for water flow separation between pool and spa
- **Dual Equipment:** Pool and Spa Dual Sets of Equipment – The IntelliTouch Control System i10+3D provides advanced automation for a pool and spa using two separate sets of equipment. The IntelliTouch Automation Personality Kit controls ten pump and/or lighting circuits and two heaters.
- **Single Equipment:** Pool Only or Spa Only Applications – The IntelliTouch Automation i5+3S and i9+3S provide advanced automation for a single body of water

There are six Personality Kit models available for various pool and spa combinations. Each Personality Kit provides complete pool and spa controls that are fully programmable. Every circuit has a countdown timer, ability to do one-time-use programs, salt generation interface for popular salt chlorinators, spectacular colored pool/spa lighting effects, along with solar control capabilities. In addition, there are various options available including light dimming, smart home interface, spa-side remote switches, valve actuators for water flow control, additional indoor wired or wireless user interface control panels, and even telephone remote control.

Ordering Information

Product	Model Number	High Voltage Circuits	3 HP Relays Kit / Total *	Feature Circuits	Valve Actuators Std. / Opt. / w/Valve Expansion Module**
POOL/SPA – SHARED EQUIPMENT					
<i>Pump, Filter & Heater shared between Pool and Spa by two automated 3-Way Valves.</i>					
521219	i5+3	Filter + 4 Aux	0 / 5	10	2 / 4 / 7
521220	i7+3	Filter + 6 Aux	2 / 7	10	2 / 4 / 7
521221	i9+3	Filter + 8 Aux	4 / 9	10	2 / 4 / 7
POOL/SPA – DUAL EQUIPMENT					
<i>Two Pumps, Two Filters & Two Heaters for separate Pool and Spa.</i>					
521222	i10+3D	2 Filters + 8 Aux	5 / 10	10	0 / 2 / 5
POOL OR SPA – SINGLE BODY OF WATER					
<i>Pump, Filter & Heater for an individual Pool or Spa.</i>					
521223	i5+3S	Filter + 4 Aux	0 / 5	10	0 / 2 / 5
521224	i9+3S	Filter + 8 Aux	4 / 9	10	0 / 2 / 5
EXPANSION KITS					
521225	i5X Expansion Kit		0 / 5	0	0 / 2 / 5
521226	i10X Expansion Kit		5 / 10	0	0 / 2 / 5

* Load Center or Power Center, purchased separately, includes five 3 HP relays.

** Valve expansion module adds three additional valves to be used (P/N 520285).

Note: i5 and i5S are now i5+3 and i5+3S.

Note: Valve actuators now come with 25 ft. cables for wiring convenience.

CALIFORNIA PROPOSITION 65 WARNING

▲ **WARNING:** Cancer and Reproductive Harm.
▲ **AVERTISSEMENT:** Peut Causer le Cancer et des Dommages au Système Reproducteur.
▲ **ADVERTENCIA:** Cáncer y Daño Reproductivo.

www.p65warnings.ca.gov
PN20171A

See page 375 for replacement parts.

INTELLITOUCH® AUTOMATION INTERFACE KITS

ORDERING AN INTELLITOUCH AUTOMATION SYSTEM – STEP 3:



MobileTouch® Wireless Remote



Indoor Control Panel



Apple Watch® Wrist Wearable Device



Amazon Echo®



Mobile Digital Devices

CALIFORNIA PROPOSITION 65 WARNING

⚠ **WARNING:** Cancer and Reproductive Harm.
 ⚠ **AVERTISSEMENT:** Peut Causer le Cancer et des Dommages au Système Reproducteur.
 ⚠ **ADVERTENCIA:** Cáncer y Daño Reproductivo.
www.p65warnings.ca.gov

One or more of the following Standard or ScreenLogic2® Interface Kits can be used with IntelliTouch Automation Personality Kits. For example, smartphones, mobile digital devices, Apple Watch wrist wearable device, Amazon Echo or Indoor Control Panels can be mixed or matched throughout the home. ScreenLogic2 Interface systems now have advanced features such as remote monitoring and control over the internet and email alerts for specific events. The Interface options include:

Ordering Information

Product	Description
STANDARD INTERFACES	
520138	Indoor Control Panel – 3-3/4 in. monochrome backlit LCD. Wired to the Load or Power Center.
520906	MobileTouch Wireless – Wireless control panel with transceiver. 3-3/4 in. monochrome backlit LCD.
SCREENLOGIC2 INTERFACES	
522104	ScreenLogic Bundle (includes 520500 and 522620 in one box).
520500	Protocol Adapter Only
SCREENLOGIC2 INTERFACE ACCESSORIES	
522620	Wireless Connection Kit Complete, antenna and transceiver

Apple Watch® is a registered trademark of Apple, Inc. in the United States and other countries.

Amazon Echo® is a trademark of Amazon Technologies, Inc., in the United States and/or other countries.

INTELLITOUCH® AUTOMATION ACCESSORIES

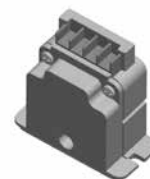
TRADEGRADE



SpaCommand® Spa-Side Remote (also available in black)



QuickTouch® II Remote



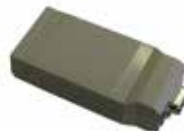
IntelliTouch Controller Dimmer Module



Outdoor Control Panel (installs in the Load or Power Center)



Load Center



i-Link Home Automation Adapter

CALIFORNIA PROPOSITION 65 WARNING
 ⚠️ **WARNING:** Cancer and Reproductive Harm.
 ⚠️ **AVERTISSEMENT:** Peut Causer le Cancer et des Dommages au Système Reproducteur.
 ⚠️ **ADVERTENCIA:** Cáncer y Daño Reproductivo.
www.p65warnings.ca.gov PH.201714

Ordering Information

Product	Description
INTELLITOUCH ACCESSORIES	
520442	i-Link Home Automation Adapter Interface for IntelliTouch Automation – Enables homeowners using Home Automation systems such as Elan®, Crestron®, AMX®, Vantage®, Lutron®, Control4® and others to control IntelliTouch Automation basic features via their Home Automation control interface. Call for other Home Automation system compatibility.
520406	IntelliTouch Controller Dimmer Module – Enables users to dim their Amerilite® and SpaBrite® Lights up to eight levels (30% to 100%). Each dimmer module supports multiple lights from 100 watts up to 1,000 watts combined load using 120VAC (220VAC not supported). For example, a 500W and a 100W Amerilite Light (total 600W) could be used with one dimmer module. Installs in a standard relay location. Any number of dimmers (up to 10 maximum) may be used with a maximum combined load of 4,000W. Note: Expansion Center Kit(s) may be required to house multiple dimmer modules (models i5x (P/N 521225) or i10x (P/N 521226). The IntelliTouch Controller Dimmer Module is only designed to be used with pool and spa lights and not backyard lighting systems.
521209	QuickTouch II Remote – Four-function wireless remote for pool and spa functions. Operated within 250 feet range of the Load or Power Center.
520403	Dual Heater Kit – This kit is for use with IntelliTouch systems and enables homeowners to utilize a gas heater and heat pump. The IntelliTouch system determines which heat source is appropriate given the conditions. This kit disables most solar heating controls. The kit includes a heater relay and temperature sensor.
SPACOMMAND TEN-FUNCTION SPA-SIDE REMOTE	
521178	SpaCommand Remote, White with 150 ft. cable
521176	SpaCommand Remote, Black with 150 ft. cable
521179	SpaCommand Remote, White with 250 ft. cable
521177	SpaCommand Remote, Black with 250 ft. cable
521180	Mudbox Accessory for recessing SpaCommand Remote into deck or tile. Includes cover plate and bezel.

Product	Description
ACCESSORIES FOR INTELLITOUCH SYSTEMS	
521485	IntelliValve® Valve Actuator
520199	1000 ft. cable, four conductor, 22 AWG
520106	3HP Relay for IntelliTouch
RCS1	Additional Spa Jets Switch (for multiple jet pumps)
ESO3	Emergency Shut-Off Switch w/Audible Alarm
520138	Indoor Control Panel for IntelliTouch® (White), additional
520967	Light Direct Connect Kit (eliminates need for j-box)
6870002	Telephone remote control for any single circuit, usually Spa mode

Product	Description
ACCESSORIES FOR INTELLITOUCH SYSTEMS	
520272	Air & Water Temperature Sensor (white)
522101	Solar Temperature Sensor (black)
520198	Two-Speed 3HP Relay
263045	Valve Actuator
520285	Valve module for adding up to 3 valve actuators
520818	Com Port Expansion Module
AI101	Surge Suppressor for 115V transformer wiring
AI201	Surge Suppressor for 230V transformer wiring

Elan® is a registered trademark of Core Brands, LLC.

Crestron® is a registered trademark of Crestron Electronics, Inc.

AMX® is a registered trademark of AMX, L.L.C., LTD.

Vantage® is a trademark of Legrand Home Systems, Inc.

Lutron® is a registered trademark of Lutron Electronics, Inc.

Control4® is a registered trademark of Control4 Corp.

INTELLITOUCH® AUTOMATION ACCESSORIES (CONT'D)

Featured Highlights

- **MobileTouch® Wireless Remote Accessory** – Allows any IntelliTouch Automation System to have a wireless remote with all capabilities of the indoor control panel. With an average range of 500 feet, pool owners have system control anywhere around the home or yard. Installation is simple, and requires no high voltage wiring. Powered by a replaceable rechargeable lithium-ion battery. Includes an AC/DC adapter for recharging. Water resistant, wireless user interface control panel with high-resolution 3-3/4 in. monochrome backlit LCD. Rechargeable lithium-ion battery. Easy to use control buttons with customizing feature for naming circuits.
- **iS4 Four-Function Spa-side Remote** – Provides control of any four functions, such as pool, spa, auxiliary circuits (AUX 1-8), Feature Circuits, Macros, Heater Enable and Heat Boost. Available in White, Black and Gray. Four cable lengths are available:
- **Expansion Kits** – Models i5X and i10X, offer five or ten additional Auxiliary Circuits for systems i9+3, i9+3S and i10+3D. Each IntelliTouch Automation Expansion Kit requires a Load Center (P/N 521215) or Power Center (P/N 521216). Up to three Expansion Kits and Load or Power Centers may be added to a system, for control of up to 38 Auxiliary Circuits (40 auxiliary circuits for i10+3D).



CALIFORNIA PROPOSITION 65 WARNING
 ⚠️ **WARNING:** Cancer and Reproductive Harm.
 ⚠️ **AVERTISSEMENT:** Peut Causer le Cancer et des Dommages au Système Reproducteur.
 ⚠️ **ADVERTENCIA:** Cáncer y Daño Reproductivo.
www.p65warnings.ca.gov P/N 520173A

Ordering Information

Product	Description
MOBILETOUCH WIRELESS REMOTE ACCESSORIES	

- | | |
|--------|--------------------------------------------------------------------------------------------------|
| 520906 | MobileTouch Wireless Accessory Kit includes wireless remote and transceiver module with antenna. |
| 520907 | Additional MobileTouch Wireless remote only |

Product	Color	Product	Color	Product	Color	Product	Color
iS4 REMOTE WITH 50 FT. CABLE		iS4 REMOTE WITH 100 FT. CABLE		iS4 REMOTE WITH 150 FT. CABLE		iS4 REMOTE WITH 250 FT. CABLE	
521883	White	521885	White	521887	White	521889	White
521884	Gray	521886	Gray	521888	Gray	521890	Gray
521891	Black	521892	Black	521893	Black	521894	Black

Product	Description	3 HP Relays Kit / Total *	Feature Circuits	Valve Actuators Std. / Opt. / w/Module
EXPANSION KITS				
521225	i5X Expansion Kit	0 / 5	0	0 / 2 / 5
521226	i10X Expansion Kit	5 / 10	0	0 / 2 / 5

* Expansion Kit requires Load or Power Center to be purchased separately, which includes five 3HP relays.

INTELLITOUCH® AUTOMATION SALES & SERVICE TOOLS

Product	Description
INTELLITOUCH AUTOMATION SALES AND SERVICE TOOLS	
520396	Service Panel for IntelliTouch Automation – If access to the Indoor Control Panel is not available, this service panel can be used by service personnel to help setup, customize, or troubleshoot an IntelliTouch Automation system from the control panel at the equipment pad. Includes an attached 6-foot cable for easy connection to the Personality board.
520456	IntelliTouch Automation Indoor Control Panel POP Display – A non-functional Indoor Control Panel. Make sure all of your dealers have plenty of these for their showrooms. Intended for display and product promotion purposes only.
520400	IntelliTouch Automation Laptop Trainer – Perfect for use in dealer showrooms or by sales personnel to demonstrate complete system functionality to prospective customers.
520352	IntelliTouch Automation Demo Unit – Perfect for use in dealer showrooms or by sales personnel to demonstrate IntelliTouch Automation system functionality with Indoor Control Panel interface option to prospective customers. Fully functioning control panel.
520957	Automation Flash Programming Kit
520461	Quick Reference Card – Credit card size reference guide. Includes step-by-step instructions to set a House Address for Indoor and MobileTouch® control panels, iS10 Spa-Side remote, and Expansion Load or Power Center.



IntelliTouch Automation Demo Unit



IntelliTouch Automation Laptop Trainer



IntelliTouch Automation ICP POP Display



IntelliTouch Automation Service Panel



Quick Reference Card

EASYTOUCH® CONTROL SYSTEMS

POOL/SPA CONTROL SYSTEMS

TRADEGRADE



EasyTouch System



Use your smartphone, mobile digital device, Apple Watch® wrist wearable device and now Amazon Echo® to access your pool from practically anywhere

Featured Highlights

EasyTouch Features include:

- UltraTemp® Heat Pump integration
- Supports 2 IntelliFlo® Pumps
- Supports 8 Feature circuits
- MagicStream® Laminar support
- IntelliChem® Controller support
- Now works with ScreenLogic2® Interface
- IntelliBrite® Pool and Spa Light support
- SpaCommand® Spa-Side Remote support and control of IntelliFlo® Pump
- Optional Controllers for added convenience: Indoor Control Panel (for 4 or 8 circuit systems), a Wireless controller (for 4 or 8 circuit systems), a QuickTouch® II 4-function wireless remote, a 4-button spa side remote, and SpaCommand spa-side remote.
- All functions controlled with easy, one-button access from the self-contained load center or optional controllers. No need to memorize operating sequences, open and close valves, or reset time clocks and thermostats.
- Built-in diagnostics include automatic verification of the display, microprocessor, switches, indicators, relay outputs, valve outputs, sensor inputs, and communication ports as well as a diagnostic screen that reports failures for troubleshooting and repair purposes
- Includes 150 amp breaker base with space for ten 1-inch breakers
- UL and cUL approved
- Dimensions: 26 in. H x 17 in. W x 5-1/4 in. D

The EasyTouch Control System family offers control for homeowner's looking for an easy to use pool/spa control system. EasyTouch allows full control of all pool/spa features including advanced features such as colored lighting and IntelliChlor® Salt Chlorine Generator support. Every EasyTouch system includes an easy to use control panel that is built into the outdoor enclosure. This control panel allows for full system setup, programmability, and everyday operation. In addition, there are several other available remote interface choices. The EasyTouch systems come in a variety of configurations: Pool only or Spa only, Pool/Spa with shared equipment, and also integrated with Pentair Aquatic Systems' IntelliChlor Salt Chlorine Generator.

CALIFORNIA PROPOSITION 65 WARNING
 ⚠️ **WARNING:** Cancer and Reproductive Harm.
 ⚠️ **AVERTISSEMENT:** Peut Causer le Cancer et des Dommages au Système Reproducteur.
 ⚠️ **ADVERTENCIA:** Cáncer y Daño Reproductivo.
www.p65warnings.ca.gov PN202114

Ordering Information

Product	Model
EASYTOUCH SYSTEMS WITHOUT INTELLICHLOR TRANSFORMER BUILT-IN	
520591	EasyTouch 4P – Single Body (base system - no ICP, no actuators)
520703	EasyTouch 8P – Single Body (base system - no ICP, no actuators)
520538	EasyTouch 4 – Pool/Spa (base system - no ICP, 2 actuators)
520540	EasyTouch 8 – Pool/Spa (base system - no ICP, 2 actuators)
EASYTOUCH SYSTEMS WITH INTELLICHLOR TRANSFORMER AND INTELLICHLOR CELL	
520592	EasyTouch 4PSC-IC20 – Single Body (includes SCG integration & IC20 cell)
520593	EasyTouch 4PSC-IC40 – Single Body (includes SCG integration & IC40 cell)
520704	EasyTouch 8PSC-IC20 – Single Body (includes SCG integration & IC20 cell)
520705	EasyTouch 8PSC-IC40 – Single Body (includes SCG integration & IC40 cell)
520542	EasyTouch 4SC-IC20 – Pool/Spa (includes SCG integration & IC20 cell, 2 actuators)
520543	EasyTouch 4SC-IC40 – Pool/Spa (includes SCG integration & IC40 cell, 2 actuators)
520544	EasyTouch 8SC-IC20 – Pool/Spa (includes SCG integration & IC20 cell, 2 actuators)
520545	EasyTouch 8SC-IC40 – Pool/Spa (includes SCG integration & IC40 cell, 2 actuators)
521150	EasyTouch 8SC-IC60 – Pool/Spa (includes SCG integration & IC60 cell, 2 actuators)
CANADIAN EASYTOUCH SYSTEMS	
520914	EasyTouch 4P-C – Single Body (salt ready system, cell must be ordered separately)
520915	EasyTouch 8-C – Pool/Spa (salt ready system, cell must be ordered separately)
520911	IntelliChlor IC20 cell for Canada
520912	IntelliChlor IC40 cell for Canada

See page 376 for replacement parts.

EASYTOUCH® CONTROL SYSTEMS ACCESSORIES

POOL/SPA CONTROL SYSTEMS

Product	Description	Product	Description
ACCESSORIES FOR EASYTOUCH SYSTEMS			
521485	IntelliValve® Valve Actuator	521885	iS4 Spa-side Remote, White 100 ft.
522104	ScreenLogic Bundle (includes 520500 and 522620)	521209	QuickTouch II Wireless Remote Kit for 4 circuit systems
520500	Protocol Adapter Only	AI101	Surge Suppressor for 115V transformer wiring
522620	Wireless Connection Kit Complete, Antenna and Transceiver	AI201	Surge Suppressor for 230V transformer wiring
520639	ScreenLogic High Power Wireless Link for large properties	520272	Air & Water Temperature Sensor (white)
520660	EasyTouch Laptop trainer	522101	Solar Temperature Sensor (black)
520199	1000 ft. COM cable, four conductor, 22 AWG	520198	Two-Speed 3HP Relay
520106	3HP Relay for IntelliTouch or EasyTouch	263045	Valve Actuator
520548	EasyTouch ICP (Indoor Control Panel) for 4 circuit systems	520818	COM Port Expansion Module with 1 ft. cable
520549	EasyTouch ICP (Indoor Control Panel) for 8 circuit systems	RCS1	Additional Spa Jets Switch (for multiple jet pumps)
520546	EasyTouch Wireless Controller Kit for 4 circuit system, including transceiver	ESO3	Emergency Shut-Off Switch w/Audible Alarm
520547	EasyTouch Wireless Controller Kit for 8 circuit system, including transceiver	520967	Light Direct Connect Kit (eliminates need for j-box)
520588	IntelliChlor® Sanitizer Pass-through Cell for Winter or start-up	521178	SpaCommand Remote, White with 150 ft. cable
520594	IntelliChlor Diagnostic Wand	521176	SpaCommand Remote, Black with 150 ft. cable
520595	IntelliChlor replacement unions (contains 2 o-rings, 2 couplers, 2 nuts)	521179	SpaCommand Remote, White with 250 ft. cable
520670	IntelliChlor acid washing kit (contains closed end union cap, o-ring, & coupling nut)	521177	SpaCommand Remote, Black with 250 ft. cable
520734	IntelliChlor 15 foot extension power cord	521180	SpaCommand Remote Mudbox Accessory
520736	IntelliChlor Flow Switch replacement kit	521500	SpaCommand Replacement Plastics (black & white trim ring, mounting bracket, screws and O-ring)

CALIFORNIA PROPOSITION 65 WARNING

⚠️ **WARNING:** Cancer and Reproductive Harm.
 ⚠️ **AVERTISSEMENT:** Peut Causer le Cancer et des Dommages au Système Reproducteur.
 ⚠️ **ADVERTENCIA:** Cáncer y Daño Reproductivo.
www.p65warnings.ca.gov

521209 - QuickTouch® II Wireless Remote Kit



520818 - COM Port Expansion Module



521885 - iS4 Remote Control



520548 - EasyTouch ICP for 4 circuit systems
 520549 - EasyTouch ICP for 8 circuit systems
 520546 - EasyTouch wireless for 4 circuit systems
 520547 - EasyTouch wireless for 8 circuit systems



520554 - IntelliChlor IC20 Cell
 520555 - IntelliChlor IC40 Cell
 521105 - IntelliChlor IC60 Cell



SpaCommand® Remote
TRADEGRADE

See page 376 for replacement parts.

EASYTOUCH® PL4/PSL4 CONTROL SYSTEMS

ENTRY LEVEL POOL/SPA CONTROL SYSTEMS

TRADEGRADE



EasyTouch PL4/PSL4 System



The EasyTouch PL4/PSL4 Control Systems offers a new level of control for homeowner's looking for an affordable, easy to use pool/spa control system. EasyTouch PL4/PSL4 allows control pools with a smaller number of features including pumps, filters, lighting, water features, spa control, heaters and heat pumps, chemical control and sanitizing. The EasyTouch PL4 control system is a 4-circuit system, designed for a single body of water. The EasyTouch PLS4 is designed to control a pool/spa combination. Both options are available bundled with our ScreenLogic Interface Kit that allows for remote operation on a computer, smartphone, mobile digital device or right at the Power Center on the equipment pad. For more advanced features and up to 8 feature circuits, please see previous page for the EasyTouch Control System options.

CALIFORNIA PROPOSITION 65 WARNING

⚠️ **WARNING:** Cancer and Reproductive Harm.
 ⚠️ **AVERTISSEMENT:** Peut Causer le Cancer et des Dommages au Système Reproducteur.
 ⚠️ **ADVERTENCIA:** Cáncer y Daño Reproductivo.
www.p65warnings.ca.gov

Featured Highlights

EasyTouch PL4/PSL4 Features include:

- Supports 1 IntelliFlo® Pump
- Supports 2 Feature circuits
- Supports 4 IntelliFlo Pump speeds
- Supports 4 scheduled programs
- Supports ScreenLogic2® Interface
- IntelliChem® Chemical Controller support
- IntelliChlor® Sanitizer support (must use optional 520556 power center)
- Supports IntelliBrite® Lights, MagicStream® Laminars and ColorVision® Bubblers

Note: EasyTouch PL4/PSL4 Systems use the power center enclosure that does not contain a breaker base.



Use your smartphone, mobile digital device, Apple Watch® wrist wearable device or Amazon Echo® and access your pool from practically anywhere

Ordering Information

Product	Model
EASYTOUCH PL4/PSL4 SYSTEMS	
522352	EasyTouch PL4 - Single Body (base system - no ICP, no actuators)
522353	EasyTouch PL4 - Single Body with ScreenLogic Wireless Bundle (base system - no ICP, no actuators)
522354	EasyTouch PSL4 - Pool/Spa (base system - no ICP, 2 actuators)
522355	EasyTouch PSL4 - Pool/Spa with ScreenLogic Wireless Bundle (base system - no ICP, 2 actuators)
ACCESSORIES	
522464	EasyTouch PL4/PSL4 Wireless Remote
522465	EasyTouch PL4/PSL4 Indoor Control Panel
522104	ScreenLogic Wireless Bundle
520639	ScreenLogic High Power Wireless Link for large properties

EASYTOUCH® PS4/PSL4 CONTROL SYSTEMS

ACCESSORIES

Product	Description	Product	Description
ACCESSORIES FOR EASYTOUCH PS4/PSL4 SYSTEMS			
521485	IntelliValve® Valve Actuator	520736	IntelliChlor Flow Switch Replacement Kit
522464	EasyTouch PL4/PSL4 Wireless Remote	521885	iS4 Spa-side Remote, White 100 ft.
522465	EasyTouch PL4/PSL4 Indoor Control Panel	521209	QuickTouch II Wireless Remote Kit for 4 circuit systems
522104	ScreenLogic Bundle (includes 520500 and 522620)	AI101	Surge Suppressor for 115V transformer wiring
520500	Protocol Adapter Only	AI201	Surge Suppressor for 230V transformer wiring
522620	Wireless Connection Kit Complete, antenna and transceiver	520272	Air & Water Temperature Sensor (white)
520199	1000 ft. COM cable, four conductor, 22 AWG	522101	Solar Temperature Sensor (black)
520106	3HP Relay for IntelliTouch or EasyTouch	520198	Two-Speed 3HP Relay
520588	IntelliChlor Sanitizer Pass-through Cell for Winter or start-up	263045	Valve Actuator
520594	IntelliChlor Diagnostic Wand	520818	COM Port Expansion Module with 1 ft. cable
520595	IntelliChlor replacement unions (contains 2 o-rings, 2 couplers, 2 nuts)	RCS1	Additional Spa Jets Switch (for multiple jet pumps)
520670	IntelliChlor acid washing kit (contains closed end union cap, o-ring, & coupling nut)	ESO3	Emergency Shut-Off Switch w/Audible Alarm
520734	IntelliChlor 15 foot extension power cord	520967	Light Direct Connect Kit (eliminates need for j-box)

CALIFORNIA PROPOSITION 65 WARNING
 ⚠️ **WARNING:** Cancer and Reproductive Harm.
 ⚠️ **AVERTISSEMENT:** Peut Causer le Cancer et des Dommages au Système Reproducteur.
 ⚠️ **ADVERTENCIA:** Cáncer y Daño Reproductivo.
www.p65warnings.ca.gov PA82873.4



520556 - IC20, IC40, IC60 Power Center



521209 - QuickTouch® II Wireless Remote Kit



520818 - COM Port Expansion Module



521885 - iS4 Remote Control



522465 - EasyTouch PS4/PSL4 ICP for 4 circuit systems



522464 - EasyTouch PS4/PSL4 wireless for 4 circuit systems



520554 - IntelliChlor IC20 Cell
 520555 - IntelliChlor IC40 Cell
 521105 - IntelliChlor IC60 Cell



523009 - iChlor® 30 Cell Only
 523010 - iChlor 15 Cell Only

See page 376 for replacement parts.

INTELLICONNECT™

CONTROL AND MONITORING SYSTEM

TRADEGRADE



IntelliConnect Control and Monitoring System

Featured Highlights

- Enables smart connections to any of these Pentair devices: IntelliFlo® or IntelliPro® Pumps, IntelliChlor® or iChlor® Sanitizers
- Allows for two relay connections to equipment like pool or landscape lights, pool cleaner booster pumps, or single-speed pumps including competitive models
- Provides real-time information on the status of the filtration systems and other pool equipment
- Easily sets up and schedules automatic operation of connected equipment

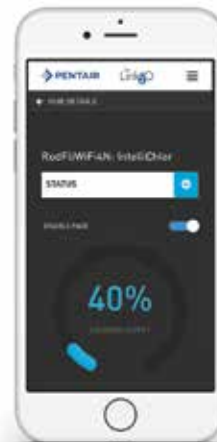
CALIFORNIA PROPOSITION 65 WARNING
 ⚠️ **WARNING:** Cancer and Reproductive Harm.
 ⚠️ **AVERTISSEMENT:** Peut Causer le Cancer et des Dommages au Système Reproducteur.
 ⚠️ **ADVERTENCIA:** Cáncer y Daño Reproductivo.
www.p65warnings.ca.gov PH201714

IntelliConnect allows pool owners to monitor and control various devices, including pumps, lights, sanitizers and more, all through an app on a smart device, for easy, convenient control. IntelliConnect provides real-time information on the status of the filtration system and other pool equipment. Pool owners can command the system to work a little harder when extra filtration is needed.

Product	Description
INTELLICONNECT CONTROL AND MONITORING SYSTEM	
523317	IntelliConnect Control and Monitoring System



IntelliFlo Pump Speed



IntelliChlor Chlorine Output

COMPOOL® CONTROL SYSTEMS TO EASYTOUCH® AUTOMATION UPGRADE

Featured Highlights

- Now works with ScreenLogic2® Interface
- Allows easy upgrade to EasyTouch® Automation functionality for the following Compool® Systems: CP3400, CP3600, CP3800, CP3810, CP1000*, CP2000*, CP3000, CP30*, CP100*, LX100EZT*, LX100EZTL*, 520348*, 520349*, TimeMaster* with LX-10 power center
- Filter pump + 7 Auxiliaries
- AUX Extra Support
- Works with EasyTouch Automation Indoor Control Panel (520549) and EasyTouch Wireless Remote (520547)
- Supports 2 VS or 2 VF IntelliFlo® Pumps, iS4 and SpaCommand® Spa Side Remotes, IntelliChlor® Salt Chlorine Generator, IntelliBrite® LED Lights, UltraTemp® Heat Pumps, and MagicStream® Laminar Jets
- 8 Feature Circuits
- Supports IntelliChem® Chemical Controller pH/ORP Control System**

* Requires Compool System to EasyTouch Automation Upgrade System with New System Transformer Kit (P/N 521247).

** Requires v2.100 firmware or higher. Visit www.pentairpool.com for the latest firmware updates.



Compool to EasyTouch Upgrade

CALIFORNIA PROPOSITION 65 WARNING
 ⚠️ **WARNING:** Cancer and Reproductive Harm.
 ⚠️ **AVERTISSEMENT:** Peut Causer le Cancer et des Dommages au Système Reproducteur.
 ⚠️ **ADVERTENCIA:** Cáncer y Daño Reproductivo.
www.p65warnings.ca.gov PS 200714

TRADEGRADE



Use your smartphone, mobile digital device, Apple Watch® wrist wearable device or Amazon Echo® and access your pool from practically anywhere

Ordering Information

Product	Description	Product	Description
COMPOOL TO EASYTOUCH UPGRADE			
521107	Compool to EasyTouch Upgrade without transformer Kit		
521247	Compool to EasyTouch Upgrade with new system transformer Kit		
COMPOOL TO EASYTOUCH UPGRADE ACCESSORIES			
522104	ScreenLogic Bundle (includes 520500 protocol adapter and 522620 wireless connection kit)	522101	Solar Temp Sensor (black)
520500	Protocol Adapter Only	520554	IntelliChlor IC20 Cell*
522620	Wireless Connection Kit Complete, antenna and transceiver	520555	IntelliChlor IC40 Cell*
520549	EasyTouch Indoor Control Panel (8 circuits)	521105	IntelliChlor IC60 Cell*
520547	EasyTouch Wireless Remote (8 circuits)	520556	IntelliChlor Power Center
521209	QuickTouch II Wireless Remote (4 circuits)	523009	iChlor 30 Cell Only-Retail
521885	iS4 Spa-side Remote, White 100 ft.	523010	iChlor 15 Cell Only-Retail
521178	SpaCommand Remote, White, 150 ft. cable	523080	iChlor 15 PWR PCK 110 Bundle
521179	SpaCommand Remote, White, 250 ft. cable	523081	iChlor 30 PWR CTR Bundle
521176	SpaCommand Remote, Black, 150 ft. cable	523108	iChlor 30 Cell Only - Canada
521177	SpaCommand Remote, Black, 250 ft. cable	523109	iChlor 15 PWR PCK Bundle - Canada
521180	Mudbox Accessory	RLYLXD	Relay Kit for 2 Speed Pumps
263045	Valve Actuator	RLYLX3HP	Additional 25 Amp, 3 HP Power Relay
521485	IntelliValve® Valve Actuator	521099Z	Compool to EasyTouch Replacement Circuit Board
520272	Air & Water Temp Sensor (black)	520818	COM port expansion Module

*** Requires the 520556 IntelliChlor® Salt Chlorine Generator Power Center when used with the Compool to EasyTouch System.

See pages 377-379 for replacement parts.

SUNTOUCH® CONTROL SYSTEM

TRADEGRADE



SunTouch System

SunTouch Control System is the easy way to keep your pool and spa clean, comfortable, and ready to enjoy. With the touch of a few buttons, you can quickly program your pool and spa filtration and heating cycles to fit your schedule. And it's just as simple to change programs or switch to manual mode for those unplanned, spontaneous plunges. With SunTouch Control System, your pump and heater automatically run whenever you want, for as long as you want so your pool and spa are always warm and inviting.

In addition to controlling your pump and heater, the standard SunTouch Control System package has the ability to schedule operation of additional functions, such as your lights or automatic cleaner. You can also add a third valve actuator to automate a solar heating system or water feature.

Featured Highlights

- One touch function – no complicated routine to memorize
- Ability to program pool and spa and two additional features. All circuits in the system can control four operating schedules (maximum six total schedules per system)
- Supports 4 feature circuits for programming convenience
- Compatible with gas or electric heaters, heat pumps, and solar systems
- Temperature control can be set in one degree increments
- Supports one IntelliFlo® Pump and IntelliChlor® Salt Chlorine Generator

CALIFORNIA PROPOSITION 65 WARNING

⚠ **WARNING:** Cancer and Reproductive Harm.
 ⚠ **AVERTISSEMENT:** Peut Causer le Cancer et des Dommages au Système Reproducteur.
 ⚠ **ADVERTENCIA:** Cáncer y Daño Reproductivo.
www.p65warnings.ca.gov

Ordering Information

Product	Description
SUNTOUCH CONTROL SYSTEMS	
520820	SunTouch Control System (pool/spa) – Includes 2 actuators, 2 temp sensors (20 ft. water, 40 in. air) and 3 relays
520819	SunTouch Solar Control System – Includes 1 actuator, 1 solar valve, and 2 temp sensors (20 ft. water, 40 in. solar)
520859	SunTouch Single Body Control System – Includes temp sensors (20 ft. water, 40 in. air) and 3 relays
520856	SunTouch Solar with 3-way valve – Includes 1 actuator, 3-way valve, and 2 temp sensors (20 ft. water, 40 in. solar)
520857	SunTouch Booster Pump Version – Includes 1 relay, and 2 temp sensors (20 ft. water, 40 in. solar)
ACCESSORIES FOR SUNTOUCH SOLAR CONTROL SYSTEMS	
521209	QuickTouch® II Wireless Remote Kit, including transceiver
520106	3HP Relay
520272	Air & Water Temperature Sensor (white)
522101	Solar Temperature Sensor (black)
520198	2 Speed Pump Relay
ES03	Emergency Shut-Off Switch w/Audible Alarm
521485	IntelliValve® Valve Actuator
263045	Valve Actuator
520967	Light Direct Connect Kit (eliminates need for J-box)

SOLARTOUCH®

SOLAR CONTROL SYSTEM

TRADEGRADE

Featured Highlights

- Digital calibration of water and solar temperature in one degree increments
- Integrates with **IntelliFlo® and IntelliPro® Variable Speed pumps**
- Set pool temperatures and solar temperature differentials with the touch of a button
- Solar valve automatically drains the solar collectors when pump shuts off
- Durable PTFE seal is maintenance-free for years of dependable service
- LCD display provides sharp, clear readings
- LED indicator lights confirm SolarTouch automation is working. Service indicator LED shows when attention is required.
- Motorized valve actuator is built to last with sturdy steel gears; highly efficient low-voltage motor; service switch for flow direction
- Weatherproof composite enclosure
- Nocturnal cooling and recirculation freeze protection with filter-pump timer override
- 3-year warranty



SolarTouch System

The SolarTouch Solar Control System offers full digital control for the most precise, efficient, swimming pool heating possible. The digital thermostat is set with the touch of a button and will monitor the temperature of the pool water and solar collectors. SolarTouch Control System integrates with IntelliFlo and IntelliPro Variable Speed pumps for unparalleled efficiency.

Ordering Information

PRODUCT	DESCRIPTION
SOLARTOUCH SOLAR CONTROL SYSTEM	
521592	SolarTouch Solar Control System with 3-way solar drain down valve, valve actuator, and 2 temp sensor (20 ft. water, 40 in. solar)
521632	SolarTouch Solar Control System with 3-way Valve, valve actuator and 2 temp sensors (20 ft. water, 40 in. solar)
521590	SolarTouch Solar Control only
521942	SolarTouch Booster Pump
521606	SolarTouch Flash Programmer (USB)

CALIFORNIA PROPOSITION 65 WARNING
 ⚠️ **WARNING:** Cancer and Reproductive Harm.
 ⚠️ **AVERTISSEMENT:** Peut Causer le Cancer et des Dommages au Système Reproducteur.
 ⚠️ **ADVERTENCIA:** Cáncer y Daño Reproductivo.
www.p65warnings.ca.gov

See page 377 for replacement parts.

REMOTE CONTROL AND MONITORING SOFTWARE FOR THE SERVICE PRO

Working through the Internet, you can remotely monitor system and equipment conditions and diagnose problems. Log-in using the advanced ScreenLogic2® Interface to make system changes as needed. This option is ideal for any service professional, particularly those with large customer territories. Handle questions or concerns without a site visit and save time and fuel while providing top-notch customer service.

Customer Name	Address	System	Remarks	W Temp	Pool Temp	Pool Set Point	Pool Actual Temp	Pool Heat Mode	Spa Temp	Spa Set Point	Spa Actual Temp	Spa Heat Mode	Spa Set Point	Spa Actual Temp	Spa Heat Mode	Light On / Off	Heater's Present	Heater's Status	Heater's Mode	Salt Level Open	Pool Chlorine Output	Spa Chlorine Output	PH	ORP	Alkalinity Level	Chlorine 3 Day Level	Water Filter	Status
Jan MacCabe	522 021	System 8-1 IntelliChlor CAC	1-102	88 F	88 F	88 F	88 F	On	88 F	88 F	88 F	On	88 F	88 F	On	Enabled	On	None	100	1.0	1.0	7.4	100	100	100	100	100	Connected OK
David MacCabe	522 021	System 8-1 IntelliChlor CAC	1-102	88 F	88 F	88 F	88 F	On	88 F	88 F	88 F	On	88 F	88 F	On	Enabled	On	None	100	1.0	1.0	7.4	100	100	100	100	100	Connected OK
Jan Wright	POOL 4.0 Build 1489	EasyTouch2	2-280	103 F	103 F	103 F	103 F	Heater	103 F	103 F	103 F	Heater	103 F	103 F	Heater	Enabled	On	None	-	-	-	-	-	-	-	-	Connected OK	
Lisa Small	POOL 4.0 Build 1489	System 7-1 IntelliChlor CAC	1-110	118 F	118 F	118 F	118 F	On	118 F	118 F	118 F	On	118 F	118 F	On	Disabled	Off	None	100	1.0	1.0	7.4	100	100	100	100	100	Connected OK
Harriet Fern	POOL 5.2 Build 182	EasyTouch2.8 IntelliChlor CAC	2-200	103 F	103 F	103 F	103 F	On	103 F	103 F	103 F	On	103 F	103 F	On	Disabled	Off	None	100	1.0	1.0	7.4	100	100	100	100	100	Connected OK
Denise Lundberg	POOL 5.2 Build 182	EasyTouch2.8	2-200	88 F	88 F	88 F	88 F	On	88 F	88 F	88 F	On	88 F	88 F	On	Heater	On	None	100	1.0	1.0	7.4	100	100	100	100	100	Connected OK
Rosmar Smith	POOL 5.2 Build 182	System 8-1 IntelliChlor CAC	1-102	88 F	88 F	88 F	88 F	On	88 F	88 F	88 F	On	88 F	88 F	On	Heater	On	None	100	1.0	1.0	7.4	100	100	100	100	100	Connected OK
Ed Howe	POOL 5.2 Build 182	System 8-1 IntelliChlor CAC	1-102	88 F	88 F	88 F	88 F	On	88 F	88 F	88 F	On	88 F	88 F	On	Heater	On	None	100	1.0	1.0	7.4	100	100	100	100	100	Connected OK

Computer screen photo shows complete system status for every customer with an IntelliTouch®, EasyTouch® or EasyTouch PL4 and PSL4 Control System. Conditions requiring attention are quickly identified and often corrected from the comfort of your office. Just point and click to turn equipment on and off, or change programs and schedules.

- **Works with EasyTouch® PL4/PSL4, EasyTouch® and IntelliTouch® Automation** – EasyTouch and IntelliTouch Automation support remote monitoring & control, while SunTouch System only supports remote monitoring.
- **Works with IntelliChem® Chemical Control System and IntelliChlor® Salt Chlorine Generator.**
- **Supports ScreenLogic2 Interface - for a complimentary copy, visit our website:**
www.pentair.com/poolsoftwaredownloads

INTELLIVALVE®

VALVE ACTUATOR

TRADEGRADE

Featured Highlights

- Thirteen (13) LEDs give precise, easy-to-read indication of valve position
- Built-in interface allows quick and simple set-up of water flow
- Sleek, minimalist design is compact and fits easily within any equipment pad
- Sealed, maintenance-free design is weatherproofed for maximum reliability and extended service life
- Suitable for 1.5", 2", 2.5" and 3" valve sizes.
- 24-volt operation for use with standard automation systems, 750 mA max amp draw
- Adjustable 3.75-degree increments within the maximum 180-degree swing



**IntelliValve
Valve Actuator**

The revolutionary IntelliValve Valve Actuator lets you set just the right flow for water features. Its intuitive controls and LED position indicator lights make operation fast and push-button easy. Thirteen (13) bright LEDs provide a clear visual indication of the valve position from fully open to fully closed and everywhere in between. Simply use the left/right and Save buttons to set the perfect flow rate in just seconds.

CALIFORNIA PROPOSITION 65 WARNING
 ⚠️ **WARNING:** Cancer and Reproductive Harm.
 ⚠️ **AVERTISSEMENT:** Peut Causer le Cancer et des Dommages au Système Reproducteur.
 ⚠️ **ADVERTENCIA:** Cáncer y Daño Reproductivo.
www.p65warnings.ca.gov PB20151A

Ordering Information

Product	Description
INTELLIVALVE	
521485	For any Pentair Automation System Compatible with control systems that use standard actuators

INTELLILEVEL™

AUTOMATIC WATER LEVELING SYSTEM

TRADEGRADE

Featured Highlights

- Monitors fill amount and fill time and indicates current water level in pool
- Maintains weighted average fill rate
- Eliminates jumper settings
- Alerts if fill fails
- Fills desired amount with a single fill
- Can be used on a static line
- No sensor wires to run to skimmer
- Recommended for **New** Pool Construction

**IntelliLevel
Leveling System**



Ordering Information

Product	Description
INTELLILEVEL	
523265	IntelliLevel Automatic Water Leveling System



CALIFORNIA PROPOSITION 65 WARNING
 ⚠️ **WARNING:** Cancer and Reproductive Harm.
 ⚠️ **AVERTISSEMENT:** Peut Causer le Cancer et des Dommages au Système Reproducteur.
 ⚠️ **ADVERTENCIA:** Cáncer y Daño Reproductivo.
www.p65warnings.ca.gov PB20151A

VALVE ACTUATOR

VALVE CONTROL SYSTEMS

TRADEGRADE



Valve Actuator

Designed for use with 2-port and 3-port valves. Features maximum torque, 24VAC bi-directional motor.

Featured Highlights

CVA24 Valve Actuator

- Helps Prevent dead-heading of pumps
- Corrosion-proof enclosure
- Service switch (for flow direction)
- ETL recognized
- UL listed for use with IntelliTouch® Automation
- Operates Compool, Ortega® or Jandy® Valves
- Compatible with all 24VAC Control Systems

CALIFORNIA PROPOSITION 65 WARNING

⚠ **WARNING:** Cancer and Reproductive Harm.
 ⚠ **AVERTISSEMENT:** Peut Causer le Cancer et des Dommages au Système Reproducteur.
 ⚠ **ADVERTENCIA:** Cáncer y Daño Reproductivo.
www.p65warnings.ca.gov

Ordering Information

Product	Model	Voltage	Cable	Rotation	Compatibility	Motor
VALVE ACTUATOR						
263043	CVA24L	24 VAC	3-wire	90 deg.	2-port Compool/Ortega/Jandy Valves	Bi-directional
263044	CVA24Y	24 VAC	3-wire	120 deg.	3-port Compool PTV2Y Valve	Bi-directional
263045	CVA24T	24 VAC	3-wire	180 deg.	3-port Compool/Ortega/Jandy Valves	Bi-directional

Jandy® is a registered trademark of Jandy Industries, Inc.

GFCI CIRCUIT BREAKERS



GFCI Circuit Breakers

Featured Highlights

- Personnel Protection GFCI
- Meets 2008 to current NEC Standards for Pool Pumps
- Compatible with IntelliTouch® and EasyTouch® Control System
- Works in any breaker base approved for use with Siemens® QPF style breakers
- Designed to protect personnel exposed to ground faults in AC, DC, and mixed AC/DC systems where levels exceed 6 millamps

Ordering Information

Product	Description	Carton Qty.	Carton Wt (Lbs.)
GFCI CIRCUIT BREAKERS			
PA215GF	2-pole 15 amp GFCI	10	11.50
PA220GF	2-pole 20 amp GFCI	10	11.50

CALIFORNIA PROPOSITION 65 WARNING

⚠ **WARNING:** Cancer and Reproductive Harm.
 ⚠ **AVERTISSEMENT:** Peut Causer le Cancer et des Dommages au Système Reproducteur.
 ⚠ **ADVERTENCIA:** Cáncer y Daño Reproductivo.
www.p65warnings.ca.gov

Siemens® is a registered trademark of Siemens Aktiengesellschaft.

LX80 & LX820 SYSTEMS

COMMERCIAL POOL/SPA CONTROL SYSTEMS

TRADEGRADE

Featured Highlights

LX802 Commercial Pool/Spa Control System

- Emergency Shut-off Switch (disables all pumps)
- Audio Alarm
- Power Center available at the equipment site, features: mechanical time clocks for the Pool and Spa Filter Pumps, power relays (3) for Pool and Spa Filter Pumps and Spa jet Pump, electronic cool-down cycle for pool and spa heaters and equipment service switches

LX8202 Emergency Shut-off System

- Emergency Shut-off Switch
- Audio Alarm
- Power Center at the equipment site with equipment status lights and power relays (2) for Spa Filter Pump and Jet Booster Pump



LX802

Designed for a commercial pool and spa application. Provides Remote Spa Jets switch (suitable for outdoor locations) with electronic countdown timer (15/30 minutes).

CALIFORNIA PROPOSITION 65 WARNING

⚠️ **WARNING:** Cancer and Reproductive Harm.
 ⚠️ **AVERTISSEMENT:** Peut Causer le Cancer et des Dommages au Système Reproducteur.
 ⚠️ **ADVERTENCIA:** Cáncer y Daño Reproductivo.
www.p65warnings.ca.gov

Ordering Information

Product	Circuits	Power Relays Std/Max	Circuit Breaker Capacity	Voltage	Relay Amp Inductive
LX80 & LX820 COMMERCIAL POOL/SPA CONTROL SYSTEMS					
LX802*	Pool Filter, Spa Filter, Jet1, Jet2	3 / 8	N/A	115V/230V	20
LX8202	*Spa Filter, Jet1, Jet2	2 / 3	N/A	115V/230V	20

* LX80 and LX820 systems standard relays included are 20 amp 2HP. Part number RLYLX3HP can be ordered if installing a 3HP pump.



LX8202

Designed for retrofitting commercial spas where an emergency shut-off switch is required.

ACCESSORIES FOR LX80 COMMERCIAL POOL/SPA CONTROL SYSTEM

263045	Valve Actuator
RCS1	Additional Spa Jets Switch (for multiple jet pumps)
ES03	Emergency Shut-Off Switch w/Audible Alarm
RLYLX	Additional Power Relay (for auxiliary equipment)
RLYLX3HP	Additional 25 Amp, 3 HP Power Relay (for auxiliary equipment)
RYALX	Harness to operate 2 Power Relays from one control circuit
TS5L	Solar Temperature Sensor

ACCESSORIES FOR LX8202 COMMERCIAL POOL/SPA CONTROL SYSTEM

RLYSC	Additional Power Relay (for second jet pump or filter pump)
RLYSC3HP	Additional 25 Amp, 3 HP Power Relay (for auxiliary equipment)

INTELLICHEM® CHEMICAL CONTROLLER

TRADEGRADE




IntelliChem
Chemical
Controller



Chemical Tanks
with on board
pumps

The IntelliChem Chemical Controller automatically monitors pool pH and sanitizing levels and delivers just the right amount of chemicals. IntelliChem Chemical Controller can work independently or in conjunction with other Pentair automation products. It's built-in Langelier Saturation Index calculator lets pool owners know when the water is in or out of balance. IntelliChem Chemical Controller uses the same technology found in commercial installations, water parks, hotel and community pools.

Featured Highlights

- Auto Setup/Configuration wizard makes start-up quick and easy
- Programmable chemical feed cycle and mix times for precise water balance
- Assures safe water conditions by preventing excess chemical addition
- Built-in Langelier Saturation Index calculator lets you know when your water chemistry is perfectly in or out of balance
- Minimizes chemical costs by adding chemicals with precision
- Flow sensor ensures chemicals won't feed without system flow
- Password-protected access prevents tampering or accidental program change
- Seamless interface with IntelliTouch®, EasyTouch®, SunTouch® Automation Systems and ScreenLogic2® Interface for superior chemical management
- Compatible with IntelliChlor® Salt Chlorine Generators, external dosing pumps, and CO₂ systems

CALIFORNIA PROPOSITION 65 WARNING

⚠ **WARNING:** Cancer and Reproductive Harm.
 ⚠ **AVERTISSEMENT:** Peut Causer le Cancer et des Dommages au Système Reproducteur.
 ⚠ **ADVERTENCIA:** Cáncer y Daño Reproductivo.
www.p65warnings.ca.gov

Ordering Information

Product	Description	Application
INTELLICHEM CHEMICAL CONTROLLER		
521357	Controller Only	For systems using external feed pumps, IntelliChlor, or CO ₂ . Containers ordered separately. The 521357 Controller is NSF Listed.
522621	Controller and Acid Tank with Tank Mounted Pump ^{1,2}	For systems requiring a tank and pump for feeding liquid acid
522622	Controller and Acid and Chlorine Tanks with Tank Mounted Pumps ^{1,2}	For systems requiring tanks and pumps for feeding liquid acid and chlorine
INTELLICHEM CHEMICAL CONTROLLER ACCESSORIES		
522472	Acid Tank with Tank Mounted Pump ^{1,2}	Convenient and innovative container for storing and feeding liquid acid. No external pump required.
522473	Chlorine Tank with Tank Mounted Pump ^{1,2}	Convenient and innovative container for storing and feeding liquid chlorine. No external pump required
521378	Acid Container ¹ without pump	Convenient and innovative container for storing muriatic acid (must provide separate external pump or can be upgraded with the new pump on tank PN 522474)
521397	Chlorine Container without pump	Convenient and innovative container for storing chlorine (must provide separate external pump or can be upgraded with the new pump on tank PN 522474)
522480	Stenner Blue Pump on Tank Tube ² Replacement (2/pk)	Replacement tubes for blue tank mounted pump
522474	Upgrade Kit for IntelliChem Container	Upgrade older non-pump containers (521378 & 521397) with the new tank mounted pump
522478Z	Upgrade Kit for IntelliChem Controller	Upgrade controller only systems to use the new tank mounted pumps
714000070	CO ₂ Kit w/Diffuser, Solenoid, Regulator	For systems using CO ₂ to lower pH levels.
521622	IntelliChem Winterizing Kit	Includes protective end caps and solution for storing pH and ORP probes in freezing climates
521498	IntelliChem Flash Programming Kit	Upgrade IntelliChem Chemical Controllers to the latest firmware for added functionality and improved performance

¹ Pentair always recommends 1:1 dilution when using full strength muriatic acid. When mixing, remember to always add acid to water.

² Pentair recommends replacing peristaltic pump tubes every 6 months.
Note: Always try to position container off the equipment pad (if possible).



See page 380-381 for
replacement parts.

COMMERCIAL INTELLICHEM®

COMMERCIAL CHEMICAL CONTROLLER

Featured Highlights

- Dual sanitizer support
- Programmable chemical feed cycle and mix times for precise water balance
- Assures safe water conditions by preventing excess chemical addition in a 24 hour period
- Built-in Langelier Saturation Index calculator lets you know when your water chemistry is perfectly in or out of balance
- Flow sensor ensures chemicals won't feed without system flow
- Password-protected access prevents tampering or accidental program change
- Use of ScreenLogic2® on PC and iOS® device offers the ability to keep track of pH and ORP levels and make adjustments locally or remotely
- Compatible with IntelliChlor® Salt Chlorine Generators, external dosing pumps, and CO₂ systems
- Comes with #2 tube rated at 10gpd (larger tube sizes can be used)
- ScreenLogic for Commercial IntelliChem iOS device is available on Apple® App Store®



CALIFORNIA PROPOSITION 65 WARNING

⚠ **WARNING:** Cancer and Reproductive Harm.
 ⚠ **AVERTISSEMENT:** Peut Causer le Cancer et des Dommages au Système Reproducteur.
 ⚠ **ADVERTENCIA:** Cáncer y Daño Reproductivo.
www.p65warnings.ca.gov PN 2027514

Ordering Information

Product	Description	Application
COMMERCIAL INTELLICHEM CHEMICAL CONTROLLER		
522577	IntelliChem Commercial System 1 pump ^{1,2}	Dual sanitization support w/standalone ScreenLogic remote PC and iOS device connectivity. Pre-mounted and pre-wired on 2'x2' plastic backboard. Containers ordered separately. The 522577 Controller is ETL Listed to NSF 50 Standard
522578	IntelliChem Commercial System 2 pumps ^{1,2}	Dual sanitization support w/standalone ScreenLogic remote PC and iOS device connectivity. Pre-mounted and pre-wired on 2'x2' plastic backboard. Containers ordered separately. The 522578 Controller is ETL Listed to NSF 50 Standard
INTELLICHEM CHEMICAL CONTROLLER ACCESSORIES		
751000610	Stenner 10GPD External Pump ^{1,2}	10GPD Stenner pump for feeding liquid acid or chlorine
522650	Stenner 10GPD Pump Tube 2 pk. ^{1,2}	10GPD Stenner pump tubes for every 6-month replacement
522651	Stenner 10GPD Pump Tube 5 pk. ^{1,2}	10GPD Stenner pump tube for every 6-month replacement

¹Pentair always recommends 1:1 dilution when using full strength muriatic acid.

When mixing, remember to always add acid to water.

²Pentair recommends replacing peristaltic pump tubes every 6 months.

Note: Always try to position container off the equipment pad (if possible).

iOS® is a registered trademark of Cisco Technology, Inc. in the United States and/or other countries.

Apple® and App Store® are registered trademarks of Apple Inc., in the United States and/or other countries.



See page 383 for replacement parts.

INTELLIPH® PH CONTROLLER

CHEMICAL CONTROLLER

TRADEGRADE



IntelliPH Controller
Requires IntelliChlor Generator
Version 3 (2010 +)

Featured Highlights

- Protects your pool equipment from corrosion when pH swings in and out of balance
- Acid dispensing rate adjusts with the touch of a button
- Makes sanitizing more effective by eliminating fluctuations in pH level
- Pump style lid seals securely assuring safe operation
- Bolts securely to the equipment pad to prevent poolside acid spills
- Powered by either IntelliChlor® Salt Chlorine Generator Power Center or EasyTouch® or IntelliTouch® Automation system with IntelliChlor Generator support for easy wiring and installation
- UL and cUL listed
- One-year limited warranty on electronics and metering pump
- New pump design allows for tool-less pump tube replacement

IntelliPH Controller is a safe and convenient way to regulate a swimming pool's pH level. It automatically dispenses muriatic acid into the pool to eliminate fluctuations in the pH level. IntelliPH is the perfect companion for the IntelliChlor Salt Chlorine Generator and together they help sanitize and balance pool water to keep it sparkling clear.

Ordering Information

Product	Description
INTELLIPH	
521377	IntelliPH controller with acid container ¹
522480	Stenner replacement head pump tubes 2-pk (replace annually)

¹ Pentair always recommends 1:1 dilution when using full strength muriatic acid. When mixing, remember to always add acid to water.

Note: Always try to position container off the equipment pad (if possible).

*Pentair recommends replacing peristaltic pump tubes every 6 months.



CALIFORNIA PROPOSITION 65 WARNING
 ⚠️ **WARNING:** Cancer and Reproductive Harm.
 ⚠️ **AVERTISSEMENT:** Peut Causer le Cancer et des Dommages au Système Reproducteur.
 ⚠️ **ADVERTENCIA:** Cáncer y Daño Reproductivo.
www.p65warnings.ca.gov PH 2017-1A

ACU-TROL®

COMMERCIAL CHEMICAL CONTROLLER

Featured Highlights

- AcuCom Software
- Multiple control for 1, 2, or 3 bodies of water
- Programmable pH, ORP and temperature set points
- Programmable proportional feed for precise chemical feed
- Programmable acid, CO₂ or base feed for pH control
- Relay configuration shortcuts with Acu-Trol Controller Wizards
- Auto backwash filters for up to two bodies of water
- Flow cell with built-in flow switch, shut-off valves, inlet strainer and sampling port
- 16 relays with three (3) voltage configurations



AK600

Acu-Trol Chemical Controller is the advanced choice for aquatic facilities worldwide. These efficient systems interface seamlessly to protect, monitor, and manage water chemical balance in aquatic environments and infrastructures. The Acu-Trol Chemical Controller is compatible with the commercial IntelliChlor® Salt Chlorine Generator, Rainbow erosion feeder and/or liquid feed pumps.

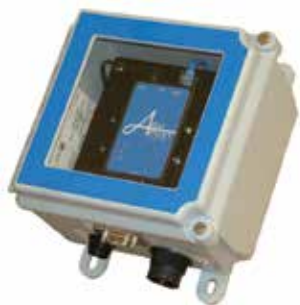
Ordering Information

Part Number	Product Name	Description
AK600 PUMP ROOM CONTROLLER		
701000170	AK600PS-A1	Controller, AK600, 1 Body, pH, ORP, Temp, FC
701000180	AK600PS-A2	Controller, AK600, 2 Body, pH, ORP, Temp, FC
701000190	AK600PS-A3	Controller, AK600, 3 Body, pH, ORP, Temp, FC
TESTING EQUIPMENT		
755000240	Duo Check	Test meter, pH/ORP input output
SENSORS		
744000260	AKpH-FB	Sensor, pH, Blue, BNC, Sensor Only
744000330	AKORP-FB	Sensor, ORP, Red, BNC, Sensor Only
744000390	AKORG-FB	Sensor, ORP, Gold Tip, BNC, Sensor Only
STENNER PUMPS - STENNER 45 SERIES - SINGLE HEAD		
751000470	45M3-1/4B	Pump, Adj. 1/4 in. Blk tubing 120V 25PSI #3 22GPD
STENNER TANKS		
751002600	STS15GC	Storage Tank, Chem, 15 gal, UV Gray
751002610	STS30GC	Storage Tank, Chem, 30 gal, UV Gray

For proper controller selection, application assistance, technical support, and pricing, please contact your local Pentair Aquatic Systems Representative or contact the factory at 800-831-7133.

CALIFORNIA PROPOSITION 65 WARNING	
⚠	WARNING: Cancer and Reproductive Harm.
⚠	AVERTISSEMENT: Peut Causer le Cancer et des Dommages au Système Reproducteur.
⚠	ADVERTENCIA: Cáncer y Daño Reproductivo.
www.p65warnings.ca.gov. <small>PN 201514</small>	

ACUPOINT™ WIRELESS COMMUNICATION COMMERCIAL CHEMICAL CONTROLLER



AcuPort Wireless
Communication

Featured Highlights

- Ethernet, WiFi, or RS-422/485 connectivity options
- Interfaces with the AK110 and AK600
- Easy Windows based installation and configuration
- Dedicated communication with a single controller
- 120VAC power adapter
- Ready-to-use RS-232 serial cable
- Waterproof and corrosion-resistant, easy-to-install enclosures and connectors
- Bidirectional communication and control

Ordering Information

Part Number	Product Name	Description
ACUPOINT CHEMICAL CONTROLLER		
731000010	AP1000	AcuPort 1000 RS232 to Ethernet
731000020	AP1100	AcuPort 1100 RS232 to wireless or Ethernet

AKCOLOR™ COLORIMETRIC CHEMICAL FEEDER COMMERCIAL CHEMICAL CONTROLLER



AKColor Colorimetric
Chemical Feeder

Featured Highlights

- Available in Single (compatible with AK110™ and AK600™) or Dual, compatible with AK600 multi-pool water chemistry sensor
- Measures free, total and combined chlorine
- DPD colorimetric measurement technology
- Selectable sample rates
- Compatible with salt chlorine generators
- Interfaces with the AK110 and AK600
- Upgrades available

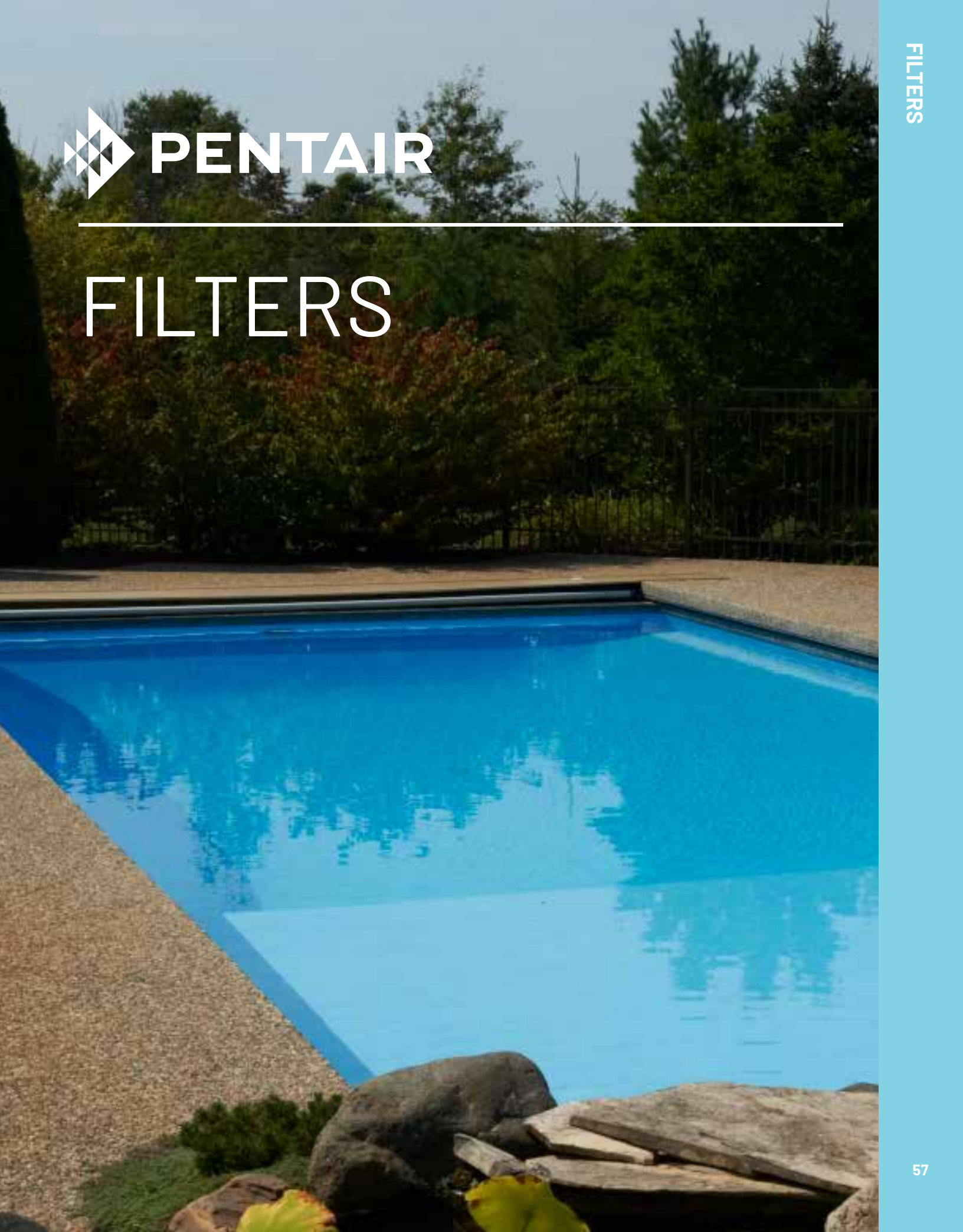
Ordering Information

Part Number	Product Name	Description
AKCOLOR COLORIMETRIC CHEMICAL FEEDER		
741000000	AKCF *	AKColor Complete Free (Needs 615 Sensor Card)
741000010	AKCT *	AKColor, Total, Complete Free (Needs 615 Sensor Card)
741000030	AKDF *	AKColor, Dual Free (Needs 615 and 616 Sensor Card)

* No Sensor Card



FILTERS



CLEAN & CLEAR® PLUS FILTERS

FIBERGLASS REINFORCED POLYPROPYLENE TANK

Featured Highlights

- Certified to NSF/ANSI Standard 50
- Large filter area for increased dirt capacity
- 1-1/2 in., 100% drain clean-out port
- Continuous High Flow™ Internal Air Relief *
- Base and plumbing kits available
- Injection molded tank
- Balanced hydraulic flow
- Tension Control™ Clamp
- 100% factory tested
- Black bulkhead unions
- High Flow manual air relief valve



TRADEGRADE



Clean & Clear Plus Filter

Clean & Clear Plus Filters have a corrosion resistant injection molded filter tank featuring superior strength and reliability. The cartridge assembly uses four easy to clean, non-woven, polyester cartridges. Each filter is supplied with a bulkhead union set for easy installation.

Ordering Information

Product	Model	Effective Filtration Area (Sq. Ft.)	Flow Rate ² (GPM Res)	Turnover Capacity (In Gallons)			Carton Qty.	Carton Wt. (Lbs.)
				8 Hour	10 Hour	12 Hour		
CLEAN & CLEAR PLUS FILTERS								
160310	CCP240	240	90	43,200	54,000	64,800	1	60
160340	CCP320 ¹	320	120	57,600	72,000	86,400	1	70
160301	CCP420 ¹	420	150	72,000	90,000	108,000	1	80
160332	CCP520 ¹	520	150	72,000	90,000	108,000	1	90

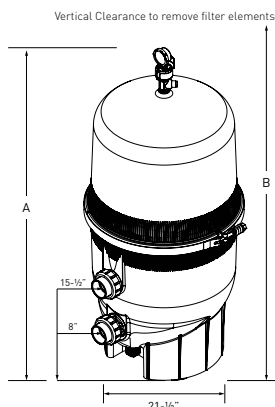
¹ NSF Listed.

² Residential rate .375 GPM per sq. ft. of filter area.

Certified to NSF/ANSI Standard 50

Dimension Table

Model	A Dim.	B Dim.
160310	37"	56"
160340	43"	62"
160301	49"	68"
160332	56"	74"



Dimensions and Performance

Note: Actual system flow will depend on plumbing size and other system components.

Note: Pentair Aquatic Systems does not recommend flow rates above 150 GPM.

* Integrated continuous High Flow internal air relief is operational only when there is unobstructed flow in the circulating system.

Note: Operating Limits – maximum continual operating pressure of 50 PSI. Pool/spa (bather) applications, maximum operating water temperature (internal filter) 104°F (40°C).

CALIFORNIA PROPOSITION 65 WARNING

⚠ **WARNING:** Cancer and Reproductive Harm.
 ⚠ **AVERTISSEMENT:** Peut Causer le Cancer et des Dommages au Système Reproducteur.
 ⚠ **ADVERTENCIA:** Cáncer y Daño Reproductivo.

www.p65warnings.ca.gov. PH2017L4

See page 386 for replacement parts.

CLEAN & CLEAR® FILTERS

FIBERGLASS REINFORCED POLYPROPYLENE TANK

TRADEGRADE

Clean & Clear Filter



Featured Highlights

- Certified to NSF/ANSI Standard 50
- Unionized connections
- Integrated continuous High Flow™ Internal Air Relief *
- Chemical resistant tank body
- Lock ring with spring-loaded safety latches
- Coreless cartridge for easy cleaning
- High Flow manual air relief valve
- 1 in. drain and wash out
- Single piece base and body design

The Clean & Clear Filter features a chemical resistant tank with no-tool servicing and a coreless cartridge for easier cleaning. All models are equipped with easy spin-on unions for plumbing hook-ups. These filters are NSF listed, and are available in 50, 75, 100, 150, and 200 square foot sizes.

CALIFORNIA PROPOSITION 65 WARNING

⚠️ **WARNING:** Cancer and Reproductive Harm.
 ⚠️ **AVERTISSEMENT:** Peut Causer le Cancer et des Dommages au Système Reproducteur.
 ⚠️ **ADVERTENCIA:** Cáncer y Daño Reproductivo.
www.p65warnings.ca.gov

Ordering Information

Product	Model	Effective Filtration Area (Sq. Ft.)	Flow Rate ¹ (GPM Res)	Turnover Capacity (In Gallons)			Carton Qty.	Carton Wt. (Lbs.)
				8 Hour	10 Hour	12 Hour		
CLEAN & CLEAR FILTERS								
160314	CC 50	50	50	24,000	30,000	36,000	1	15
160315	CC 75	75	75	36,000	45,000	54,000	1	26
160316	CC 100	100	100	48,000	60,000	72,000	1	33
160317	CC 150	150	150	72,000	90,000	108,000	1	35
160318	CC 200	200	150	72,000	90,000	108,000	1	35

¹ One GPM per sq. ft. shown recommended flow rate .5 GPM per sq. ft.

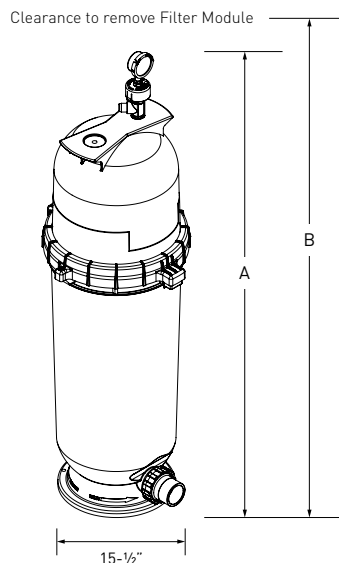
Dimensions and Performance

Note: Actual system flow will depend on plumbing size and other system components.

Note: Pentair Aquatic Systems does not recommend flow rates above 150 GPM.

* Integrated continuous High Flow internal air relief is operational only when there is unobstructed flow in the circulating system.

Note: Operating Limits – maximum continual operating pressure of 50 PSI. Pool/spa (bather) applications, maximum operating water temperature (internal filter) 104°F (40°C).



Certified to NSF/ANSI Standard 50

Dimension Table

Model	A Dim.	B Dim.
160314	18"	30"
160315	25-1/2"	39"
160316	33"	61"
160317	40-1/2"	76"
160318	40-1/2"	76"

CLEAN & CLEAR® RP FILTERS

FIBERGLASS REINFORCED POLYPROPYLENE TANK

Featured Highlights

- Nearly 50% more energy efficient than other single cartridge filters
- Cartridge is easy to remove and rinse
- Low-force, quick-connect diamond-seal fastens easily with no tools required
- Chemical resistant tank body
- High Flow™ Manual Air Relief valve and continuous internal air relief
- 1-1/2 in. drain and washout for quick and convenient maintenance and winterization
- Easy turn Lock-ring

CALIFORNIA PROPOSITION 65 WARNING

⚠ **WARNING:** Cancer and Reproductive Harm.
 ⚠ **AVERTISSEMENT:** Peut Causer le Cancer et des Dommages au Système Reproducteur.
 ⚠ **ADVERTENCIA:** Cáncer y Daño Reproductivo.
www.p65warnings.ca.gov

TRADEGRADE



Clean & Clear RP Filter

The Clean & Clear RP cartridge filter has a side entry port, which provides nearly 50% more efficiency than any other single cartridge filter available. Inside, the Clean & Clear RP has increased cartridge surface consistency to block and trap particles as small as 20 microns.

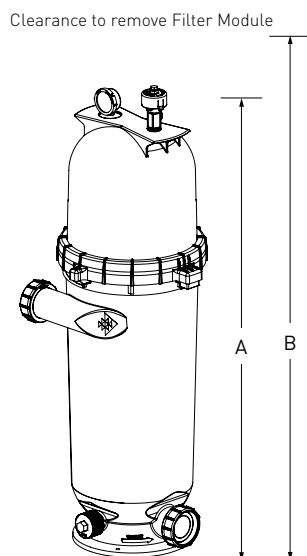
Ordering Information

Product	Model	Effective Filtration Area (Sq. Ft.)	Flow Rate ¹ (GPM Res)	Turnover Capacity (In Gallons)			Carton Qty.	Carton Wt. (Lbs.)
				8 Hour	10 Hour	12 Hour		
CLEAN & CLEAR RP FILTERS								
160354	CCRP 100	100	100	48,000	60,000	72,000	1	33
160355	CCRP 150	150	150	72,000	90,000	108,000	1	35
160353	CCRP 200	200	150	72,000	90,000	108,000	1	35

¹ One GPM per sq. ft. shown recommended flow rate .5 GPM per sq. ft.

Certified to NSF/ANSI Standard 50

Clean & Clear RP		
Model	A Dim	B Dim
160354	33"	61"
160355	40.5"	76"
160353	40.5"	76"



Dimensions and Performance

Note: Actual system flow will depend on plumbing size and other system components.

Note: Pentair Aquatic Systems does not recommend flow rates above 150 GPM.

* Integrated continuous High Flow internal air relief is operational only when there is unobstructed flow in the circulating system.

Note: Operating Limits – maximum continual operating pressure of 50 PSI. Pool/spa (bather) applications, maximum operating water temperature (internal filter) 104°F (40°C).

See page 387 for replacement parts.

DYNAMIC® FILTER SERIES

FOR SPAS, HOT TUBS AND SWIMMING POOLS



Dynamic Filter Series

Featured Highlights

- Free standing base optional on all but DSC models
- All cartridges are manufactured of the finest quality filter media

The Dynamic Filter Series line includes in-line, top load, safety flange lily pad and safety skim filters with automatic chemical dispensers and a host of features created for the leading spa manufacturers throughout the country.

Ordering Information

Product	Model	Description	Effective Filtration Area (Sq. Ft.)	Max GPM	Plumbing Size	Filter Dimensions		Carton Qty.	Carton Wt. (Lbs.)
						Height	Diameter		
DYNAMIC FILTER SERIES II TOP LOAD 2 in. HIGH FLOW FILTERS									
R172502J	RTL 25	Slip, 3 oz. cartridge	25	100	2 in. socket	18 in.	8-1/4 in.	4	27
R172503	RTL 75	Slip, 3 oz. cartridge	75	100	2 in. socket	25 in.	8-1/4 in.	4	30
R172504B	RTL 50	Slip, 3 oz. cartridge	50	100	2 in. socket	18 in.	8-1/4 in.	4	28
R172505	RTL 100	Slip, 3 oz. cartridge	100	100	2 in. socket	31-1/2 in.	8-1/4 in.	4	32
DYNAMIC FILTER SERIES III TOP LOAD 2 in. HIGH FLOW FILTERS WITH CHLORINE/BROMINE DISPENSERS									
R172523	RCF 25	Slip, 3 oz. cartridge	25	100	2 in. socket	18 in.	8-1/4 in.	4	28
R172535	RCF 50	Slip, 3 oz. cartridge	50	100	2 in. socket	18 in.	8-1/4 in.	4	30
R172503C	RCF 75	Slip, 3 oz. cartridge	75	100	2 in. socket	25 in.	8-1/4 in.	4	32
R172505C	RCF 100	Slip, 3 oz. cartridge	100	100	2 in. socket	31-1/2 in.	8-1/4 in.	4	34
DYNAMIC FILTER SERIES IV FLOATING LILY PAD WEIR FILTERS ¹									
R172545	DFM 50	Low profile (no weir) short basket	50	100	2 in. socket	17-1/2 in.	8-1/2 in.	4	26
R172664	DFML 25	Lily pad weir, lock ring mount	25	100	2 in. socket	19-3/8 in.	8-1/2 in.	4	27
R172666	DFML 25C	Compact, (not available with dispenser)	25	100	2 in. socket	12-7/8 in.	8-1/2 in.	4	22
R172668	DFML 25	With chlorine/bromine dispenser	25	100	2 in. socket	19-3/8 in.	8-1/2 in.	4	28
R172670	DFML 35	Lily pad weir, lock ring mount	35	100	2 in. socket	15-1/2 in.	8-1/2 in.	4	24
R172674	DFML 50	Lily pad weir, lock ring mount	50	100	2 in. socket	19-3/8 in.	8-1/2 in.	4	28
SAFETY FACE PLATE KIT ¹									
R172555WH		Safety face plate kit, white						4	5

CALIFORNIA PROPOSITION 65 WARNING

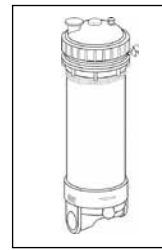
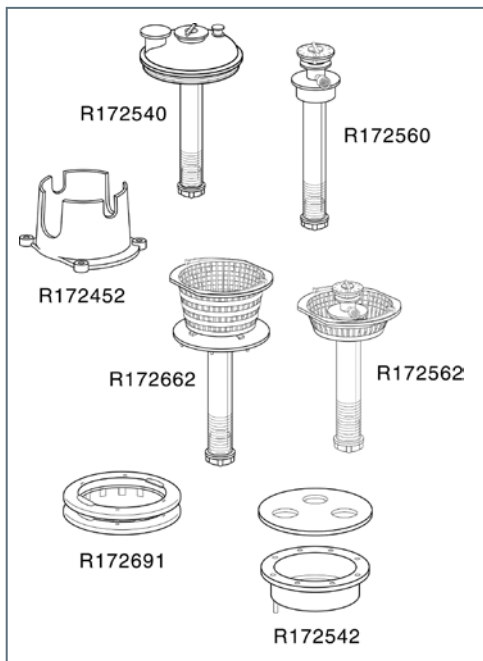
▲ **WARNING:** Cancer and Reproductive Harm.
▲ **AVERTISSEMENT:** Peut Causer le Cancer et des Dommages au Système Reproducteur.
▲ **ADVERTENCIA:** Cáncer y Daño Reproductivo.

www.p65warnings.ca.gov
PR020174A

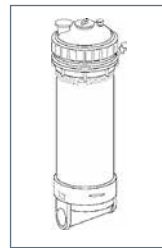
DYNAMIC® FILTER SERIES (CONT'D)

ACCESSORIES FOR DYNAMIC FILTER SERIES II, III, IV, V		
R172452	Free standing base for Dynamic Filter Series II and III	Bulk
R172540	Chlorine/Bromine Dispenser for Dynamic Filter Series II and III	Bulk
R172560	Chlorine/Bromine Dispenser for Dynamic Filter Series IV Skim	Bulk
R172562	Chlorine/Bromine Dispenser w/ basket for DFM 50	Bulk
R172662	Chlorine/Bromine Dispenser w/ basket for DFML 25, 35, 50	Bulk

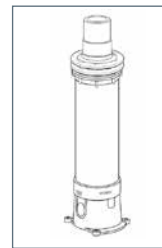
¹ All available in white. For sterling silver top add "SS" to order number. For dark grey add "DG."



RLT-25



RCF-25



DMFL-25

See page 389–394 for replacement parts.

SYSTEM:3® MODULAR MEDIA FILTERS

SM SERIES FILTERS



TRADEGRADE



System:3 Modular Media Filter
SM Series

Featured Highlights

- **Typical Installation** – Inground pools, inground hot tubs, and water features
- **Quality Construction** – Durable two-piece tank housing constructed of Dura-Glas™, Sta-Rite's industry leading glass reinforced composite resin
- **Innovative Design** – The innovative balanced flow design first introduced with the System : 3 Mod Media is still the standard of the industry
- **Low Maintenance** – Complete media coverage combined with shallow pleats means greater dirt holding capabilities, resulting in longer filter cycles and less cleaning
- **Quick Service** – The shallow pleat design allows you to simply hose off the elements in a matter of minutes, making servicing a snap
- **Dual Drain Plugs** – Side plug available for plumbing to waste, while the bottom plug will drain entire filter

With the System : 3 Modular Media Filter, Sta-Rite brings you the product that makes Ultra-Capacity Filtration™ a reality. No longer simply "cartridges," Sta-Rite's advanced technology has brought an entirely new class of filtration to the industry. Sta-Rite's modular media concept incorporates the latest in media science, perfectly balanced flow, and an integral manifold design: namely, Ultra-Capacity Filtration. This filtration concept puts totally care-free operation within reach of today's pool owners. Modular Filter Tanks allows for quick change of filter medias without changing the tank. Contemporary style and matte black finish looks attractive in any pool setting.

Ordering Information

Product	Effective Filter Area (Sq. Ft.)	Flow Rated ¹ GPM (Sq. Ft.)	Turnover Capacity (In Gallons) (Flow Rate x 60 x Hours)			Tank Port Size	Carton Wt. (Lbs.)
			6 Hour	8 Hour	10 Hour		
SYSTEM:3 MODULAR MEDIA FILTER - SM SERIES							
S7M120	300	50-100	18-36,000	24-48,000	30-60,000	2 in.	120
S7M400 ¹	400	50-115	18-41,000	24-55,000	30-69,000	2 in.	125
S8M150 ¹	450	50-124	18-45,000	24-60,000	30-74,000	2 in.	147
S8M500 ¹	500	50-130	18-46,000	24-62,400	30-78,000	2 in.	150

¹ Based on NSF rated flow range of .333 GPM per square foot for the S7M120.
.288 GPM per square foot for the S7M400, .275 GPM for the S8M150 and .26 GPM per square foot for the S8M500.

Note: No backwash valve required.

Note: Operating Limits – maximum continual operating pressure of 50 PSI. Pool/spa (bather) applications, maximum operating water temperature (internal filter) 104°F (40°C).

CALIFORNIA PROPOSITION 65 WARNING

▲ **WARNING:** Cancer and Reproductive Harm.
▲ **AVERTISSEMENT:** Peut Causer le Cancer et des Dommages au Système Reproducteur.
▲ **ADVERTENCIA:** Cáncer y Daño Reproductivo.

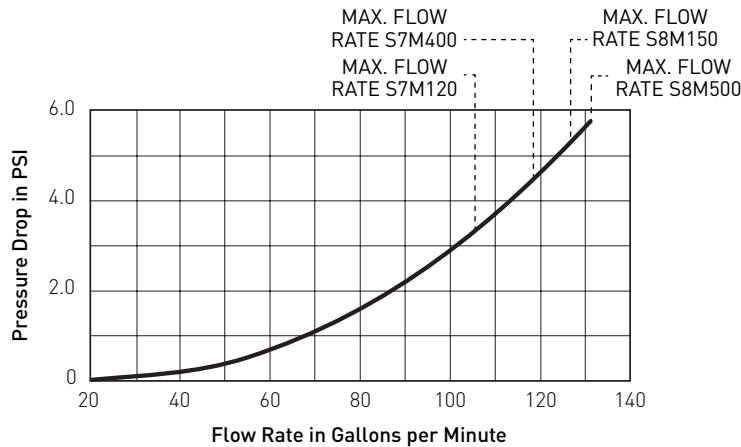
www.p65warnings.ca.gov. P65001A

SYSTEM:3® MODULAR MEDIA FILTERS (CONT'D)

SM SERIES FILTERS

Ordering Information

Product	Description	Carton Wt. (Lbs.)
ACCESSORIES FOR SYSTEM:3 MODULAR MEDIA FILTER - SM SERIES		
PKG 188Z	Union x 2 in. Slip Adapter - Pkg. of 2	1
PKG 189	Union x 2 in. FPT Adapter - Pkg. of 2	1
77703-0100	Union x 1-1/2 in. FPT Adapter - Pkg. of 2	1
77703-0101	Union x 1-1/2 in. Slip Adapter - Pkg. of 2	1
25021-0200S	100 sq. ft. Inner Replacement Module for S7M120	9
25022-0201S	200 sq. ft. Outer Replacement Module for S7M120	21
25021-0223S	136 sq. ft. Inner Replacement Module for S7M400	11
25022-0224S	264 sq. ft. Outer Replacement Module for S7M400	24
25021-0202S	191 sq. ft. Inner Replacement Module for S8M150	18
25022-0203S	259 sq. ft. Outer Replacement Module for S8M150	27
25021-0224S	209 sq. ft. Inner Replacement Module for S8M500	19
25022-0225S	291 sq. ft. Outer Replacement Module for S8M500	28
25021-0021	Modular Media Conversion Kit - S7M120/S7M400 (Order Modules Separately)	4
25021-0025	Modular Media Conversion Kit - S8M150/S8M500 (Order Modules Separately)	5

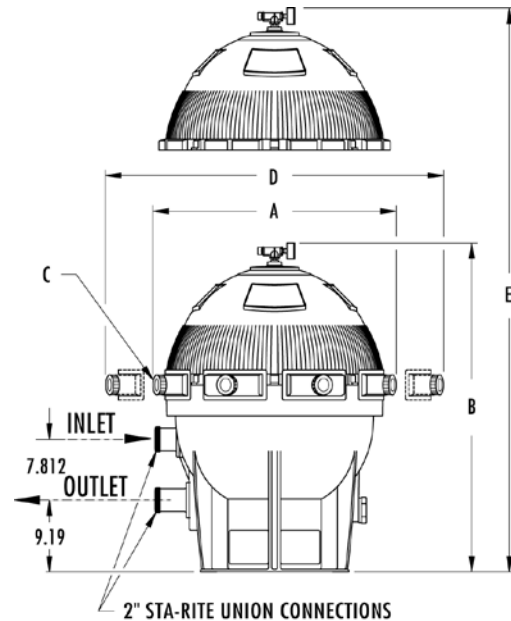


Catalog Number	DIMENSION				
	A	B	C	D	E
S7M120/S7M400	28-1/2	42	7	36	50
S8M150/S8M500	32-1/2	42-1/4	8	40	50

- A = width
 - B = height
 - C = number of clamps
 - D = area (width) needed to take off clamps
 - E = area (height) needed to remove top half of tank
- All dimensions shown in inches.

Dimensions and Performance

**Certified to
NSF/ANSI Standard 50**



See page 395 for replacement parts.

SYSTEM:2™ MODULAR MEDIA FILTERS

PLM SERIES FILTERS



TRADEGRADE



System:2 Modular Media Filters
PLM Series

Featured Highlights

- **Typical Installation** – aboveground pools, inground pools, and inground hot tubs
- **Quality Construction** – Durable two-piece tank housing constructed of rugged ABS thermoplastic to ensure a long-lasting tank life
- **Easy Access** – Posi-Ring® Locking Ring provides fast access to tank internals
- **Innovative Design** – The innovative balanced flow design first introduced with the System : 3 Mod Media filter is now available in the smaller System:2 filter, virtually maintenance-free operation for pools of all sizes
- **Low Maintenance** – Complete media coverage combined with shallow pleats means greater dirt holding capabilities, resulting in longer filter cycles and less cleaning
- **Large Drain Plug** – Filter includes 2 in. NPT Drain ports, which are provided with reducer bushing and 1-1/2 in. drain plug

Sta-Rite's modular media filtration is the perfect match for both the inground and aboveground pool markets. Advances in media technology and balanced flow design provide dirt-loading capabilities up to 15 times greater than sand filters of equivalent size. Virtually maintenance-free operation for today's pool owner. The small diameter footprint makes the System:2 filter a perfect fit for new and retrofit installations.

Modular Filter Tanks allows for quick change of filter medias without changing the tank. Contemporary style and matte black finish looks attractive in any pool setting.

Ordering Information

Product	Effective Filter Area (Sq. Ft.)	Flow Rated ¹ GPM (Sq. Ft.)	Turnover Capacity (In Gallons) (Flow Rate x 60 x Hours)			Tank Port Size	Carton Wt. (Lbs.)
			6 Hour	8 Hour	10 Hour		
SYSTEM:2 MODULAR MEDIA FILTER - PLM SERIES							
PLM100	100	38-100	14-36,000	18-48,000	23-60,000	2 in.	41
PLM125	125	47-125	17-45,000	22-60,000	28-75,000	2 in.	42
PLM150	150	56-150	20-54,000	27-72,000	34-90,000	2 in.	43
PLM175	175	66-150	24-54,000	31-72,000	39-90,000	2 in.	44
PLM200	200	75-150	27-54,000	36-72,000	45-90,000	2 in.	45
PLM300	300	113-150	41-54,000	54-72,000	68-90,000	2 in.	53

¹ Based on NSF recommended flow rate for commercial at .375 GPM per square foot.

Note: No backwash valve required.

Note: Operating Limits – maximum continual operating pressure of 50 PSI. Pool/spa (bather) applications, maximum operating water temperature (internal filter) 104°F (40°C).

CALIFORNIA PROPOSITION 65 WARNING

▲ **WARNING:** Cancer and Reproductive Harm.
▲ **AVERTISSEMENT:** Peut Causer le Cancer et des Dommages au Système Reproducteur.
▲ **ADVERTENCIA:** Cáncer y Daño Reproductivo.

www.p65warnings.ca.gov
PH 201714

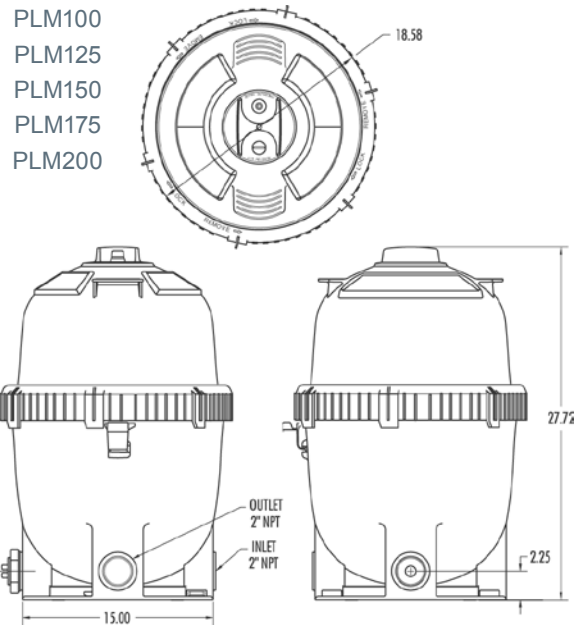
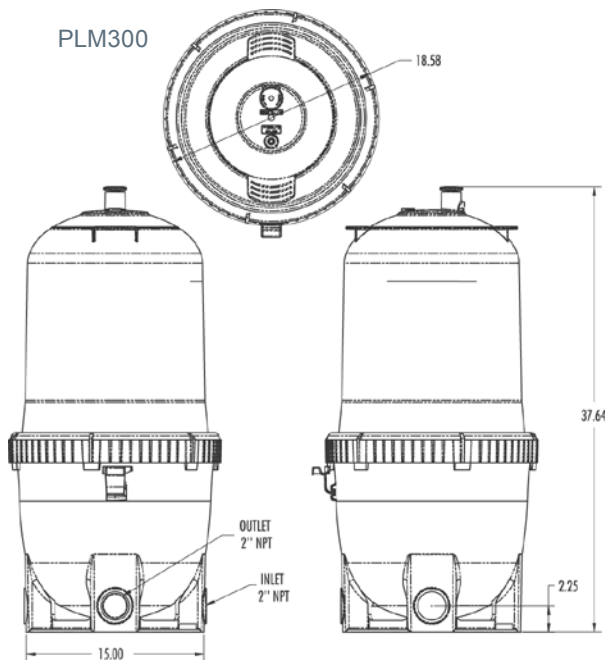
SYSTEM:2™ MODULAR MEDIA FILTERS (CONT'D)

PLM SERIES FILTERS

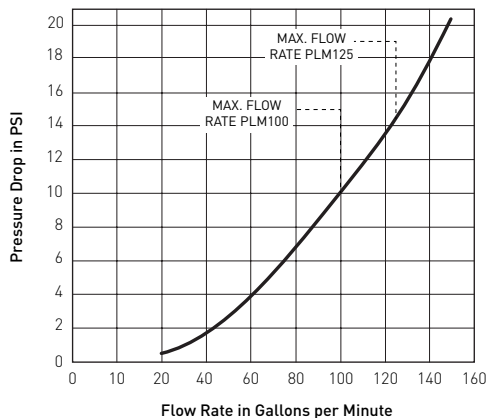
Ordering Information

Product	Description	Carton Wt. (Lbs.)
ACCESSORIES FOR SYSTEM:2 MODULAR MEDIA FILTER - PLM SERIES		
27002-0100S	100 Sq. Ft. Replacement Module for PLM100	11
27002-0125S	125 Sq. Ft. Replacement Module for PLM125	11.5
27002-0150S	150 Sq. Ft. Replacement Module for PLM150	12
27002-0175S	175 Sq. Ft. Replacement Module for PLM175	13
27002-0200S	200 Sq. Ft. Replacement Module for PLM200	14
27002-0300S	300 Sq. Ft. Replacement Module for PLM 300	19
U78-820P	2 in. x 1-1/2 in. Pipe Reducer Bushing	8 oz.
27001-0130S	Spring Check Valve	1

Dimensions and Performance



All dimensions shown in inches.



PLM100,
PLM125,
PLM150,
PLM175,
PLM200,
PLM300

**Certified to
NSF/ANSI Standard 50**

See page 396 for replacement parts.

POSI-CLEAR™ RP FILTERS

FIBERGLASS REINFORCED POLYPROPYLENE TANK



TRADEGRADE



Posi-Clear RP Filter



Featured Highlights

- Certified to NSF/ANSI Standard 50
- Unionized connections
- Integrated continuous High Flow™ Internal Air Relief *
- Chemical resistant tank body
- Lock ring with spring-loaded safety latches
- Coreless cartridge for easy cleaning
- High Flow Manual Air Relief valve
- 1 in. drain and wash out
- Single piece base and body design

The Posi-Clear RP Filter features a chemical resistant tank with no-tool servicing and a coreless cartridge for easier cleaning. All models are equipped with easy spin-on unions for plumbing hook-ups. These filters are NSF listed, and are available in 100, 150, and 200 square foot sizes.

CALIFORNIA PROPOSITION 65 WARNING

⚠ **WARNING:** Cancer and Reproductive Harm.
 ⚠ **AVERTISSEMENT:** Peut Causer le Cancer et des Dommages au Système Reproducteur.
 ⚠ **ADVERTENCIA:** Cáncer y Daño Reproductivo.

www.p65warnings.ca.gov
PR001714

Ordering Information

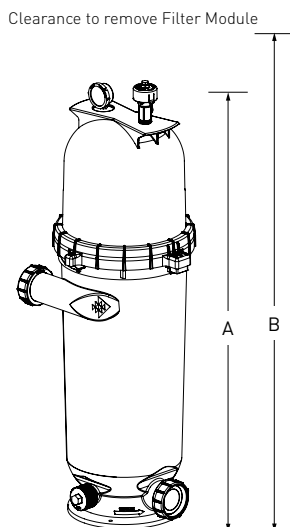
Product	Model	Effective Filtration Area (Sq. Ft.)	Flow Rate ¹ (GPM Res)	Turnover Capacity (In Gallons)			Carton Qty.	Carton Wt. (Lbs.)
				8 Hour	10 Hour	12 Hour		
POSI-CLEAR RP FILTERS								
160351	PXCRP100	100	100	48,000	60,000	72,000	1	33
160352	PXCRP150	150	150	72,000	90,000	108,000	1	35
160350	PXCRP200	200	150	72,000	90,000	108,000	1	35

¹ One GPM per sq. ft. shown recommended flow rate .5 GPM per sq. ft.

Dimensions and Performance

Certified to NSF/ANSI Standard 50

Posi-Clear RP		
Model	A Dim	B Dim
160351	33"	61"
160352	40.5"	76"
160350	40.5"	76"



Note: Actual system flow will depend on plumbing size and other system components.

Note: Pentair Aquatic Systems does not recommend flow rates above 150 GPM.

* Integrated continuous High Flow internal air relief is operational only when there is unobstructed flow in the circulating system.

Note: Operating Limits – maximum continual operating pressure of 50 PSI. Pool/spa (bather) applications, maximum operating water temperature (internal filter) 104°F (40°C).

FNS® PLUS FILTERS

FIBERGLASS REINFORCED POLYPROPYLENE MATERIAL, VERTICAL GRID, D.E.

Featured Highlights

- Certified to NSF/ANSI Standard 50
- Superior strength
- Service-Ease™ Grid Pack
- Continuous High Flow™ Internal Air Relief *
- 100% factory tested
- Top-to-bottom backwash
- High Flow Manual Air Relief valve
- Tension Control™ Clamp
- 1-1/2 in. bottom clean out port
- 7-1/2 in. centerline bulkhead fittings

FNS Plus filters are fiberglass reinforced polypropylene of advanced chemical resistant materials for superior strength and reliability. The top manifold design features the Service-Ease grid pack for convenient one-at-a-time grid servicing.

Valve adapters not included.

CALIFORNIA PROPOSITION 65 WARNING

⚠️ **WARNING:** Cancer and Reproductive Harm.
 ⚠️ **AVERTISSEMENT:** Peut Causer le Cancer et des Dommages au Système Reproducteur.
 ⚠️ **ADVERTENCIA:** Cáncer y Daño Reproductivo.

www.p65warnings.ca.gov
PN 201714

TRADEGRADE



FNS Plus Filter

Ordering Information

Product	Model	Effective Filtration Area (Sq. Ft.)	Flow Rate ¹ (GPM)	Turnover Capacity (In Gallons)			D.E. Required (Lbs.)	Carton Qty.	Carton Wt. (Lbs.)
				8 Hour	10 Hour	12 Hour			
FNS PLUS FILTERS									
180006	FNSP24	24	48	23,040	28,800	34,560	2.4	1	60
180007	FNSP36	36	72	34,560	43,200	51,840	3.6	1	70
180008	FNSP48	48	96	46,080	57,600	69,120	4.8	1	80
180009	FNSP60	60	120	57,600	72,000	86,400	6.0	1	90
FNS PLUS VALVE OPTIONS²									
263079	2 in. PVC Slide valve w/o bulkhead fitting							1	3
261049	2 in. HiFlow valve, no plumbing							1	7
261142	2 in. HiFlow valve with plumbing for FNS, FNS Plus, NSP filters							1	11
261152	2 in. MPV, threaded for FNS, FNS Plus, NSP filters							1	10
263064	Push pull valve, 7-1/2 in. Center, Almond PVC							1	6
261177	1-1/2 in. MPV, threaded for FNS, FNS Plus, NSP filters							1	7
263081	Valve for D.E., inlet port on bottom, Pentair 2 in. unions glued on XF Valve							1	12
270100	Valve Adaptor Kit 2" Black							1	1
271096	Valve Adaptor Kit 2" White							1	1

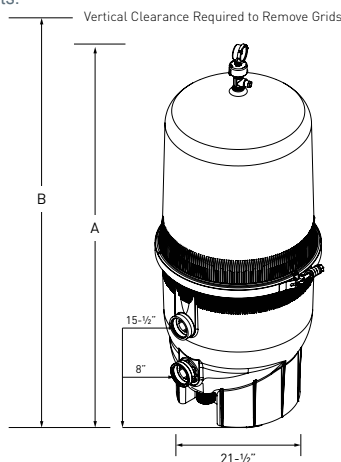
¹ Flow rate is based on 2.0 GPM per sq. ft. of filter area. Actual system flow will depend on plumbing size and other system components.

² Valves must be purchased separately.

* Integrated continuous High Flow internal air relief is operational only when there is unobstructed flow in the circulating system.

Note: Operating Limits – maximum continual operating pressure of 50 PSI. Pool/spa (bather) applications, maximum operating water temperature (internal filter) 104°F (40°C).

Dimensions and Performance



**Certified to
NSF/ANSI Standard 50**

Dimension Table

Product	A Dim.	B Dim.
180006	37"	48"
180007	43"	62"
180008	49"	74"
180009	55"	86"

See pages 399 for replacement parts.

EASYCLEAN™ FILTERS

FIBERGLASS REINFORCED POLYPROPYLENE TANK

TRADEGRADE



EasyClean Filter

The EasyClean Filter features a chemical resistant tank with no-tool servicing and a cored cartridge for easier cleaning. All models are equipped with easy spin-on-unions for plumbing hook-ups.

Featured Highlights

- Unionized connections
- Integrated continuous High Flow™ Internal Air Relief *
- Chemical resistant tank body
- Lock ring with spring-loaded safety latches
- High Flow manual air relief valve
- 1 in. drain and wash out
- Single piece base and body design

CALIFORNIA PROPOSITION 65 WARNING
 ⚠️ **WARNING:** Cancer and Reproductive Harm.
 ⚠️ **AVERTISSEMENT:** Peut Causer le Cancer et des Dommages au Système Reproducteur.
 ⚠️ **ADVERTENCIA:** Cáncer y Daño Reproductivo.
www.p65warnings.ca.gov P65-2015-14

Ordering Information

EASYCLEAN FILTERS										
188614	EC60	15	39 in.	60	1.3	28,000	36,000	43,000	1	26
188615	EC90	30	76 in.	90	2.4	43,200	54,000	64,800	1	35

¹ Required clearance to remove filter elements.

² Maximum flow rate.

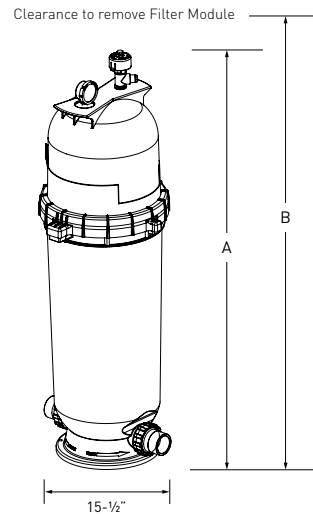
Dimensions and Performance

Note: Actual system flow will depend on plumbing size and other system components.

Note: Pentair Aquatic Systems does not recommend flow rates above 150 GPM.

* Integrated continuous High Flow internal air relief is operational only when there is unobstructed flow in the circulating system.

Note: Operating Limits – maximum continual operating pressure of 50 PSI. Pool/spa (bather) applications, maximum operating water temperature (internal filter) 104°F (40°C).



Model	A Dim	B Dim
188614	25-1/2 in.	39 in.
188615	40-1/2 in.	76 in.

QUAD D.E.® FILTERS

CARTRIDGE STYLE FILTER

TRADEGRADE

Featured Highlights

- Four large-capacity cartridges provide maximum filter surface area for greater dirt-trapping capacity and longer periods between cleanings
- Chemical resistant, fiberglass reinforced polypropylene tank for exceptional strength and long life
- Easily removable cartridge elements make maintenance fast and easy
- Water flows through the Quad D.E. Filter so efficiently that your pump will use less energy



The Highest Water Clarity with the Lowest Amount of Fuss. Quad D.E. combines the finest filtration available for the most sparkling clear water with the convenience and easy-cleaning features usually found only in a cartridge filter. Four easily accessible and removable D.E. cartridges simplify maintenance and save time.

CALIFORNIA PROPOSITION 65 WARNING
 ⚠️ **WARNING:** Cancer and Reproductive Harm.
 ⚠️ **AVERTISSEMENT:** Peut Causer le Cancer et des Dommages au Système Reproducteur.
 ⚠️ **ADVERTENCIA:** Cáncer y Daño Reproductivo.
www.p65warnings.ca.gov PN202714



Quad D.E. Filter

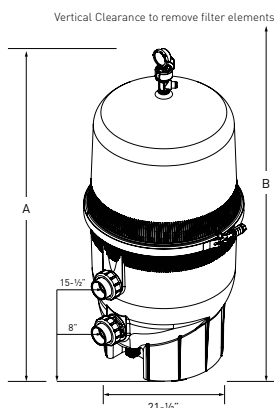
Ordering Information

Product	Model	Effective Filtration Area (Sq. Ft.)	Flow Rate (GPM)	Turnover Capacity (In Gallons)			D.E. Required (Lbs.)	Carton Qty.	Carton Wt. (Lbs.)
				8 Hour	10 Hour	12 Hour			
QUAD D.E. FILTERS									
188592	Quad D.E. 60	60	120	57,600	72,000	86,400	6.0	1	70
188593	Quad D.E. 80	80	160	76,800	96,000	115,200	8.0	1	80
188594	Quad D.E. 100	100	160	76,800	96,000	115,200	10.0	1	90
QUAD D.E. VALVE OPTIONS ¹									
261173	1-1/2 in. MPV, for Triton and Quad D.E. filters (SM 10-3)							1	3
263079	2 in. PVC Slide valve w/o plumbing, for D.E. & sand filters							1	7
261049	2 in. HiFlow valve, no plumbing							1	11
261050	2 in. HiFlow w/ plumbing, for Triton and Quad D.E. filters							1	10
261055	2 in. MPV, for Triton and Quad D.E. filters (SM 20-3)							1	5
263064	Push pull valve, 7-1/2 in. Center, Almond PVC							1	4
270100	Union Kit, 2 in. I.D. (For no valve assembly)							1	1
274426	Adapter Kit, 2-1/2 in. x 2 in.							1	1
263080	Valve for D.E., inlet port on bottom, Pentair 2 in. unions glued on XF Valve							1	12

¹ Valves must be purchased separately.

Certified to NSF/ANSI Standard 50

Product	A Dim.	B Dim.
188592	43"	62"
188593	49"	68"
188594	56"	74"



Dimensions and Performance

Note: Actual system flow will depend on plumbing size and other system components.

Note: Pentair Aquatic Systems does not recommend flow rates above 150 GPM.

* Integrated continuous High Flow internal air relief is operational only when there is unobstructed flow in the circulating system.

Note: Operating Limits – maximum continual operating pressure of 50 PSI. Pool/spa (bather) applications, maximum operating water temperature (internal filter) 104°F (40°C).

See page 400 for replacement parts.

SYSTEM:2™ MODULAR D.E. FILTERS

PLD SERIES FILTERS



TRADEGRADE



System:2 Modular D.E. Filter
PLD Series

Featured Highlights

- Typical Installations – Inground pools and inground hot tubs
- Quality Construction – Durable two-piece tank housing constructed of rugged ABS thermoplastic to ensure a long-lasting tank life
- Easy Access – Posi-Ring® Closure provides fast access to tank internals
- Innovative Design – The innovative balanced flow design first introduced with the System : 3 Mod Media filter is now available in the smaller System:2 filter. Virtually maintenance-free operation for pools of all sizes
- Low Maintenance – Complete media coverage combined with shallow pleats means greater dirt holding capabilities, resulting in longer filter cycles and less cleaning
- Modular Filter Tanks – Allows for quick change of filter medias without changing the tank

Sta-Rite delivers the benefits of D.E. filtration in a variation of their proven modular media technology. A single replaceable grid delivers water of superior quality without the complex workings of other D.E. filters. Tank and one-piece grid design make this filter virtually maintenance-free. Contemporary style and matte black finish looks attractive in any pool setting. The small diameter footprint makes the System:2 filter a perfect fit for new and retrofit installations. Filter includes 2 in. NPT Drain ports, which are provided with reducer bushing and 1-1/2 in. drain plug.

Ordering Information

Product	Effective Filter Area (Sq. Ft.)	Flow Rated ¹ at 1–2 GPM (per Sq. Ft.)	Turnover Capacity (Gallons) (Flow Rate x 60 x Hours)			Tank Port Size	D.E. ² Required (Lbs.)	Carton Wt. (Lbs.)
			6 Hour	8 Hour	10 Hour			
SYSTEM:2 MODULAR D.E. FILTER - PLD SERIES								
PLD50	30	30–60	11–22,000	14–29,000	18–36,000	2 in.	6 ³	37
PLD70	36	36–72	13–26,000	17–35,000	22–43,000	2 in.	4	38

¹ Based on NSF recommended flow rate for commercial at 1–2 GPM per square foot.

² Do not use more D.E. than shown here. Mixed results with D.E. alternatives.

³ PLD50 requires more D.E. than the PLD70 because of precoat design and flow characteristics.

Note: Operating Limits – maximum continual operating pressure of 50 PSI. Pool/spa (bather) applications, maximum operating water temperature (internal filter) 104°F (40°C).

CALIFORNIA PROPOSITION 65 WARNING

▲ **WARNING:** Cancer and Reproductive Harm.
▲ **AVERTISSEMENT:** Peut Causer le Cancer et des Dommages au Système Reproducteur.
▲ **ADVERTENCIA:** Cáncer y Daño Reproductivo.

www.p65warnings.ca.gov
PH 200714

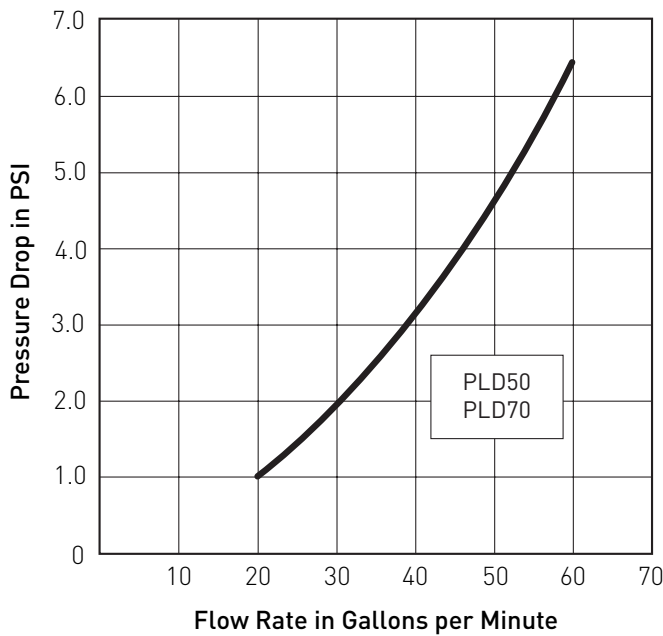
SYSTEM:2™ MODULAR D.E. FILTERS (CONT'D)

PLD SERIES FILTERS

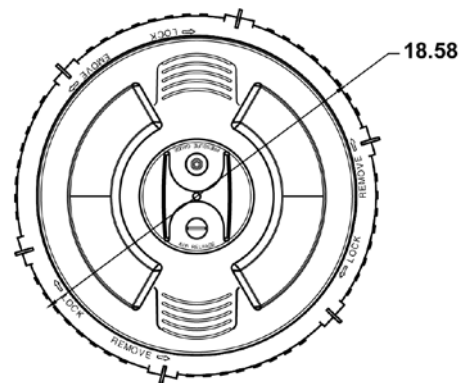
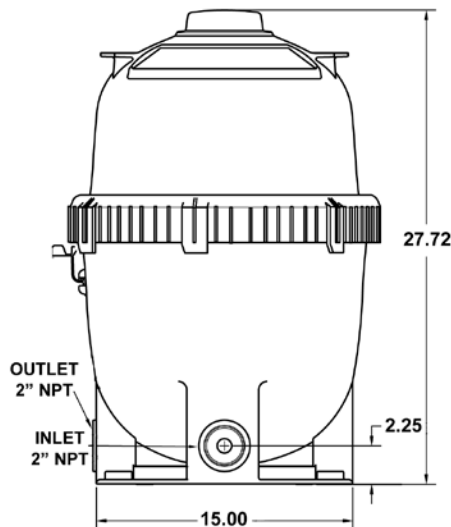
Ordering Information

Product	Description	Carton Weight (Lbs.)
ACCESSORIES FOR SYSTEM:2 MODULAR D. E. FILTER - PLD SERIES		
27002-0030S	30 sq. ft. Replacement Module for PLD50	10
27002-0036S	36 sq. ft. Replacement Module for PLD70	10
U78-820P	2 in. x 1-1/2 in. Pipe Reducer Bushing	1
27001-0130S	Spring Check Valve	1

Dimensions and Performance



**Certified to
NSF/ANSI Standard 50**



All dimensions shown in inches.

See page 402 for replacement parts.

SYSTEM:2™ MODULAR D.E. FILTERS

PLDE SERIES FILTERS



TRADEGRADE



System:2 Modular D.E. Filters
PLDE Series

Featured Highlights

- Typical Installations – Inground pools and inground hot tubs
- Quality Construction – Durable two-piece tank housing constructed of rugged ABS thermoplastic to ensure a long-lasting tank life
- Easy Access – Posi-Ring® Locking Ring provides easy access to tank internals
- Innovative Design – The innovative, balanced-flow design – first introduced with the System : 3 Mod Media filter – is now available in the smaller System:2 filter. Virtually maintenance-free operation for pools of all sizes.
- A Perfect Fit – The small diameter footprint makes the System:2 filter a perfect fit for new and retrofit installations
- Modular Filter Tanks – Allows for quick change of filter medias without changing the tank plumbing

Sta-Rite delivers the benefits of D.E. filtration in a variation of their proven modular media technology. A single replaceable grid delivers water of superior quality without the complex workings of other D.E. filters. This innovative one-piece design is fully backwashable and can be plumbed with or without a backwash valve. 2 in. union valves are included for installations electing not to use a backwash valve. For deep-down cleaning, simply remove the filter lid and hose off in place. No more hassle of tearing down the grid assembly for cleaning and servicing. Contemporary style and matte black finish looks attractive in any pool setting.

CALIFORNIA PROPOSITION 65 WARNING

▲ **WARNING:** Cancer and Reproductive Harm.
▲ **AVERTISSEMENT:** Peut Causer le Cancer et des Dommages au Système Reproducteur.
▲ **ADVERTENCIA:** Cáncer y Daño Reproductivo.

www.p65warnings.ca.gov. PR202114

Ordering Information

Product	Effective Filter Area (Sq. Ft.)	Flow Rated ¹ at 1–2 GPM (per Sq. Ft.)	Turnover Capacity (Gallons) (Flow Rate x 60 x Hours)			Tank Port Size	D.E. ² Required (Lbs.)	Carton Wt. (Lbs.)
			6 Hour	8 Hour	10 Hour			
SYSTEM:2 MODULAR D.E. FILTER - PLDE SERIES								
PLDE36	36	36–72	13–26,000	17–35,000	22–43,000	2 in.	5.4	38
PLDE48	48	48–96	17–34,000	23–46,000	29–57,600	2 in.	7.2	46
PLDE VALVE OPTIONS³								
18202-0250	ABS 6-Position Valve with Union Connections – 1-1/2 in. Valve Port							5
18201-0300	ABS 6-Position Valve with Union Connections – 2 in. Valve Port							8
263053	VLV Push Pull, 7.81 in. center							12
262509	Valve with filter inlet port on top, no fittings, only valve							12

¹ Based on NSF recommended flow rate for commercial at 1–2 GPM per square foot.

² Do not use more D.E. than shown here. Mixed results with D.E. alternatives.

³ Valves must be purchased separately.

Note: Operating Limits – maximum continual operating pressure of 50 PSI. Pool/spa (bather) applications, maximum operating water temperature (internal filter) 104°F (40°C).

SYSTEM:2™ MODULAR D.E. FILTERS (CONT'D)

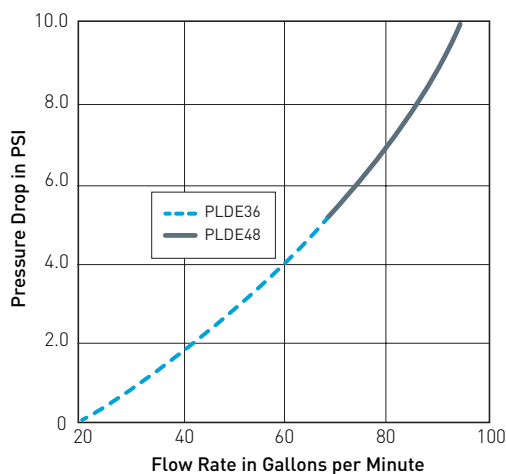
PLDE SERIES FILTERS

Ordering Information

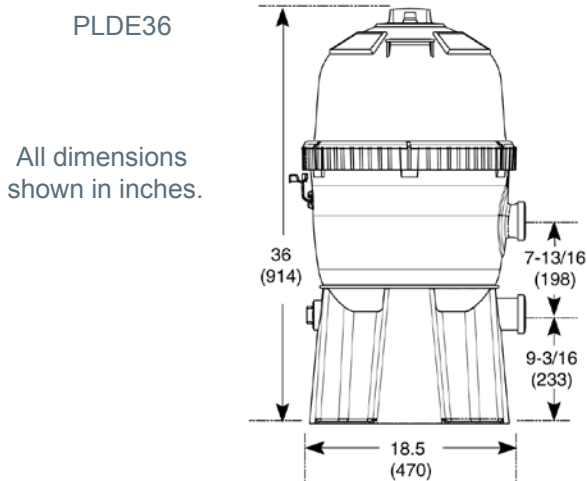
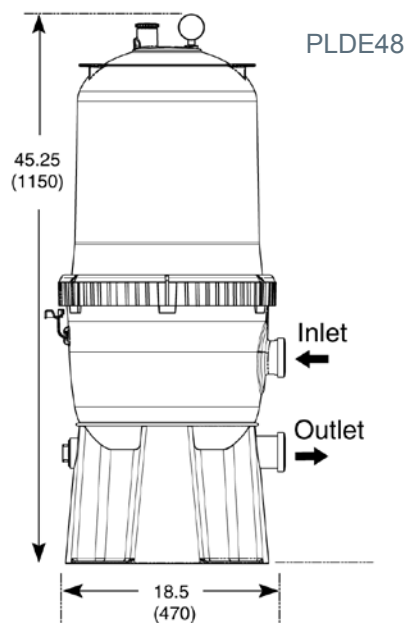
Product	Description	Carton Weight (Lbs.)
ACCESSORIES FOR SYSTEM:2 MODULAR D.E. FILTER - PLDE SERIES		
27002-0036S	36 sq. ft. Replacement Module for PLD50, PLDE36	10
27002-0048S	48 sq. ft. Replacement Module for PLDE48	11
PKG 188Z	2 in. Union Half x 2 in. Slip - Package of 2	1
77703-0101	2 in. Union Half x 1-1/2 in. Slip - Package of 2	1

Dimensions and Performance

PLDE SERIES FILTER PERFORMANCES				
PLDE36	35,000	36	54	5.4
PLDE48	46,000	48	72	7.2



Certified to NSF/ANSI Standard 50



All dimensions shown in inches.

See page 403 for replacement parts.

SYSTEM:3® D.E. FILTERS

SD SERIES FILTERS



TRADEGRADE



System:3 D.E. Filters
SD Series

Featured Highlights

- Typical Installations – Inground pools, inground hot tubs, and water features
- Quality Construction – Durable two-piece tank housing constructed of Dura-Glas™, Sta-Rite's industry leading glass-reinforced composite resin
- Easy Access – Posi-Lok™ Clamps provides easy access to tank internals
- Innovative Design – 2 in. plumbing throughout combined with Sta-Rite's rectangular grid system provides superior D.E. filtration
- Low Maintenance – Superior backwash capabilities means less manual cleaning of the grids
- Dual Drain Plugs – Side plug assembly includes 1-1/2 in. NPT port for direct discharge plumbing
- Sleek Looks – Contemporary style and matte black finish looks attractive in any pool setting

D.E. is historically the media of choice for the designers of some of the largest and most beautiful pools in the world. It is now more practical for all backyard pools as well. System:3 brings you the proven performance of Sta-Rite's diatomaceous earth media in an easy-to-operate filter. The greater cycle times and minimized maintenance of the System:3, coupled with Sta-Rite's superior grid system, gives you the finest D.E. filter available.

Ordering Information

Product	Effective Filter Area (Sq. Ft.)	Flow Rated ¹ at 1-2 GPM (per Sq. Ft.)	Turnover Capacity (Gallons) (Flow Rate x 60 x Hours)			Tank Port Size	D.E. ² Required (Lbs.)	Carton Wt. (Lbs.)
			6 Hour	8 Hour	10 Hour			
SYSTEM:3 D. E. FILTERS - SD SERIES								
S7D75	37	37-74	13-27,000	18-36,000	22-44,000	2 in.	3.7	112
S8D110	53	53-106	19-38,000	26-51,000	32-64,000	2 in.	5.3	136
SD SERIES VALVE OPTIONS³								
18202-0150	ABS 6-Position Valve with Union Connections – 1-1/2 in. Valve Port							5
18201-0200	ABS 6-Position Valve with Union Connection – 2 in. Valve Port							8
263053	VLV Push Pull, 7.81 in. center							12
262508	Sta-Rite version for System 3 D.E. and Sand, inlet on bottom, with Sta-Rite offset adapters glued on							12
ACCESSORIES FOR SYSTEM:3 MODULAR D. E. FILTER - SD SERIES								
25021-1021	DE Conversion Kit – S7D75 - Grid Assembly and Valve Sold separately (new valve may be required)							18
25021-1025	DE Conversion Kit – S8D110 - Grid Assembly and Valve Sold separately (new valve may be required)							20

¹ Based on NSF recommended flow rate for commercial at 1-2 GPM per square foot.

² Do not use more D.E. than shown here. Mixed results with D.E. alternatives.

³ Valves must be purchased separately.

Note: Operating Limits – maximum continual operating pressure of 50 PSI. Pool/spa (bather) applications, maximum operating water temperature (internal filter) 104°F (40°C).

CALIFORNIA PROPOSITION 65 WARNING

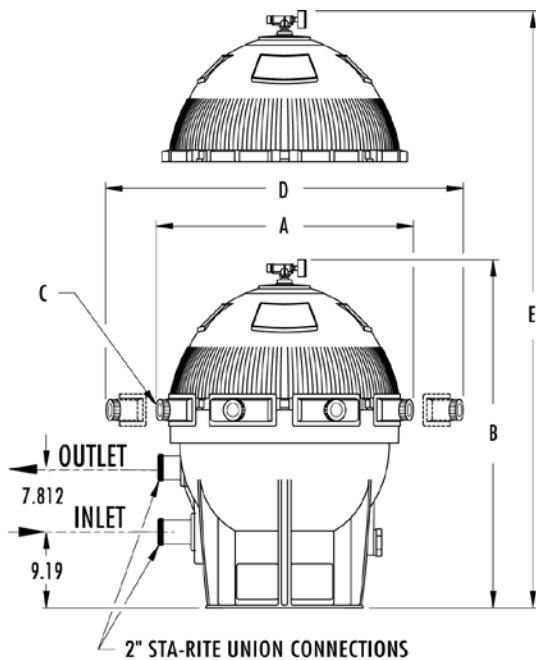
▲ **WARNING:** Cancer and Reproductive Harm.
▲ **AVERTISSEMENT:** Peut Causer le Cancer et des Dommages au Système Reproducteur.
▲ **ADVERTENCIA:** Cáncer y Daño Reproductivo.
www.p65warnings.ca.gov

SYSTEM:3® D.E. FILTERS (CONT'D)

SD SERIES FILTERS

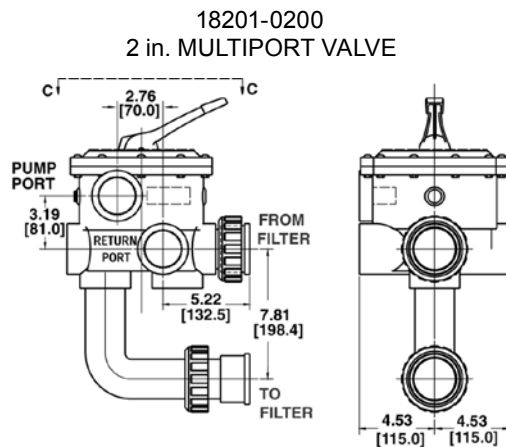
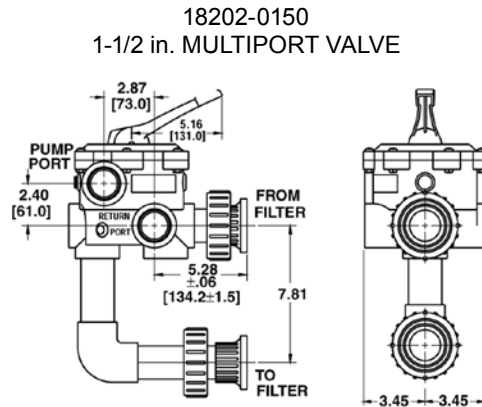
Dimensions and Performance

**Certified to
NSF/ANSI Standard 50**

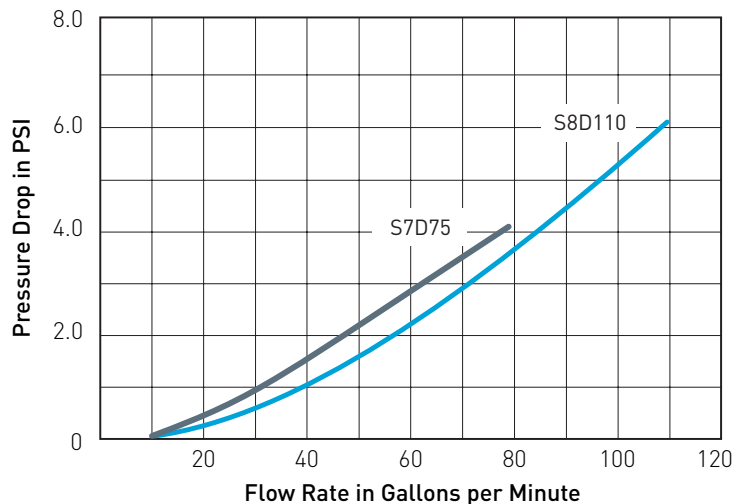


Catalog Number	DIMENSION				
	A	B	C	D	E
S7D75	28-1/2	42	7	36	50
S8D110	32-1/2	42-1/4	8	40	50

- A = width
 - B = height
 - C = number of clamps
 - D = area (width) needed to take off clamps
 - E = area (height) needed to remove top half of tank
- All dimensions shown in inches.



All dimensions shown in inches.



See page 404-405 for replacement parts.

SYSTEM:3® MODULAR D.E. FILTERS

SMD SERIES FILTERS



TRADEGRADE



System:3 Modular D.E. Filters
SMD Series

Featured Highlights

- Typical Installations – Inground pools, inground hot tubs, and water features
- Quality Construction – Durable two-piece tank housing constructed of Dura-Glas™, Sta-Rite's industry leading glass-reinforced composite resin
- Easy Access – Posi-Lok™ Clamps provides easy access to tank internals
- Modular Filter Tanks – Allows for quick change of filter medias without changing the tank
- Low Maintenance – Superior backwash capabilities means less manual cleaning of the grids
- Dual Drain Plugs – Side plug assembly includes 1-1/2 in. NPT port for direct discharge plumbing
- Sleek Looks – Contemporary style and matte black finish looks attractive in any pool setting

Sta-Rite is proud to bring you the proven technology of System:3 Modular Media into the world of D.E. With it's perfectly balanced flow and integral manifold design, the System:3 Modular D.E. filter brings pool filtration to new heights. Available in 2 sizes, 60 and 72 sq. ft., System:3 Modular Media D.E. filtration will bring years of sparkling clear water to your customer's pool or spa. For cleaning, simply remove filter lid and hose off in place. No more hassle of tearing down the grid assembly for cleaning and servicing. The balanced flow design allows for a constant D.E. cake on the entire module, assuring full optimization of the module and longer cycles between cleanings.

Ordering Information

Product	Effective Filter Area (Sq. Ft.)	Flow Rated ¹ at 1-2 GPM (per Sq. Ft.)	Turnover Capacity (Gallons) (Flow Rate x 60 x Hours)			Tank Port Size	D.E. Required (Lbs.)	Carton Wt. (Lbs.)
			6 Hour	8 Hour	10 Hour			
SYSTEM:3 MODULAR D.E. FILTERS - SMD SERIES								
S7MD60	60	60-120	21-32,400	28-43,200	36-54,000	2 in.	9	115
S7MD72	72	72-144	25-38,880	34-51,800	43-64,800	2 in.	11	117
SMD SERIES VALVE OPTIONS								
18201-0300	ABS 6-Position Valve with Union Connections – 2 in. Port Valve							8
263053	VLV Push Pull, 7.81 in. center							12
ACCESSORIES FOR SYSTEM:3 MODULAR D.E. FILTER - SMD SERIES								
25023-0160S	60 sq. ft. Replacement D.E. Element							20
25023-0172S	72 sq. ft. Replacement D.E. Element							21
PKG 188Z	Union x 2 in. Slip Adapter – Pkg. of 2							1
PKG 189	Union x 2 in. FPT Adapter – Pkg. of 2							1
23910-1100S	System 3 Modular D.E. Conversion Kit (replacement element required; new valve may be required)							3

¹ Based on NSF recommended flow rate for commercial at 1-2 GPM per square foot.

Note: Operating Limits – maximum continual operating pressure of 50 PSI. Maximum operating water temperature (internal filter) 104°F (40°C).

CALIFORNIA PROPOSITION 65 WARNING

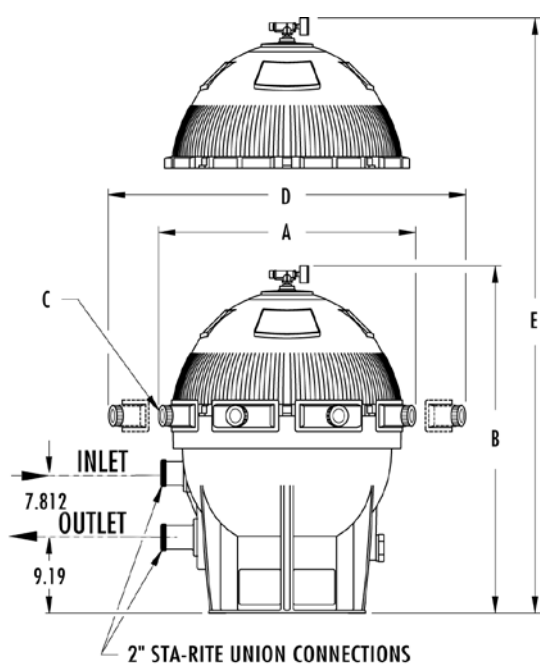
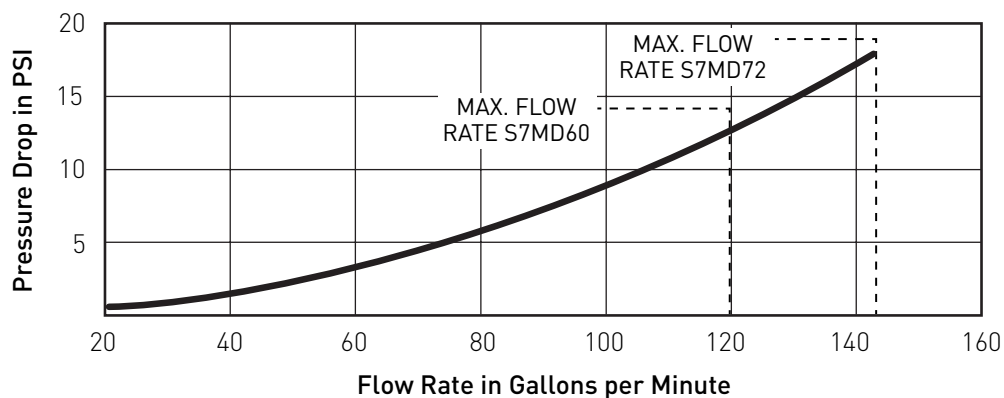
▲ **WARNING:** Cancer and Reproductive Harm.
▲ **AVERTISSEMENT:** Peut Causer le Cancer et des Dommages au Système Reproducteur.
▲ **ADVERTENCIA:** Cáncer y Daño Reproductivo.

www.p65warnings.ca.gov
PH 201714

SYSTEM:3[®] MODULAR D.E. FILTERS (CONT'D)

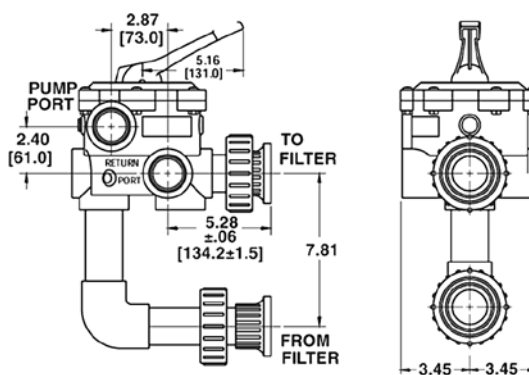
SMD SERIES FILTERS

Dimensions and Performance



18201-0300
2 in. MULTIPORT VALVE

**Certified to
NSF/ANSI Standard 50**



14935-0300
2 in. SLIDE VALVE

DIMENSION

Catalog Number	A	B	C	D	E
S7MD60	28-1/2	42	7	36	50
S7MD72	28-1/2	42	7	36	50

- A = width
- B = height
- C = number of clamps
- D = area (width) needed to take off clamps
- E = area (height) needed to remove top half of tank

All dimensions shown in inches.

SMBW 4000 SERIES™ FILTERS

SHEET MOLDED FIBERGLASS TANK WITH BACKWASH VALVES

TRADEGRADE



SMBW 4000 Series Filter

Featured Highlights

- Maximum Operating Pressure 50 psi
- Corrosion-resistant 20 in. diameter fiberglass filter tank for strength and durability
- Spiro-Mite grid design provides high efficiency filtration and longer filter cycles
- Innovative clamp ring design is proven to be strong and reliable. It allows for quick and easy access to internal components
- 2 in. plumbing connections provide maximum flow

Sheet molded fiberglass tank, 2 in. threaded female connections with PPO Resin rotary backwash valve.

CALIFORNIA PROPOSITION 65 WARNING

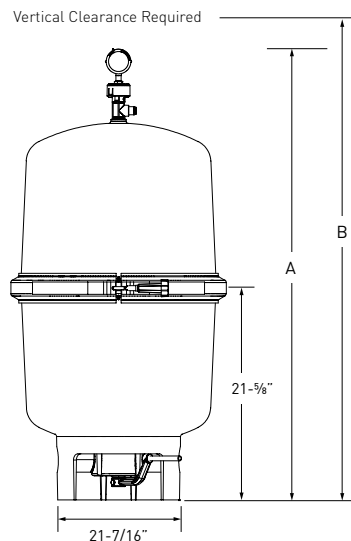
⚠ **WARNING:** Cancer and Reproductive Harm.
 ⚠ **AVERTISSEMENT:** Peut Causer le Cancer et des Dommages au Système Reproducteur.
 ⚠ **ADVERTENCIA:** Cáncer y Daño Reproductivo.
www.p65warnings.ca.gov

Ordering Information

Product	Model	Effective Filtration Area (Sq. Ft.)	Flow Rate (GPM)	Turnover Capacity (In Gallons)			D.E. Required (Lbs.)	Carton Qty.	Carton Wt. (Lbs.)
				8 Hour	10 Hour	12 Hour			
SMBW 4000 FILTERS WITH BACKWASH VALVE									
011555	SMBW 4048	47	94	45,120	56,400	67,680	4.8	1	89
147411	SMBW 4060	58	116	55,680	69,600	83,520	6.0	1	110

Note: Operating Limits – maximum continual operating pressure of 50 PSI. Pool/spa (bather) applications, maximum operating water temperature (internal filter) 104°F (40°C).

Dimensions and Performance



DIMENSION TABLE

MODEL	A DIM.	B DIM.
SMBW 4048	42-7/16 in.	52 in.
SMBW 4060	48-7/16 in.	58 in.

See page 401 for replacement parts.

D.E. SEPARATION TANK 100

Featured Highlights

Quarter turn locking-ring provides quick and easy access for removing debris bag. Offers 2 x 2-1/2 inch unionized fittings. Debris bag holds up to 10 lbs of D.E.

CALIFORNIA PROPOSITION 65 WARNING
 ⚠️ **WARNING:** Cancer and Reproductive Harm.
 ⚠️ **AVERTISSEMENT:** Peut Causer le Cancer et des Dommages au Système Reproducteur.
 ⚠️ **ADVERTENCIA:** Cáncer y Daño Reproductivo.
www.p65warnings.ca.gov P8-200714

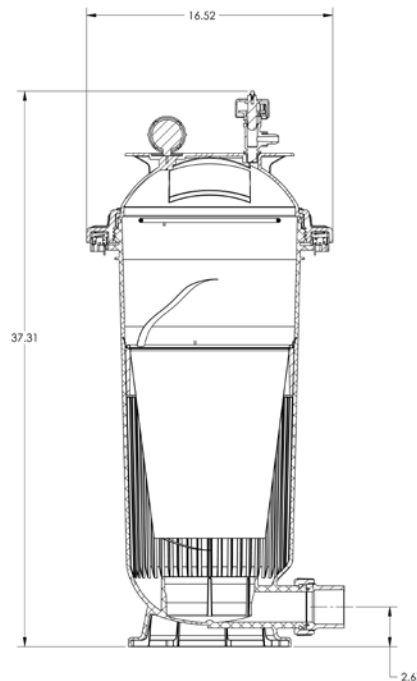


Separation Tank 100

Ordering Information

Product	Pipe For Filters	Connections	Carton Wt. (Lbs.)
D.E. SEPARATION TANK			
300005	100 sq. ft.	2 x 2-1/2 in. SLIP	30

Dimensions and Performance



SECTION A-A

See page 419 for replacement parts.

TRITON® II, TAGELUS® & SAND DOLLAR® FILTERS

WITH CLEARPRO TECHNOLOGY®

TRADEGRADE



TR60

Triton II Filter



TA60D

Tagelus Filter



SD80

Sand Dollar Filter

(Unions not included)

Featured Highlights

- All the same, great features of the Triton II, Tagelus and Sand Dollar Filters
- Provides superior water quality
- Max water temperature for Sand Dollar is 95° F

CALIFORNIA PROPOSITION 65 WARNING

⚠ **WARNING:** Cancer and Reproductive Harm.
 ⚠ **AVERTISSEMENT:** Peut Causer le Cancer et des Dommages au Système Reproducteur.
 ⚠ **ADVERTENCIA:** Cáncer y Daño Reproductivo.
www.p65warnings.ca.gov

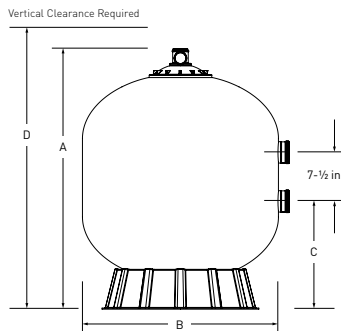
Ordering Information

Product	Model	Effective Filtration Area (Sq. Ft.)	Max. Press (PSI)	Flow Rate (GPM)	Turnover Capacity (In Gal.)			Filter Media		All Sand Req'd (Lbs.)	Ctn Qty.	Ctn Wt. (Lbs.)
					8 Hour	10 Hour	12 Hour	Pea Gravel Required (Lbs.)	Sand Req'd (Lbs.)			
TRITON II SAND FILTERS												
140212	TR 60	3.14	50	63	30,240	37,800	45,360	75	250	325	1	40
TAGELUS FILTERS												
145201	TA 60D	3.1	50	60	28,800	36,000	43,200	N/A	N/A	325	1	30
145389*	TA 60D	3.1	50	60	28,800	36,000	43,200	N/A	N/A	325	1	30
SAND DOLLAR FILTERS												
145300	SD 80	3.5	50	75	36,000	45,000	54,000	N/A	N/A	350	1	76
145388*	SD80	3.5	50	75	36,000	45,000	54,000	N/A	N/A	350	1	76
KITS												
159028	Kit ClearPro TR100				159032 Kit ClearPro TR140C3							
159029	Kit ClearPro TR100C				159034 Kit ClearPro TR140							
159030	Kit ClearPro TR140C				159035 Kit ClearPro TA100							
159031	Kit ClearPro TR100C3											

Dimensions and Performance

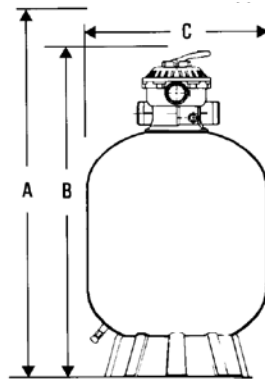
* with 2 in. valve

Triton II Side Mount Filter



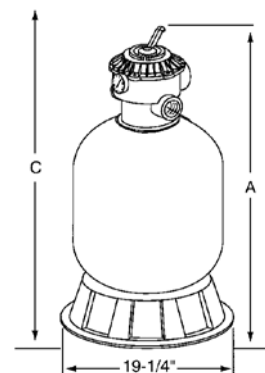
A = 35-1/2 in.
 B = 24-1/2 in.
 C = 13-5/8 in.
 D = 37-1/2 in.

Tagelus Top Mount Filter



A = 57 in.
 B = 42-1/2 in.
 C = 24-1/2 in.

Sand Dollar Top Mount Filter



A = 48-3/4 in.
 C = 65-3/4 in.

SAND DOLLAR® TOP MOUNT FILTER

THERMOPLASTIC TANK WITH CLAMP STYLE MULTIPORT VALVE

Featured Highlights

- Six-position, top-mounted multiport valve
- Combination water and sand drain makes servicing and winterizing fast and easy

The one piece Sand Dollar filter features a clamp style, six-position multiport valve. Special lateral design provides superior flow characteristics and long filter cycles for economical operation.

* Max water temperature for Sand Dollar 95° F

CALIFORNIA PROPOSITION 65 WARNING

⚠ **WARNING:** Cancer and Reproductive Harm.
⚠ **AVERTISSEMENT:** Peut Causer le Cancer et des Dommages au Système Reproducteur.
⚠ **ADVERTENCIA:** Cáncer y Daño Reproductivo.
www.p65warnings.ca.gov

TRADEGRADE



SD80
with 2 in. valve

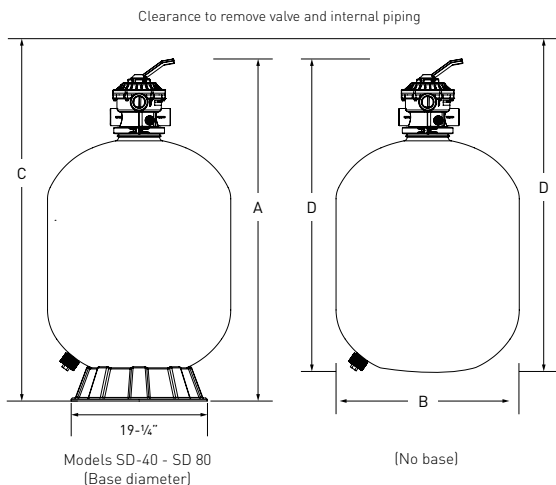
Sand Dollar Top Mount Filter

Ordering Information

Product	Model	Effective Filtration Area (Sq. Ft.)	Max. Pressure (PSI)	Flow Rate (GPM)	Turnover Capacity (In Gallons)			All Sand Required (Lbs.)	Carton Qty.	Carton Wt. (Lbs.)
					8 Hour	10 Hour	12 Hour			
SAND DOLLAR FILTERS										
145315	SD 35	1.4	30	35	16,800	21,000	25,200	100	1	22
145320	SD 40	1.8	35	40	19,200	24,000	28,800	150	1	24
145322	SD 60	2.3	40	60	28,800	36,000	43,200	250	1	28
145367	SD 70	3.15	50	70	33,600	42,000	54,000	300	1	58
145333	SD80	3.5	50	75	36,000	45,000	54,000	350	1	76
145386*	SD80 2 in.	3.5	50	75	36,000	45,000	54,000	350	1	76

* with 2 in. valve

Dimensions and Performance



DIMENSION TABLE

Model	A DIM.	B DIM.	C DIM.	D DIM.	E DIM.
SD 35	33-1/2 in.	16-1/2 in.	37 in.	30-3/4 in.	34-1/4 in.
SD 40	37-3/4 in.	19-1/2 in.	46-1/4 in.	35 in.	43-1/2 in.
SD 60	43-3/4 in.	22-1/2 in.	52-1/2 in.	40-3/4 in.	49-1/4 in.
SD 70	46-1/4 in.	24 in.	57 in.	43-1/4 in.	53-3/4 in.
SD 80	48-3/4 in.	26 in.	65-3/4 in.	45-5/8 in.	62-1/2 in.

See page 407–408 for replacement parts.

TAGELUS® TOP MOUNT FILTER

FIBERGLASS TANK WITH MULTIPOINT VALVE, CLAMP STYLE

TRADEGRADE



TA60D
with 2 in. valve

Tagelus Top Mount Filter
(Unions sold separately)

Featured Highlights

- Special lateral design provides superior flow characteristics and long filter cycles for economical operation
- Maximum Operating Pressure 50 psi
- Combination water and sand drain makes servicing and winterizing fast and easy
- 40, 50, and 60D models standard with plastic clamp

Our process creates a one-piece, fiberglass reinforced tank with superior strength and durability. Tagelus filters are equipped with a six-position, clamp style, top-mounted multiport valve.

CALIFORNIA PROPOSITION 65 WARNING
 ⚠ **WARNING:** Cancer and Reproductive Harm.
 ⚠ **AVERTISSEMENT:** Peut Causer le Cancer et des Dommages au Système Reproducteur.
 ⚠ **ADVERTENCIA:** Cáncer y Daño Reproductivo.
www.p65warnings.ca.gov

Ordering Information

Product	Model	Effective Filtration Area (Sq. Ft.)	Flow Rate (GPM)	Turnover Capacity (In Gallons)			All Sand Required (Lbs.)	Carton Qty.	Carton Wt. (Lbs.)
				8 Hour	10 Hour	12 Hour			
TAGELUS FILTERS									
144126	TA 40D	1.8	40	19,200	24,000	28,800	175	1	30
144127	TA 50D	2.3	50	24,000	30,000	36,000	225	1	35
145241	TA 60D	3.1	60	28,800	36,000	43,200	325	1	38
145240	TA 100D	4.9	100	48,000	60,000	72,000	600	1	78
145385*	TA60D(2)	3.1	60	28,800	36,000	43,200	325	1	38

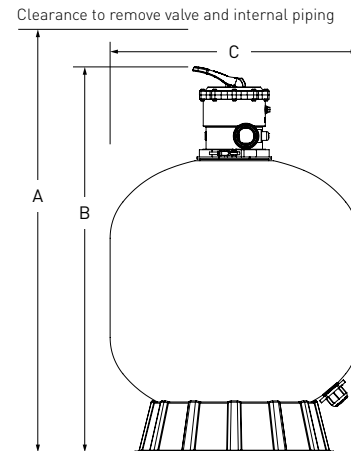
Note: Operating Limits – maximum continual operating pressure of 50 PSI. Maximum operating water temperature (internal filter) 104°F (40°C). Unions shown in product image above sold separately.

* with 2 in. valve

Dimensions and Performance

DIMENSION TABLE

MODEL	A. DIM.	B DIM.	C DIM.
TA 40D	47 in.	37 in.	19-1/2 in.
TA 50D	51-1/2 in.	39-1/2 in.	21-1/2 in.
TA 60D	57 in.	42-1/2 in.	24-1/2 in.
TA 100D	65-1/2 in.	47-1/4 in.	30-1/2 in.



TRITON® II SIDE MOUNT FILTERS

FIBERGLASS SAND FILTER WITHOUT VALVES

TRADEGRADE

Featured Highlights

- Heavy-duty closure provides easy inspection, and features an easy-to-read pressure gauge with air relief valve
- Swing-away diffuser allows instant access to sand and all internal parts
- All internal parts are threaded for ease of service
- Internal air bleed
- Bulkhead connectors are threaded for easy installation and service
- Combination sand and water drain makes servicing and winterizing fast and easy
- Maximum Operating Pressure 50 psi



Triton II Side Mount Filter
(Unions not included)

CALIFORNIA PROPOSITION 65 WARNING
 ⚠️ **WARNING:** Cancer and Reproductive Harm.
 ⚠️ **AVERTISSEMENT:** Peut Causer le Cancer et des Dommages au Système Reproducteur.
 ⚠️ **ADVERTENCIA:** Cáncer y Daño Reproductivo.
www.p65warnings.ca.gov P65-2015-14

The original and still the industry standard. Our process creates a one-piece, fiberglass reinforced tank with UV resistant surface finish for years of unequaled strength and durability. This method locks in fiberglass, preventing fibers from “blooming” under harsh conditions.

Ordering Information

Product	Model	Effective Filtration Area (Sq. Ft.)	Flow Rate (GPM Comm)	Turnover Capacity (In Gal.)			Filter Media			Ctn Qty.	Ctn Wt. (Lbs.)
				8 Hour	10 Hour	12 Hour	Pea Gravel Req'd (Lbs.)	Sand Req'd (Lbs.)	All Sand Req'd (Lbs.)		
TRITON II SAND FILTERS											
140236	TR 40	1.92	38	18,240	22,800	27,360	50	125	175	1	25
140249	TR 50	2.46	49	23,520	29,400	35,280	50	175	225	1	34
140264	TR 60	3.14	63	30,240	37,800	45,360	75	250	325	1	40
140210	TR 100	4.91	74	35,520	44,400	53,280	150	450	600	1	65
140243	TR 140	7.06	106	50,880	63,600	76,320	275	650	925	1	75
TRITON II VALVE OPTIONS ¹											
261173	1-1/2 in. MPV, for sand filters (SM 10-3)									1	6
263079	2 in. PVC Slide valve w/o plumbing, for D.E. & sand filters									1	3
261049	2 in. HiFlow valve, no plumbing									1	7
261050	2 in. HiFlow w/ plumbing, for sand filters									1	11
261055	2 in. MPV, for sand filters (SM 20-3)									1	10
263064	Push Pull 7-1/2 in. Center Valve, Almond PVC									1	5
263080	Valve for Sand and Quad D.E., inlet port on top, Pentair 2 in. unions glued on XF Valve									1	10

¹ Valves must be purchased separately.

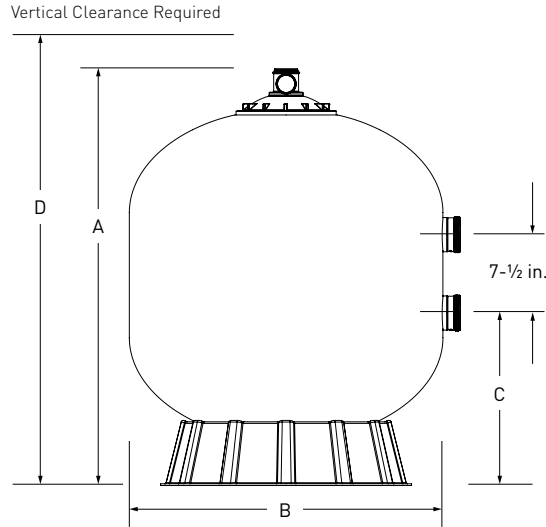
Note: Operating Limits – maximum continual operating pressure of 50 PSI. Maximum operating water temperature (internal filter) 104°F (40°C).

TRITON® II SIDE MOUNT FILTERS (CONT'D)

FIBERGLASS SAND FILTER WITHOUT VALVES

Dimensions and Performance

**Certified to
NSF/ANSI Standard 50**



DIMENSION TABLE

MODEL	A. DIM.	B DIM.	C DIM.	D DIM.
TR 40	30-1/2 in.	19-1/2 in.	10-3/4 in.	32-1/2 in.
TR 50	34-3/4 in.	21-1/2 in.	11-7/8 in.	36-3/4 in.
TR 60	35-1/2 in.	24-1/2 in.	13-5/8 in.	37-1/2 in.
TR 100	39-3/4 in.	30-1/2 in.	16-1/4 in.	41-3/4 in.
TR 140	45-1/4 in.	36-1/2 in.	18-3/4 in.	47-1/4 in.

CRISTAL-FLO™ II TOP-MOUNT FILTERS

HIGH RATE SAND FILTERS



TRADEGRADE



Cristal-Flo II
Top-Mount Filters

Featured Highlights

- Quality Construction – Durable one-piece extra-thick molded polyethylene tank
- 6-Position Valve – Allows you to perform all necessary water movement functions.
- Large Drain Plug – Large drain plug is easy to get at for removing and installing by hand or with tools if required
- Sleek Looks – Contemporary style with a textured black finish that provides superior performance in all weather conditions
- Innovative - Integrated continuous High Flow™ Internal Air Relief *

CALIFORNIA PROPOSITION 65 WARNING
 ⚠️ **WARNING:** Cancer and Reproductive Harm.
 ⚠️ **AVERTISSEMENT:** Peut Causer le Cancer et des Dommages au Système Reproducteur.
 ⚠️ **ADVERTENCIA:** Cáncer y Daño Reproductivo.
www.p65warnings.ca.gov PH020714

For residential inground or aboveground swimming pools requiring turnover through 54,000 gallons, at flow rates up to 20 GPM for 8 to 10 hours. Permanent media high rate sand filters in 16 in., 19 in., 22 in., 24 in. and 26 in. diameter models accommodate large and small pools, offering the best combination of economy, performance, durability and ease of maintenance. Corrosion-resistant, one-piece, extra-thick molded polyethylene tank assures long service life. Top-mounted, corrosion-resistant multiport selector valve included. Also includes a convenient tank winterizing drain and continuous air relief system. *Max Operating Temp 95°F

Ordering Information

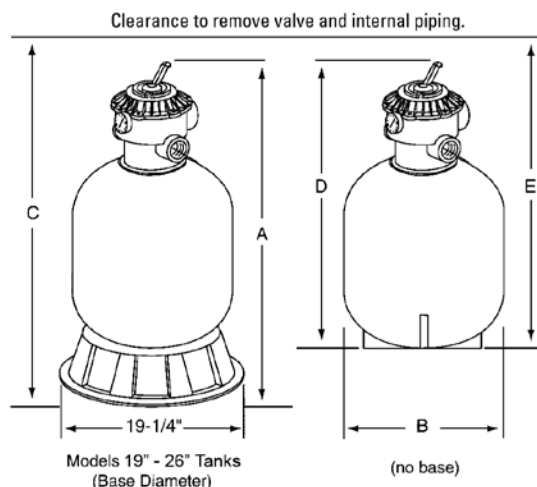
Product	Effective Filtration Area (Sq. Ft.)	Max. Pressure (PSI)	Flow Rate (GPM)	Turnover Capacity (In Gallons)			All Sand Required (Lbs.)	Carton Qty.	Carton Wt. (Lbs.)
				8 Hour	10 Hour	12 Hour			
CRISTAL-FLO II FILTERS									
145359	1.4	30	35	16,800	21,000	25,200	100	1	22
145360	1.8	35	40	19,200	24,000	28,800	150	1	24
145361	2.3	40	60	28,800	36,000	43,200	250	1	28
145362	3.15	50	70	33,600	42,000	54,000	300	1	58
145363	3.5	50	75	36,000	45,000	54,000	350	1	76
145387*	3.5	50	75	36,000	45,000	54,000	350	1	76

* with 2 in. valve

Dimensions and Performance

DIMENSION TABLE					
Model	A DIM.	B DIM.	C DIM.	D DIM.	E DIM.
145359	33-1/2 in.	16-1/2 in.	37 in.	30-3/4 in.	34-1/4 in.
145360	37-3/4 in.	19-1/2 in.	46-1/4 in.	35 in.	43-1/2 in.
145361	43-3/4 in.	22-1/2 in.	52-1/2 in.	40-3/4 in.	49-1/4 in.
145362	46-1/4 in.	24 in.	57 in.	43-1/4 in.	53-3/4 in.
145363	48-3/4 in.	26 in.	65-3/4 in.	45-5/8 in.	62-1/2 in.
145387	48-3/4 in.	26 in.	65-3/4 in.	45-5/8 in.	62-1/2 in.

* Integrated continuous High Flow internal air relief is operational only when there is unobstructed flow in the circulating system.



See page 413 for replacement parts.

SYSTEM:3® SAND FILTERS

SS SERIES FILTERS



TRADEGRADE



System:3 Sand Filters
SS Series

Featured Highlights

- Typical Installations – Inground pools, inground hot tubs, and water features
- Quality Construction – Durable two-piece tank housing constructed of Dura-Glas™, Sta-Rite's industry leading glass-reinforced composite resin
- Innovative Design – The innovative design of the System : 3 tank combined with the lateral/hub assembly produces a balanced flow of water and deeper sand bed penetration
- Low Maintenance – The deep sand bed holds more dirt, resulting in longer filter cycles and less cleaning
- Dual Drain Plugs – Side plug helps make sand removal easy, while the bottom plug comes with integral screen for easy draining without the loss of sand
- Sleek Looks – Contemporary style and matte black finish looks attractive in any pool setting

System:3 brings you the proven performance of Sta-Rite's sophisticated sand filter hydraulics in an easy-to-operate filter. Highly efficient, its sophisticated design yields a uniform flow pattern through a deeper sand bed than any other. Modular filter tanks allows for quick change of filter medias without changing the tank. Contemporary style and matte black finish looks attractive in any pool setting.

Ordering Information

Product	Filter Area (Sq. Ft.)	Flow Rated ¹ at 15–20 GPM (per Sq. Ft.)	Turnover Capacity (Gallons) (Flow Rate x 60 x Hours)			Tank Port Size	Sand ² Required (Lbs.)	Carton Wt. (Lbs.)
			6 Hour	8 Hour	10 Hour			
SYSTEM:3 SAND FILTERS - SS SERIES								
S7S50	2.4	36–48	13–17,000	17–23,000	22–29,000	2 in.	200	103
S8S70	3.4	51–68	18–25,000	25–33,000	31–41,000	2 in.	300	121
SS SERIES VALVE OPTIONS³								
18202-0150	ABS 6-Position Valve with Union Connections – 1-1/2 in. Valve Port							5
18201-0200	ABS 6-Position Valve with Union Connections – 2 in. Valve Port							8
263053	VLV Push Pull, 7.81 in. center							4
262508	FullFloXF for System 3 D.E. and Sand, inlet on bottom, with Sta-Rite offset adapters glued on							10
ACCESSORIES FOR SS SERIES								
25021-2021	Sand Conversion Kit – S7S50 - Collector Assembly and Valve Sold Separately (new valve may be required)							5
25021-2025	Sand Conversion Kit – S8S70 - Collector Assembly and Valve Sold Separately (new valve may be required)							6

¹ Based on NSF recommended flow rate for commercial at 15–20 GPM per square foot.

² Use only #20 white quartz silica sand, size range 0.40–0.55 mm; 12 in. to 15 in. sand bed depth required.

³ Valves must be purchased separately.

Note: Operating Limits – maximum continual operating pressure of 50 PSI. Pool/Spa (bather) applications, maximum water temperature (internal filter) 104°F (40°C).

CALIFORNIA PROPOSITION 65 WARNING

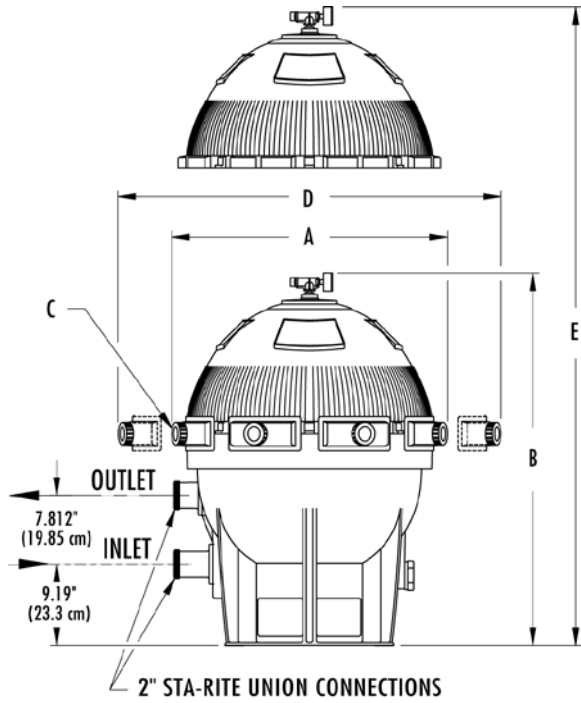
▲ **WARNING:** Cancer and Reproductive Harm.
▲ **AVERTISSEMENT:** Peut Causer le Cancer et des Dommages au Système Reproducteur.
▲ **ADVERTENCIA:** Cáncer y Daño Reproductivo.

www.p65warnings.ca.gov. PA620174A

SYSTEM:3® SAND FILTERS (CONT'D)

SS SERIES FILTERS

Dimensions and Performance

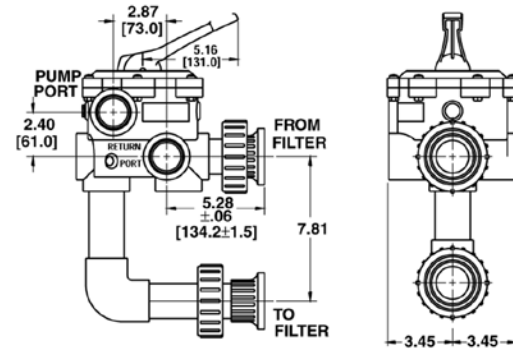


Catalog Number	DIMENSION				
	A	B	C	D	E
S7S50	28-1/2	42	7	36	50
S8S70	32-1/2	42-1/4	8	40	50

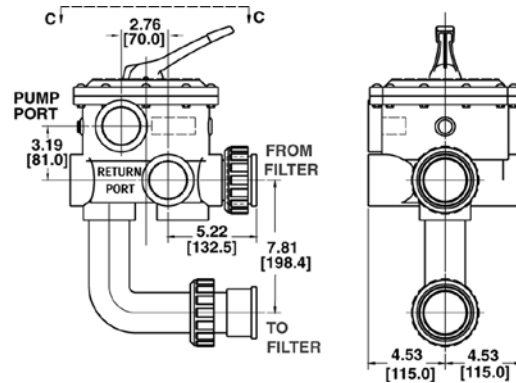
- A = width
 - B = height
 - C = number of clamps
 - D = area (width) needed to take off clamps
 - E = area (height) needed to remove top half of tank
- All dimensions shown in inches.

**Certified to
NSF/ANSI Standard 50**

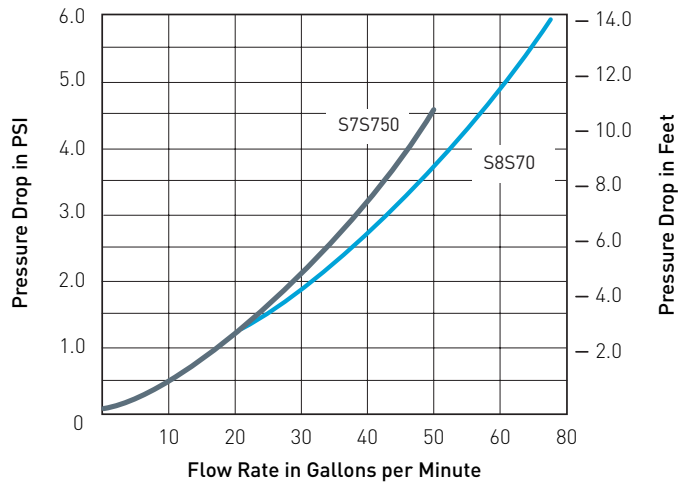
18202-0150
1-1/2 in. MULTIPORT VALVE



18201-0200
2 in. MULTIPORT VALVE



All dimensions shown in inches.



THS SERIES® HORIZONTAL SAND FILTER



THS Horizontal Sand Filter

Featured Highlights

- Five sizes to 27 sq. ft.
- Manway in front for easy access and smaller footprint
- Manway with viewport available as option
- 6 in. flanged connections, 4 in. victaulic on the THS 3461
- Optional manual, semi-automatic, and automatic backwash systems for one and two tank systems
- Two backwash controllers to choose from
- Influent manifold distribution to prevent clogging
- NSF approved from 5–20 gpm/sq. ft.

The THS Series Filter is an NSF-approved 50 psi rated tank with flow rates up to 535 gallons per minute. The filter shell is manufactured from a lasting composite laminate design that makes winding unnecessary. Paracote®, a waterbased, environmentally-friendly coating, provides remarkable surface protection.

Ordering Information

Product	Model	Description	Effective Filtration Area (Sq. Ft.)	Flow Rate (15 GPM/ Sq. Ft.)	6 Hour Turnover Capacity (In Gallons)	Filter Media		All Sand Required (Lbs.)	Carton Wt. (Lbs.)
						Pea Gravel Required (Lbs.)	Sand Required (Lbs.)		
THS SERIES HORIZONTAL FILTER									
143461	THS3461	THS 34 in. x 61 in.	13.5	203	73,080	300	1250	1550	550
143484	THS3484	THS 34 in. x 84 in.	19.0	285	102,600	600	1350	1950	610
144272	THS4272	THS 42 in. x 72 in.	19.7	295	106,200	500	2100	2600	650
144284	THS4284	THS 42 in. x 84 in.	23.2	348	125,280	600	2400	3000	725
144296	THS4296	THS 42 in. x 96 in.	26.7	400	144,000	700	2800	3500	800
CONTROLLERS (MUST USE WITH DIAPHRAGM VALVES MANIFOLD KITS)									
156400	Single THS manual controller 6 in. FP				156850	Single THS CA100 autbackwash controller			
156450	Dual THS manual controller 6 in. FP				CS400-01	CS400 backwash controller for single tank system			
156800	Dual THS CA100 autbackwash controller				CS400-02	CS400 backwash controller for dual tank system			



CM200 Manual Backwash Controller
This is the simplest option. No electronics or programming required. Simply turn the knob to backwash each tank in the system.

Multiport Gauge Panel



CS 400 Commercial Backwash Controller
This controller is programmable and controls every aspect of the backwash cycle once initiated. Backwash can be initiated three ways: by an operator with the touch of a button, by a signal from a master controller (such as the AK600), or by a signal from an optional differential pressure switch (CS400-DP). Stored backwash data and history, alarms, and calculated backwash cycle times are also features of the CS400 controller, as are relays for communication with the heater, pump and Acu Drive.



CA 100 Fully Automatic Backwash Controller
This is the most comprehensive backwash controller and can be readily reprogrammed to initiate backwash automatically based on differential pressure (integral pressure transducers are standard), time (internal seven-day clock with battery back-up is standard), flow (with optional flow sensor), or any combination of the above. The controller has real-time display of operation mode, filter flow rate, and water temperature (with optional temperature probe). Also, includes Energy Saver Mode for simple On/Off pump scheduling and various interlocks and relays to communicate with other equipment (pump, heater, Acu Drive).

THS SERIES® HORIZONTAL SAND FILTER (CONT'D)

MANIFOLD KITS ⁷	
155700	THS single tank manifold kit with butterfly valves ³
155720	THS dual tank manifold kit with butterfly valves ³
155701	THS single tank 6 in. FP kit with diaphragm valves ⁶
155721	THS dual 34 x 84 in. 6 in. FP kit with diaphragm valves ⁶
155730	THS dual 42 in. dia. 6 in FP Kit with diaphragm valves ⁶
MANIFOLD KITS FOR THS 34 X 61 ONLY ⁷	
155702	Kit-THS3461, single tank manifold, with butterfly valve kit ³
155722	Kit-THS3461, dual tank manifold, with butterfly valve kit ³
155703	Kit-THS3461, single tank manifold, with diaphragm valve kit ⁶
155723	Kit-THS3461, dual tank manifold, with diaphragm valve kit ⁶

ACCESSORIES	
140325	Adder kit for third THS Filter ²
156100	Temperature probe kit ⁴
156150	Flowmeter saddle kit 6 in. ⁴
155800	WA-KIT wedge anchor kit ¹
155705	Manway with Viewport upgrade - at time of purchase
155706	Manway with Viewport Retrofit Kit - replace existing in field
CS400DP	Mounted differential pressure switch ⁵
B4110	120v to 24v 100w transformer
B4221KIT	Gauge Panel Kit Influent/Effluent gauge

¹ One each per tank purchased if required.

² Adder Kit provides 6 in., SCH 80 manifold piping, fittings and hardware for the addition of a third THS Series filter of equal diameter only when #155720 Dual-Filter Butterfly Valve Face Piping Kit is used. Note: Using a 6 in. Schedule 80 plumbing kit with flows in excess of 812 GPM exceeds the maximum water velocity recommended in ANSI/NSPI-1 2003 Standard for Public Swimming Pools. For higher flows, summary calculations should be provided to show that the greater flow is possible with the pump and piping provided.

³ Does not require a purchase of a controller.

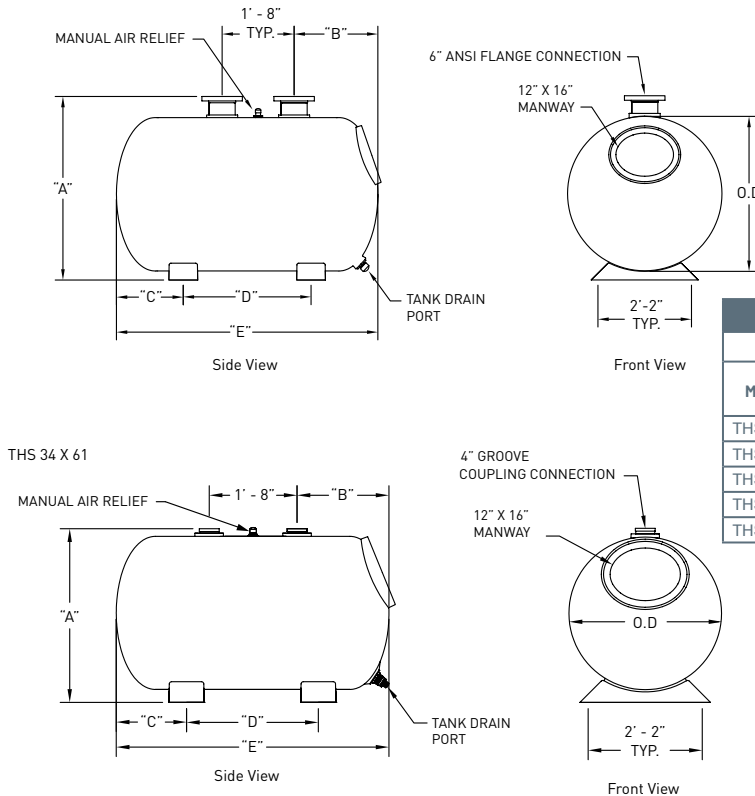
⁴ Only used with CA100 controller option.

⁵ Only available with CS400 controller.

⁶ Does require a purchase of a controller.

⁷ Does not include THS Tanks.

Dimensions and Performance



THS SERIES SPECIFICATION CHART							
Model	Tank Dimensions						WT
	"A" in.	"B" in.	"C" in.	"D" in.	"E" in.	"O.D." in.	
THS3461	39-1/2	21	16	30	62	35	550
THS3484	45	21-1/4	24-5/8	35-1/4	85	35	610
THS4272	52-1/4	23-1/4	18-7/8	35-1/4	73	43	650
THS4284	52-1/4	23-1/4	24-7/8	35-1/4	85	43	725
THS4296	52-1/4	23-1/4	30-7/8	35-1/4	97	43	800

NSF-approved for 5–20 gpm/sq. ft.

CALIFORNIA PROPOSITION 65 WARNING

⚠ **WARNING:** Cancer and Reproductive Harm.
 ⚠ **AVERTISSEMENT:** Peut Causer le Cancer et des Dommages au Système Reproducteur.
 ⚠ **ADVERTENCIA:** Cáncer y Daño Reproductivo.
www.p65warnings.ca.gov PHS 201714

TRITON® HD SIDE MOUNT FILTERS

HEAVY-DUTY FIBERGLASS SAND FILTER WITHOUT VALVES

TRADEGRADE

Triton HD Filter
(Unions not included)



Featured Highlights

Maximum Operating Pressure 75 psi

CALIFORNIA PROPOSITION 65 WARNING

⚠ **WARNING:** Cancer and Reproductive Harm.
 ⚠ **AVERTISSEMENT:** Peut Causer le Cancer et des Dommages au Système Reproducteur.
 ⚠ **ADVERTENCIA:** Cáncer y Daño Reproductivo.
www.p65warnings.ca.gov

All the same great performance and features of the original Triton filter with maximum operating pressure of 75 psi for those special high pressure installations such as single pump in-floor cleaning systems.

Ordering Information

Product	Model	Effective Filtration Area (Sq. Ft.)	Flow Rate (GPM Comm)	Turnover Capacity (In Gallons)			Filter Media		All Sand Req'd (Lbs.)	Carton Wt. (Lbs.)
				8 Hour	10 Hour	12 Hour	Pea Gravel Required (Lbs.)	Sand Required (Lbs.)		
TRITON HD SAND FILTER										
140335	TR100 HD	4.91	74	35,520	44,400	53,280	150	450	600	66
TRITON HD VALVE OPTIONS ¹										
263079	2 in. PVC slide valve w/o plumbing, for D.E. & sand filters									3
261049	2 in. HiFlow valve, no plumbing									7
261050	2 in. HiFlow valve w/ plumbing, for sand filters									11
261055	2 in. MPV for sand filters (SM 20-3)									10
261173	1-1/2 in. MPV, for sand filters (SM 10-3)									6
263064	Push Pull 7-1/2 in. Center Valve, Almond ABS									5
263080	FullFloXF Valve for Sand, inlet port on top, Pentair 2 in. unions glued on XF Valve									

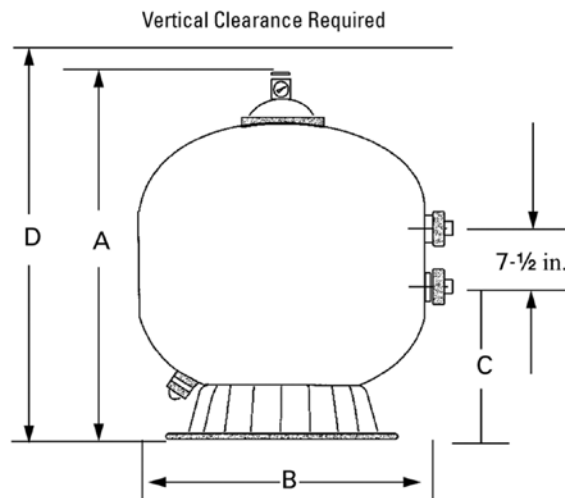
¹ Valves must be purchased separately.

Dimensions and Performance

Certified to NSF/ANSI Standard 50

DIMENSION TABLE

MODEL	A DIM.	B DIM.	C DIM.	D DIM.
TR100 HD	39-3/4 in.	30-1/2 in.	16-3/4 in.	41-3/4 in.



TRITON® C AND TRITON C-3

HIGH CAPACITY FIBERGLASS SIDE MOUNT SAND FILTER WITHOUT VALVES

TRADEGRADE

Featured Highlights

- Maximum Operating Pressure 50 psi
- Full 2 in. Drain
- 8 in. opening for easy access to sand bed
- The Triton C-3 features standard 3 in. flange connections
- TR 100C-3 & TR 140C-3 models are available in black only



TR 140C-3

TR 100 C

This filter series features multiple diverters for increased filtration rates in commercial applications up to 20 GPM/sq. ft.

CALIFORNIA PROPOSITION 65 WARNING

⚠ **WARNING:** Cancer and Reproductive Harm.
 ⚠ **AVERTISSEMENT:** Peut Causer le Cancer et des Dommages au Système Reproducteur.
 ⚠ **ADVERTENCIA:** Cáncer y Daño Reproductivo.
www.p65warnings.ca.gov

Ordering Information

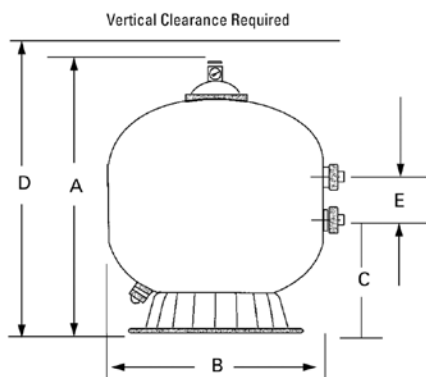
Product	Model	Effective Filtration Area (Sq. Ft.)	Flow Rate	Turnover Capacity (In Gal.) ²			Filter Media		All Sand Req'd (Lbs.)	Ctn Qty.	Ctn Wt. (Lbs.)
				6 Hour	8 Hour	10 Hour	Pea Gravel Req'd (Lbs.)	Sand Req'd (Lbs.)			
TRITON C SAND FILTERS											
140315	TR 100C-Almond	4.91	98	35,280	47,040	58,800	150	450	600	1	70
140316	TR 140C-Almond	7.06	141	50,760	67,680	84,600	275	650	925	1	82
TRITON C-3 SAND FILTERS											
140310	TR 100C-3-Black only	4.91	98	35,280	47,040	58,800	150	450	600	1	65
140342	TR 140C-3-Black only	7.06	141	50,760	67,680	84,600	275	650	925	1	82
TRITON C VALVE OPTIONS ¹											
261050	2 in. HiFlow w/ plumbing, for sand filters									1	11
261055	2 in. MPV, for sand filters (SM 20-3)									1	10
263010	Full-Flow valve, sand filters (will only work on the TR100C and TR140C models)									1	7
263080	FullFloXF Valve for Sand, inlet port on top, Pentair 2 in. unions glued on XF Valve										

¹ Valves must be purchased separately.

² Based on 20 gpm per sq. ft. Tanks are NSF approved for 5-20 gpm/sq. ft.

Dimensions and Performance

Certified to NSF/ANSI Standard 50



DIMENSION TABLE

MODEL	A. DIM.	B DIM.	C DIM.	D DIM.	E DIM.
TR 100 C	39¾ in.	30½ in.	16½ in.	43¾ in.	7½ in.
TR 140 C	45¼ in.	36½ in.	18¾ in.	49¾ in.	7½ in.
TR 100 C-3	39¾ in.	30½ in.	16-1/16 in.	43¾ in.	7.72 in.
TR 140 C-3	45¼ in.	36½ in.	18½ in.	49¾ in.	7.72 in.

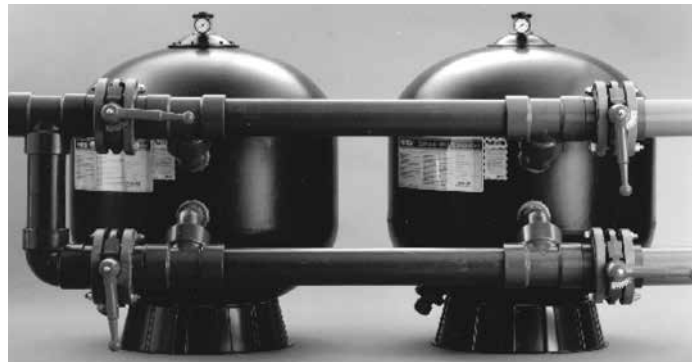
See pages 415-416 for replacement parts.

SCH 40 & 80 FOR TR100C, TR140C, TR100C-3 & TR140C-3 TANDEM FILTER PIPING KITS FOR 2 & 3 IN. FILTERS

These Tandem Filter Piping Kits are designed specifically for use with the Triton® TR100C, TR140C, Triton TR100C-3 and TR140C-3 Sand Filters to make the best even better.

We are providing this additional service for your convenient one-stop shopping. Pipe and filters are all you need.

Pipe is not included in kits.



Tandem Filter Piping Kits for Triton TR100C, TR140C, TR100C-3 and TR140C-3 Sand Filters

CALIFORNIA PROPOSITION 65 WARNING
 ⚠️ **WARNING:** Cancer and Reproductive Harm.
 ⚠️ **AVERTISSEMENT:** Peut Causer le Cancer et des Dommages au Système Reproducteur.
 ⚠️ **ADVERTENCIA:** Cáncer y Daño Reproductivo.
www.p65warnings.ca.gov PH201714

Ordering Information

Product	Model
For Plumbing Two TR100C or TR140C Filters	
146400	3 in. Two filter kit, SCH 40 (200 GPM)
146402	4 in. Two filter kit, SCH 40 (300 GPM)
146404	6 in. Two filter kit, SCH 40 (700 GPM)
146403	4 in. Two filter kit, SCH 80 (300 GPM)
146405	6 in. Two filter kit, SCH 80 (700 GPM)
For Plumbing Two TR100C-3 or TR140C-3 Filters	
147400	3 in. Two filter kit, SCH 40 (200 GPM)
147402	4 in. Two filter kit, SCH 40 (300 GPM)
147404	6 in. Two filter kit, SCH 40 (700 GPM)
147401	3 in. Two filter kit, SCH 80 (200 GPM)
147403	4 in. Two filter kit, SCH 80 (300 GPM)
147405	6 in. Two filter kit, SCH 80 (700 GPM)

Product	Model
Adder Kits for TR100C and TR140C Filters ¹	
146406	4 in. Single filter kit, SCH 40
146408	6 in. Single filter kit, SCH 40
146407	4 in. Single filter kit, SCH 80
146409	6 in. Single filter kit, SCH 80
Adder Kits for TR100C-3 and TR140C-3 Filters	
147406	4 in. Single filter kit, SCH 40
147408	6 in. Single filter kit, SCH 40
147407	4 in. Single filter kit, SCH 80
147409	6 in. Single filter kit, SCH 80

Note: All kits include hardware, fittings, gaskets.

Note: All kits include hardware, fittings, gaskets and butterfly valves.

Filters	Filter Area Sq. Ft.	Manifold Pipe Dia.	Filter Rate Sq. Ft.		Turnover Capacity		
			15 GPM	20 GPM	6 Hours	8 Hours	10 Hours
TANDEM TRITON 140C FILTER INSTALLATION							
6 TR 140's	42.36	6 in.	635	—	228,600	304,800	381,000
		8 in.	—	847	304,920	406,560	508,200
7 TR 140's	49.42	6 in.	741	—	266,760	355,680	444,600
		8 in.	—	988	355,680	474,240	592,800
8 TR 140's	56.48	8 in.	847	—	304,920	406,560	508,200
		8 in.	—	1130	406,800	542,400	678,000

SCH 40 & 80 FOR TR100C, TR140C, TR100C-3 & TR140C-3 (CONT'D)

TANDEM FILTER PIPING KITS FOR 2 & 3 IN. FILTERS

Filters	Filter Area Sq. Ft.	Manifold Pipe Dia.	Filter Rate Sq. Ft.		Turnover Capacity		
			15 GPM	20 GPM	6 Hours	8 Hours	10 Hours
TANDEM TRITON TR100C AND TR100C-3 FILTER INSTALLATION							
2 TR 100's	9.82	3 in.	147	—	52,920	70,560	88,200
		4 in.	—	196	70,560	94,080	117,600
3 TR 100's	14.73	4 in.	221	—	79,560	106,080	132,600
		4 in.	—	295	106,200	141,600	177,000
4 TR 100's	19.64	4 in.	295	—	106,200	141,600	177,000
		5 in.	—	393	141,480	188,640	235,800
5 TR 100's	24.55	5 in.	368	—	132,480	176,640	220,800
		5 in.	—	491	176,760	235,680	294,600
TANDEM TRITON TR140C AND TR140C-3 FILTER INSTALLATION							
2 TR 140's	14.12	4 in.	212	—	76,320	101,760	127,200
		4 in.	—	282	101,520	135,360	169,200
3 TR 140's	21.18	4 in.	318	—	114,480	152,640	190,800
		5 in.	—	424	152,640	203,520	254,400
4 TR 140's	28.24	5 in.	424	—	152,640	203,520	254,400
		6 in.	—	565	203,040	270,720	338,400
5 TR 140's	35.30	5 in.	530	—	190,800	254,400	318,000
		6 in.	—	706	254,160	338,880	423,600

Dimensions and Performance

Two Filter System	A	B	C	D	E	F	G	H	I	J	K	Total Wt.
3 in.—TR100C	82-3/8 in.	17-15/16 in.	48 in. min.	18 in. min.	39-3/4 in.	15 in.	29-33/64 in.	8-5/8 in.	11-1/32 in.	51-13/16 in.	—	2300 lbs.
3 in.—TR140C	88-3/8 in.	17-15/16 in.	54 in. min.	18 in. min.	45-1/4 in.	18 in.	32-33/64 in.	8-5/8 in.	13-15/32 in.	57-13/16 in.	—	3200 lbs.
4 in.—TR140C	95-3/4 in.	19-35/64 in.	54 in. min.	18 in. min.	45-1/2 in.	18 in.	33-1/8 in.	9-15/16 in.	12-21/32 in.	59-11/64 in.	—	2300 lbs.
6 in.—TR140C*	111-3/4 in.	24-7/32 in.	54 in. min.	18 in. min.	45-1/2 in.	18 in.	35-3/8 in.	12-13/16 in.	10-21/64 in.	64-13/32 in.	64-53/64 in.	3550 lbs.

* 6 in. piping needs to be rotated upward as shown at 25° so handle will clear the floor.

FIGURE 4A

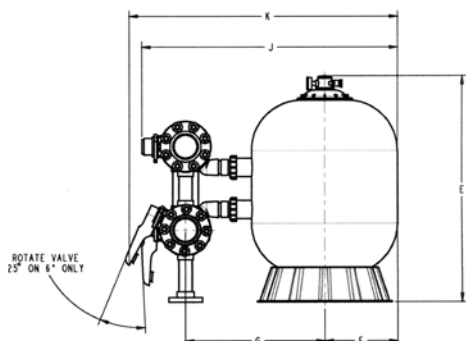
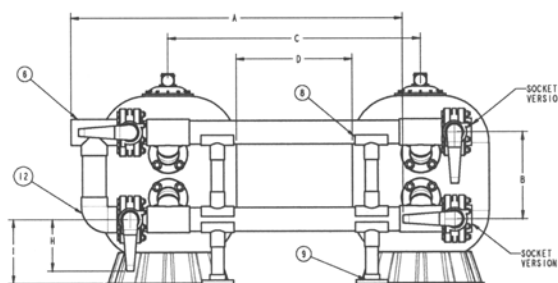


FIGURE 4B



See page 417 for replacement parts.

PLUMBING KITS & ACCESSORIES



50901600



154566

Featured Highlights

- Unionized pump/filter plumbing kits and base
- Bulkhead Union Sets can connect D.E. and high-rate sand filters to any plumbing. The kit consists of two half unions with both 1-1/2 and 2 in. pipe connections.

Ordering Information

Product	Description	Carton Qty.	Carton Wt. (Lbs.)
UNIONS			
98960311	Bulkhead union kit, 1-1/2 in. & 2 in. for Eclipse Filters	1	1
SIGHT GLASS			
50901600	Sight glass, 1-1/2 in. socket	1	1
TOOLS			
192019	Drain plug wrench ¹	1	1
ACCESSORIES AND KITS			
154566	2 in. Sight glass nipple, clear	1	1
185208	Plumbing kit, NS/FNS/CH, for use with Slide valve & Challenger, without valve	1	17
271092	2 in. Threaded adapter kit, for installations without valve	1	1
271094	1-1/2 in. Threaded adapter kit, w/o valve, for installations without valve	1	1
271096	2 in. Threaded bulkhead adapter kit, for installations without valve	1	1
274725	Union check valve, 2 in. socket	1	1
274426Z	Adapter Union Replacement Kit, 2-1/2 in. x 2 in.	1	2
354570	1-1/2 in. Quick disconnect kit, for Regenerative D.E. Filter	1	1
542090	Sand Vac, empties a sand filter in 10 minutes for repair, refilling, or removal	1	3

¹ For use on FNS Plus, Nautilus Plus & Clean & Clear Plus filters.

² For use on Star filters.

³ Torque wrench not required for filters with Tension Control™ clamp.



542090



354570

(now available in black)



274725



271094, 271096,
271092



185208

CALIFORNIA PROPOSITION 65 WARNING

▲ **WARNING:** Cancer and Reproductive Harm.
▲ **AVERTISSEMENT:** Peut Causer le Cancer et des Dommages au Système Reproducteur.
▲ **ADVERTENCIA:** Cáncer y Daño Reproductivo.

www.p65warnings.ca.gov
PR300714A

RETRO-FIT & UPGRADE KITS

Ordering Information

Product	Description
FNS KITS ¹	
181010	FNS clamp spring kit (works on all FNS clamps after 1-89)
NS KITS ¹	
181011	NS/PF35 spring clamp assembly

Product	Description
PF SAND KITS ¹	
181011	NS/PF35 spring clamp assembly
FILTER UPGRADES	
98209804	High flow manual air relief valve w/ instruction labels
59000400	High flow internal air relief kit upgrade for Titan manifold

¹ For filters manufactured prior to 1991.

² For use on filters built before 11-94.

CALIFORNIA PROPOSITION 65 WARNING

⚠ **WARNING:** Cancer and Reproductive Harm.
⚠ **AVERTISSEMENT:** Peut Causer le Cancer et des Dommages au Système Reproducteur.
⚠ **ADVERTENCIA:** Cáncer y Daño Reproductivo.
www.p65warnings.ca.gov

FILTER BASE KITS

BASE KITS FOR D.E. AND/OR SAND FILTERS



180010 - Elevated Base, Pump to Valve Plumbing Parts, and Mounting Hardware.

Use with FNS® Plus Filters and Challenger® Pumps with Slide Valve.

Ordering Information

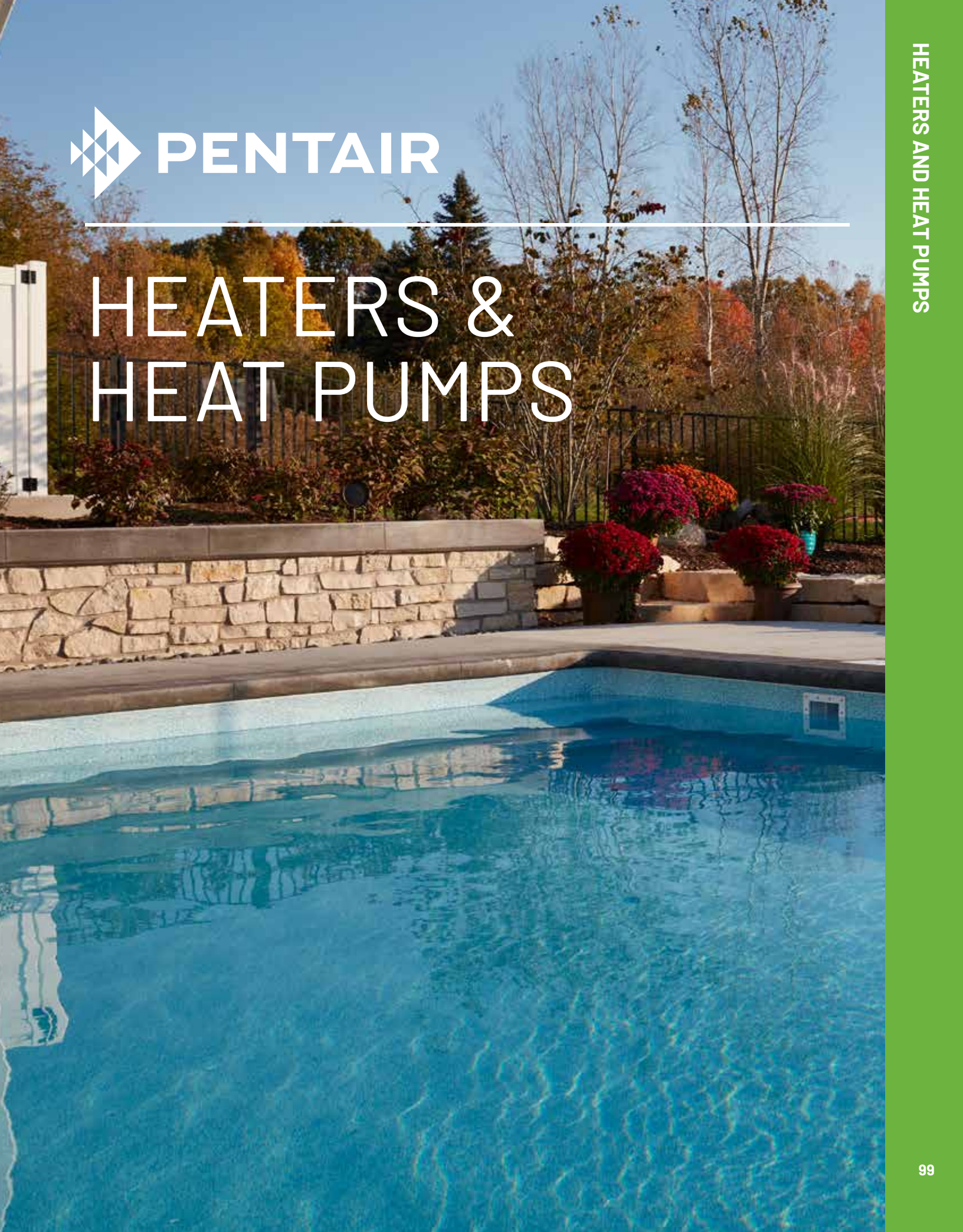
Product	Description	Carton Qty.	Carton Wt. (Lbs.)
ELEVATED BASE KITS			
180010	Base kit FNS Plus/CH/Slide, used for mounting FNS Plus and Slide Valves with Challenger Pump	1	17

CALIFORNIA PROPOSITION 65 WARNING

⚠ **WARNING:** Cancer and Reproductive Harm.
⚠ **AVERTISSEMENT:** Peut Causer le Cancer et des Dommages au Système Reproducteur.
⚠ **ADVERTENCIA:** Cáncer y Daño Reproductivo.
www.p65warnings.ca.gov



HEATERS & HEAT PUMPS



ULTRATEMP ETi® HEATER

HIGH PERFORMANCE HYBRID HEATER

TRADEGRADE



UltraTemp ETi Heater

First-Ever Dual-Fuel Heating Technology, delivering the fastest and most economical heating options

Featured Highlights

- Available in Propane and Natural Gas
- Gas-Fired functionality for quick heat-ups
- Onboard intelligence delivers outstanding efficiency
- TitanTough™ Direct-Fire Pure Titanium gas heat exchanger assures corrosion-free performance for extra long life
- 93% thermal efficiency gas engine coupled with high performance heat pump
- Smart controls and space savings versus installing two separate units, gas heater and heat pump
- Automation ready with seamless interfacing with Pentair Control Systems
- High efficiency design (four selectable modes: Heat Pump only, Gas only, Hybrid, Dual)
- In "Dual" mode the heater runs both the heat pump and gas heater simultaneously for maximum heat output
- In "Hybrid" mode the heater runs state-of-the-art programming logic to determine the fastest and most economical way to heat your pool based on user input water temperature differential and time period
- Dual internal water bypass assembly automatically adjusts for water flows up to 120 GPM without the need for an external water bypass



Ordering Information

Part #		Model	80/80/80* BTU/COP	80/63/80* BTU/COP	50/63/80* BTU/COP	Gas BTU	Freq (Hz)	Breaker Size (amp)	Phase	Volt	Ctn Wt.
BLACK	ALMOND										
ULTRATEMP ETi HEATER											
460970	460969	220K - Natural Gas	108,000/5.8	100,000/5.6	70,000/4.0	110,000	60	50	1	230	450
462043	462042	220K - Propane	108,000/5.8	100,000/5.6	70,000/4.0	110,000	60	50	1	230	450

* Rating in accordance with ARI Standard 1160 (air temp. °F. / % relative humidity / water temp °F.)

The AHRI Certified® Mark is applied only to HVACR equipment and components that have been independently tested to certify manufacturers' performance claims are accurate. Visit www.ahridirectory.org for a complete list of certified products.

CEC indicates that Heat Pump has been evaluated to California Title-20, listed in the California Energy Commission's (CEC) database of compliant heat pumps, and certified to use on Residential Swimming Pool Filtration Systems.

CALIFORNIA PROPOSITION 65 WARNING

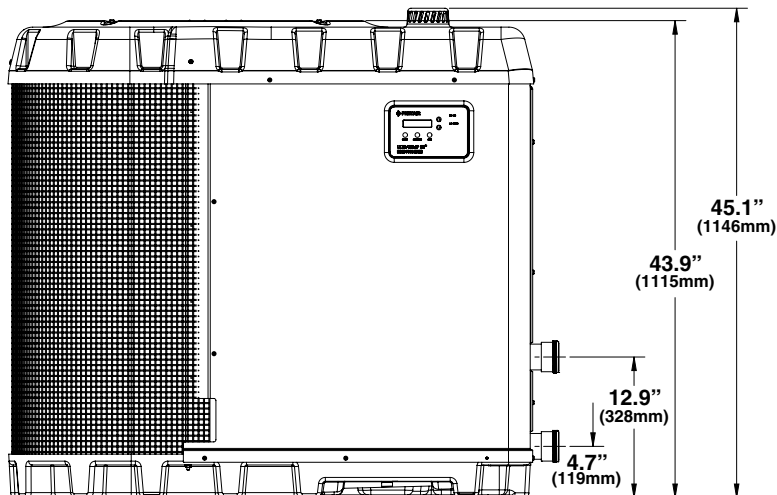
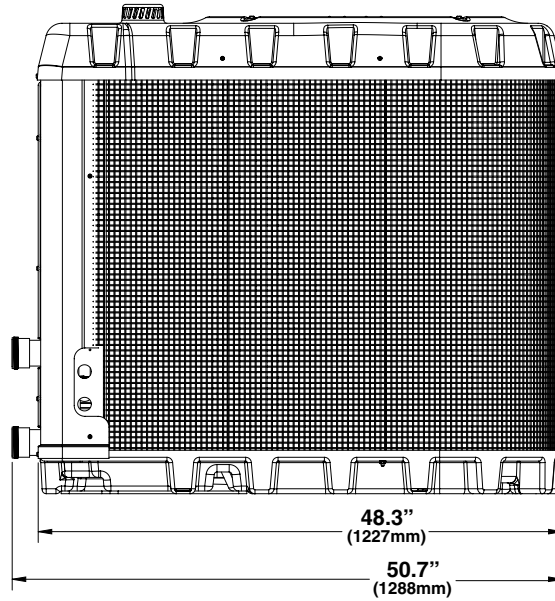
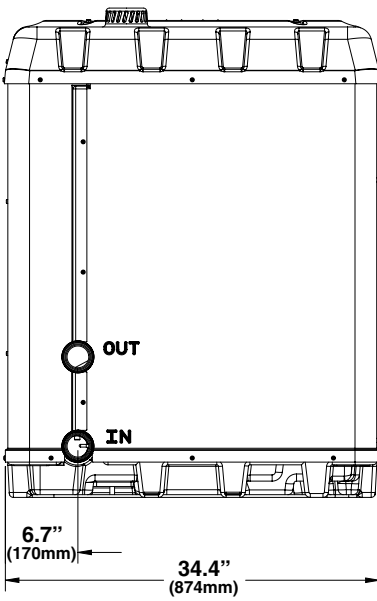
⚠ **WARNING:** Cancer and Reproductive Harm.
 ⚠ **AVERTISSEMENT:** Peut Causer le Cancer et des Dommages au Système Reproducteur.
 ⚠ **ADVERTENCIA:** Cáncer y Daño Reproductivo.
www.p65warnings.ca.gov

See pages 462–465 for replacement parts.

ULTRATEMP ETi[®] HEATER

HIGH PERFORMANCE HYBRID HEATER

Dimensions and Performance



ETi[®] 400

HIGH EFFICIENCY HEATER

TRADEGRADE



ETi 400 Heater

Featured Highlights

- TitanTough™ Direct-Fire Titanium ASME certified heat exchanger
- Certified for Ultra Low NOx Emissions
- Best-in-Class Energy Efficiency for fast heat up times and energy savings
- 4" PVC or CPVC vent up to 120 ft and 6" vent up to 300 ft long
- Indoor and Outdoor rating
- Ultra-Quiet operation
- Convenient 180 degrees rotating controls panel for left or right plumbing orientation
- Convenient front and rear gas connection capability
- Natural and Propane gas

The ETi 400 pool and spa heater brings you TitanTough Direct-Fire Titanium, the toughest ASME certified construction heat exchanger ever built. At 96% thermal efficiency, the ETi 400 heater has the highest efficiency ever built in its class. All this in a heater that operates with ultra-quiet noise level and out performs energy emissions standards.

Ordering Information

Product	Gas Type	BTU (000's)	Crate Qty.	Crate Wt.
ETi HEATER				
461113	Natural	400 ASME	1	365
ACCESSORIES				
475971	Direct Air Intake KIT (for indoor installations)		1	5
475612	Condensate Neutralizer Cartridge KIT		1	5
476072	Propane Gas Conversion Kit		1	2

CALIFORNIA PROPOSITION 65 WARNING

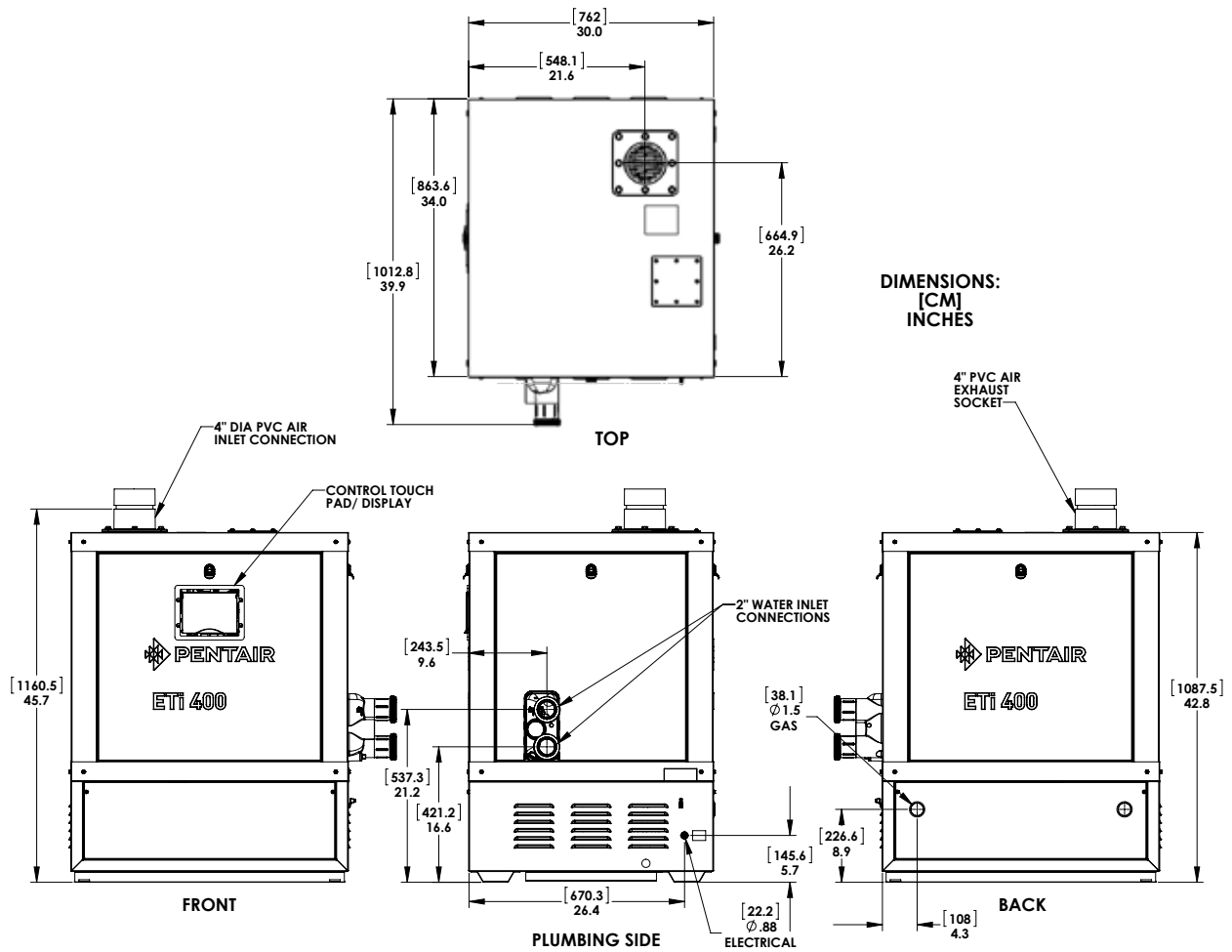
⚠ **WARNING:** Cancer and Reproductive Harm.
 ⚠ **AVERTISSEMENT:** Peut Causer le Cancer et des Dommages au Système Reproducteur.
 ⚠ **ADVERTENCIA:** Cáncer y Daño Reproductivo.
www.p65warnings.ca.gov

See pages 422–426 for replacement parts.

ETi[®] 400

HIGH EFFICIENCY HEATER

Dimensions and Performance



MASTERTEMP® HEATER

HIGH PERFORMANCE HEATER

TRADEGRADE



MasterTemp High Performance Heater



Featured Highlights

- Heats up fast so no long waits before enjoying your pool or spa
- Best-in-class energy efficiency*
- Manual gas shut-off when service is required
- Eco-friendly MasterTemp Heater is certified for low NOx emission and outperforms industry standards
- Rotating digital display allows for easy viewing
- Tough, rustproof exterior handles the heat and weathers the elements
- Certified for outdoor and indoor installations
- For Air Intake Kit order part number 461031

MasterTemp heaters offer all the efficiency, convenience and reliability features you want in a pool heater, plus a lot more. As easy to use as your home heating system, plus, user-friendly LCD display and troubleshoot icons make system operation and monitoring a snap. The compact design and super-quiet operation won't intrude on your poolside leisure time. Heavy-duty (HD) unit with cupro-nickel exchanger stands up to the harshest of applications, like low pH, high flow or heavy use.

Ordering Information

Product	Gas Type	BTU (000's)	Carton Qty./Carton Wt. LBS
MASTERTEMP HEATERS			
460792	Natural	175	1/128
460793	Propane	175	1/128
460730	Natural	200	1/128
460731	Propane	200	1/128
461000	Natural	200 ASME	1/138
461001	Propane	200 ASME	1/138
460732	Natural	250	1/133
460733	Propane	250	1/133
460771	Natural	250 ASME	1/140
460772	Propane	250 ASME	1/140
461020	Natural	250 ASME HD	1/140
460806	Natural	250HD	1/136
460734	Natural	300	1/136
460735	Propane	300	1/136
460736	Natural	400	1/136
460737	Propane	400	1/136
460805	Natural	400HD	1/136
460775	Natural	400ASME	1/149
461021	Natural	400 ASME HD	1/149
460776	Propane	400ASME	1/149

Note:

The MasterTemp High Performance Heater is certified for low NOx emissions.

Standard Copper Heat Exchanger
84% Efficient.

Heavy-Duty (HD) Cupro-Nickel Heat Exchanger 82% Efficient.

CALIFORNIA PROPOSITION 65 WARNING

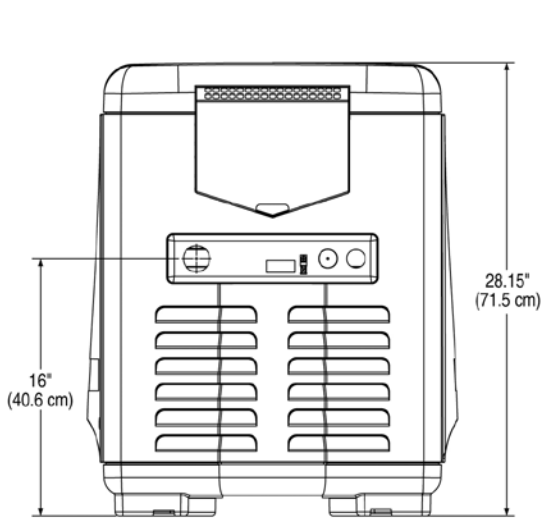
⚠ **WARNING:** Cancer and Reproductive Harm.
 ⚠ **AVERTISSEMENT:** Peut Causer le Cancer et des Dommages au Système Reproducteur.
 ⚠ **ADVERTENCIA:** Cáncer y Daño Reproductivo.
www.p65warnings.ca.gov

PN12017A

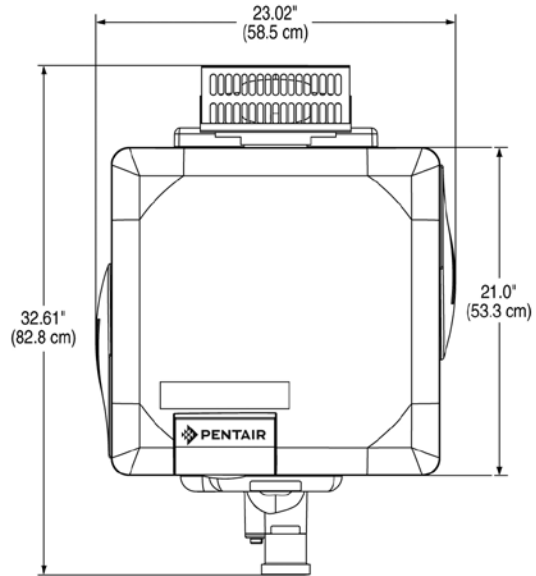
MASTERTEMP® HEATER (CONT'D)

HIGH PERFORMANCE HEATER

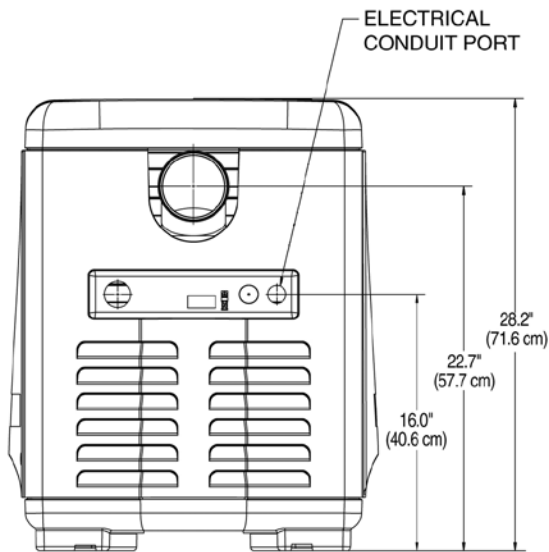
Dimensions and Performance



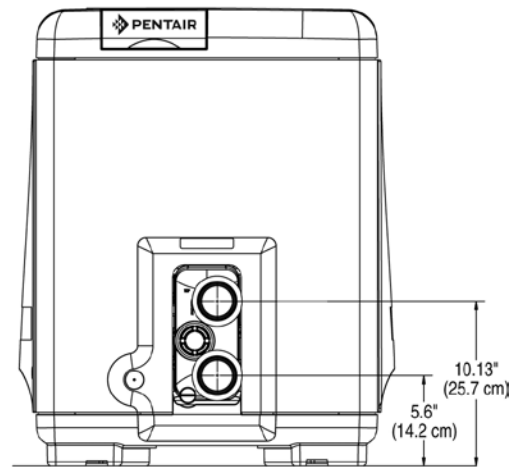
FRONT



TOP



EXHAUST SIDE



PLUMBING SIDE

See pages 427–431 for replacement parts.

MASTERTEMP® 125

HIGH PERFORMANCE HEATER

TRADEGRADE



MasterTemp 125 Heater

CALIFORNIA PROPOSITION 65 WARNING

⚠ **WARNING:** Cancer and Reproductive Harm.
 ⚠ **AVERTISSEMENT:** Peut Causer le Cancer et des Dommages au Système Reproducteur.
 ⚠ **ADVERTENCIA:** Cáncer y Daño Reproductivo.
www.p65warnings.ca.gov

Featured Highlights

- High-performance, affordable heater with premium features
- 82% energy efficiency is highest in class
- 1-1/2 in. Plumbing connection — ideal for smaller bodies of water, including aboveground pools, spas and in-ground pools up to 15,000 gallons
- Pre-mixed combustion technology for ultra-fast heat up
- Easy-to-use digital display/controller
- Certified for low NOx emissions
- Available in natural gas or propane gas
- Lightweight: 80 lbs. — easy to handle and ship
- Corrosion and UV-resistant enclosure
- 3/4 in. gas line up to 50 ft. from source
- Certified for outdoor and indoor installations
- For Air Intake Kit order part number 474845

The MasterTemp 125 Heater provides energy-savings and advanced operating features that were only available from much larger heaters. With its revolutionary pre-mixed gas combustion technology, the MasterTemp 125 Heater offers 82% thermal efficiency, the highest in its class. The advanced LCD display/controller provides more information and better control.

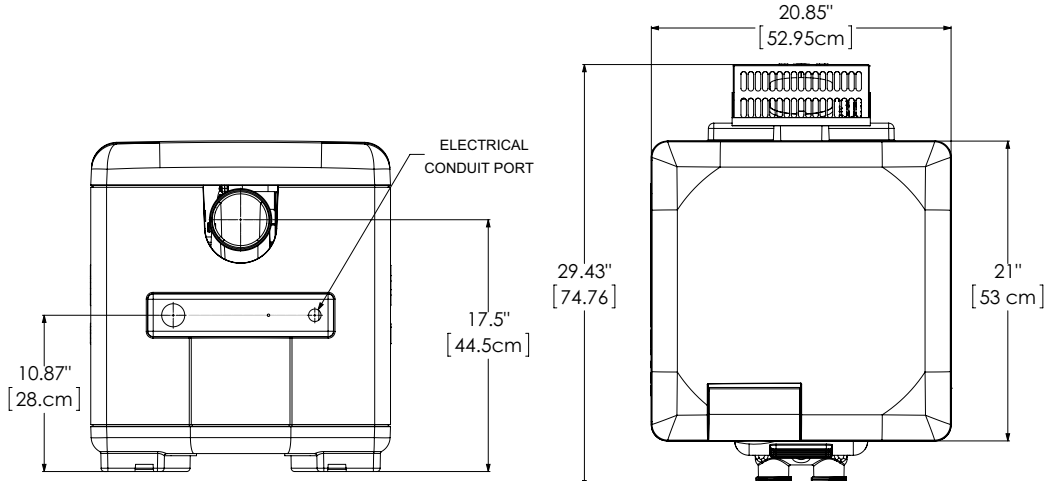
Ordering Information

Product	Gas Type	BTU (000's)	Carton Qty.	Carton Wt.
MASTERTEMP 125 HIGH PERFORMANCE HEATER				
461058	Natural, without cord	125	1	100
461059	Natural, with cord	125	1	100
461060	LP, without cord	125	1	100
461061	LP, with cord	125	1	100

MASTERTEMP® 125 (CONT'D)

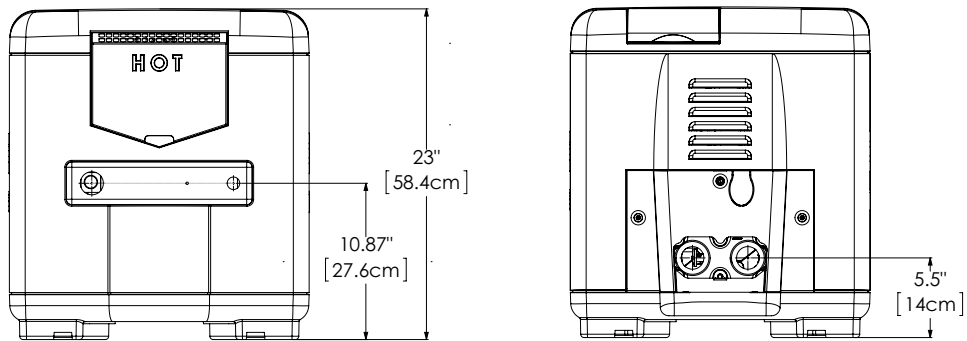
HIGH PERFORMANCE HEATER

Dimensions and Performance



FRONT VIEW

TOP VIEW



EXHAUST SIDE VIEW

PLUMBING SIDE VIEW

MAX-E-THERM®

POOL AND SPA HEATER



TRADEGRADE



Max-E-Therm Pool and Spa Heater

Featured Highlights

- Lightweight – Lightest heater in its class
- Best-in-class – energy efficiency*
- Compact Design – Ideal for retro-fit installations
- Easy to Switch – Change gas sources with installation of separate orifice
- Environmentally Friendly – All units are low NOx
- Rustproof Housing – Sleek, matte black enclosure is made of Dura-Glas™ – an exclusive Sta-Rite material that handles the heat and weathers the elements
- Lower Operating Costs – 84% efficiency rating – rated 1st in its class for highest energy efficiency
- Custom or Retrofit – Direct-connects to Sta-Rite System:3® Mod Media™ Filter or easily fits other systems
- Certified for outdoor and indoor installations
- For Air Intake Kit order part number 475002

For indoor or outdoor installations on pools and spas. Features include an LCD temperature readout with dual thermostat controls, temperature safety lockout, and 6-position control panel. PMG burner technology requires no outdoor draft hood. Proven Dura-Glas Resin provides rust-proof construction. Heavy-duty (HD) unit with cupro-nickel exchanger stands up to the harshest of applications, like low pH, high flow or heavy use.

Ordering Information

Product	Description	BTU (000's)	Carton Wt.
MAX-E-THERM POOL/SPA HEATER			
SR200NA	Max-E-Therm 200 BTU Natural Gas Heater	200	131
SR200LP	Max-E-Therm 200 BTU Propane Gas Heater	200	131
SR200HD	Max-E-Therm 200 BTU Heavy Duty Heater	200	131
460767	Max-E-Therm 250 BTU ASME Natural Gas Heater	250	151
460768	Max-E-Therm 250 BTU ASME Propane Gas Heater	250	151
SR333NA	Max-E-Therm 333 BTU Natural Gas Heater	333	138
SR333LP	Max-E-Therm 333 BTU Propane Gas Heater	333	138
SR333HD	Max-E-Therm 333 BTU Heavy Duty Heater	333	138
SR400NA	Max-E-Therm 400 BTU Natural Gas Heater	400	138
SR400LP	Max-E-Therm 400 BTU Propane Gas Heater	400	138
SR400HD	Max-E-Therm 400 BTU Heavy Duty Heater	400	138
460763	Max-E-Therm 400 BTU ASME NA Heater	400	149
460764	Max-E-Therm 400 BTU ASME LP Heater	400	149

Note: The Max-E-Therm Heater is certified for low NOx emissions.

* Standard Copper Heat Exchanger 84% Efficient.

Heavy Duty (HD) Cupro-Nickel Heat Exchanger 82% Efficient.

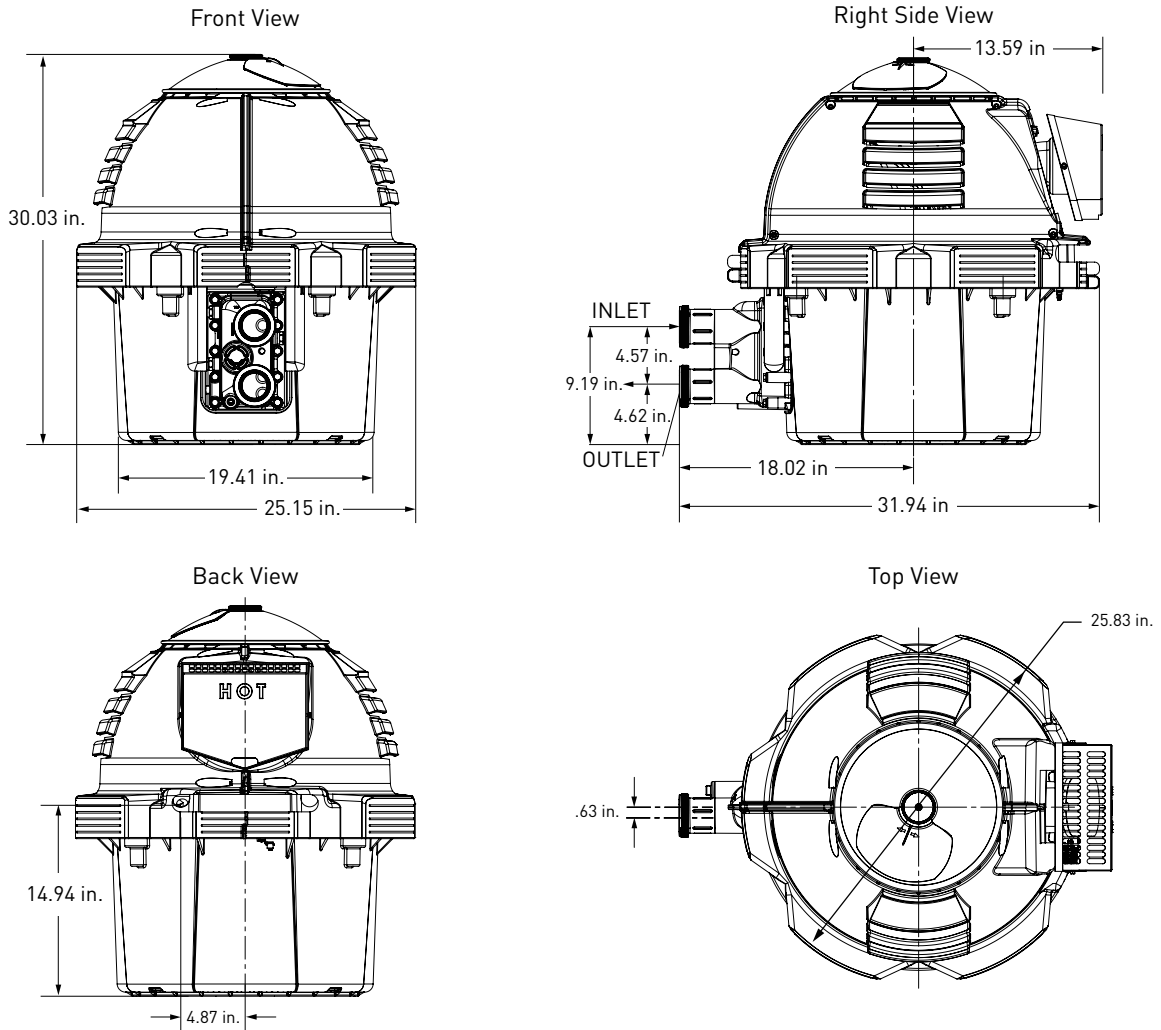
CALIFORNIA PROPOSITION 65 WARNING

⚠ **WARNING:** Cancer and Reproductive Harm.
 ⚠ **AVERTISSEMENT:** Peut Causer le Cancer et des Dommages au Système Reproducteur.
 ⚠ **ADVERTENCIA:** Cáncer y Daño Reproductivo.
www.p65warnings.ca.gov

MAX-E-THERM® (CONT'D)

POOL AND SPA HEATER

Dimensions and Performance



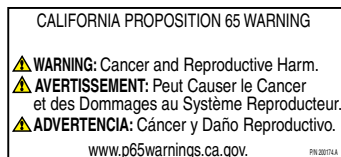
MAX-E-THERM® AND MASTERTEMP® HEATER ACCESSORIES

Ordering Information

Product	Description	Approx. Ship. Weight (Lbs.)
VERTICAL VENTING – NEGATIVE PRESSURE		
77707-0076	4 in. x 6 in. Metal Flue Collar	3
77707-0077	4 in. x 8 in. Metal Flue Collar	3
HORIZONTAL OR VERTICAL VENTING – POSITIVE PRESSURE ⁴		
77707-0086	Appliance Adapter, Stainless Steel – Manufactured by Heat-Fab® venting manufactured by Selkirk Corp. *	3
77707-0087	Appliance Adapter, Stainless Steel – Manufactured by Z-Flex U.S. Venting	3
CONVERSION KITS – NATURAL GAS TO LPG		
461063	NG to LP Conversion Kit - Model 125	1
460794	NG to LP Conversion Kit - Model 175	1
77707-1461	Conversion Kit NG-LPG 200K for Pool and Spa Heater	1
460741	NG to Propane Conversion Kit – Model 250	1
460755	NG to Propane Conversion Kit – Model 300	1
77707-1451	Conversion Kit NG-LPG 333K for Pool and Spa Heater	1
77707-1441	Conversion Kit NG-LPG 400K for Pool and Spa Heater	1
CONVERSION KITS – LPG to NATURAL GAS		
461062	LP to NG Conversion Kit - Model 125	1
460795	LP to NG Conversion Kit - Model 175	1
77707-1431	Conversion Kit LPG-NG for 200K Pool and Spa Heater	1
460742	Propane to NG Conversion Kit – Model 250	1
460756	Propane to NG Conversion Kit – Model 300	1
77707-1421	Conversion Kit LPG-NG for 333K Pool and Spa Heater	1
77707-1411	Conversion Kit LPG-NG for 400K Pool and Spa Heater	1
HEATER ACCESSORIES		
42001-0085S	Heater Bolt Down Bracket Kit (Max-E-Therm)	1
460738	Heater Bolt Down Bracket Kit (MasterTemp)	1
PKG 188Z	Union Package (2" Unions)	1
474974	Union Package (1-1/2" Unions)	1
U11-197P	2 in. Adapter (for service loop)	1
461031	Direct Air Intake Duct Kit (MasterTemp)	5
475002	Direct Air Intake Duct Kit (Max-E-Therm)	5
474845	Direct Air Intake Duct Kit (MasterTemp 125)	5

See Engineering Data pages 603-614 for information on selecting the proper size heater and for gas supply and pipe sizing information.

* Heat-Fab® is a registered trademark of Selkirk Corp.



COMMERCIAL POWERMAX®

HIGH PERFORMANCE ELECTRONIC IGNITION HEATER

Featured Highlights

- Reliable operation in natural or propane models
- Fan-assisted and filtered combustion air
- Dual ignition systems for models greater than 750,000 BTU
- Built-in mixing system reduces condensation possibilities
- Fits through standard doorways
- Gas supply right or left side
- CSA Certified
- **CSD-1 and other options available. Contact factory for part numbers.**



Commercial PowerMax Heater

When performance is critical, the PowerMax Heater provides peak efficiency and easy maintenance in both indoor and outdoor applications. Seven sizes delivering up to 85% efficiency ratings and meeting all Low NOx requirements. PowerMax Heater is designed for operation to 10,000 foot elevation.

CALIFORNIA PROPOSITION 65 WARNING

▲ **WARNING:** Cancer and Reproductive Harm.
▲ **AVERTISSEMENT:** Peut Causer le Cancer et des Dommages au Système Reproducteur.
▲ **ADVERTENCIA:** Cáncer y Daño Reproductivo.
www.p65warnings.ca.gov

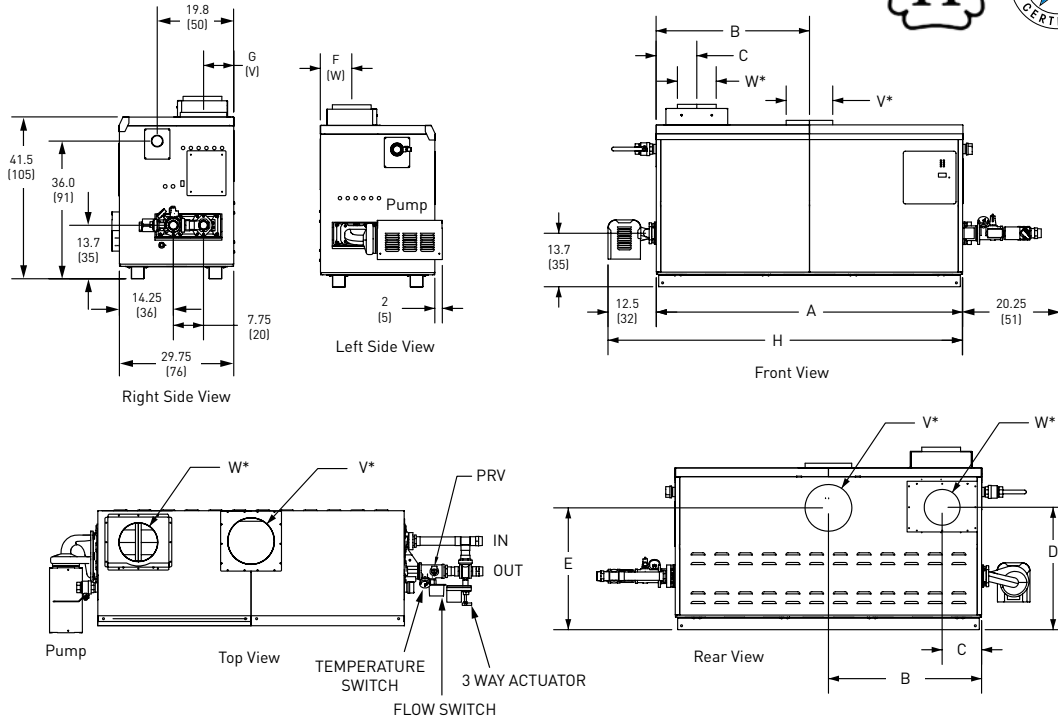
Ordering Information

Product	BTUs (000's)	Installation	Gas Type	Pump System	Heat Exchanger	Carton Wt. (Lbs.)
COMMERCIAL POWERMAX NATURAL GAS MODELS						
PM0500NACC3BXN	500	Indoor/Outdoor	Natural	Pump Mounted	Copper	495
PM0750NACC3BXN	750	Indoor/Outdoor	Natural	Pump Mounted	Copper	575
PM1000NACC3BXN	1000	Indoor/Outdoor	Natural	Pump Mounted	Copper	685
PM1250NACC3BXN	1250	Indoor/Outdoor	Natural	Pump Mounted	Copper	730
PM1500NACC3BXN	1500	Indoor/Outdoor	Natural	Pump Mounted	Copper	830
PM1750NACC3BXN	1750	Indoor/Outdoor	Natural	Pump Mounted	Copper	880
PM2000NACC3BXN	2000	Indoor/Outdoor	Natural	Pump Mounted	Copper	1025
PM0500NACC3PXN	500	Indoor/Outdoor	Natural	Pump Mounted	CuproNickel	495
PM0750NACC3PXN	750	Indoor/Outdoor	Natural	Pump Mounted	CuproNickel	575
PM1000NACC3PXN	1000	Indoor/Outdoor	Natural	Pump Mounted	CuproNickel	685
PM1250NACC3PXN	1250	Indoor/Outdoor	Natural	Pump Mounted	CuproNickel	730
PM1500NACC3PXN	1500	Indoor/Outdoor	Natural	Pump Mounted	CuproNickel	830
PM1750NACC3PXN	1750	Indoor/Outdoor	Natural	Pump Mounted	CuproNickel	880
PM2000NACC3PXN	2000	Indoor/Outdoor	Natural	Pump Mounted	CuproNickel	1025
COMMERCIAL POWERMAX PROPANE GAS MODELS						
PM0500PACC3BXN	500	Indoor/Outdoor	Propane	Pump Mounted	Copper	495
PM0750PACC3BXN	750	Indoor/Outdoor	Propane	Pump Mounted	Copper	575
PM1000PACC3BXN	1000	Indoor/Outdoor	Propane	Pump Mounted	Copper	685
PM1250PACC3BXN	1250	Indoor/Outdoor	Propane	Pump Mounted	Copper	730
PM1500PACC3BXN	1500	Indoor/Outdoor	Propane	Pump Mounted	Copper	830
PM1750PACC3BXN	1750	Indoor/Outdoor	Propane	Pump Mounted	Copper	880
PM2000PACC3BXN	2000	Indoor/Outdoor	Propane	Pump Mounted	Copper	1025
PM0500PACC3PXN	500	Indoor/Outdoor	Propane	Pump Mounted	CuproNickel	495
PM0750PACC3PXN	750	Indoor/Outdoor	Propane	Pump Mounted	CuproNickel	575
PM1000PACC3PXN	1000	Indoor/Outdoor	Propane	Pump Mounted	CuproNickel	685
PM1250PACC3PXN	1250	Indoor/Outdoor	Propane	Pump Mounted	CuproNickel	730
PM1500PACC3PXN	1500	Indoor/Outdoor	Propane	Pump Mounted	CuproNickel	830
PM1750PACC3PXN	1750	Indoor/Outdoor	Propane	Pump Mounted	CuproNickel	880
PM2000PACC3PXN	2000	Indoor/Outdoor	Propane	Pump Mounted	CuproNickel	1025
POWERMAX STACKING SYSTEMS						
Product	Type	Heater Model	Product	Type	Heater Model	
CA000800	Rack	PM500	CA001100	Rack	PM1250	
CA000900	Rack	PM750	CA001200	Rack	PM1500, PM1750	
CA0001000	Rack	PM1000	CA001300	Rack	PM2000	

COMMERCIAL POWERMAX® (CONT'D)

HIGH PERFORMANCE ELECTRONIC IGNITION HEATER

Dimensions and Performance



Dimensional Data Dimensions shown in inches, cm.

Size (000's)	A	B	C	D	E	F	G	H	Air Conn. W*	Vent Conn. V*	Horiz. Vent Pipe											
500	33½	85	15¾	40	5¾	15	29¾	76	32¾	83	7¾	20	8¾	22	46	117	6	15	8	15	6	15
750	45½	116	21¾	55	5¾	15	29¾	76	32¾	83	7¾	20	8¾	22	58	147	6	15	10	20	8	15
1000	57½	146	28¾	73	5¾	15	29¾	76	32¾	83	7¾	20	7	18	70	178	8	20	10	25	8	20
1250	68	172	34	86	10¼	26	30¾	78	29½	75	8¾	22	8¾	22	80	203	8	20	12	30	8	20
1500	78½	199	39¾	101	10¼	26	30¾	78	29½	75	8¾	22	8¾	22	91	231	8	20	12	30	8	20
1750	89	226	44½	113	10¼	26	30¾	78	29½	75	8¾	22	8¾	22	101	256	8	20	14	36	8	20
2000	99½	253	49¾	126	10¼	26	30¾	78	29½	75	8¾	22	8¾	22	112	284	12	30	14	36	12	30

*Air and vent connections may be on top or back of the PowerMax, and are field convertible.

Sizing Data

Indoor Model	Input ¹ BTU/h x1000	Output ¹ BTU/h x1000	Gas Conn. Size inches ²	Heater Water Conn. Size inches ²	Mixing System Water Conn. Size inches ²	Shipping Weight lbs. kg
500	500	425	1¼	2	2	495 225
750	750	638	1¼	2	2	575 261
1000	999	849	1½	2½	2	685 311
1250	1250	1063	2	2½	2	730 331
1500	1500	1275	2	2½	2	830 377
1750	1750	1488	2	2½	2	880 400
2000	1999	1699	2	2½	2	1025 465

NOTES: 1. Input and output must be derated 2% per 1000 feet above sea level when installed above 2000 feet altitude.
2. Dimensions are nominal.

Note: Contact factory at 1-800-831-7133 for replacement parts.

COMMERCIAL MEGATHERM®

HIGH PERFORMANCE ELECTRONIC IGNITION HEATER

Featured Highlights

- Electronic ignition
- Built-in draft diverter (indoor models) simplifies installation
- Integral pump assures proper water flow (models 500-1825)
- High temperature refractory firebox liner to 2000° F for greater efficiency
- Easy-to-service header flanges
- Corrosion-resistant glass-lined headers
- CSA Certified
- **CSD-1 and other options available. Contact factory for part numbers**
- Start-up service by an authorized representative is strongly recommended before regular operation

Commercial
MegaTherm
Heater



CALIFORNIA PROPOSITION 65 WARNING

▲ **WARNING:** Cancer and Reproductive Harm.
 ▲ **AVERTISSEMENT:** Peut Causer le Cancer et des Dommages au Système Reproducteur.
 ▲ **ADVERTENCIA:** Cáncer y Daño Reproductivo.
www.p65warnings.ca.gov

MegaTherm Pool Heaters are designed for commercial, institutional and large residential where economical performance and rapid heat-up are required. Available in indoor and outdoor models in both natural and propane. MegaTherm is design verified to the ANSI Z21.56 Standard for Gas-Fired Pool Heaters (Outdoor 5---1825 units are certified for use without the addition of a draft diverter or external vent. Indoor units incorporate a built-in draft diverter and require only vent piping.)

Ordering Information

Product	BTUs (000's)	Installation	Gas Type	Pump System	Heat Exchanger	Carton Wt. (Lbs.)
COMMERCIAL MEGATHERM NATURAL GAS MODELS						
MT0500IN09C1PC	500	Indoor	Natural	Pump Mounted	Copper	808
MT0600IN09C1PC	600	Indoor	Natural	Pump Mounted	Copper	819
MT0715IN09C1PC	715	Indoor	Natural	Pump Mounted	Copper	873
MT0850IN09C1PC	850	Indoor	Natural	Pump Mounted	Copper	945
MT0999IN09C1PC	999	Indoor	Natural	Pump Mounted	Copper	1041
MT1010IN09C1PC	1010	Indoor	Natural	Pump Mounted	Copper	1041
MT1200IN09C1PC	1200	Indoor	Natural	Pump Mounted	Copper	1199
MT1430IN09C1PC	1430	Indoor	Natural	Pump Mounted	Copper	1280
MT1670IN09CBPC	1670	Indoor	Natural	Pump Mounted	Copper	1445
MT1825IN09CBPC	1825	Indoor	Natural	Pump Mounted	Copper	1570
MT0500IN09C1PN	500	Indoor	Natural	Pump Mounted	CuproNickel	808
MT0600IN09C1PN	600	Indoor	Natural	Pump Mounted	CuproNickel	819
MT0715IN09C1PN	715	Indoor	Natural	Pump Mounted	CuproNickel	873
MT0850IN09C1PN	850	Indoor	Natural	Pump Mounted	CuproNickel	945
MT0999IN09C1PN	999	Indoor	Natural	Pump Mounted	CuproNickel	1041
MT1010IN09C1PN	1010	Indoor	Natural	Pump Mounted	CuproNickel	1041
MT1200IN09C1PN	1200	Indoor	Natural	Pump Mounted	CuproNickel	1199
MT1430IN09C1PN	1430	Indoor	Natural	Pump Mounted	CuproNickel	1280
MT1670IN09CBPN	1670	Indoor	Natural	Pump Mounted	CuproNickel	1445
MT1825IN09CBPN	1825	Indoor	Natural	Pump Mounted	CuproNickel	1570
MT0500EN09CBPC	500	Outdoor	Natural	Pump Mounted	Copper	855
MT0600EN09CBPC	600	Outdoor	Natural	Pump Mounted	Copper	949
MT0715EN09CBPC	715	Outdoor	Natural	Pump Mounted	Copper	1050
MT0850EN09CBPC	850	Outdoor	Natural	Pump Mounted	Copper	1100
MT0999EN09CBPC	999	Outdoor	Natural	Pump Mounted	Copper	1240
MT1010EN09CBPC	1010	Outdoor	Natural	Pump Mounted	Copper	1240
MT1200EN09CBPC	1200	Outdoor	Natural	Pump Mounted	Copper	1410
MT1430EN09CBPC	1430	Outdoor	Natural	Pump Mounted	Copper	1570
MT1670EN09CBPC	1670	Outdoor	Natural	Pump Mounted	Copper	1622
MT1825EN09CBPC	1825	Outdoor	Natural	Pump Mounted	Copper	1725
MT0500EN09CBPN	500	Outdoor	Natural	Pump Mounted	CuproNickel	855

COMMERCIAL MEGATHERM® (CONT'D)

HIGH PERFORMANCE ELECTRONIC IGNITION HEATER

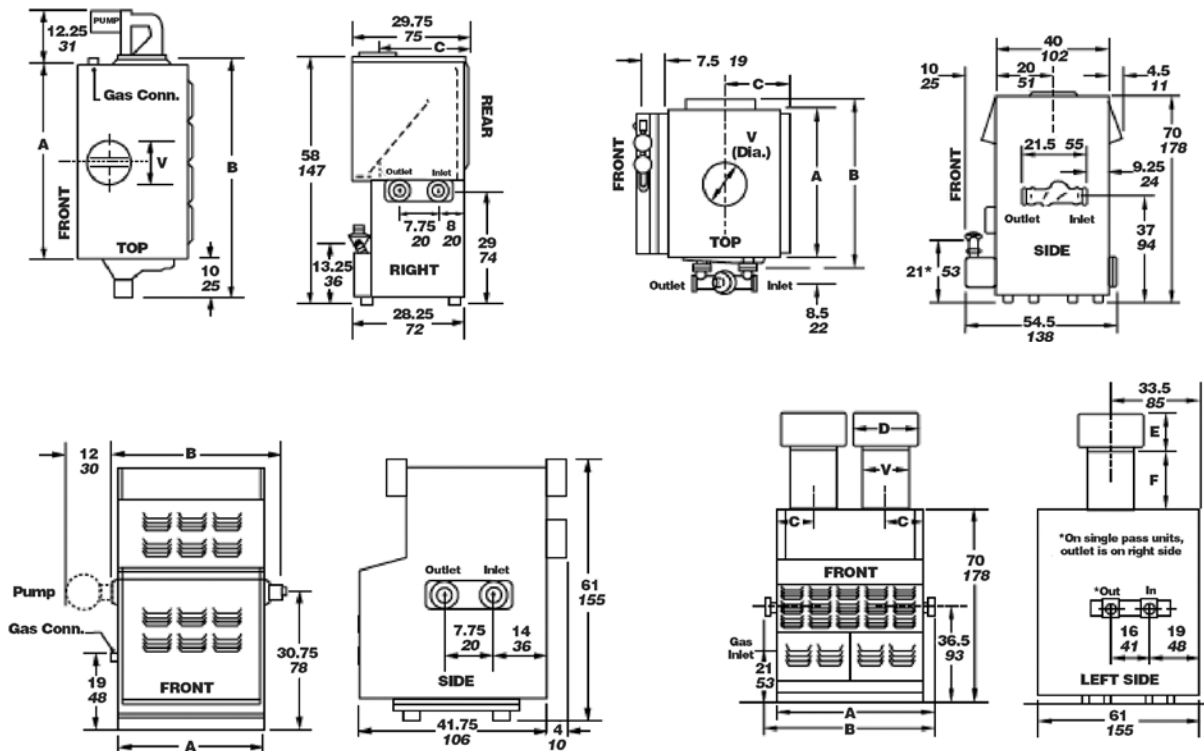
Product	BTUs (000's)	Installation	Gas Type	Pump System	Heat Exchanger	Carton Wt. (Lbs.)
COMMERCIAL MEGATHERM NATURAL GAS MODELS						
MT0600EN09CBPN	600	Outdoor	Natural	Pump Mounted	CuproNickel	949
MT0715EN09CBPN	715	Outdoor	Natural	Pump Mounted	CuproNickel	1050
MT0850EN09CBPN	850	Outdoor	Natural	Pump Mounted	CuproNickel	1100
MT0999EN09CBPN	999	Outdoor	Natural	Pump Mounted	CuproNickel	1240
MT1010EN09CBPN	1010	Outdoor	Natural	Pump Mounted	CuproNickel	1240
MT1200EN09CBPN	1200	Outdoor	Natural	Pump Mounted	CuproNickel	1410
MT1430EN09CBPN	1430	Outdoor	Natural	Pump Mounted	CuproNickel	1570
MT1670EN09CBPN	1670	Outdoor	Natural	Pump Mounted	CuproNickel	1622
MT1825EN09CBPN	1825	Outdoor	Natural	Pump Mounted	CuproNickel	1725
MT2000IN18CCAC	2000	Indoor	Natural	Less Pump	Copper	1950
MT2450IN18CCAC	2450	Indoor	Natural	Less Pump	Copper	2100
MT3050IN18CCAC	3050	Indoor	Natural	Less Pump	Copper	2250
MT3500IN18CCAC	3500	Indoor	Natural	Less Pump	Copper	2510
MT4050IN18CCAC	4050	Indoor	Natural	Less Pump	Copper	2750
MT4500IN18CCAC	4500	Indoor	Natural	Less Pump	Copper	2900
MT5000IN18CCAC	5000	Indoor	Natural	Less Pump	Copper	3200
MT2000IN18CCAN	2000	Indoor	Natural	Less Pump	CuproNickel	1950
MT2450IN18CCAN	2450	Indoor	Natural	Less Pump	CuproNickel	2100
MT3050IN18CCAN	3050	Indoor	Natural	Less Pump	CuproNickel	2250
MT3500IN18CCAN	3400	Indoor	Natural	Less Pump	CuproNickel	2510
MT4050IN18CCAN	4050	Indoor	Natural	Less Pump	CuproNickel	2750
MT4500IN18CCAN	4500	Indoor	Natural	Less Pump	CuproNickel	2900
MT5000IN18CCAN	5000	Indoor	Natural	Less Pump	CuproNickel	3200
MT2200EN18CCAC	2200	Outdoor	Natural	Less Pump	Copper	2320
MT2800EN18CCAC	2800	Outdoor	Natural	Less Pump	Copper	2500
MT3200EN18CCAC	3200	Outdoor	Natural	Less Pump	Copper	2840
MT3600EN18CCAC	3600	Outdoor	Natural	Less Pump	Copper	3175
MT4000EN18CCAC	4000	Outdoor	Natural	Less Pump	Copper	3940
MT4500EN18CCAC	4500	Outdoor	Natural	Less Pump	Copper	3790
MT2200EN18CCAN	2200	Outdoor	Natural	Less Pump	CuproNickel	2320
MT2800EN18CCAN	2800	Outdoor	Natural	Less Pump	CuproNickel	2500
MT3200EN18CCAN	3200	Outdoor	Natural	Less Pump	CuproNickel	2840
MT3600EN18CCAN	3600	Outdoor	Natural	Less Pump	CuproNickel	3175
MT4000EN18CCAN	4000	Outdoor	Natural	Less Pump	CuproNickel	3940
MT4500EN18CCAN	4500	Outdoor	Natural	Less Pump	CuproNickel	3790
COMMERCIAL MEGATHERM PROPANE MODELS						
MT0500IP09C1PC	500	Indoor	Propane	Pump Mounted	Copper	808
MT0600IP09C1PC	600	Indoor	Propane	Pump Mounted	Copper	819
MT0715IP09C1PC	715	Indoor	Propane	Pump Mounted	Copper	873
MT0850IP09C1PC	850	Indoor	Propane	Pump Mounted	Copper	945
MT0999IP09C1PC	999	Indoor	Propane	Pump Mounted	Copper	1041
MT1010IP09C1PC	1010	Indoor	Propane	Pump Mounted	Copper	1041
MT1200IP09C1PC	1200	Indoor	Propane	Pump Mounted	Copper	1199
MT1430IP09C1PC	1430	Indoor	Propane	Pump Mounted	Copper	1280
MT1670IP09CBPC	1670	Indoor	Propane	Pump Mounted	Copper	1445
MT1825IP09CBPC	1825	Indoor	Propane	Pump Mounted	Copper	1570
MT0500IP09C1PN	500	Indoor	Propane	Pump Mounted	CuproNickel	808
MT0600IP09C1PN	600	Indoor	Propane	Pump Mounted	CuproNickel	819
MT0715IP09C1PN	715	Indoor	Propane	Pump Mounted	CuproNickel	873
MT0850IP09C1PN	850	Indoor	Propane	Pump Mounted	CuproNickel	945

COMMERCIAL MEGATHERM® (CONT'D)

HIGH PERFORMANCE ELECTRONIC IGNITION HEATER

Product	BTUs (000's)	Installation	Gas Type	Pump System	Heat Exchanger	Carton Wt. (Lbs.)
COMMERCIAL MEGATHERM PROPANE MODELS						
MT0999IP09C1PN	999	Indoor	Propane	Pump Mounted	CuproNickel	1041
MT1010IP09C1PN	1010	Indoor	Propane	Pump Mounted	CuproNickel	1041
MT1200IP09C1PN	1200	Indoor	Propane	Pump Mounted	CuproNickel	1199
MT1430IP09C1PN	1430	Indoor	Propane	Pump Mounted	CuproNickel	1280
MT1670IP09CBPN	1670	Indoor	Propane	Pump Mounted	CuproNickel	1445
MT1825IP09CBPN	1825	Indoor	Propane	Pump Mounted	CuproNickel	1570
MT0500EP09CBPC	500	Outdoor	Propane	Pump Mounted	Copper	855
MT0600EP09CBPC	600	Outdoor	Propane	Pump Mounted	Copper	949
MT0715EP09CBPC	715	Outdoor	Propane	Pump Mounted	Copper	1050
MT0850EP09CBPC	850	Outdoor	Propane	Pump Mounted	Copper	1100
MT0999EP09CBPC	999	Outdoor	Propane	Pump Mounted	Copper	1240
MT1010EP09CBPC	1010	Outdoor	Propane	Pump Mounted	Copper	1240
MT1200EP09CBPC	1200	Outdoor	Propane	Pump Mounted	Copper	1410
MT1430EP09CBPC	1430	Outdoor	Propane	Pump Mounted	Copper	1570
MT1670EP09CBPC	1670	Outdoor	Propane	Pump Mounted	Copper	1622
MT1825EP09CBPC	1825	Outdoor	Propane	Pump Mounted	Copper	1725
MT0500EP09CBPN	500	Outdoor	Propane	Pump Mounted	CuproNickel	855
MT0600EP09CBPN	600	Outdoor	Propane	Pump Mounted	CuproNickel	949
MT0715EP09CBPN	715	Outdoor	Propane	Pump Mounted	CuproNickel	1050
MT0850EP09CBPN	850	Outdoor	Propane	Pump Mounted	CuproNickel	1100
MT0999EP09CBPN	999	Outdoor	Propane	Pump Mounted	CuproNickel	1240

Dimensions and Performance



ULTRATEMP® HEAT PUMP

HIGH PERFORMANCE HEAT PUMP

TRADEGRADE



UltraTemp 120Q Heat Pump

The industry's first heat pump charged with non-ozone depleting refrigerant, R410A.

Featured Highlights

- 100% titanium heat exchanger assures corrosion-free performance for extra long life
- LCD control board displays an intuitive menu-driven read out with easy to follow full word messages...no more codes
- AutoSet (time clock over-ride) feature monitors water temperature and turns the water circulation pump on and off as needed to maintain desired pool temperatures
- Automatic defrost feature senses refrigerant temperature and prevents freezing, allowing the heat pump to operate at even lower temperatures
- Compatible with ALL automated control packages
- Long-life corrosion resistant plastic composite cabinet stands up to severe climates and pool chemicals
- Emerson® Copeland Scroll® Compressor
- ETL listed for safe operation
- Thermostatic Expansion Valve (TXV) controls refrigerant flow for optimum efficiency and BTU output over a wider operating range
- Highest efficiency available, meets or exceeds existing codes and standards
- BTU and efficiency performance independently certified by the Air-Conditioning, Heating and Refrigeration Institute, AHRI

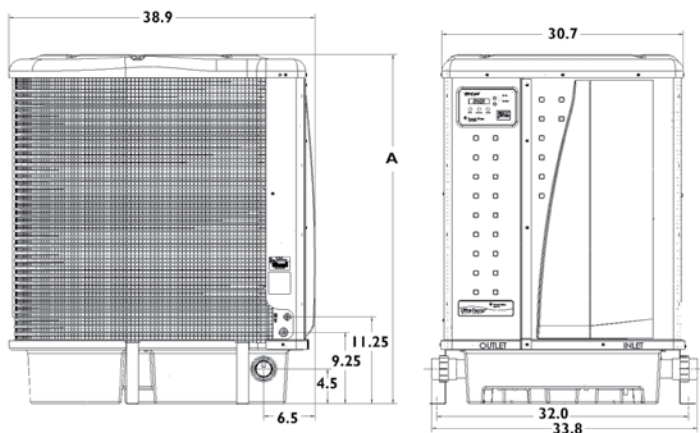
Ordering Information

Part #		Model	80/80/80* BTU/COP	80/63/80* BTU/COP	50/63/80* BTU/COP	Freq (Hz)	Breaker Size (amp)	Phase	Volt	Ctn Qty.	Ctn Wt.	"A" Dim.
BLACK	ALMOND											
ULTRATEMP HEAT PUMPS												
460960	460930	70	75,000/5.9	70,000/5.7	50,000/4.0	60	40	1	230	1	290	33.5
460961	460931	90	90,000/5.8	85,000/5.6	60,000/4.0	60	50	1	230	1	300	33.5
460962	460932	110	110,000/6.1	101,000/5.8	70,000/4.0	60	50	1	230	1	271	45.5
460863	460833	120Q	127,000/5.7	120,000/5.5	80,000/4.0	60	50	1	230	1	270	48.1
460964	460934	140	145,000/5.8	135,000/5.6	90,000/4.0	60	50	1	230	1	335	45.5
460965	460935	120 H/C	125,000 Heat/5.5 71,000 Cool/4.1	118,000/5.3	80,000/4.0	60	50	1	230	1	283	45.5
460959	460958	140 H/C	140,000 Heat/5.6 71,000 Cool/4.1	132,000/5.4	85,000/4.0	60	50	1	230	1	344	45.5
460967	460937	120 C	122,000/5.5	114,000/5.3	76,000/4.0	60	50	3	230	1	264	45.5
460929	460928	140C	140,000/5.7	130,000/5.5	85,000/4.0	60	50	3	230	1	335	45.5

* Rating in accordance with ARI Standard 1160 (air temp. °F. / % relative humidity / water temp °F.)

Emerson® is a registered trademark of Emerson Electric Co. and Copeland Scroll® is a registered trademark of Emerson Climate Technologies, Inc.

Dimensions and Performance



CALIFORNIA PROPOSITION 65 WARNING

⚠️ **WARNING:** Cancer and Reproductive Harm.
 ⚠️ **AVERTISSEMENT:** Peut Causer le Cancer et des Dommages au Système Reproducteur.
 ⚠️ **ADVERTENCIA:** Cáncer y Daño Reproductivo.

www.p65warnings.ca.gov PH201714A



The AHRI Certified® Mark is applied only to HVACR equipment and components that have been independently tested to certify manufacturers' performance claims are accurate. Visit www.ahridirectory.org for a complete list of certified products.

CEC indicates that Heat Pump has been evaluated to California Title-20, listed in the California Energy Commission's (CEC) database of compliant heat pumps, and certified to use on Residential Swimming Pool Filtration Systems.

See pages 466–467 for replacement parts.



LIGHTING



MICROBRITE®

COLOR AND WHITE LED LIGHT

TRADEGRADE



MicroBrite Color and White LED Light

Give pools a brilliant lighting upgrade without the installation difficulties. Only 3.5-in. long, MicroBrite lights fit easily into standard 1.5-in. wall fittings and are suitable for retrofit into many pools with older fiber optic systems.

All Pentair UL Listed underwater lights are certified for use in fresh water with up to 6,000 ppm salinity.

Featured Highlights

- Energy-saving, LED efficiency from the industry's most compact 12V LED plastic light
- Only 3.5 inches long, fits into narrow walls and tight spaces, can be installed horizontally or vertically
- No niche required — installs in any standard 1.5 inch pool wall fitting
- Connect to any Pentair control system or the Pentair IntelliBrite® Controller

CALIFORNIA PROPOSITION 65 WARNING

⚠️ **WARNING:** Cancer and Reproductive Harm.
 ⚠️ **AVERTISSEMENT:** Peut Causer le Cancer et des Dommages au Système Reproducteur.
 ⚠️ **ADVERTENCIA:** Cáncer y Daño Reproductivo.
www.p65warnings.ca.gov PN20174A

Ordering Information

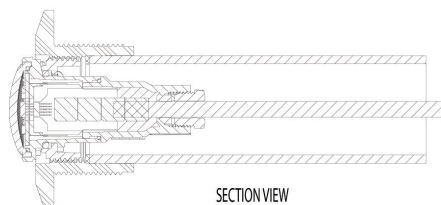
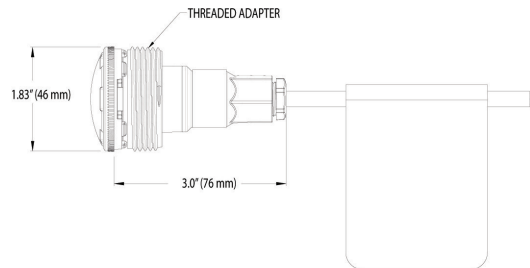
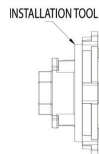
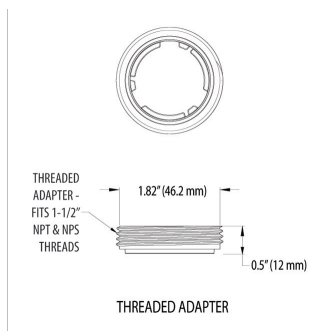
Product	Description	Color	Lights	Cord Length	Voltage	Watts
MICROBRITE LED LIGHT						
620424	MicroBrite Light	Color LED	One	50'	12V	14W
620425	MicroBrite Light	Color LED	One	100'	12V	14W
620426	MicroBrite Light	Color LED	One	150'	12V	14W
620428	MicroBrite Light	White LED	One	50'	12V	14W
620429	MicroBrite Light	White LED	One	100'	12V	14W
620430	MicroBrite Light	White LED	One	150'	12V	14W
620457	MicroBrite Light	Warm White LED	One	100'	12V	14W
MICROBRITE COMBO KITS WITH 300 WATT TRANSFORMER						
602130	MicroBrite Light Combo Kit	Color LED	Two	100'	12V	
602131	MicroBrite Light Combo Kit	White LED	Two	100'	12V	
602132	MicroBrite Light Combo Kit	Warm White LED	Two	100'	12V	
602133	MicroBrite Light Combo Kit	Color LED	Four	100'	12V	
602134	MicroBrite Light Combo Kit	White LED	Four	100'	12V	
602135	MicroBrite Light Combo Kit	Warm White LED	Four	100'	12V	

Note: A 300W transformer is included in each combo kit. Transformer is 120V input, 12V-14V output.

Product	Voltage	Wattage
TRANSFORMERS (LANDSCAPE POOL RATED)		
619962	120V Input, 12-14V Output	100W
619963	120V Input, 12-14V Output	300W

Product	Description
REPLACEMENT KITS	
620460	MicroBrite Light Adaptor (Replacement)
620459	Installation Tool (Replacement)
620463	Conduit Seal O-Ring (Replacement)

Dimensions and Certifications



INTELLIBRITE® 5G COLOR LED LIGHTS

UNDERWATER LED LIGHTS FOR SWIMMING POOLS AND SPAS

Featured Highlights

- A superior reflector design assures more light is directed toward the pool bottom to further increase intensity and color effects, while minimizing glare
- Superior lens geometry distributes light in an optimum way to avoid “hot spots” on the pool bottom. Light intensity and color are distributed more uniformly throughout your pool.
- Pool lens can be rotated to 180 degrees to provide wide beam pattern (standard) or narrow beam pattern
- IntelliBrite LED Light technology makes use of the brightest and most energy efficient LED's available in underwater pool and spa lights – up to 50% less energy consumption than competitor's lights
- Set one of 5 predetermined fixed colors to match or create the mood for the evening – blue, green, magenta, white, and red or select from 7 popular “color shows” that come preprogrammed into IntelliBrite Light
- IntelliBrite 5g Lights easily pair with Pentair Control Systems for superior pool, spa and poolscape equipment automation
- IntelliBrite 5g Color Pool and Spa lights are backwards compatible with first generation IntelliBrite lights
- Compatible with Pentair stainless steel and plastic niches

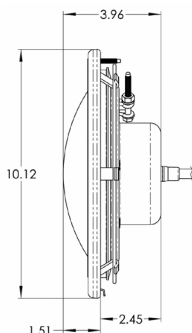
CALIFORNIA PROPOSITION 65 WARNING

⚠ **WARNING:** Cancer and Reproductive Harm.
 ⚠ **AVERTISSEMENT:** Peut Causer le Cancer et des Dommages au Système Reproducteur.
 ⚠ **ADVERTENCIA:** Cáncer y Daño Reproductivo.
www.p65warnings.ca.gov PA 201514

Product	Voltage	Wattage	Cord Length (Ft.)	Carton Qty.
INTELLIBRITE 5g COLOR POOL LIGHTS				
601000	120	26W	30	1
601001	120	26W	50	1
601002	120	26W	100	1
601003	120	26W	150	1
601004	120	26W	250	1
601010	12	26W	30	1
601011	12	26W	50	1
601012	12	26W	100	1
601013	12	26W	150	1

¹**Notice:** Underwriters Laboratories has listed Pentair Water Pool and Spa, Inc. lights for use with Pentair Water Pool and Spa, Pentair Pool Products, American Products, Purex, or PacFab niches ONLY. To ensure proper grounding/bonding connections install only Pentair Water Pool and Spa lights in Pentair, Water Pool and Spa, Pentair Pool Products, American Products, Purex or PacFab niches only.

Note: **IntelliBrite Pool Sized Lights** can be utilized to replace: **Sta-Rite:** SunSaver¹, SunBrite¹, SunGlow¹. **American Products:** Amerlite¹. **Purex-Triton:** SunRay¹, Pool Star¹, Hatteras¹. **PacFab:** Spectrum Amerlite¹ (SAM), AmerQuartz¹, and most lights that are 10.12" across. To ensure proper grounding of replacement lights, please see the notice directly above.



TRADEGRADE



IntelliBrite 5g Color LED Pool and Spa Lights

IntelliBrite 5g Color-Changing Underwater LED Lights provide vivid illumination using less than half the energy of competing LED lights. Plus, by consuming only 26 watts for pool lights and 18 watts for spa lights, IntelliBrite 5g lights also use significantly less energy than traditional incandescent and halogen pool lights.

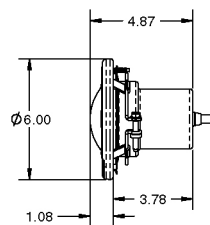
All Pentair UL Listed underwater lights are certified for use in fresh water with up to 6,000 ppm salinity.

Note: All 120 volt pool and spa lights must be connected to a branch circuit protected by a ground fault circuit interrupter (GFCI).

Ordering Information

Product	Voltage	Wattage	Cord Length (Ft.)	Carton Qty.
INTELLIBRITE 5g COLOR SPA LIGHTS				
640120	120	18W	30	1
640121	120	18W	50	1
640122	120	18W	100	1
640123	120	18W	150	1
640124	120	18W	250	1
640130	12	18W	30	1
640131	12	18W	50	1
640132	12	18W	100	1
640133	12	18W	150	1

Dimensions and Certifications



Please refer to pages 133-135 for Canadian listed Pool Lights.

See pages 476-477 for replacement parts.

INTELLIBRITE® 5G WHITE LED LIGHTS

UNDERWATER LED LIGHTS FOR SWIMMING POOLS AND SPAS

TRADEGRADE



IntelliBrite 5g White LED Pool Light

IntelliBrite 5g White LED light offers a brighter, more energy efficient alternative to incandescent white lighting. Utilizing its array of LEDs, it is also ideal for commercial applications.

All Pentair UL Listed underwater lights are certified for use in fresh water with up to 6,000 ppm salinity.

Featured Highlights

- The brightest most energy efficient white LED pool light on the market
- Energy efficient utilizing up to 86% less energy than comparable incandescent lights
- Superior lens geometry and innovative reflector design combine to create a wider beam and more uniform light distribution
- Pool lens can be rotated to 180 degrees to provide wide beam pattern (standard) or narrow beam pattern
- Compatible with Pentair stainless steel and plastic niches
- Available in 120V and 12V versions
- Available in 300W, 400W, and 500W incandescent equivalencies

CALIFORNIA PROPOSITION 65 WARNING

⚠ WARNING: Cancer and Reproductive Harm.
⚠ AVERTISSEMENT: Peut Causer le Cancer et des Dommages au Système Reproducteur.
⚠ ADVERTENCIA: Cáncer y Daño Reproductivo.
www.p65warnings.ca.gov

Ordering Information for Pool Lights

Product	Voltage	Wattage	Cord Length (Ft.)	Incandescent Equivalency	Carton Qty.
INTELLIBRITE 5g WHITE POOL LIGHTS – 300 WATT EQUIVALENT, 120 VOLT					
601100	120V	40	30 ft.	300W Equivalency	1
601101	120V	40	50 ft.	300W Equivalency	1
601102	120V	40	100 ft.	300W Equivalency	1
601103	120V	40	150 ft.	300W Equivalency	1
601104	120V	40	250 ft.	300W Equivalency	1
INTELLIBRITE 5g WHITE POOL LIGHTS – 300 WATT EQUIVALENT, 12 VOLT					
601105	12V	40	30 ft.	300W Equivalency	1
601106	12V	40	50 ft.	300W Equivalency	1
601107	12V	40	100 ft.	300W Equivalency	1
601108	12V	40	150 ft.	300W Equivalency	1
INTELLIBRITE 5g WHITE POOL LIGHTS – 400 WATT EQUIVALENT, 120 VOLT					
601200	120V	48	30 ft.	400W Equivalency	1
601201	120V	48	50 ft.	400W Equivalency	1
601202	120V	48	100 ft.	400W Equivalency	1
601203	120V	48	150 ft.	400W Equivalency	1
601204	120V	48	250 ft.	400W Equivalency	1
INTELLIBRITE 5g WHITE POOL LIGHTS – 400 WATT EQUIVALENT, 12 VOLT					
601205	12V	48	30 ft.	400W Equivalency	1
601206	12V	48	50 ft.	400W Equivalency	1
601207	12V	48	100 ft.	400W Equivalency	1
601208	12V	48	150 ft.	400W Equivalency	1
INTELLIBRITE 5g WHITE POOL LIGHTS – 500 WATT EQUIVALENT, 120 VOLT					
601300	120V	55	30 ft.	500W Equivalency	1
601301	120V	55	50 ft.	500W Equivalency	1
601302	120V	55	100 ft.	500W Equivalency	1
601303	120V	55	150 ft.	500W Equivalency	1
601304	120V	55	250 ft.	500W Equivalency	1
INTELLIBRITE 5g WHITE POOL LIGHTS – 500 WATT EQUIVALENT, 12 VOLT					
601305	12V	55	30 ft.	500W Equivalency	1
601306	12V	55	50 ft.	500W Equivalency	1
601307	12V	55	100 ft.	500W Equivalency	1
601308	12V	55	150 ft.	500W Equivalency	1

INTELLIBRITE® 5G WHITE LED LIGHTS (CONT'D)

UNDERWATER LED LIGHTS FOR SWIMMING POOLS AND SPAS

Ordering Information for Spa Lights

Product	Voltage	Wattage	Cord Length (Ft.)	Incandescent Equivalency	Carton Qty.	Carton Wt. (Lbs.)
INTELLIBRITE 5g WHITE SPA LIGHTS - 120 VOLT						
640140	120V	18W	30 ft.	100W Equivalency	1	6.5
640141	120V	18W	50 ft.	100W Equivalency	1	8
640142	120V	18W	100 ft.	100W Equivalency	1	12
640143	120V	18W	150 ft.	100W Equivalency	1	16
640144	120V	18W	250 ft.	100W Equivalency	1	25
INTELLIBRITE 5g WHITE SPA LIGHTS - 12 VOLT						
640150	12V	18W	30 ft.	100W Equivalency	1	5.5
640151	12V	18W	50 ft.	100W Equivalency	1	7
640152	12V	18W	100 ft.	100W Equivalency	1	11
640153	12V	18W	150 ft.	100W Equivalency	1	18

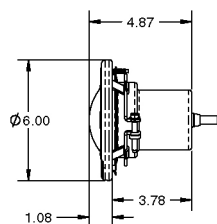
Warning: The IntelliBrite White LED light cannot be used with a dimmer circuit. Using a dimmer switch will result in permanent damage to the light.

Note: All 120 volt pool and spa lights must be connected to a branch circuit protected by a ground fault circuit interrupter (GFCI).

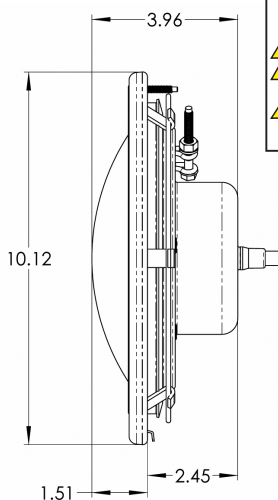
¹**Notice:** Underwriters Laboratories has listed Pentair Water Pool and Spa, Inc. lights for use with Pentair Water Pool and Spa, Pentair Pool Products, American Products, Purex, or PacFab niches ONLY. To ensure proper grounding/bonding connections install only Pentair Water Pool and Spa lights in Pentair, Water Pool and Spa, Pentair Pool Products, American Products, Purex or PacFab niches only.

Note: **IntelliBrite Pool Sized Lights** can be utilized to replace: **Sta-Rite:** SunSaver¹, SunBrite¹, SunGlow¹. **American Products:** Amerlite¹. **Purex-Triton:** SunRay¹, Pool Star¹, Hatteras¹. **PacFab:** Spectrum Amerlite¹ (SAM), AmerQuartz¹, and most lights that are 10.12" across. To ensure proper grounding of replacement lights, please see the notice directly above.

IntelliBrite Spa Sized Light can be utilized to replace: **Sta-Rite:** SunBurst¹. **American Products:** Hi-Lite¹, Aqua-Light¹, Spa Brite¹. **Purex-Triton:** SunRise¹. **PacFab:** Spectrum Aqualight¹ (SAL). To ensure proper grounding of replacement lights, please see the notice directly above.



IntelliBrite White Spa Light Dimensions



IntelliBrite White Pool Light Dimensions



Please refer to pages 133-135 for Canadian listed Pool Lights.

CALIFORNIA PROPOSITION 65 WARNING

▲ **WARNING:** Cancer and Reproductive Harm.
▲ **AVERTISSEMENT:** Peut Causer le Cancer et des Dommages au Système Reproducteur.
▲ **ADVERTENCIA:** Cáncer y Daño Reproductivo.

www.p65warnings.ca.gov. PH 2017.1.1

GLOBRITE® WHITE AND COLOR LED LIGHTS

UNDERWATER LED LIGHTS FOR SWIMMING POOLS AND SPAS

TRADEGRADE



GloBrite LED Light
Fiberglass Niche



GloBrite LED Light
Vinyl Niche



GloBrite LED Light
Concrete Niche



Featured Highlights

- The brightest and most efficient LEDs available
- Can be placed in as little as 4 in. of water even in the floor pointing up
- Does not require grounding or bonding for quick and easy installations
- 5 brilliant fixed colors and 7 pre-programmed light shows
- Compatible with IntelliTouch® or EasyTouch® Control Systems for advanced control features
- Compatible with gunite, fiberglass and vinyl pools

GloBrite LED Lights use advanced technology for energy-efficient, high quality light displays, delivered with enhanced LED brightness and superior optics, while using 18% less energy than other shallow water LED lights. GloBrite lights are compatible with IntelliTouch and EasyTouch control systems and IntelliBrite 5g LED pool lights. GloBrite LED lighting is a brilliant way to showcase and enhance pool features like baja shelves, steps, beach entries and shallow water features.

Note: Only GloBrite white lights have two dimming levels. GloBrite color lights cannot be dimmed.

CALIFORNIA PROPOSITION 65 WARNING

⚠️ **WARNING:** Cancer and Reproductive Harm.
 ⚠️ **AVERTISSEMENT:** Peut Causer le Cancer et des Dommages au Système Reproducteur.
 ⚠️ **ADVERTENCIA:** Cáncer y Daño Reproductivo.
www.p65warnings.ca.gov PH 201714

Ordering Information

Product	Voltage	Wattage	Cord Length (Ft.)	Carton Qty.	Carton Wt. (Lbs.)
GLOBRITE COLOR LED LIGHTS					
602053	12	15W	30	1	5
602054	12	15W	50	1	6
602055	12	15W	100	1	9
602056	12	15W	150	1	12

Product	Voltage	Wattage	Cord Length (Ft.)	Carton Qty.	Carton Wt. (Lbs.)
GLOBRITE WHITE LED LIGHTS					
602102	12	15W	30	1	5
602103	12	15W	50	1	6
602104	12	15W	100	1	9
602105	12	15W	150	1	12

Product	Description	Carton Qty.	Carton Wt. (Lbs.)
GLOBRITE NICHES			
620040	Gunite Niche for GloBrite (includes white, blue, black, gray and tan rings)	1	1.3
620039	Vinyl Niche for GloBrite (includes white, blue, and gray rings)	1	1.3
620041	Fiberglass Niche for GloBrite (white)	1	1.3
620093	Fiberglass Niche for GloBrite (blue)	1	1.3
620094	Fiberglass Niche for GloBrite (gray)	1	1.3
GLOBRITE COLOR KITS, INCLUDING NICHE & TRANSFORMER			
619993	1 GloBrite Color 100 ft. with 300W Transformer + Gunite Niche	1	25
619994	2 GloBrite Color 100 ft. with 300W Transformer + 2 Gunite Niches	1	40
620051	1 GloBrite Color 100 ft. with 300W Transformer + Fiberglass Niche	1	25
620052	2 GloBrite Color 100 ft. with 300W Transformer + 2 Fiberglass Niches	1	40
620080	1 GloBrite Color 100 ft. with 300W Transformer + Vinyl Niche	1	25
620081	2 GloBrite Color 100 ft. with 300W Transformer + 2 Vinyl Niches	1	40

GLOBRITE® WHITE AND COLOR LED LIGHTS (CONT'D)

UNDERWATER LED LIGHTS FOR SWIMMING POOLS AND SPAS

Ordering Information

Product	Description	Carton Qty.	Carton Wt. (Lbs.)
GLOBRITE WHITE KITS, INCLUDING NICHE & TRANSFORMER			
602106	2 GloBrite White 100 ft. with 300W Transformer + 2 Gunite Niches	1	40
602107	2 GloBrite White 100 ft. with 300W Transformer + 2 Fiberglass Niches	1	40
602108	2 GloBrite White 100 ft. with 300W Transformer + 2 Vinyl Niches	1	40
TRANSFORMERS (LANDSCAPE AND POOL RATED)			
619962	120V Input, 12-14V Output 100W	1	12
619963	120V Input, 12-14V Output 300W	1	12
ACCESSORIES			
620314	GloBrite LED Light Glare Shield		
602136	Replacement Face Ring Kit for GloBrite Vinyl Liner Niche, Blue*		
602137	Replacement Face Ring Kit for GloBrite Vinyl Liner Niche, Gray*		
602138	Replacement Face Ring Kit for GloBrite Vinyl Liner Niche, White*		

* Includes three (3) faceplates in specified color, three (3) gaskets, twelve (12) screws. Each kit can fully equip three (3) GloBrite lights with new faceplates, gaskets and screws.

All Pentair UL Listed underwater lights are certified for use in fresh water with up to 6,000 ppm salinity.

Dimensions and Certifications



CALIFORNIA PROPOSITION 65 WARNING	
▲	WARNING: Cancer and Reproductive Harm.
▲	AVERTISSEMENT: Peut Causer le Cancer et des Dommages au Système Reproducteur.
▲	ADVERTENCIA: Cáncer y Daño Reproductivo.
www.p65warnings.ca.gov. PH 201734	

See page 479 for replacement parts.

INTELLIBRITE® COLOR LANDSCAPE LIGHTS

COLOR LED LIGHTS FOR LANDSCAPES

TRADEGRADE



IntelliBrite Landscape Lights



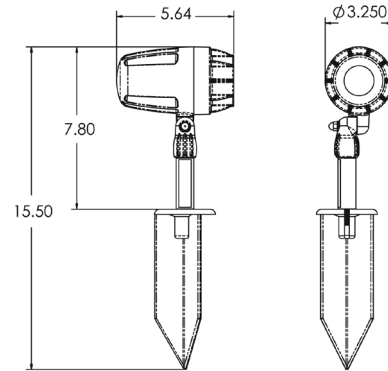
IntelliBrite Landscape Lights, with 5 fixed colors and 7 shows, are compatible with IntelliBrite Pool and Spa Lights, and can be controlled by IntelliTouch, EasyTouch and IntelliBrite Controllers. These lights can be mounted in any position on the wall or ground with an arm swing of 0° to 90°.

CALIFORNIA PROPOSITION 65 WARNING
 ⚠️ **WARNING:** Cancer and Reproductive Harm.
 ⚠️ **AVERTISSEMENT:** Peut Causer le Cancer et des Dommages au Système Reproducteur.
 ⚠️ **ADVERTENCIA:** Cáncer y Daño Reproductivo.
www.p65warnings.ca.gov PN 2017141

Featured Highlights

- Ability to Synchronize with IntelliBrite Color Pool and Spa Lights
- Can be controlled by IntelliTouch® and EasyTouch® Systems
- Utilizes Energy Efficient LED technology
- 2 levels of Brightness and color saturation
- 2 suites of colors ("Landscape and IntelliBrite")
- 40° beam width

Dimensions and Certifications



Ordering Information

Product	Voltage	Wattage	Carton Qty.	Carton Wt. (Lbs.)
INTELLIBRITE LANDSCAPE LIGHTS				
690019	12V	15	1	2.5
POOL AND LANDSCAPE RATED LIGHT TRANSFORMERS				
619962	12V-14V	100	1	10
619963	12V-14V	300	1	17

See page 479 for replacement parts.

INTELLIBRITE® CONTROLLER

TRADEGRADE

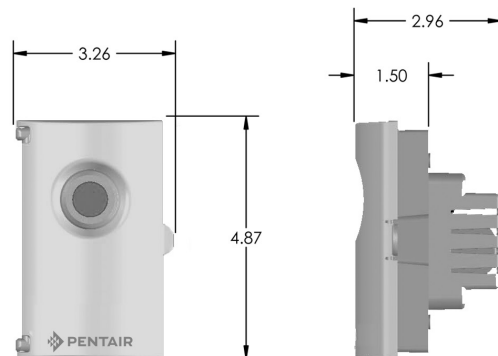
IntelliBrite Controller works with IntelliBrite Color Pool and Spa LED lights, IntelliBrite Landscape Lights, GloBrite® Lights and ColorCascade® and ColorVision® Bubblers. It can control and synchronize both sets of lights to create dazzling shows.



Featured Highlights

- Waterproof Outdoor LED Color Light Controller
- 300W Max Capacity
- Quick access to all colors and shows
- Convenient hold and recall function
- Fits in 22.5 cu. in. single gang box or larger
- Illuminated power button

Dimensions and Certifications



Ordering Information

Product	Description	Carton Qty.	Carton Wt. (Lbs.)
INTELLIBRITE POOL LIGHTS			
600054	IntelliBrite Controller	1	1



CALIFORNIA PROPOSITION 65 WARNING
 ⚠️ **WARNING:** Cancer and Reproductive Harm.
 ⚠️ **AVERTISSEMENT:** Peut Causer le Cancer et des Dommages au Système Reproducteur.
 ⚠️ **ADVERTENCIA:** Cáncer y Daño Reproductivo.
www.p65warnings.ca.gov PN 2017141

See page 479 for replacement parts.

AMERLITE®

UNDERWATER INCANDESCENT LIGHTS WITH S/S FACE RINGS

TRADEGRADE

Featured Highlights

- World standard of reliability
- Stainless steel face ring with uni-tension clamp
- Superior light diffusion
- Prismatic tempered lens
- Low water cutoff
- Medium blue lenses available
- Plastic snap-on face rings available for s/s lights

Amerlite light, the world standard of reliability for underwater lights, features a stainless steel shell, 8-3/8 in. prismatic tempered glass lens, and stainless steel face ring with uni-tension clamp. Amerlite lights are UL listed to install in full-sized Pentair Pool Products, American, PacFab and Purex niches.



Amerlite Incandescent Light

CALIFORNIA PROPOSITION 65 WARNING

⚠️ **WARNING:** Cancer and Reproductive Harm.
 ⚠️ **AVERTISSEMENT:** Peut Causer le Cancer et des Dommages au Système Reproducteur.
 ⚠️ **ADVERTENCIA:** Cáncer y Daño Reproductivo.
www.p65warnings.ca.gov

All Pentair UL Listed underwater lights are certified for use in fresh water with up to 6,000 ppm salinity.

Ordering Information

Product	Voltage	Wattage	Cord Length (Ft.)	Carton Qty.	Carton Wt. (Lbs.)
AMERLITE WITH STAINLESS STEEL FACE RING – 300 WATT, 120 VOLT					
78421100	120	300	15	1	6
78428100	120	300	50	1	10
78928500	120	300	100	1	15
78927000	120	300	150	1	20
78927900	120	300	200	1	25
AMERLITE WITH STAINLESS STEEL FACE RING – 400 WATT, 120 VOLT					
78441100	120	400	15	1	6
78448100	120	400	50	1	10
78949100	120	400	100	1	15
78447100	120	400	150	1	20
78449100	120	400	200	1	25
AMERLITE WITH STAINLESS STEEL FACE RING – 500 WATT, 120 VOLT					
78451100	120	500	15	1	6
78458100	120	500	50	1	10
78456300	120	500	100	1	15
78457100	120	500	150	1	20
78459100	120	500	200	1	25
78458300	120	500	250	1	35
AMERLITE WITH STAINLESS STEEL FACE RING – 100 WATT, 12 VOLT					
78411100	12	100	15	1	6
78418100	12	100	50	1	10
78415100	12	100	100	1	15

AMERLITE® (CONT'D)

UNDERWATER INCANDESCENT LIGHTS WITH S/S FACE RINGS

Product	Voltage	Wattage	Cord Length (Ft.)	Carton Qty.	Carton Wt. (Lbs.)
AMERLITE WITH STAINLESS STEEL FACE RING – 300 WATT, 12 VOLT					
78431100	12	300	15	1	10
78438100	12	300	50	1	17
78435100	12	300	100	1	20
STAINLESS STEEL AMERLITE WITH MEDIUM BLUE LENS – 400 WATT, 120 VOLT					
78444200	120	400	30	1	8
78448200	120	400	50	1	10
78950100	120	400	100	1	15
STAINLESS STEEL AMERLITE WITH MEDIUM BLUE LENS – 500 WATT, 120 VOLT					
78454200	120	500	30	1	8
78458200	120	500	50	1	10
78958500	120	500	100	1	15
LENS, COVERS, AND FACE RINGS FOR AMERLITE					
79100100	Clear Lens, tempered			1	1
79100200	Medium Blue Lens, tempered			1	1/2
78900100	Plastic Snap-on Color Lens Kit (Blue, Green, Red)			1	1
79110600	Stainless Steel Face Ring			1	1/2
79213100	Plastic Snap-on face ring (White), Qty. 24			24	2
79212165	Plastic Snap-on face ring (Gray) Qty. 1			1	1/2
79212111	Plastic Snap-on face ring (Black) Qty. 1			1	1/2

Please refer to pages 133-135 for Canadian listed Pool Lights.

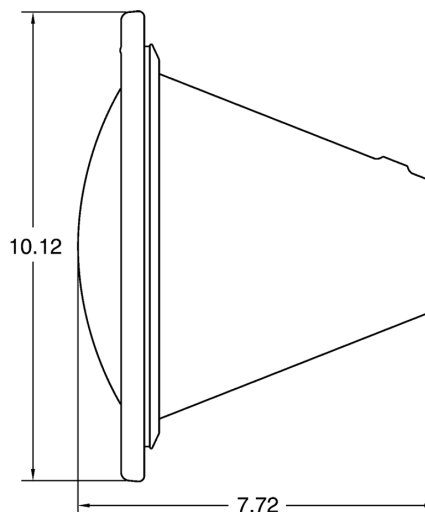
Note: All 120 volt pool and spa lights must be connected to a branch circuit protected by a ground fault circuit interrupter (GFCI).

Note: All cord lengths over 50 feet on 12 volt lights create resistance that dramatically reduces the light output. This condition exists on all low voltage lights regardless of design or manufacturer.

Notice: Underwriters Laboratories has listed Pentair Water Pool and Spa, Inc. lights for use with Pentair Water Pool and Spa, Pentair Pool Products, American Products, Purex, or PacFab niches ONLY. To ensure proper grounding/bonding connections install only Pentair Water Pool and Spa lights in Pentair, Water Pool and Spa, Pentair Pool Products, American Products, Purex or PacFab niches only.

Note: **Amerlite** Incandescent Lights can be utilized to replace: **Sta-Rite:** SunSaver, SunGlow. **Purex-Triton:** Hatteras. **PacFab:** AmerQuartz, Spectrum Amerlite (SAM). To ensure proper grounding of replacement lights, please see the notice directly above.

Dimensions and Certifications



CALIFORNIA PROPOSITION 65 WARNING

⚠️ **WARNING:** Cancer and Reproductive Harm.

⚠️ **AVERTISSEMENT:** Peut Causer le Cancer et des Dommages au Système Reproducteur.

⚠️ **ADVERTENCIA:** Cáncer y Daño Reproductivo.

www.p65warnings.ca.gov. PB 201514

See page 482 for replacement parts.

SPABRITE®

INCANDESCENT LIGHTS FOR SWIMMING POOLS AND SPAS

Featured Highlights

- Stainless steel face rings
- Prismatic tempered glass lens
- Stainless steel housing
- Easy service stainless steel clamp
- Incandescent 12V and Halogen 120V lamp
- Low water cutoff
- Easy to service
- Plastic snap-on colored face ring covers available

SpaBrite lights are available with stainless steel face rings. These lights are perfect for spas and areas where space is not available for a full-size light. SpaBrite lights install in small plastic or stainless steel Pentair niches.

CALIFORNIA PROPOSITION 65 WARNING

⚠ **WARNING:** Cancer and Reproductive Harm.
 ⚠ **AVERTISSEMENT:** Peut Causer le Cancer et des Dommages au Système Reproducteur.
 ⚠ **ADVERTENCIA:** Cáncer y Daño Reproductivo.
www.p65warnings.ca.gov PN 201714

TRADEGRADE



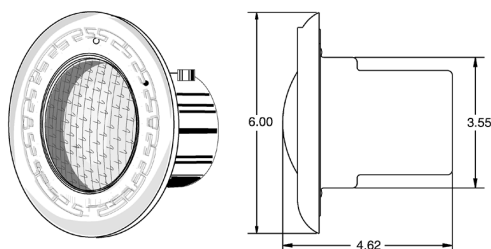
SpaBrite Incandescent Lights

Ordering Information

Product	Voltage	Wattage	Cord Length (Ft.)	Carton Qty.	Carton Wt. (Lbs.)
SPABRITE HALOGEN LIGHTS WITH STAINLESS STEEL FACE RING – 120 VOLT					
78106000	120	60W (100W equivalency)	30	1	7
78106100	120	60W (100W equivalency)	50	1	9
78106200	120	60W (100W equivalency)	100	1	14
78106300	120	60W (100W equivalency)	150	1	19
78106400	120	60W (100W equivalency)	200	1	24
SPABRITE LIGHTS WITH STAINLESS STEEL FACE RING – 12 VOLT					
78101200	12	100W	15	1	6
78108200	12	100W	50	1	9
78107500	12	100W	100	1	14
ACCESSORIES					
79212200	Snap-on face ring, plastic, white			1	1/2
79212211	Snap-on face ring plastic, black			1	1/2
79212265	Snap-on face ring, plastic, gray			1	1/2
79108900	Snap-on color lens plastic, red			1	1/2
79109000	Snap-on color lens plastic, blue			1	1/2
650019	Snap-on color lens kit (magenta, purple, teal, green)			1	2

Please refer to pages 133-135 for Canadian listed Pool Lights.

Dimensions and Certifications



All Pentair UL Listed underwater lights are certified for use in fresh water with up to 6,000 ppm salinity.

Note: All 120 volt pool and spa lights must be connected to a branch circuit protected by a ground fault circuit interrupter (GFCI).

Note: All cord lengths over 50 feet on 12 volt lights create resistance that dramatically reduces the light output. This condition exists on all low voltage lights regardless of design or manufacturer.

Notice: Underwriters Laboratories has listed Pentair Water Pool and Spa, Inc. lights for use with Pentair Water Pool and Spa, Pentair Pool Products, American Products, Purex, or PacFab niches ONLY. To ensure proper grounding/bonding connections install only Pentair Water Pool and Spa lights in Pentair, Water Pool and Spa, Pentair Pool Products, American Products, Purex or PacFab niches only.

See page 483 for replacement parts.

AQUALIGHT®

HALOGEN QUARTZ LIGHTS WITH STAINLESS STEEL FACE RING

TRADEGRADE



AquaLight Halogen Lights

The AquaLight light uses halogen quartz bulbs and designed for installation in small plastic or stainless steel Pentair niches. The light shell is high-quality stainless steel and the lens is Prismatic tempered glass.

CALIFORNIA PROPOSITION 65 WARNING
 ⚠️ **WARNING:** Cancer and Reproductive Harm.
 ⚠️ **AVERTISSEMENT:** Peut Causer le Cancer et des Dommages au Système Reproducteur.
 ⚠️ **ADVERTENCIA:** Cáncer y Daño Reproductivo.
www.p65warnings.ca.gov PA 200714

Featured Highlights

- Prismatic tempered glass lens
- Stainless steel housing
- Easy service stainless steel clamp
- Halogen-quartz lamp
- Low water cutoff
- Easy to service
- Plastic snap-on face rings and colored lenses available

Ordering Information

Product	Voltage	Wattage	Cord Length (Ft.)	Carton Qty.	Carton Wt. (Lbs.)
AQUALIGHT LIGHTS – 100 WATT, 120 VOLT					
77111100	120	100	15	1	6
77118100	120	100	50	1	9
77310100	120	100	100	1	14
AQUALIGHT LIGHTS – 250 WATT, 120 VOLT					
77161100	120	250	15	1	6
77168100	120	250	50	1	9
77360300	120	250	100	1	14
77365000	120	250	150	1	19
77362000	120	250	200	1	24
AQUALIGHT LIGHTS – 75 WATT, 12 VOLT					
77181100	12	75	15	1	6
77188100	12	75	50	1	9
77182500	12	75	100	1	12
ACCESSORIES					
79212200	Snap-on face ring, plastic, white			1	.5
79212211	Snap-on face ring plastic, black			1	.5
79212265	Snap-on face ring, plastic, gray			1	.5
79108900	Snap-on color lens plastic, red			1	.5
79109000	Snap-on color lens plastic, blue			1	.5
650019	Snap-on color lens kit (magenta, purple, teal, green)			1	2

Please refer to pages 133-135 for Canadian listed Pool Lights.

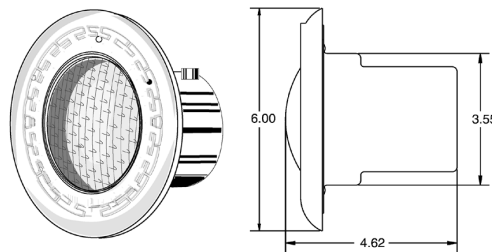
Note: All 120 volt pool and spa lights must be connected to a branch circuit protected by a ground fault circuit interrupter (GFCI).

Note: All cord lengths over 50 feet on 12 volt lights create resistance that dramatically reduces the light output. This condition exists on all low voltage lights regardless of design or manufacturer.

Notice: Underwriters Laboratories has listed Pentair Water Pool and Spa, Inc. lights for use with Pentair Water Pool and Spa, Pentair Pool Products, American Products, Purex, or PacFab niches ONLY. To ensure proper grounding/bonding connections install only Pentair Water Pool and Spa lights in Pentair, Water Pool and Spa, Pentair Pool Products, American Products, Purex or PacFab niches only.



Dimensions and Certifications



All Pentair UL Listed underwater lights are certified for use in fresh water with up to 6,000 ppm salinity

AQUALUMIN® III LIGHTS

NICHELESS LIGHT FOR SWIMMING POOLS AND SPAS

Featured Highlights

- Requires only a 3 in. hole in wall panel
- No costly make-up panels
- No extra braces
- Wall hugging fit
- Easy to service
- Easy to install

The AquaLumin III nicheless lights provide brilliant, double contact halogen quartz lighting for all vinyl liner pools and spas. This revolutionary design uses a mounting hub and bracket instead of a niche. This light eliminates the need for pre-punched light panels, costly make-up panels and extra braces for vinyl pools.

CALIFORNIA PROPOSITION 65 WARNING

⚠ **WARNING:** Cancer and Reproductive Harm.
 ⚠ **AVERTISSEMENT:** Peut Causer le Cancer et des Dommages au Système Reproducteur.
 ⚠ **ADVERTENCIA:** Cáncer y Daño Reproductivo.

www.p65warnings.ca.gov
P652014

TRADEGRADE



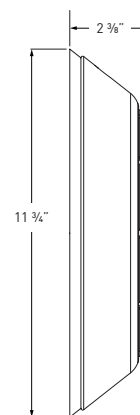
AquaLumin III Nicheless Light

Ordering Information

Product	Voltage	Wattage	Cord Length (Ft.)	Carton Qty.	Carton Wt. (Lbs.)
AQUALUMIN III LIGHTS – 250 WATT, 120 VOLT					
78864200	120	250	50	1	9
78864250	120	250	100	1	13
78864300	120	250	150	1	15
AQUALUMIN III LIGHTS – 100 WATT, 12 VOLT					
78873500	12	100	50	1	9
78873700	12	100	100	1	11
MOUNTING BRACKETS (REQUIRED FOR NEW INSTALL)					
78887700	Vinyl liner, 3/4 in. hub (Includes mounting bracket)			1	2
78887800	Vinyl liner, 1 in. hub (Includes mounting bracket)			1	2
KWIK CHANGE LENS COVERS FOR AQUALUMIN LIGHTS					
600140	AquaLumin III Lens Kit (red, green, blue)			1	1

All Pentair UL Listed underwater lights are certified for use in fresh water with up to 6,000 ppm salinity

Dimensions and Certifications



Note: All 120 volt pool and spa lights must be connected to a branch circuit protected by a ground fault circuit interrupter (GFCI).

Note: All cord lengths over 50 feet on 12 volt lights create resistance that dramatically reduces the light output. This condition exists on all low voltage lights regardless of design or manufacturer.

AQUALUMINATOR®

LIGHT AND WATER RETURN FOR ABOVEGROUND POOLS



AquaLuminator Light and Water Return

Our Hydro-Optic™ Technology creates this revolutionary light and return fitting combination. This light fits the existing water return hole pre-punched by most aboveground pool manufacturers and can be installed on new or millions of existing pools. The AQL 500, with 33% fewer lumens than the standard AquaLuminator light offers quality entry-level lighting for smaller pools.

CALIFORNIA PROPOSITION 65 WARNING
 ⚠️ **WARNING:** Cancer and Reproductive Harm.
 ⚠️ **AVERTISSEMENT:** Peut Causer le Cancer et des Dommages au Système Reproducteur.
 ⚠️ **ADVERTENCIA:** Cáncer y Daño Reproductivo.
 www.p65warnings.ca.gov. PH202114

Featured Highlights

- Light and return fitting
- 25 ft. plug-in cord
- Deluxe retail packaging
- Fits most aboveground pools
- AQL 500 for smaller pools
- Pressure cleaner adapter
- Fountain attachment available
- Hard plumbing adapter

Ordering Information

Product	Description	Carton Qty.	Carton Wt. (Lbs.)
ABOVEGROUND LIGHTS			
600030	AQL 500 aboveground light ¹	1	6
600040	Quasar 500 Non-return light ¹	1	6
98600000	AquaLuminator 2010 convertible	1	6
98605300	Quasar Non-return light	1	6
98630000	AquaLuminator 2000, no transformer	1	1
98600008	AquaLuminator, 240 volt	1	1
ACCESSORIES			
79100000	Fountain attachment, fits all AquaLuminator models	1	1
79202900	Hard plumbing adapter	1	2
79203100	Adapter to connect AquaLuminator to cleaner ¹	1	1
619539	Non-return fitting	1	1
619551	Color Lens Kit (Blue & Green)	1	2

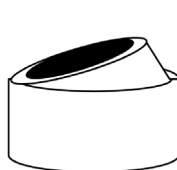
¹ AQL 500 and Quasar 500 does not support the fountain attachment or the pressure cleaner adapter.

Dimensions and Certifications

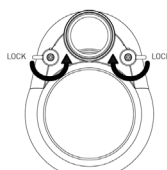
All Pentair UL Listed underwater lights are certified for use in fresh water with up to 6,000 ppm salinity



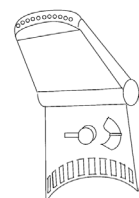
Quasar Non-return Light for Aboveground Pools



Hard Plumbing Adapter



Pressure Cleaner Adapter



Fountain Attachment

See page 481 for replacement parts.

HILITE®

PLASTIC LIGHT FOR SWIMMING POOLS AND SPAS

Featured Highlights

- UL listed for 4 in. depth below water
- All plastic housing and lens
- Easy placement, easy to install
- Perfect for lights on opposite pool ends
- High intensity halogen quartz
- Quarter-twist bulb access
- Molded clip for cord storage retention
- Fits on any vertical wall
- Soft, even light distribution
- 12 volt, 75 watt
- Simple two-wire connection

TRADEGRADE



HiLite Plastic Lights

The plastic HiLite light is the first light to be UL listed for installations in as little as 4 in. below the water surface. The shallow placement of these innovative lights on opposite pool ends will illuminate the entire swimming area, hiding plaster imperfections and eliminating hot spots in the pool.

CALIFORNIA PROPOSITION 65 WARNING
 ⚠️ **WARNING:** Cancer and Reproductive Harm.
 ⚠️ **AVERTISSEMENT:** Peut Causer le Cancer et des Dommages au Système Reproducteur.
 ⚠️ **ADVERTENCIA:** Cáncer y Daño Reproductivo.
www.p65warnings.ca.gov PA20071A

Ordering Information

Product	Voltage	Wattage	Cord Length (Ft.)	Carton Qty.	Carton Wt. (Lbs.)
HILITE – 75 WATT, 12 VOLT					
78780000	12	75	15	1	4
78780200	12	75	50	1	8
78782000	12	75	100	1	12
FACE RINGS					
79210000	Plastic face ring, white			1	3
79210065	Plastic face ring, gray			1	3
79210011	Plastic face ring, black			1	3
LENS COVERS					
79105400	Lens kit (red and blue)			12	8

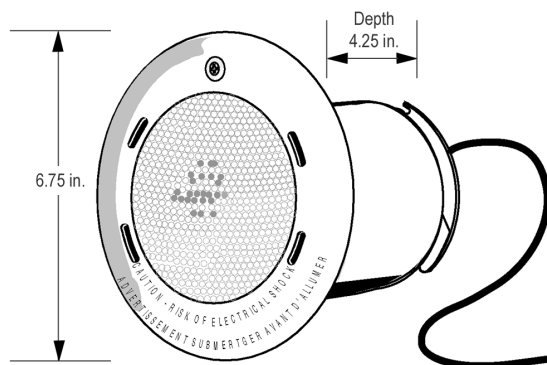
Dimensions and Certifications



Note: All cord lengths over 50 feet on 12 volt lights create resistance that dramatically reduces the light output. This condition exists on all low voltage lights regardless of design or manufacturer.

Notice: Underwriters Laboratories has listed Pentair Water Pool and Spa, Inc. lights for use with Pentair Water Pool and Spa, Pentair Pool Products, American Products, Purex, or PacFab niches ONLY. To ensure proper grounding/bonding connections install only Pentair Water Pool and Spa lights in Pentair, Water Pool and Spa, Pentair Pool Products, American Products, Purex or PacFab niches only.

All Pentair UL Listed underwater lights are certified for use in fresh water with up to 6,000 ppm salinity



See page 482 for replacement parts.

FOUNTAIN LIGHTS AND FIXTURES

FOR USE IN FOUNTAINS



Featured Highlights

Fountain Fixtures

- Sturdy cast bronze construction with attractive natural bronze finish
- Base and yoke-mount rotate 360° and pivot 180°
- Integrated bonding lug for electrical safety
- Innovative strain-relief prevents damage to wiring connections
- Niche installation option available
- Large fixture for use with the IntelliBrite® 5g Pool Light for water fountains, and Amerlite® Lights listed for fountain use
- Small fixture for use with IntelliBrite 5g Spa Light, AquaLight®, and SpaBrite® Lights listed for fountain use

Pentair Fountain Fixtures are the only fixtures that offer true color lighting capabilities, as well as traditional white lighting. When combined with Pentair's IntelliBrite 5g color lights, these systems can bathe fountains in a constantly changing spectrum of color. Both large and small fixtures are designed for easy installation and for use with Pentair lights only.

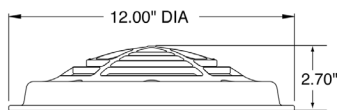
Ordering Information

Product	Description	Carton Qty.	Carton Wt. (Lbs.)
FOUNTAIN FIXTURES			
560000	Fountain fixture for large lights with rock guard ¹	1	15
560001	Fountain fixture for small lights with rock guard ¹	1	9
FOUNTAIN ROCK GUARDS			
560002	Fountain rock guard for large niches ²	1	7
560003	Fountain rock guard for small niches ²	1	4

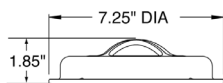
¹ Light is sold separately.

² Light and niche sold separately.

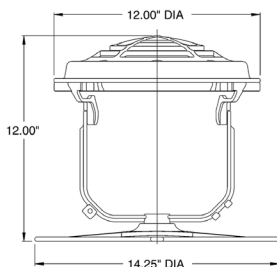
Dimensions and Certifications



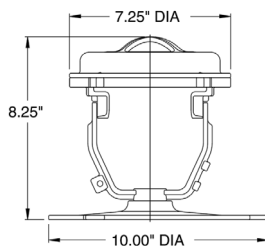
Fountain Rock Guard for Large Niches



Fountain Rock Guard for Small Niches



Fountain Fixture for Large Lights



Fountain Fixture for Small Lights



Note: Underwriters Laboratories has listed Pentair Water Pool and Spa, Inc. lights for use with Pentair Water Pool and Spa, Pentair Pool Products, American Products, Purex, or PacFab niches ONLY. To ensure proper grounding/bonding connections install only Pentair Water Pool and Spa lights in Pentair, Water Pool and Spa, Pentair Pool Products, American Products, Purex or PacFab niches only.

CALIFORNIA PROPOSITION 65 WARNING

⚠ **WARNING:** Cancer and Reproductive Harm.
 ⚠ **AVERTISSEMENT:** Peut Causer le Cancer et des Dommages au Système Reproducteur.
 ⚠ **ADVERTENCIA:** Cáncer y Daño Reproductivo.

www.p65warnings.ca.gov. PH.202114

CANADIAN POOL LIGHTS



TRADEGRADE

Ordering Information - Canadian IntelliBrite® 5g Color Pool & Spa Lights

Product	Description	Voltage	Wattage	Cord Length	Carton Qty.	Carton Wt. (Lbs.)
CANADIAN INTELLIBRITE 5g COLOR POOL LIGHTS						
602010	12V IntelliBrite Color Pool 30 ft.	12	26W	30	1	5.5
602012	12V IntelliBrite Color Pool 100 ft.	12	26W	100	1	12
602000	120V IntelliBrite Color Pool 30 ft.	120	26W	30	1	6.5
602002	120V IntelliBrite Color Pool 100 ft.	120	26W	100	1	12
602003	120V IntelliBrite Color Pool 150 ft.	120	26W	150	1	21
CANADIAN INTELLIBRITE 5g COLOR SPA LIGHTS						
640120	120V IntelliBrite Color Spa 30 ft.	120	18W	30	1	6.5
640121	120V IntelliBrite Color Spa 50 ft.	120	18W	50	1	8
640122	120V IntelliBrite Color Spa 100 ft.	120	18W	100	1	12
640123	120V IntelliBrite Color Spa 150 ft.	120	18W	150	1	16
640124	120V IntelliBrite Color Spa 250 ft.	120	18W	250	1	25
640130	12V IntelliBrite Color Spa 30 ft.	12	18W	30	1	5.5
640131	12V IntelliBrite Color Spa 50 ft.	12	18W	50	1	7
640132	12V IntelliBrite Color Spa 100 ft.	12	18W	100	1	11
640133	12V IntelliBrite Color Spa 150 ft.	12	18W	150	1	18

Ordering Information - Canadian IntelliBrite 5g White Pool Lights

Product	Voltage	Wattage	Incandescent Equivalency	Cord Length (Ft.)	Carton Qty.	Carton Wt. (Lbs.)
CANADIAN INTELLIBRITE 5g WHITE POOL LIGHTS – 300 WATT EQUIVALENT, 120 VOLT						
601100	120V	40	300W Equivalency	30 ft.	1	6.5
601101	120V	40	300W Equivalency	50 ft.	1	8
601102	120V	40	300W Equivalency	100 ft.	1	12
601103	120V	40	300W Equivalency	150 ft.	1	16
601104	120V	40	300W Equivalency	250 ft.	1	25
CANADIAN INTELLIBRITE 5g WHITE POOL LIGHTS – 300 WATT EQUIVALENT, 12 VOLT						
601105	12V	40	300W Equivalency	30 ft.	1	5.5
601106	12V	40	300W Equivalency	50 ft.	1	7
601107	12V	40	300W Equivalency	100 ft.	1	11
601108	12V	40	300W Equivalency	150 ft.	1	18
CANADIAN INTELLIBRITE 5g WHITE POOL LIGHTS – 400 WATT EQUIVALENT, 120 VOLT						
601200	120V	48	400W Equivalency	30 ft.	1	6.5
601201	120V	48	400W Equivalency	50 ft.	1	8
601202	120V	48	400W Equivalency	100 ft.	1	12
601203	120V	48	400W Equivalency	150 ft.	1	16
601204	120V	48	400W Equivalency	250 ft.	1	25
CANADIAN INTELLIBRITE 5g WHITE POOL LIGHTS – 400 WATT EQUIVALENT, 12 VOLT						
601205	12V	48	400W Equivalency	30 ft.	1	5.5
601206	12V	48	400W Equivalency	50 ft.	1	7
601207	12V	48	400W Equivalency	100 ft.	1	11
601208	12V	48	400W Equivalency	150 ft.	1	18

Dimensions and Certifications



CALIFORNIA PROPOSITION 65 WARNING

⚠️ **WARNING:** Cancer and Reproductive Harm.
 ⚠️ **AVERTISSEMENT:** Peut Causer le Cancer et des Dommages au Système Reproducteur.
 ⚠️ **ADVERTENCIA:** Cáncer y Daño Reproductivo.

www.p65warnings.ca.gov
P/N20171A

Note: All 120 volt pool and spa lights must be connected to a branch circuit protected by a ground fault circuit interrupter (GFCI).

Notice: Underwriters Laboratories has listed Pentair Water Pool and Spa, Inc. lights for use with Pentair Water Pool and Spa, Pentair Pool Products, American Products, Purex, or PacFab niches ONLY. To ensure proper grounding/bonding connections install only Pentair Water Pool and Spa lights in Pentair, Water Pool and Spa, Pentair Pool Products, American Products, Purex or PacFab niches only.

CANADIAN POOL LIGHTS (CONT'D)

TRADEGRADE



Ordering Information - Canadian IntelliBrite® 5g White Pool Lights Cont'd.

Product	Voltage	Wattage	Incandescent Equivalency	Cord Length (Ft.)	Carton Qty.	Carton Wt. (Lbs.)
CANADIAN INTELLIBRITE 5g WHITE POOL LIGHTS – 500 WATT EQUIVALENT, 120 VOLT						
601300	120V	55	500W Equivalency	30 ft.	1	6.5
601301	120V	55	500W Equivalency	50 ft.	1	8
601302	120V	55	500W Equivalency	100 ft.	1	12
601303	120V	55	500W Equivalency	150 ft.	1	16
601304	120V	55	500W Equivalency	250 ft.	1	25
CANADIAN INTELLIBRITE 5g WHITE POOL LIGHTS – 500 WATT EQUIVALENT, 12 VOLT						
601305	12V	55	500W Equivalency	30 ft.	1	5.5
601306	12V	55	500W Equivalency	50 ft.	1	7
601307	12V	55	500W Equivalency	100 ft.	1	11
601308	12V	55	500W Equivalency	150 ft.	1	18

Ordering Information - Canadian IntelliBrite 5g White Spa Lights

Product	Voltage	Wattage	Incandescent Equivalency	Cord Length (Ft.)	Carton Qty.	Carton Wt. (Lbs.)
INTELLIBRITE 5g WHITE SPA LIGHTS - 120 VOLT						
640140	120V	18	100W Equivalency	30 ft.	1	6.5
640141	120V	18	100W Equivalency	50 ft.	1	8
640142	120V	18	100W Equivalency	100 ft.	1	12
640143	120V	18	100W Equivalency	150 ft.	1	16
640144	120V	18	100W Equivalency	250 ft.	1	25
INTELLIBRITE 5g WHITE SPA LIGHTS - 12 VOLT						
640150	12V	18	100W Equivalency	30 ft.	1	5.5
640151	12V	18	100W Equivalency	50 ft.	1	7
640152	12V	18	100W Equivalency	100 ft.	1	11
640153	12V	18	100W Equivalency	150 ft.	1	18

CALIFORNIA PROPOSITION 65 WARNING

⚠️ **WARNING:** Cancer and Reproductive Harm.
 ⚠️ **AVERTISSEMENT:** Peut Causer le Cancer et des Dommages au Système Reproducteur.
 ⚠️ **ADVERTENCIA:** Cáncer y Daño Reproductivo.
www.p65warnings.ca.gov

Dimensions and Certifications



Note: All 120 volt pool and spa lights must be connected to a branch circuit protected by a ground fault circuit interrupter (GFCI).

Notice: Underwriters Laboratories has listed Pentair Water Pool and Spa, Inc. lights for use with Pentair Water Pool and Spa, Pentair Pool Products, American Products, Purex, or PacFab niches ONLY. To ensure proper grounding/bonding connections install only Pentair Water Pool and Spa lights in Pentair, Water Pool and Spa, Pentair Pool Products, American Products, Purex or PacFab niches only.

CANADIAN POOL LIGHTS (CONT'D)

TRADEGRADE

Ordering Information - Canadian Lights - Other

Product	Description	Voltage	Wattage	Cord Length	Carton Qty.	Carton Wt. (Lbs.)
AMERLITE® WITH STAINLESS STEEL FACE RING (Page 126-127)						
78453102	Amerlite Light	120	500	30	4	11
SPABRITE® WITH STAINLESS STEEL FACE RING (Page 128)						
78106002	SpaBrite Light	120	60W (100W Equiv.)	30	12	9
78103202	SpaBrite Light	12	100W Equivalency	30	12	9
AQUALIGHT® (Page 129)						
77113102	AquaLight	120	100	30	12	9
77163102	AquaLight	120	250	30	12	9
AQUALUMINATOR® (Page 131)						
600042	Quasar 500 CSA				8	6
98610002	AquaLuminator 2000				8	6
98610042	AquaLuminator 2000 w/ Fountain - CSA				8	6
LARGE STAINLESS STEEL NICHE FOR CONCRETE INSTALLATION (Page 137)						
78210701	3/4 in. rear hub				1	0.25
LARGE STAINLESS STEEL NICHE FOR VINYL AND FIBERGLASS INSTALLATION (Page 137)						
78232401	3/4 in. rear hub				12	3
SMALL STAINLESS STEEL NICHE FOR CONCRETE INSTALLATION (Page 138)						
78244202	3/4 in. rear hub				12	3
SMALL STAINLESS STEEL NICHE FOR MANUFACTURED POOLS, SPAS & TUBS (Page 138)						
78241202	3/4 in. top hub				12	2
78242202	3/4 in. rear hub				12	2
NICHE CONCRETE SHIELD						
45361500	Niche shield for SpaBrite/AquaLight Niche				1	0.25
45361000	Niche shield, concrete/plaster for AmerLite				1	0.25
ACCESSORIES						
619962	100W Transformer 12V-14V				1	10
619963	300W Transformer 12V-14V				1	11

CSA listed HiLite® can be found on page 131.

Dimensions and Certifications



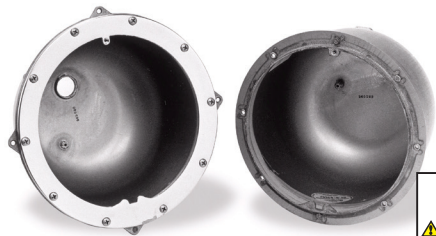
CALIFORNIA PROPOSITION 65 WARNING
 ⚠️ WARNING: Cancer and Reproductive Harm.
 ⚠️ AVERTISSEMENT: Peut Causer le Cancer et des Dommages au Système Reproducteur.
 ⚠️ ADVERTENCIA: Cáncer y Daño Reproductivo.
www.p65warnings.ca.gov PH 201714

Note: All 120 volt pool and spa lights must be connected to a branch circuit protected by a ground fault circuit interrupter (GFCI).

Notice: Underwriters Laboratories has listed Pentair Water Pool and Spa, Inc. lights for use with Pentair Water Pool and Spa, Pentair Pool Products, American Products, Purex, or PacFab niches ONLY. To ensure proper grounding/bonding connections install only Pentair Water Pool and Spa lights in Pentair, Water Pool and Spa, Pentair Pool Products, American Products, Purex or PacFab niches only.

PENTAIR LARGE STAINLESS STEEL NICHES

NICHES FOR SWIMMING POOLS AND SPAS



Pentair Large Niches

Large stainless steel niches are formed with brass fittings. All niches have internal and external grounding lugs for use with either metal or PVC conduit.

CALIFORNIA PROPOSITION 65 WARNING
 ⚠️ **WARNING:** Cancer and Reproductive Harm.
 ⚠️ **AVERTISSEMENT:** Peut Causer le Cancer et des Dommages au Système Reproducteur.
 ⚠️ **ADVERTENCIA:** Cáncer y Daño Reproductivo.
 www.p65warnings.ca.gov. PR2017-1.4

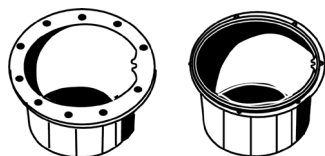
Featured Highlights

- Niches for all installations
- Stainless steel housing
- Brass hub: 1/2, 3/4, or 1 in.
- Internal/external bonding lugs
- Vinyl niches with chrome/brass sealing rings
- Sandwich gasket for vinyl
- Powder coated sealing ring (optional)

Ordering Information

Product	Description	Carton Qty.	Carton Wt. (Lbs.)
LARGE STAINLESS STEEL NICHES FOR CONCRETE INSTALLATION			
78210200	1/2 in. top hub	1	3
78210300	1/2 in. rear hub	1	3
78210400	3/4 in. top hub	1	3
78210700	3/4 in. rear hub	1	3
78210500	1 in. top hub	1	3
78210600	1 in. rear hub	1	3
VINYL AND FIBERGLASS INSTALLATION, STANDARD 10 HOLE PATTERN			
78232400	Fiberglass/liner, 3/4 in. rear hub	1	5
78232500	Fiberglass/liner, 1 in. rear hub	1	5
LARGE STAINLESS STEEL NICHE, CONCRETE SHIELD			
45361000	Niche Shield for construction	1	0.325
79211600Z	Replacement/Repair Niche plaster ring	1	5
POWDER COATED SEALING RINGS, VINYL/FIBERGLASS			
79200255	Sealing ring, large niche (white)	1	0.01
SEALANT FOR NICHE BONDING LUGS			
60028300	Listed potting compound	1	0.0375

Dimensions and Certifications

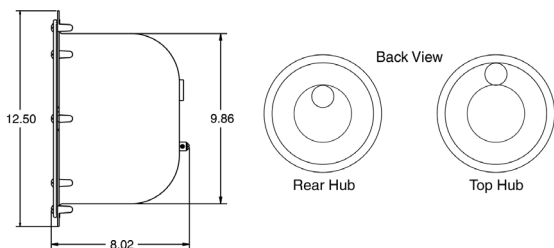


Standard 10 Hole Pattern

Gunite Hole Pattern



Please refer to page 133-135 for Canadian listed Lights.



Notice: Underwriters Laboratories has listed Pentair Water Pool and Spa, Inc. lights for use with Pentair Water Pool and Spa, Pentair Pool Products, American Products, Purex, or PacFab niches ONLY. To ensure proper grounding/bonding connections install only Pentair Water Pool and Spa lights in Pentair, Water Pool and Spa, Pentair Pool Products, American Products, Purex or PacFab niches only.

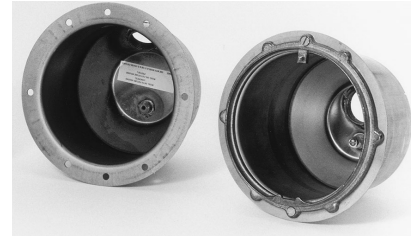
See page 486 for replacement parts.

PENTAIR SMALL STAINLESS STEEL NICHEs

NICHEs FOR SWIMMING POOLs AND SPAS

Featured Highlights

- Stainless steel housing
- Brass hub: 1/2, 3/4, 1 in.
- Internal/external bonding lugs
- Vinyl niches with chrome/brass sealing rings
- Niches for all installations
- Sandwich gasket for vinyl



Pentair Small Niches

Small stainless steel niches are formed with brass fittings. All niches have internal and external bonding lugs and can be used with either metal or PVC conduit.

CALIFORNIA PROPOSITION 65 WARNING

⚠ **WARNING:** Cancer and Reproductive Harm.
 ⚠ **AVERTISSEMENT:** Peut Causer le Cancer et des Dommages au Système Reproducteur.
 ⚠ **ADVERTENCIA:** Cáncer y Daño Reproductivo.
www.p65warnings.ca.gov

Ordering Information

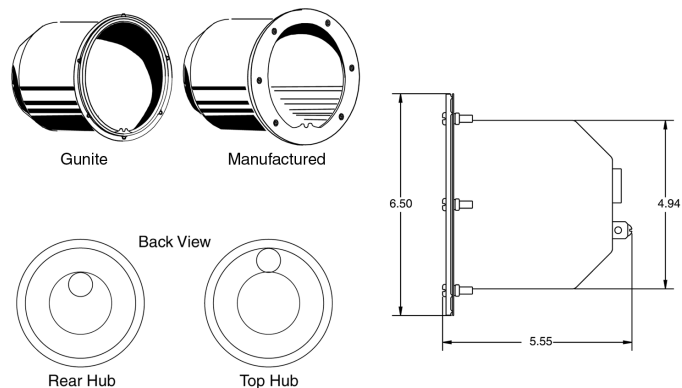
Product	Description	Carton Qty.	Carton Wt. (Lbs.)
SMALL STAINLESS STEEL NICHEs FOR CONCRETE INSTALLATION			
78244100	Concrete pools or spas, 1/2 in. rear hub	1	2
78244200	Concrete pools or spas, 3/4 in. rear hub	1	2
78244300	Concrete pools or spas, 1 in. rear hub	1	2
78243100	Concrete pools or spas, 1/2 in. top hub	1	2
78243200	Concrete pools or spas, 3/4 in. top hub	1	2
78243300	Concrete pools or spas, 1 in. top hub	1	2
MANUFACTURED POOLs, SPAS & TUBs INSTALLATION			
78242200	Manufactured pools, spas & tubs, 3/4 in. rear hub	1	3
78242300	Manufactured pools, spas & tubs, 1 in. rear hub	1	3
SMALL STAINLESS STEEL NICHE SHIELD			
45361500	Niche shield for SpaBrite/AquaLight Niche	1	0.25
VINYL/FIBERGLASS NICHE SEALING RING, POWDER-COATED			
79206055	Sealing ring, small niche	1	0.01
SEALANT FOR NICHE BONDING LUGs			
60028300	Listed potting compound	1	0.325

Dimensions and Certifications



Please refer to page 133-135 for Canadian listed Lights

Notice: Underwriters Laboratories has listed Pentair Water Pool and Spa, Inc. lights for use with Pentair Water Pool and Spa, Pentair Pool Products, American Products, Purex, or PacFab niches ONLY. To ensure proper grounding/bonding connections install only Pentair Water Pool and Spa lights in Pentair, Water Pool and Spa, Pentair Pool Products, American Products, Purex or PacFab niches only.



See page 487 for replacement parts.

PLASTIC NICHES

PLASTIC NICHES FOR SWIMMING POOLS AND SPAS



Gunite Plastic Niches - These plastic concrete niches are molded of high strength, corrosion resistant PVC with a one inch PVC hub. Both 45O and 3/4 in. reducer bushings are included. Gunite models feature rebar tie-backs and a plaster ring for clean, simple installations and all are packed with a gunite/plaster shield.



QuickNiche™ Vinyl Liner Niche - One look at the QuickNiche is all it takes to see that this is a product that really lives up to its name. It is an easy-to-install, super-sealing light niche for vinyl liner pools. It features a revolutionary lock-ring design that mounts and seals like a vinyl inlet fitting fast, secure, and totally leak proof.

Featured Highlights

Gunite Plastic Niches:

- Innovative cord seal grommet (Accessory sold separately)
- Large and small models
- Rebar tie-backs
- Plaster ring for secure sealing
- Internal/external bonding lugs
- High strength PVC construction
- Rear one inch PVC hub
- Includes 45° and 3/4 in. reducer bushings
- Includes gunite/plaster shield

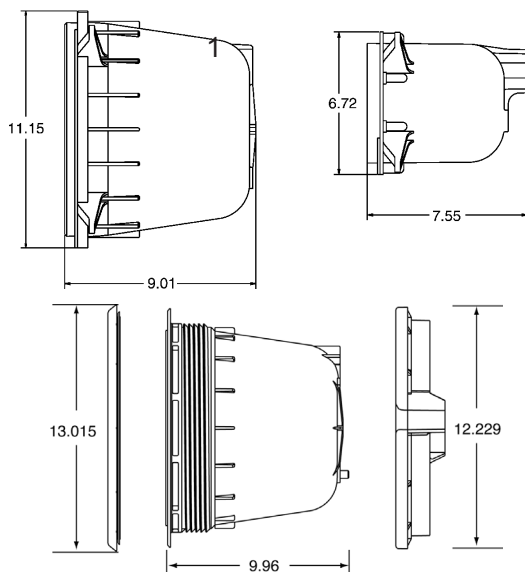
QuickNiche:

- Revolutionary design mounts and seals like a vinyl inlet fitting
- No screws directly through the pool wall as with conventional vinyl niches
- Designed for quick and easy, one-person installation
- Rubber gasket overmolded on seal ring for superior sealing
- Built-in current-collecting ring for maximum safety
- Zero wall panel exposure
- Fits standard niche panel
- UL listed

Ordering Information

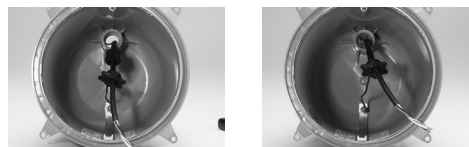
Product	Description	Carton Qty.	Carton Wt. (Lbs.)
PLASTIC NICHE - CONCRETE			
79206600	Small PVC niche, concrete	1	2
79206700	Large PVC niche, concrete	1	3
PLASTIC NICHE - VINYL			
620004	QuickNiche ¹	1	1
630043	QuickNiche blue seal ring	1	1
630044	QuickNiche gray seal ring	1	1
ACCESSORIES			
670044	Cord Seal Grommet Kit	3	1
60028300	Listed potting compound	1	0.325

¹ Cord seal grommet not available for Quick Niche.



CALIFORNIA PROPOSITION 65 WARNING
 ⚠️ **WARNING:** Cancer and Reproductive Harm.
 ⚠️ **AVERTISSEMENT:** Peut Causer le Cancer et des Dommages au Système Reproducteur.
 ⚠️ **ADVERTENCIA:** Cáncer y Daño Reproductivo.
www.p65warnings.ca.gov PH 201714A

Dimensions and Certifications



Innovative cord seal grommet accessory (p/n 670044)

Notice: Underwriters Laboratories has listed Pentair Water Pool and Spa, Inc. lights for use with Pentair Water Pool and Spa, Pentair Pool Products, American Products, Purex, or PacFab niches ONLY. To ensure proper grounding/bonding connections install only Pentair Water Pool and Spa lights in Pentair, Water Pool and Spa, Pentair Pool Products, American Products, Purex or PacFab niches only.

¹ Plastic niches are only listed for use with 12V lights in Canada.

See page 487 and 489 for replacement parts.

LIGHT ACCESSORIES AND JUNCTION BOXES

ADD-ON FEATURES AND ACCESSORIES FOR ALL PENTAIR LIGHTS

Featured Highlights

Kwik-Change Lens Covers

- Powder coated vinyl niche sealing ring
- Snap-on plastic face rings available for s/s lights

Junction Boxes

- Available in 3 sizes: 1/2, 3/4 & 1 in.
- Polycarbonate cover with brass base
- Built-in strain relief
- UL listed

Our optional light and niche features are designed to enhance our standard products and accommodate your specific project requirements.



Add-on Light Features and Accessories

CALIFORNIA PROPOSITION 65 WARNING

⚠ **WARNING:** Cancer and Reproductive Harm.

⚠ **AVERTISSEMENT:** Peut Causer le Cancer et des Dommages au Système Reproducteur.

⚠ **ADVERTENCIA:** Cáncer y Daño Reproductivo.

www.p65warnings.ca.gov. PB 202514

Product	Description	Carton Qty.	Carton Wt. (Lbs.)
KWIK-CHANGE LENS COVERS			
650015	SpaBrite/AquaLight lens, magenta	1	0.5
650016	SpaBrite/AquaLight lens, purple	1	0.5
650017	SpaBrite/AquaLight lens, teal	1	0.5
650018	SpaBrite/AquaLight lens, green	1	0.5
78900800	Amerlite/AmerQuartz lens, blue	1	0.5
78900900	Amerlite/AmerQuartz lens, red	1	0.5
650019	SpaBrite/AquaLight lens, 6 assorted colors	1	0.5
78883700	AquaLumin (3 assorted colors)	1	0.8
600140	AquaLumin 3 Lens Cover Kit	1	0.5
78883701	AquaLumin lens, blue	1	0.5
78883702	AquaLumin lens, red	1	0.5
78883703	AquaLumin lens, green	1	0.5
78900100	Amerlite/AmerQuartz lens (3 colors - red, green, blue)	1	1
78900700	Amerlite/AmerQuartz lens, green	1	0.5

Product	Description	Carton Qty.	Carton Wt. (Lbs.)
SNAP-ON PLASTIC FACE RINGS FOR AMERLITE			
79212111	Black	1	0.01
79212165	Gray	1	0.01
79213111	Black	24	0.01
79213100	White	24	0.01
SNAP-ON PLASTIC FACE RINGS FOR SPABRITE/AQUALIGHT			
79212200	White	1	0.01
79212211	Black	1	0.06
79212265	Gray	1	0.06
VINYL NICHE SEALING RING, WHITE POWDER-COATED			
79200255	Sealing ring, large niche	1	0.01
79206055	Sealing ring, small niche	1	0.01
JUNCTION BOX BRASS BASE W/ POLYCARBONATE COVER ¹			
78310500	(3) - 1/2 in. ports	1	1
78310600	(3) - 3/4 in. ports	1	1
78310700	3/4 in. x 1 in. x 3/4 in. ports	1	1

¹ UL Listed.

Ordering Information

Dimensions and Certifications





MAINTENANCE & SAFETY EQUIPMENT



BRUSHES AND SCRUBBERS

POOL, SPA, DECK AND TILE BRUSHES

Featured Highlights

Curved Brushes

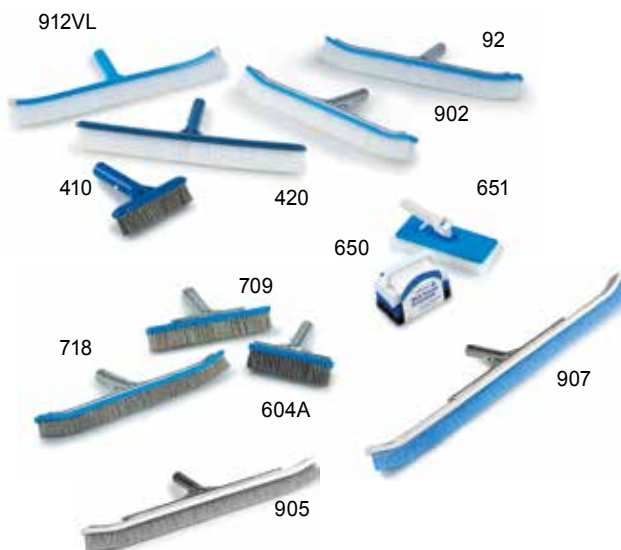
- UV stabilized polypropylene or nylon bristles.
- Snap-adapt handle fits most poles
- Aluminum Back Brushes with strong die cast aluminum back
- Molded Brushes with heavy-duty one piece molded construction
- Model 907 has a 50/50 blend of stainless and nylon bristles. Recommended for new pool start-up brushing or mild algae cleaning.

Stainless Steel Algae Brushes

- All algae brushes feature quality stainless steel bristles
- Perfect for removing tough algae on plaster surfaces
- Snap-adapt handle fits most poles

Scrubbers

- 650 Scrubber has a molded hand grip and includes 3 interchangeable pads
- 651 Universal Scrubber features an ABS back with a swivel joint handle and a light duty replaceable pad



Pool, Spa, Deck and Tile Brushes

CALIFORNIA PROPOSITION 65 WARNING
 ⚠️ **WARNING:** Cancer and Reproductive Harm.
 ⚠️ **AVERTISSEMENT:** Peut Causer le Cancer et des Dommages au Système Reproducteur.
 ⚠️ **ADVERTENCIA:** Cáncer y Daño Reproductivo.
www.p65warnings.ca.gov P# 30574

Ordering Information

Product	Model	Description	Carton Qty.	Carton Wt. (Lbs.)
CURVED BRUSHES				
R111046	92	18 in. Aluminum Back White nylon	12	13
R111316	902	18 in. Aluminum Back White polypropylene	12	12
R111358	907 ¹	18 in. Aluminum Back Blended, stainless & nylon	12	13
R111342	905	24 in. Aluminum Back Blue nylon	12	19
R111366	912	18 in. Molded Back White polypropylene	12	10
R111386	912VL	18 in. Molded Back White nylon, end caps for vinyl liner pools	12	10
R500013	420	18 in. Molded Back White polypropylene	12	9
ALGAE BRUSH – (NOT FOR VINYL LINER POOLS)				
R500012	410	6 in. Molded Back, Stainless Steel for Plaster, Concrete, Gunite	12	7
R111616	604A	6 in. Aluminum Back, Stainless Steel for plaster, Concrete, Gunite	12	6
R111626	709	9 in., Aluminum Back Stainless Steel for plaster, Concrete, Gunite	12	9
R111646	718	18 in., Aluminum Back Stainless Steel for plaster, Concrete, Gunite	12	15
ACID-WASH/TILE/DECK BRUSHES				
R111584		10 in. Blue & white crimped bristles	25	21
SCRUBBERS				
R111556	650	Multi-purpose scrub brush w/ 3 pads	12	6
R111560	651	Universal swivel handle, 4-5/8 in. x 10 in. w/ removable pad	12	6

¹ Not for use on vinyl liner pools.

Note: All items with snap-adapt handle include a high performance Acetal Resin Spring and will snap into all standard poles or can be bolted on, if preferred, simply by removing the Acetal Resin Spring.

FLOATS, FLOAT ROPE, AND SAFETY HOOK



Float Keepers

CALIFORNIA PROPOSITION 65 WARNING
 ⚠️ **WARNING:** Cancer and Reproductive Harm.
 ⚠️ **AVERTISSEMENT:** Peut Causer le Cancer et des Dommages au Système Reproducteur.
 ⚠️ **ADVERTENCIA:** Cáncer y Daño Reproductivo.
www.p65warnings.ca.gov 09/2017A

Featured Highlights

Floats & Safety Equipment

- Unsinkable, durable, polyethylene floats are available in a variety of sizes

Safety Float Lines

- Include 3/8 in. poly rope, 3 in. x 5 in. floats, solid chrome brass rope hook, 1 fid and locking device

Floats, Float Rope, and Safety Hook

Ordering Information

Product	Model	Description	Carton Qty.	Carton Wt. (Lbs.)
SAFETY POOL HOOK				
R221026	153	Fits any standard straight pole (do not attach to telescopic poles), nut. Mounting Hardware set not included. See item R221030	12	14
R221030	153	Hardware set for Pool Hook	Bulk	
SWIM TEACHER				
R221056	58	Two 7 in. x 7 in. poly floats with 30 in. white PVC bar, packed in bag with header	6	10
FLOATS				
R181026	350	Red and white, 3 in. x 5 in. Oval Float, Fits 1/2 in. Rope	100	12
R181016	350	Blue and white, 3 in. x 5 in. Oval Float, Fits 1/2 in. Rope	100	12
R181046	350	Solid white, 3 in. x 5 in. Oval Float, Fits 1/2 in. Rope	100	12
R181086	590	Blue and white, 5 in. x 9 in. Oval Float, Fits 3/4 in. Rope	24	11
R181096	590	Red and white, 5 in. x 9 in. Oval Float, Fits 3/4 in. Rope	24	11
R181156	770	Solid white, 7 in. x 7 in. Round Float, Fits 3/4 in. Rope	20	10
FLOAT KEEPERS & ROPE HOOKS				
R181436	71	Secures No. 590 to 3/4 in. rope, two pieces and two screws, one set holds one float in place	Bulk	
R181446	71	Set of two, bubble pack	12	1
R181486	74	Secures No. 590 to 3/4 in. rope, four pieces and two screws, one set holds one float in place	Bulk	
R06017	355	Replacement chrome brass rope hook	Bulk	
R181416	355	Replacement chrome brass rope hook, bubble pack	12	2
SAFETY FLOAT LINES				
R181206	3520	20 ft. Pool Dimension, 9 floats	6	15
R181216	3518	18 ft. Pool Dimension, 7 floats	6	14
R181226	3516	16 ft. Pool Dimension, 5 floats	6	12
R181200	3525	25 ft. Pool Dimension, 9 floats (Available Built to Order Only)	1	3
R181268	3524	24 ft. Pool Dimension, 9 floats (Available Built to Order Only)	1	3
R181269	3530	30 ft. Pool Dimension, 9 floats (Available Built to Order Only)	1	2

FLOATING CHEMICAL DISPENSERS

Featured Highlights

For use with Bromine or slow dissolving Trichlor tablets

330 Floating Chemical Dispenser

- Linear polyethylene construction and foam filled for added buoyancy. Has twist lock cap and adjustable control ring. Holds six 3 in. or 3 lbs. of 1 in. tablets.

335 Chlorine/Bromine Floating Dispenser

- For spas and small swimming pools. Linear polyethylene and foam filled. Rate of chemical dispensing is controlled by dial device. Holds 1 in. tablets only.

332 Splasher Pool/Spa Floating Dispenser

- For aboveground, splasher or small pools and spas. Can be used under spa or pool covers. Linear polyethylene and foam filled. Molded dispensing windows and positive control device. Holds approx. 11 oz. of 1 in. tablets.

Floating Accessory Leash

- Prevents floating items from hanging up or drifting away. Has 36 in. cord and molded anchor plate with pressure sensitive pad that adheres to most surfaces.



Floating Chemical Dispensers

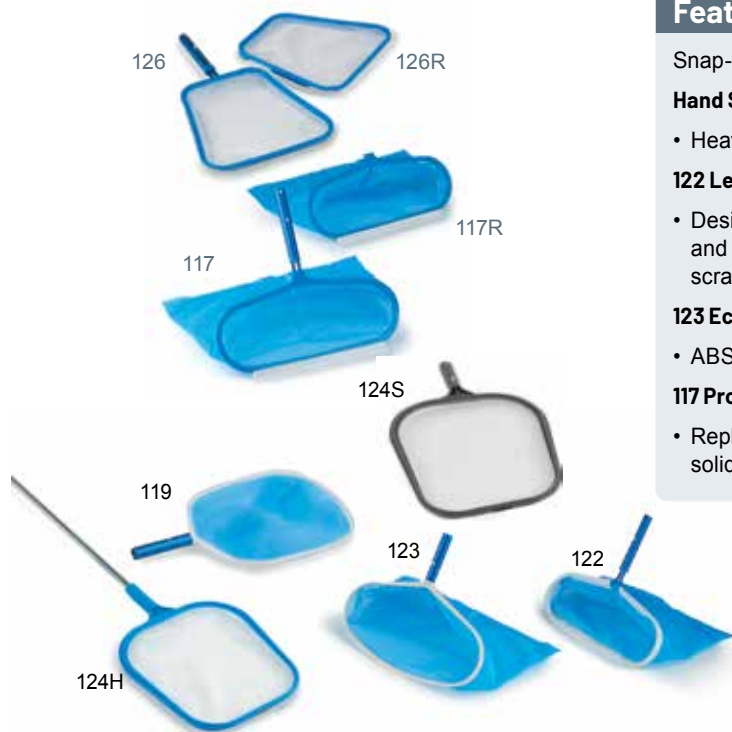
CALIFORNIA PROPOSITION 65 WARNING

⚠️ **WARNING:** Cancer and Reproductive Harm.
 ⚠️ **AVERTISSEMENT:** Peut Causer le Cancer et des Dommages au Système Reproducteur.
 ⚠️ **ADVERTENCIA:** Cáncer y Daño Reproductivo.
www.p65warnings.ca.gov

Ordering Information

Product	Description	Carton Qty.	Carton Wt. (Lbs.)
330 FLOATING CHEMICAL DISPENSER			
R171060	Floating Chemical Dispenser with screen installed between adjustment ring and body	12	13
R171086	Blue and white Floating Chemical Dispenser	12	13
R18856	Optional protective screen	Bulk	
332 SPLASHER POOL/SPA FLOATING DISPENSER			
R171130	Splasher Pool/Spa Dispenser	12	9
335 CHLORINE/BROMINE FLOATING DISPENSER			
R171074	Blue and white	12	8
R171090	Beige and white	12	8
R18855	Optional protective screen	Bulk	
ACCESSORIES			
R221270	Floating Accessory Leash	Bulk	

HAND SKIMMERS AND LEAF RAKES



Hand Skimmers and Leaf Rakes

Featured Highlights

Snap-adapt handles allow for use with most poles

Hand Skimmers

- Heavy-duty reversible nets stand up to tough wear

122 Leaf Rake

- Designed to easily remove leaves and debris. Screen and frame completely covered with squeegee for scraping fine, loose debris on pool bottom

123 Econo Leaf Rake

- ABS molded frame with aluminum reinforcement

117 Pro Leaf Rake

- Replaceable snap-on frame and net fits on 3/8 in. solid anodized aluminum rod

CALIFORNIA PROPOSITION 65 WARNING
 ⚠️ **WARNING:** Cancer and Reproductive Harm.
 ⚠️ **AVERTISSEMENT:** Peut Causer le Cancer et des Dommages au Système Reproducteur.
 ⚠️ **ADVERTENCIA:** Cáncer y Daño Reproductivo.
www.p65warnings.ca.gov PWS12071A

Ordering Information

Product	Model	Description	Carton Qty.	Carton Wt. (Lbs.)
HAND SKIMMERS				
R121026	119	Molded Frame Skimmer reinforced with aluminum and aluminum handle	12	8
R121166	124S	Spa/Aboveground Skimmer, screen molded into frame, with magnet	12	7
R121186	124H	Long Handle Skimmer, molded frame with 1 in. x 4 ft. pole	12	11
R121196	126	Professional Grade Heavy-duty Skimmer, 3/8 in. solid aluminum rod, Deep net molded into ABS snap-on replacement frame	12	13
R121216	126R	No. 126 Professional Grade Replacement frame and net	12	6
LEAF RAKES				
R121106	122	Leaf rake, 3/8 in. aluminum rod with attached handle and heavy-duty fiberglass screen	12	18
R121126	123	Econo leaf rake, ABS molded frame reinforced with aluminum, frame has raised lip for scraping bottom	12	10
R121230	117	Pro leaf rake, replaceable frame and net snaps onto 3/8 in. solid aluminum rod, replaceable squeegee strip	12	18
R121232	117R	Replacement frame, squeegee and netting for No. 117 and No. 122	12	12

LEAF TRAPS / LEAF EATERS

Featured Highlights

Leaf Traps

- Specially designed to be used with automatic suction-side pool cleaners or vacuum heads. Pentair Leaf Traps capture large amounts of leaves, twigs, rocks, hair pins, and other debris before it reaches the skimmer or pump basket. Most models include 3 ft. of flexible vacuum hose.

186 'Snap Open' Leaf Trap

- Features snap open and close lid, clear housing and large handle for ease of carrying. Available in 1-1/2 in. and 2 in. models. Traps debris in polyester bag. 25 sq. ft. cartridge (with special plug) for 100% filtration of fine dust, silt or small debris is also available.

360476 2.2 L Leaf Trap

- Fast and easy debris removal. Quick snap canister is a cinch to empty and clean. One male and one female hose attachment, no need for adapters.

185 Leaf Eater® Cleaner

- Venturi action top skimmer or bottom cleaner. Works with a garden hose and standard telepole or automatic pool cleaner hose. Collector bag slips on and off easily. Comes with brushes for vinyl liner pools and wheels for ease of turning on hard bottomed pools.



R172653 186A/B
Snap Open Leaf Traps

360476



185

186

Ordering Information

Product	Model	Description	Carton Qty.	Carton Wt. (Lbs.)
LEAF TRAPS				
R211084	186A	5.0 Liter Capacity, 1-1/2 in., bag, 3 ft. 1-1/2 in. hose	6	33
R211086	186B	5.0 Liter Capacity, 2 in., bag, 3 ft. hose	1	7
R211087	186B	5.0 Liter Capacity, 2 in., bag, no hose	1	5
R211256		Replacement hose	Bulk	
R172653	186	25 sq. ft. cartridge w/ plug	Bulk	
R211516		Standard mesh bag No. 186, No. 179C	Bulk	
R211518		Sand/silt bag No. 186, No. 179C	Bulk	
360476		2.2 Liter Capacity, 1-1/2 in., no hose	1	2
LEAF EATERS				
R211036	185	Wheels and brushes, mesh bag, display box	3	12
R211046	185B	Wheels and brushes, mesh bag, bulk, no display	6	17
R211286	185	No. 185-03 Sand/silt bag	Bulk	
R211406	185	No. 185-15 Replacement brushes, bubble pack	Bulk	
R211426	185	No. 185 Replacement bag, mesh	Bulk	
R211436	185	No. 185 Wheels assembly, 3 per bubble pack	Bulk	
HIGH CAPACITY LEAF EATER BAGS WITH EASY SLIDE ON/OFF CLOSURE				
R211432		Bag, 3 ft. long	Bulk	

CALIFORNIA PROPOSITION 65 WARNING

⚠️ **WARNING:** Cancer and Reproductive Harm.
 ⚠️ **AVERTISSEMENT:** Peut Causer le Cancer et des Dommages au Système Reproducteur.
 ⚠️ **ADVERTENCIA:** Cáncer y Daño Reproductivo.

www.p65warnings.ca.gov. PA22071A

See page 492 for replacement parts.

REPLACEMENT BASKETS



Featured Highlights

Replacement Baskets for Skimmers and Pumps

- These superior quality replacements are injection molded of the best materials required for optimum performance
- Designed to fit the most popular skimmer wells and pump pots

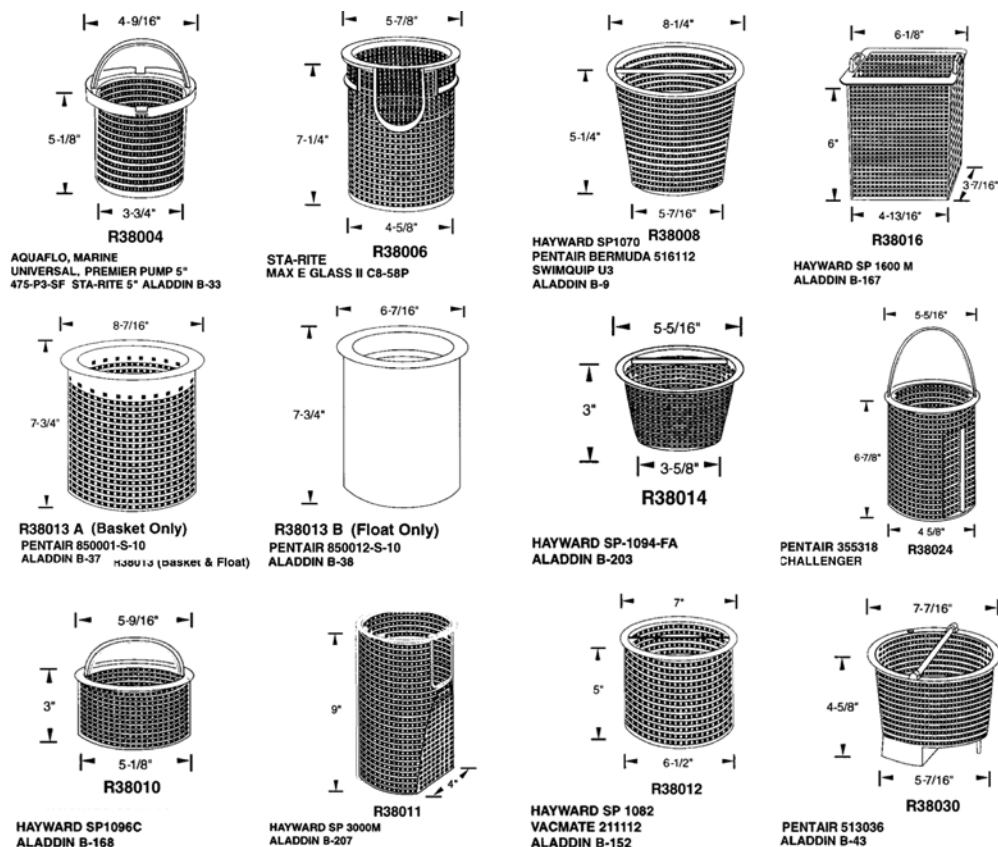
CALIFORNIA PROPOSITION 65 WARNING

⚠ **WARNING:** Cancer and Reproductive Harm.
 ⚠ **AVERTISSEMENT:** Peut Causer le Cancer et des Dommages au Système Reproducteur.
 ⚠ **ADVERTENCIA:** Cáncer y Daño Reproductivo.
www.p65warnings.ca.gov

Ordering Information

Product	Description	Carton Qty.
REPLACEMENT SKIMMER AND PUMP BASKETS		
R38004	AquaFlo, Marine, Universal, Premier Pump 5 in., 475-P3-SF, Sta-Rite 5 in., Aladdin B-33	Bulk
R38006	Sta-Rite Max-E-Glas II C8-58P	Bulk
R38008	Hayward® SP 1070, Pentair Aquatic Systems Bermuda 516112, Swimquip U3, Jacuzzi® 4138, Aladdin B-9	Bulk
R38010	Hayward SP-1096C, Aladdin B-168	Bulk
R38011	Hayward SP-3000M, Aladdin B-207	Bulk
R38012	Hayward SP-1082, VacMate 211112, Aladdin B-152	Bulk
R38013AZ	(Basket Only) Pentair Aquatic Systems 850001-S-10, Aladdin B-37	Bulk
R38013B	(Float Only) Pentair Aquatic Systems 850012-S-10, Aladdin B-38	Bulk
R38014	Hayward SP-1094-FA, Aladdin B-203	Bulk
R38016	Hayward SP-1600M, Aladdin B-167	Bulk
R38024	Pentair Aquatic Systems 355318 Challenger	Bulk
R38030	Pentair Aquatic Systems 513036, Aladdin B-43	Bulk

Hayward® is a registered trademark of Hayward Industries, Inc. and Jacuzzi® is a registered trademark of Jacuzzi, Inc.



MAINTENANCE KITS

Featured Highlights

Maintenance Kits

- Pentair has a variety of standard kits with the most popular combinations requested by our customers. Each kit is packaged in an attractive box with a handle.



CALIFORNIA PROPOSITION 65 WARNING
 ⚠️ **WARNING:** Cancer and Reproductive Harm.
 ⚠️ **AVERTISSEMENT:** Peut Causer le Cancer et des Dommages au Système Reproducteur.
 ⚠️ **ADVERTENCIA:** Cáncer y Daño Reproductivo.
www.p65warnings.ca.gov PH 201714

Ordering Information

Product	VL/Gunite	Brush	Vacuum	Thermometer	Test Kit	Leaf Net/Leaf Rake	Pole/Hose Hanger	Discharge Hose	Qty.
SWIMMING POOL MAINTENANCE KITS									
R131016 ¹		912		125	752	119	145		3
R131020 ¹		912		125	754 For Canada	119	145		3
R131021 ²	VL	912VL	191LW	125	752	124S			1
R131037 ¹		902B		127	3-Way Strips	119	145		3
R131046 ¹		902		130	78HR	126	145		3
R131048 ¹	VL	912	194	127		119			3
R131066 ¹	VL	902	194	127	752	126			3
R131074 ¹	VL	912	193	127	752	124S			3
R131075 ¹	VL	912	196	127	752	124S			3
R131076 ¹	VL	912VL	193	127	752	124S			3
R131078 ¹	VL	912VL	196	127	752	124S			3
R131079 ¹	VL	912VL	194		752	119			3
R131106 ¹		902		127	754 For Canada	126	145/165		3
R131146 ¹		912		127	78HR	124S			3
R131147 ¹		902		130	78HR	119			3
R131148A ²		902		133	78HR	119			1
R131155 ¹	Gunite	902	203	133	78HR	123	145		3
R131204 ²		902		136	78DPD	124S	145		1
R131256A ²		903 Alt. ⁴		133	752	119			1
R131316 ²	VL	902	194	136	752	124S		1.5 in. x 50 ft.	1
R131360 ²	Gunite	902	188	127	78HR	119			1
R131371 ²	Gunite	902	203	127 and 133		126			1
R131388 ¹	Gunite	902	201		78HR	119			3
R131398 ²	VL	902	196	127		119			1
R131404 ¹	Gunite	902	203		78HR	124S			3
R131410 ³	Gunite	902	203	125	Test Strips	119	145		1
R131418 ¹	Gunite	912	203	136		119			3
R131442 ³	VL	902	196	127	752	123		1.5 in. x 50 ft.	1
R131448 ¹	Gunite	903 Alt. ⁴	203	Yes - Jumbo	5-Way Strips	124S			3

¹ Pentair kraft box style.

² Corrugated box style.

³ Corrugated white box style.

⁴ Brush model 903 has been replaced with an alternate direct replacement.

POLES



Featured Highlights

- **Telescopic Poles** are constructed of high quality drawn aluminum tubing. The 1-1/8 in. OD inside tube is clear anodized and the 1-1/4 in. OD outer tube is bright blue anodized. Each has a bicycle type vinyl hand grip and packed in a protective poly sleeve.
- **Fiberglass Poles** with E-Z Lock compression lock are manufactured to withstand abuse. Required for service pros in areas where protection from electrical shock is mandatory. UV protective coating helps prevent splintering with age.

CALIFORNIA PROPOSITION 65 WARNING

⚠ **WARNING:** Cancer and Reproductive Harm.
 ⚠ **AVERTISSEMENT:** Peut Causer le Cancer et des Dommages au Système Reproducteur.
 ⚠ **ADVERTENCIA:** Cáncer y Daño Reproductivo.
www.p65warnings.ca.gov

Ordering Information

Product	Model	Description	Carton Qty.	Carton Wt. (Lbs.)
POLES				
R191106	820-12	1 piece Straight clear anodized pole -12 ft. w/ pole cap	12	28
R191116	820-16	1 piece Straight clear anodized pole -16 ft. w/ pole cap	12	37
R500070	406-16	2 piece telescopic "ribbed" pole - E-Z lock Cam - 8 ft.-16 ft.	12	28
R500072	406-12	2 piece telescopic "ribbed" pole - E-Z lock Cam - 6 ft.-12 ft.	12	22
R191306	806-16	2 piece telescopic pole - E-Z lock Cam - 8 ft. to 15-1/2 ft., blue	12	35
R191046	812-16	2 piece telescopic pole - Metal Cam - 8 ft. to 15-1/2 ft.	12	36
R191066	812-8	2 piece telescopic pole - Metal Cam - 4 ft. to 7-1/2 ft.	12	21
R191088	806-24	Commercial Aluminum Pole - 12 ft. to 23-1/2 ft. E-Z Lock	12	52
R191090	812-24	Commercial Aluminum Pole - 12 ft. to 23-1/2 ft. Metal cam	12	52
R191091	808-12	Commercial Fiberglass Pole - 6 ft. to 12 ft.	6	20
R191092	808-16	Commercial Fiberglass Pole - 8 ft. to 16 ft.	6	25
R191095	818-12	Commercial Fiberglass Pole - Straight 12 ft. w/ pole cap	6	21
R191101	808-22	Commercial Fiberglass Pole - 11-1/2 ft. to 22 ft.	6	32
R191104	818-16	Commercial Fiberglass Pole - Straight 16 ft. w/ pole cap	3	38
R191380		3 piece telescopic pole - E-Z Lock device - 12 ft.-36 ft., aluminum	6	35

POLE ACCESSORIES

Featured Highlights

- **Algae-Gon Chlorine Tablet Holder** securely holds a standard tablet at the end of any pole to deliver direct surface application of chlorine to eliminate dark algae and other surface stains. Snap-adapt handle attaches to most poles.

CALIFORNIA PROPOSITION 65 WARNING

⚠ **WARNING:** Cancer and Reproductive Harm.
 ⚠ **AVERTISSEMENT:** Peut Causer le Cancer et des Dommages au Système Reproducteur.
 ⚠ **ADVERTENCIA:** Cáncer y Daño Reproductivo.
www.p65warnings.ca.gov



Algae-Gon Tablet Holder



Cams



Pole Accessories

Ordering Information

Product	Model	Description	Carton Qty.	Carton Wt. (Lbs.)
POLE ACCESSORIES				
R07023		Replacement tip tool adapter for fiberglass poles	Bulk	
R22006	1125	Pole cap 1-1/8 in. poles	Bulk	
R22007	900	Pole cap 1-1/4 in. poles	Bulk	
R22025		White vinyl hand grip, 1 in.	Bulk	
R22054		White vinyl hand grip, 1-1/8 in.	Bulk	
R221036	145	Pole hangers, ABS with screws, 1 set per bubble pack card	24	5
R221042	143	Metal pole hangers, screws included, 1 set per bubble pack card	24	7
R221046	165	Hose hangers, ABS with screws 1 set per bubble pack card	24	8
R221054	167	Hose, pole, accessory hangers, large multi-purpose hangers hold vac hose, telepole, test kit, skimmer, brushes, etc., 1 set with screws per bubble pack card	12	12
542068		Algae-Gon chlorine tablet holder, snap-adapt handle attaches to telescopic pole	100	
R221126	147	Pool pole adapters, 3 pieces per set with 6 brass, 1/4 in. x 1-3/4 in. bolts and wing nuts, bubble pack	24	15
R221136	147S	Pool pole adapter, one piece with 2 sets of brass wing nuts and bolts, bubble pack	24	6
R221156	155	Brass bolt and wing nut	Bulk	
R221166	155	Brass bolt and wing nut, 6 sets per bubble pack	12	
R191206	801	White ABS, assembled, 1-1/4 in. brass screw, cam fits most 1-1/8 in. OD drawn and welded tubing, sleeve fits 1-1/4 in. OD	Bulk	
R191216	801	No. 801 Cam, bubble pack	12	
R191256	803	Metal cam die cast aluminum with white ABS sleeve, unassembled with 1/4-28 x 1 in. SS hex bolt, cam fits 1-1/8 in. OD drawn tubes, sleeve fits 1-1/4 in. OD, bubble pack	12	
R191296	806	E-Z Lock cam for aluminum poles, unassembled complete with glue and instructions, bubble pack	12	
R191302	807	E-Z Lock cam for fiberglass poles, unassembled complete with glue and instructions, bubble pack	12	

POOL & SPA SIGNS



Featured Highlights

Pool & Spa Signs

- Commercial quality pool and spa signs are constructed of weather-resistant, high impact plastic and finished with brass grommets for easy, secure hanging.

CALIFORNIA PROPOSITION 65 WARNING

⚠️ **WARNING:** Cancer and Reproductive Harm.
 ⚠️ **AVERTISSEMENT:** Peut Causer le Cancer et des Dommages au Système Reproducteur.
 ⚠️ **ADVERTENCIA:** Cáncer y Daño Reproductivo.

www.p65warnings.ca.gov. P650017A

Ordering Information

Product	Description	Size	Ctn Qty.
POOL & SPA SIGNS			
R230200	Pool Rules (Calif.)	18 in. x 24 in.	6
R230300	Spa Rules	18 in. x 24 in.	6
R230400	Pool Rules	18 in. x 24 in.	6
R230500	No Lifeguard On Duty. (4 in. letters)	24 in. x 18 in.	6
R235100	No Lifeguard On Duty. (4 in. letters - Georgia and Texas)	24 in. x 24 in.	6
R230800	Public Pool Use Notice	18 in. x 24 in.	6
R230900	Pool Capacity	18 in. x 12 in.	6
R231100	C.P.R.	24 in. x 18 in.	6
R231200	No Diving Allowed	18 in. x 12 in.	6
R231400	Pool Closed	12 in. x 6 in.	6
R231700	Emergency Phone No. 911	12 in. x 6 in.	6
R232600	No Glassware In Pool Area	9 in. x 12 in.	6
R233800	No Diving (South Carolina)	24 in. x 24 in.	6
R233900	Caution Spa Rules (South Carolina)	24 in. x 36 in.	6
R234000	Pool Rules (South Carolina)	24 in. x 36 in.	6
R234100	Pool Rules (North Carolina)	24 in. x 36 in.	6
R234200	SPA Rules (North Carolina)	24 in. x 36 in.	6
R234500	Water Conditions (Virginia)	12 in. x 9 in.	6
R234700	Danger Pool Closed	18 in. x 12 in.	6
R234800	Pool Rules (Florida)	24 in. x 42 in.	6
R234900	Spa Rules (Florida)	18 in. x 24 in.	6
R235200	Pool Risks (Georgia)	24 in. x 29.5 in.	6
R235300	No Lifeguard (South Carolina) 6 in. x 4 in. letters	36 in. x 24 in.	6
SPANISH POOL & SPA SIGNS			
R233700	(Reglamentos) Pool Rules	18 in. x 24 in.	6

Note: Sign images on the following two pages.

POOL & SPA SIGNS (CONT'D)



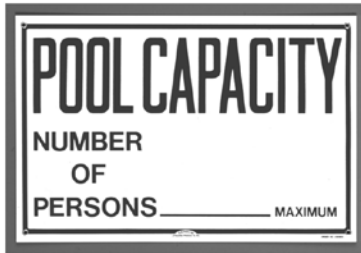
R230500 No Lifeguard On Duty
24 in. x 18 in.



R235100 No Lifeguard On Duty, 24 in. x 24 in.
(4 in. letters, Georgia and Texas)



R230800 Public Pool Use Notice 18 in. x 24 in.



R230900 Pool Capacity 18 in. x 12 in.



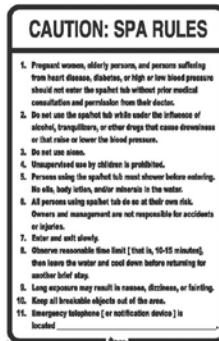
R231100 "C.P.R." 24 in. x 18 in.



R231200 No Diving Allowed, 18 in. x 12 in.



R231700 Emergency Phone No. 911, 12 in. x 6 in.



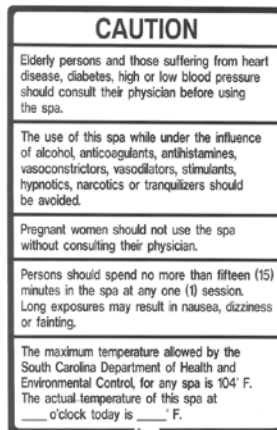
R234200 Caution Spa Rules (N. Carolina) 24 in. x 36 in.



R232600 No Glassware In Pool Area, 9 in. x 12 in.



R231400 Pool Closed 12 in. x 6 in.



R233900 Caution Spa Users (S. Carolina), 24 in. x 36 in.



R233800 No Diving (S. Carolina) 24 in. x 24 in.



R234000 Pool Rules (S. Carolina), 24 in. x 36 in.

POOL & SPA SIGNS (CONT'D)

POOL RULES

1. NO RUNNING.
2. NO BOISTEROUS OR ROUGH PLAY.
3. NO DIVING ALLOWED IN AREAS OF THE POOL LESS THAN 5 FEET DEEP OR IN POOLS NOT APPROVED FOR DIVING.
4. CHILDREN SHOULD NOT USE THE SWIMMING POOL WITHOUT ADULT SUPERVISION.
5. ADULTS SHOULD NOT SWIM ALONE.
6. NO PERSON UNDER THE INFLUENCE OF ALCOHOL OR DRUGS SHOULD USE THE POOL.
7. NO PERSON WITH SKIN, EYE, EAR OR NASAL INFECTIONS ALLOWED IN THE POOL.
8. NO PERSON WITH COMMUNICABLE DISEASE ALLOWED IN THE POOL.
9. NO ANIMALS OR PETS ALLOWED IN THE POOL OR ON THE DECK.
10. NO GLASS ALLOWED IN THE POOL OR ON THE DECK.
11. ALL PERSONS USING POOL DO SO AT THEIR OWN RISK. OWNERS AND MANAGEMENT ARE NOT RESPONSIBLE FOR ACCIDENTS OR INJURIES.
12. POOL IS FOR PRIVATE USE. MEMBERS AND GUEST ONLY.
13. MANAGEMENT RESERVES THE RIGHT TO DENY USE OF THE POOL TO ANYONE AT ANY TIME.
14. THIS POOL IS OPEN FROM _____ A.M. TO _____ P.M.
15. THE MAXIMUM NUMBER OF SWIMMERS ALLOWED IN THE POOL IS _____.
16. A FIRST AID KIT IS LOCATED _____.
17. EMERGENCY TELEPHONE (or other notification device) IS LOCATED _____.

R234100 Pool Rules
(N. Carolina), 24 in. x 36 in.

POOL RULES

- 1. ALL PERSONS USING POOL DO SO AT THEIR OWN RISK. OWNERS AND MANAGEMENT ARE NOT RESPONSIBLE FOR ACCIDENTS OR INJURIES.
- 2. POOL IS FOR PRIVATE USE ONLY; GUESTS MUST HAVE MANAGEMENT PERMISSION.
- 3. NO ANIMALS ALLOWED.
- 4. NO DRINKS OR FOOD PERMITTED IN POOL.
- 5. RUNNING OR UNNECESSARY NOISE IS NOT PERMITTED AT ANY TIME.
- 6. AFTER USING POOL, FOOTWEAR AND TOWELS MUST BE USED WHEN RETURNING TO BUILDING.
- 7. PERSONS WITH LONG HAIR MUST WEAR BATHING CAPS.
- 8. MANAGEMENT RESERVES THE RIGHT TO DENY USE OF POOL TO ANYONE AT ANY TIME.

POOL HOURS
(STRICTLY ENFORCED)

_____ TO _____

R230200 Pool Rules
(Calif.) 18 in. x 24 in.

SPA RULES

- 1. WARNING: NO LIFEGUARD ON DUTY
- 2. SHOWER BEFORE ENTERING SPA
- 3. NO ANIMALS IN SPA OR ON SPA DECK
- 4. NO FOOD OR DRINK IN SPA OR ON DECK
- 5. NO DIVING
- 6. CHILDREN UNDER 12 YEARS OLD MUST BE ACCOMPANIED BY AN ADULT
- 7. BATHING LOAD _____ PERSONS
- 8. EMERGENCY ASSISTANCE _____
- 9. MAXIMUM TEMPERATURE 105°F (40°C)

SPA HOURS
(STRICTLY ENFORCED)

_____ TO _____

R230300 Spa Rules
18 in. x 24 in.

DANGER

POOL CLOSED

R234700 Danger
Pool Closed 18 in. x 12 in.

POOL RISKS

1. SHOWER BEFORE ENTERING THE WATER.
2. CHILDREN SHALL NOT USE POOL WITHOUT AN ADULT IN ATTENDANCE.
3. ADULTS SHOULD NOT SWIM ALONE.
4. ALL CHILDREN THREE YEARS OLD AND YOUNGER AND ANY CHILD NOT POTTY-TRAINED MUST WEAR SNUG FITTING PLASTIC PANTS OR A WATER RESISTANT SWIM DIAPER.
5. DO NOT SWIM IF THE SUCTION OUTLETS ARE MISSING, BROKEN, OR NOT CLEARLY VISIBLE FROM THE DECK.
6. NO GLASS ARTICLES ALLOWED IN OR AROUND POOL.
7. DO NOT SWALLOW THE POOL WATER.
8. DO NOT DIVE UNLESS DIVING AREA IS CLEAR OF OTHER BATHERS.
9. DO NOT SWIM IF YOU HAD DIARRHEA WITHIN THE PAST TWO WEEKS.
10. NO ANIMALS ARE ALLOWED IN THE POOL OR POOL ENCLOSURE, EXCEPT SERVICE ANIMALS ARE ALLOWED ON THE DECK.

◆ PENTAIR

R235200 Pool Risks
Georgia, 24 in. x 29.5 in.

SPA RULES

1. NO FOOD, DRINK, GLASS OR ANIMALS IN POOL OR ON POOL DECK.
2. BATHING LOAD: _____ PERSONS.
3. POOL HOURS: _____ AM TO _____ PM.
4. SHOWER BEFORE ENTERING.
5. MAXIMUM WATER TEMPERATURE 104° F.
6. CHILDREN UNDER 12 MUST HAVE ADULT SUPERVISION.
7. MAXIMUM USE: 15 MINUTES.
8. PREGNANT WOMEN, SMALL CHILDREN, PEOPLE WITH HEALTH PROBLEMS AND PEOPLE USING ALCOHOL, NARCOTICS OR OTHER DRUGS THAT CAUSE DROWSINESS SHOULD NOT USE SPA POOLS WITHOUT FIRST CONSULTING A DOCTOR.

R234900 Spa Rules
(Florida), 18 in. x 24 in.

POOL RULES

(STRICTLY ENFORCED)

1. NO FOOD OR BEVERAGES IN POOL OR ON POOL WET DECK.
2. NO GLASS OR ANIMALS IN THE FENCED POOL AREA (OR 50 FEET FROM UNFENCED POOL).
3. BATHING LOAD: _____ PERSONS.
4. POOL HOURS: _____ A.M. TO _____ P.M.
5. SHOWER BEFORE ENTERING.
6. DO NOT SWALLOW THE POOL WATER.
7. DO NOT USE POOL IF YOU ARE ILL WITH DIARRHEA.
8. IF THE POOL INCLUDES A SUN SHELF,
**"WARNING:
DROP OFF AT SUN
SHELF EDGE IS
X FEET DEEP."**
9. IF THE POOL INCLUDES A SUN SHELF, "DO NOT PLACE FURNITURE IN POOL."

NO DIVING

◆ PENTAIR

R234800 Pool Rules
(Florida), 24 in. x 42 in.

POOL RULES

- 1. WARNING: NO LIFEGUARD ON DUTY
- 2. SHOWER BEFORE ENTERING POOL
- 3. NO ANIMALS IN POOL OR ON POOL DECK
- 4. NO FOOD OR DRINK IN POOL OR ON DECK
- 5. NO DIVING
- 6. CHILDREN UNDER 12 YEARS OLD MUST BE ACCOMPANIED BY AN ADULT
- 7. BATHING LOAD _____ PERSONS
- 8. EMERGENCY ASSISTANCE _____

POOL HOURS
(STRICTLY ENFORCED)

_____ TO _____

R230400 Pool Rules
18 in. x 24 in.

NO LIFEGUARD
ON DUTY
SWIM AT YOUR
OWN RISK

R235300 No Lifeguard
(S. Carolina), 36 in. x 24 in.
(6 in. x 4 in. letters)

**FOR YOUR COMFORT
THE WATER CONDITION
AT THIS TIME IS:**

SWIMMING POOL	OR	SPA
TIME _____		TIME _____
TEMP. _____		TEMP. _____
CHLORINE _____ P.P.M.		CHLORINE _____ P.P.M.
OR _____		OR _____
BROMINE _____ P.P.M.		BROMINE _____ P.P.M.
pH _____		pH _____
CYANURIC ACID _____ P.P.M.		CYANURIC ACID _____ P.P.M.

R234500 Water Conditions
(Virginia), 12 in. x 9 in.

REGLAMENTOS

- 1. AVISO: NO HAY SALVAVIDAS PRESENTE
- 2. BAÑARSE ANTES DE ENTRAR A LA PISCINA
- 3. ANIMALES PROHIBIDOS EN LA PISCINA
- 4. COMIDA O BEBIDA PROHIBIDA EN LA PISCINA
- 5. PROHIBIDO TIRARSE DE CABEZA AL AGUA
- 6. MENORES DE 12 AÑOS DEBEN DE SER ACOMPAÑADOS POR UN ADULTO
- 7. CAPACIDAD DE LA PISCINA _____ PERSONAS
- 8. NUMERO DE EMERGENCIA _____
- 9. HORAS DE USO _____

_____ A _____

R233700 Reglamentos
(Pool Rules), 18 in. x 24 in.

TEST KITS

DPD, BROMINE, PH & CHLORINE TEST KITS

Featured Highlights

Pentair testing kits and chemicals are manufactured under the strictest quality control standards in a laboratory staffed by certified chemists where all Test Solutions are formulated and packaged. To guarantee reliability, test reagents should be replaced annually. Replacement and bulk reagents are available in a variety of sizes and packaging.

CALIFORNIA PROPOSITION 65 WARNING

⚠️ **WARNING:** Cancer and Reproductive Harm.
 ⚠️ **AVERTISSEMENT:** Peut Causer le Cancer et des Dommages au Système Reproducteur.
 ⚠️ **ADVERTENCIA:** Cáncer y Daño Reproductivo.
www.p65warnings.ca.gov



Ordering Information

Product	Model	Description	Carton Qty.	Carton Wt. (Lbs.)
BROMINE TEST KITS				
R151196	756	"2 n 1" Bromine test kit, 1/2 oz. OTO and pH, Br range 0.5–6.5, yellow hinged case, packed 12 kits per counter display	24	10
R151201	756	"2 n 1" Bromine test kit, 1/2 oz. OTO and pH, Br range 0.5–6.5, yellow hinged case, packed 12 kits per counter display, for Canada	24	10
DPD TEST KITS				
R151190	77DPD	4 in 1 Chlorine/Bromine test kit. DPD No. 1 and No. 3 tablets, solutions No. 2, No. 3, No. 4, No. 5, wide Lucite test cell	12	16
R151246	78DPD	"All-in-One" test kit, free, total and combined Cl, pH, acid demand and total Alkalinity, Lucite test cell, 50 each DPD No. 1 and No. 3 tabs, 1 oz. No. 2, No. 3, 1/2 oz. No. 4, No. 5, water test booklet, red display box	12	17
R151248	78DPD+	"All-in-One" plus test kit, for servicemen or homeowners, free, total and combined Cl, Cyanuric Acid, pH, Acid Demand, Alkali Demand and Total Alkalinity, Lucite test cell, 50 each DPD No. 1 and No. 3 tablets, 10 Cyanuric acid tablets, 1 oz. No. 2, No. 3, 1/2 oz. No. 3B, No. 4, No. 5, water test booklet, red display box	12	18
200063	752DPD/PH	Free chlorine and pH analyzer test kit. DPD and pH tablets, 30 tablets each.	12	5
pH & CHLORINE TEST KITS				
R151076	752	"2 n 1" Test Kit 1/2 oz. OTO and Pre-Blended pH, Cl range 0.3–3.0, blue hinged case, packed 12 Kits per counter dispenser	24	10
R151082	752	"2 n 1" Test Kit 1/2 oz. OTO and Pre-Blended pH, Cl range 0.3–3.0, blue hinged case, packed 12 Kits per counter dispenser, for Canada	24	10
R151083	752	"2 n 1" Test Kit 1/2 oz. OTO and Pre-Blended pH, Cl range 0.3–3.0, blue hinged case, packed 12 Kits per counter dispenser, bubble pack, with Spanish instructions	24	10
R151186	78HR	"All-in-One" 4 Way Test Kit, Cl, pH, Acid Demand, Total Alkalinity, Lucite test cell with wide standards, 1 oz. No. 1, No. 2, No. 3, 1/2 oz. No. 4, No. 5, water test booklet, blue display box	12	16

Note: Products containing OTO not available in the State of California.

Note: Air shipment of OTO solution and kits containing OTO solution is prohibited.

TEST REAGENTS

CALIFORNIA PROPOSITION 65 WARNING
 ⚠️ **WARNING:** Cancer and Reproductive Harm.
 ⚠️ **AVERTISSEMENT:** Peut Causer le Cancer et des Dommages au Système Reproducteur.
 ⚠️ **ADVERTENCIA:** Cáncer y Daño Reproductivo.
www.p65warnings.ca.gov PH 202114

Ordering Information

Product	Description	Carton Qty.	Carton Wt. (Lbs.)
CYANURIC ACID REAGENT			
R161596	Cyanuric Acid Reagent, 8 ounce	24	15
R161606	Cyanuric Acid Reagent, 16 ounce	12	15
R161616	Cyanuric Acid Reagent, 32 ounce	12	28
R161626	Cyanuric Acid Reagent, 1 gallon	4	36
DPD TABLETS			
R161576	DPD No. 1 tablets, rapid dissolve	1000	1
R161586	DPD No. 3 tablets, rapid dissolve	1000	1
R161590	Phenol red tablets, rapid dissolve	1000	1
R161591	Cyanuric acid tablets	1000	1
R161676	Cyanuric acid tablets, 20 per bubble pack	12	2
R161593	DPD No. 1 tablets, 50 per bubble pack	12	2
R161599	DPD No. 3 tablets, 50 per bubble pack	12	2
R161594	Phenol red tablets, 50 per bubble pack	12	2
OTO AND pH SOLUTIONS (BUBBLE PACK)			
R161150	1/2 ounce	24	4
R161160	1 ounce	24	6
R161216	Refill No. 78, test kit, bubble pack	24	11
R161666	Refill No. 78 DPD, test kit, bubble pack	24	13
SOLUTIONS			
R161004	OTO Solution No. 1, 1/2 ounce, used in No. 782, No. 783 ¹	48	3
R161025	OTO Solution No. 1, 1 ounce ¹	48	6
R161046	OTO Solution No. 1, 8 ounce ¹	24	16
R161056	OTO Solution No. 1, 16 ounce ¹	12	15
R161018	pH Solution Phenol Red with Chlorine Neutralizer, 1/2 ounce, used in No. 761, No. 782, No. 783	48	3
R161094	pH Solution Phenol Red with Chlorine Neutralizer, 1 ounce	48	6
R161116	pH Solution Phenol Red with Chlorine Neutralizer, 8 ounce	24	15
R161126	pH Solution Phenol Red with Chlorine Neutralizer, 16 ounce	12	15
R161178	No. 2 (pH Test), 1 ounce ²	48	6
R161180	No. 2 (pH Test), 1 ounce, used in No. 78 and No. 7000 Series, PRO 11, display box ²	24	3
R161286	No. 2 (pH Test), 8 ounce ²	24	16
R161182	No. 3 (Acid Demand, Total Alkalinity), 1 ounce, used in No. 78 and No. 7000 Series, No. 1300, PRO 11, 12 pack display box ³	24	31
R161185	No. 3 (Acid Demand, Total Alkalinity), 1 ounce, used in No. 78 and No. 7000 Series, No. 1300, PRO 11 ³	48	6
R161302	No. 3 (Acid Demand, Total Alkalinity), 1/2 ounce, used in No. 761, No. 782, No. 783 ³	48	3
R161200	No. 3B (Alkali Base Demand), 1/2 ounce, used in No. 78+, No. 7600, No. 7700DPD	48	3
R161202	No. 3B (Alkali Base Demand), 1 ounce, used in No. 78DPD+, PRO 11	48	6
R161204	No. 4 (Chlorine Neutralizer), 1/2 ounce, used in No. 78+, No. 7000 Series, No. 1300, PRO 11, No. 761, No. 782, No. 783 ⁵	48	3
R161203	No. 5 (Total Alkalinity Test), 1/2 ounce, used in No. 78+, No. 7000 Series, No. 1300, PRO 11, No. 761, No. 782, No. 783 ⁴	48	3
R161634	No. 6 (Water Hardness Test), 1/2 ounce. Used in No. 761, No. 782, No. 783, No. 1200, PRO II	48	3
R161642	No. 7 (Water Hardness), 1/2 ounce. Used in No. 761, No. 782, No. 783	48	3
R161644	No. 7 (Water Hardness), 1 ounce. Used in No. 1200, PRO II	48	6

¹ Replaces Solution "A"

³ Replaces Solution "C"

⁵ Replaces Solution "1"

⁶ "pH Solution" or "Phenol Red" formulated by Pentair contains chlorine

² Replaces Solution "B"

⁴ Replaces Solution "D"

⁵ Replaces Solution "4"

Note: Products containing OTO not available in the State of California.

Note: Air shipment of OTO solution and kits containing OTO solution is prohibited.

WATER HARDNESS/SPECIALTY TEST KITS

Featured Highlights

Professionals Pro 11 Test Lab

- Complete 11 test lab designed for service professionals. Free, Total and Combined Cl, Br, Iodine, pH, Acid Demand, Total Alkalinity, Water Hardness and Cyanuric Acid. Handy red tote box contains complete instructions, solutions and tests. Pro-Design Test Cell features Cl range to 10ppm and meets recommended industry standards.



PRO11

CALIFORNIA PROPOSITION 65 WARNING
 ⚠️ **WARNING:** Cancer and Reproductive Harm.
 ⚠️ **AVERTISSEMENT:** Peut Causer le Cancer et des Dommages au Système Reproducteur.
 ⚠️ **ADVERTENCIA:** Cáncer y Daño Reproductivo.
www.p65warnings.ca.gov PK280744

Ordering Information

Product	Model	Description	Carton Qty.	Carton Wt. (Lbs.)
CYANURIC ACID TEST KITS				
R151226	79	Determine parts per million of Cyanuric Acid, test vial designed for positive readout, 8 oz. reagent, instructions in Styrene box with clear top	6	8
PRO 11 MINI LAB				
R151716	PRO 11	Professional Test Lab	6	13
TOTAL ALKALINITY TEST KITS				
R151306	1300	Indicates ppm of alkalinity, test vial, 1 oz. No. 3, 1/2 oz. No. 4, No. 5, blue compact box with instructions	24	12
WATER HARDNESS TEST KITS				
R151276	1200	Total Water Hardness Test Kit, total Hardness in ppm or grains, test vial, 1/2 oz. No. 6, 1 oz. No. 7 and instructions, compact box	24	11



Water Hardness/Specialty Test Kits

RAPID TEST STRIPS AND DIGITAL SALT TESTER



QuickTest™ Salt Tracer Kit

Featured Highlights

- **Rapid Test Strips** - Dip...swirl...and read instantly. No waiting.
- **3-Way Strip Tests for Free Chlorine or Bromine, pH, and Alkalinity**
50 Rapid Tests per bottle
- **5-Way Strip Tests for Free Chlorine or Bromine, Total Chlorine, pH, Alkalinity and Total Hardness**
50 Rapid Tests per bottle
- **Salt Strips (Sodium Chloride)**
10 Tests per bottle - Range 1500–5000 ppm

CALIFORNIA PROPOSITION 65 WARNING

⚠ **WARNING:** Cancer and Reproductive Harm.
 ⚠ **AVERTISSEMENT:** Peut Causer le Cancer et des Dommages au Système Reproducteur.
 ⚠ **ADVERTENCIA:** Cáncer y Daño Reproductivo.
www.p65warnings.ca.gov

Ordering Information

Product	Description	Carton Qty.	Carton Wt. (Lbs.)
RAPID TEST STRIPS			
R161566	3 Way, French, Spanish, English, with display box	12	2
R161568	5 Way, French, Spanish, English, Blister Card with display box	12	3
200060	Salt Strips (Sodium Chloride), English, Spanish, Blister Card with display box	12	2
DIGITAL SALT TRACER			
200064	QuickTest Salt Tracer Kit, includes handheld meter, 50 phosphate test strips, water sample cup, 2 vials of conductivity standard test solutions, carrying case	1	3
200065	Replacement Phosphate Test Strips, Clamshell – 50 strips/pack WHT	6	2
200066	Replacement QuickTest Calibration Solution	12	1.5



Rapid Test Strips

THERMOMETERS

Featured Highlights

High-quality pool and spa thermometers help deliver accurate temperature readings for greater enjoyment of recreational water. Pool thermometers also provide crucial information about the performance of pool heating systems.



Thermometers

CALIFORNIA PROPOSITION 65 WARNING

⚠️ **WARNING:** Cancer and Reproductive Harm.
 ⚠️ **AVERTISSEMENT:** Peut Causer le Cancer et des Dommages au Système Reproducteur.
 ⚠️ **ADVERTENCIA:** Cáncer y Daño Reproductivo.

www.p65warnings.ca.gov. FR-201714

Ordering Information

Product	Model	Description	Carton Qty.	Carton Wt. (Lbs.)
THERMOMETERS				
R141036	127	Tube thermometer, ABS case, 3 ft. cord, bubble pack	24	4
R141046	127	Tube thermometer, bulk pack	48	6
R141076	130	Chrome brass thermometer, blown glass tube secured in brass tubing, 3 ft. cord, bubble pack	24	6
R141086	130	Chrome brass thermometer, bulk pack	48	9
R141106	133	Floating thermometer, ABS tube, flotation cap with color label, bubble pack	24	6
R141200	136	E-Z read combo sink or float thermometer ABS with shatterproof magnifying lens, snap-on/off flotation top, 3 ft. leash w/ anchor plate, hanging or standing clam shell pack	24	8
R221270		Floating accessory leash, prevents floating thermometers from hanging up or drifting away, 3 ft. cord and anchor plate with pad to adhere to most surfaces	24	1



Floating Accessory Leash – prevents items such as a floating chlorinators or thermometers from hanging up or drifting away. Three foot cord and anchor plate with pad to adhere to most surfaces.

VINYL LINER POOL VACUUMS



Featured Highlights

191 Economy Vacuum

- Crescent shaped blue ABS with polypropylene bristles. Has snap-adapt handle and fits 1-1/4 in. or 1-1/2 in. vacuum hose.

193 Vinyl Liner Vacuum

- Oval shaped blue ABS with protective vinyl bumper. Ideal for vinyl liner pools or use on new plaster pools. Replaceable brushes, enclosed lead weights and snap-adapt handle. Fits 1-1/4 in. or 1-1/2 in. vacuum hose.

194 Econo Triangular Vacuum

- Sand weighted ABS body with replaceable brushes and snap-adapt handle. Fits 1-1/4 in. or 1-1/2 in. vacuum hose.

196 Clear View Vacuum

- Triangular shaped, weighted "see-thru" design. Features 2 piece 1-1/4 in. 1-1/2 in. vacuum hose swivel connection which allows hose to move freely without twisting. Cleans corners easily with protective vinyl bumper. Snap-adapt handle and replaceable adjustable brushes.

CALIFORNIA PROPOSITION 65 WARNING

⚠ **WARNING:** Cancer and Reproductive Harm.
 ⚠ **AVERTISSEMENT:** Peut Causer le Cancer et des Dommages au Système Reproducteur.
 ⚠ **ADVERTENCIA:** Cáncer y Daño Reproductivo.
www.p65warnings.ca.gov

Ordering Information

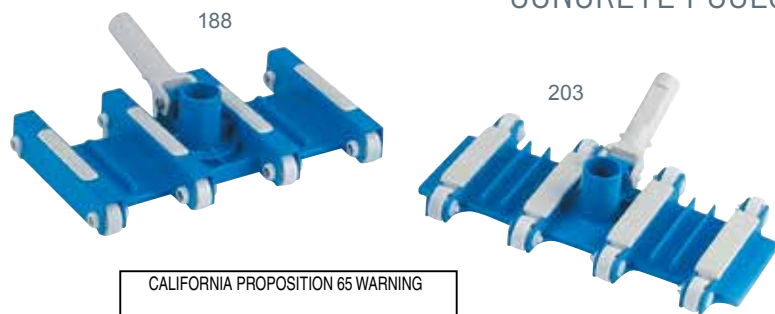
Product	Model	Description	Carton Qty.	Carton Wt. (Lbs.)
VINYL LINER POOL VACUUMS				
R201108	191	Economy vacuum, 191SW with lead weights	12	21
R201350	193	Vinyl liner vacuum, clam shell display pack	6	21
R201392	194	Econo triangular vacuum, clam shell display pack	6	26
R201398	196	Clearview vacuum, clam shell display pack	6	28

Note: All items with snap-adapt handle include a High Performance Acetal Resin spring and will snap into all standard poles or can be bolted on if preferred simply by removing Acetal Resin spring.

See page 493 for replacement parts.

FLEXIBLE POOL VACUUMS

CONCRETE POOLS



CALIFORNIA PROPOSITION 65 WARNING
 ⚠ **WARNING:** Cancer and Reproductive Harm.
 ⚠ **AVERTISSEMENT:** Peut Causer le Cancer et des Dommages au Système Reproducteur.
 ⚠ **ADVERTENCIA:** Cáncer y Daño Reproductivo.
www.p65warnings.ca.gov

Featured Highlights

188 Flexible Pool Vacuum

- Rugged polyethylene housing with enclosed weights. Adjustable solid molded wheels with stainless steel fasteners. Snap-adapt handle.

203 Superflex 14 in. Flexible Pool Vacuum

- Has factory set replaceable molded wheels and fasteners. Includes covered weights and snap-adapt handle with stainless steel wall-hugging spring device.

Ordering Information

Product	Model	Description	Carton Qty.	Carton Wt. (Lbs.)
FLEXIBLE POOL VACUUMS				
R201112	188	12 in. flexible vacuum, clam shell display pack	6	35
R201388	203	Superflex 14 in. flexible vacuum, clam shell display pack	6	25

PROVAC® II

FLEXIBLE COMMERCIAL VACUUMS

Featured Highlights

- Eco Select® Brand environmentally friendly composite weight system
- Suction chamber concentrates vacuum velocity for fast thorough cleaning
- Convertible wheel system – locks for straight cleaning pattern or pivots 360° for additional coverage
- Ultra smooth ball bearing wheels for effortless movement
- Flexible body hugs pool contours connection



CALIFORNIA PROPOSITION 65 WARNING

⚠ **WARNING:** Cancer and Reproductive Harm.
 ⚠ **AVERTISSEMENT:** Peut Causer le Cancer et des Dommages au Système Reproducteur.
 ⚠ **ADVERTENCIA:** Cáncer y Daño Reproductivo.
www.p65warnings.ca.gov

Ordering Information

Product	Model	Description	Carton Qty.	Carton Wt. (Lbs.)
PROVAC II				
200084	216	16 in. environmentally friendly, high performance vacuum with convertible wheel system	6	48
200086		Replacement wheel kit (4 per kit)		2

PROVAC®

FLEXIBLE COMMERCIAL VACUUMS

Featured Highlights

ProVac Residential & Commercial Vacuums

- The ProVac vacuum cleans a pool bottom in half the time
- Suction chamber concentrates vacuum velocity equally
- Full width flex strips guide debris into the suction chamber
- All wheels are adjustable to increase or decrease the vacuum velocity
- Includes 1-1/2 in. vac hose swivel connection

241 Super ProVac Vacuum

- Increased speed in cleaning large commercial pools

241 Super ProVac Vacuum (cont'd)

- 41 in. wide, dual port vacuum
- 22 ball bearing polyurethane wheels
- Includes adapters for 1-1/2 in. and 2 in. vacuum hose

250 Swivel Wheel 19 in. Commercial Flexible Vacuum

- ABS and polyethylene wheels with 6 lead weights swivel in any direction
- 19 in. body has 1-1/2 in. vacuum swivel adapter which allows hose to move freely without twisting. 2 in. hose fits directly on vacuum.
- Has snap-adapt handle and all component parts are replaceable



CALIFORNIA PROPOSITION 65 WARNING

⚠ **WARNING:** Cancer and Reproductive Harm.
 ⚠ **AVERTISSEMENT:** Peut Causer le Cancer et des Dommages au Système Reproducteur.
 ⚠ **ADVERTENCIA:** Cáncer y Daño Reproductivo.
www.p65warnings.ca.gov

Ordering Information

Product	Model	Description	Carton Qty.	Carton Wt. (Lbs.)
241 SUPER PROVAC				
R201298	241	Super ProVac Vacuum, 22 ball bearing polyurethane wheels, suction chamber, strategic weighting and dual manifold with handle joining assembly, includes adapters for 1-1/2 in. and 2 in. vacuum hose, boxed	1	21
250 COMMERCIAL FLEXIBLE VACUUM				
R201126	250	Swivel wheel 19 in., boxed	4	37
PROVAC SERIES RESIDENTIAL & COMMERCIAL VACUUMS				
R201276	214	14 in. Commercial model, metal swivel handle, ball bearing wheels, SS nut and bolt, boxed	6	46
R201286	222	22 in. Commercial model, metal swivel handle, ball bearing wheels, stainless steel shaft, boxed	1	9
R201296	229	29 in. Commercial model, metal swivel handle, ball bearing wheels, stainless steel shaft, boxed	1	11

Note: Refer to price list for vacuum replacement items such as handles, pins, hardware, wheels, axle assemblies, High Performance Acetal Resin clips and brushes.

See pages 494–495 for replacement parts.

MINI VAC™ / VAC-MATE® VACUUM/SKIMMER



204

Mini Vac Display Box

CALIFORNIA PROPOSITION 65 WARNING

⚠ **WARNING:** Cancer and Reproductive Harm.
 ⚠ **AVERTISSEMENT:** Peut Causer le Cancer et des Dommages au Système Reproducteur.
 ⚠ **ADVERTENCIA:** Cáncer y Daño Reproductivo.
www.p65warnings.ca.gov

Featured Highlights

Mini Vac Vacuum

Cleans spas, above ground pools, ponds, fountains and spot cleans large pools

- Designed for use with a garden hose or 1-1/4 in. or 1-1/2 in. vacuum hose
- Mini Vac Vacuum comes complete with silt bag, hose adapter, shut-off valve for garden hose use and snap-adapt handle for attaching PVC or telescopic poles
- Includes brush attachment for use on vinyl, fiberglass or smooth plaster surfaces and a nozzle attachment with wheel for use on rougher surfaces or spot cleaning large pools

Vac-Mate Vacuum/Skimmer

- A multi-function vacuum/skimmer attachment. The addition of a Vac-Mate Vacuum/Skimmer in most skimmers allows you to control a suction cleaner while maximizing surface skimming, all with one simple setting of the control handle.
- Skims pool surface continuously while cleaner is operating
- Traps debris in Vac-Mate Vacuum/Skimmer basket before it reaches pump pot
- Replaces most control mechanisms supplied with pool cleaners
- Makes any suction type pool cleaner and wall skimmer fully automatic

Ordering Information

Product	Model	Description	Carton Qty.	Carton Wt. (Lbs.)
MINIVAC VACUUM				
R191128	666H	PVC handle, 1-1/4 in. x 6 ft.	12	13
R201146	204	Mini Vac Vacuum, display box.	12	15
R201156	204	Mini Vac Vacuum, bubble pack card	12	16
R201716	204	Silt socks, 3 per bubble pack	12	2
R201718	204	Replacement bags, 2 per bubble pack	12	2
VAC-MATE VACUUM/SKIMMER				
R211100		Fits Pentair products 506300 Series and SwimQuip U3.	6	21



VAC-MATE



R211100

See pages 493 and 497 for replacement parts.

MISCELLANEOUS ACCESSORIES

Featured Highlights

Ladder Bumper

- Inner/outer design with pliable starter plug. Molded of medium density PVC. Fits standard 1.900 O.D. S.S. tubing.
- Protects pool wall from open end of tubular ladders

Silicone Lubricant

- For use on rubber seals, gaskets and o-rings in contact with plastics and metals. Recommended for use on filters, pumps, chlorinators and valves where corrosion occurs.



CALIFORNIA PROPOSITION 65 WARNING
 ⚠️ **WARNING:** Cancer and Reproductive Harm.
 ⚠️ **AVERTISSEMENT:** Peut Causer le Cancer et des Dommages au Système Reproducteur.
 ⚠️ **ADVERTENCIA:** Cáncer y Daño Reproductivo.
www.p65warnings.ca.gov PK220714

Ordering Information

Product	Model	Description	Carton Qty.	Carton Wt. (Lbs.)
DISCHARGE HOSES				
R221218		1-1/2 in. x 50 ft. with stainless steel clamp, display box	1	4
R221220		2 in. x 50 ft. with stainless steel clamp, display box	1	6
R221222		1-1/2 in. x 200 ft., display box	1	18
R221224		2 in. x 200 ft., display box	1	20
R221400		1-1/2 in. x 35 ft., display box	1	3
LADDER BUMPER				
R221298		Ladder Bumper, Bulk pack, fits std 1.900 O.D. S.S. tubing	288	49
R221300		Ladder Bumper, Bubble pack (2 per card), fits std 1.900 O.D. S.S. tubing	Bulk	
SILICONE LUBRICANT				
R172036Z		3/4 ounce	Bulk	
R172351		3/4 ounce, in counter display	30	3
MISCELLANEOUS ACCESSORIES				
R22010	850	Winterizing plug, 1-1/2 in. pipe thread, polyurethane	Bulk	
R22011	852	Winterizing plug, 2 in. pipe thread, polyurethane	Bulk	
LEAK DETECTOR				
R220006	151	Device attaches to telepole or 1-1/4 in. pole, includes red dye solution which follows leaks, can also be used to spot treat algae, rust etc., 1/2 oz. leak detector solution, 1/2 oz. bottle, complete instructions, bubble packed	12	6
R220008		Leak detector replacement solution, 3/4 oz.	Bulk	

AQUATRAM® POOL ACCESS LIFTS

ADA-COMPLIANT COMMERCIAL POOL LIFTS



Featured Highlights

- All AquaTRAM lifts comply with ADA Guidelines
- Dual flip-up arm rests provide easy and safe access
- Rechargeable battery-powered operation for easy use
- Comfortable seat with adjustable lap belt
- Simple-to-operate controls provide easy access in and out of pool
- Stainless steel with corrosion-resistant powder coated finish
- Lifting capacities up to 500 pounds

New ADA Regulations mandate that most types of commercial swimming pools must have ADA-compliant pool lifts or other approved means of access installed. AquaTRAM pool access lifts provide, safe, easy swimming pool access for swimmers with physical disabilities. With four versions to choose from, there is an AquaTRAM lift that fits every pool and budget. Standard features include simple to operate controls, rechargeable battery-powered operation and lifting capacities of up to 500 pounds.

CALIFORNIA PROPOSITION 65 WARNING

⚠ **WARNING:** Cancer and Reproductive Harm.
 ⚠ **AVERTISSEMENT:** Peut Causer le Cancer et des Dommages au Système Reproducteur.
 ⚠ **ADVERTENCIA:** Cáncer y Daño Reproductivo.
www.p65warnings.ca.gov

Ordering Information

Product	Model	Carton Qty.	Carton Wt. (Lbs.)
AQUATRAM 90			
11220	AquaTRAM 90 Lift with Quickset Dual Wedge Anchor	1	245
11220-A	AquaTRAM 90 Lift without Quickset Dual Wedge Anchor	1	235
11221	AquaTRAM 90 with Round Anchor	1	165
11221-A	AquaTRAM 90 Lift without Round Anchor	1	155
AQUATRAM			
11200	AquaTRAM Lift with Anchor	1	200
11200-A	AquaTRAM Lift without Anchor	1	190
11201	AquaTRAM Lift with Anchor-Left facing	1	200
11201-A	AquaTRAM Lift without Anchor-Left facing	1	190
AQUATRAM LT			
11230	AquaTRAM LT Lift with Anchor Kit	1	200
11230-A	AquaTRAM LT Lift without Anchor Kit	1	190
AQUATRAM 360			
11250	AquaTRAM 360 Lift with Anchor	1	335
11250-A	AquaTRAM 360 Lift without Anchor	1	325
AQUATRAM PT			
11280	AquaTRAM PT Portable Lift	1	425

*Includes cover, headrest, chest strap and extra integrated battery/control box unit.

Note: Not every lift will work for every application and pool profile. For example, the AquaTRAM and AquaTRAM LT lifts are not designed to clear high curbs or walls. To ensure that you are selecting an appropriate lift for your facility, please refer to our AquaTRAM verification guides or contact customer service for additional applications assistance. AquaTRAM verification guides are available on our website at www.pentaircommercial.com.

Note: For best efficiency please fax your purchase orders directly to 845-463-7291 or email: paragoncustserv@pentair.com.

For information about AquaTRAM lift accessories, please contact your Pentair Aquatic Systems Representative.

AquaTRAM products may have extended lead-times and cannot be combined with any Pentair Aquatic Systems freight programs..

AQUATRAM® POOL ACCESS LIFTS

POOL LIFT ACCESSORIES

Features and Benefits	AquaTRAM 90	AquaTRAM 360 Lift with in-deck tool-free anchoring	AquaTRAM Lift with in-deck tool-free anchoring
Lifting capacity	300 lbs.	500 lbs.	400 lbs.
ADA Compliant	√	√	√
Rotation for tight-area access	90° right or left	360°	
Boom arm design adapts to the most demanding and specialized applications; superb reach and wall clearance	√	√	
Can serve 2 adjoining pools with 1 lift		√	
Low profile design uses minimal deck space	√		√
22" wide seat standard		√	
Compact and lightweight, fits through most doorways	√		√
Secure in-deck anchoring with patented design; tool-free removal; portable with optional Transport Cart	√ Using Dual Wedge Anchor		√
Secure Docking Bar included to secure in place per ADA requirement			
Lag bolt anchoring, quick removal with tools; portable with optional Transport Cart			
Dual flip-up armrests for easier access and safer transfers	√	√	√
Adjustable & removable footrest fits users across a wide range of sizes	√	√	√
Adjustable lap belt with hook & eye fastening	√	√	√
Easy-to-use Slim Line controls can be operated from seat or pool ledge	√	√	√
Stainless steel construction, durable powder-coat finish	√	√	√
Battery-operated; easier to install & smoother transport than water power	√	√	√
Slim, one-piece 24v rechargeable battery	√	√	√
Submersible remote	√	√	√
5-year Limited Warranty (pro-rated after Year 2 on electronics)		√	√
Lifetime Limited Warranty on frame		√	√
2-year Limited Warranty	√		

Features and Benefits	AquaTRAM LT Lift with Lag-bolt anchoring	AquaTRAM PT
Lifting capacity	350 lbs.	350 lbs.
ADA Compliant	√	√
Rotation for tight-area access		
Boom arm design adapts to the most demanding and specialized applications; superb reach and wall clearance		
Can serve 2 adjoining pools with 1 lift		
Low profile design uses minimal deck space	√	√
22" wide seat standard		
Compact and lightweight, fits through most doorways	√	√
Secure in-deck anchoring with patented design; tool-free removal; portable with optional Transport Cart		
Secure Docking Bar included to secure in place per ADA requirement		√
Lag bolt anchoring, quick removal with tools; portable with optional Transport Cart	√	
Dual flip-up armrests for easier access and safer transfers	√	√
Adjustable & removable footrest fits users across a wide range of sizes	√	√
Adjustable lap belt with hook & eye fastening	√	√
Easy-to-use Slim Line controls can be operated from seat or pool ledge	√	√
Stainless steel construction, durable powder-coat finish	√	√
Battery-operated; easier to install & smoother transport than water power	√	√
Slim, one-piece 24v rechargeable battery	√	√
Submersible remote	√	√
5-year Limited Warranty (pro-rated after Year 2 on electronics)		
Lifetime Limited Warranty on frame		
2-year Limited Warranty	√	√

AQUATRAM® POOL ACCESS LIFTS

POOL LIFT ACCESSORIES (CONT'D)

AquaTRAM LT Lift and Anchor	
Pentair P/N	Description
11230	AquaTRAM LT Lift w/ Anchor Kit
11230-A	AquaTRAM LT Lift Less Anchor Kit
11231	AquaTRAM LT Anchor Kit only
11232	AquaTRAM LT Transport Cart
11204	AquaTRAM Protective Cover
11205	Adjustable Headrest, AquaTRAM only
11270	AquaTRAM Replacement Hand Control
11271	AquaTRAM Replacement Control Box (LINAk)
11278	AquaTRAM Replacement Control Box (VITO)
11273	AquaTRAM Replacement Actuator Cover
11276	Actuator (order with 11302)
11303	Actuator Frame and Bracket LT (VITO)




AquaTRAM Lift and Anchor	
Pentair P/N	Description
11200	AquaTRAM Lift w/ Anchor
11200-A	AquaTRAM Lift without Anchor
11201	AquaTRAM Lift w/ Anchor - Left facing
11201-A	AquaTRAM Lift without Anchor - Left facing
11202	QuickSet Dual Wedge Anchor for AquaTRAM Lift
11203	AquaTRAM Transport Cart
11276	Actuator (order with 11302)
11302	AquaTRAM Replacement Actuator Frame
11204	AquaTRAM Protective Cover
11205	Adjustable Headrest, AquaTRAM Only
11270	AquaTRAM Replacement Hand Control
11271	AquaTRAM Replacement Control Box
11273	AquaTRAM Replacement Actuator Cover

AquaTRAM Series SHARED Options & Accessories	
Pentair P/N	Description
11206	AquaTRAM Adjustable Chest Strap
11208	AquaTRAM Pull-out Leg rest
11211	AquaTRAM Replacement Battery (LINAk)
11277	AquaTRAM Replacement Charger (LINAk)
11212	AquaTRAM Replacement Battery (VITO)
11279	AquaTRAM Replacement Charger (VITO)
11213	AquaTRAM Replacement Footrest
11207	AquaTRAM Cycle Attachment
11305	AquaTRAM Replacement Seat w/ Arms
11215	AquaTRAM Replacement Seat Belt
11306	AquaTRAM Foot Rest

AquaTRAM 90 Lift	
Pentair P/N	Description
11220	AquaTRAM 90 Lift w/ Quickset Dual Wedge Anchor
11220-A	AquaTRAM 90 Lift w/o Quickset Dual Wedge Anchor
11221	AquaTRAM 90 Lift for Round Anchor Post w/Anchor
11221-A	AquaTRAM 90 Lift for Round Anchor w/o Anchor
11222	AquaTRAM 90 Lift Cover
11224	AquaTRAM 90 Lift Transport Cart
11226	AquaTRAM 90 Anchor for Round Post Model
11202	AquaTRAM 90 Anchor for Square Post Anchor
11240	2-1/2"OD x 1.95"ID Anchor Adapter Sleeve
11241	2-3/8"OD x 1.95"ID Anchor Adapter Sleeve
11242	2-5/8"OD x 1.95"ID Anchor Adapter Sleeve
11243	Round Anchor for Wood Framed Deck

AquaTRAM PT Lift	
Pentair P/N	Description
11280	AquaTRAM PT Lift w/ Sand Ballast (sand not incl.)
11280-C	AquaTRAM PT Lift w/ Concrete Ballast (concrete incl.)
11285	AquaTRAM PT Cover, Blue
11287	AquaTRAM PT Accessory Upgrade Kit
11289	Affixment Kit (contains docking bar and anchor)
11276	Actuator (order with 11301)
11301	Actuator Frame and Bracket PT (VITO)

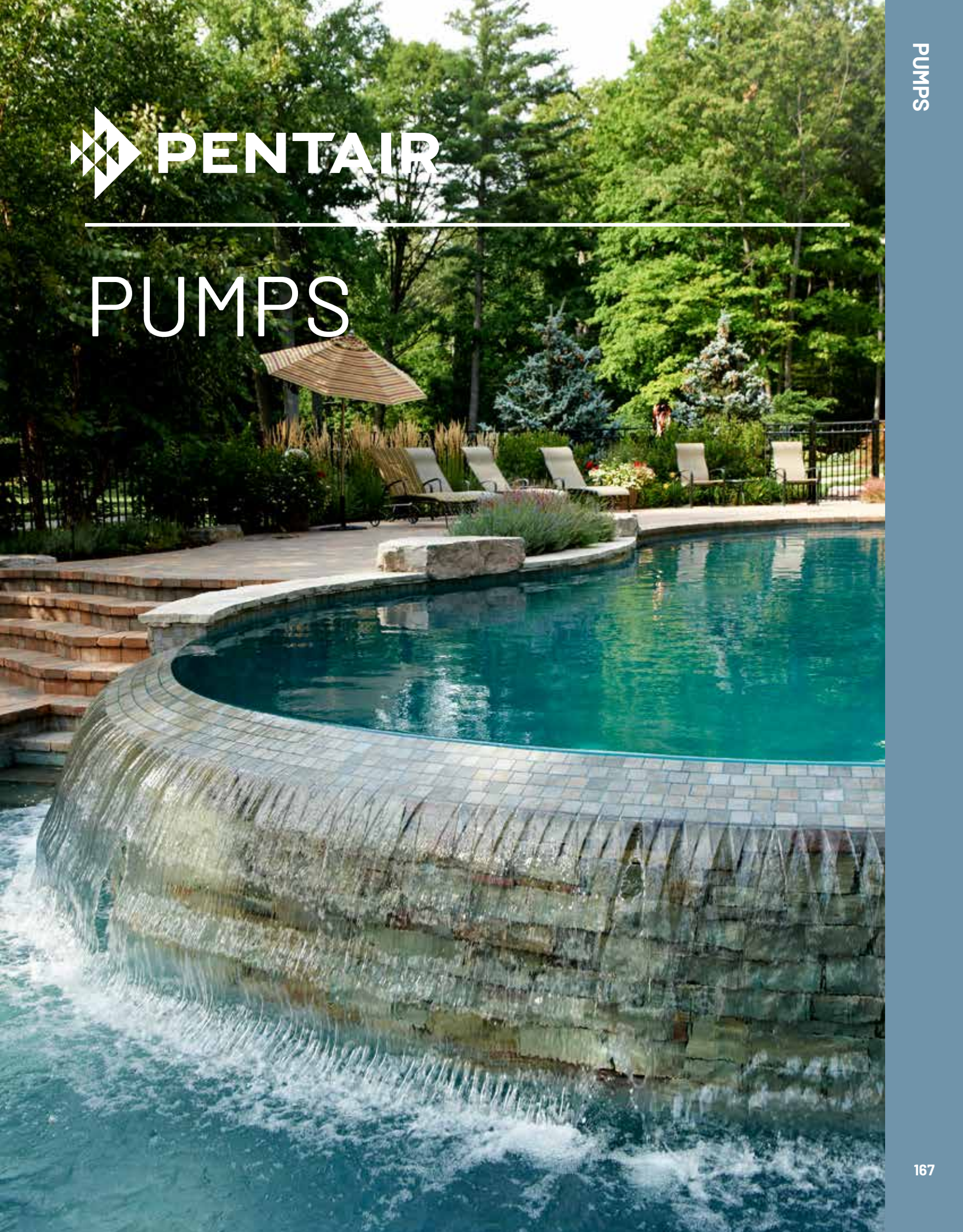
CALIFORNIA PROPOSITION 65 WARNING

 **WARNING:** Cancer and Reproductive Harm.
 **AVERTISSEMENT:** Peut Causer le Cancer et des Dommages au Système Reproducteur.
 **ADVERTENCIA:** Cáncer y Daño Reproductivo.
www.p65warnings.ca.gov

AquaTRAM 360 Lift and Accessories	
Pentair P/N	Description
11250	AquaTRAM 360 Lift w/ Anchor
11250-A	AquaTRAM 360 Lift without Anchor
11252	AquaTRAM 360 Anchor Kit w/ Cap
11257	AquaTRAM 360 Protective Cover
11254	AquaTRAM 360 Adjustable Headrest
11253	AquaTRAM 360 Transport Cart
11255	AquaTRAM 360 Sling Arm Option (500# Capacity)
11256-C	AquaTRAM 360 Replacement Sling Chain Set
11256	AquaTRAM 360 Replacement Sling (500# Capacity)
11256-B	AquaTRAM 360 Replacement Sling Bars
11258	AquaTRAM 360 Gurney Option
11260	AquaTRAM 360 Spine Board Option
11261	AquaTRAM 360 Head Immobilizer for Spine Board
11274	AquaTRAM 360 Replacement Hand Control, 4-Button
11275	AquaTRAM 360 Replacement Control Box
11276	AquaTRAM 360 Replacement Actuator
11259	AquaTRAM 360 Wheelchair Option 22" Chair included



PUMPS



INTELLIFLOXF[®] VSF

HIGH PERFORMANCE PUMP

TRADEGRADE



IntelliFloXF VSF Pump



This product may be protected by one or more of the following US Patents and all corresponding foreign counterparts: 7,686,587; 7,854,597; 8,043,070; 8,469,675; 8,573,952; D568,340; D606,562; D611,430

IntelliFloXF VSF pump is the first variable speed and flow pump that adjusts to changes in flow system conditions to maintain its programmed flow rate. With its available performance and efficiency, it is perfectly suited for large and feature rich pools with high flow demand.

Featured Highlights

- Eight programmable speed or flow settings and built-in timer
- Rotatable keypad with optional wall mount kit (sold separately)
- Top-mounted field wiring compartment is easier to access and connect
- Totally enclosed fan-cooled design keeps motor shielded from the elements for extended life
- Menus are easier than ever to use
- Union connectors included for connecting directly to 2.5" or 3" plumbing
- Precisely maintains system flow requirements
- Compatible with Pentair Automation
- WEF 5.6 THP 3.95

CALIFORNIA PROPOSITION 65 WARNING

⚠ **WARNING:** Cancer and Reproductive Harm.
 ⚠ **AVERTISSEMENT:** Peut Causer le Cancer et des Dommages au Système Reproducteur.
 ⚠ **ADVERTENCIA:** Cáncer y Daño Reproductivo.
www.p65warnings.ca.gov PN201514A

Ordering Information

Product	Model	Voltage	Full Load Amps	kW	HP	SF	SFHP	FREQ.	Primary Listings and Certifications ⁴	Port Size (NPT)	Carton Wt. (Lbs.)
INTELLIFLOXF VSF ENERGY EFFICIENT VARIABLE SPEED AND FLOW PUMP											
022056	IntelliFloXF VSF	230	16	3.2	3	1.32	3.95	50HZ/60HZ	UL ¹ , NSF ² , APSP ³	2.5 in. x 2.5 in. OR 3 in. X 3in.	58
ACCESSORIES											
400012	XF Riser Base - Simplifies installation of XF-series pumps in applications where Challenger pumps are being replaced.										
521109	IntelliCom 2 - Rated 9 - 30 V DC with 4 inputs										1
350122	Communication Cable - 50 ft. - Included with pump										2
356904Z	Keypad Relocation Kit										2

¹ 'UL' indicates that pump bears a UL mark signifying evaluation to U.S. Standards UL1081 for Permanently Connected Swimming Pool and Spa Pumps and to Canadian Standards CAN/CSA C22.2 No. 108-01 Liquid Pumps For Swimming Pools Only (Enclosure 3).

² 'NSF' indicates that pump bears a mark signifying evaluation to NSF Standard 50 For Self-Priming Centrifugal Pumps For Swimming Pools Only.

³ 'APSP' Pump has been evaluated to ANSI/APSP/ICC-15 and California Title 20 and is certified to use on Residential Swimming Pool Filtration Systems.

⁴ Product may have been evaluated to other state and local regulatory standards. Listing status may change. Always confirm status with appropriate agency if in doubt.

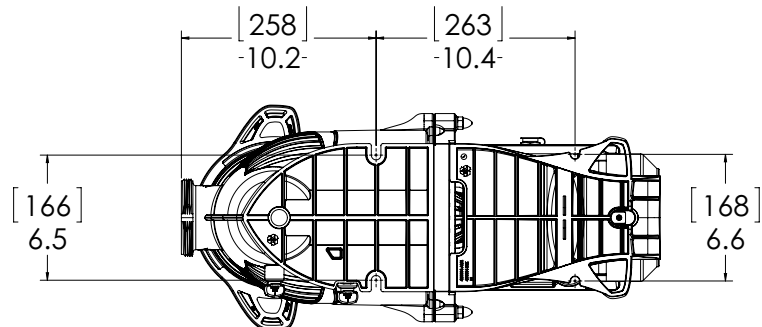
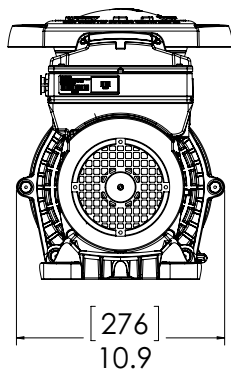
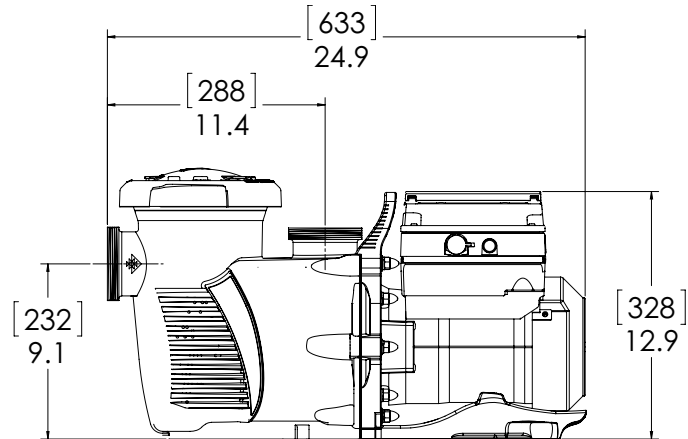
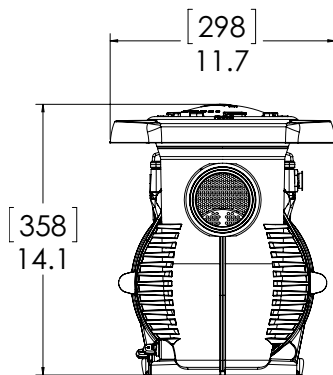
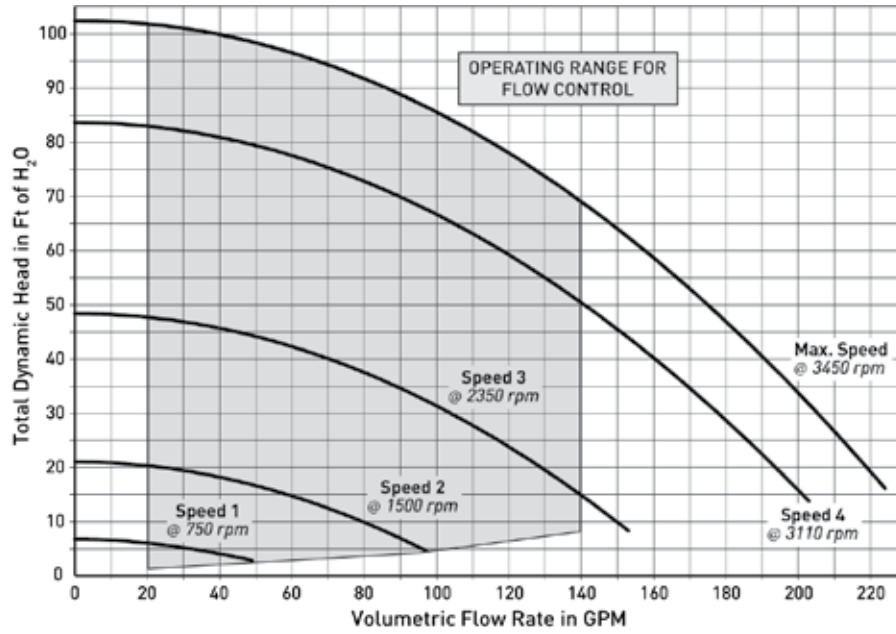
Note: Pump must be used with current collectors when installed on spas or hot tubs in Canada.

Refer to catalog page 50 for a selection of 2-Pole GFCI breakers which offer 6 milliamp personnel protection while meeting 2008 to current NEC Standards for Pool Pumps.

INTELLIFLOXF[®] VSF

HIGH PERFORMANCE PUMP (CONT'D)

Dimensions and Performance*



See page 503 for replacement parts.

INTELLIFLOXF® VARIABLE SPEED

HIGH PERFORMANCE PUMP



IntelliFloXF Variable Speed High Performance Pump



This product may be protected by one or more of the following US Patents and all corresponding foreign counterparts: D611,430; 7,686,587; 7,854,597; D606,562; 8,043,070; 8,469,675; 8,573,952

IntelliFloXF pump combines the superior internal geometry of the Pentair new generation XF pumps with the energy-savings technology of the IntelliFlo Variable Speed Pump to create an energy-efficient, economical, powerful, quiet and dependable pump.

Featured Highlights

- Innovative hydraulic isolator creates faster priming and turbulence-free flow for increased efficiency
- TEFC design keeps motor shielded from elements
- Union connectors included for 2.5 in. or 3 in. plumbing
- Drop-in replacement for WhisperFlo® Pump and optional riser base for easy Challenger® Pump replacement
- Easy carry handle; Cam and Ramp™ Lid that locks easily into place and see-through lid for easy basket inspection
- External port threading and tool-free union nut need only hand tightening
- Eight speed settings and on-board scheduling with timers
- LCD screen with rotatable keypad for easy programming
- Operates seamlessly on 50 hz or 60 hz input power
- Compatible with Pentair Automation
- WEF 5.6 THP 3.95

CALIFORNIA PROPOSITION 65 WARNING

⚠ **WARNING:** Cancer and Reproductive Harm.
 ⚠ **AVERTISSEMENT:** Peut Causer le Cancer et des Dommages au Système Reproducteur.
 ⚠ **ADVERTENCIA:** Cáncer y Daño Reproductivo.
www.p65warnings.ca.gov

Ordering Information

Product	Model	Voltage	Full Load Amps	kW	HP	SF	SFHP	FREQ.	Primary Listings and Certifications ⁴	Port Size (NPT)	Carton Wt. (Lbs.)
INTELLIFLOXF ENERGY EFFICIENT VARIABLE SPEED PUMP											
022055	IntelliFloXF	230	16	3.2	3	1.32	3.95	50HZ/60HZ	UL ¹ , NSF ² , APSP ³	2.5 in. x 2.5 in. OR 3 in. X 3in.	58
ACCESSORIES											
400012	XF Riser Base - Simplifies installation of XF-series pumps in applications where Challenger pumps are being replaced.										
521109	IntelliCom 2	- Rated 9 - 30 V DC with 4 inputs									1
350122	Communication Cable	- 50 ft. - Included with pump									2
356904Z	Keypad Relocation Kit										2

¹ 'UL' indicates that pump bears a UL mark signifying evaluation to U.S. Standards UL1081 for Permanently Connected Swimming Pool and Spa Pumps and to Canadian Standards CAN/CSA C22.2 No. 108-01 Liquid Pumps For Swimming Pools Only (Enclosure 3).

² 'NSF' indicates that pump bears a mark signifying evaluation to NSF Standard 50 For Self-Priming Centrifugal Pumps For Swimming Pools Only.

³ 'APSP' Pump has been evaluated to ANSI/APSP/ICC-15 and California Title 20 and is certified to use on Residential Swimming Pool Filtration Systems.

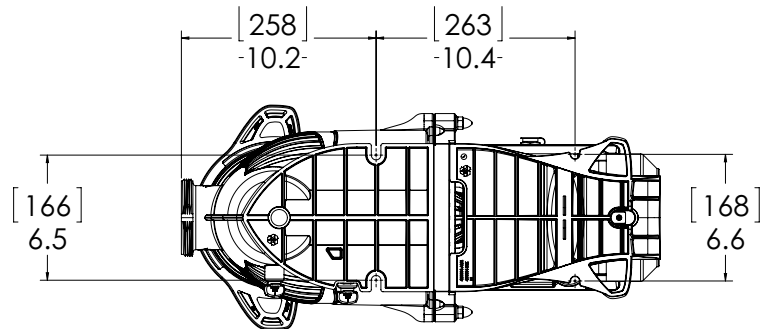
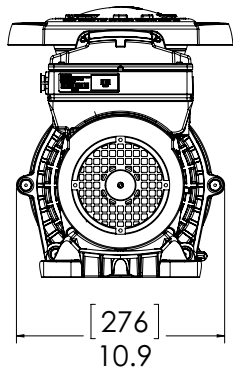
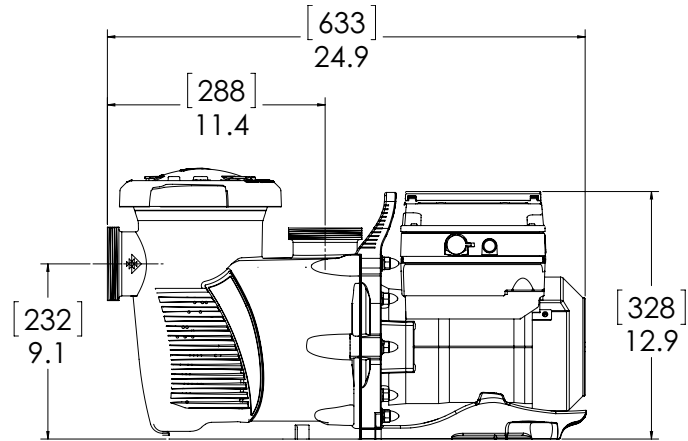
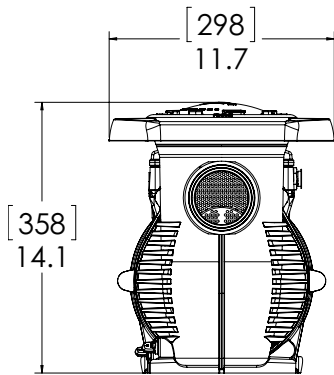
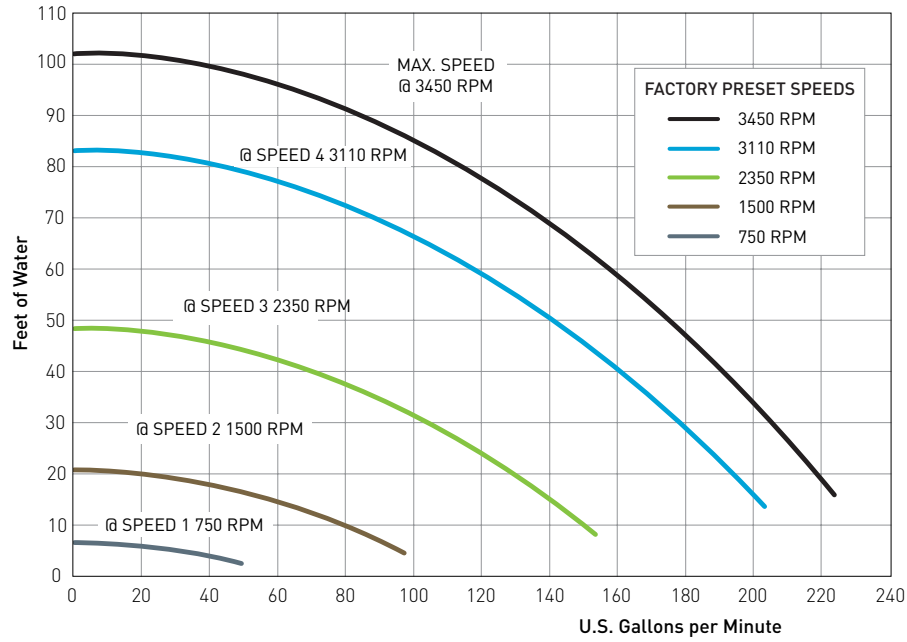
⁴ Product may have been evaluated to other state and local regulatory standards. Listing status may change. Always confirm status with appropriate agency if in doubt.

Note: Pump must be used with current collectors when installed on spas or hot tubs in Canada.

Refer to catalog page 50 for a selection of 2-Pole GFCI breakers which offer 6 milliamp personnel protection while meeting 2008 to current NEC Standards for Pool Pumps.

INTELLIFLOXF[®] VARIABLE SPEED HIGH PERFORMANCE PUMP (CONT'D)

Dimensions and Performance*



See page 503 for replacement parts.

INTELLIFLO® VSF

HIGH PERFORMANCE PUMP

TRADEGRADE



IntelliFlo VSF Pump



Featured Highlights

- Eight programmable speed or flow settings and built-in timer
- Rotatable keypad with optional wall mount kit (sold separately)
- Top-mounted field wiring compartment is easier to access and connect
- Totally enclosed fan-cooled design for increased performance and long life
- Menus are easier than ever to use
- Precisely maintains system flow requirements
- Compatible with Pentair Automation
- WEF 6.1 THP 3.95

This product may be protected by one or more of the following US Patents and all corresponding foreign counterparts: 7,686,587; 7,854,597; 8,043,070; 8,469,675; 8,573,952; D568,340; D606,562; D611,430

IntelliFlo VSF pump is the first variable speed and flow pump that adjusts to changes in flow conditions to maintain its preprogrammed flow rate to run optimally throughout the entire filtration cycle. It's like having cruise control for your pump.

CALIFORNIA PROPOSITION 65 WARNING

⚠ **WARNING:** Cancer and Reproductive Harm.
 ⚠ **AVERTISSEMENT:** Peut Causer le Cancer et des Dommages au Système Reproducteur.
 ⚠ **ADVERTENCIA:** Cáncer y Daño Reproductivo.
www.p65warnings.ca.gov PR2017A

Ordering Information

Product	Model	Voltage	Full Load Amps	kW	HP	SF	SFHP	FREQ.	Primary Listings and Certifications ¹	Port Size (NPT)	Carton Wt. (Lbs.)
INTELLIFLO VSF ENERGY EFFICIENT VARIABLE SPEED AND FLOW PUMP											
011056	IntelliFlo VSF	230	16	3.2	3	1.32	3.95	50Hz/60Hz	UL ¹ , NSF ² , APSP ³	2 in. x 2 in.	55
ACCESSORIES											
521109	IntelliCom 2 - Rated 9 - 30 V DC with 4 inputs										1
350122	Communication Cable - 50 ft. - Included with pump										2
357156	Chemical Resistant Lid										1
356904Z	Keypad Relocation Kit										2
UNIONS											
11201-0154	2 in. x 2 in. Union (2 in. NPT male x 2 in. female NPT quick connect) * Note: two required per pump (sold individually)									2	

¹ 'UL' indicates that pump bears a UL mark signifying evaluation to U.S. Standards UL1081 for Permanently Connected Swimming Pool and Spa Pumps and to Canadian Standards CAN/CSA C22.2 No. 108-01 Liquid Pumps For Swimming Pools Only (Enclosure 3).

² 'NSF' indicates that pump bears a mark signifying evaluation to NSF Standard 50 For Self-Priming Centrifugal Pumps For Swimming Pools Only.

³ 'APSP' Pump has been evaluated to ANSI/APSP/ICC-15 and California Title 20 and is certified to use on Residential Swimming Pool Filtration Systems.

⁴ Product may have been evaluated to other state and local regulatory standards. Listing status may change. Always confirm status with appropriate agency if in doubt.

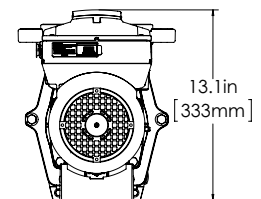
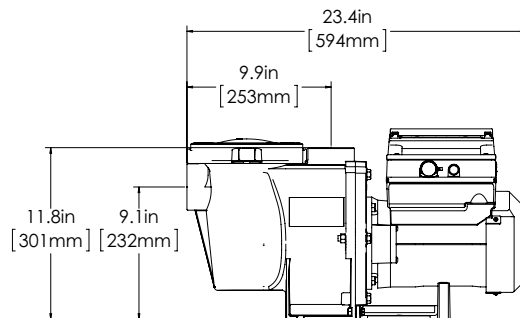
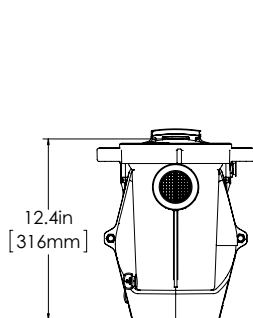
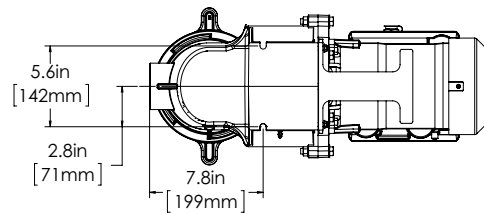
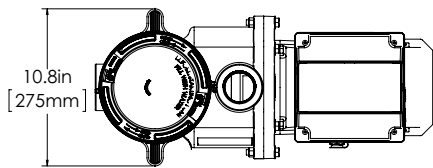
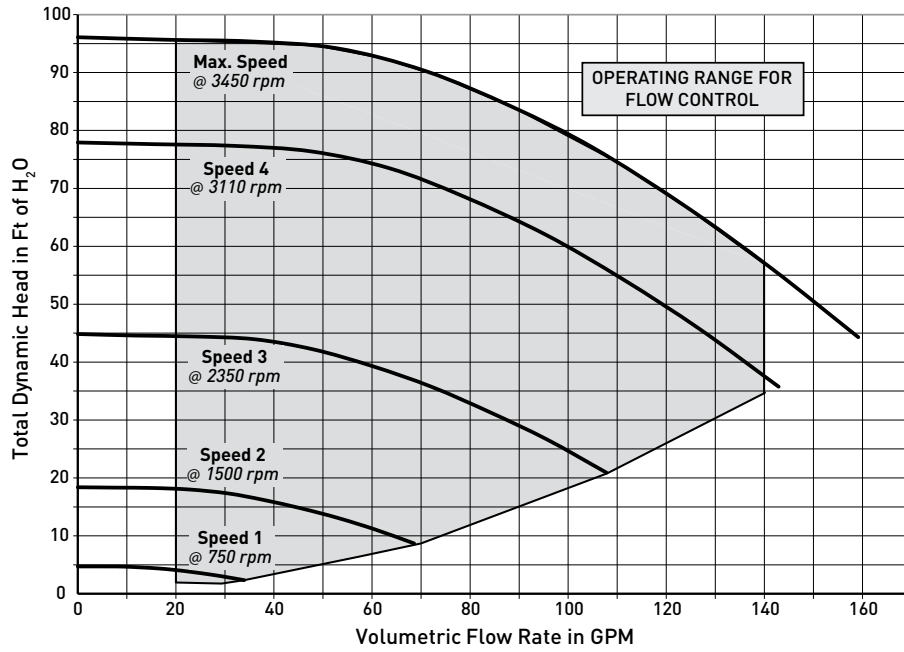
Note: Pump must be used with current collectors when installed on spas or hot tubs in Canada.

Refer to catalog page 50 for a selection of 2-Pole GFCI breakers which offer 6 milliamp personnel protection while meeting 2008 to current NEC Standards for Pool Pumps.

INTELLIFLO® VSF

HIGH PERFORMANCE PUMP (CONT'D)

Dimensions and Performance



INTELLIFLO® VARIABLE SPEED HIGH PERFORMANCE PUMP



IntelliFlo
Variable Speed Pump



Featured Highlights

- Control keypad can be rotated for convenient orientation on the pump or wall mounted with Relocation Kit
- Intuitive, easy to use menu structure for programming and monitoring
- Interfaces perfectly with Pentair automation systems that give you the convenience of mobile device control
- Totally enclosed fan cooled design for quiet operation and long life
- Top-mounted field wiring compartment makes access and installation easier
- 8-programmable speed settings and built in timer
- WEF 6.1 THP 3.95

This product may be protected by one or more of the following US Patents and all corresponding foreign counterparts: 7,686,587; 7,854,597; 8,043,070; 8,469,675; 8,573,952; D568,340; D606,562; D611,430

IntelliFlo VS Variable Speed pump is the next generation of Pentair's variable-speed pump technology. With energy savings up to 90% versus conventional pumps, near-silent operation and advanced programming capabilities, this pump continues to deliver everything a pool owner wants and reliability no other competitor can match.

CALIFORNIA PROPOSITION 65 WARNING

⚠️ **WARNING:** Cancer and Reproductive Harm.
 ⚠️ **AVERTISSEMENT:** Peut Causer le Cancer et des Dommages au Système Reproducteur.
 ⚠️ **ADVERTENCIA:** Cáncer y Daño Reproductivo.

www.p65warnings.ca.gov PH32071A

Ordering Information

Product	Model	Voltage	Full Load Amps	kW	HP	SF	SFHP	FREQ.	Primary Listings and Certifications ⁴	Port Size (NPT)	Carton Wt. (Lbs.)
INTELLIFLO VS ENERGY EFFICIENT VARIABLE SPEED (NON-SVRS MODEL)											
011028	IntelliFlo VS	230	16	3.2	3	1.32	3.95	50Hz/60Hz	UL ¹ , NSF ² , APSP ³	2 in. x 2 in.	55
ACCESSORIES											
521109	IntelliCom 2 - Rated 9 - 30 V DC with 4 inputs										1
350122	Communication Cable - 50 ft. - Included with pump										2
357156	Chemical Resistant Lid										1
356904Z	Keypad Relocation Kit										2
UNIONS											
11201-0154	2 in. x 2 in. Union (2 in. NPT male x 2 in. female NPT quick connect) * Note: two required per pump (sold individually)									2	

¹ 'UL' indicates that pump bears a UL mark signifying evaluation to U.S. Standards UL1081 for Permanently Connected Swimming Pool and Spa Pumps and to Canadian Standards CAN/CSA C22.2 No. 108-01 Liquid Pumps For Swimming Pools Only (Enclosure 3).

² 'NSF' indicates that pump bears a mark signifying evaluation to NSF Standard 50 For Self-Priming Centrifugal Pumps For Swimming Pools Only.

³ 'APSP' Pump has been evaluated to ANSI/APSP/ICC-15 and California Title 20 and is certified to use on Residential Swimming Pool Filtration Systems.

⁴ Product may have been evaluated to other state and local regulatory standards. Listing status may change. Always confirm status with appropriate agency if in doubt.

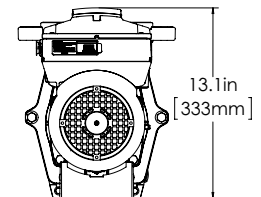
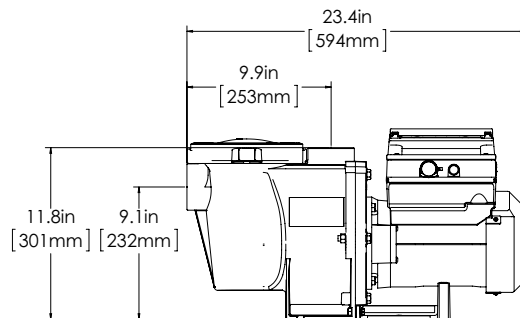
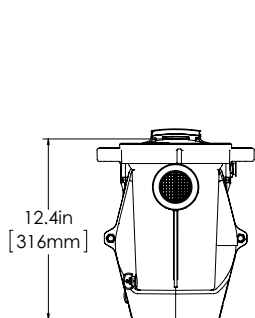
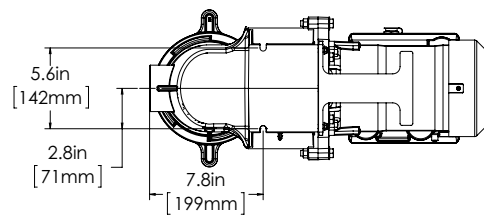
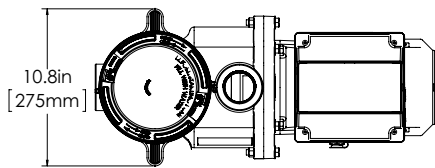
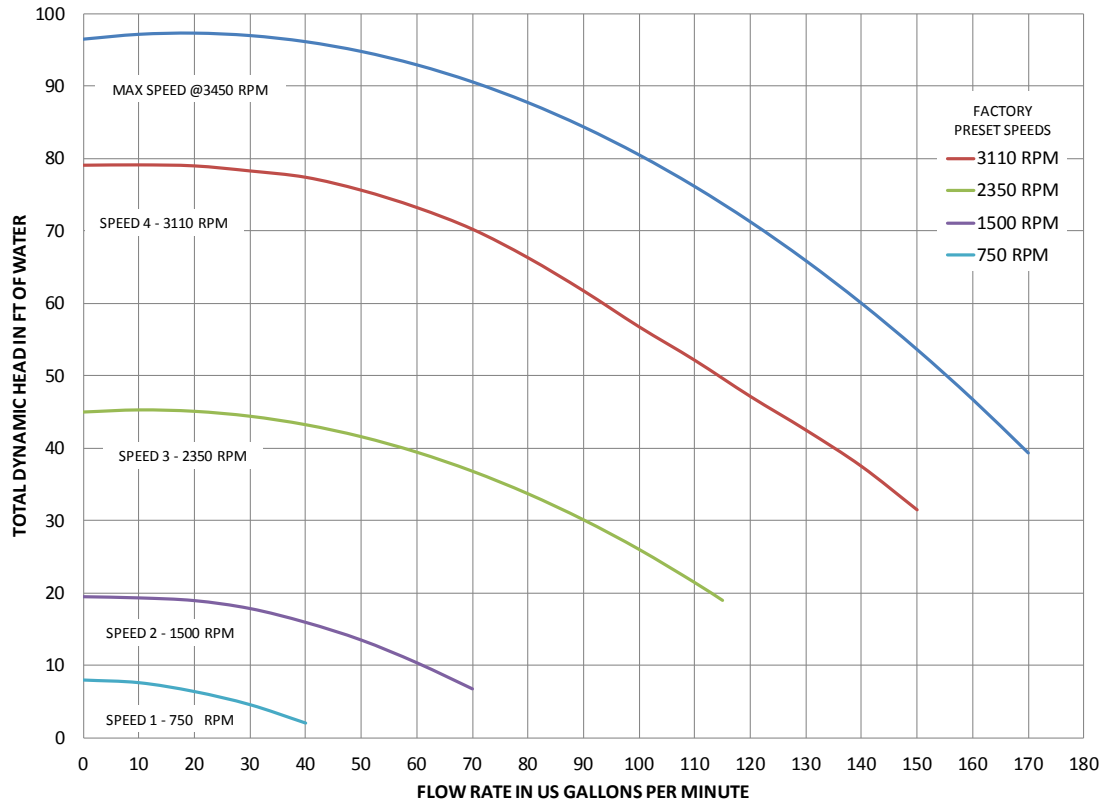
Note: Pump must be used with current collectors when installed on spas or hot tubs in Canada.

*Savings based on variable speed pump compared to a single-speed pump running 12 hours per day at an average of \$0.16 per kWh in a 20,000 gallon pool. Actual savings may vary based on local utility rates, pool size, pump run time, pump horsepower, pump rpm, plumbing size and length, pump model, service factor and other hydraulic factors.

Refer to catalog page 50 for a selection of 2-Pole GFCI breakers which offer 6 milliamp personnel protection while meeting 2008 to current NEC Standards for Pool Pumps.

INTELLIFLO® VARIABLE SPEED HIGH PERFORMANCE PUMP (CONT'D)

Dimensions and Performance



See page 506 for replacement parts.

INTELLIFLO® VS+SVRS

HIGH PERFORMANCE PUMPS



IntelliFlo VS+SVRS
High Performance Pump

This product may be protected by one or more of the following US Patents and all corresponding foreign counterparts: 8,313,306; 8,469,675; 8,602,743; 8,573,952; 8,602,745 8,043,070; 7,686,587; 7,854,597; 9,243,413; D568,340; D606,562, D611,430

IntelliFlo pumps combine variable speed technology, onboard digital intelligence and permanent magnet motors (used in hybrid cars) to reduce pump-related energy costs by up to 90%. The IntelliFlo VS+SVRS pump models were the first swimming pool pumps to feature a built-in Safety Vacuum Release System that detects drain blockage and automatically shuts the pump off.

Featured Highlights

- Ability to program exact pump speeds for specific operations – filtering, heating, cleaning, spa jets, water features and more
- SVRS complies with Virginia Graeme Baker Safety Act
- Built-in diagnostics protect the IntelliFlo pump from the most common causes of premature failure – overheating, freezing, and voltage irregularities.
- Includes priming protection. No SVRS calibrations needed. Built-in SVRS cannot be turned off.
- Safety lock-out feature (password protected) prevents pump speed settings from being changed by unauthorized personnel
- Ability to set minimum and maximum speeds so pump will only operate within the ranges set to help assure safe operation and long life
- Compatible with Pentair Automation Systems
- Compliant with the current ASME A112.19.17 Standard for Safety Vacuum Release Systems (SVRS)
- Operates seamlessly on 50 hz or 60 hz input power. Flow/speed are constant when operating on 50hz or 60 hz.
- WEF [6.1](#) THP [3.95](#)

CALIFORNIA PROPOSITION 65 WARNING
 ⚠️ **WARNING:** Cancer and Reproductive Harm.
 ⚠️ **AVERTISSEMENT:** Peut Causer le Cancer et des Dommages au Système Reproducteur.
 ⚠️ **ADVERTENCIA:** Cáncer y Daño Reproductivo.
www.p65warnings.ca.gov

Ordering Information

Product	Model	Voltage	Full Load Amps	kW	HP	SF	SFHP	FREQ.	Primary Listings and Certifications ⁶	Port Size (NPT)	Carton Wt. (Lbs.)
ENERGY EFFICIENT VARIABLE SPEED WITH SAFETY VACUUM RELEASE SYSTEM											
011057	IntelliFlo VS+SVRS	230	16	3.2	3	1.32	3.95	50hz/60hz	UL ¹ , NSF ² , CSA ³ , ASME ⁴ , ETL, APSP ⁵	2 in. x 2 in.	55
ACCESSORIES											
521109	IntelliCom 2 - Rated 9 - 30 V DC with 4 inputs										1
350122	Communication Cable - 50 ft. - Included with pump										2
350250Z	SVRS KIT - Allows use of discharge check valves with SVRS pump										1
UNIONS											
11201-0154	2 in. x 2 in. Union (2 in. NPT male x 2 in. female NPT quick connect) * Note: two required per pump (sold individually)										2

¹ 'UL' indicates that pump bears a UL mark signifying evaluation to U.S. Standards UL1081 for Permanently Connected Swimming Pool and Spa Pumps and to Canadian Standards CAN/CSA C22.2 No. 108-01 Liquid Pumps For Swimming Pools Only (Enclosure 3).

² 'NSF' indicates that pump bears a mark signifying evaluation to NSF Standard 50 For Self-Priming Centrifugal Pumps For Swimming Pools Only.

³ 'CSA' indicates that pump bears a CSA mark signifying evaluation to Canadian Standards CAN/CSA C22.2 No. 108-01 Liquid Pumps For Swimming Pools Only (Enclosure 3).

⁴ 'ASME' indicates that pump bears a specific mark signifying evaluation to ASME/ANSI Standard A.112.19.17 Manufactured Safety Vacuum Relief System (SVRS).

⁵ 'APSP' Pump has been evaluated to ANSI/APSP/ICC-15 and California Title 20 and is certified to use on Residential Swimming Pool Filtration Systems.

⁶ Product may have been evaluated to other state and local regulatory standards. Listing status may change. Always confirm status with appropriate agency if in doubt.

Note: Pump must be used with current collectors when installed on spas or hot tubs in Canada.

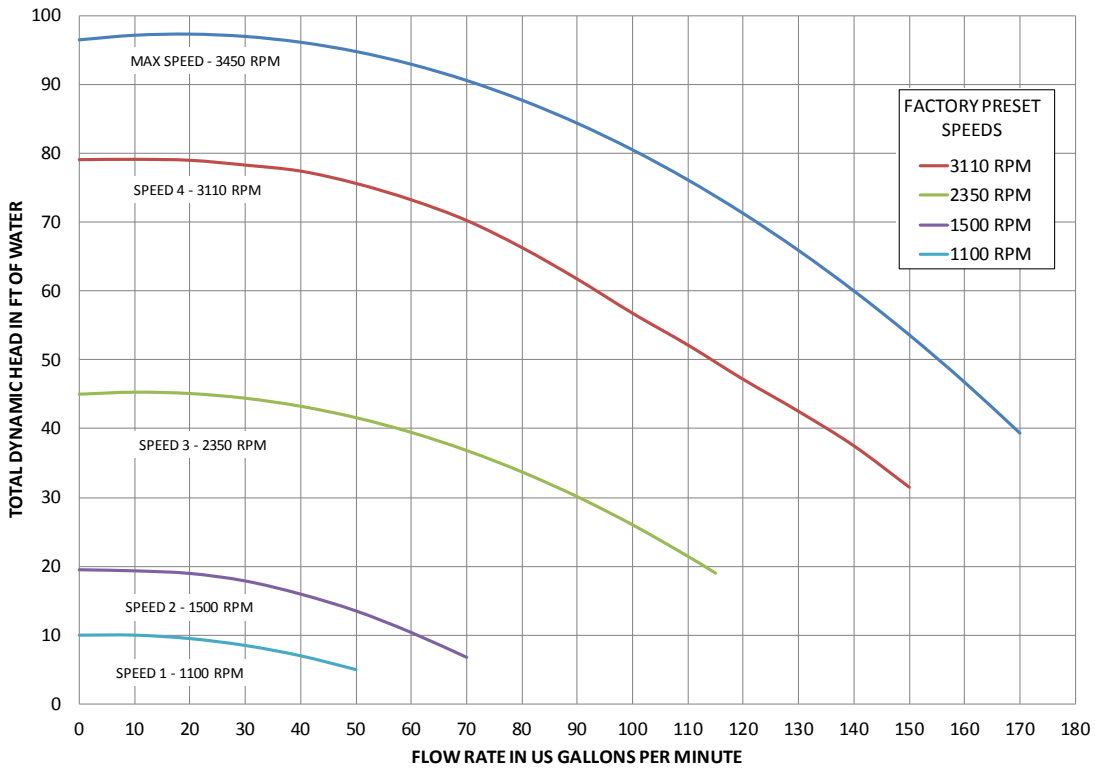
• Savings based on variable speed pump compared to a single-speed pump running 12 hours per day at an average of \$0.16 per kWh in a 20,000 gallon pool. Actual savings may vary based on local utility rates, pool size, pump run time, pump horsepower, pump rpm, plumbing size and length, pump model, service factor and other hydraulic factors.

Refer to catalog page 50 for a selection of 2-Pole GFCI breakers which offer 6 milliamp personnel protection while meeting 2008 to Current NEC Standards for Pool Pumps.

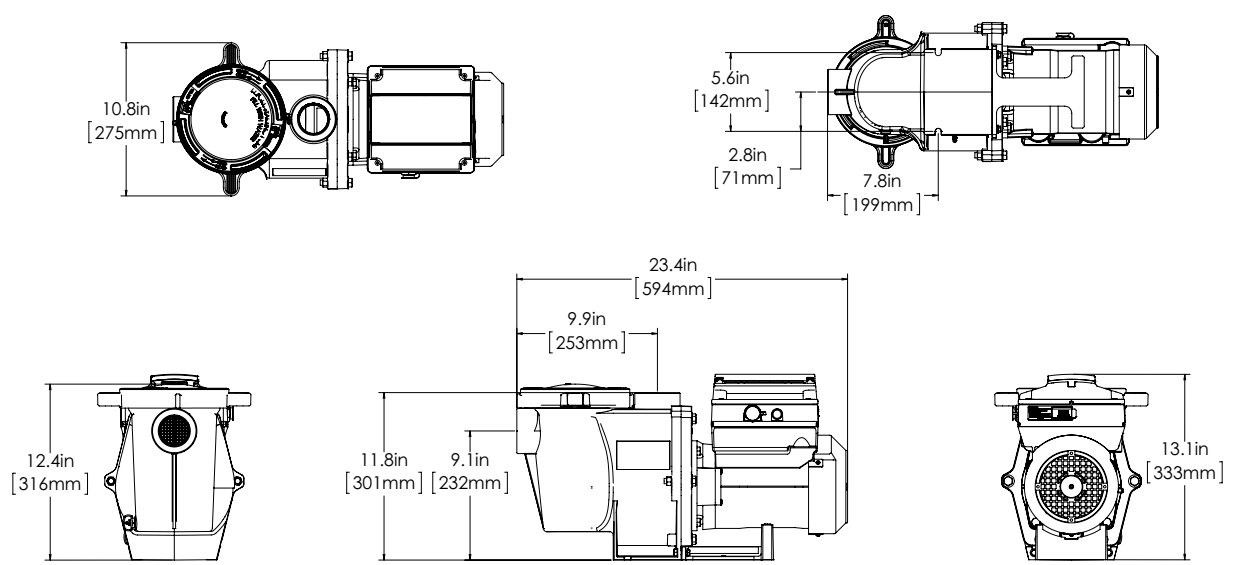
INTELLIFLO® VS+SVRS

HIGH PERFORMANCE PUMPS (CONT'D)

Dimensions and Performance



Note: IntelliFlo VS+SVRS minimum speed is 1100 RPM



See page 507 for replacement parts.

INTELLIFLO® i2

VARIABLE SPEED PUMP



IntelliFlo i2
Variable Speed Pump



This product may be protected by one or more of the following US Patents and all corresponding foreign counterparts: 7,686,587; 7,854,597; 8,043,070; 8,469,675; 8,573,952; D568,340; D606,562; D611,430

IntelliFlo i2 Variable Speed pump is hydraulically engineered to provide maximum performance on a 15-amp breaker. It has a maximum rating of 11.8 amps, also making retrofits easier in applications that are limited by existing wire gauge size. The IntelliFlo i2 pump provides all the great features that have made our best-selling IntelliFlo pumps the industry standard.

Featured Highlights

- Rotable keypad for easy programming and viewing
- Keypad has the ability to be wall mounted with optional wall kit (sold separately)
- Intuitive interface/HMI simplifies programming and use
- Top-mounted field wiring compartment for easy access and installation
- 8 programmable speed settings and built in timer
- Totally-enclosed fan-cooled design (TEFC) for quiet operation
- Built-in diagnostics protect the pump for longer service life
- Interfaces perfectly with Pentair automation systems
- WEF 6.9 THP 3.95

CALIFORNIA PROPOSITION 65 WARNING

⚠ **WARNING:** Cancer and Reproductive Harm.
 ⚠ **AVERTISSEMENT:** Peut Causer le Cancer et des Dommages au Système Reproducteur.
 ⚠ **ADVERTENCIA:** Cáncer y Daño Reproductivo.
www.p65warnings.ca.gov

Ordering Information

Product	Model	Voltage	Full Load Amps	HP	SF	SFHP	FREQ.	Primary Listings and Certifications ⁴	Port Size (NPT)	Carton Wt. (Lbs.)
ENERGY EFFICIENT VARIABLE SPEED FULL RATED										
011060	IntelliFlo i2	230V	11.8	2.0	1.98	3.95	50hz/60hz	UL ¹ , NSF ² , APSP ³	2 in. x 2 in.	55
ACCESSORIES										
521109	IntelliCom 2 - Rated 9 - 30 V DC with 4 inputs									1
350122	Automation Communication Cable for IntelliFlo - Included with pump									2
357156	Chemical Resistant Lid									1
356904Z	Optional Keypad Wall Mount Kit									2

¹ 'UL' indicates that pump bears a specific UL mark signifying evaluation to U.S. Standards UL1081 for Permanently Connected Swimming Pool and Spa Pumps and to Canadian Standards CAN/CSA C22.2 No. 108-01 Liquid Pumps For Swimming Pools Only (Enclosure 3).

² 'NSF' indicates that pump bears a mark signifying evaluation to NSF Standard 50 For Self-Priming Centrifugal Pumps For Swimming Pools Only.

³ 'APSP' Pump has been evaluated to ANSI/APSP/ICC-15 and California Title 20 and is certified to use on Residential Swimming Pool Filtration Systems.

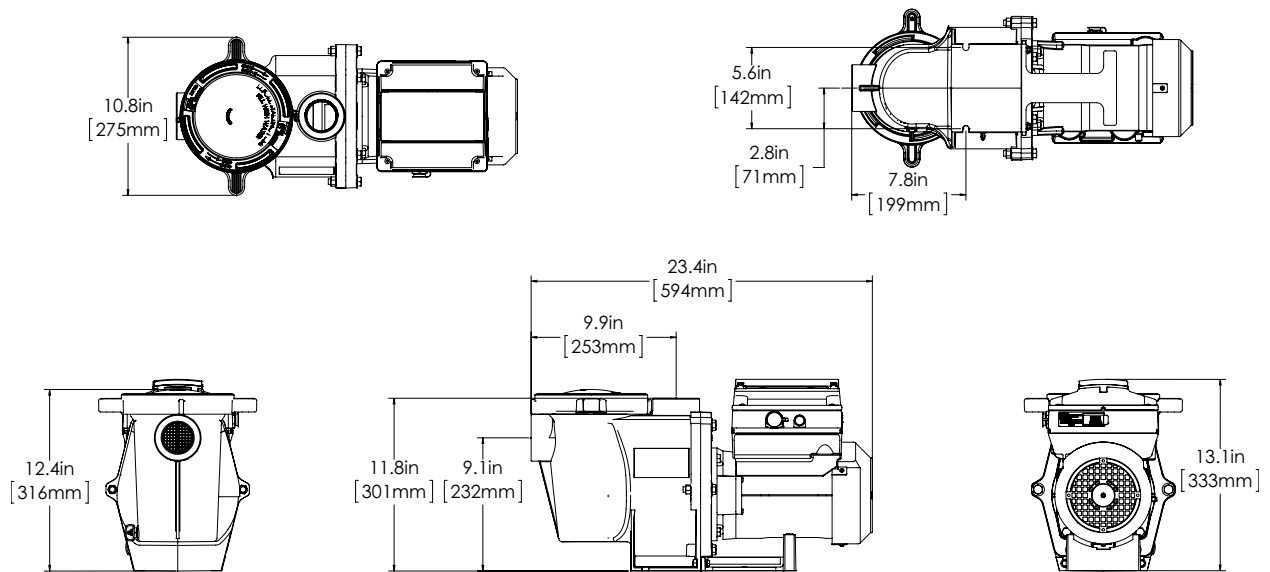
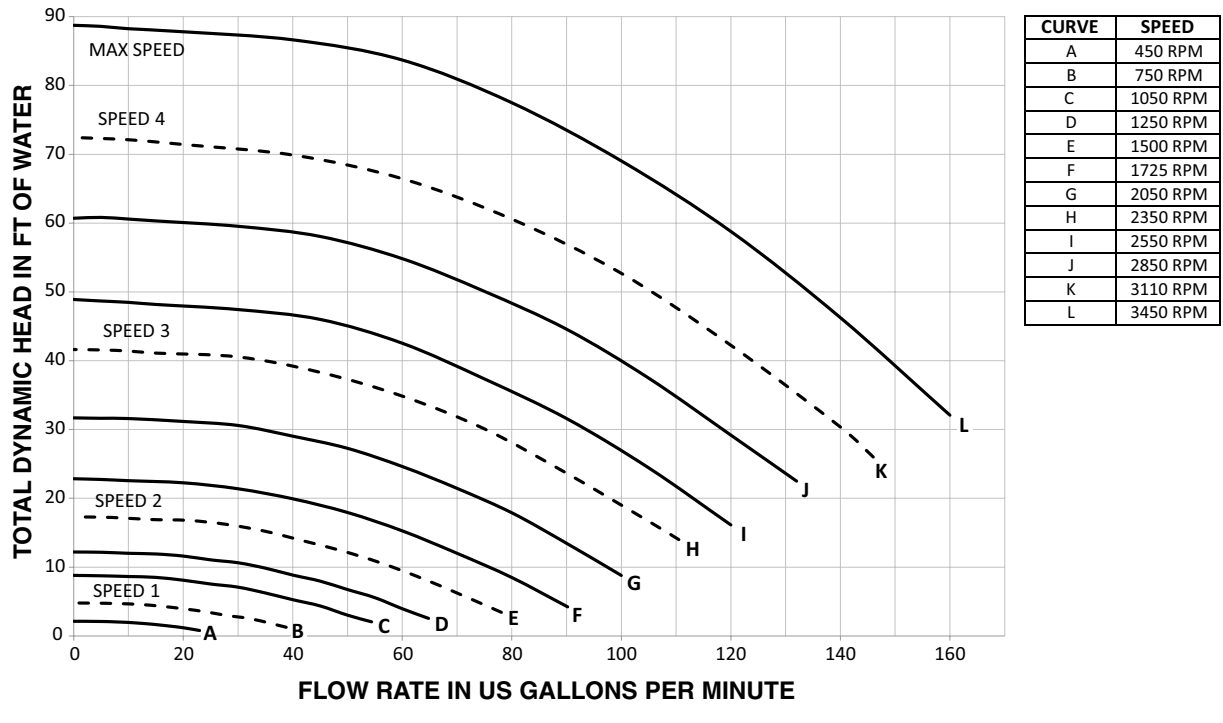
⁴ Product may have been evaluated to other state and local regulatory standards. Listing status may change. Always confirm status with appropriate agency if in doubt.

Refer to catalog page 50 for a selection of 2-Pole GFCI breakers which offer 6 milliamp personnel protection while meeting 2008 to current NEC Standards for Pool Pumps.

INTELLIFLO® i2

VARIABLE SPEED PUMP (CONT'D)

Dimensions and Performance



INTELLIFLO® i1

VARIABLE SPEED PUMP



IntelliFlo i1
Variable Speed Pump



Featured Highlights

- Rotable keypad for easy programming and viewing
- Keypad has the ability to be wall mounted with optional wall kit (sold separately)
- Intuitive interface/HMI simplifies programming and use
- Top-mounted field wiring compartment for easy access and installation
- 8 programmable speed settings and built in timer
- Totally-enclosed fan-cooled design (TEFC) for quiet operation
- Built-in diagnostics protect the pump for longer service life
- Interfaces perfectly with Pentair automation systems
- WEF 7.5 THP 3.95

This product may be protected by one or more of the following US Patents and all corresponding foreign counterparts: 7,686,587; 7,854,597; 8,043,070; 8,469,675; 8,573,952; D568,340; D606,562; D611,430

IntelliFlo i1 Variable Speed pump has a unique hydraulic platform designed for compliance in specific geographical areas with certain flow rates. IntelliFlo i1 pump provides all the features as standard IntelliFlo pumps but is engineered to be limited to the flow rate of a 1-HP pump. It also has a max amp rating of 7 amps for easy retrofits with limited existing wire gauge size.

CALIFORNIA PROPOSITION 65 WARNING

⚠️ **WARNING:** Cancer and Reproductive Harm.
 ⚠️ **AVERTISSEMENT:** Peut Causer le Cancer et des Dommages au Système Reproducteur.
 ⚠️ **ADVERTENCIA:** Cáncer y Daño Reproductivo.

www.p65warnings.ca.gov

Ordering Information

Product	Model	Voltage	Full Load Amps	HP	SF	SFHP	FREQ.	Primary Listings and Certifications ⁴	Port Size (NPT)	Carton Wt. (Lbs.)
ENERGY EFFICIENT VARIABLE SPEED FULL RATED										
011059	IntelliFlo i1	230V	7.3	1.0	3.95	3.95	50hz/60hz	UL ¹ , NSF ² , APSP ³	2 in. x 2 in.	55
ACCESSORIES										
521109	IntelliCom 2 - Rated 9 - 30 V DC with 4 inputs									1
350122	Automation Communication Cable for IntelliFlo - Included with pump									2
357156	Chemical Resistant Lid									1
356904Z	Optional Keypad Wall Mount Kit									2

¹ 'UL' indicates that pump bears a specific UL mark signifying evaluation to U.S. Standards UL1081 for Permanently Connected Swimming Pool and Spa Pumps and to Canadian Standards CAN/CSA C22.2 No. 108-01 Liquid Pumps For Swimming Pools Only (Enclosure 3).

² 'NSF' indicates that pump bears a mark signifying evaluation to NSF Standard 50 For Self-Priming Centrifugal Pumps For Swimming Pools Only.

³ 'APSP' Pump has been evaluated to ANSI/APSP/ICC-15 and California Title 20 and is certified to use on Residential Swimming Pool Filtration Systems.

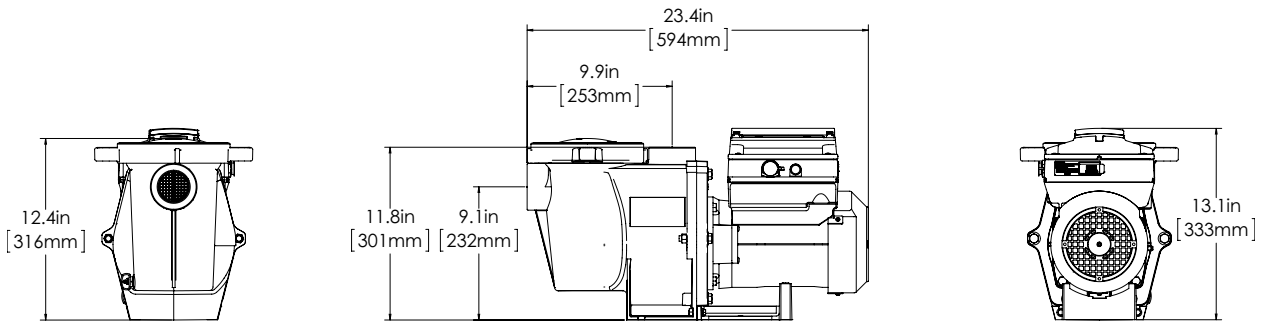
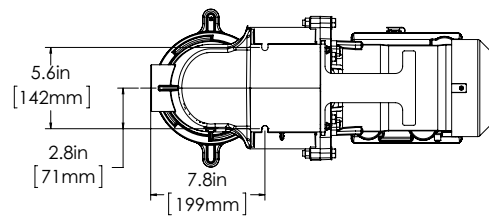
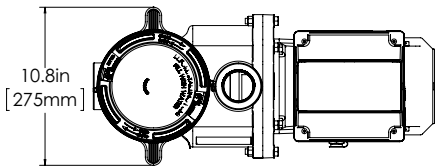
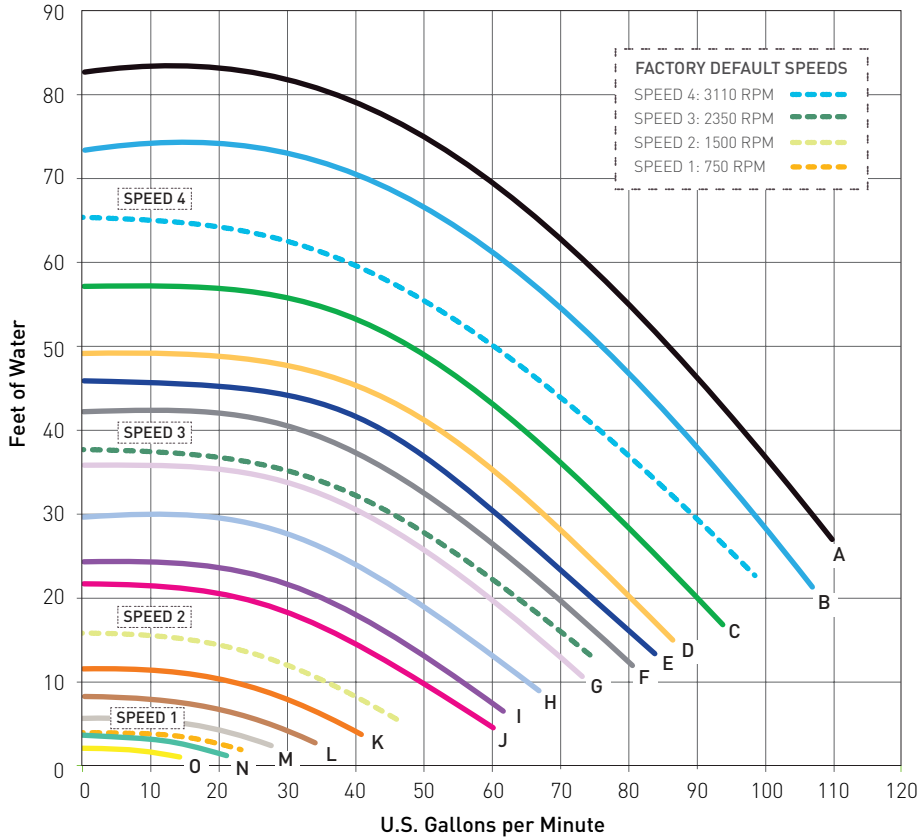
⁴ Product may have been evaluated to other state and local regulatory standards. Listing status may change. Always confirm status with appropriate agency if in doubt.

Refer to catalog page 50 for a selection of 2-Pole GFCI breakers which offer 6 milliamp personnel protection while meeting 2008 to current NEC Standards for Pool Pumps.

INTELLIFLO® i1

VARIABLE SPEED PUMP (CONT'D)

Dimensions and Performance



See page 509 for replacement parts.

WHISPERFLOXF® HIGH PERFORMANCE PUMPS



WhisperFloXF Pump

Developed using the most advanced engineering tools available - CFD (Computational Fluid Dynamics) and FEA (Finite Element Analysis). The impeller design delivers high level of precision concentricity for increased efficiency. *Optional riser base for Challenger pump replacements. Part # 400012 available separately.

TEFC Super-Duty Single Speed Models are designated

TRADEGRADE
Product 022032, 022033, 022034



CALIFORNIA PROPOSITION 65 WARNING

⚠ WARNING: Cancer and Reproductive Harm.
⚠ AVERTISSEMENT: Peut Causer le Cancer et des Dommages au Système Reproducteur.
⚠ ADVERTENCIA: Cáncer y Daño Reproductivo.
www.p65warnings.ca.gov PN 201514

Ordering Information

Product	Model	Voltage	Full Load Amps	HP	SF	SFHP	Primary Listings and Certifications ⁴	Port Size (NPT)	Carton Wt. (Lbs.)	Curve Key
TEFC SUPER-DUTY SINGLE SPEED										
022032	XFET-8	208-230V	11.1-9.5	2	1.3	2.6	UL ¹ , NSF ²	2-1/2 x 2-1/2" OR 3 x 3"	57	D
022033	XFET-12	208-230V	14.6-12.7	3	1.15	3.45	UL ¹ , NSF ²	2-1/2 x 2-1/2" OR 3 x 3"	61	B
022034	XFET-20	208-230V	20.0-18.8	5	1.0	5.0	UL ¹ , NSF ²	2-1/2 x 2-1/2" OR 3 x 3"	67	A
EFFICIENT SINGLE SPEED FULL RATED										
022009	XFE-8	208V-230V	11.0-10.2	2	1.3	2.6	UL ¹ , NSF ²	2-1/2 x 2-1/2" OR 3 x 3"	55	D
022010	XFE-12	208V-230V	15.0-13.6	3	1.15	3.45	UL ¹ , NSF ²	2-1/2 x 2-1/2" OR 3 x 3"	60	B
022011	XFE-20	208V-230V	22.0-23.0	5	1.0	5.0	UL ¹ , NSF ²	2-1/2 x 2-1/2" OR 3 x 3"	72	A
STANDARD SINGLE SPEED FULL RATED										
022012	XF-8	208V-230V	11.5-11.0	2	1.3	2.6	UL ¹ , NSF ²	2-1/2 x 2-1/2" OR 3 x 3"	55	D
022013	XF-12	230V	14.1	3	1.15	3.45	UL ¹ , NSF ²	2-1/2 x 2-1/2" OR 3 x 3"	60	C
EFFICIENT TWO-SPEED FULL RATED										
022007	XFDS-8	230V	11.0-1.8	2.0/25	1.3	2.6/0.33	UL ¹ , NSF ² , APSP ³	2-1/2 x 2-1/2" OR 3 x 3"	55	D, F
022008	XFDS-12	230V	15.0-2.6	3.0/38	1.15	3.45/0.44	UL ¹ , NSF ² , APSP ³	2-1/2 x 2-1/2" OR 3 x 3"	60	C, E
EFFICIENT TWO-SPEED UP RATED										
022026	XFDS-30	230V	11.0-1.8	2.5/31	1.04	2.6/32	UL ¹ , NSF ² , APSP ³	2-1/2 x 2-1/2" OR 3 x 3"	60	D, F
STANDARD SINGLE SPEED UP RATED										
022027	XF-30	208V-230V	11.5-11.0	2.5	1.04	2.6	UL ¹ , NSF ²	2-1/2 x 2-1/2" OR 3 x 3"	55	D
EFFICIENT SINGLE SPEED UP RATED										
022028	XFE-30	208V-230V	11.0-10.2	2.5	1.04	2.6	UL ¹ , NSF ²	2-1/2 x 2-1/2" OR 3 x 3"	55	D
THREE-PHASE SUPER-DUTY										
022017	XFK-8	208-230V/460V	7.5-7.2/3.6	2	1.3	2.6	UL ¹ , NSF ²	2-1/2 x 2-1/2" OR 3 x 3"	60	I
022018	XFK-12	208-230V/460V	9.8-9.4/4.7	3	1.15	3.45	UL ¹ , NSF ²	2-1/2 x 2-1/2" OR 3 x 3"	60	H
022019	XFK-20	208-230V/460V	13.9-13.1/6.6	5	1.0	5.0	UL ¹ , NSF ²	2-1/2 x 2-1/2" OR 3 x 3"	72	G
ACCESSORIES										
400012	XF Riser Base - Simplifies installation of XF-series pumps in applications where Challenger pumps are being replaced.									

¹ 'UL' indicates that pump bears a UL mark signifying evaluation to U.S. Standards UL1081 for Permanently Connected Swimming Pool and Spa Pumps and to Canadian Standards CAN/CSA C22.2 No. 108-01 Liquid Pumps For Swimming Pools Only (Enclosure 3).

² 'NSF' indicates that pump bears a mark signifying evaluation to NSF Standard 50 For Self-Priming Centrifugal Pumps For Swimming Pools, Spas and Hot Tubs.

³ 'APSP' Pump has been evaluated to ANSI/APSP/ICC-15 and California Title 20 and is certified to use on Residential Swimming Pool Filtration Systems.

⁴ Product may have been evaluated to other state and local regulatory standards. Listing status may change. Always confirm status with appropriate agency if in doubt.

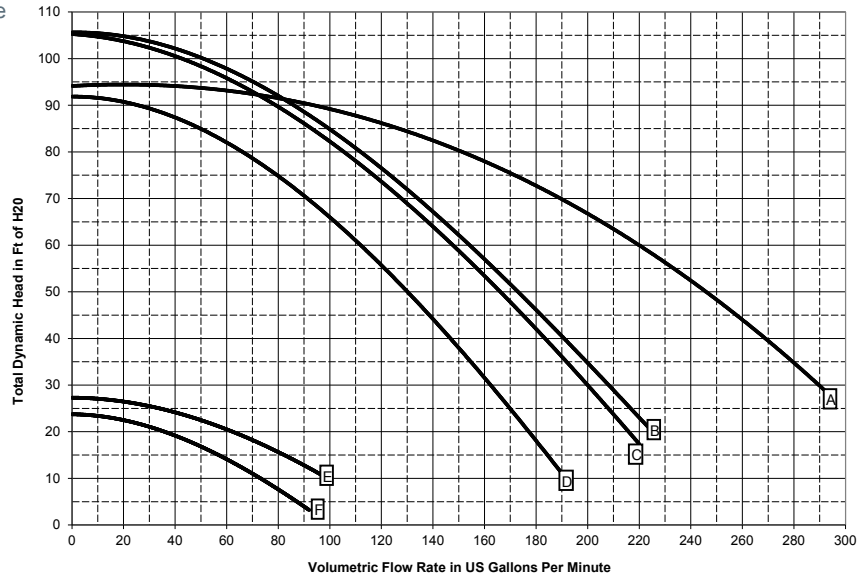
• **Pumps and replacement motors that are single speed and one (1) Total HP or greater cannot be sold, offered for sale, or installed in a residential pool for filtration use in California, Title 20 CCR sections 1601-1609.**

WHISPERFLOXF[®]

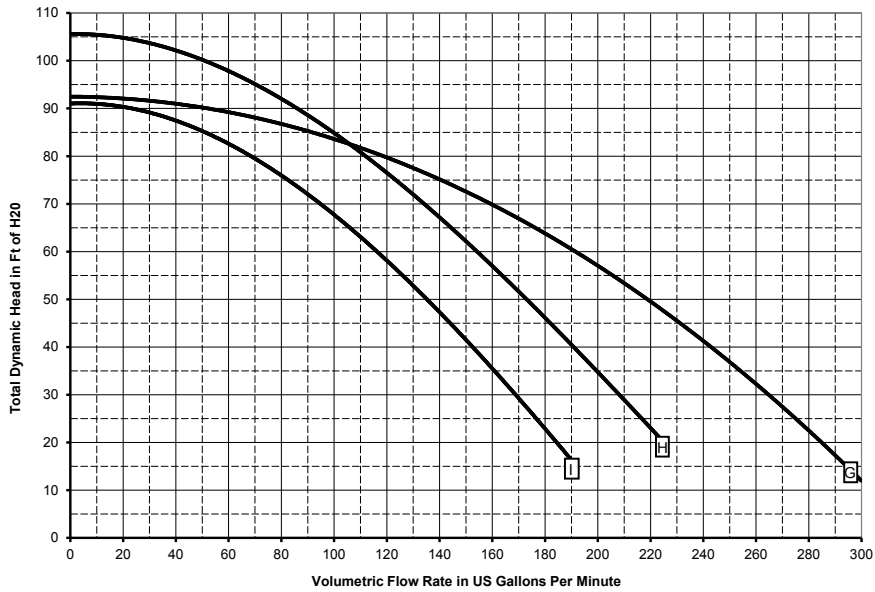
HIGH PERFORMANCE PUMPS (CONT'D)

Dimensions and Performance

1 & 2-Speed
Performance
Curve

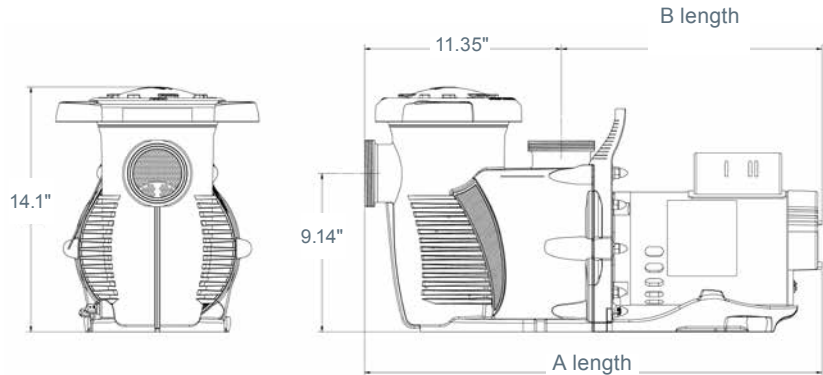


3 Phase
Performance
Curve



B- VARYING LENGTH				
HP	STD EFF	EE	1PH TEFC	3PH
2	15.04"	16.04"	13.05"	12.35"
2.5	15.04"	16.04"	-	-
3	16.04"	16.29"	13.65"	13.05"
5	-	16.78"	14.55"	13.88"

A- VARYING LENGTH				
HP	STD EFF	EE	1PH TEFC	3PH
2	26.39"	27.39"	24.40"	23.70"
2.5	26.39"	27.39"	-	-
3	27.39"	27.64"	25.00"	24.40"
5	-	28.13"	25.90"	25.23"



See page 511–512 for replacement parts.

WHISPERFLO®

HIGH PERFORMANCE PUMPS



WhisperFlo Pump

Robust thermoplastic with the Cam & Ramp™ See-Through Lid design. Self-priming, high flow with Funnel-Flo™ Diffusers. 2 in. suction and discharge ports. Motor features threaded shaft and durable commercial duty 56 frame motor.

TEFC Super-Duty Single Speed Models are designated

TRADEGRADE

Product 011527, 011528, 011529, 011530

Featured Highlights

- Oversized strainer basket and volute —industry standard in pool pumps
- TEFC Motors available
- Lower HP's deliver higher performance than industry standard
- Compatible with all cleaning systems, various filters and jet action spas
- Heavy-duty/durable construction is designed for long life
- Designed for residential and commercial applications

CALIFORNIA PROPOSITION 65 WARNING
 ⚠️ **WARNING:** Cancer and Reproductive Harm.
 ⚠️ **AVERTISSEMENT:** Peut Causer le Cancer et des Dommages au Système Reproducteur.
 ⚠️ **ADVERTENCIA:** Cáncer y Daño Reproductivo.
www.p65warnings.ca.gov

Ordering Information

Product	Model	Voltage	Full Load Amps	HP	SF	SFHP	Primary Listings and Certifications ⁴	Port Size (NPT)	Carton Wt. (Lbs.)	Curve Key
TEFC SUPER-DUTY SINGLE SPEED										
011527	WFET-4	115/208-230	15.1/8.5-7.7	1	1.65	1.65	UL ¹ , NSF ²	2 in. x 2 in.	48	G
011528	WFET-6	208-230	10.3-9.1	1-1/2	1.47	2.21	UL ¹ , NSF ²	2 in. x 2 in.	51	H
011529	WFET-8	208-230	11.7-10.3	2	1.3	2.6	UL ¹ , NSF ²	2 in. x 2 in.	55	I
011530	WFET-12	208-230	14.6-12.7	3	1.15	3.45	UL ¹ , NSF ²	2 in. x 2 in.	59	J
ENERGY EFFICIENT SINGLE SPEED FULL RATED										
011511	WFE-2	115/208-230	8.8/4.5-4.4	1/2	1.90	0.95	UL ¹ , NSF ² , APSP ³	2 in. x 2 in.	41	E
011512	WFE-3	115/208-230	12.8/7.0-6.4	3/4	1.67	1.25	UL ¹ , NSF ²	2 in. x 2 in.	41	F
011513	WFE-4	115/208-230	14.8/7.8-7.4	1	1.65	1.65	UL ¹ , NSF ²	2 in. x 2 in.	46	G
011514	WFE-6	208-230	9.6-8.8	1-1/2	1.47	2.20	UL ¹ , NSF ²	2 in. x 2 in.	54	H
011515	WFE-8	208-230	11.0-10.2	2	1.30	2.60	UL ¹ , NSF ²	2 in. x 2 in.	55	I
011516	WFE-12	208-230	15.0-13.6	3	1.15	3.45	UL ¹ , NSF ²	2 in. x 2 in.	56	J
ENERGY EFFICIENT SINGLE SPEED UP RATED										
011517	WFE-24	115/208-230	12.8/7.0-6.4	1	1.25	1.25	UL ¹ , NSF ²	2 in. x 2 in.	41	F
011518	WFE-26	115/208-230	14.8/7.8-7.4	1-1/2	1.10	1.65	UL ¹ , NSF ²	2 in. x 2 in.	46	G
011519	WFE-28	208-230	9.6-8.8	2	1.10	2.20	UL ¹ , NSF ²	2 in. x 2 in.	54	H
011520	WFE-30	208-230	11.0-10.2	2-1/2	1.04	2.60	UL ¹ , NSF ²	2 in. x 2 in.	55	I
STANDARD EFFICIENCY SINGLE SPEED FULL RATED										
011578	WF-2	115/208-230	10.8/5.2-5.4	1/2	1.95	0.95	UL ¹ , NSF ² , APSP ³	2 in. x 2 in.	41	E
011579	WF-3	115/208-230	13.2/6.2-6.6	3/4	1.67	1.25	UL ¹ , NSF ²	2 in. x 2 in.	41	F
011580	WF-4	115/208-230	16.0/7.8-8.0	1	1.65	1.65	UL ¹ , NSF ²	2 in. x 2 in.	46	G
011581	WF-6	115/208-230	21.0/10.0-10.5	1-1/2	1.50	2.25	UL ¹ , NSF ²	2 in. x 2 in.	54	H
011582	WF-8	208-230	11.5-11.0	2	1.30	2.60	UL ¹ , NSF ²	2 in. x 2 in.	55	I
011583	WF-12	230	14.1	3	1.15	3.45	UL ¹ , NSF ²	2 in. x 2 in.	56	J
STANDARD EFFICIENCY SINGLE SPEED UP RATED										
011771	WF-23	115/208-230	10.8/5.2-5.4	3/4	1.24	0.93	UL ¹ , NSF ²	2 in. x 2 in.	41	E
011772	WF-24	115/208-230	13.2/6.2-6.6	1	1.24	1.24	UL ¹ , NSF ²	2 in. x 2 in.	41	F
011773	WF-26	115/208-230	16.0/7.8-8.0	1-1/2	1.10	1.65	UL ¹ , NSF ²	2 in. x 2 in.	46	G
011774	WF-28	115/208-230	21.0/10.0-10.5	2	1.10	2.20	UL ¹ , NSF ²	2 in. x 2 in.	54	H
011775	WF-30	208-230	11.5-11.0	2-1/2	1.04	2.60	UL ¹ , NSF ²	2 in. x 2 in.	55	I
THREE-PHASE SUPER-DUTY										
011641	WFK-4	208-230/460	4.9-4.5/2.3	1	1.65	1.65	UL ¹ , NSF ²	2 in. x 2 in.	46	G
011642	WFK-6	208-230/460	6.4-6.3/3.2	1-1/2	1.47	2.21	UL ¹ , NSF ²	2 in. x 2 in.	48	H
011643	WFK-8	208-230/460	7.5-7.2/3.6	2	1.30	2.60	UL ¹ , NSF ²	2 in. x 2 in.	51	I
011644	WFK-12	208-230/460	9.8-9.4/4.7	3	1.15	3.45	UL ¹ , NSF ²	2 in. x 2 in.	58	J

WHISPERFLO®

HIGH PERFORMANCE PUMPS (CONT'D)

Product	Model	Voltage	Full Load Amps	HP	SF	SFHP	Primary Listings and Certifications ⁴	Port Size (NPT)	Carton Wt. (Lbs.)	Curve Key
EFFICIENT TWO SPEED 3450 RPM, LOW SPEED 1725 RPM FULL RATED										
012530	WFDS-3	115	14.6/4.7	3/4	1.67	1.25	UL ¹ , NSF ² , APSP ³	2 in. x 2 in.	42	A, F
011486	WFDS-4	230	7.8/3.0	1	1.65	1.65	UL ¹ , NSF ² , APSP ³	2 in. x 2 in.	47	B, G
011522	WFDS-6	230	10.0/3.5	1-1/2	1.47	2.20	UL ¹ , NSF ² , APSP ³	2 in. x 2 in.	55	C, H
011523	WFDS-8	230	11.0/4.0	2	1.30	2.60	UL ¹ , NSF ² , APSP ³	2 in. x 2 in.	56	D, I
EFFICIENT TWO SPEED 3450 RPM, LOW SPEED 1725 RPM UP RATED										
012485	WFDS-24	115	14.6/4.7	1	1.25	1.25	UL ¹ , NSF ² , APSP ³	2 in. x 2 in.	42	A, F
012518	WFDS-26	230	7.8/3.0	1-1/2	1.10	1.65	UL ¹ , NSF ² , APSP ³	2 in. x 2 in.	47	B, G
011524	WFDS-28	230	10.0/3.5	2	1.10	2.20	UL ¹ , NSF ² , APSP ³	2 in. x 2 in.	55	C, H
011525	WFDS-30	230	11.0/4.0	2-1/2	1.04	2.60	UL ¹ , NSF ² , APSP ³	2 in. x 2 in.	56	D, I
EFFICIENT SINGLE PHASE - 50HZ INPUT POWER FREQUENCY										
347926	WFEL-2	240/120	7.5/15.0	1/2	1.10	0.55		2 in. x 2 in.	41	
347927	WFEL-3	240/120	7.5/15.0	3/4	1.10	0.83		2 in. x 2 in.	41	
347928	WFEL-4	240/120	6.9/13.8	1	1.10	1.10		2 in. x 2 in.	46	
347929	WFEL-6	240	7.2	1.5	1.10	1.65		2 in. x 2 in.	54	
347930	WFEL-8	240	9.4	2	1.10	2.20		2 in. x 2 in.	55	
ACCESSORIES										
11201-0154	2 in. x 2 in. Union (2 in. NPT male x 2 in. female NPT quick connect) * Note: two required per pump (sold individually)									
357156	Cover/Lid, Chemical Resistant, CAM & RAMP									

¹ 'UL' indicates that pump bears a UL mark signifying evaluation to U.S. Standards UL1081 for Permanently Connected Swimming Pool and Spa Pumps and to Canadian Standards CAN/CSA C22.2 No. 108-01 Liquid Pumps For Swimming Pools Only (Enclosure 3).

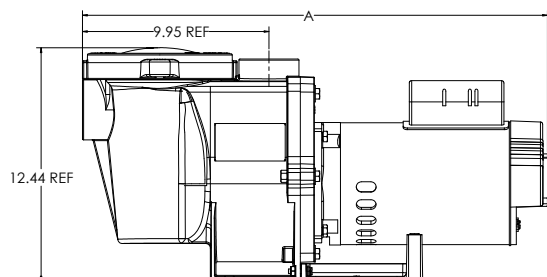
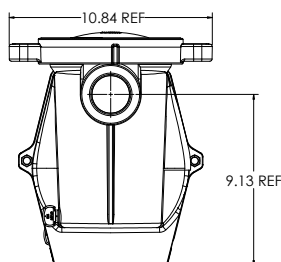
² 'NSF' indicates that pump bears a mark signifying evaluation to NSF Standard 50 For Self-Priming Centrifugal Pumps For Swimming Pools, Spas and Hot Tubs.

³ 'APSP' Pump has been evaluated to ANSI/APSP/ICC-15 and California Title 20 and is certified to use on Residential Swimming Pool Filtration Systems.

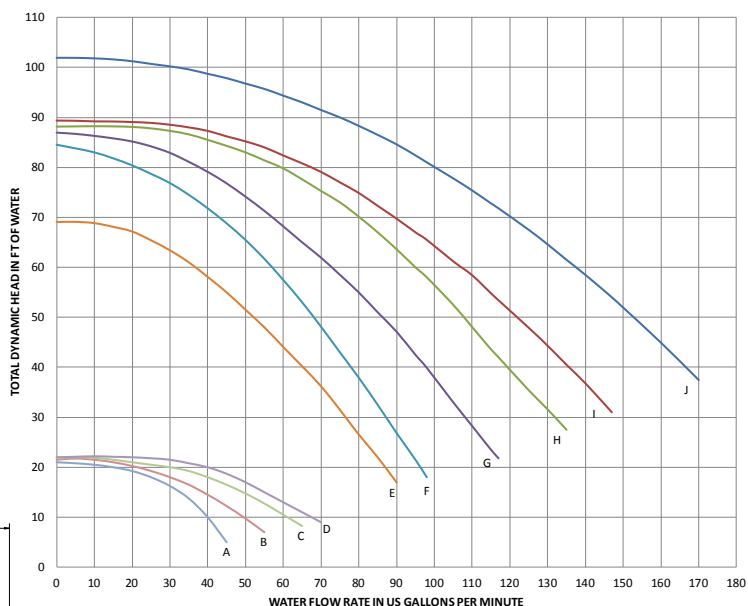
⁴ Product may have been evaluated to other state and local regulatory standards. Listing status may change. Always confirm status with appropriate agency if in doubt.

• Pumps and replacement motors that are single speed and one (1) Total HP or greater cannot be sold, offered for sale, or installed in a residential pool for filtration use in California, Title 20 CCR sections 1601-1609.

A- VARYING LENGTH				
HP	STD EFF	EE	1PH TEFC	3PH
.5	23.66	24.41		
.75	23.66	24.41		
1	24.03	24.66	21.71	21.5
1.5	25.66	25.16	22.16	21.5
2	25.66	25.66	22.51	21.81
2.5	25.66	25.66		
3	25.66	25.66	23.21	22.61



Dimensions and Performance



See page 513-514 for replacement parts.

CHALLENGER®

HIGH FLOW PUMPS



Challenger High Flow Pump



Featured Highlights

- See-through Lid
- Large Strainer Basket
- User-friendly removable drain plugs
- Clamp band for easy service
- Most diverse offering in voltage and horsepower

Fiberglass Reinforced Pump with Closed Impeller, Single Speed. Pump components are custom molded thermoplastic for superior strength and durability. All components developed and perfected through Computer Assisted Design for maximum flow performance at minimum operating expense.

TEFC Super-Duty Single Speed Models are designated

TRADEGRADE

Product 348158, 348159, 348160

CALIFORNIA PROPOSITION 65 WARNING

⚠ **WARNING:** Cancer and Reproductive Harm.
 ⚠ **AVERTISSEMENT:** Peut Causer le Cancer et des Dommages au Système Reproducteur.
 ⚠ **ADVERTENCIA:** Cáncer y Daño Reproductivo.
www.p65warnings.ca.gov

Ordering Information

Product	Model	Voltage	Full Load Amps	HP	SF	SFHP	Primary Listings and Certifications ⁵	Port Size (NPT)	Carton Wt. (Lbs.)	Curve Key
TEFC SUPER-DUTY SINGLE SPEED										
348158	CFII N1 1FET	115/208-230	15.1/8.5-7.7	1	1.65	1.65	UL ¹ , NSF ²	2 in. x 2 in	44	C
348159	CFII N1 1-1/2FET	208-230	10.3-9.1	1-1/2	2.21	2.21	UL ¹ , NSF ²	2 in. x 2 in	59	D
348160	CFII N1 2FET	208-230	11.7-10.3	2	2.6	2.6	UL ¹ , NSF ²	2 in. x 2 in	51	E
EFFICIENT SINGLE SPEED FULL RATED										
342235	CFII-N1-1FE	115/208-230	14.8/7.8-7.4	1	1.65	1.65	UL ¹ , NSF ² , CSA ³	2 in. x 2 in.	48	C
342236	CFII-N1-1-1/2FE	208-230	9.6-8.8	1-1/2	1.47	2.20	UL ¹ , NSF ² , CSA ³	2 in. x 2 in.	49	D
342238	CFII-N1-2FE	208-230	11.0-10.2	2	1.30	2.60	UL ¹ , NSF ² , CSA ³	2 in. x 2 in.	55	E
STANDARD SINGLE SPEED FULL RATED										
342232	CFII-N1-1/2F	115/208-230	10.8/5.2-5.4	1/2	1.90	0.95	UL ¹ , NSF ² , CSA ³ , APSP ⁴	2 in. x 2 in.	37	A
342233	CFII-N1-3/4F	115/208-230	13.2/6.2-6.6	3/4	1.67	1.25	UL ¹ , NSF ² , CSA ³	2 in. x 2 in.	39	B
342234	CFII-N1-1F	115/208-230	16.0/7.8-8.0	1	1.65	1.65	UL ¹ , NSF ² , CSA ³	2 in. x 2 in.	41	C
342231	CFII-N1-1.5F	115/208-230	21.0/10.0-10.5	1-1/2	1.50	2.20	UL ¹ , NSF ²	2 in. x 2 in.	49	D
342248	CFII-N1-2F	208-230	11.5-11.0	2	1.30	2.60	UL ¹ , NSF ² , CSA ³	2 in. x 2 in.	55	E
STANDARD SINGLE SPEED UP RATED										
343232	CFII-N1-3/4A	115/230	10.8/5.2-5.4	3/4	1.25	0.95	UL ¹ , CSA ³ , APSP ⁴	2 in. x 2 in.	37	A
343233	CFII-N1-1A	115/230	13.2/6.2-6.6	1	1.25	1.25	UL ¹ , CSA ³	2 in. x 2 in.	39	B
343234	CFII-N1-1-1/2A	115/230	16.0/7.8-8.0	1-1/2	1.10	1.65	UL ¹ , CSA ³	2 in. x 2 in.	41	C
343240	CFII-N1-2A	115/230	21.0/10.0-10.5	2	1.10	2.20	UL ¹ , CSA ³	2 in. x 2 in.	49	D
343229	CFII-N1-2-1/2A	208-230	11.5-11.0	2 -1/2	1.04	2.60	UL ¹	2 in. x 2 in.	55	E

¹ 'UL' indicates that pump bears a specific UL mark signifying evaluation to U.S. Standards UL1081 for Permanently Connected Swimming Pool and Spa Pumps and to Canadian Standards CAN/CSA C22.2 No. 108-01 Liquid Pumps For Swimming Pools And Spas. (Enclosure 3).

² 'NSF' indicates that pump bears a mark signifying evaluation to NSF Standard 50 For Self-Priming Centrifugal Pumps For Swimming Pools, Spas and Hot Tubs.

³ 'CSA' indicates that pump bears a CSA mark signifying evaluation to Canadian Standards CAN/CSA C22.2 No. 108-01 Liquid Pumps For Swimming Pools And Spas. (Enclosure 3).

⁴ 'APSP' Pump has been evaluated to ANSI/APSP/ICC-15 and California Title 20 and is certified to use on Residential Swimming Pool Filtration Systems.

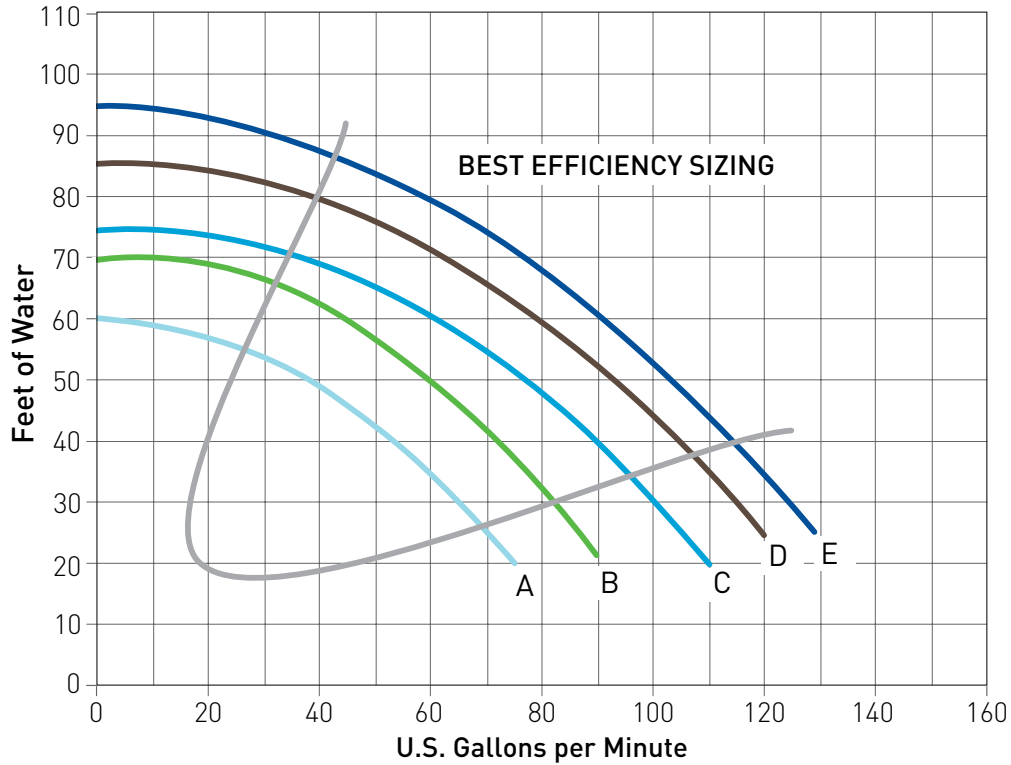
⁵ Product may have been evaluated to other state and local regulatory standards. Listing status may change. Always confirm status with appropriate agency if in doubt.

- **Pumps and replacement motors that are single speed and one (1) Total HP or greater cannot be sold, offered for sale, or installed in a residential pool for filtration use in California, Title 20 CCR sections 1601-1609.**

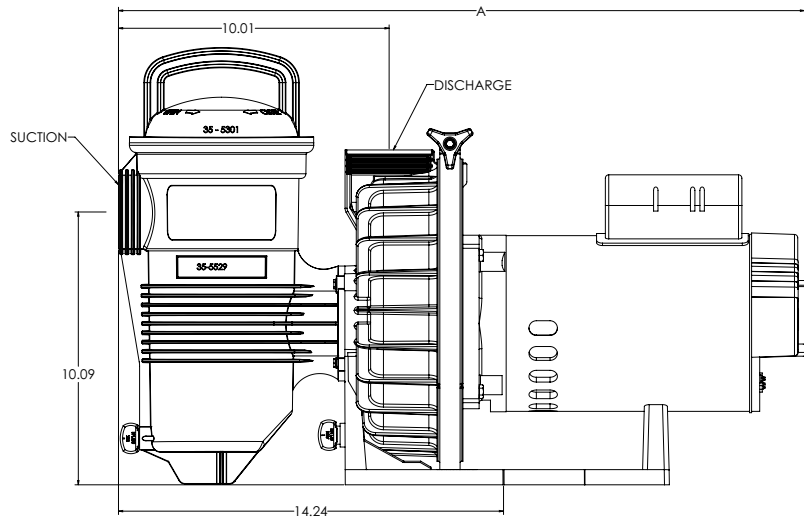
CHALLENGER®

HIGH FLOW PUMPS (CONT'D)

Dimensions and Performance



A- VARYING LENGTH			
HP	STD EFF	EE	1PH TEFC
.5	24.43		
.75	24.43		
1	24.81	25.43	22.54
1.5	26.43	25.93	22.99
2	26.43	26.43	23.44
2.5	26.43		



See page 515–516 for replacement parts.

CHALLENGER®

HIGH PRESSURE PUMPS



Challenger High Pressure Pump

Thermoplastic Pump with Closed Impeller, Single Speed Pump components are custom molded thermoplastic for superior strength and durability.

TEFC Super-Duty Single Speed Models are designated

TRADEGRADE

Product 348154, 348155, 348156, 348157

Featured Highlights

- Standard 2 in. suction and discharge ports for operating efficiency
- Extra-large strainer basket extends time between cleanings
- Transparent strainer pot lid with comfortable handle provides easy access to strainer basket
- Diffuser and impeller provide excellent high pressure performance for all types of demanding installations
- One-bolt stainless steel clamp removes easily to provide quick access for any required service
- Anti-spin-off impeller
- Power end can easily be removed for service or winterizing without disturbing piping or pump support base
- No tool required for removing thumbscrew drain plugs for draining and winterizing
- Internal components and 2 in. ports are designed to provide rapid priming and quiet operation

Ordering Information

Product	Model	Voltage	Full Load Amps	HP	SF	SFHP	Primary Listings and Certifications ⁵	Port Size (NPT)	Carton Wt. (Lbs.)	Curve Key
TEFC SUPER-DUTY SINGLE SPEED										
348154	CHII N1 1FET	115/208-230	15.1/8.5-7.7	1	1.65	1.65	UL ¹ , NSF ²	2 in. x 2 in.	44	I
348155	CHII N1 1-1/2FET	208-230	10.3-9.1	1-1/2	1.47	2.21	UL ¹ , NSF ²	2 in. x 2 in.	48	J
348156	CHII N1 2FET	208-230	11.7-10.3	2	1.3	2.6	UL ¹ , NSF ²	2 in. x 2 in.	51	K
348157	CHII N1 3FET	208-230	14.6-12.7	3	1.15	3.45	UL ¹ , NSF ²	2 in. x 2 in.	55	L
EFFICIENT SINGLE SPEED FULL RATED										
345212	CHII-N1-1/2FE	115/208-230	8.8/4.5-4.4	1/2	1.90	0.95	UL ¹ , NSF ² , APSP ⁴	2 in. x 2 in.	41	G
345213	CHII-N1-3/4FE	115/208-230	12.8/7.0-6.4	3/4	1.67	1.25	UL ¹ , NSF ² , CSA ³	2 in. x 2 in.	43	H
345205	CHII-N1-1FE	115/208-230	14.8/7.8-7.4	1	1.65	1.65	UL ¹ , NSF ²	2 in. x 2 in.	46	I
345206	CHII-N1-1-1/2FE	208-230	9.6-8.8	1-1/2	1.47	2.20	UL ¹ , NSF ²	2 in. x 2 in.	54	J
345208	CHII-N1-2FE	208-230	11.0-10.2	2	1.30	2.60	UL ¹ , NSF ²	2 in. x 2 in.	55	K
345209	CHII-N1-3FE	208-230	15.0-13.6	3	1.15	3.45	UL ¹ , NSF ²	2 in. x 2 in.	56	L
EFFICIENT SINGLE SPEED UP RATED										
346209	CHII N1 2-1/2AE	208-230	11.0-10.2	2-1/2	1.04	2.60	UL ¹	2 in. x 2 in.	55	K
STANDARD SINGLE SPEED FULL RATED										
345202	CHII-N1-1/2F	115/208-230	10.8/5.2-5.4	1/2	1.90	0.95	UL ¹ , NSF ² , CSA ³ , APSP ⁴	2 in. x 2 in.	41	G
345203	CHII-N1-3/4F	115/208-230	13.2/6.2-6.6	3/4	1.67	1.25	UL ¹ , NSF ² , CSA ³	2 in. x 2 in.	41	H
345204	CHII-N1-1F	115/208-230	16.0/7.8-8.0	1	1.65	1.65	UL ¹ , NSF ² , CSA ³	2 in. x 2 in.	41	I
345201	CHII-N1-1-1/2F	115/208-230	21.0/10.0-10.5	1-1/2	1.50	2.25	UL ¹ , NSF ²	2 in. x 2 in.	49	J
345218	CHII-N1-2F	208-230	11.5-11.0	2	1.30	2.60	UL ¹ , NSF ² , CSA ³	2 in. x 2 in.	55	K
345219	CHII-N1-3F	230	14.1	3	1.15	3.45	UL ¹ , NSF ²	2 in. x 2 in.	56	L
STANDARD SINGLE SPEED UP RATED										
346203	CHII-N1-3/4A	115/208-230	10.8/5.2-5.4	3/4	1.25	0.94	UL ¹ , CSA ³ , APSP ⁴	2 in. x 2 in.	41	G
346204	CHII-N1-1A	115/208-230	13.2/6.2-6.6	1	1.25	1.25	UL ¹ , CSA ³	2 in. x 2 in.	41	H
346206	CHII-N1-1-1/2A	115/208-230	16.0/7.8-8.0	1-1/2	1.10	1.65	UL ¹ , CSA ³	2 in. x 2 in.	41	I
346201	CHII-N1-2A	115/208-230	21.0/10.0-10.5	2	1.10	2.20	UL ¹ , CSA ³	2 in. x 2 in.	49	J
346249	CHII-N1-2-1/2A	208-230	11.5-11.0	2-1/2	1.04	2.60	UL ¹	2 in. x 2 in.	55	K

¹ 'UL' indicates that pump bears a specific UL mark signifying evaluation to U.S. Standards UL1081 for Permanently Connected Swimming Pool and Spa Pumps and to Canadian Standards CAN/CSA C22.2 No. 108-01 Liquid Pumps For Swimming Pools And Spas. (Enclosure 3).

² 'NSF' indicates that pump bears a mark signifying evaluation to NSF Standard 50 For Self-Priming Centrifugal Pumps For Swimming Pools, Spas and Hot Tubs.

³ 'CSA' indicates that pump bears a CSA mark signifying evaluation to Canadian Standards CAN/CSA C22.2 No. 108-01 Liquid Pumps For Swimming Pools And Spas. (Enclosure 3).

⁴ 'APSP' Pump has been evaluated to ANSI/APSP/ICC-15 and California Title 20 and is certified to use on Residential Swimming Pool Filtration Systems.

⁵ Product may have been evaluated to other state and local regulatory standards. Listing status may change. Always confirm status with appropriate agency if in doubt.

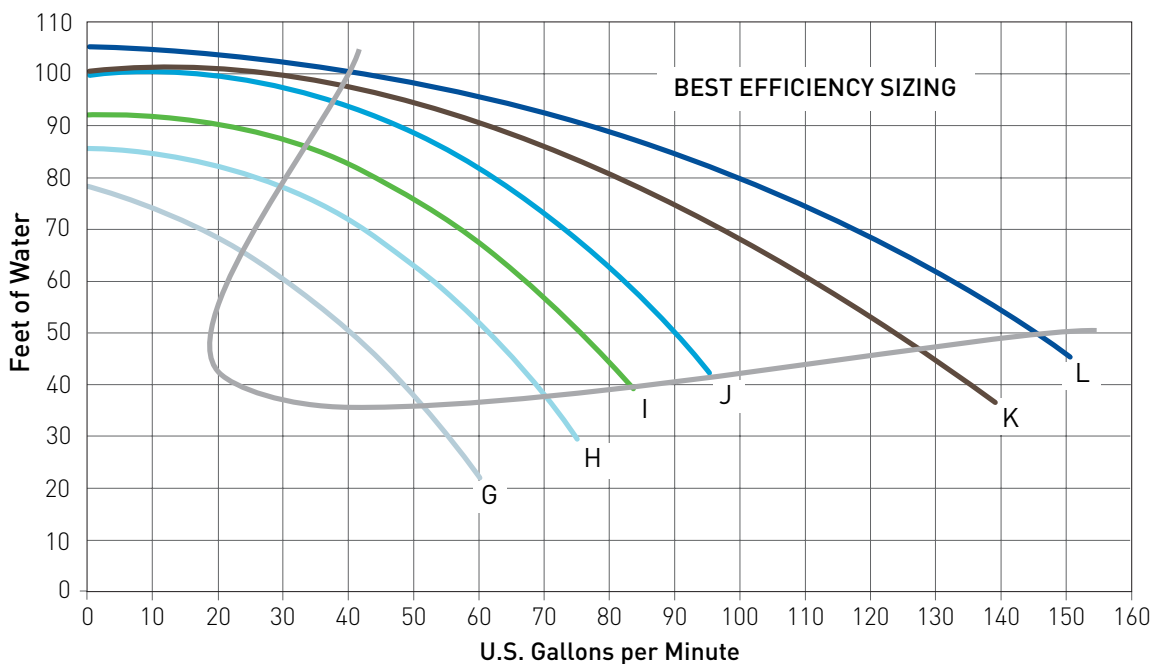
• **Pumps and replacement motors that are single speed and one (1) Total HP or greater cannot be sold, offered for sale, or installed in a residential pool for filtration use in California, Title 20 CCR sections 1601-1609.**

CHALLENGER®

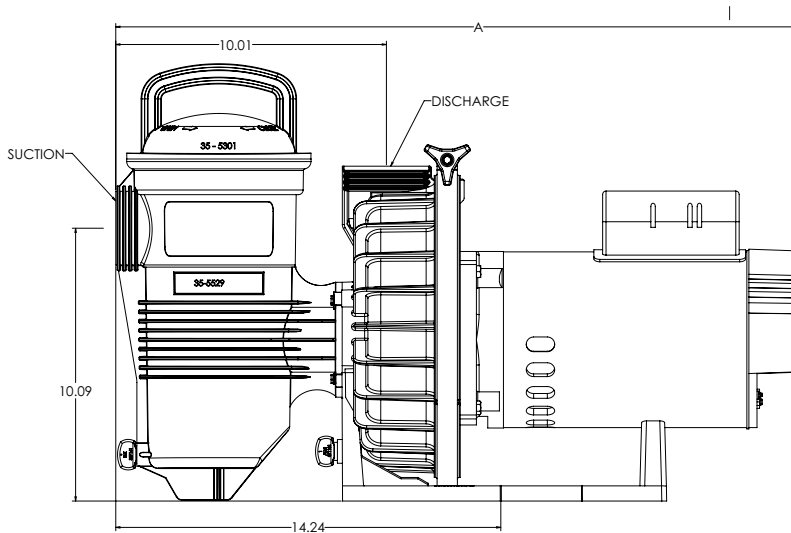
HIGH PRESSURE PUMPS (CONT'D)

Product	Model	Voltage	Full Load Amps	HP	SF	SFHP	Primary Listings and Certifications ⁴	Port Size (NPT)	Carton Wt. (Lbs.)	Curve Key
THREE-PHASE SUPER-DUTY										
345302	CHII-N1-1FE 3PH	208-230/460	4.9-4.5/2.3	1	1.65	1.65	NSF ²	2 in. x 2 in.	41	I
345303	CHII-N1-1-1/2FE 3PH	208-230/460	6.4-6.3/3.2	1-1/2	1.47	2.21	NSF ²	2 in. x 2 in.	43	J
345304	CHII-N1-2FE 3PH	208-230/460	7.5-7.2/3.6	2	1.30	2.60	NSF ²	2 in. x 2 in.	46	K
345305	CHII-N1-3FE 3PH	208-230/460	9.8-9.4/4.7	3	1.15	3.45	NSF ²	2 in. x 2 in.	49	L
ACCESSORIES										
354112	Chemical Resistant Lid								1	
UNIONS										
11201-0154	2 in. x 2 in. Union (2 in. NPT male x 2 in. female NPT quick connect) *Note: two required per pump (sold individually)									

Dimensions and Performance



A- VARYING LENGTH				
HP	STD EFF	EE	1PH TEFC	3PH
.5	24.43	25.18		
.75	24.43	25.18		
1	24.81	25.43	21.71	22.27
1.5	26.43	25.93	22.16	22.27
2	26.43	26.43	22.51	22.68
2.5	26.43	26.43		
3.0	26.43	26.43	23.21	23.38



CALIFORNIA PROPOSITION 65 WARNING
 ⚠️ **WARNING:** Cancer and Reproductive Harm.
 ⚠️ **AVERTISSEMENT:** Peut Causer le Cancer et des Dommages au Système Reproducteur.
 ⚠️ **ADVERTENCIA:** Cáncer y Daño Reproductivo.
www.p65warnings.ca.gov

See page 517-518 for replacement parts.

WATERFALL SPECIALTY PUMPS



WaterFall Specialty Pump

With Closed Impeller, Single-Speed. Custom designed for the specific demands of water features such as fountains, waterfalls, and other special pool features.

Featured Highlights

- Designed for low head applications that require 35–180 GPM's
- Pump components are custom molded of thermoplastic for superior strength, durability, and quiet operation
- Standard 2 in. suction and discharge ports for operating efficiency
- Extra-large strainer basket extends time between cleanings
- Transparent strainer pot lid with comfortable handle provides easy access to strainer basket

CALIFORNIA PROPOSITION 65 WARNING

⚠ **WARNING:** Cancer and Reproductive Harm.
 ⚠ **AVERTISSEMENT:** Peut Causer le Cancer et des Dommages au Système Reproducteur.
 ⚠ **ADVERTENCIA:** Cáncer y Daño Reproductivo.
www.p65warnings.ca.gov

Ordering Information

Product	Model	Voltage	Full Load Amps	Primary Listings and Certifications ²	Port Size (NPT)	Carton Wt. (Lbs.)	Curve Key
EFFICIENT SINGLE SPEED WITH STRAINER							
340350	AFP-75	115/230	9.6/4.8	UL ^{1,2}	2 in. x 2 in.	40	A
340351	AFP-120	115/230	9.6/4.8	UL ^{1,2}	2 in. x 2 in.	40	B
340352	AFP-150	115/230	12.0/6.0	UL ^{1,2}	2 in. x 2 in.	43	D
EFFICIENT SINGLE SPEED WITHOUT STRAINER							
340300 ³	AF-75 ³	115/230	9.6/4.8	UL ^{1,2}	2 in. x 2 in.	37	A
340301 ³	AF-120 ³	115/230	9.6/4.8	UL ^{1,2}	2 in. x 2 in.	37	C
340302 ³	AF-180 ³	115/230	12.0/6.0	UL ^{1,2}	2 in. x 2 in.	40	E

¹ 'UL' indicates that pump bears a specific UL mark signifying evaluation to U.S. Standards UL1081 for Permanently Connected Swimming Pool and Spa Pumps and to Canadian Standards CAN/CSA C22.2 No. 108-01 Liquid Pumps For Swimming Pools And Spas. (Enclosure 3).

² Product may have been evaluated to other state and local regulatory standards. Listing status may change. Always confirm status with appropriate agency if in doubt.

³ Flooded suction models do not contain priming/strainer pot.

• **Pumps and replacement motors that are single speed and one (1) Total HP or greater cannot be sold, offered for sale, or installed in a residential pool for filtration use in California, Title 20 CCR sections 1601-1609.**

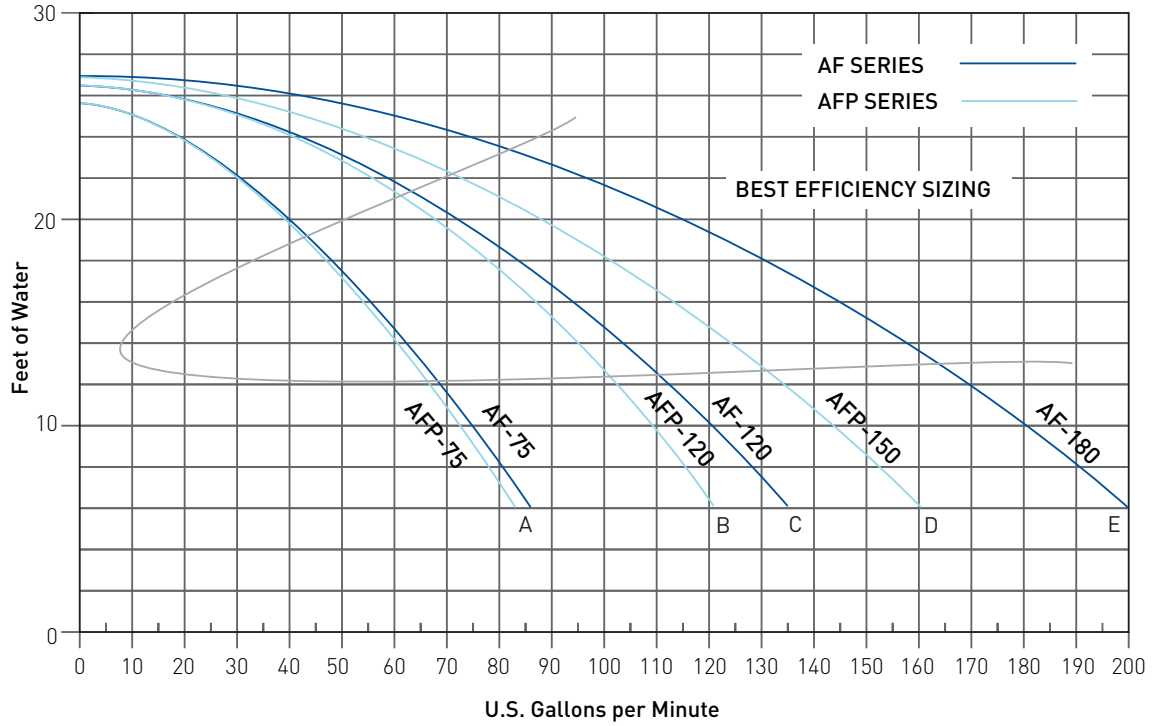


WaterFall Pump w/o Strainer
AF-75, 120, 180

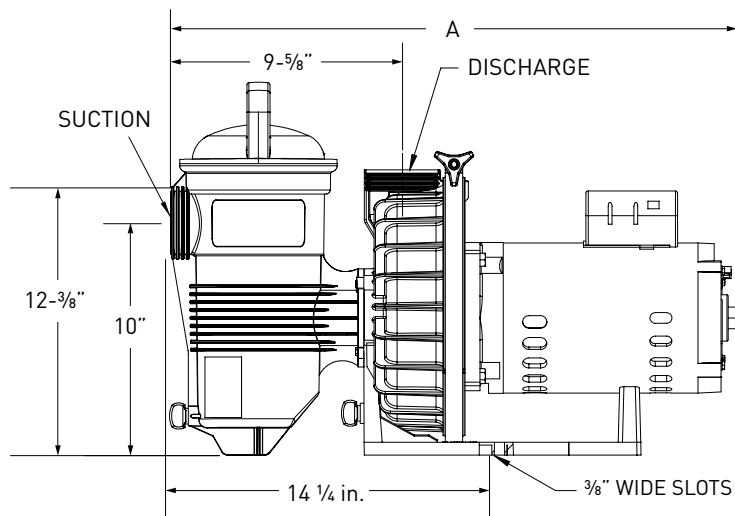
WATERFALL

SPECIALTY PUMPS (CONT'D)

Dimensions and Performance



FOR MODELS AFP 75, 120 & 150



"A" dimension varies from 23" to 24" depending upon model.
Suction and discharge connections are 2" NPT.

See page 553 for replacement parts.

SUPERFLO® VS

VARIABLE SPEED PUMPS



SuperFlo VS Variable Speed Pump



The SuperFlo VS Variable Speed Pumps bring the remarkable energy cost savings of variable speed technology to standard pools at an affordable price. They reduce energy costs by up to 80%. SuperFlo VS Variable Speed Pumps have an easy-to-read graphical display and a built-in timer so the pumps are easy to install and easy to use.

Featured Highlights

- Variable speed technology costs significantly less to operate
- Ideal for standard pools requiring up to 1.5 hp pump
- 110/230V and 50/60 Hz capability
- Real-time clock with 24-hour memory retention
- Simple, intuitive user interface is easy to program and operate
- Easy to access electrical connections for simple installation
- Three operating speed settings plus override capability
- SuperFlo pump by Pentair Aquatic Systems is a direct replacement for the Hayward® Super Pump® *
- 115-volt: WEF [7.3](#) THP [2.2](#)
- 230-volt: WEF [6.6](#) THP [2.2](#)

CALIFORNIA PROPOSITION 65 WARNING
 ⚠️ **WARNING:** Cancer and Reproductive Harm.
 ⚠️ **AVERTISSEMENT:** Peut Causer le Cancer et des Dommages au Système Reproducteur.
 ⚠️ **ADVERTENCIA:** Cáncer y Daño Reproductivo.
www.p65warnings.ca.gov P820571A

Ordering Information

Product	Model	Voltage	Full Load Amps	HP	SF	SFHP	Primary Listings and Certifications ⁴	Port Size (NPT)	Carton Wt. (Lbs.)
SUPERFLO VS VARIABLE SPEED									
342001	SuperFlo VS Variable Speed	115/208-230	13.2/12.0-11.5	1.5	1.46	2.2	UL ¹ , NSF ² , APSP ³	1-1/2 in.	53
ACCESSORIES									
353129Z	External Control Wiring Kit								

¹ 'UL' indicates that pump bears a UL mark signifying evaluation to U.S. Standards UL1081 for Permanently Connected Swimming Pool and Spa Pumps and to Canadian Standards CAN/CSA C22.2 No. 108-01 Liquid Pumps For Swimming Pools Only (Enclosure 3). UL 60730 Compliant.

² 'NSF' indicates that pump bears a mark signifying evaluation to NSF Standard 50 For Self-Priming Centrifugal Pumps For Swimming Pools Only.

³ 'APSP' Pump has been evaluated to ANSI/APSP/ICC-15 and California Title 20 and is certified to use on Residential Swimming Pool Filtration Systems.

⁴ Product may have been evaluated to other state and local regulatory standards. Listing status may change. Always confirm status with appropriate agency if in doubt.

• Savings based on variable speed pump compared to a single-speed pump running 12 hours per day at an average of \$0.16 per kWh in a 20,000 gallon pool. Actual savings may vary based on local utility rates, pool size, pump run time, pump horsepower, pump rpm, plumbing size and length, pump model, service factor and other hydraulic factors.

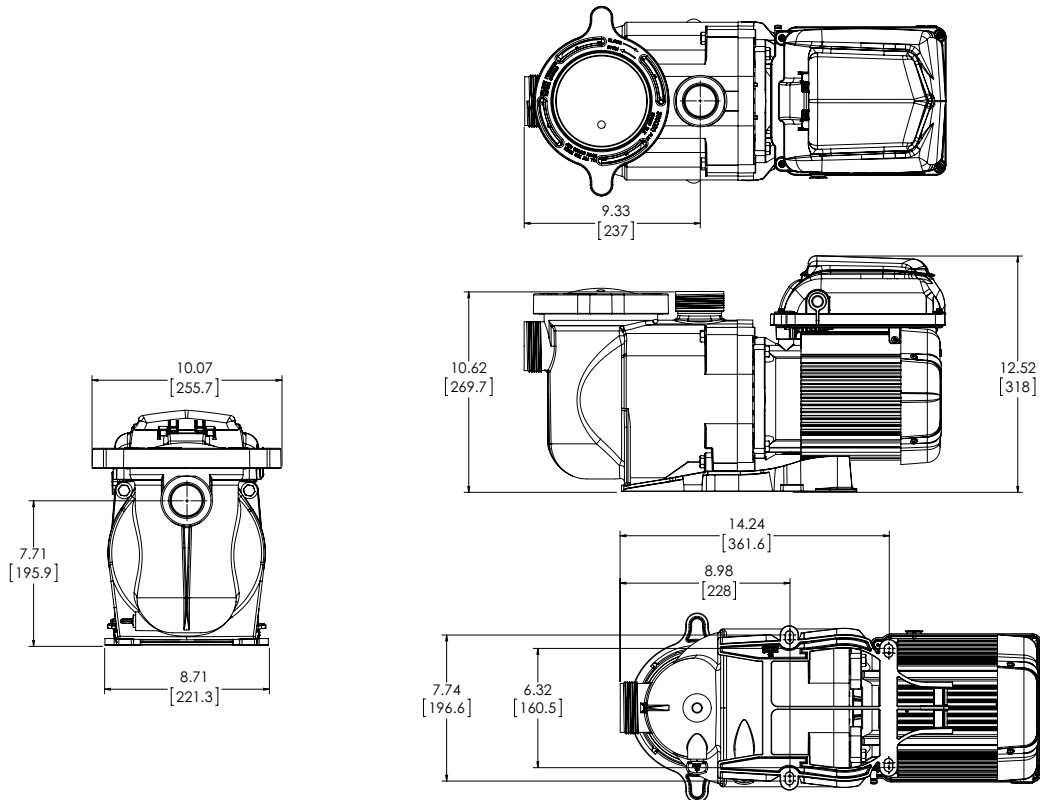
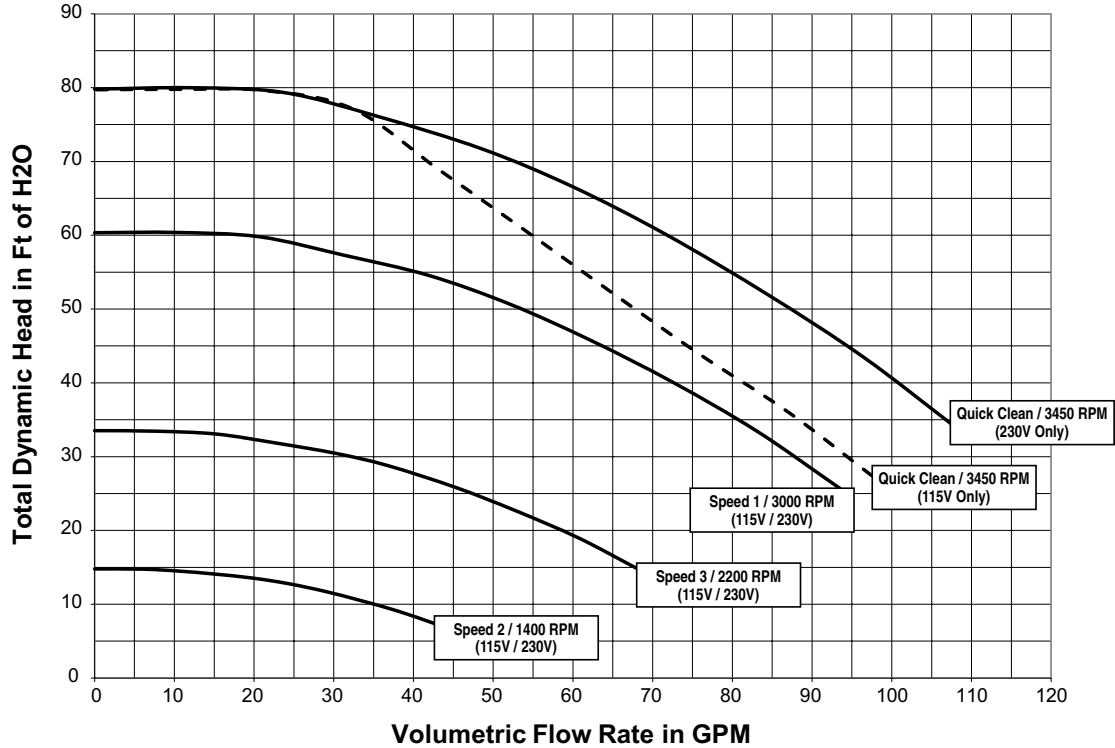
* Hayward® and Super Pump® are registered trademarks of Hayward Industries, Inc.

SUPERFLO® VS

VARIABLE SPEED PUMPS (CONT'D)

Dimensions and Performance

SuperFlo VS Performance Curves for Preset Speeds



See page 519 for replacement parts.

SUPERFLO®

HIGH PERFORMANCE PUMPS



SuperFlo Pump

SuperFlo pumps feature thick walled body parts, a heavy-duty 56 square flange motor, and highly engineered hydraulics, SuperFlo pumps' silent running capability and small footprint allow it to easily drop into a compact equipment pad.



Featured Highlights

- SuperFlo pump by Pentair Aquatic Systems is a direct replacement for the Hayward® Super Pump® *
- Extremely quiet operation
- Unionized fittings included (1-1/2 in. internal slip and 2 in. external slip)
- Cam and Ramp™ Lid
- Heavy-duty, high service factor 56 square flange motor
- Integral volute and pot reduce hydraulic noise

TEFC Super-Duty Single Speed Models are designated

TRADEGRADE

Product 348144, 348145, 348146

Ordering Information

Product	Model	Voltage	Full Load Amps	HP	SF	SFHP	Primary Listings and Certifications ⁴	Port Size (NPT)	Carton Wt. (Lbs.)	Curve Key
TEFC SUPER-DUTY SINGLE SPEED										
348144	SF N1 1FET	115/208-230	15.1/8.5-7.7	1	1.65	1.65	UL ¹ , NSF ²	1.5 in. x 1.5 in.	41	H
348145	SF N1 1-1/2FET	208-230	10.3-9.1	1-1/2	1.47	2.21	UL ¹ , NSF ²	1.5 in. x 1.5 in.	45	I
348146	SF N1 2FET	208-230	11.7-10.3	2	1.3	2.6	UL ¹ , NSF ²	1.5 in. x 1.5 in.	48	J
EFFICIENT SINGLE SPEED										
348021	SF-N1-1/2FE	115/208-230	8.8/4.5-4.4	1/2	1.90	0.95	UL ¹ , NSF ² , APSP ³	1.5 in. x 1.5 in.	38	E
348022	SF-N1-3/4FE	115/208-230	8.8/4.5-4.4	3/4	1.30	0.95	UL ¹ , NSF ²	1.5 in. x 1.5 in.	38	F
348023	SF-N1-1AE	115/208-230	12.8/7.0-6.4	1	1.25	1.25	UL ¹ , NSF ²	1.5 in. x 1.5 in.	38	G
348024	SF-N1-1-1/2AE	115/208-230	14.8/7.8-7.4	1-1/2	1.10	1.65	UL ¹ , NSF ²	1.5 in. x 1.5 in.	40	H
348025	SF-N1-2AE	208-230	9.6-8.8	2	1.10	2.20	UL ¹ , NSF ²	1.5 in. x 1.5 in.	48	I
348026	SF-N1-2-1/2AE	208-230	11.0-10.2	2-1/2	1.04	2.60	UL ¹ , NSF ²	1.5 in. x 1.5 in.	54	J
STANDARD SINGLE SPEED										
340036	SF-N1-1/2F	115/208-230	10.8/5.2-5.4	1/2	1.95	0.95	UL ¹ , NSF ² , APSP ³	1.5 in. x 1.5 in.	38	E
340037	SF-N1-3/4A	115/208-230	10.8/5.2-5.4	3/4	1.25	0.93	UL ¹ , NSF ²	1.5 in. x 1.5 in.	38	F
340038	SF-N1-1A	115/208-230	13.2/6.2-6.6	1	1.25	1.25	UL ¹ , NSF ²	1.5 in. x 1.5 in.	38	G
340039	SF-N1-1-1/2A	115/208-230	16.0/7.8-8.0	1.5	1.10	1.65	UL ¹ , NSF ²	1.5 in. x 1.5 in.	40	H
340040	SF-N1-2A	115/208-230	21.0/10.0-10.5	2	1.10	2.20	UL ¹ , NSF ²	1.5 in. x 1.5 in.	48	I
340041	SF-N1-2-1/2A	208-230	11.5-11.0	2-1/2	1.04	2.60	UL ¹ , NSF ²	1.5 in. x 1.5 in.	54	J
EFFICIENT TWO SPEED 3450 RPM, LOW SPEED 1725 RPM										
341111	SF-N2-3/4A	115	14.6/4.7	3/4	1.67	1.25	UL ¹ , NSF ² , APSP ³	1.5 in. x 1.5 in.	39	A, F
340042	SF-N2-1A	230	6.0/2.3	1	1.25	1.25	UL ¹ , NSF ² , APSP ³	1.5 in. x 1.5 in.	39	B, G
340043	SF-N2-1-1/2A	230	7.8/3.0	1-1/2	1.10	1.65	UL ¹ , NSF ² , APSP ³	1.5 in. x 1.5 in.	41	C, H
340044	SF-N2-2A	230	10.0/3.5	2	1.10	2.20	UL ¹ , NSF ² , APSP ³	1.5 in. x 1.5 in.	49	D, I
EFFICIENT SINGLE PHASE - 50HZ INPUT POWER FREQUENCY										
340098	SF-N1-1/2	240/120	7.5/15.0	1/2	1.1	0.55		1.5 in. x 1.5 in.	38	
340094	SF-N1-1-3/4	240/120	7.5/15.0	3/4	1.1	0.82		1.5 in. x 1.5 in.	40	
340095	SF-N1-1	240/120	6.9/13.8	1	1.1	1.10		1.5 in. x 1.5 in.	38	
340096	SF-N1-1-1/2	240	7.2	1-1/2	1.1	1.65		1.5 in. x 1.5 in.	40	
340097	SF-N1-2	240	9.4	2	1.1	2.20		1.5 in. x 1.5 in.	48	
ACCESSORIES										
350157	Union Kit – 1-1/2 in. Internal Slip x 2 in. External Slip (includes 2 unions as pictured above)									

¹ 'UL' indicates that pump bears a UL mark signifying evaluation to U.S. Standards UL1081 for Permanently Connected Swimming Pool and Spa Pumps and to Canadian Standards CAN/CSA C22.2 No. 108-01 Liquid Pumps For Swimming Pools Only (Enclosure 3).

² 'NSF' indicates that pump bears a mark signifying evaluation to NSF Standard 50 For Self-Priming Centrifugal Pumps For Swimming Pools Only.

³ 'APSP' Pump has been evaluated to ANSI/APSP/ICC-15 and California Title 20 and is certified to use on Residential Swimming Pool Filtration Systems.

⁴ Product may have been evaluated to other state and local regulatory standards. Listing status may change. Always confirm status with appropriate agency if in doubt.

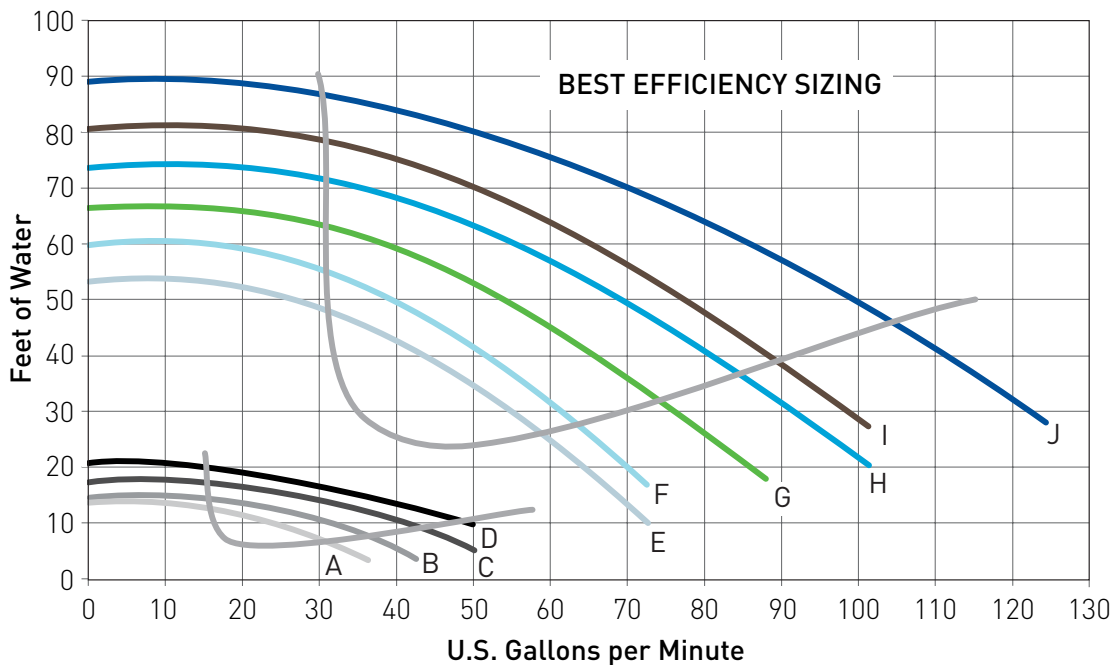
• Pumps and replacement motors that are single speed and one (1) Total HP or greater cannot be sold, offered for sale, or installed in a residential pool for filtration use in California, Title 20 CCR sections 1601-1609.

* Hayward® and Super Pump® are registered trademarks of Hayward Industries, Inc.

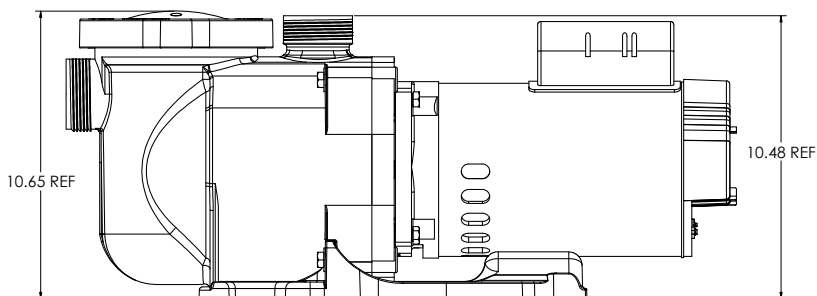
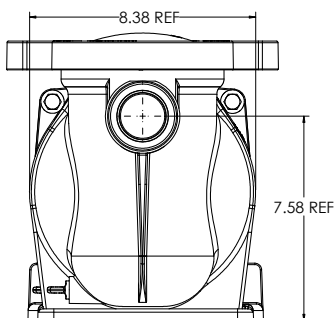
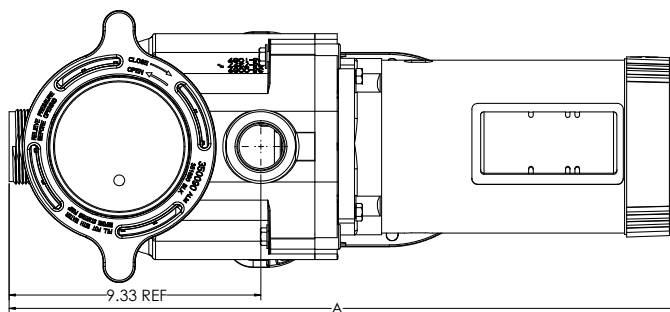
SUPERFLO®

HIGH PERFORMANCE PUMPS (CONT'D)

Dimensions and Performance



A- VARYING LENGTH			
HP	STD EFF	EE	1PH TEFC
.5	23.89	24.64	
.75	23.89	24.64	
1	23.89	24.64	22.00
1.5	24.27	24.89	22.45
2	25.89	25.39	22.90
2.5	25.89	25.89	



CALIFORNIA PROPOSITION 65 WARNING

⚠ **WARNING:** Cancer and Reproductive Harm.
 ⚠ **AVERTISSEMENT:** Peut Causer le Cancer et des Dommages au Système Reproducteur.
 ⚠ **ADVERTENCIA:** Cáncer y Daño Reproductivo.
www.p65warnings.ca.gov PH201514

See page 520-521 for replacement parts.

INTELLIPROXF[®] VSF

HIGH PERFORMANCE PUMP



TRADEGRADE



IntelliProXF VSF Pump



Featured Highlights

- Eight programmable speed or flow settings and built-in timer
- Rotatable keypad with optional wall mount kit (sold separately)
- Top-mounted field wiring compartment is easier to access and connect
- Totally enclosed fan-cooled design keeps motor shielded from the elements for extended life
- Menus are easier than ever to use
- Union connectors included for connecting directly to 2.5" or 3" plumbing
- Precisely maintains system flow requirements
- Compatible with Pentair Automation
- WEF 5.6 THP 3.95

This product may be protected by one or more of the following US Patents and all corresponding foreign counterparts: 7,686,587; 7,854,597; 8,043,070; 8,469,675; 8,573,952; D568,340; D606,562; D611,430

IntelliProXF VSF pump is the first variable speed and flow pump that adjusts to changes in flow system conditions to maintain its programmed flow rate. With its available performance and efficiency, it is perfectly suited for large and feature rich pools with high flow demand.

CALIFORNIA PROPOSITION 65 WARNING

⚠ **WARNING:** Cancer and Reproductive Harm.
 ⚠ **AVERTISSEMENT:** Peut Causer le Cancer et des Dommages au Système Reproducteur.
 ⚠ **ADVERTENCIA:** Cáncer y Daño Reproductivo.

www.p65warnings.ca.gov PK201714

Ordering Information

Product	Model	Voltage	Full Load Amps	kW	HP	SF	SFHP	FREQ.	Primary Listings and Certifications ⁴	Port Size (NPT)	Carton Wt. (Lbs.)
INTELLIPROXF VSF VARIABLE SPEED AND FLOW PUMP											
023056	IntelliProXF VSF	230	16	3.2	3	1.32	3.95	50HZ/60HZ	UL ¹ , NSF ² , APSP ³	2.5 in. x 2.5 in. OR 3 in. X 3in.	58
ACCESSORIES											
400012	XF Riser Base - Simplifies installation of XF-series pumps in applications where Challenger pumps are being replaced.										
521109	IntelliCom 2 - Rated 9 - 30 V DC with 4 inputs										1
350122	Communication Cable - 50 ft. - Included with pump										2
356905Z	Keypad Relocation Kit										1

¹ 'UL' indicates that pump bears a UL mark signifying evaluation to U.S. Standards UL1081 for Permanently Connected Swimming Pool and Spa Pumps and to Canadian Standards CAN/CSA C22.2 No. 108-01 Liquid Pumps For Swimming Pools Only (Enclosure 3).

² 'NSF' indicates that pump bears a mark signifying evaluation to NSF Standard 50 For Self-Priming Centrifugal Pumps For Swimming Pools Only.

³ 'APSP' Pump has been evaluated to ANSI/APSP/ICC-15 and California Title 20 and is certified to use on Residential Swimming Pool Filtration Systems.

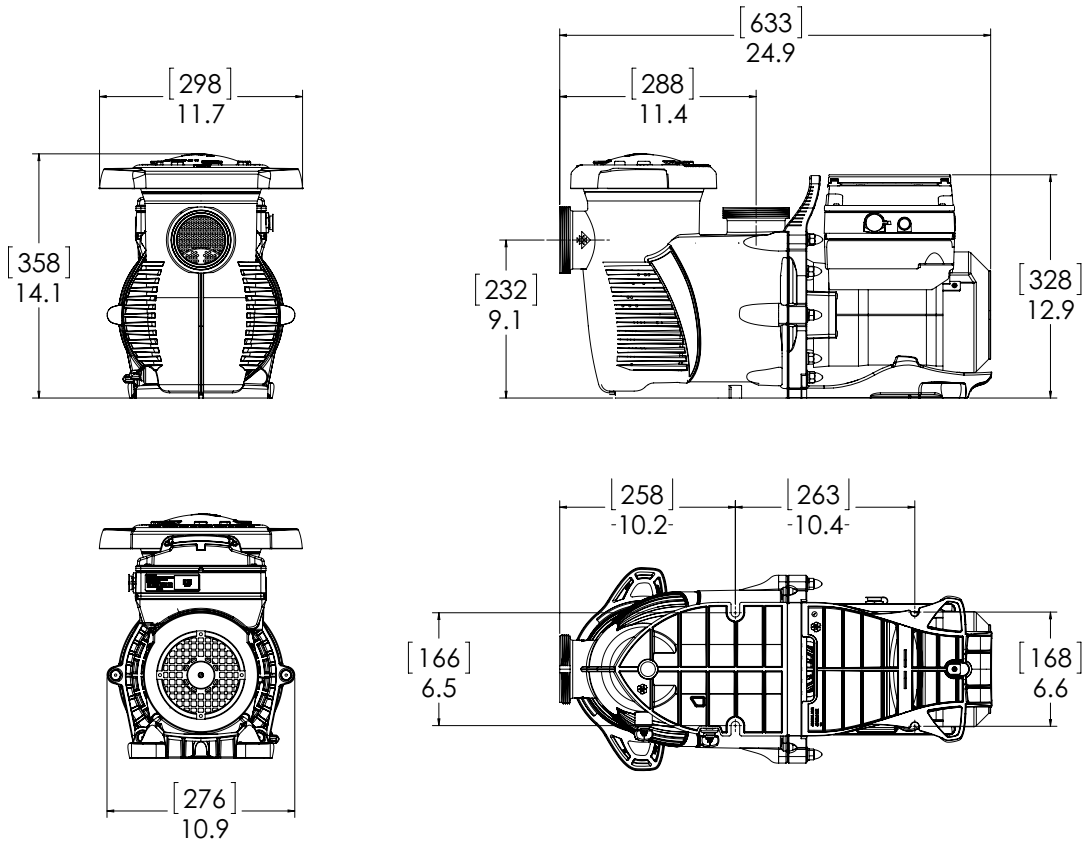
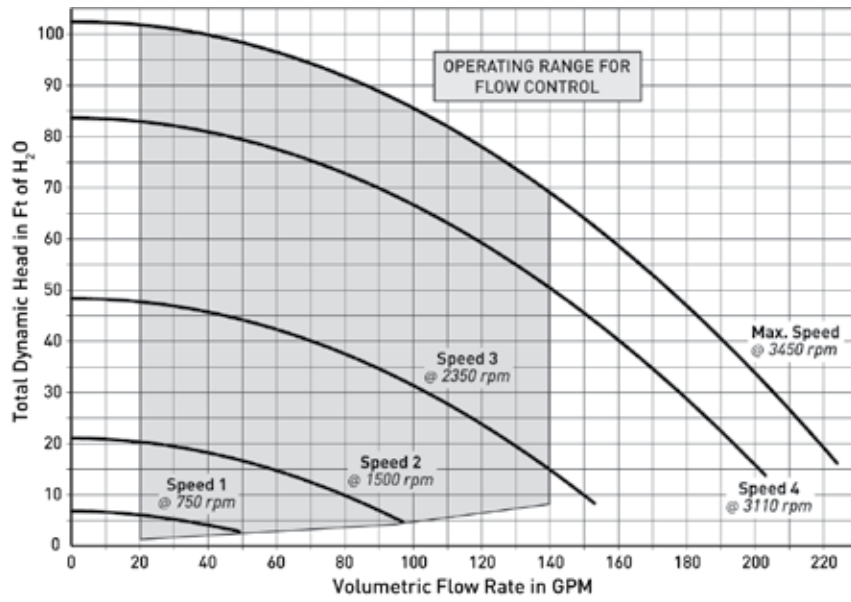
⁴ Product may have been evaluated to other state and local regulatory standards. Listing status may change. Always confirm status with appropriate agency if in doubt.

Refer to catalog page 50 for a selection of 2-Pole GFCI breakers which offer 6 milliamp personnel protection while meeting 2008 to current NEC Standards for Pool Pumps.

INTELLIPROXF[®] VSF

HIGH PERFORMANCE PUMP (CONT'D)

Dimensions and Performance*



See page 522 for replacement parts.

INTELLIPROXF[®] VARIABLE SPEED

HIGH PERFORMANCE PUMP



IntelliProXF
Variable Speed Pump



Featured Highlights

- Hydraulic isolator separates priming water from pumping water for faster priming and more turbulence-free flow for increased efficiency
- TEFC design keeps motor shielded from the elements for extended life
- Eight speed settings and on-board scheduling with timers
- LCD screen with rotatable keypad for easy programming
- Union connectors are included - connecting directly to 2.5 in. or 3 in. plumbing
- Drop in replacement for WhisperFlo[®] Pool Pump models; and optional riser base enables easy Challenger[®] Pump replacement
- Operates seamlessly on 50 hz or 60 hz input power.
- WEF 5.6 THP 3.95

This product may be protected by one or more of the following US Patents and all corresponding foreign counterparts: D611,430; 7,686,587; 7,854,597; D606,562; 8,043,070; 8,469,675; 8,573,952

IntelliProXF Variable Speed Pump combines the superior internal geometry of the Pentair new generation XF pumps to create an energy efficient, economical, powerful, quiet and dependable pump.

CALIFORNIA PROPOSITION 65 WARNING

⚠ **WARNING:** Cancer and Reproductive Harm.
 ⚠ **AVERTISSEMENT:** Peut Causer le Cancer et des Dommages au Système Reproducteur.
 ⚠ **ADVERTENCIA:** Cáncer y Daño Reproductivo.
www.p65warnings.ca.gov PH202104

Ordering Information

Product	Model	Voltage	Full Load Amps	kW	HP	SF	SFHP	FREQ.	Primary Listings and Certifications ⁴	Port Size (NPT)	Carton Wt. (Lbs.)
INTELLIPROXF VARIABLE SPEED PUMP											
023055	IntelliProXF	230	16	3.2	3	1.32	3.95	50HZ/60HZ	UL ¹ , NSF ² , APSP ³	2.5 in. x 2.5 in. OR 3 in. X 3in.	58
ACCESSORIES											
400012	XF Riser Base - Simplifies installation of XF-series pumps in applications where Challenger pumps are being replaced.										
521109	IntelliCom 2 - Rated 9 - 30 V DC with 4 inputs										1
350122	Communication Cable - 50 ft. - Included with pump										2
356905Z	Keypad Relocation Kit										1

¹ 'UL' indicates that pump bears a UL mark signifying evaluation to U.S. Standards UL1081 for Permanently Connected Swimming Pool and Spa Pumps and to Canadian Standards CAN/CSA C22.2 No. 108-01 Liquid Pumps For Swimming Pools Only (Enclosure 3).

² 'NSF' indicates that pump bears a mark signifying evaluation to NSF Standard 50 For Self-Priming Centrifugal Pumps For Swimming Pools Only.

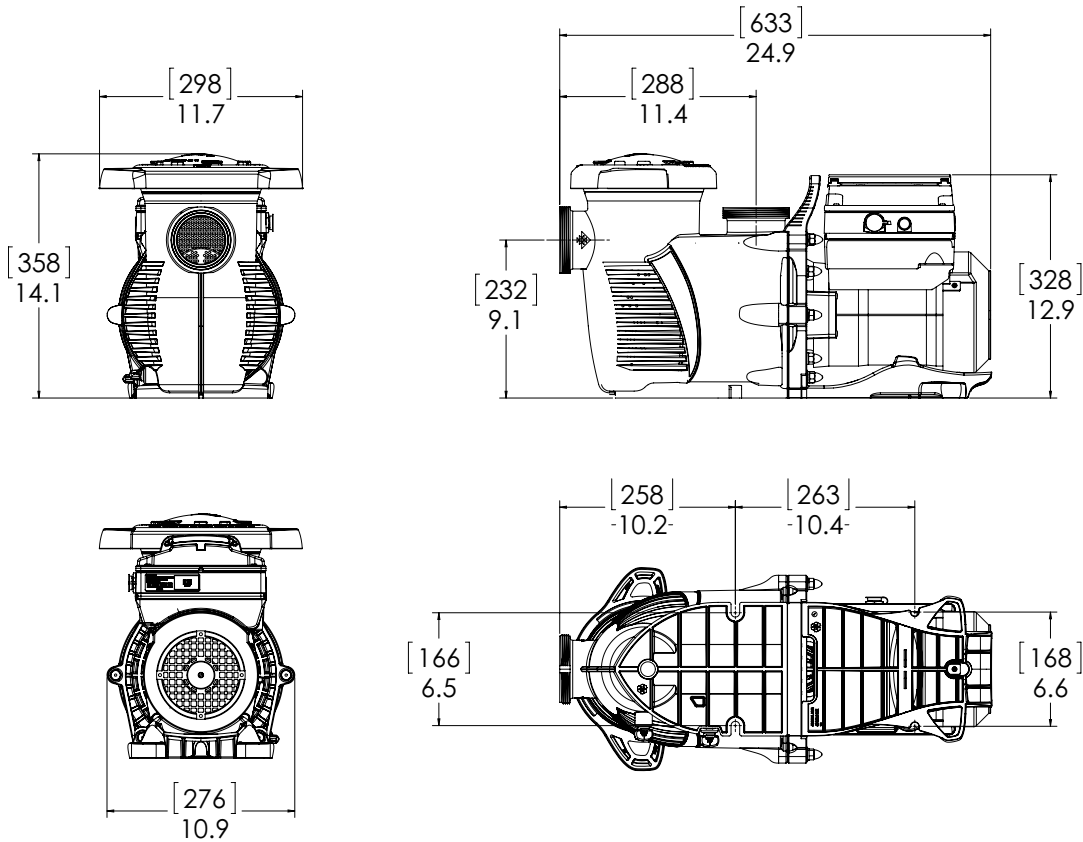
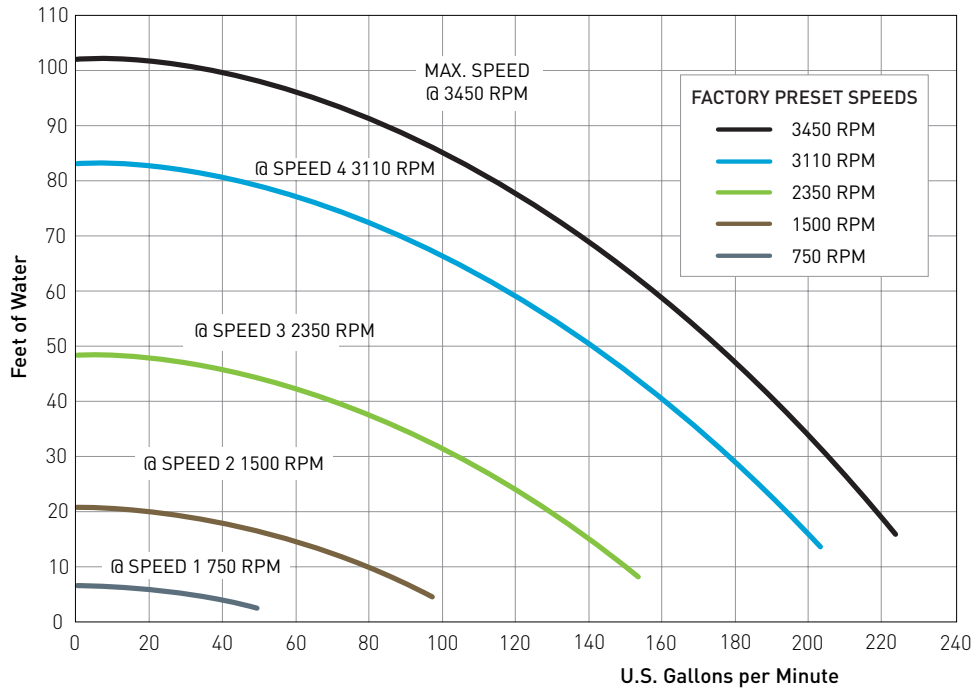
³ 'APSP' Pump has been evaluated to ANSI/APSP/ICC-15 and California Title 20 and is certified to use on Residential Swimming Pool Filtration Systems.

⁴ Product may have been evaluated to other state and local regulatory standards. Listing status may change. Always confirm status with appropriate agency if in doubt.

Refer to catalog page 50 for a selection of 2-Pole GFCI breakers which offer 6 milliamp personnel protection while meeting 2008 to current NEC Standards for Pool Pumps.

INTELLIPROXF[®] VARIABLE SPEED HIGH PERFORMANCE PUMP (CONT'D)

Dimensions and Performance*



See page 522 for replacement parts.

INTELLIPRO® VSF

HIGH PERFORMANCE PUMP



TRADEGRADE



IntelliPro VSF Pump



Featured Highlights

- Eight programmable speed or flow settings and built-in timer
- Rotatable keypad with optional wall mount kit (sold separately)
- Top-mounted field wiring compartment is easier to access and connect
- Totally enclosed fan-cooled design for increased performance and long life
- Menus are easier than ever to use
- Precisely maintains system flow requirements
- Compatible with Pentair Automation
- WEF 6.6 THP 3.95

This product may be protected by one or more of the following US Patents and all corresponding foreign counterparts. 7,686,587; 7,854,597; 8,043,070; 8,469,675; 8,573,952; D568,340; D606,562; D611,430

IntelliPro VSF pump is the first variable speed and flow pump that adjusts to changes in flow conditions to maintain its preprogrammed flow rate to run optimally throughout the entire filtration cycle. It's like having cruise control for your pump.

CALIFORNIA PROPOSITION 65 WARNING

⚠️ **WARNING:** Cancer and Reproductive Harm.
 ⚠️ **AVERTISSEMENT:** Peut Causer le Cancer et des Dommages au Système Reproducteur.
 ⚠️ **ADVERTENCIA:** Cáncer y Daño Reproductivo.
www.p65warnings.ca.gov PA200701A

Ordering Information

Product	Description	Voltage	Full Load Amps	kW	HP	SF	SFHP	FREQ.	Primary Listings and Certifications ⁴	Port Size (NPT)	Carton Wt. (Lbs.)
INTELLIPRO VSF VARIABLE SPEED AND FLOW PUMP											
013004	IntelliPro VSF	230	16	3.2	3	1.32	3.95	50Hz/60Hz	UL ¹ , NSF ² , APSP ³	2 in. x 2 in.	57
ACCESSORIES											
521109	IntelliCom 2 - Rated 9 - 30 V DC with 4 inputs										1
350122	Communication Cable - 50 ft. - Included with pump										2
356905Z	Keypad Relocation Kit										2

¹ 'UL' indicates that pump bears a specific UL mark signifying evaluation to U.S. Standards UL1081 for Permanently Connected

Swimming Pool and Spa Pumps and to Canadian Standards CAN/CSA C22.2 No. 108-01 Liquid Pumps For Swimming Pools Only (Enclosure 3).

² 'NSF' indicates that pump bears a mark signifying evaluation to NSF Standard 50 For Self-Priming Centrifugal Pumps For Swimming Pools Only.

³ 'APSP' Pump has been evaluated to ANSI/APSP/ICC-15 and California Title 20 and is certified to use on Residential Swimming Pool Filtration Systems.

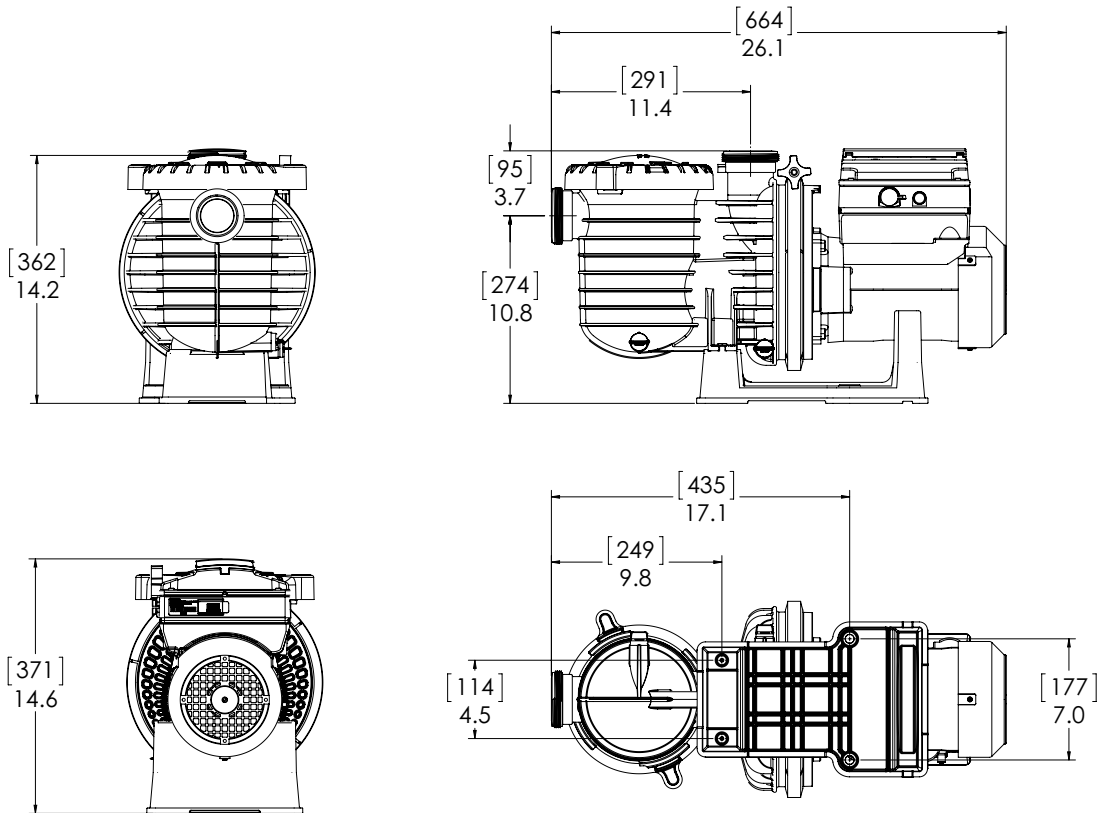
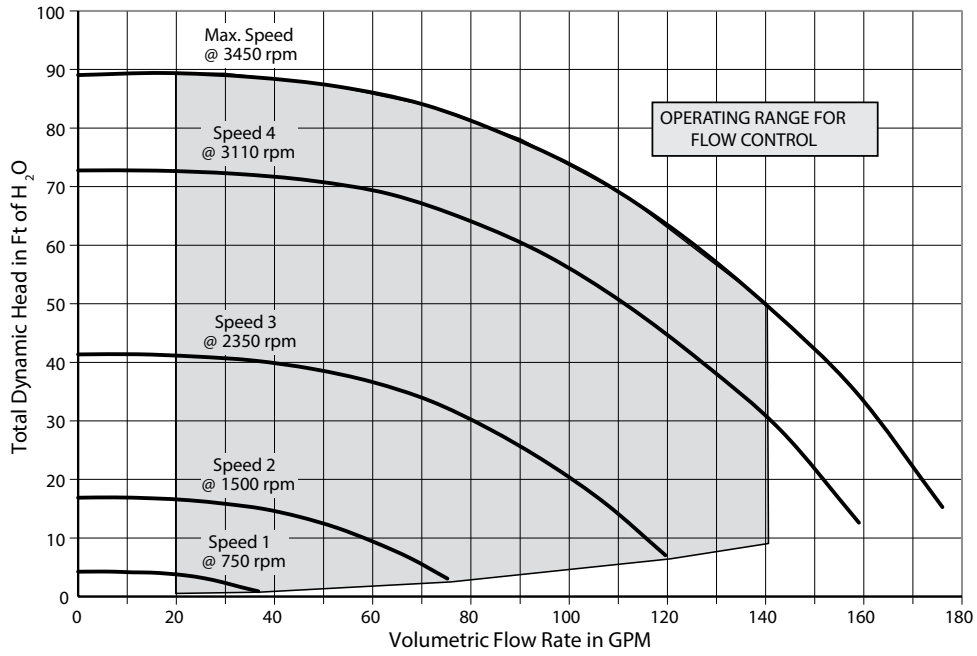
⁴ Product may have been evaluated to other state and local regulatory standards. Listing status may change. Always confirm status with appropriate agency if in doubt.

Refer to catalog page 50 for a selection of 2-Pole GFCI breakers which offer 6 milliamp personnel protection while meeting NEC 2008 Standards for Pool Pumps.

INTELLIPRO® VSF

HIGH PERFORMANCE PUMP (CONT'D)

Dimensions and Performance



See page 524 for replacement parts.

INTELLIPRO® VARIABLE SPEED HIGH PERFORMANCE PUMP



IntelliPro
Variable Speed Pump

This product may be protected by one or more of the following US Patents and all corresponding foreign counterparts: 7,686,587; 7,854,597; 8,043,070; 8,469,675; 8,573,952; D568,340; D606,562; D611,430

IntelliPro VS Variable Speed pump is the next generation of Pentair's variable-speed pump technology. With energy savings up to 90% versus conventional pumps, near-silent operation and advanced programming capabilities, this pump continues to deliver everything a pool owner wants and reliability no other competitor can match.

Featured Highlights

- Intuitive, easy to use menu structure for programming and monitoring
- Control keypad can be rotated for convenient orientation on the pump or wall mounted with Relocation Kit
- Includes 2 in. NPT Slip Unions
- Interfaces perfectly with Pentair automation systems that give you the convenience of mobile device control
- Totally enclosed fan cooled design for quiet operation and long life
- Top-mounted field wiring compartment makes access and installation easier
- 8-programmable speed settings and built in timer
- WEF 6.6 THP 3.95

CALIFORNIA PROPOSITION 65 WARNING

⚠ **WARNING:** Cancer and Reproductive Harm.
 ⚠ **AVERTISSEMENT:** Peut Causer le Cancer et des Dommages au Système Reproducteur.
 ⚠ **ADVERTENCIA:** Cáncer y Daño Reproductivo.
www.p65warnings.ca.gov

Ordering Information

Product	Description	Voltage	Full Load Amps	kW	HP	SF	SFHP	FREQ.	Primary Listings and Certifications ⁴	Port Size (NPT)	Carton Wt. (Lbs.)
INTELLIPRO VARIABLE SPEED (NON-SVRS MODEL)											
013028	IntelliPro VS	230	16	3.2	3	1.32	3.95	50Hz/60Hz	UL ¹ , NSF ² , APSP ³	2 in. x 2 in.	57
ACCESSORIES											
521109	IntelliCom 2 - Rated 9 - 30 V DC with 4 inputs										1
350122	Communication Cable - 50 ft. - Included with pump										2
356905Z	Keypad Relocation Kit										2

¹ 'UL' indicates that pump bears a specific UL mark signifying evaluation to U.S. Standards UL1081 for Permanently Connected

Swimming Pool and Spa Pumps and to Canadian Standards CAN/CSA C22.2 No. 108-01 Liquid Pumps For Swimming Pools Only (Enclosure 3).

² 'NSF' indicates that pump bears a mark signifying evaluation to NSF Standard 50 For Self-Priming Centrifugal Pumps For Swimming Pools Only.

³ 'APSP' Pump has been evaluated to ANSI/APSP/ICC-15 and California Title 20 and is certified to use on Residential Swimming Pool Filtration Systems.

⁴ Product may have been evaluated to other state and local regulatory standards. Listing status may change. Always confirm status with appropriate agency if in doubt.

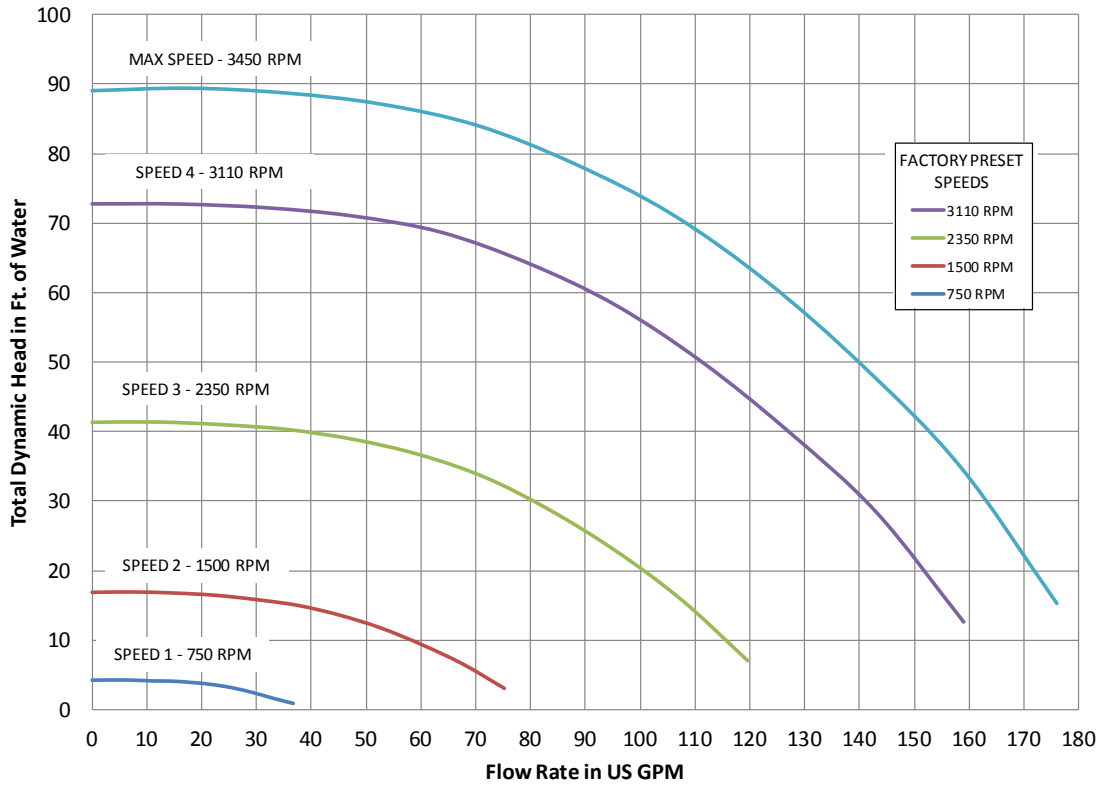
• Savings based on variable speed pump compared to a single-speed pump running 12 hours per day at an average of \$0.16 per kWh in a 20,000 gallon pool. Actual savings may vary based on local utility rates, pool size, pump run time, pump horsepower, pump rpm, plumbing size and length, pump model, service factor and other hydraulic factors

Refer to catalog page 50 for a selection of 2-Pole GFCI breakers which offer 6 milliamp personnel protection while meeting NEC 2008 Standards for Pool Pumps.

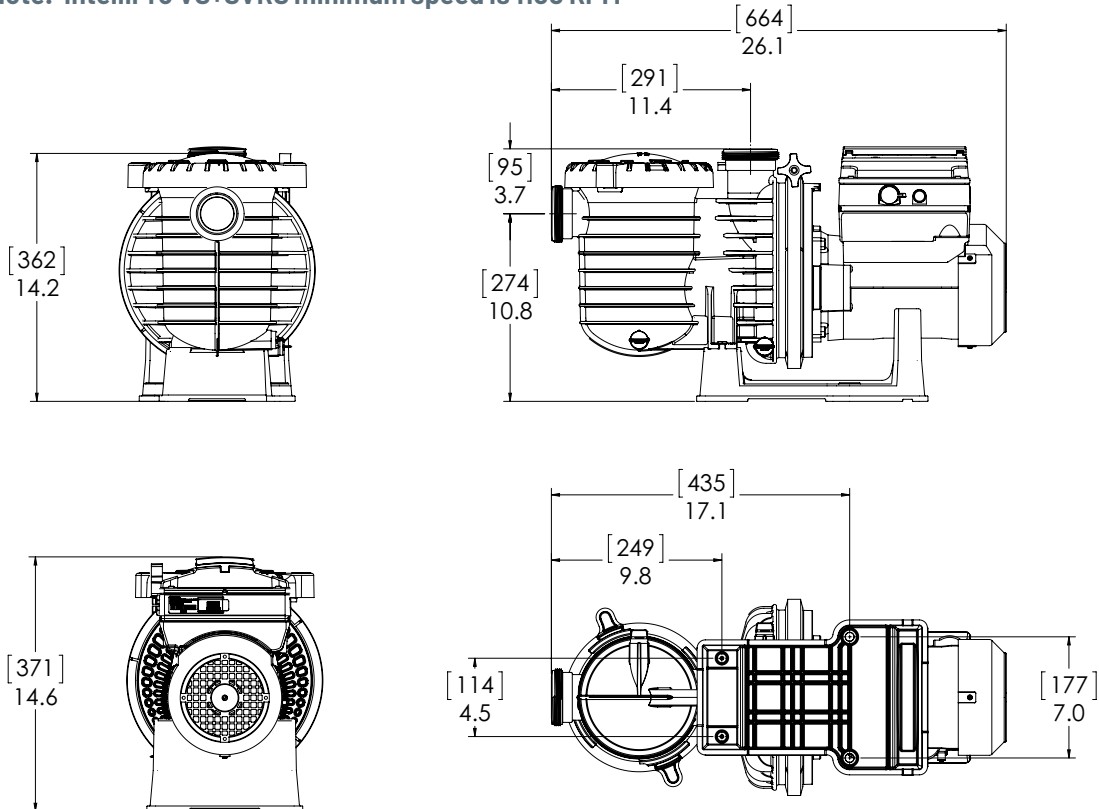
INTELLIPRO® VS

HIGH PERFORMANCE PUMP (CONT'D)

Dimensions and Performance



Note: IntelliPro VS+SVRS minimum speed is 1100 RPM



See page 524 for replacement parts.

INTELLIPRO® VS+SVRS HIGH PERFORMANCE PUMPS



IntelliPro VS+SVRS
Variable Speed Pump



This product may be protected by one or more of the following US Patents and all corresponding foreign counterparts: 7,686,587; 7,854,597; D611,430; D606,562; 8,313,306; 8,602,743; 8,469,675; 8,573,952; 8,602,745; 8,043,070; 9,243,413

IntelliPro pumps combine variable speed technology, onboard digital intelligence and permanent magnet motors (used in hybrid cars) to reduce pump-related energy costs by up to 90%. The IntelliPro VS+SVRS pump models were the first swimming pool pumps to feature a built-in Safety Vacuum Release System that detects drain blockage and automatically shuts the pump off.

CALIFORNIA PROPOSITION 65 WARNING
 ⚠️ **WARNING:** Cancer and Reproductive Harm.
 ⚠️ **AVERTISSEMENT:** Peut Causer le Cancer et des Dommages au Système Reproducteur.
 ⚠️ **ADVERTENCIA:** Cáncer y Daño Reproductivo.
www.p65warnings.ca.gov PA 201214

Featured Highlights

- Ability to program exact pump speeds for specific operations – filtering, heating, cleaning, spa jets, water features and more
- SVRS complies with Virginia Graeme Baker Safety Act
- Built-in diagnostics protect the IntelliPro pump from the most common causes of premature failure – overheating, freezing, and voltage irregularities.
- Includes priming protection. No SVRS calibrations needed. Built-in SVRS cannot be turned off.
- Safety lock-out feature (password protected) prevents pump speed settings from being changed by unauthorized personnel
- Ability to set minimum and maximum speeds so pump will only operate within the ranges set to help assure safe operation and long life
- Compatible with Pentair Automation Systems
- Compliant with the current ASME A112.19.17 standard for Safety Vacuum Release Systems (SVRS)
- WEF 6.1 THP 3.95

Ordering Information

Product	Model	Voltage	Full Load Amps	kW	HP	SF	SFHP	FREQ.	Primary Listings and Certifications ⁶	Port Size (NPT)	Carton Wt. (Lbs.)
INTELLIPRO VS+ SVRS VARIABLE SPEED WITH SAFETY VACUUM RELEASE SYSTEM											
013002	IntelliPro VS+SVRS	230	16	3.2	3	1.32	3.95	50hz/60hz	UL ¹ , NSF ² , CSA ³ , ASME ⁴ , ETL APSP ⁵	2 in. x 2 in.	55
ACCESSORIES											
521109	IntelliCom 2 - Rated 9 - 30 V DC with 4 inputs										1
350122	Communication Cable - 50 ft. - Included with pump										2
350250Z	SVRS KIT - Allows use of discharge check valves with SVRS pump										1
356905Z	Optional Keypad Wall Mount Kit										
UNIONS											
11201-0154	2 in. x 2 in. Union (2 in. NPT male x 2 in. female NPT quick connect)								* Note: two required per pump (sold individually)		2

¹ 'UL' indicates that pump bears a UL mark signifying evaluation to U.S. Standards UL1081 for Permanently Connected Swimming Pool and Spa Pumps and to Canadian Standards CAN/CSA C22.2 No. 108-01 Liquid Pumps For Swimming Pools Only (Enclosure 3).

² 'NSF' indicates that pump bears a mark signifying evaluation to NSF Standard 50 For Self-Priming Centrifugal Pumps For Swimming Pools Only.

³ 'CSA' indicates that pump bears a CSA mark signifying evaluation to Canadian Standards CAN/CSA C22.2 No. 108-01 Liquid Pumps For Swimming Pools Only (Enclosure 3).

⁴ 'ASME' indicates that pump bears a specific mark signifying evaluation to ASME/ANSI Standard A.112.19.17 Manufactured Safety Vacuum Relief System (SVRS).

⁵ 'APSP' Pump has been evaluated to ANSI/APSP/ICC-15 and California Title 20 and is certified to use on Residential Swimming Pool Filtration Systems.

⁶ Product may have been evaluated to other state and local regulatory standards. Listing status may change. Always confirm status with appropriate agency if in doubt.

Note: Pump must be used with current collectors when installed on spas or hot tubs in Canada.

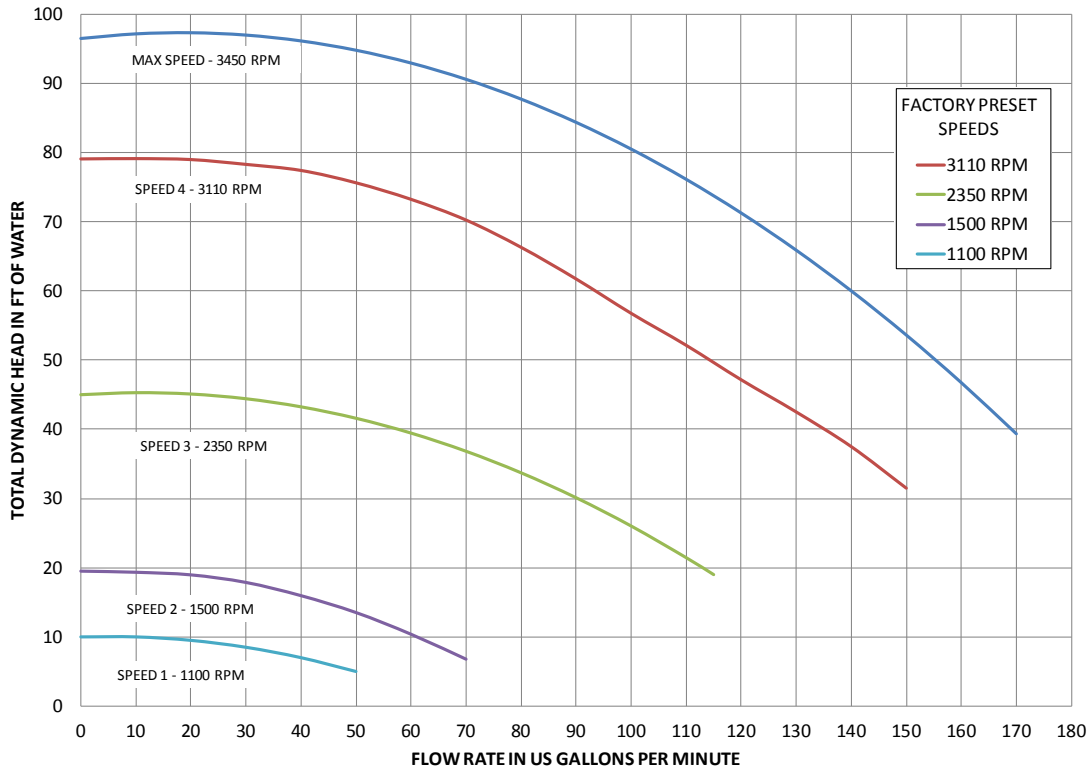
Refer to catalog page 50 for a selection of 2-Pole GFCI breakers which offer 6 milliamp personnel protection while meeting 2008 to Current NEC Standards for Pool Pumps.

- Savings based on variable speed pump compared to a single-speed pump running 12 hours per day at an average of \$0.16 per kWh in a 20,000 gallon pool. Actual savings may vary based on local utility rates, pool size, pump run time, pump horsepower, pump rpm, plumbing size and length, pump model, service factor and other hydraulic factors

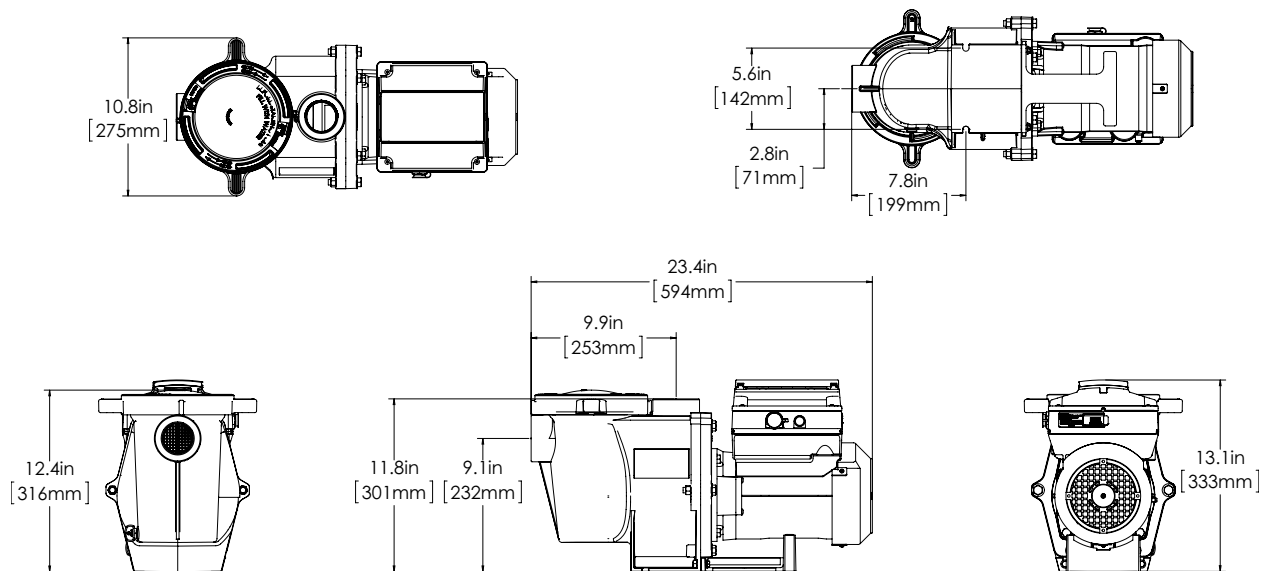
INTELLIPRO® VS+SVRS

HIGH PERFORMANCE PUMPS (CONT'D)

Dimensions and Performance



* IntelliPro VS+SVRS minimum speed is 1100 RPM



See page 526 for replacement parts.

MAX-E-PROXF[®]

HIGH PERFORMANCE PUMPS



TRADEGRADE



Max-E-ProXF Pump

Developed using the most advanced engineering tools available - CFD (Computational Fluid Dynamics) and FEA (Finite Element Analysis). The impeller design delivers high level of precision concentricity for increased efficiency.

Featured Highlights

- Drop-in replacement for all Max-E-Pro[®] Pump models. Simple replacement for Challenger[®] Pumps *
- Hydraulic isolator separates priming water from pumping water for faster priming, more turbulent-free flow and increased efficiency
- Union connectors included for connecting directly to 2.5 in. or 3 in. plumbing
- Extra large, robust basket with smooth surface for easy debris removal
- Easy-carry handle; easily removable ergonomic lock ring; and see-through lid for easy basket inspection
- Three Phase XF pumps are compatible with Pentair's Acu Drive XS VFD's
- Optional riser base for Challenger pump replacements, part #400012 available separately

CALIFORNIA PROPOSITION 65 WARNING

⚠️ **WARNING:** Cancer and Reproductive Harm.
 ⚠️ **AVERTISSEMENT:** Peut Causer le Cancer et des Dommages au Système Reproducteur.
 ⚠️ **ADVERTENCIA:** Cáncer y Daño Reproductivo.
www.p65warnings.ca.gov PA 201714

Ordering Information

Product	Model	Voltage	Full Load Amps	HP	SF	SFHP	Primary Listings and Certifications ⁴	Port Size (NPT)	Carton Wt. (Lbs.)	Curve Key
TEFC SUPER-DUTY SINGLE SPEED										
023032	XPET-8	208V-230V	11.0-9.5	2	1.30	2.60	UL ¹ , NSF ²	2-1/2 x 2-1/2" OR 3 x 3"	57	D
023033	XPET-12	208V-230V	14.6-12.7	3	1.15	3.45	UL ¹ , NSF ²	2-1/2 x 2-1/2" OR 3 x 3"	61	B
023034	XPET-20	208V-230V	20.0-18.8	5	1.0	5.0	UL ¹ , NSF ²	2-1/2 x 2-1/2" OR 3 x 3"	67	A
EFFICIENT SINGLE SPEED FULL RATED										
023009	XPE-8	208V-230V	11.0-10.2	2	1.30	2.60	UL ¹ , NSF ²	2-1/2 x 2-1/2" OR 3 x 3"	55	D
023010	XPE-12	208V-230V	15.0-13.6	3	1.15	3.45	UL ¹ , NSF ²	2-1/2 x 2-1/2" OR 3 x 3"	60	B
023011	XPE-20	208V-230V	22.0-23.0	5	1.0	5.0	UL ¹ , NSF ²	2-1/2 x 2-1/2" OR 3 x 3"	72	A
STANDARD SINGLE SPEED										
023012	XP-8	208V-230V	11.5-11.0	2	1.30	2.60	UL ¹ , NSF ²	2-1/2 x 2-1/2" OR 3 x 3"	55	D
023013	XP-12	230V	14.1	3	1.15	3.45	UL ¹ , NSF ²	2-1/2 x 2-1/2" OR 3 x 3"	60	C
EFFICIENT TWO-SPEED FULL RATED										
023007	XPDS-8	230V	11.0/1.8	2.0/0.25	1.30	2.6/0.33	UL ¹ , NSF ² , APSP ³	2-1/2 x 2-1/2" OR 3 x 3"	55	D, F
023008	XPDS-12	230V	15.0/2.6	3.0/0.38	1.15	3.45/0.44	UL ¹ , NSF ² , APSP ³	2-1/2 x 2-1/2" OR 3 x 3"	60	B, E
EFFICIENT TWO-SPEED UP RATED										
023026	XPDS-30	230V	11.0/1.8	2.5/1.31	1.04	2.6/0.32	UL ¹ , NSF ² , APSP ³	2-1/2 x 2-1/2" OR 3 x 3"	60	D, F
STANDARD SINGLE SPEED UP RATED										
023027	XP-30	208-230V	11.5-11.0	2.5	1.04	2.6	UL ¹ , NSF ²	2-1/2 x 2-1/2" OR 3 x 3"	55	D
EFFICIENT SINGLE SPEED UP RATED										
023028	XPE-30	208-230V	11.0-10.2	2.5	1.04	2.6	UL ¹ , NSF ²	2-1/2 x 2-1/2" OR 3 x 3"	55	D
THREE-PHASE SUPER-DUTY										
023017	XPK-8	208-230V/460V	7.5-7.2/3.6	2	1.3	2.6	UL ¹ , NSF ²	2-1/2 x 2-1/2" OR 3 x 3"	60	I
023018	XPK-12	208-230V/460V	9.8-9.4/4.7	3	1.15	3.45	UL ¹ , NSF ²	2-1/2 x 2-1/2" OR 3 x 3"	60	H
023019	XPK-20	208-230V/460V	13.9-13.1/6.6	5	1.0	5.0	UL ¹ , NSF ²	2-1/2 x 2-1/2" OR 3 x 3"	72	G
ACCESSORIES										
400012	XF Riser Base - Simplifies installation of XF-series pumps in applications where Challenger pumps are being replaced.									

¹ 'UL' indicates that pump bears a UL mark signifying evaluation to U.S. Standards UL1081 for Permanently Connected Swimming Pool and Spa Pumps and to Canadian Standards CAN/CSA C22.2 No. 108-01 Liquid Pumps For Swimming Pools Only (Enclosure 3).

² 'NSF' indicates that pump bears a mark signifying evaluation to NSF Standard 50 For Self-Priming Centrifugal Pumps For Swimming Pools, Spas and Hot Tubs.

³ 'APSP' Pump has been evaluated to ANSI/APSP/ICC-15 and California Title 20 and is certified to use on Residential Swimming Pool Filtration Systems.

⁴ Product may have been evaluated to other state and local regulatory standards. Listing status may change. Always confirm status with appropriate agency if in doubt.

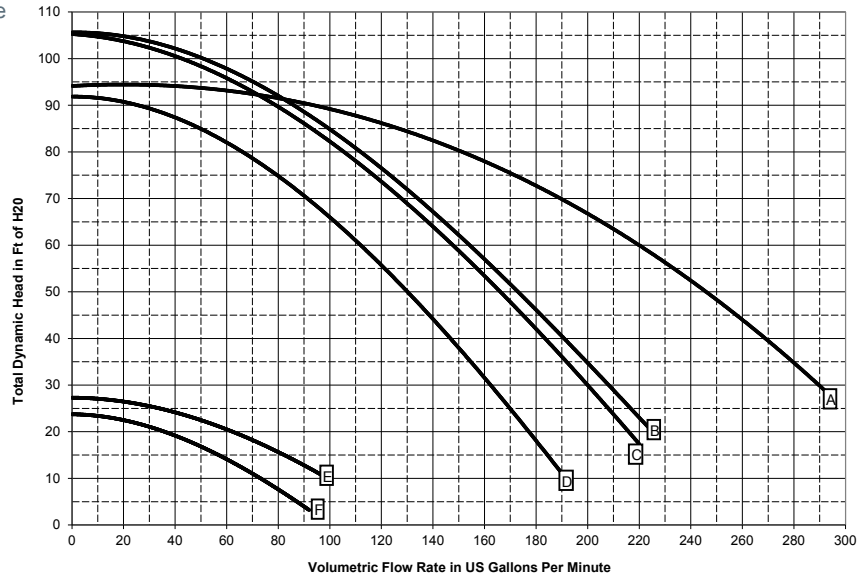
• **Pumps and replacement motors that are single speed and one (1) Total HP or greater cannot be sold, offered for sale, or installed in a residential pool for filtration use in California, Title 20 CCR sections 1601-1609.**

MAX-E-PROXF[®]

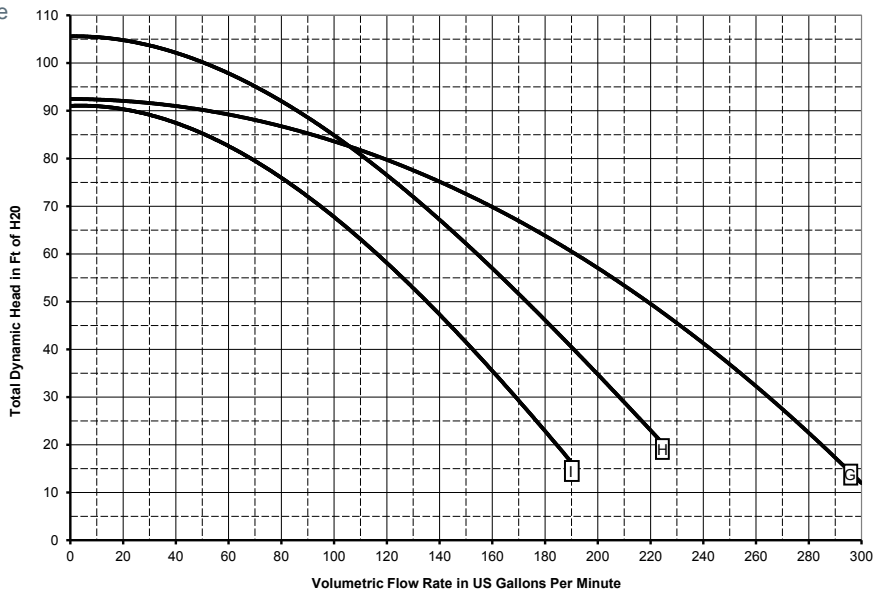
HIGH PERFORMANCE PUMPS (CONT'D)

Dimensions and Performance

1 & 2-Speed
Performance
Curve

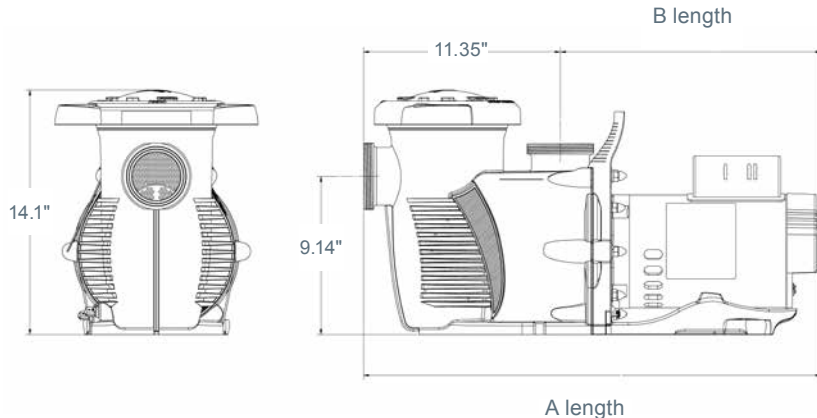


3 Phase
Performance
Curve



B- VARYING LENGTH				
HP	STD EFF	EE	1PH TEFC	3PH
2	15.04"	16.04"	13.05"	12.35"
2.5	15.04"	16.04"	-	-
3	16.04"	16.29"	13.65"	13.05"
5	-	16.78"	14.55"	13.88"

A- VARYING LENGTH				
HP	STD EFF	EE	1PH TEFC	3PH
2	26.39"	27.39"	24.40"	23.70"
2.5	26.39"	27.39"	-	-
3	27.39"	27.64"	25.00"	24.40"
5	-	28.13"	25.90"	25.23"



See page 528–529 for replacement parts.

MAX-E-PRO®

HIGH-EFFICIENCY POOL/SPA PUMPS



TRADEGRADE

Max-E-Pro
Pump

CALIFORNIA PROPOSITION 65 WARNING

⚠️ **WARNING:** Cancer and Reproductive Harm.
 ⚠️ **AVERTISSEMENT:** Peut Causer le Cancer et des Dommages au Système Reproducteur.
 ⚠️ **ADVERTENCIA:** Cáncer y Daño Reproductivo.
www.p65warnings.ca.gov P632514



Featured Highlights

- Typical Installation – Inground pools, pool/spa combinations, inground spas, fountains and water features
- Easy-to-Install – 2 in. ports include external and internal threads for more plumbing options
- Superior Hydraulic Design – Moves larger volumes of water, resulting in lower operating costs
- Impeller Manufactured with PPO Resin – Withstands the toughest water environments
- EDPM Rubber Shaft Seal – Longer-lasting seal stands up to the harshest environments
- Self-lubricating Lid O-ring – Does not require lubricant

P6 & 5P6R SERIES – High efficiency, low maintenance and maximum performance—all the features demanded by today's pool professionals. The Max-E-Pro pump has our new Quick-Lock™ Trap Cover Ring and the 2 in. ports incorporate internal and external threads. Available in single- and two-speed models, with ratings from 1/2 to 3 HP. **Built with quality construction** using a durable one-piece pump housing constructed of industry leading glass-reinforced composite resin. **Fast cleaning** with a new Quick-Lock trap cover ring permits fast access to strainer basket. Large see-through lid makes it simple to check for debris. A **strong, sturdy**, specially-designed base dampens sound and vibration, making the Max-E-Pro pump one of the quietest pumps in its class.

Ordering Information

Product	Voltage	Full Load Amps	HP	SF	SFHP	Primary Listings and Certifications ³	Port Size (NPT)	Carton Wt. (Lbs.)	Curve Key
TEFC SUPER-DUTY SINGLE SPEED									
348150	115/208-230	15.1/8.5-7.7	1	1.65	1.65	UL ¹ , NSF ²	2 in. x 2 in.	48	N
348151	208-230	10.3-9.1	1-1/2	1.47	2.21	UL ¹ , NSF ²	2 in. x 2 in.	51	F
348152	208-230	11.7-10.3	2	1.3	2.6	UL ¹ , NSF ²	2 in. x 2 in.	54	G
348153	208-230	14.6-12.7	3	1.15	3.45	UL ¹ , NSF ²	2 in. x 2 in.	58	H
EFFICIENT SINGLE SPEED FULL RATED									
P6E6C-204L	115/208-230	11/5.5	1/2	1.90	0.95	UL ¹ , NSF ² , APSP ³	2 in. x 2 in.	46	C
P6E6D-205L	115/208-230	13.8/6.9	3/4	1.65	1.23	UL ¹ , NSF ²	2 in. x 2 in.	47	D
P6E6E-206L	115/208-230	16/8	1	1.65	1.65	UL ¹ , NSF ²	2 in. x 2 in.	49	E
P6E6F-207L	230	10.4	1-1/2	1.47	2.20	UL ¹ , NSF ²	2 in. x 2 in.	55	F
P6E6G-208L	230	11.2	2	1.30	2.60	UL ¹ , NSF ²	2 in. x 2 in.	57	G
P6E6H-209L	230	15.0	3	1.15	3.45	UL ¹ , NSF ²	2 in. x 2 in.	62	H
EFFICIENT SINGLE SPEED UP RATED									
P6EA6E-205L	115/208-230	13.8/6.9	1	1.25	1.25	UL ¹ , NSF ²	2 in. x 2 in.	46	D
P6EA6F-206L	115/208-230	16/8	1-1/2	1.10	1.65	UL ¹ , NSF ²	2 in. x 2 in.	48	E
P6EAA6F-216L	230	10.4	1-3/4	1.25	1.93	UL ¹ , NSF ²	2 in. x 2 in.	54	F
P6EA6G-207L	230	10.4	2	1.10	2.20	UL ¹ , NSF ²	2 in. x 2 in.	54	F
P6EAA6G-208L	230	11.2	2-1/2	1.00	2.50	UL ¹ , NSF ²	2 in. x 2 in.	57	G
STANDARD SINGLE SPEED FULL RATED									
P6R6D-205L	115/208-230	13.2/6.2-6.6	3/4	1.65	1.25	UL ¹ , NSF ²	2 in. x 2 in.	40	D
P6R6E-206L	115/208-230	16.0/7.8-8.0	1	1.65	1.65	UL ¹ , NSF ²	2 in. x 2 in.	45	E
P6R6F-207L	115/208-230	21.0/10.0-10.5	1-1/2	1.47	2.20	UL ¹ , NSF ²	2 in. x 2 in.	51	F
P6R6G-208L	208-230	11.5-11.0	2	1.30	2.60	UL ¹ , NSF ²	2 in. x 2 in.	53	G
P6R6H-209L	230	14.1	3	1.15	3.45	UL ¹ , NSF ²	2 in. x 2 in.	58	H

MAX-E-PRO®

HIGH-EFFICIENCY POOL/SPA PUMPS (CONT'D)

Ordering Information

Product	Voltage	Full Load Amps	HP	SF	SFHP	Primary Listings and Certifications ⁴	Port Size (NPT)	Carton Wt. (Lbs.)	Curve Key
STANDARD SINGLE SPEED UP RATED									
P6RA6E-205L	115/208-230	13.2/6.2-6.6	1	1.25	1.25	UL ¹ , NSF ²	2 in. x 2 in.	40	D
P6RA6F-206L	115/208-230	16.0/7.8-8.0	1-1/2	1.10	1.65	UL ¹ , NSF ²	2 in. x 2 in.	45	E
P6RAA6F-216L	230	12.0	1-3/4	1.25	1.93	UL ¹ , NSF ²	2 in. x 2 in.	50	F
P6RA6G-207L	115/208-230	21.0/10.0-10.5	2	1.10	2.20	UL ¹ , NSF ²	2 in. x 2 in.	51	F
THREE-PHASE SUPER-DUTY									
345076	208-230/460	4.9-4.5/2.3	1	1.65	1.65	UL ¹ , NSF ²	2 in. x 2 in.	45	N
345077	208-230/460	6.4-6.3/3.2	1-1/2	1.47	2.21	UL ¹ , NSF ²	2 in. x 2 in.	47	F
345078	208-230/460	7.5-7.2/3.6	2	1.30	2.60	UL ¹ , NSF ²	2 in. x 2 in.	50	G
345079	208-230/460	9.8-9.4/4.7	3	1.15	3.45	UL ¹ , NSF ²	2 in. x 2 in.	53	H
SINGLE SPEED FULL RATED FOR LOW VOLTAGE APPLICATIONS- 3 PHASE									
P6R62D3-186	200-400	3.8/1.9	3/4	1.65	1.25	NSF ²	2 in. x 2 in.	42	D
P6R62E3-187	200-400	5.2/2.6	1	1.65	1.65	NSF ²	2 in. x 2 in.	48	N
P6R62F3-188	200-400	7.6/3.8	1-1/2	1.47	2.20	NSF ²	2 in. x 2 in.	50	F
P6R62G3-189	200-400	7.6/3.8	2	1.10	2.20	NSF ²	2 in. x 2 in.	52	G
SINGLE SPEED FULL RATED FOR 575 VOLTAGE APPLICATIONS- 3 PHASE									
P6EA6D36-204	575	1.2	3/4	1.50	1.12	NSF ²	2 in. x 2 in.	39	D
P6EA6E36-205	575	1.5	1	1.40	1.40	NSF ²	2 in. x 2 in.	41	N
P6EA6F36-206	575	1.9	1-1/2	1.10	1.65	NSF ²	2 in. x 2 in.	48	F
P6EA6G36-207	575	3.2	2	1.00	2.00	NSF ²	2 in. x 2 in.	50	G
P6E6H36-209	575	3.9	3	1.15	3.45	NSF ²	2 in. x 2 in.	59	H
EFFICIENT TWO SPEED 3450 RPM, LOW SPEED 1725 RPM UP RATED									
P6RA6YF-206L	230	9.2/2.5	1-1/2	1.10	1.65	UL ¹ , NSF ² , APSP ³	2 in. x 2 in.	48	A, E
P6RA6YG-207L	230	10.1/3.7	2	1.10	2.20	UL ¹ , NSF ² , APSP ³	2 in. x 2 in.	49	B, F
50 HZ EFFICIENT SINGLE SPEED									
5P6R6D-209	115/220-240	12.2/6.1	3/4	1.65	1.23		2 in. x 2 in.	39	I
5P6R6E-210	115/220-240	15.4/7.7	1	1.25	1.25		2 in. x 2 in.	41	J
5P6R6F-211	115/220-240	19.4/9.7	1.5	1.10	1.65		2 in. x 2 in.	48	K
5P6R6G-212	220-240	10.5	2	1.10	2.20		2 in. x 2 in.	50	L
5P6R6H-213	220-240	13.9	3	1.00	3.00		2 in. x 2 in.	59	M
50 HZ EFFICIENT SINGLE SPEED - 3 PHASE									
5P6R6D3-209	220-240/380-415	3.6/2.1	3/4	1.27	.95		2 in. x 2 in.	38	I
5P6R6E3-210	220-240/380-415	4.0/2.3	1	1.25	1.25		2 in. x 2 in.	40	J
5P6R6F3-211	220-240/380-415	5.15/3.0	1-1/2	1.10	1.65		2 in. x 2 in.	47	K
5P6R6G3-212	220-240/380-415	6.6/3.8	2	1.10	2.20		2 in. x 2 in.	49	L
5P6R6H3-213	220-240/380-415	8.0/4.7	3	1.00	3.00		2 in. x 2 in.	58	M
ACCESSORIES									
77703-0100	2 in. Union Half x 1-1/2 in. FPT – Package Of Two							1	
77703-0101	2 in. Union Half x 1-1/2 in. Slip – Package Of Two							1	
PKG 188Z	2 in. Union Half x 2 in. Slip – Package Of Two							1	
PKG 189	2 in. Union Half x 2 in. FPT – Package Of Two							1	

¹ 'UL' indicates that pump bears a specific UL mark signifying evaluation to U.S. Standards UL1081 for Permanently Connected Swimming Pool and Spa Pumps and to Canadian Standards CAN/CSA C22.2 No. 108-01 Liquid Pumps For Swimming Pools And Spas. (Enclosure 3).

² 'NSF' indicates that pump bears a mark signifying evaluation to NSF Standard 50 For Self-Priming Centrifugal Pumps For Swimming Pools, Spas and Hot Tubs.

³ 'APSP' Pump has been evaluated to ANSI/APSP/ICC-15 and California Title 20 and is certified to use on Residential Swimming Pool Filtration Systems.

⁴ Product may have been evaluated to other state and local regulatory standards. Listing status may change. Always confirm status with appropriate agency if in doubt.

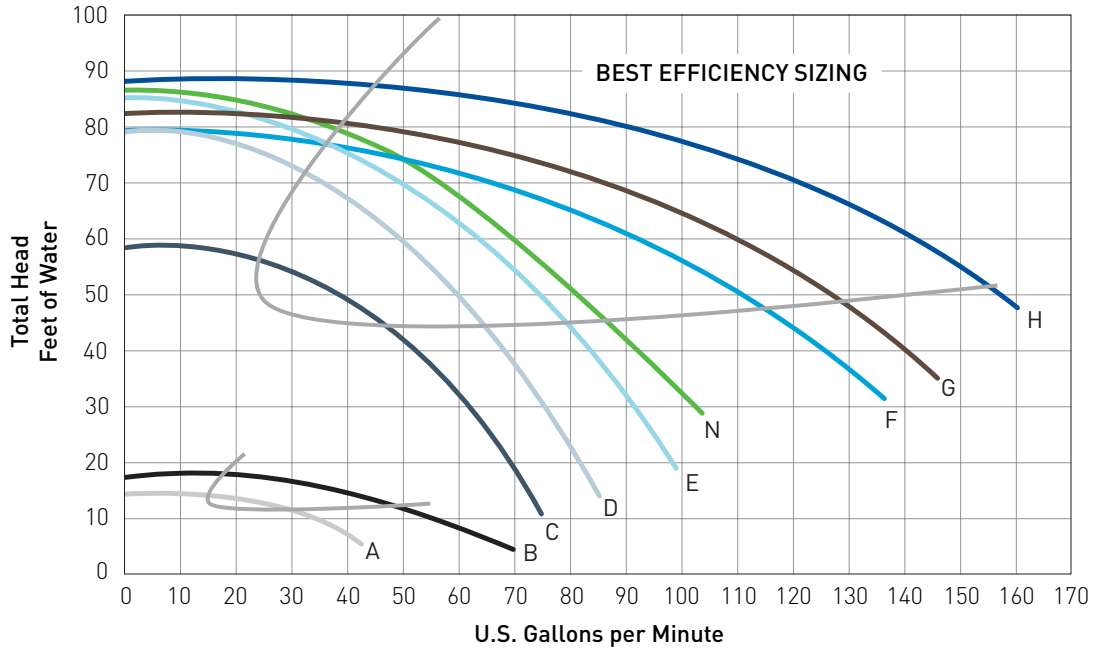
• **Pumps and replacement motors that are single speed and one (1) Total HP or greater cannot be sold, offered for sale, or installed in a residential pool for filtration use in California, Title 20 CCR sections 1601-1609.**

MAX-E-PRO[®]

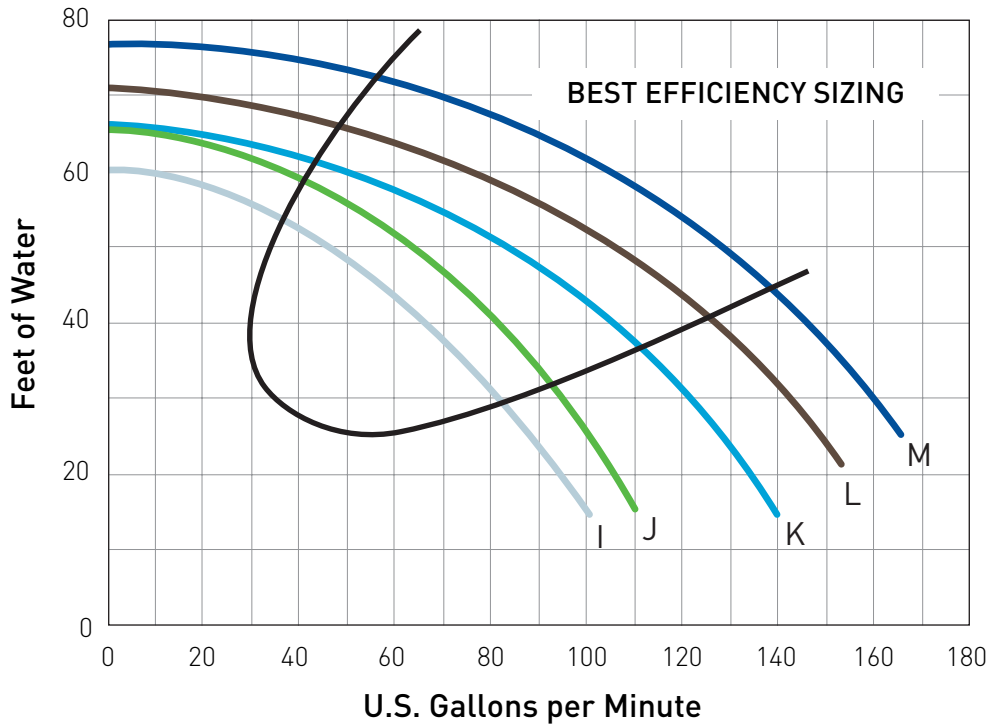
HIGH-EFFICIENCY POOL/SPA PUMPS (CONT'D)

Dimensions and Performance

60 Hz Performance Curve

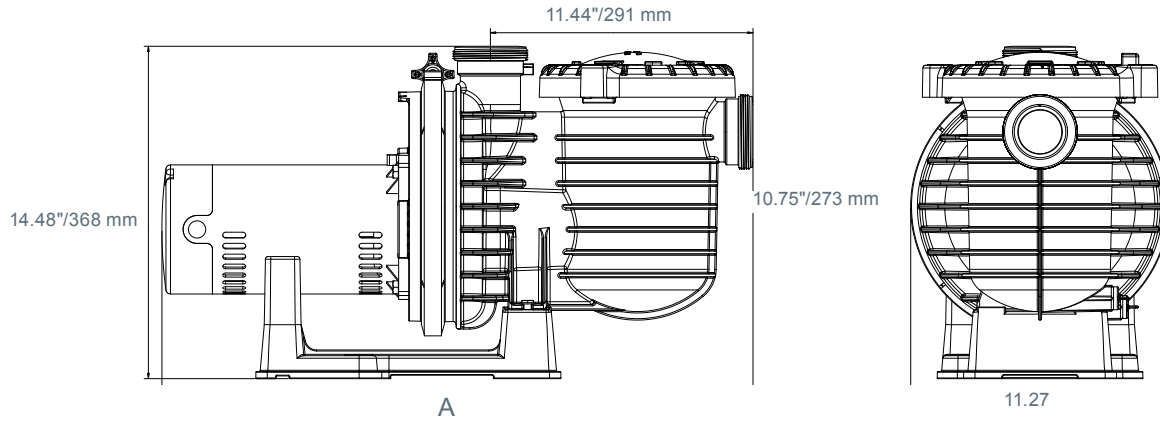


50 Hz Performance Curve



MAX-E-PRO®

HIGH-EFFICIENCY POOL/SPA PUMPS (CONT'D)



A- VARYING LENGTH				
HP	STD EFF	EE	1PH TEFC	3PH
.5	26.92			
.75	26.92			
1	27.29	28.45	25.03	24.76
1.5	28.92	28.45	25.48	24.76
2	28.92	29.08	25.93	25.17
3.0	28.92	29.08	26.53	25.87

SUPERMAX® VS

VARIABLE SPEED PUMPS



TRADEGRADE



SuperMax VS
Variable Speed Pump



For pool owners who want to step-up to the cost savings of variable speed technology, the SuperMax VS pump is the wise choice. SuperMax VS pump is engineered for easy installation, simple operation, and trouble-free service.

Featured Highlights

- Variable speed technology costs significantly less to operate
- Ideal for standard pools requiring up to 1.5 hp pump
- 110/230V and 50/60 Hz capability
- Real-time clock with 24-hour memory retention
- Simple, intuitive user interface is easy to program and operate
- Easy to access electrical connections for simple installation
- Three operating speed settings plus override capability
- SuperMax pump by Pentair Aquatic Systems is a direct replacement for the Hayward® Super Pump® *
- 115-volt: WEF 7.3 THP 2.2
- 230-volt: WEF 6.6 THP 2.2

CALIFORNIA PROPOSITION 65 WARNING
 ⚠️ **WARNING:** Cancer and Reproductive Harm.
 ⚠️ **AVERTISSEMENT:** Peut Causer le Cancer et des Dommages au Système Reproducteur.
 ⚠️ **ADVERTENCIA:** Cáncer y Daño Reproductivo.
www.p65warnings.ca.gov PA120175A

Ordering Information

Product	Model	Voltage	Full Load Amps	HP	SF	SFHP	Primary Listings and Certifications ⁴	Port Size (NPT)	Carton Wt. (Lbs.)
SUPERMAX VS VARIABLE SPEED									
343001	SuperMax VS Variable Speed	115/208-230	13.2/12.0-11.5	1.5	1.46	2.2	UL ¹ , NSF ² , APSP ³	1-1/2 in.	53
ACCESSORIES									
353129Z	External Control Wiring Kit								

¹ 'UL' indicates that pump bears a UL mark signifying evaluation to U.S. Standards UL1081 for Permanently Connected Swimming Pool and Spa Pumps and to Canadian Standards CAN/CSA C22.2 No. 108-01 Liquid Pumps For Swimming Pools Only (Enclosure 3). UL 60730 Compliant.

² 'NSF' indicates that pump bears a mark signifying evaluation to NSF Standard 50 For Self-Priming Centrifugal Pumps For Swimming Pools Only.

³ 'APSP' Pump has been evaluated to ANSI/APSP/ICC-15 and California Title 20 and is certified to use on Residential Swimming Pool Filtration Systems.

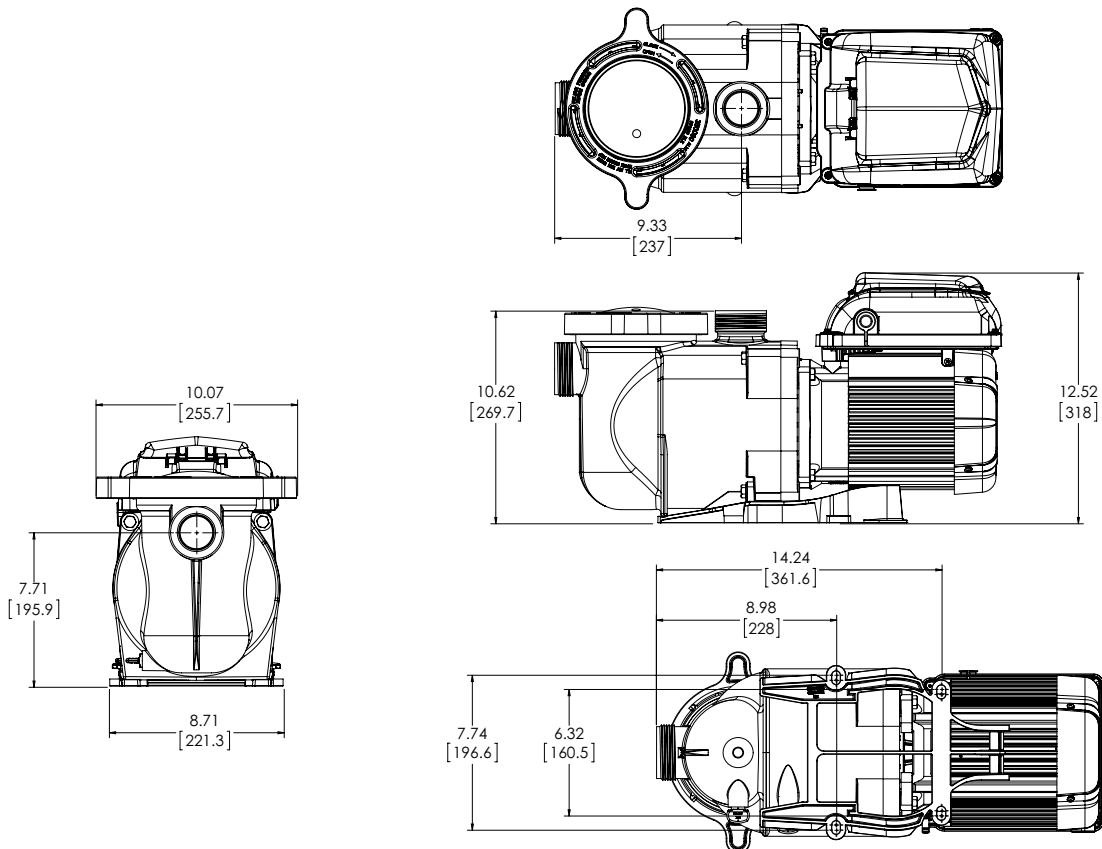
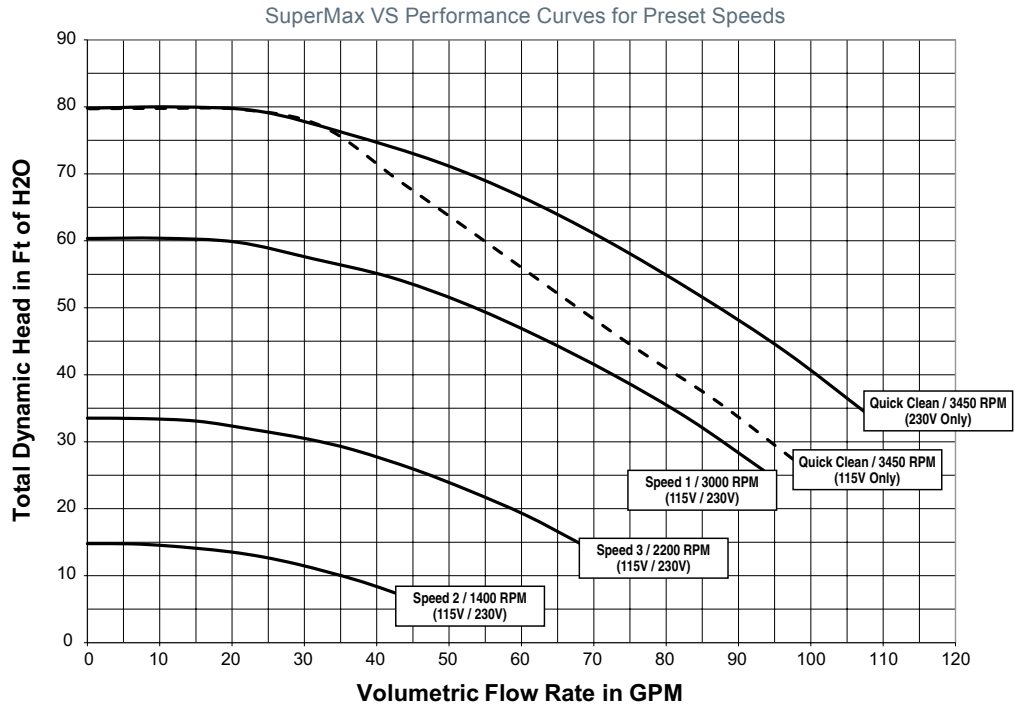
⁴ Product may have been evaluated to other state and local regulatory standards. Listing status may change. Always confirm status with appropriate agency if in doubt.

* Hayward® and Super Pump® are registered trademarks of Hayward Industries, Inc.

SUPERMAX® VS

VARIABLE SPEED PUMPS (CONT'D)

Dimensions and Performance



See page 532 for replacement parts.

SUPERMAX®

HIGH PERFORMANCE PUMPS



TRADEGRADE



SuperMax Pump

The SuperMax pump features a commercial grade, 56 square flange motor for top performance in residential swimming pools. SuperMax pump is a superior drop-in replacement for Super Pump. Consumers enjoy its economical performance. Pool professionals benefit from its ease of installation and reliability.

Featured Highlights

- SuperMax pump by Sta-Rite is a direct replacement for the Hayward® * Super Pump® *
- Single and two-speed models ranging from 1/2 to 2-1/2 HP
- Cam and Ramp™ Lid locks and unlocks with a simple quarter turn
- Exterior thermoplastic resin withstands temperature extremes and delivers long life
- Unionized fittings included (1-1/2 in. internal slip and 2 in. external slip)



CALIFORNIA PROPOSITION 65 WARNING
 ⚠️ WARNING: Cancer and Reproductive Harm.
 ⚠️ AVERTISSEMENT: Peut Causer le Cancer et des Dommages au Système Reproducteur.
 ⚠️ ADVERTENCIA: Cáncer y Daño Reproductivo.
www.p65warnings.ca.gov

Ordering Information

Product	Model	Voltage	Full Load Amps	HP	SF	SFHP	Primary Listings and Certifications ⁴	Port Size (NPT)	Carton Wt. (Lbs.)	Curve Key
TEFC SUPER-DUTY SINGLE SPEED										
348147	SM N1 1FET	115/208-230	15.1/8.5-7.7	1	1.65	1.65	UL ¹ , NSF ²	1-1/2 in. x 1-1/2 in.	41	H
348148	SM N1 1-1/2FET	208-230	10.3-9.1	1-1/2	1.47	2.21	UL ¹ , NSF ²	1-1/2 in. x 1-1/2 in.	45	I
348149	SM N1 2FET	208-230	11.7-10.3	2	1.3	2.6	UL ¹ , NSF ²	1-1/2 in. x 1-1/2 in.	48	J
EFFICIENT SINGLE SPEED										
PHK2E6C-100L	N1-1/2AE-HP	115/208-230	8.8/4.5-4.4	1/2	1.90	0.95	UL ¹ , NSF ² , APSP ³	1-1/2 in. x 1-1/2 in.	38	E
PHK2E6D-101L	N1-3/4AE-HP	115/208-230	8.8/4.5-4.4	3/4	1.30	0.95	UL ¹ , APSP ³	1-1/2 in. x 1-1/2 in.	38	F
PHK2E6E-102L	N1-1AE-HP	115/208-230	12.8/7.0-6.4	1	1.25	1.25	UL ¹ , NSF ²	1-1/2 in. x 1-1/2 in.	38	G
PHK2E6F-103L	N1-1-1/2AE-HP	115/208-230	14.8/7.8-7.4	1-1/2	1.10	1.65	UL ¹ , NSF ²	1-1/2 in. x 1-1/2 in.	40	H
PHK2E6G-104L	N1-2AE-HP	208-230	9.6-8.8	2	1.10	2.20	UL ¹ , NSF ²	1-1/2 in. x 1-1/2 in.	48	I
PHK2EAA6G-105L	N1-2-1/2AE-HP	208-230	11.0-10.2	2-1/2	1.04	2.60	UL ¹ , NSF ²	11-1/2 in. x 1-1/2 in.	54	J
STANDARD SINGLE SPEED										
PHK2RA6C-100L	N1-1/2F-HP	115/208-230	10.8/5.2-5.4	1/2	1.95	0.95	UL ¹ , NSF ² , APSP ³	1-1/2 in. x 1-1/2 in.	38	E
PHK2RA6D-101L	N1-3/4A-HP	115/208-230	10.8/5.2-5.4	3/4	1.25	0.93	UL ¹ , NSF ² , APSP ³	1-1/2 in. x 1-1/2 in.	38	F
PHK2RA6E-102L	N1-1A-HP	115/208-230	13.2/6.2-6.6	1	1.25	1.25	UL ¹ , NSF ²	1-1/2 in. x 1-1/2 in.	38	G
PHK2RA6F-103L	N1-1-1/2A-HP	115/208-230	16.0/7.8-8.0	1-1/2	1.10	1.65	UL ¹ , NSF ²	1-1/2 in. x 1-1/2 in.	40	H
PHK2RA6G-104L	N1-2A-HP	115/208-230	21.0/10.0-10.5	2	1.10	2.20	UL ¹ , NSF ²	1-1/2 in. x 1-1/2 in.	48	I
PHK2RAA6G-105L	N1-2-1/2A-HP	208-230	11.5-11.0	2-1/2	1.04	2.60	UL ¹ , NSF ²	1-1/2 in. x 1-1/2 in.	54	J
EFFICIENT TWO SPEED 3450 RPM, LOW SPEED 1725 RPM										
PHK2RAY6D-101	N2-3/4A-HP	115	14.6/4.7	3/4	1.67	1.25	UL ¹ , NSF ² , APSP ³	1-1/2 in. x 1-1/2 in.	39	A, F
PHK2RAY6E-102L	N2-1A-HP	230	6.0/2.3	1	1.25	1.25	UL ¹ , NSF ² , APSP ³	1-1/2 in. x 1-1/2 in.	39	B, G
PHK2RAY6F-103L	N2-1-1/2A-HP	230	7.8/3.0	1-1/2	1.10	1.65	UL ¹ , NSF ² , APSP ³	1-1/2 in. x 1-1/2 in.	41	C, H
PHK2RAY6G-104L	N2-2A-HP	230	10.0/3.5	2	1.10	2.20	UL ¹ , NSF ² , APSP ³	1-1/2 in. x 1-1/2 in.	49	D, I
ACCESSORIES										
351157	Union Kit – 1-1/2 in. Internal Slip x 2 in. External Slip - includes 2								1	

¹ 'UL' indicates that pump bears a UL mark signifying evaluation to U.S. Standards UL1081 for Permanently Connected Swimming Pool and Spa Pumps and to Canadian Standards CAN/CSA C22.2 No. 108-01 Liquid Pumps For Swimming Pools Only (Enclosure 3).

² 'NSF' indicates that pump bears a mark signifying evaluation to NSF Standard 50 For Self-Priming Centrifugal Pumps For Swimming Pools Only.

³ 'APSP' Pump has been evaluated to ANSI/APSP/ICC-15 and California Title 20 and is certified to use on Residential Swimming Pool Filtration Systems.

Product may have been evaluated to other state and local regulatory standards. Listing status may change. Always confirm status with appropriate agency if in doubt.

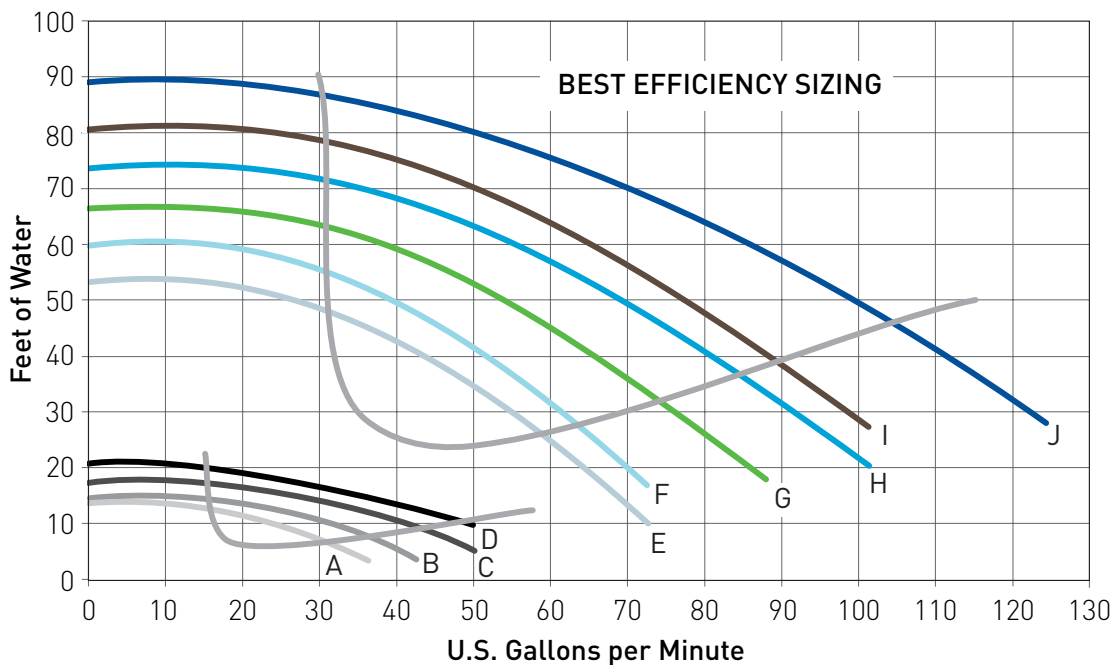
• **Pumps and replacement motors that are single speed and one (1) Total HP or greater cannot be sold, offered for sale, or installed in a residential pool for filtration use in California, Title 20 CCR sections 1601-1609.**

* Hayward® and Super Pump® are registered trademarks of Hayward Industries, Inc.

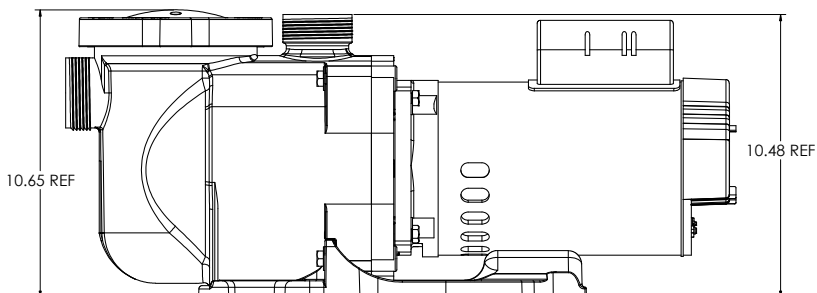
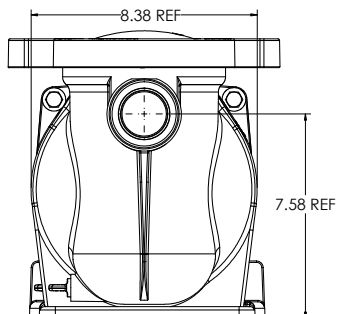
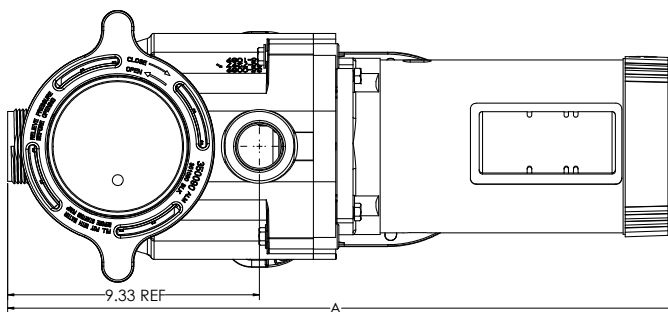
SUPERMAX[®]

HIGH PERFORMANCE PUMPS (CONT'D)

Dimensions and Performance



A- VARYING LENGTH			
HP	STD EFF	EE	1PH TEFC
.5	23.89	24.64	
.75	23.89	24.64	
1	23.89	24.64	22.00
1.5	24.27	24.89	22.45
2	25.89	25.39	22.9
2.5	25.89	25.89	



See page 533 for replacement parts.

DYNA-PRO®

SELF-PRIMING MEDIUM HEAD POOL/SPA PUMPS



TRADEGRADE



Dyna-Pro Pump

A rapid, self-priming, medium head pump in 1/2 through 2-1/2 HP with an extra large, integral hair and lint strainer. Precision-molded with Sta-Rite's innovative thermoplastic composite resin that is highly corrosion resistant.

Featured Highlights

- Superior hydraulic design delivers effortless performance and extended pump life
- High-capacity trap holds a large amount of debris for longer periods between cleanings
- The Cam and Ramp™ Lid is easy to remove and locks in place with a quarter turn, making inspection and cleaning a breeze
- Includes quick-disconnect plumbing unions for faster disassembly and easier service

CALIFORNIA PROPOSITION 65 WARNING

⚠ WARNING: Cancer and Reproductive Harm.
⚠ AVERTISSEMENT: Peut Causer le Cancer et des Dommages au Système Reproducteur.
⚠ ADVERTENCIA: Cáncer y Daño Reproductivo.
www.p65warnings.ca.gov

Ordering Information

Product	Voltage	Full. Load Amps	HP	SF	SFHP	Primary Listings and Certifications ⁴	Port Size (NPT)	Carton Wt. (Lbs.)	Curve Key	
EFFICIENT SINGLE SPEED FULL RATED										
MPE6C-204L	115/230	11.0/5.5	1/2	1.90	0.95	UL ¹ , NSF ² , APSP ³	2 in. x 2 in.	37	D	
MPE6D-205L	115/230	13.8/6.9	3/4	1.65	1.23	UL ¹ , NSF ²	2 in. x 2 in.	39	E	
MPE6E-206L	115/230	16.0/8.0	1	1.65	1.65	UL ¹ , NSF ²	2 in. x 2 in.	44	F	
MPE6F-207L	230	10.4	1-1/2	1.47	2.20	UL ¹ , NSF ²	2 in. x 2 in.	51	G	
MPE6G-208L	230	11.2	2	1.30	2.60	UL ¹ , NSF ²	2 in. x 2 in.	54	H	
EFFICIENT SINGLE SPEED UP RATED										
MPEA6D-204L	115/230	11.0/5.5	3/4	1.27	0.95	UL ¹ , NSF ² , APSP ³	2 in. x 2 in.	37	D	
MPEA6E-205L	115/230	13.8/6.9	1	1.25	1.25	UL ¹ , NSF ²	2 in. x 2 in.	39	E	
MPEA6F-206L	115/230	16.0/8.0	1-1/2	1.10	1.65	UL ¹ , NSF ²	2 in. x 2 in.	44	F	
MPEA6G-207L	230	10.4	2	1.10	2.20	UL ¹ , NSF ²	2 in. x 2 in.	51	G	
MPEAA6G-208L	230	11.2	2-1/2	1.04	2.60	UL ¹ , NSF ²	2 in. x 2 in.	54	H	
STANDARD SINGLE SPEED UP RATED										
MPRA6D-204L	115/230	13.4/6.7	3/4	1.27	0.95	UL ¹ , NSF ²	2 in. x 2 in.	35	D	
MPRA6E-205L	115/230	15.3/7.6	1	1.25	1.25	UL ¹ , NSF ²	2 in. x 2 in.	37	E	
MPRA6F-206L	115/230	19.2/9.6	1-1/2	1.10	1.65	UL ¹ , NSF ²	2 in. x 2 in.	42	F	
MPRA6G-207L	230	12.0	2	1.10	2.20	UL ¹ , NSF ²	2 in. x 2 in.	49	G	
EFFICIENT TWO SPEED 3450 RPM, LOW SPEED 1725 RPM UP RATED										
MPEA6YG-207L	230	10.1/3.7	2	1.10	2.20	UL ¹ , NSF ² , APSP ³	2 in. x 2 in.	53	B, G	
MPEAA6YG-208L	230	11.9/3.5	2-1/2	1.04	2.60	UL ¹ , NSF ² , APSP ³	2 in. x 2 in.	57	C, H	
STANDARD TWO SPEED 3450 RPM, LOW SPEED 1725 RPM UP RATED										
MPRA6YF-206L	230	9.2/2.5	1-1/2	1.10	1.65	UL ¹ , NSF ² , APSP ³	2 in. x 2 in.	45	A, F	
ACCESSORIES										
77703-0100	2 in. Union Half x 1-1/2 in. FPT – Package Of Two								1	
77703-0101	2 in. Union Half x 1-1/2 in. Slip – Package Of Two								1	
PKG 188Z	2 in. Union Half x 2 in. Slip – Package Of Two								1	
PKG 189	2 in. Union Half x 2 in. FPT – Package Of Two								1	
17350-0008	Rubber Pump Base Pad								1	

¹ 'UL' indicates that pump bears a specific UL mark signifying evaluation to U.S. Standards UL1081 for Permanently Connected Swimming Pool and Spa Pumps and to Canadian Standards CAN/CSA C22.2 No. 108-01 Liquid Pumps For Swimming Pools And Spas. (Enclosure 3).

² 'NSF' indicates that pump bears a mark signifying evaluation to NSF Standard 50 For Self-Priming Centrifugal Pumps For Swimming Pools, Spas and Hot Tubs.

³ 'APSP' Pump has been evaluated to ANSI/APSP/ICC-15 and California Title 20 and is certified to use on Residential Swimming Pool Filtration Systems.

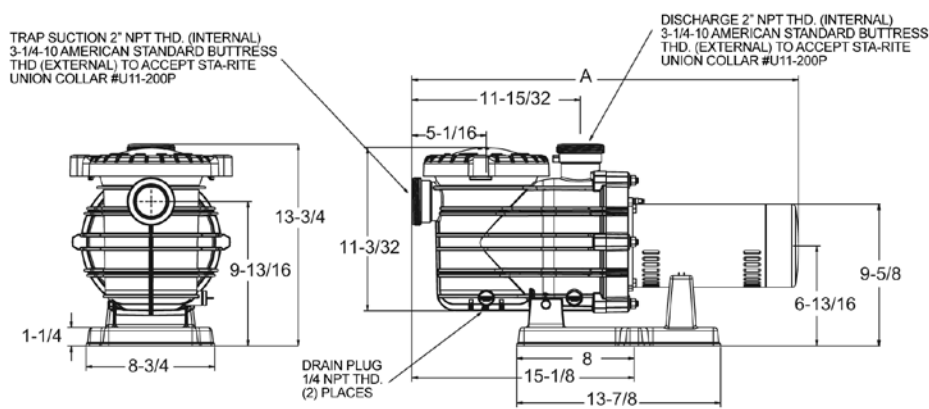
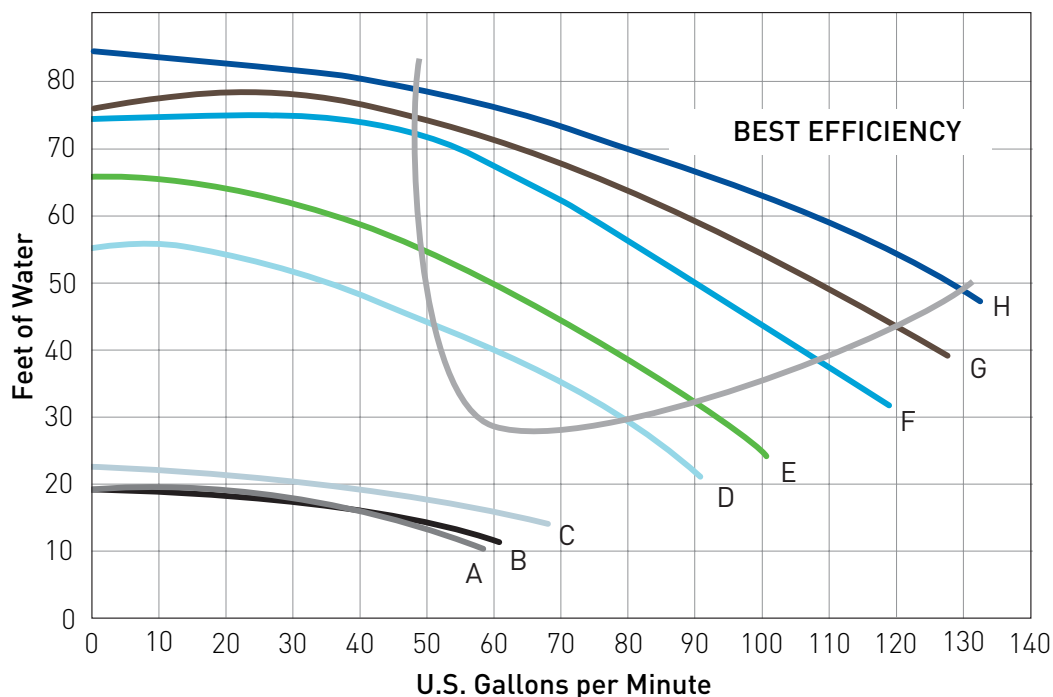
⁴ Product may have been evaluated to other state and local regulatory standards. Listing status may change. Always confirm status with appropriate agency if in doubt.

• **Pumps and replacement motors that are single speed and one (1) Total HP or greater cannot be sold, offered for sale, or installed in a residential pool for filtration use in California, Title 20 CCR sections 1601-1609.**

DYNA-PRO[®]

SELF-PRIMING MEDIUM HEAD POOL/SPA PUMPS

Dimensions and Performance



Catalog Number	Dimension "A"
MPRA6DL	25-1/8
MPRA6EL	25-1/2
MPRA6FL	26-1/2
MPRA6GL	27
MPRA6YFL	26-1/2
MPEA6DL	25-5/8
MPEA6EL	26
MPEA6FL	26-5/8
MPEA6GL	26-5/8
MPEAA6GL	27-1/4
MPEA6YGL	26-5/8
MPEAA6YGL	27-1/4

All dimensions shown in inches.

See page 534 for replacement parts.

DYNA-WAVE®

SELF-PRIMING LOW-HEAD WATER FEATURE PUMP



TRADEGRADE



Dyna-Wave Pump

The Dyna-Wave Water Feature pump is a self-priming low-head pump ideal for water feature applications such as small fountains, waterfalls, and garden/koj ponds. Quiet and efficient, this versatile pump is designed to work in those installations calling for little resistance and high flows.

Featured Highlights

- Typical Installation – Fountains, ponds, waterfalls
- Efficient – Provides up to 30 gallons a minute per amp (at 230V)
- Quality Construction – Durable wet-end constructed of Sta-Rite’s industry leading glass-reinforced composite resin
- Multiple Plumbing Options – 2 in. Ports include internal NPT threads and external threads for quick-connect unions. Unions available in 1-1/2 in. and 2 in. slip and NPT. Unions not included.
- Low Maintenance – Extra large trap basket holds more debris, which means less cleaning. The clear polycarbonate lid lets you see when it’s time to empty the basket
- Quiet – The hydraulically balanced design and low speed motor make the Dyna-Wave Water Feature pump the quietest pump of its kind in the market
- Self-Priming – Will prime up to 5 ft. above water level

CALIFORNIA PROPOSITION 65 WARNING
 ⚠️ **WARNING:** Cancer and Reproductive Harm.
 ⚠️ **AVERTISSEMENT:** Peut Causer le Cancer et des Dommages au Système Reproducteur.
 ⚠️ **ADVERTENCIA:** Cáncer y Daño Reproductivo.
www.p65warnings.ca.gov PK200174

Ordering Information

Product	Voltage	Full Load Amps	HP	SF	SFHP	Primary Listings and Certifications ³	Port Size (NPT)	Carton Wt. (Lbs.)
EFFICIENT SINGLE SPEED								
MPRA6B-202L	115/230	4.8/2.4	1/3	1.0	1/3	UL ¹ , NSF ²	2 in. x 2 in.	35
ACCESSORIES								
77703-0100	2 in. Union Half x 1-1/2 in. FPT – Package Of Two							1
77703-0101	2 in. Union Half x 1-1/2 in. Slip – Package Of Two							1
PKG 188Z	2 in. Union Half x 2 in. Slip – Package Of Two							1
PKG 189	2 in. Union Half x 2 in. FPT – Package Of Two							1
17350-0008	Rubber Pump Base Pad							1

¹ 'UL(1)' indicates that pump bears a specific UL mark signifying evaluation to U.S. Standards UL1081 for Permanently Connected Swimming Pool and Spa Pumps and to Canadian Standards CAN/CSA C22.2 No. 108-01 Liquid Pumps For Swimming Pools And Spas. (Enclosure 3).

² 'NSF' indicates that pump bears a mark signifying evaluation to NSF Standard 50 For Self-Priming Centrifugal Pumps For Swimming Pools, Spas and Hot Tubs.

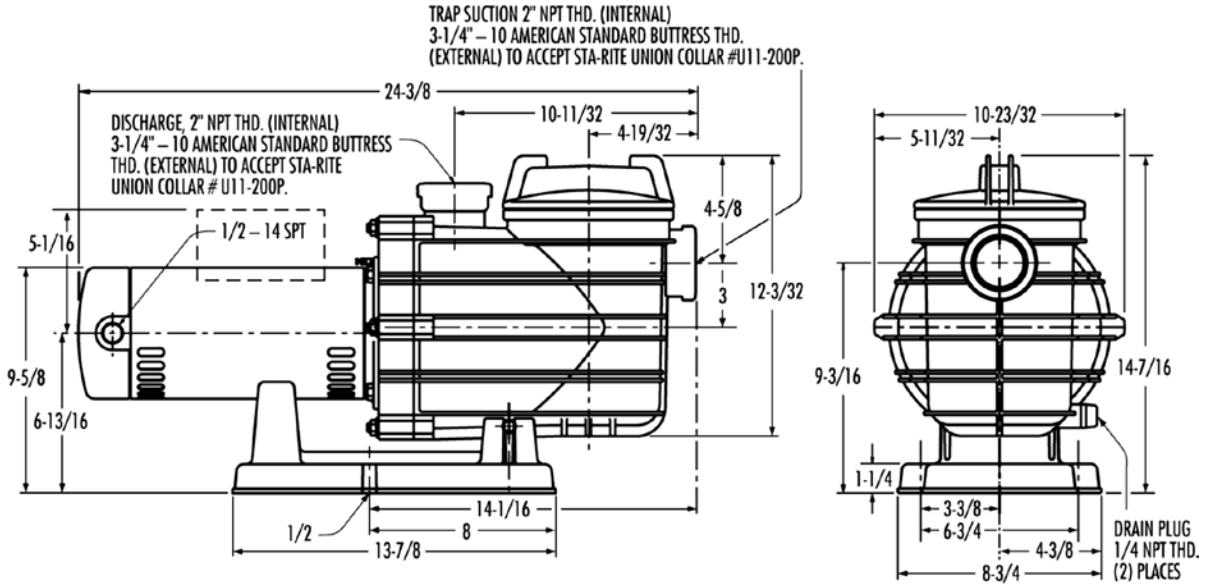
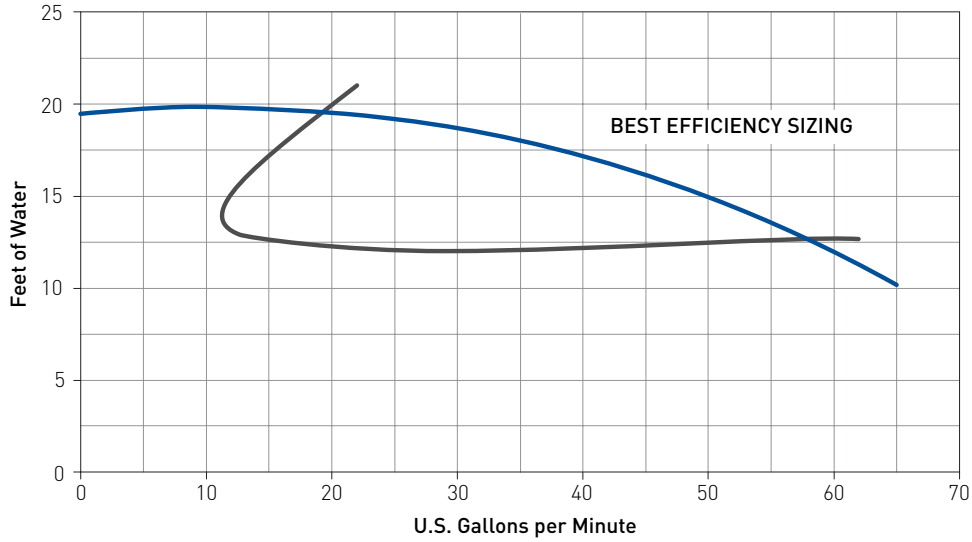
³ Product may have been evaluated to other state and local regulatory standards. Listing status may change. Always confirm status with appropriate agency if in doubt.

• **Pumps and replacement motors that are single speed and one (1) Total HP or greater cannot be sold, offered for sale, or installed in a residential pool for filtration use in California, Title 20 CCR sections 1601-1609.**

DYNA-WAVE®

SELF-PRIMING LOW-HEAD WATER FEATURE PUMP (CONT'D)

Dimensions and Performance



All dimensions shown in inches.

DYNA-JET™

SPA/WATER FEATURES PUMP TPE AND TPR SERIES



TRADEGRADE



Dyna-Jet Pump

Featured Highlights

- For residential/commercial use, indoor or outdoor installation
- A spa and water features pump in the Sta-Rite tradition of Dura-Glas® Pumps
- Precision-molded of a blend of glass-reinforced thermoplastic that is highly corrosion resistant
- Ideal pump where warm water service, high flow, and quiet operation are required

For residential/commercial use, indoor or outdoor installation. A spa and water features pump in the Sta-Rite tradition of Dura-Glas pumps. Precision-molded of a proprietary blend of glass-reinforced thermoplastic that is highly corrosion resistant. Ideal pump where warm water service, high flow, and quiet operation are required.

CALIFORNIA PROPOSITION 65 WARNING

⚠️ **WARNING:** Cancer and Reproductive Harm.
 ⚠️ **AVERTISSEMENT:** Peut Causer le Cancer et des Dommages au Systeme Reproducteur.
 ⚠️ **ADVERTENCIA:** Cáncer y Daño Reproductivo.

www.p65warnings.ca.gov. PN20271A

Ordering Information

Product	Voltage	Full Load Amps	HP	SF	SFHP	Primary Listings and Certifications ²	Port Size (NPT)	Carton Wt. (Lbs.)	Curve Key
EFFICIENT SINGLE SPEED									
TPEAE-165L	115/230	12.6/6.3	1	1.25	1.25	UL ¹	2 in. x 2 in.	35	H
TPEAF-166L	115/230	16.0/8.0	1-1/2	1.10	1.65	UL ¹	2 in. x 2 in.	37	F
TPEAG-167L	230	10.4	2	1.10	2.20	UL ¹	2 in. x 2 in.	41	C
TPEAAG-168L	230	11.2	2-1/2	1.04	2.60	UL ¹	2 in. x 2 in.	43	A
STANDARD SINGLE SPEED									
TPRAF-174L	115/230	19.2/9.6	1-1/2	1.10	1.65	UL ¹	2 in. x 2 in.	33	G
TPRAG-175L	230	12	2	1.10	2.20	UL ¹	2 in. x 2 in.	37	E
EFFICIENT TWO SPEED 3450 RPM, LOW SPEED 1725 RPM UP RATED									
TPEAYG-175L	230	10.0/3.0	2 / 1/4	1.10	2.20	UL ¹	2 in. x 2 in.	43	D, J
TPEAAYG-168L	230	11.3/3.3	2-1/2 / 1/3	1.04	2.60	UL ¹	2 in. x 2 in.	45	B, I
ACCESSORIES									
77703-0105	Union Package- 2 in. x 1-1/2 in.- Includes two 2 in. collars, O-Rings, one each 1-1/2 in. and 2 in. slip adapters								1
77703-0108	Union Package- 2 in. x 2 in.- Includes two 2 in. collars, O-Rings, two 2 in. slip adapters								1
38405-4094	2 in. PVC Union Collar								4 oz.
38405-4095	2 in. PVC Slip Union Adapter								2 oz.
38405-4096	1-1/2 in. PVC Slip Union Adapter								2 oz.
35505-1244	O-Ring								
17350-0008	Rubber Pump Base Pad								1

¹ 'UL(1)' indicates that pump bears a specific UL mark signifying evaluation to U.S. Standards UL1081 for Permanently Connected Swimming Pool and Spa Pumps and to Canadian Standards CAN/CSA C22.2 No. 108-01 Liquid Pumps For Swimming Pools And Spas. (Enclosure 3).

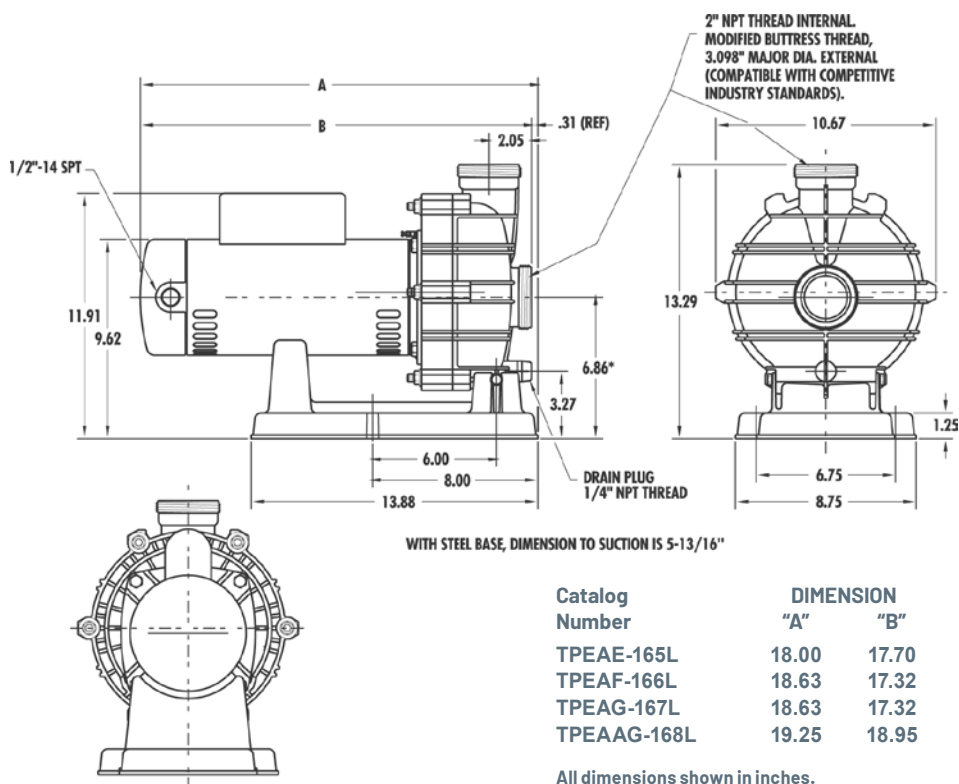
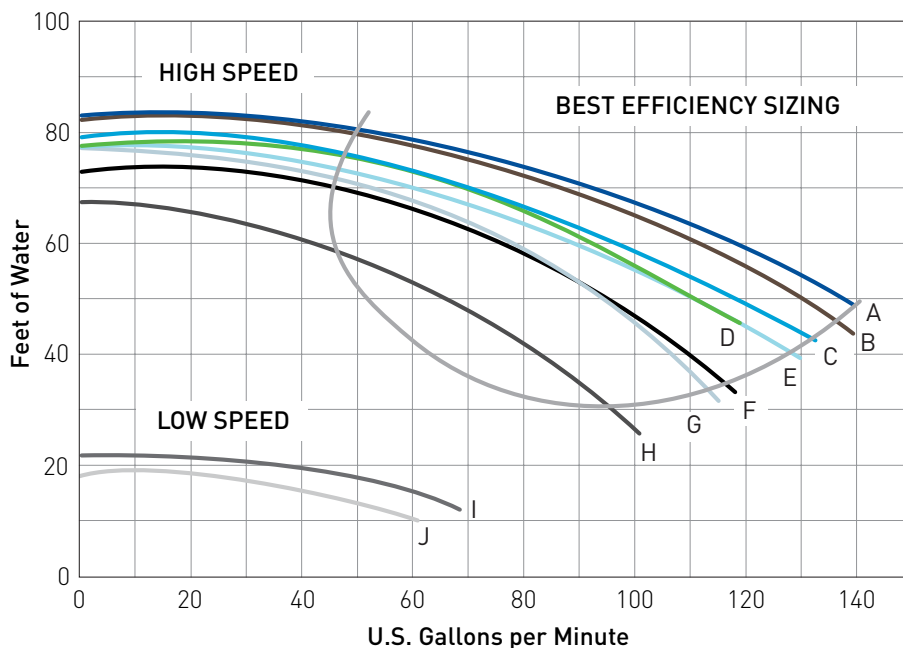
² Product may have been evaluated to other state and local regulatory standards. Listing status may change. Always confirm status with appropriate agency if in doubt.

- **Pumps and replacement motors that are single speed and one (1) Total HP or greater cannot be sold, offered for sale, or installed in a residential pool for filtration use in California, Title 20 CCR sections 1601-1609.**

DYNA-JET™

SPA/WATER FEATURES PUMP TPE AND TPR SERIES (CONT'D)

Dimensions and Performance



See page 555 for replacement parts.

DYNAMO® PUMP

FOR ABOVEGROUND POOLS



Dynamo Pump

All components are designed for performance and economy in an aboveground swimming pool pump.

Featured Highlights

- Self-priming design ensures long life
- Reinforced fiberglass for strength and durability
- Large capacity basket with see-through lid
- Diffuser and impeller for excellent flow rates
- Easy access drain plugs

CALIFORNIA PROPOSITION 65 WARNING

⚠ **WARNING:** Cancer and Reproductive Harm.
 ⚠ **AVERTISSEMENT:** Peut Causer le Cancer et des Dommages au Système Reproducteur.
 ⚠ **ADVERTENCIA:** Cáncer y Daño Reproductivo.
www.p65warnings.ca.gov

Ordering Information

Product	Model	Voltage	Full Load Amps	HP	Cord Length (Ft.)	Full Pipe Size	Carton Wt. (Lbs.)
SINGLE-SPEED WITH CORD							
340194	DYNII-N1- 3/4 HP	115V Only	9.2	3/4	3 ft. STD	1-1/2 in.	24
340314	DYNII-N1- 3/4 HP	115V Only	9.2	3/4	3 ft. TWL	1-1/2 in.	24
340197	DYNII-N1-1 HP	115V Only	12.0	1	3 ft. STD	1-1/2 in.	26
340316	DYNII-N1-1 HP	115V Only	12.0	1	3 ft. TWL	1-1/2 in.	26
340210	DYNII-N1-1-1/2 HP	115V Only	12.0	1-1/2	3 ft. STD	1-1/2 in.	26
351230	DYNII-N1-1-1/2 HP	115V Only	16.0	1-1/2	3 ft. STD	1-1/2 in.	26
347970	DYNII-N1-1-1/2 HP	115V Only	16.0	1-1/2	3 ft. TWL	1-1/2 in.	26
340219	DYNII-N1-2 HP	115V Only	16.0	2	3 ft. STD	1-1/2 in.	30
SINGLE-SPEED WITH CORD, BASE, AND ON/OFF SWITCH							
340288	DYNII-N1- 3/4 HP	115V Only	9.2	3/4	25 ft. STD	1-1/2 in.	29
340289	DYNII-N1-1 HP	115V Only	12.0	1	25 ft. STD	1-1/2 in.	31
340290	DYNII-N1-1-1/2 HP	115V/230V	16.0	1-1/2	25 ft. STD	1-1/2 in.	33
ONE-SPEED WITHOUT CORD							
340103	DYNII-N1- 3/4 HP	115V Only	9.2	3/4	N/A	1-1/2 in.	25
340104	DYNII-N1-1 HP	115V Only	12.0	1	N/A	1-1/2 in.	26
340106	DYNII-N1 1-1/2 HP	115/230V	16.0/8.0	1-1/2	N/A	1-1/2 in.	31
TWO-SPEED WITHOUT CORD							
340203	DYNII-N2- 3/4 HP	115V Only	8.8/2.6	3/4	N/A	1-1/2 in.	25
340204	DYNII-N2 1 HP	115V Only	11.0/2.9	1	N/A	1-1/2 in.	28
340206	DYNII-N2 1-1/2 HP	115V Only	16.4/4.4	1-1/2	N/A	1-1/2 in.	30
TWO-SPEED WITH CORD							
340060	DYNII-N2 - 1 HP	115V Only	11.0/2.9	1	3 ft. STD	1-1/2 in.	28
340062	DYNII-N2 - 1 HP	115V Only	11.0/2.9	1	3 ft. TWL	1-1/2 in.	28
340400	DYNII-N2 - 1 1/2 HP	115V Only	11.0/2.9	1-1/2	3 ft. STD	1-1/2 in.	28
340064	DYNII-N2 - 1 1/2 HP	115V Only	11.0/2.9	1-1/2	3 ft. TWL	1-1/2 in.	28
340542	DYNII-N2-1-1/2HP	115V Only	16.4/4.4	1-1/2	3 ft. TWL	1-1/2 in.	31
ACCESSORIES							
354113	Chemical Resistant Lid						

- Pumps and replacement motors that are single speed and one (1) Total HP or greater cannot be sold, offered for sale, or installed in a residential pool for filtration use in California, Title 20 CCR sections 1601-1609.

Note: TWL = Twist Lock Cord, STD = Standard Cord

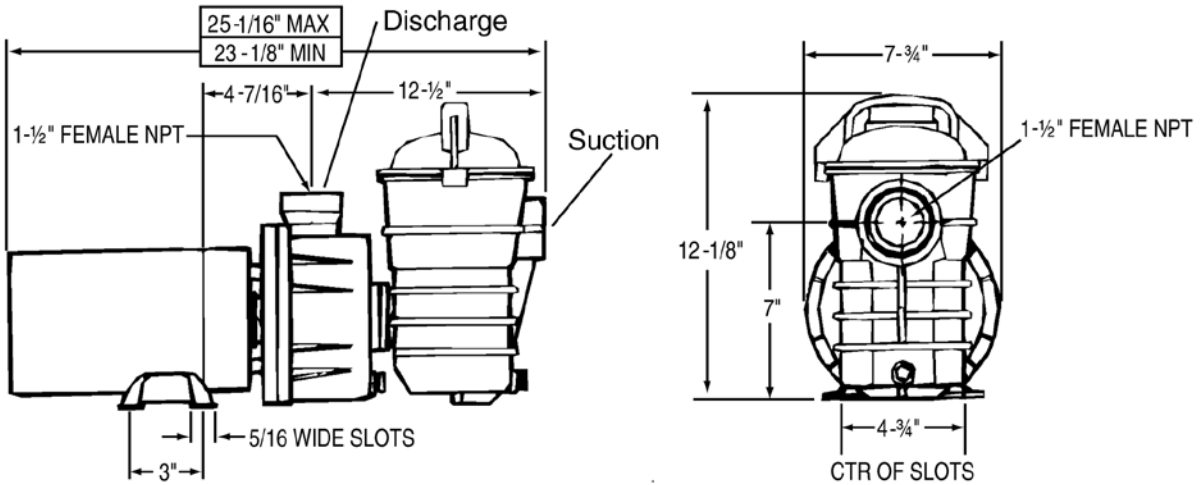
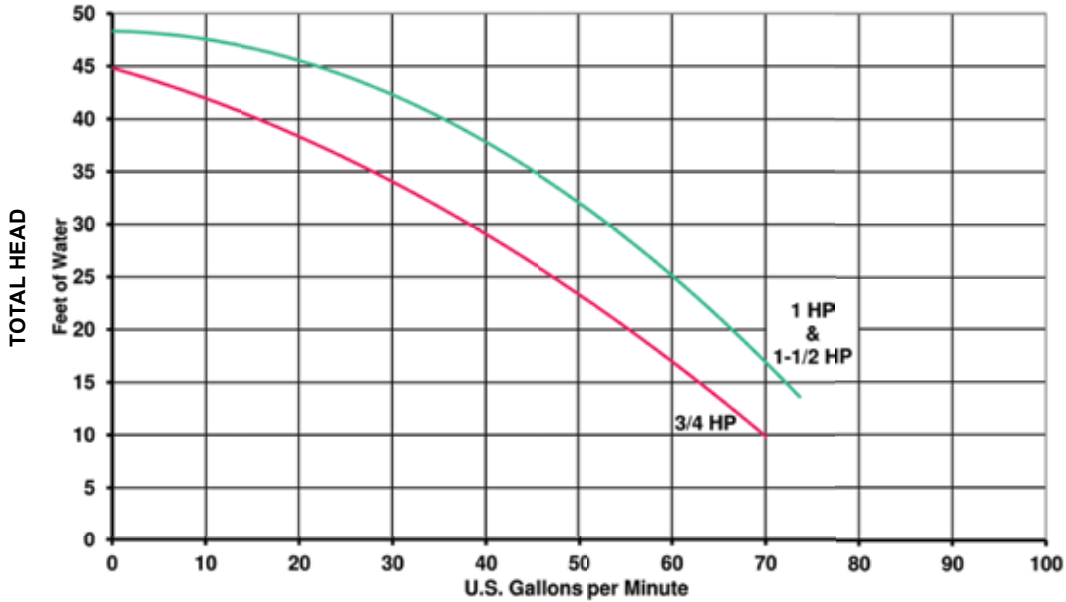
DYNAMO® PUMP

FOR ABOVEGROUND POOLS

Dimensions and Performance



**PUMP PERFORMANCE CURVE
DYNAMO PUMPS**



See page 536 for replacement parts.

OPTIFLO® PUMP

FOR ABOVEGROUND POOLS



OptiFlo Pump

OptiFlo pumps for aboveground pools feature a revolutionary design that delivers dependable high flow performance. The OptiFlo pump features a 48 frame-thru bolt motor, easy access to change the discharge port position, service the impeller, and an innovative Cam and Ramp lid. The OptiFlo pump is available with 3 ft. cord, with a twist lock or standard plug.

Featured Highlights

- Large strainer basket
- Cam and Ramp™ Lid lock
- See-through lid
- Unionized discharge port connection
- Easy to service
- User-friendly removable drain plugs
- Metal base on motor

CALIFORNIA PROPOSITION 65 WARNING

⚠ **WARNING:** Cancer and Reproductive Harm.
 ⚠ **AVERTISSEMENT:** Peut Causer le Cancer et des Dommages au Système Reproducteur.
 ⚠ **ADVERTENCIA:** Cáncer y Daño Reproductivo.
www.p65warnings.ca.gov

Ordering Information

Product	Discharge	Voltage	Full Load Amps	HP	Cord Length (Ft.)	Full Pipe Size	Carton Wt. (Lbs.)
CORDS W/ STANDARD PLUGS							
347981	Horizontal	115	9.2	3/4	3 ft. STD	1-1/2 in.	20
347984	Vertical	115	9.2	3/4	3 ft. STD	1-1/2 in.	20
347982	Horizontal	115	12	1	3 ft. STD	1-1/2 in.	22
347985	Vertical	115	12	1	3 ft. STD	1-1/2 in.	22
347983	Horizontal	115	16	1-1/2	3 ft. STD	1-1/2 in.	24
347986	Vertical	115	16	1-1/2	3 ft. STD	1-1/2 in.	24
340078	Horizontal	115	16	2	3 ft. STD	1-1/2 in.	24
CORDS W/ TWIST LOCK PLUGS							
340066	Horizontal	115	9.2	3/4	3 ft. TWL	1-1/2 in.	20
340065	Vertical	115	9.2	3/4	3 ft. TWL	1-1/2 in.	20
347988	Horizontal	115	12	1	3 ft. TWL	1-1/2 in.	22
347987	Vertical	115	12	1	3 ft. TWL	1-1/2 in.	22
347989	Horizontal	115	16	1-1/2	3 ft. TWL	1-1/2 in.	24
340067	Vertical	115	16	1-1/2	3 ft. TWL	1-1/2 in.	24
340069	Horizontal	115	16	2	3 ft. TWL	1-1/2 in.	24
TWO SPEED MOTORS							
347991	Horizontal	115	11.0/2.9	1	3 ft. STD	1-1/2 in.	22
347990	Vertical	115	11.0/2.9	1	3 ft. STD	1-1/2 in.	22
340071	Horizontal	115	11.0/2.9	1	3 ft. TWL	1-1/2 in.	22
340070	Vertical	115	11.0/2.9	1	3 ft. TWL	1-1/2 in.	22
340079	Horizontal	115	16.4/4.4	1-1/2	3 ft. STD	1-1/2 in.	24
347992	Vertical	115	16.4/4.4	1-1/2	3 ft. STD	1-1/2 in.	24
340073	Horizontal	115	16.4/4.4	1-1/2	3 ft. TWL	1-1/2 in.	24
340072	Vertical	115	16.4/4.4	1-1/2	3 ft. TWL	1-1/2 in.	24
340077	Horizontal	115	16.4/4.4	2	3 ft. STD	1-1/2 in.	24
340076	Horizontal	115	16.4/4.4	2	3 ft. TWL	1-1/2 in.	24

OPTIFLO® PUMP

FOR ABOVEGROUND POOLS (CONT'D)

Product	Discharge	Voltage	Full Load Amps	HP	Cord Length (Ft.)	Full Pipe Size	Carton Wt. (Lbs.)
CSA WITH 25 FOOT CORD							
347993	Horizontal	115	9.2	3/4	25 ft. STD	1-1/2 in.	20
347996	Vertical	115	9.4	3/4	25 ft. STD	1-1/2 in.	20
347994	Horizontal	115	12.0	1	25 ft. STD	1-1/2 in.	22
347997	Vertical	115	12.0	1	25 ft. STD	1-1/2 in.	22
347995	Horizontal	115/230	16.0	1-1/2	25 ft. STD	1-1/2 in.	24
347998	Vertical	115/230	16.0	1-1/2	25 ft. STD	1-1/2 in.	24
60 Hz MOTORS WITHOUT CORD AND SWITCH							
340088	Vertical	230	4.6	3/4	N/A	1-1/2 in.	20
340089	Vertical	230	6.0	1	N/A	1-1/2 in.	22
340090	Vertical	230	8.0	1-1/2	N/A	1-1/2 in.	24
50 Hz MOTORS WITHOUT CORD AND SWITCH							
340056	Vertical	230	5.0	3/4	N/A	1-1/2 in.	20
340057	Vertical	230	6.2	1	N/A	1-1/2 in.	22
340058	Vertical	230	7.8	1-1/2	N/A	1-1/2 in.	24

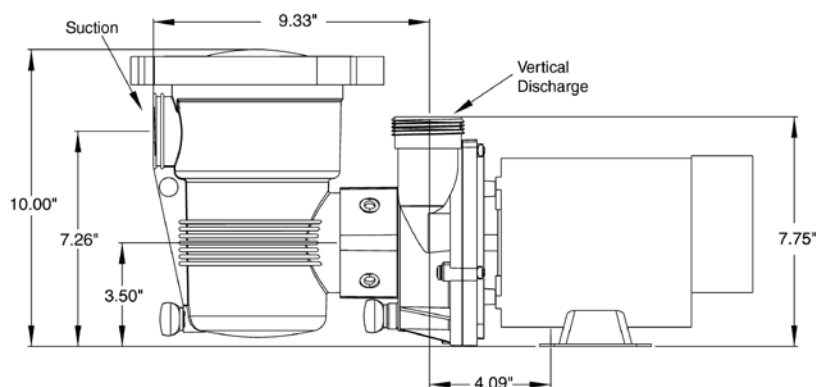
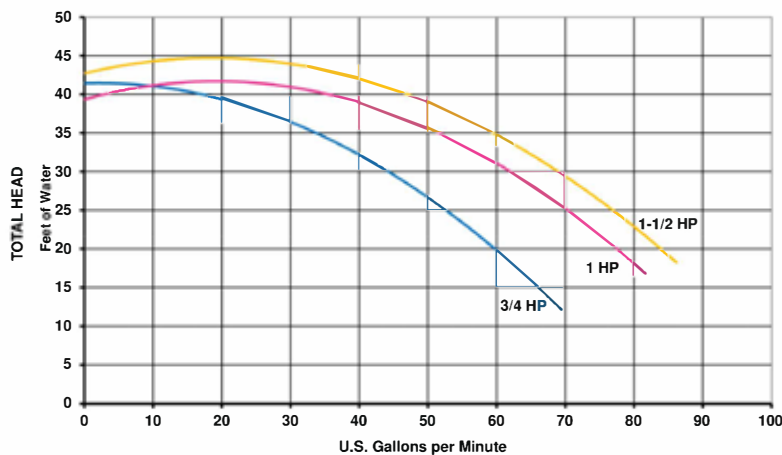
- Pumps and replacement motors that are single speed and one (1) Total HP or greater cannot be sold, offered for sale, or installed in a residential pool for filtration use in California, Title 20 CCR sections 1601-1609.

Note: TWL = Twist Lock Cord, STD = Standard Cord

Dimensions and Performance



PUMP PERFORMANCE CURVE
115 VAC 60 Hz



See page 535 for replacement parts.

STA-RITE® DYNAMO® PUMP

FOR ABOVEGROUND POOLS



Sta-Rite
Dynamo
Aboveground
Pool Pump

Sta-Rite Dynamo pump has exceptionally quiet operation and high-flow performance. Constructed of Sta-Rite's rugged thermoplastic resin. Large-capacity trap and an all-weather, smooth-running motor.

Featured Highlights

- Typical Installation – Ideal for aboveground pool
- Years of Service – Stands tough against temperature and weather extremes
- High-Flow – Designed to move large amounts of water at lower restrictions
- External Threads – Discharge port features external threads for quick-connect unions

CALIFORNIA PROPOSITION 65 WARNING

⚠ **WARNING:** Cancer and Reproductive Harm.
 ⚠ **AVERTISSEMENT:** Peut Causer le Cancer et des Dommages au Système Reproducteur.
 ⚠ **ADVERTENCIA:** Cáncer y Daño Reproductivo.
www.p65warnings.ca.gov

Ordering Information

Product	Motor Voltage	Nominal HP	Load Amps	Full Pipe Size	Carton Wt. (Lbs.)
SINGLE SPEED WITH 3 FT. STANDARD CORD					
351233SR	115	1/2	9.2	1-1/2 in.	24
340194SR	115	3/4	9.2	1-1/2 in.	24
340197SR	115	1	12.0	1-1/2 in.	26
340210SR	115	1-1/2	12.0	1-1/2 in.	26
351230SR	115	1-1/2	16.0	1-1/2 in.	26
340219SR	115	2	16.0	1-1/2 in.	26
SINGLE SPEED WITH 3 FT. TWIST LOCK CORD					
340314SR	115	3/4	9.2	1-1/2 in.	24
340316SR	115	1	12.0	1-1/2 in.	27
347970SR	115	1-1/2	16.0	1-1/2 in.	30
SINGLE SPEED WITHOUT CORD					
340103SR	115	3/4	9.2	1-1/2 in.	25
340104SR	115	1	12.0	1-1/2 in.	26
340106SR	115/230	1-1/2	16.0	1-1/2 in.	31
SINGLE SPEED WITH 25 FT. STANDARD CORD					
340288SR	115	3/4	9.2	1-1/2 in.	29
340289SR	115	1	12.0	1-1/2 in.	31
340290SR	115/230	1-1/2	16.0	1-1/2 in.	33
TWO SPEED WITH 3 FT. STANDARD CORD					
340207SR	115	3/4	8.8/2.6	1-1/2 in.	26
340060SR	115	1	11.0/2.9	1-1/2 in.	29
340400SR	115	1-1/2	11.0/2.9	1-1/2 in.	29
TWO SPEED WITH 3 FT. TWIST LOCK CORD					
340209SR	115	3/4	8.8/2.6	1-1/2 in.	26
340062SR	115	1	11.0/2.9	1-1/2 in.	29
340542SR	115	1-1/2	16.4/4.4	1-1/2 in.	31
50 Hz MOTORS WITHOUT CORD AND SWITCH					
340119SR	230	3/4	5.0	1-1/2 in.	25
340175SR	230	1	6.2	1-1/2 in.	26
345550SR	230	1-1/2	7.8	1-1/2 in.	31
ACCESSORIES					
354113	Chemical Resistant Lid				

- Pumps and replacement motors that are single speed and one (1) Total HP or greater cannot be sold, offered for sale, or installed in a residential pool for filtration use in California, Title 20 CCR sections 1601-1609.

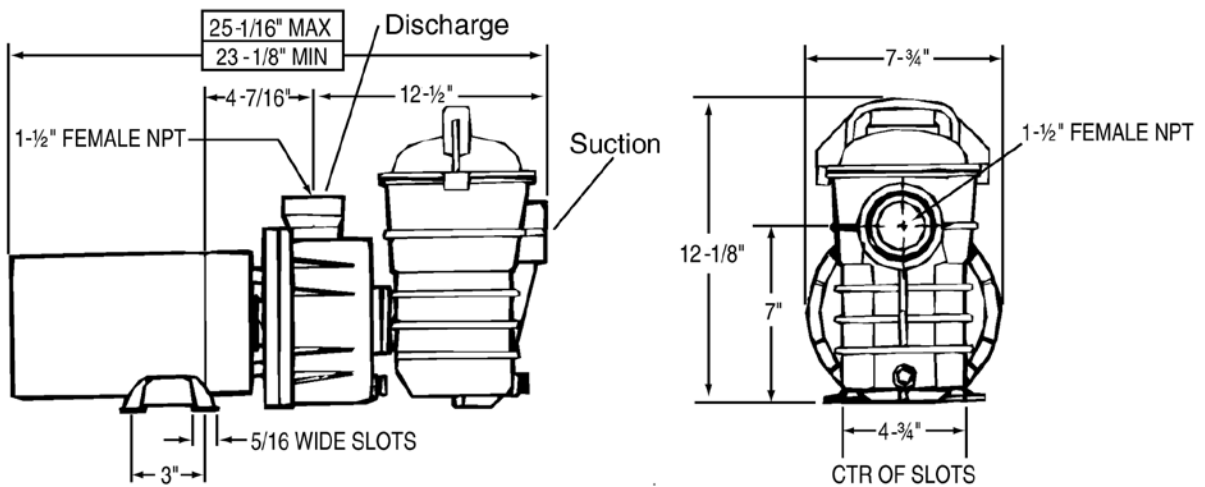
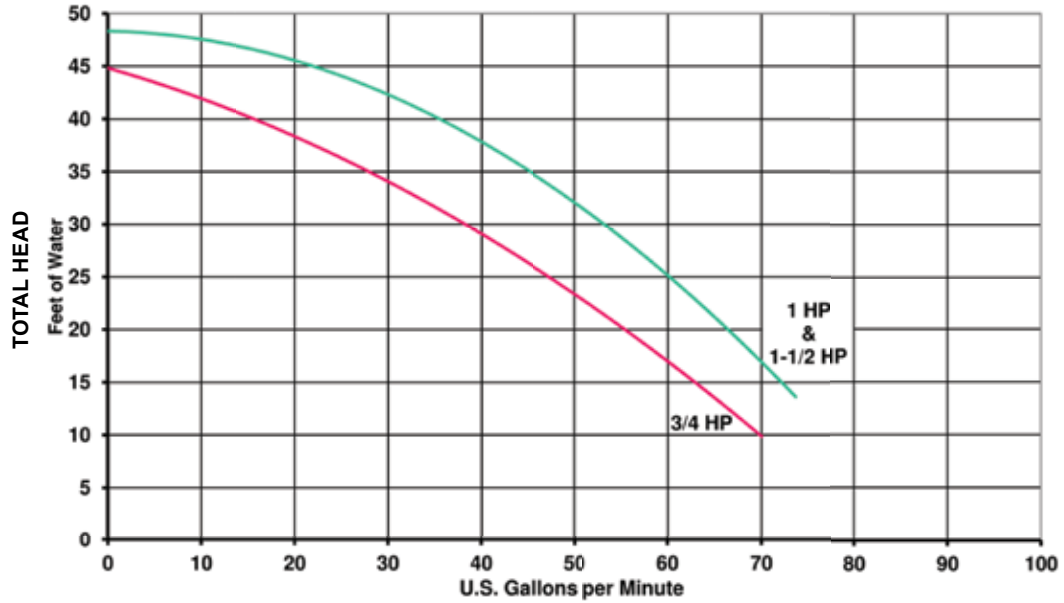
STA-RITE® DYNAMO® PUMP

FOR ABOVEGROUND POOLS (CONT'D)

Dimensions and Performance



**PUMP PERFORMANCE CURVE
DYNAMO PUMPS**



See pages 536 for replacement parts.

STA-RITE® OPTIFLO® PUMP

FOR ABOVEGROUND POOLS



Sta-Rite OptiFlo Pool Pump

Sta-Rite OptiFlo Pump has exceptionally quiet operation and high-flow performance. Constructed of Sta-Rite's rugged thermoplastic resin. Large 5-1/2 in. capacity trap and an all-weather, smooth-running motor.

Featured Highlights

- User-friendly removable drain plugs
- Cam and Ramp™ Lid lock
- Typical Installation – Ideal for aboveground pools
- Years of Service – Stands tough against temperature and weather extremes
- External Threads – Discharge port features external threads for quick-connect unions

CALIFORNIA PROPOSITION 65 WARNING

⚠ **WARNING:** Cancer and Reproductive Harm.
 ⚠ **AVERTISSEMENT:** Peut Causer le Cancer et des Dommages au Système Reproducteur.
 ⚠ **ADVERTENCIA:** Cáncer y Daño Reproductivo.
www.p65warnings.ca.gov

Ordering Information

Product	Discharge	Motor Voltage	Nominal HP	Load Amps	Full Pipe Size	Carton Wt. (Lbs.)
SINGLE SPEED WITH 3 FT. STANDARD CORD						
347981SR	Horiz.	115	3/4	9.2	1-1/2 in.	20
347982SR	Horiz.	115	1	12.0	1-1/2 in.	22
347983SR	Horiz.	115	1-1/2	16.0	1-1/2 in.	24
SINGLE SPEED WITH 3 FT. TWIST LOCK CORD						
340066SR	Horiz.	115	3/4	9.2	1-1/2 in.	20
347988SR	Horiz.	115	1	12.0	1-1/2 in.	22
347989SR	Horiz.	115	1-1/2	16.0	1-1/2 in.	24
SINGLE SPEED WITH 25 FT. STANDARD CORD						
347993SR	Horiz.	115	3/4	9.2	1-1/2 in.	20
347994SR	Horiz.	115	1	12.0	1-1/2 in.	22
347995SR	Horiz.	115/230	1-1/2	16.0	1-1/2 in.	24
TWO SPEED WITH 3 FT. STANDARD CORD						
347991SR	Horiz.	115	1	11.0/2.9	1-1/2 in.	22
340079SR	Horiz.	115	1-1/2	16.4/4.4	1-1/2 in.	24
TWO SPEED WITH 3 FT. TWIST LOCK CORD						
340071SR	Horiz.	115	1	11.0/2.9	1-1/2 in.	22
340073SR	Horiz.	115	1-1/2	16.4/4.4	1-1/2 in.	24
50 Hz MOTORS WITHOUT CORD AND SWITCH						
340056SR	Vert.	230	3/4	5.0	1-1/2 in.	20
340057SR	Vert.	230	1	6.2	1-1/2 in.	22
340058SR	Vert.	230	1-1/2	7.8	1-1/2 in.	24

- Pumps and replacement motors that are single speed and one (1) Total HP or greater cannot be sold, offered for sale, or installed in a residential pool for filtration use in California, Title 20 CCR sections 1601-1609.

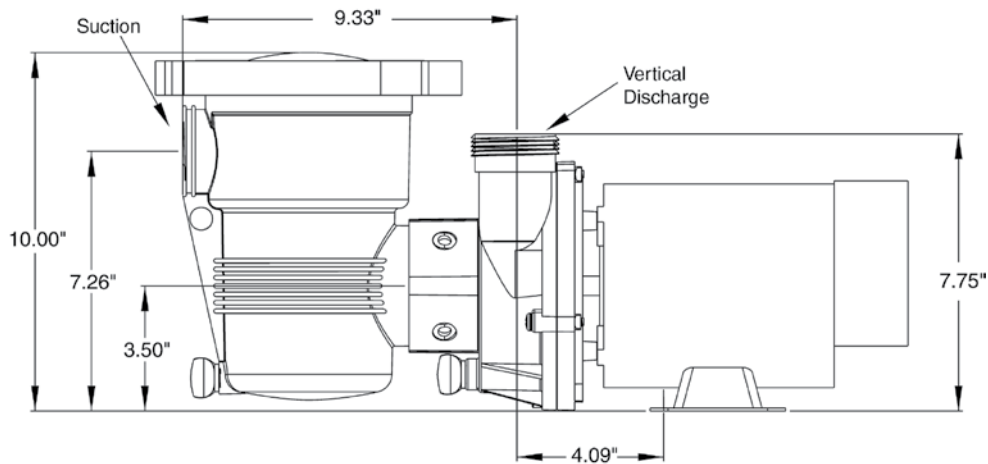
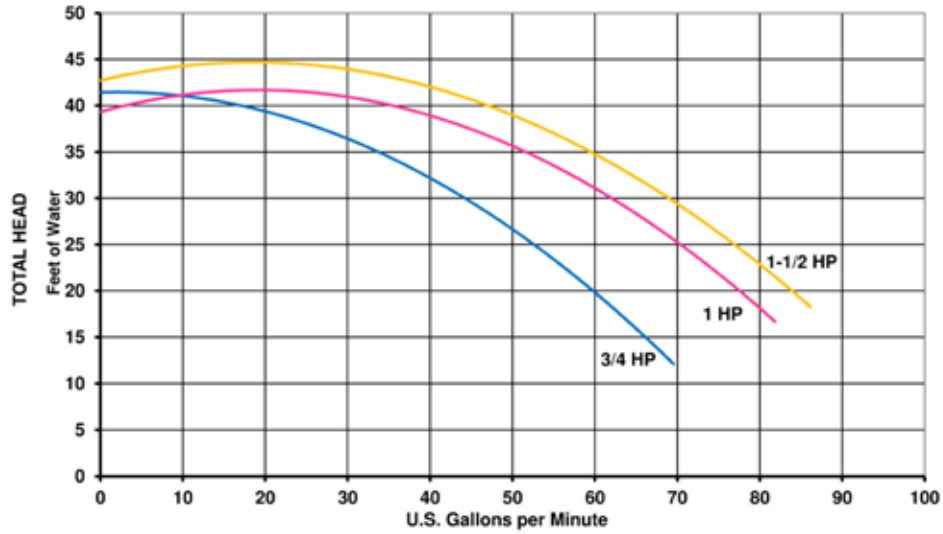
STA-RITE® OPTIFLO® PUMP

FOR ABOVEGROUND POOLS (CONT'D)

Dimensions and Performance



PUMP PERFORMANCE CURVE
OptiFlo PUMPS



See page 535 for replacement parts.

WHISPERFLOXF[®] VS COMMERCIAL VARIABLE SPEED PUMP



WhisperFloXF VS Pump



Featured Highlights

- Integrated 5HP motor/drive; no expensive external drive required
- Versatile power input capability; runs off a wide range of single- or three-phase power
- Speed or flow control for maximum efficiency and pool performance*
- External control capability through automation systems or relays
- Intuitive programming and operation
- Meets commercial codes and agency requirements
- WEF 5.0 THP 5.0

The first variable speed pump that runs on single-phase or three-phase power. It's economical, combined motor/drive solution for HMAc (hotel, motel, apartment, condominium) or large residential installations, providing sophisticated, energy-saving pump technology without the high costs typically associated with independent pump/external drive setups.

Ordering Information

Product	Model	Voltage	Full Load Amps	HP	SF	SFHP	FREQ	Primary Listings and Certifications ⁴	Port Size (NPT)
WHISPERFLOXF VS COMMERCIAL PUMP									
022035	WhisperFloXF VS	Single-Phase: 208-230/277-460 Three-Phase : 208-230/460	Single-Phase: 20-21/17-11 Three-Phase : 13-6	5	1.0	5.0	50/60HZ	UL, NSF	2.5" x 2.5" or 3.0" x 3.0"
									Carton Wt. (Lbs.)
									95

*When connected to Pentair's inline 4-20mA flowmeter for 3" plumbing (P/N 97014-4203KIT—sold separately), or similar 4-20mA flowmeters, this pump is capable of maintaining a constant flow based on the needs of your pool system. To connect the flowmeter and pump, the digital input cable provided in the External Control Wiring Kit (P/N 353129Z— sold separately) is required.

CALIFORNIA PROPOSITION 65 WARNING

▲ **WARNING:** Cancer and Reproductive Harm.
▲ **AVERTISSEMENT:** Peut Causer le Cancer et des Dommages au Système Reproducteur.
▲ **ADVERTENCIA:** Cáncer y Daño Reproductivo.
www.p65warnings.ca.gov

¹ 'UL' indicates that pump bears a UL mark signifying evaluation to U.S. Standards UL1081 for Permanently Connected Swimming Pool and Spa Pumps and to Canadian Standards CAN/CSA C22.2 No. 108-01 Liquid Pumps For Swimming Pools Only (Enclosure 3).

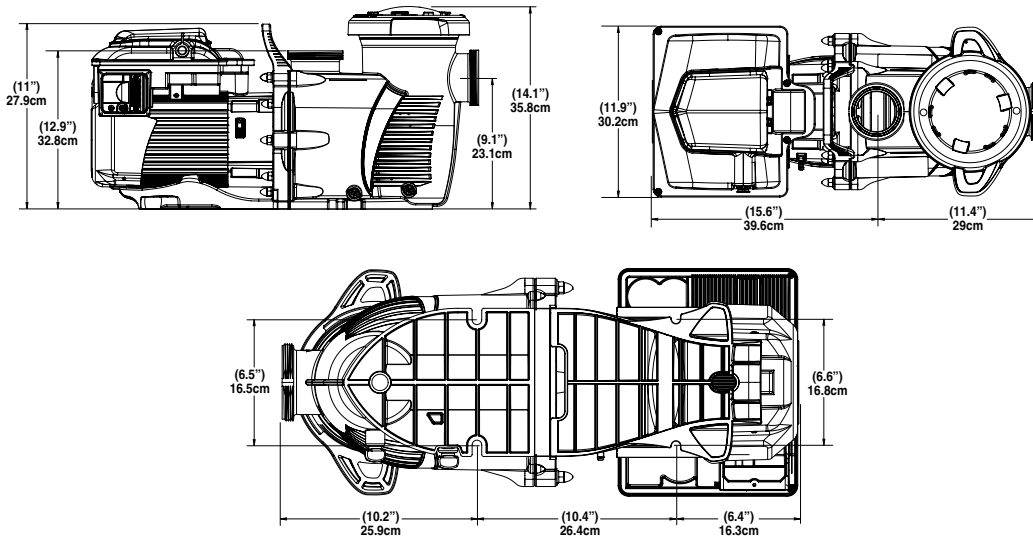
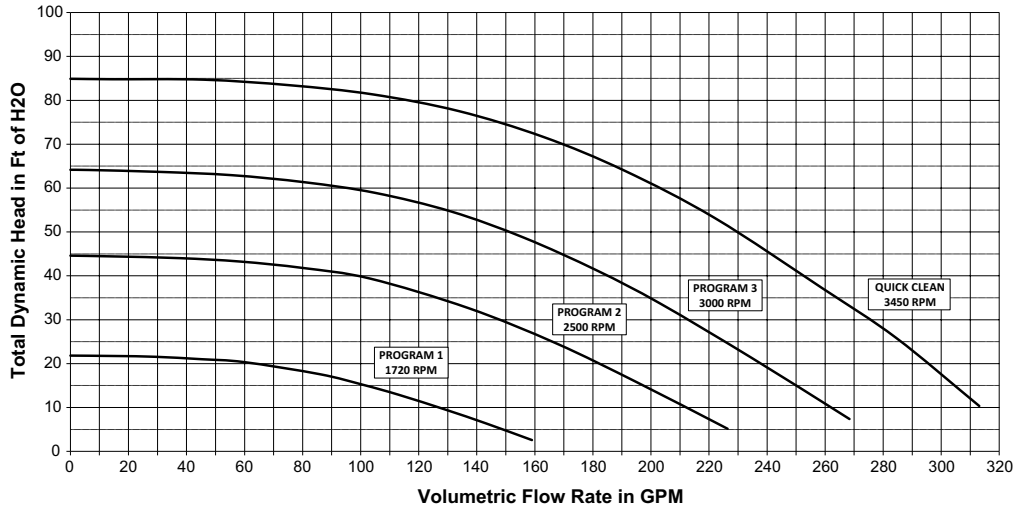
² 'NSF' indicates that pump bears a mark signifying evaluation to NSF Standard 50 For Self-Priming Centrifugal Pumps For Swimming Pools, Spas and Hot Tubs.

³ 'APSP' Pump has been evaluated to ANSI/APSP/ICC-15 and California Title 20 and is certified to use on Residential Swimming Pool Filtration Systems.

⁴ Product may have been evaluated to other state and local regulatory standards. Listing status may change. Always confirm status with appropriate agency if in doubt.

WHISPERFLOXF VS COMMERCIAL VARIABLE SPEED PUMP (CONT'D)

Dimensions and Performance



See page 537 for replacement parts.

MAX-E-PROXF[®] VS COMMERCIAL VARIABLE SPEED PUMP



Max-E-ProXF VS Pump



Featured Highlights

- Integrated 5HP motor/drive; no expensive external drive required
- Versatile power input capability; runs off a wide range of single- or three-phase power
- Speed or flow control for maximum efficiency and pool performance*
- External control capability through automation systems or relays
- Intuitive programming and operation
- Meets commercial codes and agency requirements
- WEF 5.0 THP 5.0

The first variable speed pump that runs on single-phase or three-phase power. It's economical, combined motor/drive solution for HVAC (hotel, motel, apartment, condominium) or large residential installations, providing sophisticated, energy-saving pump technology without the high costs typically associated with independent pump/external drive setups.

Ordering Information

Product	Model	Voltage	Full Load Amps	HP	SF	SFHP	FREQ	Primary Listings and Certifications ⁴	Port Size (NPT)
MAX-E-PROXF VS COMMERCIAL PUMP									
023035	Max-E-ProXF VS	Single-Phase: 208-230/277-460 Three-Phase : 208-230/460	Single-Phase: 20-21/17-11 Three-Phase : 13-6	5	1.0	5.0	50/60HZ	UL, NSF	2.5" x 2.5" or 3.0" x 3.0"
									Carton Wt. (Lbs.)
									95

*When connected to Pentair's inline 4-20mA flowmeter for 3" plumbing (P/N 97014-4203KIT—sold separately), or similar 4-20mA flowmeters, this pump is capable of maintaining a constant flow based on the needs of your pool system. To connect the flowmeter and pump, the digital input cable provided in the External Control Wiring Kit (P/N 353129Z— sold separately) is required.

CALIFORNIA PROPOSITION 65 WARNING

▲ **WARNING:** Cancer and Reproductive Harm.
▲ **AVERTISSEMENT:** Peut Causer le Cancer et des Dommages au Système Reproducteur.
▲ **ADVERTENCIA:** Cáncer y Daño Reproductivo.

www.p65warnings.ca.gov
P630714

¹ 'UL' indicates that pump bears a UL mark signifying evaluation to U.S. Standards UL1081 for Permanently Connected Swimming Pool and Spa Pumps and to Canadian Standards CAN/CSA C22.2 No. 108-01 Liquid Pumps For Swimming Pools Only (Enclosure 3).

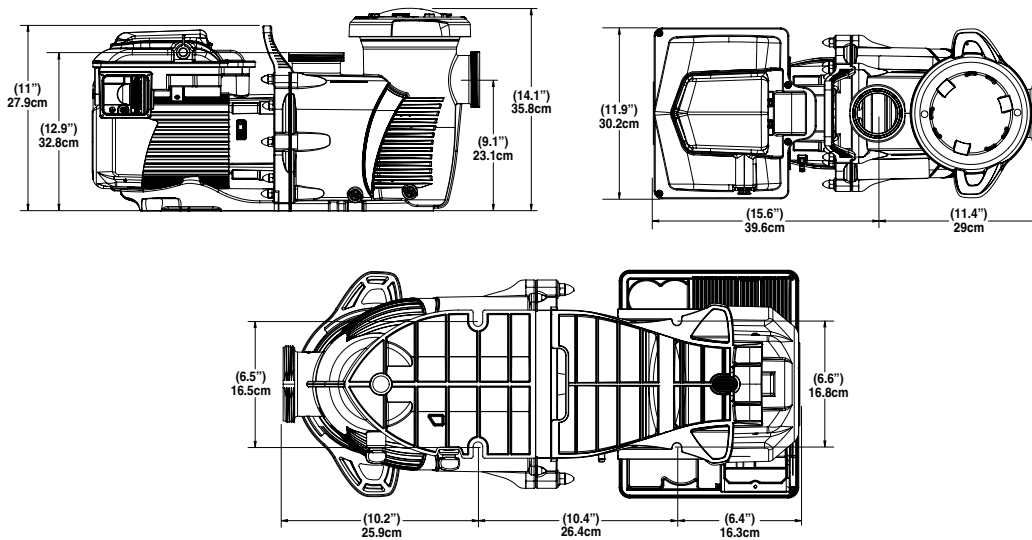
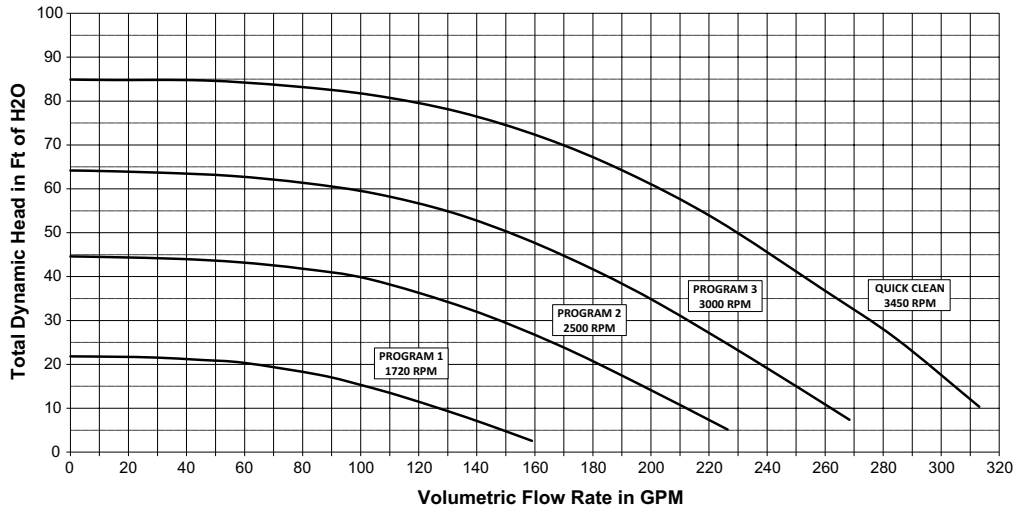
² 'NSF' indicates that pump bears a mark signifying evaluation to NSF Standard 50 For Self-Priming Centrifugal Pumps For Swimming Pools, Spas and Hot Tubs.

³ 'APSP' Pump has been evaluated to ANSI/APSP/ICC-15 and California Title 20 and is certified to use on Residential Swimming Pool Filtration Systems.

⁴ Product may have been evaluated to other state and local regulatory standards. Listing status may change. Always confirm status with appropriate agency if in doubt.

MAX-E-PROXF VS COMMERCIAL VARIABLE SPEED PUMP (CONT'D)

Dimensions and Performance



See page 538 for replacement parts.

COMMERCIAL ACU DRIVE™ XS

VARIABLE FREQUENCY DRIVE



Featured Highlights

- Save up to 60% or more on pump's electricity usage
- "Right-size" your pump to the exact flow required
- Saves energy with constant flow as the filters get dirty (with optional flow sensor)
- Off-hour flow management capability
- Does not blow corrosive filter-room air across the circuitry
- High efficiency up to 98% – adjusts drive input voltage for best efficiency point
- Eliminates need for motor starters
- Integrated disconnects, fusing and optional bypasses
- 2-step ramps (Soft Start Feature)
- Real-time clock for time based functions
- Great match for 3-phase models of EQ Series® Pumps
- Overload trip protection protects motor and Acu Drive XS VF Drive from Voltage Spikes and phase unbalance
- Can connect to an IntelliTouch® Automation System
- 3-year manufacturers warranty, Optional 6-year warranty available
- Start-up included with every drive (technical training option available)
- Indoor & Outdoor-rated enclosures
- One drive type for the full power range
- For use with 3 phase pumps only
- Acu Drive XS VF Drives with single phase input power available

The Acu Drive XS VF Drive offers built-in intelligence for increased performance in all aquatic pump applications. Specified to save money, energy and time, the Acu Drive XS VF Drive offers very fast return on investment. The Acu Drive XS VF Drive allows the pump to run at its most efficient point on the curve. Preventative maintenance costs will drop due to motor protection, motor soft start, and a significant decrease in water hammer protecting the shaft and impeller. Up to an additional 5% savings due to the Acu Drive XS VF Drive's ability to balance power phase and harmonic suppression. Built with powerful standard and optional features specifically designed for energy optimization, the Acu Drive XS VF Drive is perfectly matched with the full line of Pentair Commercial pumps.

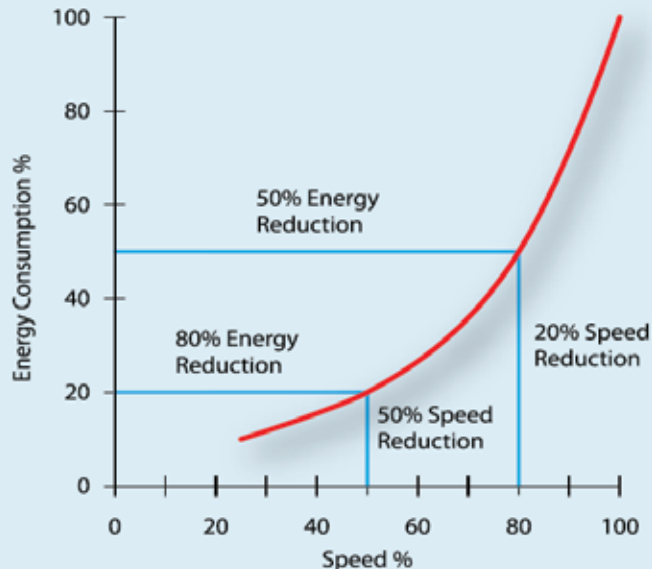
CALIFORNIA PROPOSITION 65 WARNING
 ⚠️ **WARNING:** Cancer and Reproductive Harm.
 ⚠️ **AVERTISSEMENT:** Peut Causer le Cancer et des Dommages au Système Reproducteur.
 ⚠️ **ADVERTENCIA:** Cáncer y Daño Reproductivo.
www.p65warnings.ca.gov PH202114



Affinity Law

Significant Energy Savings are achieved with even a modest reduction in speed

Ideal Energy Consumption at Varying Speed



COMMERCIAL ACU DRIVE™ XS

VARIABLE FREQUENCY DRIVE (CONT'D)

Ordering Information

3 PHASE INCLUDES FUSED DISCONNECT, ON-SITE START-UP* AND BATTERY BACK-UP						
Horse Power (HP)	NEMA RATED 1 (IP 20/21)			NEMA RATED 12 (IP 54/55)		
	200-240 VAC	360-480 VAC	525-600 VAC	200-240 VAC	360-480 VAC	525-600 VAC
3	AD030-2303-N01	AD030-4603-N01	AD030-5753-N01	AD030-2303-N12	AD030-4603-N12	AD030-5753-N12
5	AD050-2303-N01	AD050-4603-N01	AD050-5753-N01	AD050-2303-N12	AD050-4603-N12	AD050-5753-N12
7-1/2	AD075-2303-N01	AD075-4603-N01	AD075-5753-N01	AD075-2303-N12	AD075-4603-N12	AD075-5753-N12
10	AD100-2303-N01	AD100-4603-N01	AD100-5753-N01	AD100-2303-N12	AD100-4603-N12	AD100-5753-N12
15	AD150-2303-N01	AD150-4603-N01	AD150-5753-N01	AD150-2303-N12	AD150-4603-N12	AD150-5753-N12
20	AD200-2303-N01	AD200-4603-N01	AD200-5753-N01	AD200-2303-N12	AD200-4603-N12	AD200-5753-N12
SINGLE PHASE INPUT DRIVES (FOR USE WITH 3 PHASE PUMPS ONLY) INCLUDES DISCONNECT ONLY (NO FUSES) ON-SITE START-UP* AND BATTERY BACK-UP						
Horse Power (HP)	NEMA RATED 1 (IP 20/21)		NEMA RATED 12 (IP 54/55)			
	200-240 VAC		200-240 VAC			
3	AD030-2301-N01		AD030-2301-N12			
5	AD050-2301-N01		AD050-2301-N12			
7-1/2	AD075-2301-N01		AD075-2301-N12			
10	AD100-2301-N01		AD100-2301-N12			
15-20	AD200-2301-N01		AD200-2301-N12			

For 25 HP and higher and Nema 4 options - Please contact factory.

Optional Accessories and Warranties

ACU DRIVE VF DRIVE FLOW SENSOR KITS WITH INTEGRAL 4-20 OUTPUT SIGNAL, INCLUDES PVC CLAMP-ON SADDLE FOR DISPLAY ON ACU-DRIVE ONLY (DOES NOT INCLUDE SEPARATE WALL-MOUNT DISPLAY)	
Product	Description
97014-4203KIT	3 in. Flow sensor kit with 4-20 output
97014-4204KIT	4 in. Flow sensor kit with 4-20 output
97016-4206KIT	6 in. Flow sensor kit with 4-20 output
97016-4208KIT	8 in. Flow sensor kit with 4-20 output

ENHANCED SERVICE WARRANTY - ON-SITE* INCLUDES PARTS, LABOR, TRAVEL AND ON-SITE WARRANTY REPAIR. USE PRODUCT NUMBERS AS FOLLOWS:				
DURATION	208-230 Volts		380-690 Volts	
	3 HP & Below	5-25 HP	10 HP & Below	15-40 HP
6 YEAR	AD-EWW172	AD-EWW272	AD-EWW172	AD-EWW272

* Additional charges will apply if on-site start-up exceeds four hours (including round-trip travel) per Acu Drive VF Drive.

Other options and add-ons are available including Nema Rated 4X (IP66) enclosure, "Fused Bypass" upgrade, and additional on-site technical training. For more information on these options, other sizes, or applications assistance call 1-800-831-7133.

Some pump motors (e.g. 230/460V versions) can be wired to accommodate multiple voltages. This is not true of VFDs. In order to ensure proper VFD selection, the actual pump motor input voltage must be consistent with the drives operating range as shown.

The Acu Drive VF Drive is recommended for use with all "High" or "Premium" efficiency motors and all motors that have Class F insulation or better. For all non-Class F motors, please contact the factory for proper selection of Acu Drive VF Drive and accessories.

Standard Acu Drive XS VF Drives can be returned within 12 months of invoice only if unused, in original packaging, and subject to a 35% restocking charge. Special drives are non-returnable.

Nema Rated 12 enclosure provides protection against dust, dirt and light splashing. Nema Rated 12 units may be used outdoors when sheltered from direct precipitation and sunlight. Nema Rated 1 enclosure provides basic protection against accidental contact and falling dirt, and is only recommended for ideal, indoor installations.

EQ SERIES®

COMMERCIAL PLASTIC PUMP WITH AND WITHOUT HAIR AND LINT STRAINER



EQ Series TEFC Pump with Strainer



EQ Series Pump without Strainer

Commercial Plastic pump built specifically for commercial and large residential pools. Pump features electrical and hydraulic designs that helps reduce electrical costs, less wear and tear on critical moving parts, and quiet operation.

CALIFORNIA PROPOSITION 65 WARNING

⚠️ **WARNING:** Cancer and Reproductive Harm.
 ⚠️ **AVERTISSEMENT:** Peut Causer le Cancer et des Dommages au Système Reproducteur.
 ⚠️ **ADVERTENCIA:** Cáncer y Daño Reproductivo.

www.p65warnings.ca.gov. PH 201714

Featured Highlights

- Efficiency 3-phase motors
- Commercial grade, non-corrosive Plastic Parts for durability and long life
- Now available in TEFC and ODP 3-phase motor options
- Cam and Ramp™ See -Through Lid
- Self-priming with Hair and Lint Strainer
- Light weight
- 3-phase models compatible with Acu Drive™ XS VF Drive
- Drop-in replacement for C Series® and CSP Series™ Pumps
- Waterfall models great for low head, high flow applications
- Easy cleaning and serviceability
- 50 Hz models available -contact factory

Ordering Information

Product	Description	Voltage	Amps	HP	SF	SFHP	Primary Listings and Certifications ⁶	Port Size (ANSI Flange)	Motor Class	Carton Wt. (Lbs.)	Curve Key
PREMIUM EFFICIENCY SINGLE PHASE POOL PUMP WITHOUT STRAINER - ODP											
340019	EQ-500	230	20.0	5	1.15	5.75	NSF ² , ETL ⁵	6 in. x 4 in.	F	97	A
340021	EQ-750	230	30.4	7.5	1.15	8.63	NSF ²	6 in. x 4 in.	F	132	B
340237	EQ-1000	230	40.0	10	1.15	11.50	NSF ²	6 in. x 4 in.	F	125	C
NEMA RATED PREMIUM EFFICIENCY THREE PHASE POOL PUMP WITHOUT STRAINER - ODP											
340020	EQK-500	208-230/460	13.5-12.3/6.2	5	1.15	5.75	NSF ²	6 in. x 4 in.	F	77	D
340022	EQK-750	208-230/460	20.4-18.2/9.1	7.5	1.15	8.63	NSF ²	6 in. x 4 in.	F	87	E
340023	EQK-1000	208-230/460	27.0/26.2-13.1	10	1.15	11.50	NSF ²	6 in. x 4 in.	F	117	F
340024	EQK-1500	208-230/460	40.0-38.0/18.8	15	1.15	17.25	NSF ²	6 in. x 4 in.	F	132	G
NEMA RATED PREMIUM EFFICIENCY THREE PHASE POOL PUMP WITHOUT STRAINER - TEFC											
340608	EQKT-500	208-230/460	13.4-12.2/6.1	5	1.25	6.25	NSF ² , UL ⁷	6 in x 4 in	F	97	D
340609	EQKT-750	208-230/460	19.9-17.8/8.9	7.5	1.25	9.38	NSF ² , UL ⁷	6 in x 4 in	F	117	E
340610	EQKT-1000	208-230/460	26.4-23.5/11.7	10	1.25	12.50	NSF ² , UL ⁷	6 in x 4 in	F	163	F
340611	EQKT-1500	208-230/460	39.0-36.0/18.0	15	1.25	18.75	NSF ² , UL ⁸	6 in x 4 in	F	177	G
NEMA RATED PREMIUM EFFICIENCY THREE PHASE POOL PUMP WITHOUT STRAINER - 575 VOLT - ODP											
340148	EQK-500	575	5.1	5	1.15	5.75	NSF ²	6 in. x 4 in.	F	77	D
340149	EQK-750	575	7.2	7.5	1.15	8.63	NSF ²	6 in. x 4 in.	F	87	E
340150	EQK-1000	575	10.2	10	1.15	11.50	NSF ²	6 in. x 4 in.	F	117	F
340151	EQK-1500	575	15.0	15	1.15	17.25	NSF ²	6 in. x 4 in.	F	132	G
PREMIUM EFFICIENCY SINGLE PHASE POOL PUMP WITH STRAINER - ODP											
340030	EQ-500	230	20.0	5	1.15	5.75	NSF ³ , ETL ⁵	6 in. x 4 in.	F	126	A
340032	EQ-750	230	30.4	7.5	1.15	8.63	NSF ³	6 in. x 4 in.	F	161	B
340238	EQ-1000	230	40.0	10	1.15	11.50	NSF ³	6 in. x 4 in.	F	160	C
NEMA RATED PREMIUM EFFICIENCY THREE PHASE POOL PUMP WITH STRAINER - ODP											
340031	EQK-500	208-230/460	13.5-12.3/6.2	5	1.15	5.75	NSF ³	6 in. x 4 in.	F	106	D
340033	EQK-750	208-230/460	20.1-18.3/9.1	7.5	1.15	8.63	NSF ³	6 in. x 4 in.	F	116	E
340034	EQK-1000	208-230/460	27.0/26.2-13.1	10	1.15	11.50	NSF ³	6 in. x 4 in.	F	146	F
340035	EQK-1500	208-230/460	40.0-36.0/17.8	15	1.15	17.25	NSF ³	6 in. x 4 in.	F	161	G
NEMA RATED PREMIUM EFFICIENCY THREE PHASE POOL PUMP WITH STRAINER - TEFC											
340604	EQKT-500	208-230/460	13.4-12.2/6.1	5	1.25	6.25	NSF ³ , UL ⁷	6 in x 4 in	F	127	D
340605	EQKT-750	208-230/460	19.9-17.8/8.9	7.5	1.25	9.38	NSF ³ , UL ⁷	6 in x 4 in	F	147	E
340606	EQKT-1000	208-230/460	26.4-23.5/11.7	10	1.25	12.50	NSF ³ , UL ⁷	6 in x 4 in	F	193	F
340607	EQKT-1500	208-230/460	39.0-36.0/18.0	15	1.25	18.75	NSF ³ , UL ⁸	6 in x 4 in	F	207	G

EQ SERIES®

COMMERCIAL PLASTIC PUMP WITH AND WITHOUT HAIR AND LINT STRAINER

Product	Description	Voltage	Amps	HP	SF	SFHP	Primary Listings and Certifications ⁶	Port Size (ANSI Flange)	Motor Class	Carton Wt. (Lbs.)	Curve Key
NEMA RATED PREMIUM EFFICIENCY THREE PHASE POOL PUMP WITH STRAINER - ODP - 575 VOLT											
340155	EQK-500	575	5.1	5	1.15	5.75	NSF ³	6 in. x 4 in.	F	106	D
340156	EQK-750	575	7.2	7.5	1.15	8.63	NSF ³	6 in. x 4 in.	F	116	E
340157	EQK-1000	575	10.2	10	1.15	11.50	NSF ³	6 in. x 4 in.	F	146	F
340159	EQK-1500	575	15.0	15	1.15	17.25	NSF ³	6 in. x 4 in.	F	161	G
SINGLE PHASE WATERFALL PUMP WITHOUT STRAINER - ODP - 1750 RPM											
340014	EQW-300	208-230	19.5/19.2	3	1.15	3.45	NSF ² , ETL ⁵	6 in. x 4 in.	F	97	H
340017	EQW-500	208-230	23.0-20.1	5	1.25	6.25	NSF ² , ETL ⁵	6 in. x 4 in.	F	97	I
NEMA RATED PREMIUM EFFICIENCY THREE PHASE WATERFALL PUMP WITHOUT STRAINER - ODP - 1750 RPM											
340016	EQWK-300	208-230/460	8.4-7.8/3.9	3	1.15	3.45	NSF ²	6 in. x 4 in.	F	77	H
340018	EQWK-500	208-230/460	13.8-13.0/6.5	5	1.25	6.25	NSF ²	6 in. x 4 in.	F	77	I
SINGLE PHASE WATERFALL PUMP WITH STRAINER - ODP - 1750 RPM											
340026	EQW-300	208/230	19.5/19.2	3	1.15	3.45	NSF ³ , ETL ⁵	6 in. x 4 in.	F	126	H
340028	EQW-500	208-230	23.0/20.1	5	1.25	6.25	NSF ⁴ , ETL ⁵	6 in. x 4 in.	F	126	I
NEMA RATED PREMIUM EFFICIENCY THREE PHASE WATERFALL PUMP WITH STRAINER - ODP											
340027	EQWK-300	208-230/460	8.4-7.8/3.9	3	1.15	3.45	NSF ³	6 in. x 4 in.	F	106	H
340029	EQWK-500	208-230/460	13.8-13.0/6.5	5	1.25	6.25	NSF ⁴	6 in. x 4 in.	F	106	I
HAIR AND LINT STRAINER WITH CAM AND RAMP LID, BASKET AND HARDWARE											
340013	EQ 6X6 Strainer						NSF ⁴	6 in. x 6 in.		33	J
EQ SERIES PUMP ACCESSORIES FLANGE ASSEMBLY KITS											
357262	Flange 4 in. w/ gasket and SS hardware ¹ (See images on next page)									20	
357263	Flange 6 in. w/ gasket and SS hardware ¹ (See images on next page)									23	
357212	Flange 6 in. w/ gasket and SS hardware. For use on EQ Pumps without Strainer.									23	

See page 249 for an assortment of PS Series In-Line Strainers that work well with EQ Series pumps.

¹ Thermoplastic PVC socket style.

² 'NSF' indicates that pump bears a mark signifying evaluation to NSF Standard 50 For Non Self-Priming Centrifugal Pumps For Swimming Pools, Spas and Hot Tubs.

³ 'NSF' indicates that pump bears a mark signifying evaluation to NSF Standard 50 For Self-Priming Centrifugal Pumps For Swimming Pools, Spas and Hot Tubs.

⁴ 'NSF' indicates that product bears a mark signifying evaluation to NSF Standard 50 For Materials and Components.

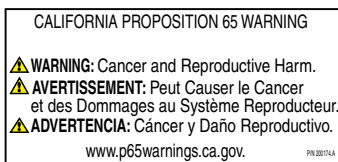
⁵ 'ETL' indicates that pump bears a specific ETL mark signifying evaluation to U.S. Standards UL1081 for Permanently Connected Swimming Pool and Spa Pumps and to Canadian Standards CAN/CSA C22.2 No. 108-01 Liquid Pumps For Swimming Pools And Spas. (Enclosure 3).

⁶ Product may have been evaluated to other state and local regulatory standards. Listing status may change. Always confirm status with appropriate agency if in doubt.

⁷ 'UL' indicates that pump bears a UL mark signifying evaluation to U.S. Standards UL1081 for Permanently Connected Swimming Pool and Spa Pumps and to Canadian Standards CAN/CSA C22.2 No. 108-01 Liquid Pumps For Swimming Pools Only (Enclosure 3).

⁸ 'UL' indicates that pump bears a UL mark signifying evaluation to U.S. Standards UL1081 for Permanently Connected Swimming Pool and Spa Pumps.

Dimensions and Performance - See next page.

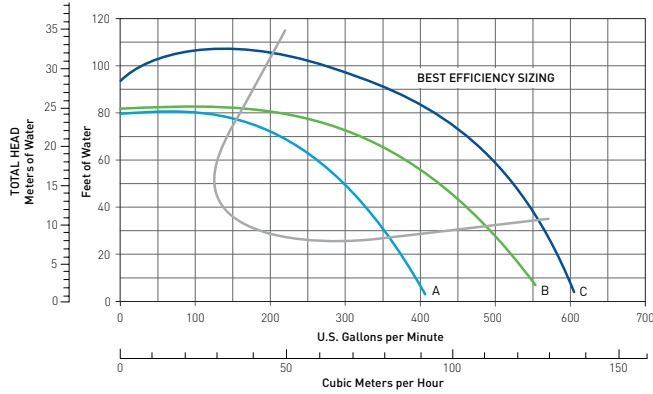


EQ SERIES®

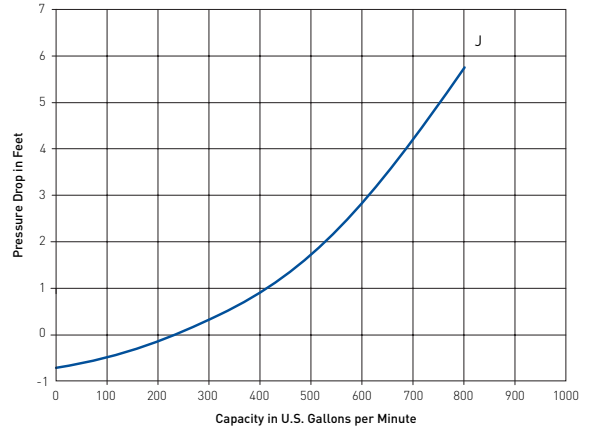
COMMERCIAL PLASTIC PUMP WITH AND WITHOUT HAIR AND LINT STRAINER (CONT'D)

Dimensions and Performance

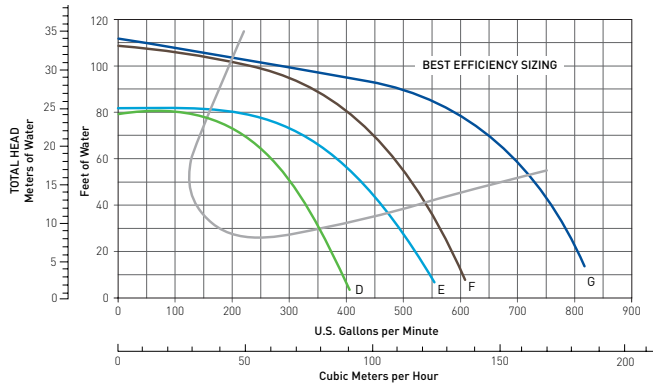
Single Phase Pumps - EQ Models



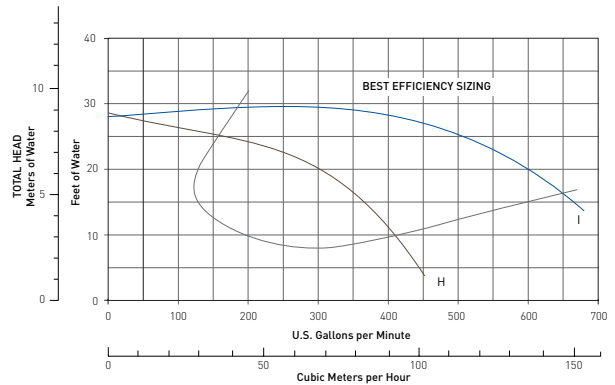
EQ Strainer Only



Three Phase Pumps - EQK Models



WaterFall Pumps - EQW & EQWK Models



For detailed efficiency curves go to www.pentaircommercial.com

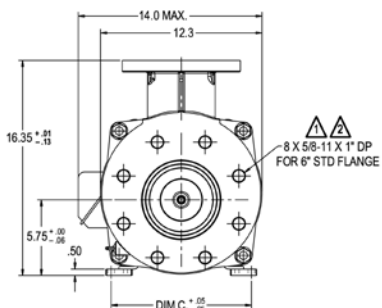
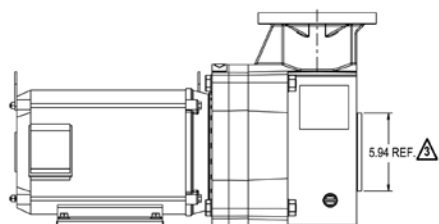
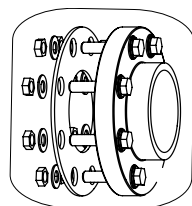
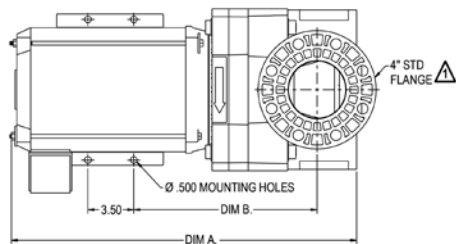
EQ SERIES®

COMMERCIAL PLASTIC PUMP WITH AND WITHOUT HAIR AND LINT STRAINER (CONT'D)

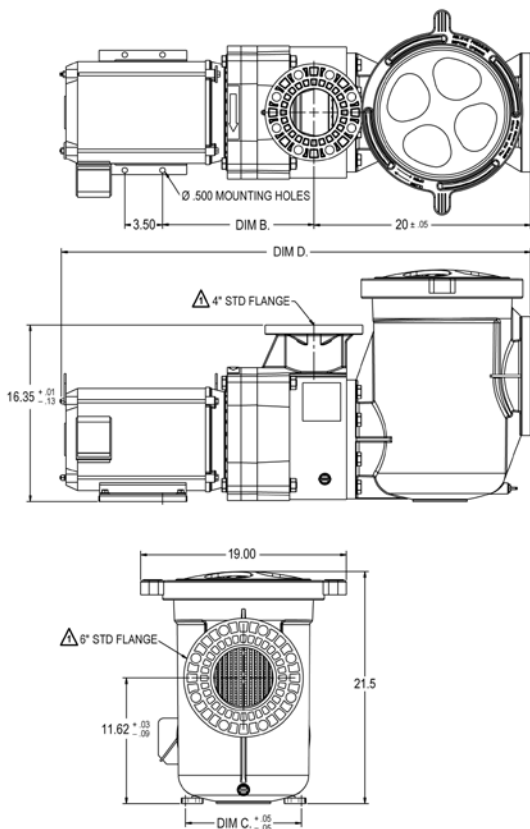
Dimensions and Performance

EQ Series Commercial Pump without Strainer

EQ Series Pump Flange Assembly Kit



EQ Series Commercial Pump with Strainer



Product No W/O Pot	Product No. W/ Pot	Dim A*	Dim B*	Dim C*	Dim D*
340014	340026	26.62	13.32	9.69	43.59
340017	340028	26.62	14.21	9.69	43.59
340019	340030	26.62	13.32	9.69	43.59
340021	340032	27.53	14.21	10.69	44.59
340237	340238	26.94	14.03	10.69	43.92
340016	340027	23.12	13.32	9.69	40.09
340018	340029	23.12	13.32	9.69	40.09
340020	340031	23.12	13.32	9.69	40.09
340022	340033	24.50	13.32	9.69	41.56
340023	340034	26.31	14.38	10.69	43.29
340024	340035	26.31	14.38	10.69	43.29
340148	340155	24.62	13.32	7.50	41.59
340149	340156	24.62	13.32	7.50	41.59
340150	340157	26.31	14.07	8.50	43.29
340151	340159	26.31	14.07	8.50	43.29
340608	340604	24.52	13.48	9.69	41.50
340609	340605	26.52	14.19	10.69	43.50
340610	340606	28.02	14.19	10.69	45.00
340611	340607	28.02	14.19	10.69	45.00
340086	340082	24.62	13.48	9.69	41.59
340085	340081	24.62	13.48	9.69	41.59
340084	340080	28.31	14.19	10.69	45.29
340083	340049	28.31	14.19	10.69	45.29
340048	340046	28.31	14.19	10.69	45.29
340047	340045	28.31	14.19	10.69	45.29

* This value may vary slightly depending upon manufacturer and motor design.

- △ FASTENERS AND O-RING ARE INCLUDED WITH PENTAIR POOL PRODUCTS EQ 6X6 STRAINER TO CONNECT STRAINER DIRECTLY TO EQ SERIES PUMP. IF PUMP IS TO BE INSTALLED WITHOUT STRAINER MAKE BOTH CONNECTIONS PER NOTE 1.
- △ USE ANSI CLASS 150 PLASTIC FLANGE AND 1/8 in. THICK CLASS 150 FULL FLANGE GASKET TO MAKE CONNECTION.
- △ THIS DIAMETER FITS INSIDE 6 in. SCH 40 PIPE. DO NOT USE SCH 80 PIPE AS FINAL PIPE SIZE WHEN MAKING THIS FLANGE CONNECTION.

See pages 539-540 for replacement parts.

C SERIES®

COMMERCIAL BRONZE PUMPS



C Series Commercial Bronze Pump

Bronze volute and pot, coated cast iron foot, flanged connections, 6 in. suction, 4 in. discharge.

CALIFORNIA PROPOSITION 65 WARNING

⚠️ **WARNING:** Cancer and Reproductive Harm.
 ⚠️ **AVERTISSEMENT:** Peut Causer le Cancer et des Dommages au Système Reproducteur.
 ⚠️ **ADVERTENCIA:** Cáncer y Daño Reproductivo.
www.p65warnings.ca.gov PS-200714

Featured Highlights

- Large commercial pump with s/s basket
- Easy serviceability
- All-bronze construction for strength and durability
- 6 in. suction and 4 in. discharge for maximum capabilities
- Heavy-gauge stainless steel strainer basket with an open area 5 times the area of the suction port
- Closed impeller for longer motor bearing life
- Heat-resistant seal capable of operation at up to 150°
- Available in single and three-phase, 50 and 60-Hertz models
- For 200-208v applications order 200-208v model pump

Ordering Information

Product	Description	Voltage	Amps	HP	SF	SFHP	Primary Listings and Certifications ²	Motor Class	Port Size (ANSI Flange)	Carton Wt. (Lbs.)	Curve Key
NEMA RATED STANDARD EFFICIENCY SINGLE PHASE 230V											
011651	CM-50	230	24.0	5	1.15	5.75	NSF ¹	B	6 in. x 4 in.	352	F
011656	CH-50	230	24.0	5	1.15	5.75	NSF ¹	B	6 in. x 4 in.	352	A
347917	CM-75	230	37.0	7-1/2	1.15	8.63	NSF ¹	B	6 in. x 4 in.	375	G
347916	CH-75	230	37.0	7-1/2	1.15	8.63	NSF ¹	B	6 in. x 4 in.	375	B
347964	CM-100	230	51.0	10	1.15	11.50	NSF ¹	B	6 in. x 4 in.	370	H
347963	CH-100	230	51.0	10	1.15	11.50	NSF ¹	B	6 in. x 4 in.	370	C
NEMA RATED STANDARD EFFICIENCY SINGLE PHASE 200 - 208V											
347938	CM-50	200-208	29.0	5	1.15	5.75	NSF ¹	B	6 in. x 4 in.	322	F
347939	CH-50	200-208	29.0	5	1.15	5.75	NSF ¹	B	6 in. x 4 in.	322	A
348001	CM-75	200-208	42.6	7-1/2	1.15	8.63	NSF ¹	B	6 in. x 4 in.	375	G
348005	CH-75	200-208	42.6	7-1/2	1.15	8.63	NSF ¹	B	6 in. x 4 in.	375	B
NEMA RATED STANDARD EFFICIENCY THREE PHASE 200 - 208V											
347940	CMK-50	200-208	16.1	5	1.15	5.75	NSF ¹	B	6 in. x 4 in.	346	F
347941	CHK-50	200-208	16.1	5	1.15	5.75	NSF ¹	B	6 in. x 4 in.	350	A
347942	CMK-75	200-208	22.3	7-1/2	1.15	8.63	NSF ¹	B	6 in. x 4 in.	346	G
347943	CHK-75	200-208	22.3	7-1/2	1.15	8.63	NSF ¹	B	6 in. x 4 in.	346	B
347944	CMK-100	200-208	28.7	10	1.15	11.50	NSF ¹	B	6 in. x 4 in.	370	H
347945	CHK-100	200-208	28.7	10	1.15	11.50	NSF ¹	B	6 in. x 4 in.	356	C
347946	CMK-150	200-208	43.5	15	1.15	17.25	NSF ¹	B	6 in. x 4 in.	369	I
347947	CHK-150	200-208	43.5	15	1.15	17.25	NSF ¹	B	6 in. x 4 in.	350	D
347948	CHK-200	200-208	54.0	20	1.15	23.00	NSF ¹	F	6 in. x 4 in.	406	E
NEMA RATED STANDARD EFFICIENCY THREE PHASE 220/440V											
011652	CMK-50	220/440	13.0/6.5	5	1.15	5.75	NSF ¹	F	6 in. x 4 in.	336	F
011657	CHK-50	220/440	13.0/6.5	5	1.15	5.75	NSF ¹	F	6 in. x 4 in.	336	A
011653	CMK-75	220/440	18.4/9.2	7-1/2	1.15	8.63	NSF ¹	F	6 in. x 4 in.	346	G
011658	CHK-75	220/440	18.4/9.2	7-1/2	1.15	8.63	NSF ¹	F	6 in. x 4 in.	349	B
011654	CMK-100	220/440	25.3/12.6	10	1.15	11.50	NSF ¹	B	6 in. x 4 in.	374	H
011659	CHK-100	220/440	25.3/12.6	10	1.15	11.50	NSF ¹	B	6 in. x 4 in.	376	C
011655	CMK-150	220/440	37.5/18.8	15	1.15	17.25	NSF ¹	B	6 in. x 4 in.	396	I
011660	CHK-150	220/440	37.5/18.8	15	1.15	17.25	NSF ¹	B	6 in. x 4 in.	398	D
011661	CHK-200	220/440	49.0/24.6	20	1.15	23.00	NSF ¹	F	6 in. x 4 in.	403	E

C SERIES®

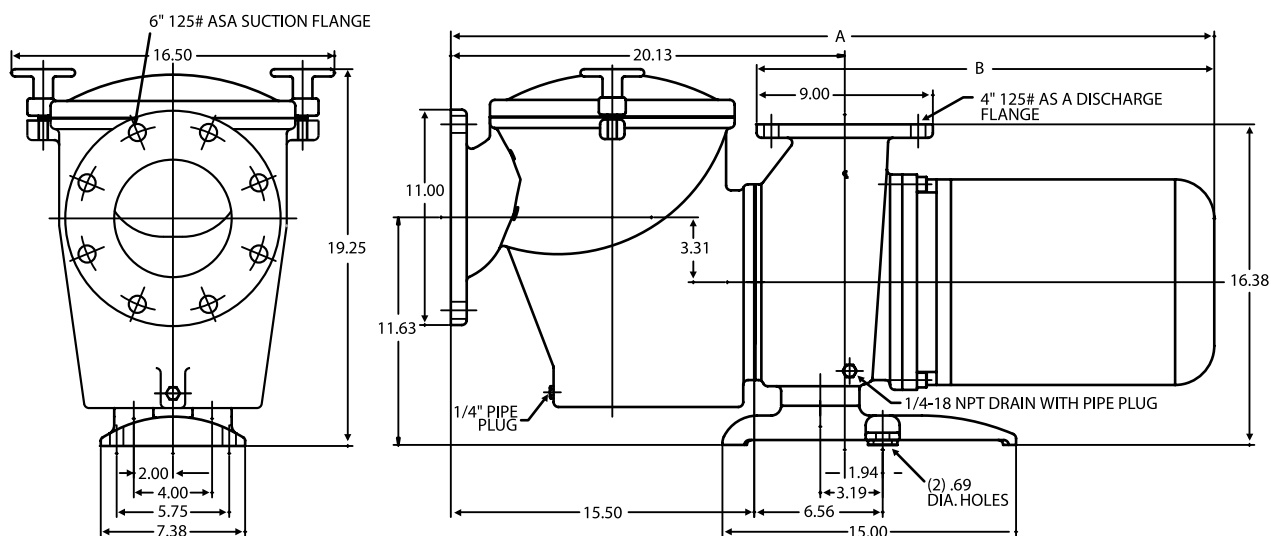
COMMERCIAL BRONZE PUMPS (CONT'D) WITH HAIR AND LINT STRAINER

Product	Description	Voltage	Amps	HP	SF	SFHP	Primary Listings and Certifications ²	Motor Class	Port Size (ANSI Flange)	Carton Wt. (Lbs.)	Curve Key
NEMA RATED STANDARD EFFICIENCY THREE PHASE 575V											
347931	CMK-50	575	5.6	5	1.15	5.75	NSF ¹	F	6 in. x 4 in.	336	F
347967	CHK-50	575	5.6	5	1.15	5.75	NSF ¹	F	6 in. x 4 in.	336	A
347936	CMK-75	575	7.7	7-1/2	1.15	8.63	NSF ¹	F	6 in. x 4 in.	349	G
347937	CHK-75	575	7.7	7-1/2	1.15	8.63	NSF ¹	F	6 in. x 4 in.	349	B
347932	CMK-100	575	10.0	10	1.15	11.50	NSF ¹	F	6 in. x 4 in.	374	H
347968	CHK-100	575	10.0	10	1.15	11.50	NSF ¹	F	6 in. x 4 in.	374	C
347934	CMK-150	575	15.2	15	1.15	17.25	NSF ¹	B	6 in. x 4 in.	398	I
347933	CHK-150	575	15.2	15	1.15	17.25	NSF ¹	B	6 in. x 4 in.	398	D
347935	CHK-200	575	19.5	20	1.15	23.00	NSF ¹	F	6 in. x 4 in.	406	E
NEMA RATED STANDARD EFFICIENCY THREE PHASE 380-415V- 50 HZ											
014900	CMKL-50	380-415	7.5-6.8	5	1.15	5.75	NSF ¹	F	6 in. x 4 in.	336	
014880	CHKL-50	380-415	7.5-6.8	5	1.15	5.75	NSF ¹	F	6 in. x 4 in.	336	
014901	CMKL-75	380-415	11.0-10.0	7-1/2	1.00	7-1/2	NSF ¹	F	6 in. x 4 in.	346	
014881	CHKL-75	380-415	11.0-10.0	7-1/2	1.00	7-1/2	NSF ¹	F	6 in. x 4 in.	346	
014902	CMKL-100	380-415	14.5-14.6	10	1.15	11.50	NSF ¹	F	6 in. x 4 in.	376	
014882	CHKL-100	380-415	14.5-14.6	10	1.15	11.50	NSF ¹	F	6 in. x 4 in.	374	
014903	CMKL-150	380-415	20.5-19.0	15	1.15	17.25	NSF ¹	F	6 in. x 4 in.	398	
014883	CHKL-150	380-415	20.5-19.0	15	1.15	17.25	NSF ¹	F	6 in. x 4 in.	396	
014884	CHKL-200	380-415	28.0-26.0	20	1.15	23.00	NSF ¹	F	6 in. x 4 in.	403	

¹ "NSF" indicates that pump has been certified to NSF/ANSI 50, the Standard for Equipment for swimming pools, spas, hot tubs and other recreational water features.

² Product may have been evaluated to other state and local regulatory standards. Listing status may change. Always confirm status with appropriate agency if in doubt.

Dimensions and Performance



PUMP DIMENSIONS			
THREE-PHASE AMPS @ 220/440 & 380/415 V			
HP	AMPS	A	B
5	14	34.88	19.50
7.5	20	35.88	20.50
10	26	36.88	22.50
15	38	37.38	22.00
20	46	37.88	23.50

PUMP DIMENSIONS			
SINGLE-PHASE AMPS @ 230 VOLTS			
HP	AMPS	A	B
5	26	35.50	20.50
7.5	37	35.88	20.50

PUMP DIMENSIONS			
SINGLE-PHASE AMPS @ 200 VOLTS			
HP	AMPS	A	B
5	29	35.50	20.50
7.5	39.6	35.88	20.50

NOTES:

- BOTH "A" AND "B" DIMENSIONS ARE APPROXIMATE IT DEPENDS ON MOTOR MANUFACTURER.
- ALL DIMENSIONS ARE IN INCHES AND MAY VARY ± .25.

C SERIES®

COMMERCIAL BRONZE PUMPS (CONT'D) WITHOUT HAIR AND LINT STRAINER



C Series
Commercial
Bronze Pump
without Hair and
Lint Strainer

Featured Highlights

- High performance motors for maximum flow
- All-bronze construction for strength and durability
- 5 in. suction and 4 in. discharge for maximum capabilities
- Closed impeller for longer motor bearing life
- Heat-resistant seal capable of operation at up to 150°
- Available in single and three-phase, 50 and 60-hertz models
- For 200-208v applications order 200-208v model pump

CALIFORNIA PROPOSITION 65 WARNING

▲ **WARNING:** Cancer and Reproductive Harm.
 ▲ **AVERTISSEMENT:** Peut Causer le Cancer et des Dommages au Système Reproducteur.
 ▲ **ADVERTENCIA:** Cáncer y Daño Reproductivo.
www.p65warnings.ca.gov

Ordering Information

Product	Description	Voltage	Amps	HP	SF	SFHP	Primary Listings and Certifications ³	Motor Class	Port Size (ANSI Flange)	Carton Wt. (Lbs.)	Curve Key
NEMA RATED STANDARD EFFICIENCY SINGLE PHASE 230V											
011605	CH-50	230	24.0	5	1.15	5.75	NSF ²	B	5 in. x 4 in.	302	A
347966	CM-100	230	51.0	10	1.15	11.50	NSF ²	B	5 in. x 4 in.	326	H
347965	CH-100	230	51.0	10	1.15	11.50	NSF ²	B	5 in. x 4 in.	326	C
NEMA RATED STANDARD EFFICIENCY SINGLE PHASE 200-208V											
347949	CM-50	200-208	29.0	5	1.15	5.75	NSF ²	B	5 in. x 4 in.	302	F
347950	CH-50	200-208	29.0	5	1.15	5.75	NSF ²	B	5 in. x 4 in.	302	A
347961	CM-75	200-208	42.6	7-1/2	1.15	8.63	NSF ²	B	5 in. x 4 in.	315	G
347960	CH-75	200-208	42.6	7-1/2	1.15	8.63	NSF ²	B	5 in. x 4 in.	315	B
NEMA RATED STANDARD EFFICIENCY THREE PHASE 200-208V											
347951	CMK-50	200-208	16.1	5	1.15	5.75	NSF ²	B	5 in. x 4 in.	296	F
347952	CHK-50	200-208	16.1	5	1.15	5.75	NSF ²	B	5 in. x 4 in.	300	A
347953	CMK-75	200-208	22.3	7-1/2	1.15	8.63	NSF ²	B	5 in. x 4 in.	296	G
347954	CHK-75	200-208	22.3	7-1/2	1.15	8.63	NSF ²	B	5 in. x 4 in.	296	B
347955	CMK-100	200-208	28.7	10	1.15	11.50	NSF ²	B	5 in. x 4 in.	320	H
347956	CHK-100	200-208	28.7	10	1.15	11.50	NSF ²	B	5 in. x 4 in.	306	C
347957	CMK-150	200-208	43.5	15	1.15	17.25	NSF ²	B	5 in. x 4 in.	319	I
347958	CHK-150	200-208	43.5	15	1.15	17.25	NSF ²	B	5 in. x 4 in.	300	D
347959	CHK-200	200-208	54.0	20	1.15	23.00	NSF ²	F	5 in. x 4 in.	356	E
NEMA RATED STANDARD EFFICIENCY THREE PHASE 220/440V											
011601	CMK-50	220/440	13.0/6.5	5	1.15	5.75	NSF ²	F	5 in. x 4 in.	286	F
011606	CHK-50	220/440	13.0/6.5	5	1.15	5.75	NSF ²	F	5 in. x 4 in.	286	A
011602	CMK-75	220/440	18.4/9.2	7-1/2	1.15	8.63	NSF ²	F	5 in. x 4 in.	296	G
011607	CHK-75	220/440	18.4/9.2	7-1/2	1.15	8.63	NSF ²	F	5 in. x 4 in.	296	B
011603	CMK-100	220/440	25.3/12.6	10	1.15	11.50	NSF ²	B	5 in. x 4 in.	326	H
011608	CHK-100	220/440	25.3/12.6	10	1.15	11.50	NSF ²	B	5 in. x 4 in.	324	C
011604	CMK-150	220/440	37.5/18.8	15	1.15	17.25	NSF ²	B	5 in. x 4 in.	348	I
011609	CHK-150	220/440	37.5/18.8	15	1.15	17.25	NSF ²	B	5 in. x 4 in.	346	D
011610	CHK-200	220/440	49.0/24.6	20	1.15	23.00	NSF ²	F	5 in. x 4 in.	353	E
C SERIES & AURORA PUMP ACCESSORIES FLANGE ASSEMBLY KITS											
357260	Flange 5 in. w/ gasket and SS hardware ¹ for pump less strainer									22	
357262	Flange 4 in. w/ gasket and SS hardware ¹									20	
357263	Flange 6 in. w/ gasket and SS hardware ¹									23	

¹ Thermoplastic PVC socket style

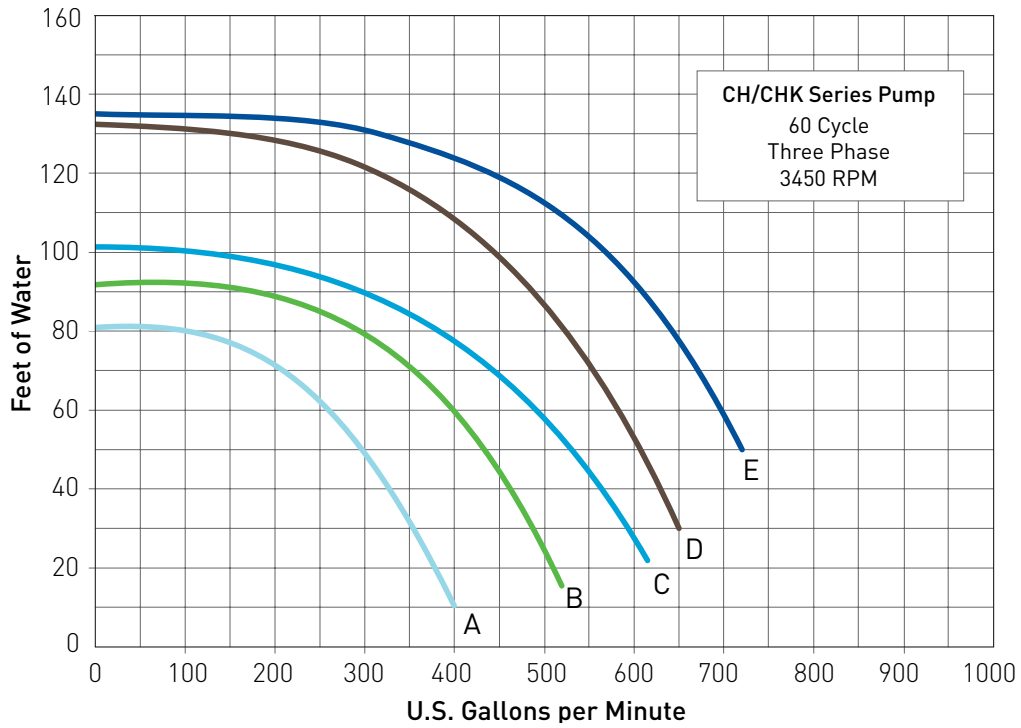
² 'NSF(1)' indicates that pump bears a mark signifying evaluation to NSF Standard 50 For Non Self-Priming Centrifugal Pumps For ---Swimming Pools, Spas and Hot Tubs.

³ Product may have been evaluated to other state and local regulatory standards. Listing status may change. Always confirm status with appropriate agency if in doubt.

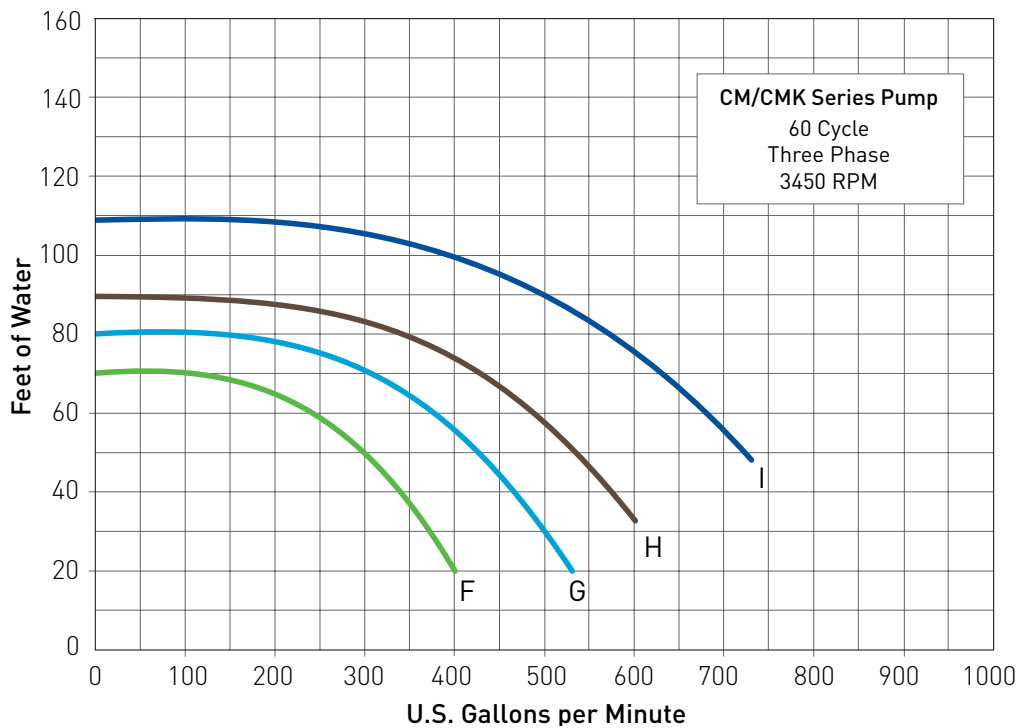
C SERIES®

COMMERCIAL BRONZE PUMPS (CONT'D) WITH HAIR AND LINT STRAINER

CH/CHK SERIES PUMP - 60HZ



CM/CMK SERIES PUMP - 60HZ



For detailed efficiency curves go to www.pentaircommercial.com

See pages 541-542 for replacement parts.

C/CC SERIES™

BRONZE OR CAST IRON COMMERCIAL POOL PUMP



C/CC Series Commercial Pool Pump

Featured Highlights

- For semi-commercial and commercial swimming pool and spa recirculation
- Available in high head and medium head models, providing a complete range of performance characteristics
- Available in 3–5 HP models with 2-1/2 in. NPT suction and 2 in. NPT discharge ports (Non self-primer, requires flooded suction installation.)
- Motors are open drip-proof, continuous duty rated 3450 RPM

CALIFORNIA PROPOSITION 65 WARNING

⚠ **WARNING:** Cancer and Reproductive Harm.
 ⚠ **AVERTISSEMENT:** Peut Causer le Cancer et des Dommages au Système Reproducteur.
 ⚠ **ADVERTENCIA:** Cáncer y Daño Reproductivo.
www.p65warnings.ca.gov

Ordering Information

Product	Voltage	Amps ³	HP	Primary Listings and Certifications ²	Port Size (NPT)	Carton Wt. (Lbs.)	Curve Key
SINGLE PHASE CAST BRONZE							
CMH-136	230	14.0	3	NSF ¹	2-1/2 in. x 2 in.	111	B
CHH-137	230	14.0	3	NSF ¹	2-1/2 in. x 2 in.	116	A
CHJ-138	230	21.5	5	NSF ¹	2-1/2 in. x 2 in.	131	C
SINGLE PHASE CAST IRON							
CCMH-136S	230	14.0	3	NSF ¹	2-1/2 in. x 2 in.	106	B
CCHH-137S	230	14.0	3	NSF ¹	2-1/2 in. x 2 in.	106	A
CCHJ-138	230	21.5	5	NSF ¹	2-1/2 in. x 2 in.	126	C
THREE PHASE CAST BRONZE							
CMH3-136	230/460	9.6/4.8	3	NSF ¹	2-1/2 in. x 2 in.	91	B
CHH3-137	230/460	9.6/4.8	3	NSF ¹	2-1/2 in. x 2 in.	91	A
CHJ3-138	230/460	15.2/7.6	5	NSF ¹	2-1/2 in. x 2 in.	115	C
THREE PHASE CAST IRON							
CCMH3-136S	230/460	9.6/4.8	3	NSF ¹	2-1/2 in. x 2 in.	86	B
CCHH3-137S	230/460	9.6/4.8	3	NSF ¹	2-1/2 in. x 2 in.	86	A
CCHJ3-138S	230/460	15.2/7.6	5	NSF ¹	2-1/2 in. x 2 in.	110	C

* 200 Volt models available. Contact factory for availability.

¹ 'NSF(1)' indicates that pump bears a mark signifying evaluation to NSF Standard 50 For Self-Priming Centrifugal Pumps For Swimming Pools, Spas and Hot Tubs when installed with a NSF certified Hair and Lint Strainer.

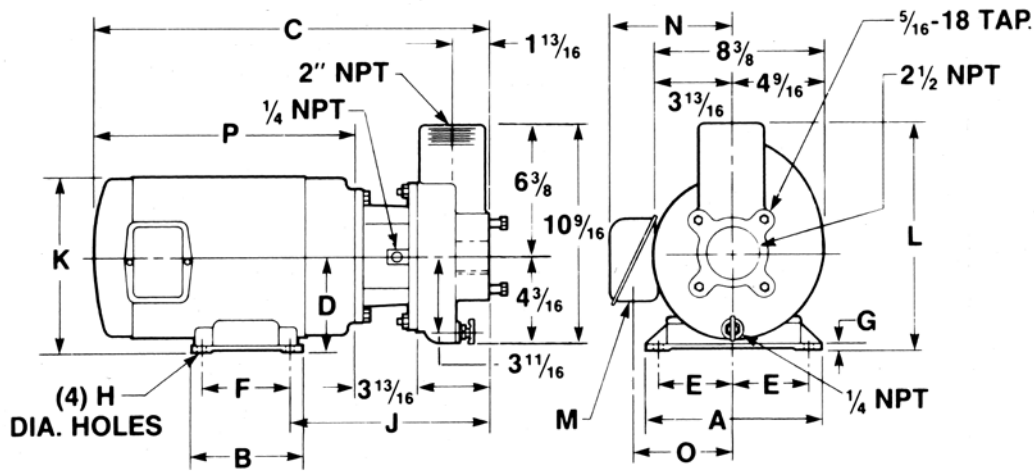
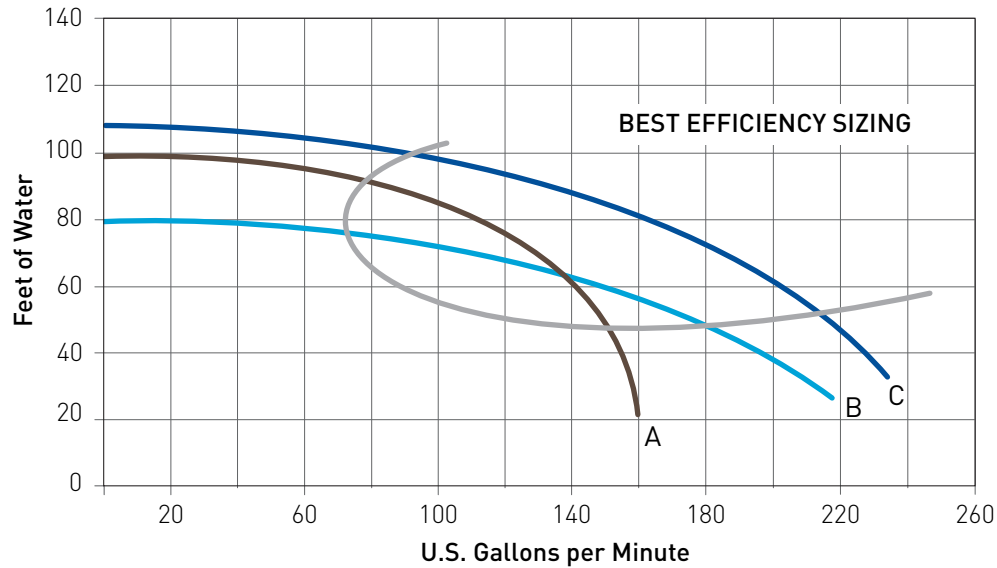
² Product may have been evaluated to other state and local regulatory standards. Listing status may change. Always confirm status with appropriate agency if in doubt.

³ Dimensions and Max Load Amps may vary per motor manufacturer.

C/CC SERIES™

BRONZE OR CAST IRON COMMERCIAL POOL PUMP (CONT'D)

Dimensions and Performance



Ordering Information

Catalog Number	A	B	C*	D	E	F	G*	H*	J	K	L	M*	N*	O*	P*
CHH3-137 CMH3-136	7	6	18-13/32	3-1/2	2-3/4	5	9/32	11/32	9-9/32	7-7/32	9-7/8	3/4	6-29/32	5-13/32	11
CHH-137 CMH-136	9	6-1/2	21-1/2	4-1/2	3-3/4	4-1/2	7/16	7/16	10-5/16	9-23/32	10-7/8	3/4	8-1/8	6-1/2	14-1/8
CHJ3-138 CHJ-138	9	7-1/2	22-1/2	4-1/2	3-3/4	5-1/2	7/16	7/16	10-5/16	9-23/32	10-7/8	3/4	9	6-15/16	15-1/8

All dimensions shown in inches.

See pages 545–546 for replacement parts.

CSP/CCSP SERIES™

COMMERCIAL SELF-PRIMING PUMP



CSP/CCSP Series
Commercial Self-Priming
Pump with PKG 184
Strainer (sold separately)

CALIFORNIA PROPOSITION 65 WARNING
 ⚠️ **WARNING:** Cancer and Reproductive Harm.
 ⚠️ **AVERTISSEMENT:** Peut Causer le Cancer et des Dommages au Système Reproducteur.
 ⚠️ **ADVERTENCIA:** Cáncer y Daño Reproductivo.
www.p65warnings.ca.gov PK30074

Featured Highlights

- Especially designed for commercial and public swimming pools and spas, aquatic facilities, water parks and fountain applications where high performance and self-priming are required
- Pump has enclosed bronze impeller and standard 6 in. x 4 in. A.N.S.I. rated flange connections
- The pump strainer (order separately) has capacity of 1,100 cubic inches. Both pump and strainer can be ordered with optional epoxy coated castings to provide additional performance and corrosion resistance

Ordering Information

Product	Voltage	Amps ¹	HP	SF	SFHP	Primary Listings and Certifications ⁴	Port Size (ANSI Flange)	Carton Wt. (Lbs.)	Curve Key
NEMA RATED STANDARD EFFICIENCY SINGLE PHASE CAST IRON									
CSPHK-142	230	39	7.5	1.15	8.63	NSF ²	6 in. x 4 in.	270	A
CSPHL-143	230	46	10	1.15	11.50	NSF ²	6 in. x 4 in.	275	B
NEMA RATED STANDARD EFFICIENCY SINGLE PHASE EPOXY COATED CAST IRON									
CCSPHK-142	230	39	7.5	1.15	8.63	NSF ²	6 in. x 4 in.	270	E
CCSPHL-143	230	46	10	1.15	11.50	NSF ²	6 in. x 4 in.	275	F
NEMA RATED STANDARD EFFICIENCY THREE PHASE CAST IRON									
CSPHK3-142	230/460	21.2-19.2/9.6	7-1/2	1.25	9.38	NSF ²	6 in. x 4 in.	265	A
CSPHL3-143	230/460	27.6-24.4/12.2	10	1.25	12.50	NSF ²	6 in. x 4 in.	270	B
CSPHM3-144	230/460	44.2-40/20	15	1.25	18.75	NSF ²	6 in. x 4 in.	280	C
CSPHN3-145	230/460	55.3-50/25	20	1.25	25.00	NSF ²	6 in. x 4 in.	325	D
NEMA RATED STANDARD EFFICIENCY THREE PHASE CAST IRON - 200V⁶									
CSPH2K3-142	200	22.1	7-1/2	1.15	8.63	NSF ²	6 in. x 4 in.	265	A
CSPH2L3-143	200	28.1	10	1.25	12.50	NSF ²	6 in. x 4 in.	270	B
CSPH2M3-144	200	42.3	15	1.25	18.75	NSF ²	6 in. x 4 in.	280	C
CSPH2N3-145	200	57.3	20	1.25	25.00	NSF ²	6 in. x 4 in.	350	D
NEMA RATED STANDARD EFFICIENCY THREE PHASE EPOXY COATED CAST IRON									
CCSPHK3-142	230/460	21.2-19.2/9.6	7-1/2	1.25	9.38	NSF ²	6 in. x 4 in.	265	E
CCSPHL3-143	230/460	27.6-24.4/12.2	10	1.25	12.50	NSF ²	6 in. x 4 in.	270	F
CCSPHM3-144	230/460	44.2-40/20	15	1.25	18.75	NSF ²	6 in. x 4 in.	280	G
CCSPHN3-145	230/460	55.3-50/25	20	1.25	25.00	NSF ²	6 in. x 4 in.	325	H
NEMA RATED STANDARD EFFICIENCY THREE PHASE EPOXY COATED CAST IRON - 200 V⁶									
CCSPH2K3-142	200	22.1	7-1/2	1.15	8.63	NSF ²	6 in. x 4 in.	265	E
CCSPH2L3-143	200	28.1	10	1.25	12.50	NSF ²	6 in. x 4 in.	270	F
CCSPH2M3-144	200	42.3	15	1.25	18.75	NSF ²	6 in. x 4 in.	280	G
CCSPH2N3-145	200	57.3	20	1.25	25.00	NSF ²	6 in. x 4 in.	350	H
ACCESSORIES FOR CSP/CCSP SERIES									
PKG 184	Strainer for CSP/CCSP 6 in. ANSI flange (1,100 cu. in. capacity)					NSF ³	6 in. x 6 in.	180	I
PKG 184C	Same as PKG 184 Except Strainer is Epoxy Coated					NSF ³	6 in. x 6 in.	180	I
357262	Flange 4 in. w/ gasket and SS hardware ⁵							20	
357263	Flange 6 in. w/ gasket and SS hardware ⁵							23	

¹ Amp draw may vary depending on motor manufacturer.

² 'NSF(1)' indicates that pump bears a mark signifying evaluation to NSF Standard 50 For Self-Priming Centrifugal Pumps For Swimming Pools And Spas.

³ 'NSF(2)' indicates that product bears a mark signifying evaluation to NSF Standard 50 For Materials and Components.

⁴ Product may have been evaluated to other state and local regulatory standards. Listing status may change. Always confirm status with appropriate agency if in doubt.

⁵ Thermoplastic PVC socket style.

⁶ For 208 volt applications, use 200v model options.

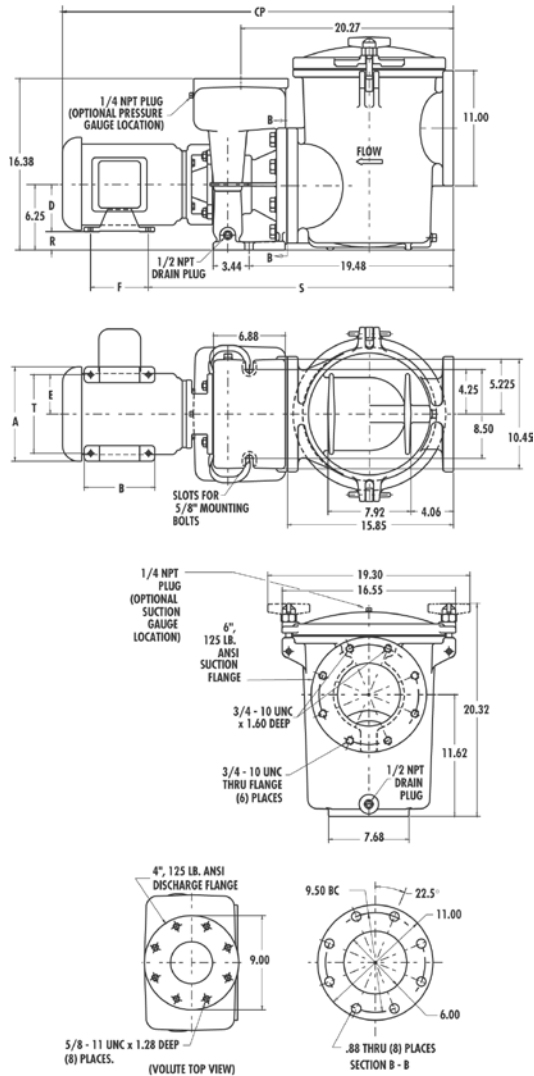
CSP/CCSP SERIES™

COMMERCIAL SELF-PRIMING PUMP (CONT'D)

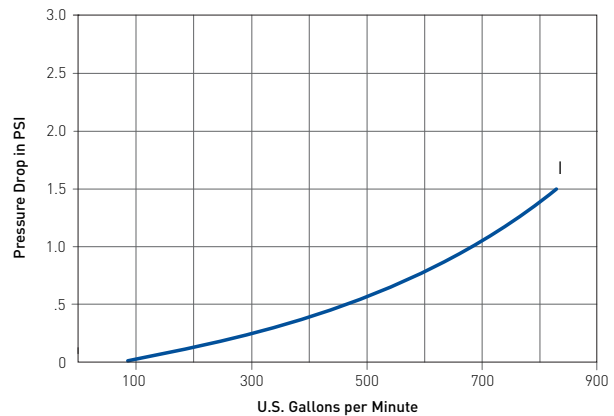
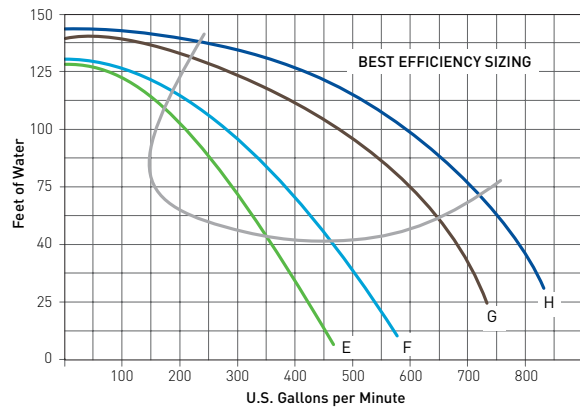
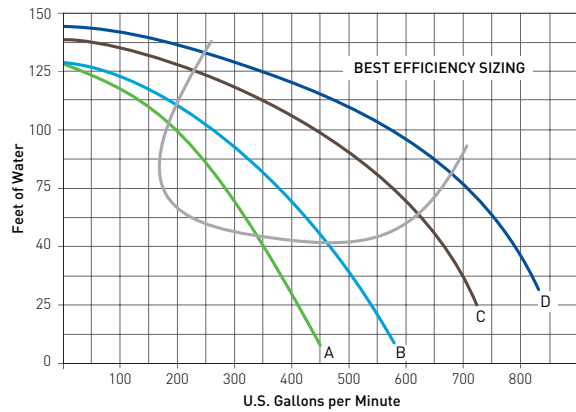
Featured Highlights

Options: CCSP Models feature special epoxy coated castings for maximum performance and corrosion resistance. 60 Hz T.E.F.C., 60 Hz premium efficiency, or 575 volt motors available. Inverter duty rated class F motors available for most models. Contact factory for details.

Note: Maximum ambient temperature for motor is 104°F (40°C). All pump motors require external overload protection (magnetic starter). Pump strainer must be ordered separately. Full load amps on motor model plate.



Dimensions and Performance



Catalog Number	A	B	CP	D	E	F	R	S	T
CSPHK, CCSPHK	10.62	7.00	39.44	5.25	4.25	5.50	1.00	30.00	8.50
CSPHK3, CCSPHK3, CSPH2K3	9.00	6.75	40.31	4.50	3.75	5.50	1.75	29.13	7.50
CSPHL, CCSPHL	10.35	8.26	42.69	5.25	4.25	7.00	1.00	30.00	8.50
CSPHL3, CCSPHL3	10.62	7.00	41.00	5.25	4.25	5.50	1.00	30.00	8.50
CSPHM3, CCSPHM3	10.62	8.50	42.50	5.25	4.25	7.00	1.00	30.00	8.50
CSPH2L3, CSPH2M3	10.62	8.50	42.50	5.25	4.25	7.00	1.00	30.00	8.50
CSPHN3, CCSPHN3	12.50	10.80	46.75	6.25	5.00	8.20	0.00	31.62	10.00
CSPH2N3, CCSPH2N3	13.38	12.44	48.50	6.25	5.00	10.00	0.00	31.65	10.00

All dimensions shown in inches.

See page 547 for replacement parts.

5CSP/5CCSP SERIES™

50 HERTZ COMMERCIAL SELF-PRIMING PUMP



5CSP/5CCSP Series Commercial Self-Priming Pump with PKG 184 Strainer Pot (sold separately)

Featured Highlights

- Especially designed for commercial and public swimming pools and spas, aquatic facilities, water parks and fountain applications where high performance and self-priming are required
- Pump has enclosed bronze impeller and standard 6 in. x 4 in. A.N.S.I. flange connections
- The pump strainer (order separately) has capacity of 1,100 cubic inches. Both pump and strainer can be ordered with optional epoxy coated castings to provide additional performance and corrosion resistance
- **Note: 50 hertz pumps cannot be used in North America.**

CALIFORNIA PROPOSITION 65 WARNING
 ⚠️ **WARNING:** Cancer and Reproductive Harm.
 ⚠️ **AVERTISSEMENT:** Peut Causer le Cancer et des Dommages au Système Reproducteur.
 ⚠️ **ADVERTENCIA:** Cáncer y Daño Reproductivo.
www.p65warnings.ca.gov PK320714

Ordering Information

Product	Voltage	Amps ¹	HP	SF	SFHP	Primary Listings and Certifications ³	Port Size (ANSI Flange)	Carton Wt. (Lbs.)	Curve Key
SINGLE PHASE CAST IRON WITHOUT STRAINER- 50 HZ									
5CSPHJ-142	220-240	35.5-32.5	5	1.00	5		6 in. x 4 in.	270	A
5CSPHK-143	220-240	43.0-39.4	7-1/2	1.00	7-1/2		6 in. x 4 in.	280	B
THREE PHASE CAST IRON WITHOUT STRAINER- 50 HZ									
5CSPHJ3-142	220-240/380-415	13.0/6.9	5	1.00	5		6 in. x 4 in.	260	A
5CSPHK3-143	220-240/380-415	20.7-21.5/12.0/12.4	7-1/2	1.00	7-1/2		6 in. x 4 in.	270	B
5CSPHL3-144	220-240/380-415	27.0-27.5/15.6-15.9	10	1.00	10		6 in. x 4 in.	280	C
5CSPHM3-145	220-240/380-415	38.9-20.6	15	1.00	15		6 in. x 4 in.	300	D
THREE PHASE EPOXY COATED CAST IRON WITHOUT STRAINER - 50 HZ									
5CCSPHJ3-142	220-240/380-415	13.0/6.9	5	1.00	5		6 in. x 4 in.	260	A
5CCSPHK3-143	220-240/380-415	20.7-11.0	7-1/2	1.00	7-1/2		6 in. x 4 in.	270	B
5CCSPHL3-144	220-240/380-415	26.9-14.3	10	1.00	10		6 in. x 4 in.	280	C
5CCSPHM3-145	220-240/380-415	38.9-20.6	15	1.00	15		6 in. x 4 in.	300	D
ACCESSORIES FOR 5CSP/5CCSP SERIES									
PKG 184	Strainer for CSP/CCSP 6 in. ANSI flange (1,100 cu. in. capacity)					NSF ⁴	6 in. x 6 in.	180	I
PKG 184C	Same as PKG 184 Except Strainer is Epoxy Coated					NSF ⁴	6 in. x 6 in.	180	I
357262	Flange 4 in. w/ gasket and SS hardware ²							20	
357263	Flange 6 in. w/ gasket and SS hardware ²							23	

¹ Amp draw may vary depending on motor manufacturer. Full load amps on motor model plate.

² Thermoplastic PVC socket style.

³ Product may have been evaluated to other state and local regulatory standards. Listing status may change. Always confirm status with appropriate agency if in doubt.

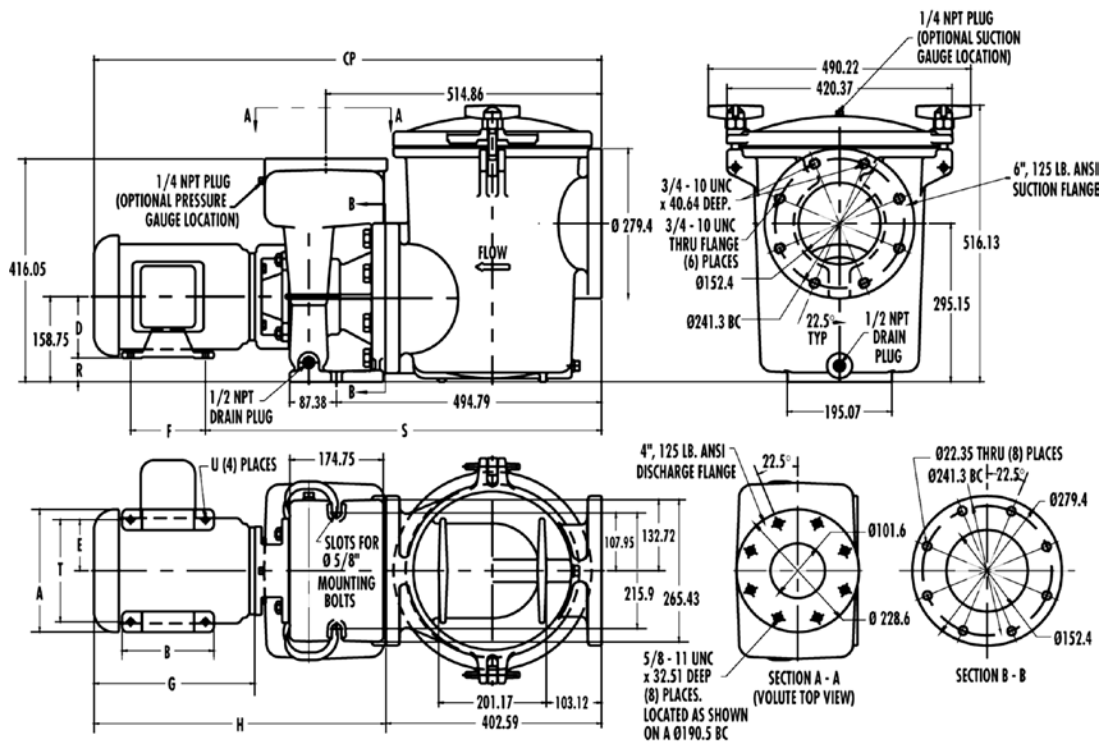
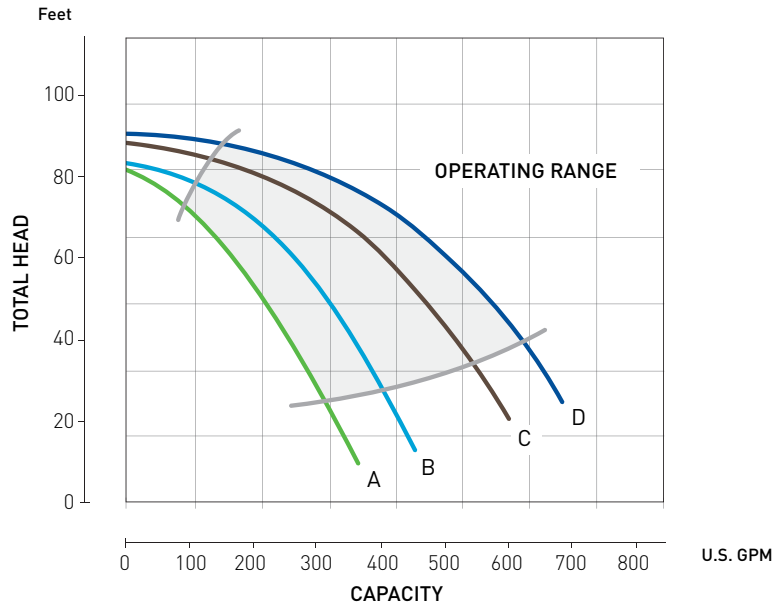
⁴ 'NSF(2)' indicates that product bears a mark signifying evaluation to NSF Standard 50 For Materials and Components.

See pages 258 for Hair and Lint Strainer Packages.

5CSP/5CCSP SERIES™

50 HERTZ COMMERCIAL SELF-PRIMING PUMP (CONT'D)

Dimensions and Performance



Catalog Number	A	B	CP	D	E	F	R	S	T
5CSPHJ	269.75	177.8	1039.62	133.25	107.95	139.7	25.4	733.3	215.9
5CSPHK	269.75	215.9	1075.69	133.25	107.95	177.8	25.4	733.3	215.9
5CSPHJ3	228.6	171.45	988.82	133.25	95.25	139.7	44.45	734.06	190.5
5CSPHK3	269.75	177.8	1039.62	133.25	107.95	139.7	25.4	733.3	215.9
5CSPHL3	269.75	215.9	1075.69	133.25	107.95	177.8	25.4	733.3	215.9
5CSPHM3	317.5	274.32	1185.67	158.75	127.0	209.55	—	793.75	254.0

All dimensions shown in millimeters.

D-SERIES™

CAST IRON SELF-PRIMING CENTRIFUGAL COMMERCIAL PUMP



D Series Cast Iron Self-Priming
Centrifugal Commercial Pool Pump

CALIFORNIA PROPOSITION 65 WARNING

⚠ **WARNING:** Cancer and Reproductive Harm.
 ⚠ **AVERTISSEMENT:** Peut Causer le Cancer
 et des Dommages au Système Reproducteur.
 ⚠ **ADVERTENCIA:** Cáncer y Daño Reproductivo.
www.p65warnings.ca.gov

Featured Highlights

- Especially designed for commercial and public swimming pools and spas, aquatic facilities, water parks and fountain applications where high performance and self-priming characteristics are desired
- These self-priming, high performance pumps are available in high head and medium head models, providing a complete range of performance characteristics
- Motors are open drip-proof, continuous duty rated 3450 RPM.

Ordering Information

Product	Voltage	Amps ¹	HP	Primary Listings and Certifications ³	Port Size (NPT)	Carton Wt. (Lbs.)	Curve Key
STANDARD EFFICIENCY SINGLE PHASE HIGH HEAD							
DHH-169	230	13.4	3	NSF ²	1-1/2 in.	135	A
DMH-171	230	13.4	3	NSF ²	2 in.	135	C
STANDARD EFFICIENCY SINGLE PHASE MEDIUM HEAD							
DHJ-170	230	22.0	5	NSF ²	2 in.	178	B
DMJ-172	230	22.0	5	NSF ²	2-1/2 in.	178	D
STANDARD EFFICIENCY THREE PHASE HIGH HEAD							
DHH3-169	230/460	8.6/4.3	3	NSF ²	1-1/2 in.	135	A
DMH3-171	230/460	8.6/4.3	3	NSF ²	2 in.	135	C
STANDARD EFFICIENCY THREE PHASE MEDIUM HEAD							
DHJ3-170	230/460	13.2/6.6	5	NSF ²	2 in.	178	B
DMJ3-172	230/460	13.2/6.6	5	NSF ²	2-1/2 in.	178	D

* 200 Volt models available. Contact factory for details.

¹ Dimensions and Max Load Amps may vary per motor manufacturer.

² 'NSF(1)' indicates that pump bears a mark signifying evaluation to NSF Standard 50 For Self-Priming Centrifugal Pumps For Swimming Pools, Spas and Hot Tubs when installed with a NSF certified Hair and Lint Strainer.

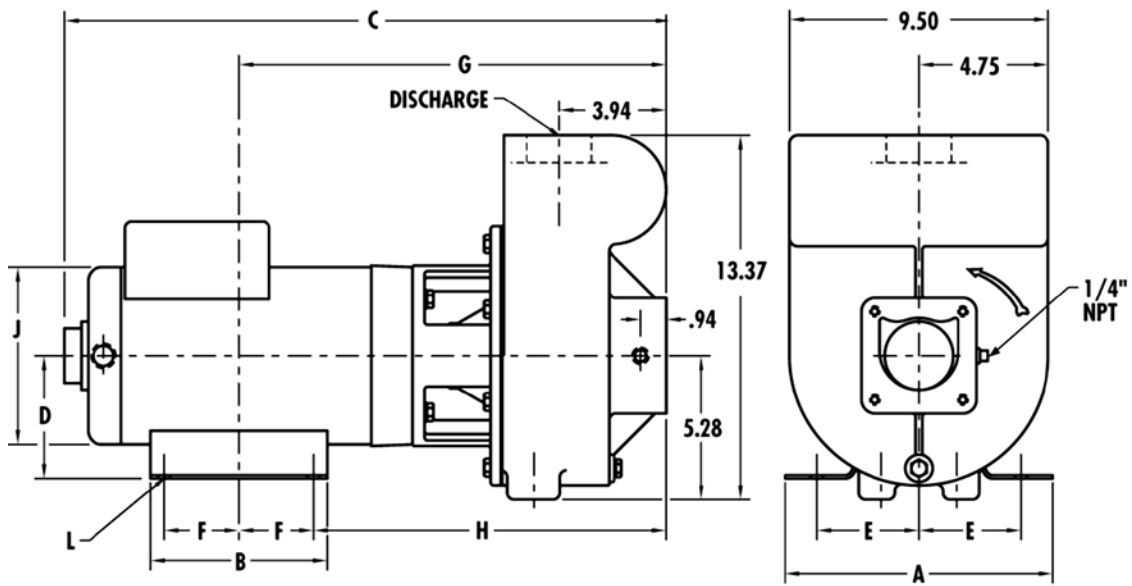
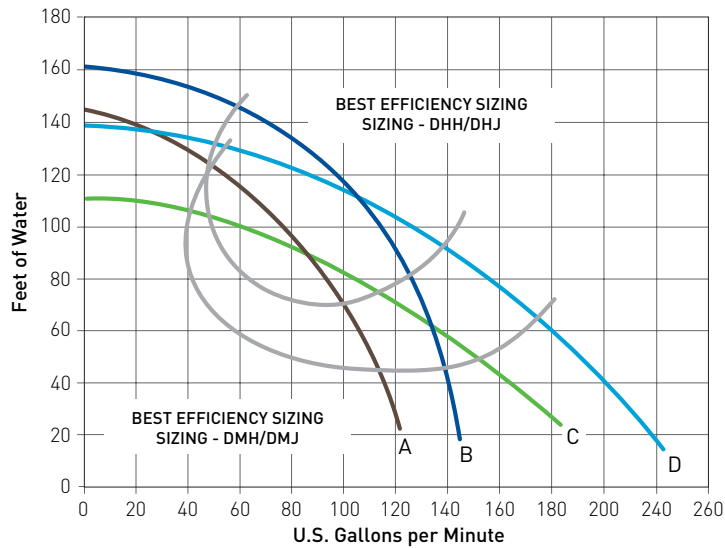
³ Product may have been evaluated to other state and local regulatory standards. Listing status may change. Always confirm status with appropriate agency if in doubt.

See pages 258 for Hair and Lint Strainer Packages.

D-SERIES™

CAST IRON SELF-PRIMING CENTRIFUGAL COMMERCIAL PUMP (CONT'D)

Dimensions and Performance



Note: "L" mounting dimension: .44 Slot = 3/8 in. Bolt .34 Diameter = 5/16 in.

Catalog Number	HP	Discharge (NPT)	A	B	C*	D	E	F	G	H	J	L
DHH-169	3	1-1/2	8.75	6.50	21.37	4.50	3.75	2.25	15.21	12.96	6.51	.44 SLOT
DHH3-169	3	1-1/2	6.50	6.50	19.87	3.50	2.75	2.50	14.45	12.20	6.51	.34 DIA.
DHJ-170	5	2	8.75	6.50	22.12	4.50	3.75	2.75	15.71	12.96	6.51	.44 SLOT
DHJ3-172	5	2	8.75	6.50	21.62	4.50	3.75	2.25	15.21	12.96	6.50	.44 SLOT
DMH-171	3	2	8.75	6.50	21.37	4.50	3.75	2.25	15.21	12.96	6.51	.44 SLOT
DMH3-171	3	2	6.50	6.50	19.87	3.50	2.75	2.50	14.45	12.20	6.51	.34 DIA.
DMJ-172	5	2-1/2	8.75	6.50	22.12	4.50	3.75	2.75	15.71	12.96	6.51	.44 SLOT
DMJ3-172	5	2-1/2	8.75	6.50	21.62	4.50	3.75	2.25	15.21	12.96	6.50	.44 SLOT

See page 548 for replacement parts.

AURORA® 3800 SERIES AND 410 SERIES

END SUCTION AND SPLIT CASE PUMPS



3801

Featured Highlights

- Multiple configurations available
- Models to 100 ft. TDH
- Compatible with Acu Drive™ XS VF Drive
- Cast Iron Stainless Steel Fitted Models
- Flooded Suction applications
- Highly reliable performance
- NSF approved models available
- Various flow capabilities for all applications
- Epoxy Coating option available
- ODP and TEFC motors in Standard and Premium efficiency available
- PS Series In-line Strainers match up to most Aurora pumps.

Pentair now offers the Aurora 3800 Series End Suction and the 410 Series Split Case Pumps for commercial pools, spas, and other water applications. The 3800 and 410 Series are available in horizontal and vertical configurations in horsepower's to 150 and flows to 8,000 GPM.

Ordering Information

Product	Description	Carton Wt. (Lbs.)
Please contact our factory (1-800-831-7133) for applications sizing, pricing, and availability.		
AURORA PUMP ACCESSORIES FLANGE ASSEMBLY KITS		
357259	Flange 2-1/2 in. w/ gasket and SS hardware ¹	16
357260	Flange 5 in. w/ gasket and SS hardware ¹	22
357261	Flange 3 in. w/ gasket and SS hardware ¹	18
357262	Flange 4 in. w/ gasket and SS hardware ¹	20
357263	Flange 6 in. w/ gasket and SS hardware ¹	23

¹ Thermoplastic PVC socket style.

CALIFORNIA PROPOSITION 65 WARNING

⚠ **WARNING:** Cancer and Reproductive Harm.
 ⚠ **AVERTISSEMENT:** Peut Causer le Cancer et des Dommages au Système Reproducteur.
 ⚠ **ADVERTENCIA:** Cáncer y Daño Reproductivo.

www.p65warnings.ca.gov
PH205714

BERKELEY® B-SERIES

CENTRIFUGAL COMMERCIAL PUMPS



Featured Highlights

Where a large volume of water is needed, in flooded suction applications, Berkeley brand pumps can accommodate almost any water-moving needs. Berkeley brand pumps have been one of the top names in the water systems for decades. Once recognized for only being affiliated with irrigation and water systems, Berkeley pumps are now available in many configurations to be used in the following applications:

- Water features
- Water parks
- Aquaculture
- Commercial pools and spas

The pumps included in the chart below show just a small sampling of the many pump sizes and designs that are available. In addition, we offer a wide range of gpm/head configurations; 1200, 1750, or 3450 rpm motors; 50 or 60 Hz; optional high-efficiency motors; voltage, horsepower, and service factor options; lead-free bronze impellers; flange or threaded connection in many sizes; and packing or mechanical shaft seal design pumps. Flooded suction required. For a complete selection guide to help you size the pump(s) that best fit your needs, call our customer service at 1-800-831-7133, or use the convenient Berkeley Electronic Catalog (BEC) located at www.berkeleypumps.com.

- Berkeley pumps are not NSF approved.



Berkeley B-Series

CALIFORNIA PROPOSITION 65 WARNING

⚠ **WARNING:** Cancer and Reproductive Harm.
 ⚠ **AVERTISSEMENT:** Peut Causer le Cancer et des Dommages au Système Reproducteur.
 ⚠ **ADVERTENCIA:** Cáncer y Daño Reproductivo.
www.p65warnings.ca.gov

Ordering Information

CALL FOR QUOTE

Product	General Pump Design Model	HP	Best Operating Performance G.P.M.	Connection at X ft. of Head	RPM	Flange (inches)
BERKELEY B-SERIES PUMPS						
B71943S	B3ZPMS	5 HP	350	40	1800	3 x 4
B71945S	B3ZPMS	7.5 HP	400	53	1800	3 x 4
B71947S	B3ZPMS	10 HP	500	60	1800	3 x 4
B71949S	B3ZPMS	15 HP	600	63	1800	3 x 4
B76775	B5EPHS	20 HP	950	60	1800	5 x 6
B76776	B5EPHS	25 HP	1050	65	1800	5 x 6
B75861	B4GPBHS	30 HP	1100	85	1800	4 x 6
B74945	B6JPBMS	40 HP	1500	80	1800	6 x 8
B76786	B8GPBMS	50 HP	2700	50	1800	8 x 10

Options: The above pumps have silicon bronze impellers, flanged connections, close-coupled, open drip-proof motors, and mechanical shaft seals. As mentioned in the text at the top of the page, many options are available. Please call our Customer Service at 800-831-7133 or try using the convenient "BEC" system at www.berkeleypumps.com.

BOOST-RITE® BOOSTER PUMP

PRESSURE-SIDE CLEANER PUMP



Boost-Rite
Booster Pump
(includes hose kit
and adapters)

CALIFORNIA PROPOSITION 65 WARNING

⚠ **WARNING:** Cancer and Reproductive Harm.
 ⚠ **AVERTISSEMENT:** Peut Causer le Cancer
 et des Dommages au Système Reproducteur.
 ⚠ **ADVERTENCIA:** Cáncer y Daño Reproductivo.
 www.p65warnings.ca.gov. PHS2017A

Featured Highlights

- Ideal replacement for pressure-side booster pumps
- 5-stage impeller design reduces electricity use
- Provides 50 psi@ 13.2 US GPM
- Includes Hose Adapter Kit (353040)
- Condensed size is 1/3 smaller than competing pumps, taking up less space on equipment pad
- Larger wiring compartment for easy access and installation
- UL and cUL listed; 60 Hz; 1-Phase

It's advanced 5-stage impeller design delivers greater water pressure for more powerful cleaning. Boost-Rite Booster Pump has 1" fittings which allow for better flow and efficiency. The Totally Enclosed Fan Cooled (TEFC) motor design allow the pump to run cooler and quieter.

Ordering Information

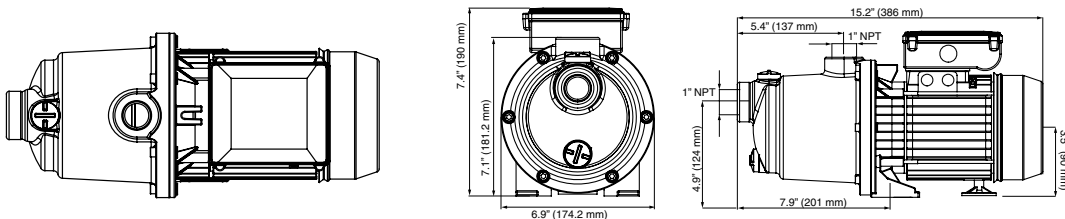
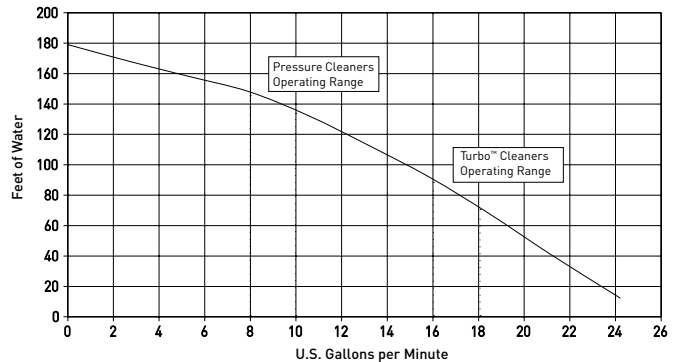
Product	Voltage	Full Load Amps	HP	SF	SFHP	Primary Listings and Certifications ²	Port Size (NPT)	Carton Wt. (Lbs.)
ENERGY EFFICIENT SINGLE SPEED								
LA-MS05	115/230	10.2/5.1	1.1	1.0	1.1	UL ¹	1"	26.5
ACCESSORIES								
353040	Boost-Rite Pump Hose Kit (includes 3/4" - 1" Adapters (2); 6 ft. Hose (1))							
353094	Boost-Rite Pump 1" Hose Fitting Kit							

¹ 'UL' indicates that pump bears a specific UL mark signifying evaluation to U.S. Standards UL1081 for Permanently Connected Swimming Pool and Spa Pumps and to Canadian Standards CAN/CSA C22.2 No. 108-01 Liquid Pumps For Swimming Pools And Spas. (Enclosure 3).

² Product may have been evaluated to other state and local regulatory standards. Listing status may change. Always confirm status with appropriate agency if in doubt.

• **Pumps and replacement motors that are single speed and one (1) Total HP or greater cannot be sold, offered for sale, or installed in a residential pool for filtration use in California, Title 20 CCR sections 1601-1609.**

Dimensions and Performance



See page 551 for replacement parts.

BOOSTER PUMP

PRESSURE-SIDE CLEANER PUMP

Featured Highlights

- Use with all pressure-side pool cleaners
- Hose and adapters included
- Ideal for pressure-side Booster pump replacement

Combines ultimate performance with efficiency for pressure-side pool cleaner ease. The 3/4 HP booster pump is made from durable, corrosion-proof materials, and provides 50 psi at 12 GPM.

CALIFORNIA PROPOSITION 65 WARNING
 ⚠️ **WARNING:** Cancer and Reproductive Harm.
 ⚠️ **AVERTISSEMENT:** Peut Causer le Cancer et des Dommages au Système Reproducteur.
 ⚠️ **ADVERTENCIA:** Cáncer y Daño Reproductivo.
www.p65warnings.ca.gov PR320714



Booster Pump

Hose and adapters included



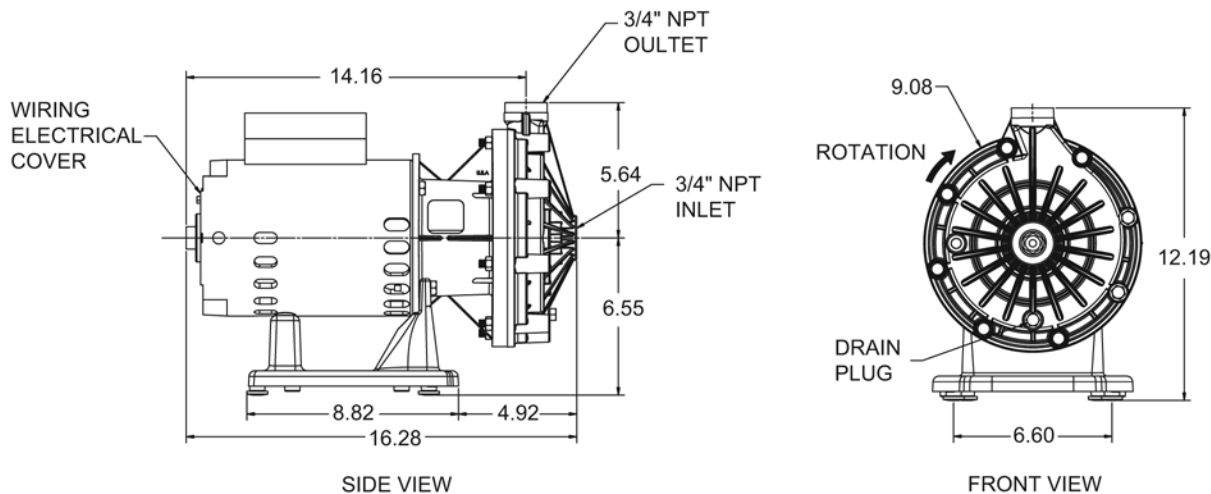
Ordering Information

Product	Voltage	Full Load Amps	HP	SF	SFHP	Primary Listings and Certifications ²	Port Size (NPT)	Carton Wt. (Lbs.)
ENERGY EFFICIENT SINGLE SPEED								
LA01N	115/230	13.0/6.5	3/4	1.50	1.13	UL ¹	3/4 in. x 3/4 in.	32
ACCESSORIES								
353020	Booster Pump Hose Kit							4
370239	Booster Pump Adapter Kit (4 hose adapters in a bag, no hose)							

¹ 'UL(2)' indicates that pump bears a UL mark signifying evaluation to U.S. Standards UL1081 for Permanently Connected Swimming Pool Pumps Only.

² Product may have been evaluated to other state and local regulatory standards. Listing status may change. Always confirm status with appropriate agency if in doubt.

Dimensions and Performance



See page 552 for replacement parts.

PCD-1000 SUBMERSIBLE PUMP

STAINLESS STEEL SUBMERSIBLE POOL SERVICE PUMP



Submersible Pool Service Pump

Featured Highlights

- 115V, 60 Hz single phase, permanent split capacitor motor
- Automatic thermal overload protection
- Clog-resistant cast stainless steel impeller
- Accommodates water temperatures ranging from 32 degrees F to 130 degrees F
- Permanently lubricated ball bearings
- Equipped with 15-foot, 18/3 grounding type power cord
- Convenient top-mounted handle
- Rubber feet to eliminate scratching
- Optional float switch included

The PCD-1000 submersible, portable, high capacity pump designed for use by the professional in draining pools and spas as well as for general purpose applications, now has improved flow rates, and stainless steel casing, suction strainer, impeller and shaft for greater corrosion resistance and longer service life.

The PCD-1000 can pump water down to 1-3/8 inches in depth. Debris and stones up to 3/4 inch are able to pass through the pump. It also features a 1-1/4 inch discharge port for faster draining. Discharge port adaptors are included. Optional float switch included; switch stops pump when low water level reached. Remove float switch for constant run.

CALIFORNIA PROPOSITION 65 WARNING
 ⚠️ **WARNING:** Cancer and Reproductive Harm.
 ⚠️ **AVERTISSEMENT:** Peut Causer le Cancer et des Dommages au Système Reproducteur.
 ⚠️ **ADVERTENCIA:** Cáncer y Daño Reproductivo.
www.p65warnings.ca.gov P182011A

Adaptors included:

- 1-1/4 in. Female NPT Elbow
- 1-1/4 in. Male NPT to 1-1/2 in. Female NPT Adaptor



Optional Float Switch Included



Ordering Information

Product	Description	Voltage	Full Load Amps	HP	Carton Wt. (Lbs.)
STAINLESS STEEL SUBMERSIBLE WITH BRASS BASE					
PCD-1000	Submersible Utility Pump	115	6.4	3/4	15
ACCESSORIES					
ZBR46760	Replacement Float Switch				

Dimensions and Performance

Model	HP	Motor Full Load (Amps)	RPM	Minimum Circuit Req.	Liquid Temperature Range	Switch Setting		Pumps Down To
						On	Off	
PCD-1000	3/4	6.4	3450	15 amps	32/130°F 0/54°C	12" 30 cm	6" 15.2 cm	1 3/8" 3.5 cm

Pump Performance TDH/GPM						Shut Off Head
TDH	5'	10'	15'	20'	25'	28
GPM	55	45.5	36.5	25	8.5	N/A

PARTS-PAKS™ AND ACCESSORIES

POINT-OF-SALE, STOCK ROOM, SERVICE VEHICLE



OVERHAUL KITS – Attractive, clamshell packaging contains recommended parts for seal/gasket servicing or complete overhaul of most swimming pool/spa pumps. Eliminate the need for large parts inventories, protect parts from damage, and reduce paperwork.

Ordering Information

Pump Model by HP				
Product	PE, P2R	PEA, P2RA	PR	PRA
SEAL/GASKET KITS – Include shaft seal, gaskets, and O-rings				
PP1010	1/3	1/3, 1/2		1/2
PP1011	1/2	3/4	1/2	3/4
PP1012			3/4	1
PP1014	3/4	1		
PP1016	1	1-1/2		
PP1017	2	2-1/2	2	2-1/2
PP1018	1-1/2	2		
PP1019	3			



Pump Model by HP			
Product	CH, LT, L1	LHA, LTA, L1A	PCD
SEAL/GASKET KITS – Include shaft seal, gaskets, and O-rings			
PP1080	1/6		
PP1081	1/3	1/2	
PP1082	1/2	3/4	
PP1682			1/2

Pump Model by HP			
Product	P4E, P4R	P4EA, P4RA	MPRA, MPEA
SEAL/GASKET KITS – Include shaft seal, gaskets, and O-rings			
PP4010	3/4	1	
PP4011	1	1-1/2	
PP4012	1-1/2	2	
PP4013	2	2-1/2	
PP4014	3		
PP3010			3/4
PP3011			1
PP3012			1-1/2
PP3013			2

CALIFORNIA PROPOSITION 65 WARNING
 ⚠️ **WARNING:** Cancer and Reproductive Harm.
 ⚠️ **AVERTISSEMENT:** Peut Causer le Cancer et des Dommages au Système Reproducteur.
 ⚠️ **ADVERTENCIA:** Cáncer y Daño Reproductivo.
www.p65warnings.ca.gov P8381744

Product	Description	Carton Wt. (Lbs.)
SEAL/GASKET KITS – Include shaft seal, gaskets, and O-rings		
PP1075	LH, LHA, LT, LTA, L1, L1A - All HP	
PP3000	MPRA, MPEA - All HP	
PP1000	PE, PEA, PR, PRA, P2R, P2RA (models with copper insert pre-1998) - All HP	
PP4000	P4E, P4EA, P4R, P4RA (models with copper insert pre-1998) - All HP	
PP1200	PE, PEA, P2R, P2RA (models without copper insert beginning 1998) - All HP	
PP4200	P4E, P4EA, P4R, P4RA (models without copper insert beginning 1998) - All HP	
TRAP LID KITS – Include trap lid and trap lid o-ring		
PP2075	PE, PEA, PR, PRA, P2R, P2RA (with 5 in. trap – standard) - ALL HP	
PP4075	P4E, P4EA, P4R, P4RA, MPR, MPE (with 6 in. trap – standard) - ALL HP	
PUMP CONNECTOR UNION HALF (WILL NOT FIT DJ OR TP SERIES PUMPS)		
PKG 188Z	2 in. Union x 2 in. Slip, 2 per Pkg.	1
PKG 189	2 in. Union x 2 in. FPT, 2 per Pkg.	1
77703-0100	2 in. Union x 1-1/2 in. FPT, 2 per Pkg.	1
77703-0101	2 in. Union x 1-1/2 in. Slip, 2 per Pkg.	1
PUMP BASE NOISE REDUCER		
17350-0008	Rubber Pump Base Pad for MPR, P4R, P4E, TPR, TPE Models	1

HAIR AND LINT STRAINER PACKAGES

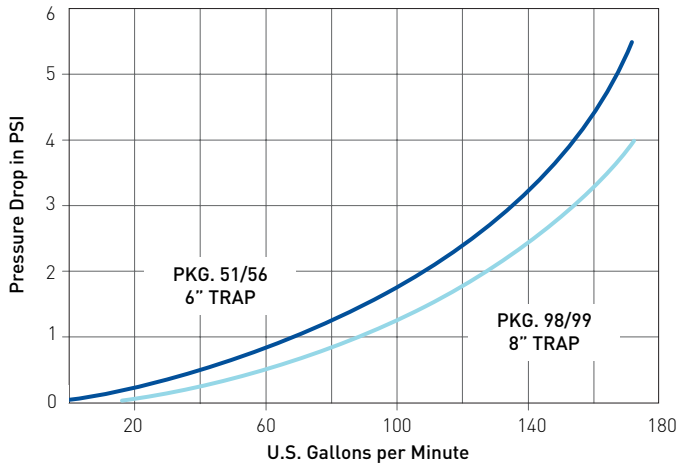


Ordering Information

Product	Description	Suction Port Size	Carton Wt. (Lbs.)
HAIR AND LINT STRAINER PACKAGES			
PKG 115	5 in. Trap with Basket (For Dura-Glas, Max-E-Glas and JWP Pumps)	1-1/2 in. NPT	5
PKG 51	6 in. Cast Iron Trap with Basket (For C, CC, and D Series Pumps)	2 in. NPT	20
PKG 56	6 in. Bronze Trap with Basket (For C, CC, and D Series Pumps)	2 in. NPT	20
PKG 98	8 in. Cast Iron Trap with Basket (For C, CC, and D Series Pumps)	3 in. NPT	40
PKG 76	Cast Iron Flange for Remote Trap Install	3 in. NPT	4
PKG 161	6 in. PPO Resin Strainer (For P2R, PE Series, Dura-Glas and Max-E-Glas Pumps)	2 in. NPT	6
PKG 184	CSP Series Hair and Lint Strainer (1100 cu. in. capacity)	6 in. ANSI Flange	180
PKG 184C	CCSP Series Hair and Lint Strainer – Coated (1100 cu. in. capacity)	6 in. ANSI Flange	180
PKG 73	3 in. Suction Flange (For C, CC, and D Series Pumps)		
PKG 72	2.5 in. Suction Flange (For C, CC, and D Series Pumps)		
PKG 52	1.5 in. Suction Flange (For C, CC, and D Series Pumps)		
PKG 53	1.5 in. Suction Flange (For C, CC, and D Series Pumps)		

CALIFORNIA PROPOSITION 65 WARNING
 ⚠️ **WARNING:** Cancer and Reproductive Harm.
 ⚠️ **AVERTISSEMENT:** Peut Causer le Cancer et des Dommages au Système Reproducteur.
 ⚠️ **ADVERTENCIA:** Cáncer y Daño Reproductivo.
www.p65warnings.ca.gov

Dimensions and Performance



PKG 76



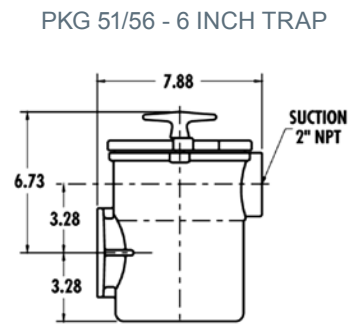
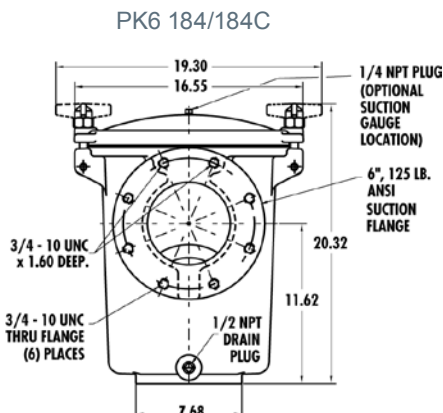
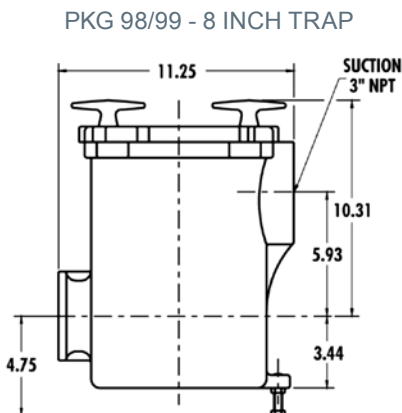
PKG 98 - 8 in.



PKG 184 - 8 in.



PKG 51 - 5 in. OR 6 in.



PS SERIES™ IN-LINE STRAINER

FOR COMMERCIAL SERIES PUMPS

Featured Highlights

- Superior design for hydraulic performance
- Clear lid with easy access allows for simple visibility of debris
- Extra large stainless steel strainer basket
- 50 psi rating
- NSF listed



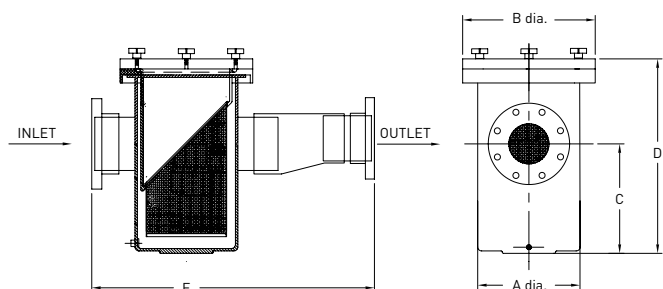
PS Series In-Line Strainer

CALIFORNIA PROPOSITION 65 WARNING
 ⚠️ **WARNING:** Cancer and Reproductive Harm.
 ⚠️ **AVERTISSEMENT:** Peut Causer le Cancer et des Dommages au Système Reproducteur.
 ⚠️ **ADVERTENCIA:** Cáncer y Daño Reproductivo.
www.p65warnings.ca.gov PS-2017-14

The Commercial PS Series In-Line Strainers from Pentair are designed for ease of installation and hydraulic efficiencies in commercial aquatics applications. In three standard sizes and with the addition of eccentric reducers PS Series strainers fit with almost any plumbing configuration. The design of the PS Series accommodates the high-flow performance in a variety of applications. ANSI flange bolt pattern allows for ease of installation and peace of mind.

Ordering Information

Product	Description	Flange Size		Typical Max. Flow (GPM)	A (Inches)	B (Inches)	C (Inches)	D (Inches)	E (Inches)
		Inlet (suction)	Outlet (pump)						
PS SERIES 6 INCH SUCTION									
PS6X6	Straight	6 in.	6 in.	540	12-3/4	16-1/2	13-5/8	25-1/2	23-5/8
PS6X5E	Eccentric Reducing	6 in.	5 in.	540	12-3/4	16-1/2	13-5/8	25-1/2	35-1/4
PS6X4E	Eccentric Reducing	6 in.	4 in.	540	12-3/4	16-1/2	13-5/8	25-1/2	32-7/8
PS6X3E	Eccentric Reducing	6 in.	3 in.	540	12-3/4	16-1/2	13-5/8	25-1/2	38
PS SERIES 8 INCH SUCTION									
PS8X8	Straight	8 in.	8 in.	930	12-3/4	16-1/2	13-5/8	25-1/2	23-3/8
PS8X6E	Eccentric Reducing	8 in.	6 in.	930	12-3/4	16-1/2	13-5/8	25-1/2	35-7/8
PS8X5E	Eccentric Reducing	8 in.	5 in.	930	12-3/4	16-1/2	13-5/8	25-1/2	43-1/2
PS8X4E	Eccentric Reducing	8 in.	4 in.	930	12-3/4	16-1/2	13-5/8	25-1/2	41-1/4
PS SERIES 10 INCH SUCTION									
PS10X10	Straight	10 in.	10 in.	1470	12-3/4	16-1/2	20-5/8	32-1/2	24-1/2
PS10X8E	Eccentric Reducing	10 in.	8 in.	1470	12-3/4	16-1/2	20-5/8	32-1/2	38-3/4
PS10X6E	Eccentric Reducing	10 in.	6 in.	1470	12-3/4	16-1/2	20-5/8	32-1/2	47
PS10X5E	Eccentric Reducing	10 in.	5 in.	1470	12-3/4	16-1/2	20-5/8	32-1/2	54-1/2
BASKETS									
67150	PS6 and PS8 Basket								
67152	PS10 Basket								



Dimensions and Performance

1. Select inlet size based on size of suction pipe. Use chart above to determine Typical Max. Flow in pipe size based on flow velocity of 6 fps.
2. Select strainer outlet size to match pump inlet where practical.
3. Also available with custom flange sizes. Call factory for more information.

CONVERSION REFERENCE CHARTS

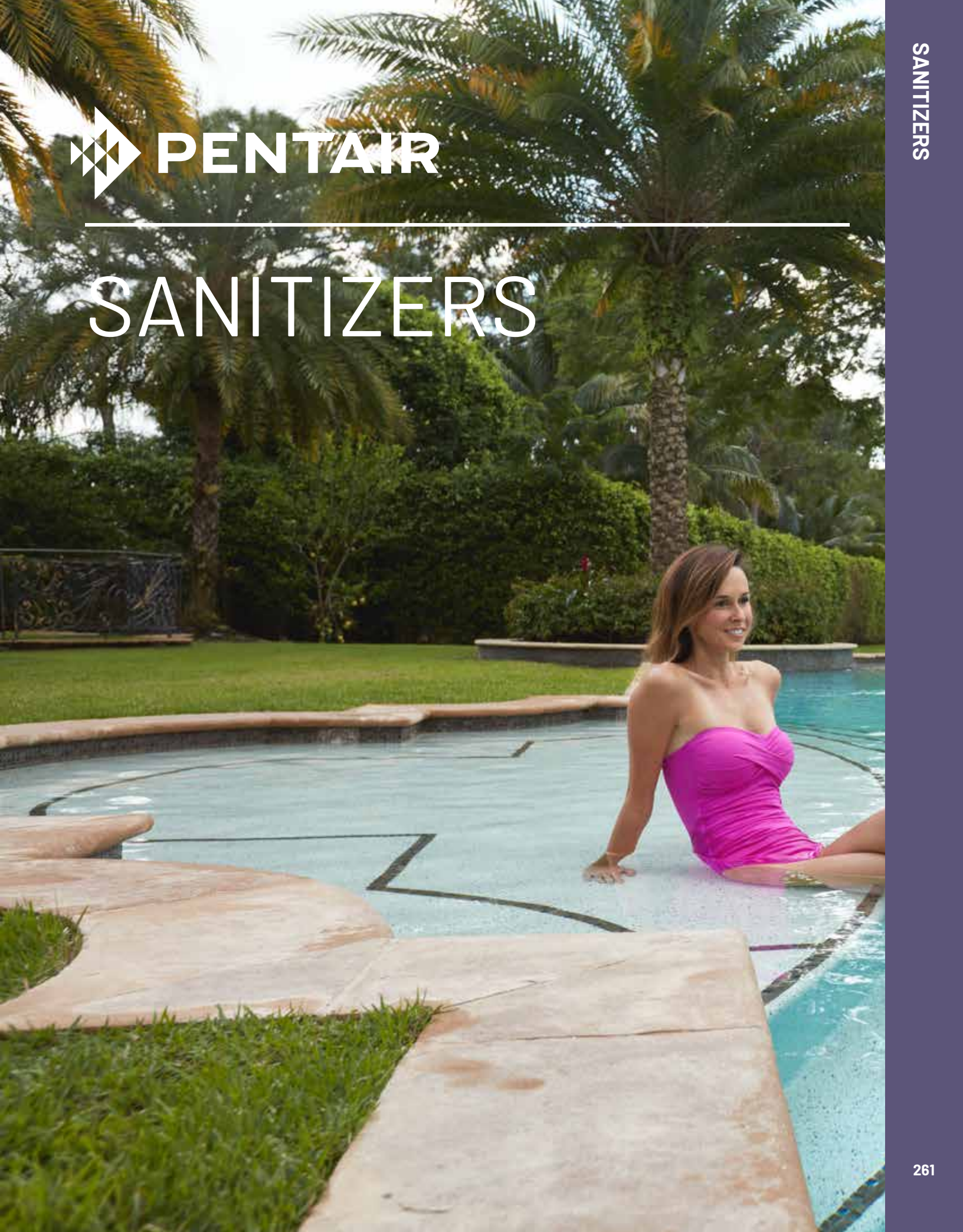
1 U.S. Gallon/Minute = 0.22712470704 Cubic Meter/Hour
1 U.S. Gallon/Minute = 0.83267418463 UK Gallon/Minute
1 Foot of Water/Head = 0.30487804878 Meter of Water/Head
1 Foot of Water/Head = 0.43352750193 Pound/Square Inch

Pressure to Head Conversion		
Feet of Water	Meters of Water	PSI
10	3.05	4.34
20	6.10	8.67
30	9.15	13.01
40	12.20	17.34
50	15.24	21.68
60	18.29	26.01
70	21.34	30.35
80	24.39	34.68
90	27.44	39.02
100	30.49	43.35
110	33.54	47.69
120	36.59	52.02
130	39.63	56.36
140	42.68	60.69
150	45.73	65.03

Volumetric Flow Rate Conversion		
US Gallons per Minute	Cubic Meters per Hour	British Gallons per Minute
10	2.27	8.33
20	4.54	16.65
30	6.81	24.98
40	9.09	33.31
50	11.36	41.64
60	13.63	49.96
70	15.90	58.29
80	18.17	66.62
90	20.44	74.94
100	22.71	83.27
110	24.98	91.60
120	27.26	99.92
130	29.53	108.25
140	31.80	116.58
150	34.07	124.91
160	36.34	133.23
170	38.61	141.56
180	40.88	149.89
190	43.15	158.21
200	45.43	166.54
210	47.70	174.87
220	49.97	183.19
230	52.24	191.52
240	54.51	199.85
250	56.78	208.18
260	59.05	216.50
270	61.32	224.83
280	63.60	233.16
290	65.87	241.48
300	68.14	249.81
310	70.41	258.14
320	72.68	266.46
330	74.95	274.79
340	77.22	283.12
350	79.49	291.45
360	81.77	299.77
370	84.04	308.10
380	86.31	316.43
390	88.58	324.75
400	90.85	333.08



SANITIZERS



iCHLOR® SALT CHLORINE GENERATOR

Featured Highlights

- Ability to operate at lower flow rates (20 GPM)
- Adjust sanitizing level in one-percent increments from 1-100%
- Real-time data for fast and easy monitoring
- Electronics are isolated in the cell away from high-heat components —for longer electronic component life
- SmartSense™ Flow Detection*, assesses status of the IntelliFlo® Pump before generating chlorine
- SmartSense Cover Detection*¹, reduces chlorine output when automatic pool cover is closed
- Choose from two model sizes based on pool capacity in gallons
- Indoor/Outdoor, vertical/horizontal installation
- 115/230V 50/60Hz Power Center

TRADEGRADE



The chemistry behind the iChlor Salt Chlorine Generator makes it so simple to use—just add salt to generate all the chlorine your pool needs. Our smart technology provides built-in intelligence for unmatched convenience and control.



iChlor Salt Chlorine Generator Cell

CALIFORNIA PROPOSITION 65 WARNING
 ⚠️ **WARNING:** Cancer and Reproductive Harm.
 ⚠️ **AVERTISSEMENT:** Peut Causer le Cancer et des Dommages au Système Reproducteur.
 ⚠️ **ADVERTENCIA:** Cáncer y Daño Reproductivo.
www.p65warnings.ca.gov PR 2015A

Product	Description	Chlorine Per 24 Hours	Carton Qty.	Carton Wt. (Lbs.)
iCHLOR SALT CHLORINE GENERATOR FOR UNITED STATES				
523009	iChlor 30 Cell Only-Retail	1.0 Lbs	1	6
523010	iChlor 15 Cell Only-Retail	0.6 Lbs	1	6
523080	iChlor 15 PWR PCK 110-Bundle	0.6 Lbs	2	11
523081	iChlor 30 PWR CTR Bundle	1.0 Lbs	2	20
iCHLOR SALT CHLORINE GENERATOR FOR CANADA				
523108	iChlor 30 Cell Only-Canada	1.0 Lbs	1	6
523109	iChlor 15 PWR PCK Bundle-Canada	0.6 Lbs	2	11
iCHLOR SALT CHLORINE GENERATOR ACCESSORIES				
523100	Kit-Flow Switch-iChlor Replacement		1	1
523101	Kit-iChlor Adaptor (makes iChlor a direct drop in for IntelliChlor)		1	2
523102	Kit-iChlor Spacer (replaces cell allowing hydraulic system to run)		1	2
523103	Kit-Acid Wash - Stand		1	2
523104	Kit-iChlor 180 Degree Face Label		1	.25
iCHLOR SALT CHLORINE GENERATOR COVER KIT				
523216	Kit- PCBA Upgrade - PC100 - Cover Kit		1	1
ACCESSORIES				
522680Z	iChlor Clear Lid Replacement		1	1

*Only available on iChlor 30 (1.0) models

¹Requires separately purchased iChlor Cover Kit. Please refer to your pool cover manufacturer for additional instructions.

INTELLICHLOR®

SALT CHLORINE GENERATOR



IntelliChlor Salt Chlorine
Generator Cell



IntelliChlor Salt Chlorinator uses common table salt to produce all the chlorine a pool needs, safely, effectively, and automatically. Same sanitation performance as manual chlorine addition without the drawbacks. No need for customers to buy, transport and store chlorine compounds.

IntelliChlor Salt Chlorine Generator Power Center
is designated **TRADEGRADE**

Featured Highlights

- Full diagnostic capabilities, including cell life tracking that communicates remaining hours of cell life in real-time. Captures all performance data daily (production settings, hours of operation, chlorine output, cell cleaning cycles, salt readings, and water temperature averages).
- Automatic shut-off feature protects the unit and prolongs cell life under low water temperature conditions
- On-time cycling helps minimize calcium and scale build-up to maximize cell life
- Ability to communicate with all Pentair Automation systems
- 110 VAC or 220 VAC wiring (110 VAC only for IC15)
- Include 2 in. unions (IC15 unions adapt to 1 ½ in.)
- UL Listed
- Certified to NSF/ANSI 50
- Health Canada approved

CALIFORNIA PROPOSITION 65 WARNING

⚠ **WARNING:** Cancer and Reproductive Harm.
 ⚠ **AVERTISSEMENT:** Peut Causer le Cancer
 et des Dommages au Système Reproducteur.
 ⚠ **ADVERTENCIA:** Cáncer y Daño Reproductivo.
www.p65warnings.ca.gov PR2017A

Ordering Information

Product	Description	Carton Qty.	Carton Wt. (Lbs.)
INTELLICHLOR SALT CHLORINE GENERATOR FOR UNITED STATES			
520888	IntelliChlor IC15 Cell for Smaller Pools (US Version) - includes External Power Supply		
521171	IntelliChlor Replacement External Power Supply for IC15		
520554	IntelliChlor IC20 Cell (US Version)	1	7
520555	IntelliChlor IC40 Cell (US Version)	1	14
521105	IntelliChlor IC60 Cell (US Version)	1	16
520556	IntelliChlor Power Center (US Version)	1	13
INTELLICHLOR SALT CHLORINE GENERATOR FOR CANADA			
522109	IntelliChlor IC15 (Canadian Version)	1	9
520911	IntelliChlor IC20 Cell (Canadian Version)	1	7
520912	IntelliChlor IC40 Cell (Canadian Version)	1	14
520910	IntelliChlor Power Center (Canadian Version)	1	14
INTELLICHLOR SALT CHLORINE GENERATOR ACCESSORIES			
520588	IntelliChlor pass-through cell for winter or start-up	1	3
520595	IntelliChlor replacement unions (contains 2 O-rings, 2 couplers, 2 nuts)	1	1
523103	Kit Acid Wash - Stand	1	2
520734	15 foot extension power cord	1	1
520736	IntelliChlor Flow Switch replacement kit	1	1
521147	IntelliChlor Orings - Pack of Ten	1	1
521248Z	IntelliChlor Power Center fuse holder replacement w/fuse 10A 250V	1	1
521034Z	IntelliChlor Power Center PC100 surge board replacement	1	1
521377	IntelliChlor canister with controller	1	18
521495	IntelliChlor IC15 Replacement Reducer Unions - 2 in. to 1-1/2 in. (contains 2 O-rings, 2 couplers, 2 nuts)	1	1
521633	IntelliChlor Debris Cross Guard - Pack of 5	1	1
522745	IntelliChlor Power Center automotive style fuse replacement (10A/ 58V Mini-blade)	5	1

COMMERCIAL INTELLICHLOR®

SALT CHLORINE GENERATOR

Featured Highlights

- Each single cell produces up to 2 lbs of chlorine per day
- Color LED status displays
- Performance data captured daily
- Automatic shut-off feature helps protect and prolong cell life
- Pre-mounted multi-power center configuration
- Must be used with an external ORP/pH Controller
- Self-cleaning
- Listed to UL 1563/CSA C22.2 No. 218-1
- Certified to NSF/ANSI 50



Possible Power Center and Manifold Configurations

- Need 30 GPM per cell in manifold to trigger flow switch
- Power Centers are mounted on PVC boards and pre-wired for 220 VAC and ORP Controller

IntelliChlor Salt Chlorine Generator uses common table salt to produce all the chlorine a pool needs, safely, effectively, and automatically. Same sanitation performance as manual chlorine addition without the drawbacks.



Must use an external ORP Controller. We suggest Commercial IntelliChem Systems.

CALIFORNIA PROPOSITION 65 WARNING

▲ **WARNING:** Cancer and Reproductive Harm.
▲ **AVERTISSEMENT:** Peut Causer le Cancer et des Dommages au Système Reproducteur.
▲ **ADVERTENCIA:** Cáncer y Daño Reproductivo.

www.p65warnings.ca.gov. P652011A

Ordering Information

PART NUMBER	DESCRIPTION	NUMBER OF PRIMARY (P) AND SECONDARY (S) IC60 CELLS	NUMBER OF PRIMARY POWER CENTERS (520978)	NUMBER OF SECONDARY POWER CENTERS (520556)	CHLORINE PER 24 HRS (LBS.)	POOL VOLUME (GAL) ¹
520970	COMSYS-2	1P	1	0	2	6,700
520971	COMSYS-4	1P, 1S	1	1	4	13,333
520972	COMSYS-6	1P, 2S	1	2	6	29,000
520973	COMSYS-8	1P, 3S	1	3	8	26,700
520974	COMSYS-10	1P, 4S	1	4	10	33,333
520975	COMSYS-12	1P, 5S	1	5	12	40,000
520976	COMSYS-14	1P, 6S	1	6	14	46,700
520977	COMSYS-16	1P, 7S	1	7	16	53,333

¹ NSF recommendation for commercial pools typically require 3 lbs. of chlorine production per every 10,000 gallons. Please consult your local codes for chlorine production requirements.

Note: COMSYS-System includes: Primary Cell, Secondary Cells, Primary Power Center, Secondary Power Centers, and the manifold.

* Call factory for sizing Commercial IntelliChlor systems for pools larger than 54,000 gallons.

COMMERCIAL INTELLICHLOR SALT CHLORINE GENERATOR FOR UNITED STATES		
521151	IntelliChlor CIC60P Replacement Primary Commercial Cell	1
521005	IntelliChlor CIC60S Replacement Secondary Commercial Cell	1
520978	IntelliChlor IC60P Replacement Primary Power Center	1
520556	IntelliChlor Replacement Secondary Power Center	1
P104-1	IntelliChlor Surge Board with ORP (Commercial)	1

BIOSHIELD® UV DISINFECTION STERILIZER

TRADEGRADE



BioShield UV Disinfection Sterilizer falls under the APSP 11 Standard for Commercial Swimming Pools as a Water Conditioning Device.

NSF Recreational Water
CCS-18325

Featured Highlights

System Features:

- Housing Material: Heavy-Wall UV Resistant High-Density Polymer
- Housing Pressure (Max.): 50 psi / 3.4 bar
- Housing Inlet/Outlet Port Size: 2.5" Union
- UV Lamp(s): Low-Pressure High-Output, T6-style
- Highest-quality, low-pressure high-output UV lamps offer 12,000 hours of continuous operation (80% efficient after 12,000 hours)

BioShield residential UV sterilizers feature Low Pressure High Output (LPHO) lamps that offer approximately twice the UV output of standard Low Pressure (LP) lamps with the same arc length. UV vessels are built of a UV-resistant, high density polymer with a removable end cap to provide easy internal access. Viewing ports allow visual indication of lamp status. Units have 2.5" slip unions and 5 3/4" diameter housings. 10' cable to ballast and 6' cord. 115V and 230V units are available. Models include an in-line, sealed water-tight power supply for wet applications.

Ordering Information

MODEL	INPUT WATTS	UV-C OUTPUT WATTS	UV VESSEL DIMENSIONS	VOLTAGE	AMPS MAX LOAD	30 MJ/CM ² GPM/LPM	40 MJ/CM ² GPM/LPM
HIGH-OUTPUT STERILIZERS							
522635	50	15	30" x 6"	115/230V	1.15/0.57	25/94	17/64
522636	80	27	45" x 6"	115/230V	1.15/0.57	45/170	32/121
522637	120	37	57" x 6"	115/230V	1.15/0.57	62/234	43/162
522638	150	57	71" X 6"	115/230V	1.85	100/378	70/264

WATTS	SEAL KITS	BALLAST	VOLTAGE	4-PIN LAMP CONNECTOR	LAMP	QUARTZ SLEEVE
HIGH-OUTPUT STERILIZER REPLACEMENT PARTS						
50	523383	523032	115/230V	523034	523035	523039
80	523383	523032	115/230V	523034	523036	523040
120	523383	523032	115/230V	523034	523037	523041
150	523383	523033	115/230V	523034	523038	523042

CALIFORNIA PROPOSITION 65 WARNING

⚠ **WARNING:** Cancer and Reproductive Harm.
 ⚠ **AVERTISSEMENT:** Peut Causer le Cancer et des Dommages au Système Reproducteur.
 ⚠ **ADVERTENCIA:** Cáncer y Daño Reproductivo.

www.p65warnings.ca.gov
P/N200174

COMMERCIAL BIOSHIELD® CVP

UV DISINFECTION STERILIZER

Featured Highlights

System Features:

- Enhanced, state-of-the-art electronic ballast, sized precisely to the lamp's power requirement, ensures optimal UV-C output and maximum "useful lamp life"
- Small footprint: vertical operation reduces required horizontal space
- Cost-effective Schedule 80 solvent welded PVC plastic vessels stand up to corrosive Chlorine environments.
- Single-End UV lamp and quartz sleeve access for easy servicing
- Watertight design protects all electrical hardware from water damage
- Quality American-made, low-pressure Amalgam UV lamps offer up to 12,000 hours of continuous operation
- Choice of inlet/outlet port styles
- Included Over-Temp System Shutdown Sensor shuts down the lamp field to avoid damage when water temperature inside the vessel exceeds 120° F
- 6-foot power cord and 20-foot lamp cables



CALIFORNIA PROPOSITION 65 WARNING
 ⚠️ **WARNING:** Cancer and Reproductive Harm.
 ⚠️ **AVERTISSEMENT:** Peut Causer le Cancer et des Dommages au Système Reproducteur.
 ⚠️ **ADVERTENCIA:** Cáncer y Daño Reproductivo.
www.p65warnings.ca.gov

When operating space is restricted, our vertical BioShield UV Systems provide the small footprint you need. These vertical models feature single-end, top-loading quartz sleeve(s) to minimize space required and maximize serviceability. Each model is extremely durable and features a corrosion-resistant remote power supply enclosure and UV vessel. All models are designed to deliver optimum UV performance by utilizing the UV lamp's UV-C output to its maximum potential. BioShield UV Systems are water-tight and designed for indoor/outdoor use. Each model is equipped with a flanged base for easy installation. Unit can also be installed horizontally.

Ordering Information

CVP Model	Lamps/Watts	UV-C Sectrum Output Watts	Max. Flow rate at 90% UVT 40 mJ/cm ² (GPM)	Max. Flow rate at 90% UVT 60 mJ/cm ² (GPM)	Port Size ²	Max. Flow for Port Size	Amps Max. Load @ 120/230 ³	UV Vessel Dimentions ¹ (A x B x C)	Power Enclosure Dimensions (H x W x D)	Max. PSI
522904	1/130	40	49	33	2"	-	2.1/1.0	57" x 6" x 47"	16" x 14" x 8.4"	50
522905	2/130	80	90	60	2"	*64	3.9/2.0	57" x 6" x 47"	16" x 14" x 8.4"	50
522918					3"	-				
522919	3/130	120	125	83	3"	-	5.8/2.9	57" x 6" x 47"	16" x 14" x 8.4"	50
522907	3/130	120	167	111	3"	*144	5.8/2.9	63" x 8" x 47"	16" x 14" x 8.4"	50
522920					4"	-				
522908	4/130	160	227	151	3"	*144	7.5/3.7	63" x 8" x 47"	20.2" x 16.3" x 8.4"	50
522921					4"	-				
522922	5/130	200	272	181	4"	*251	9.4/4.7	63" x 8" x 47"	24.6" x 20.2" x 10.6"	50
522935					6"	-				
522910	6/130	240	365	244	4"	*251	11.2/5.6	68" x 10" x 51"	24.6" x 20.2" x 10.6"	50
522923					6"	-				
522924	7/130	280	430	287	6"	-	13.3/6.5	68" x 10" x 51"	24.6" x 20.2" x 10.6"	50
522912	7/130	280	492	328	6"	-	13.3/6.5	75" x 12" x 51"	24.6" x 20.2" x 10.6"	50
522913	8/130	320	555	369	6"	-	15.0/7.5	75" x 12" x 51"	30.5" x 24.1" x 12.6"	50

¹ Vessel dimension "C" represents clearance requirement for glassware maintenance

² When selecting a port size, be sure the system flow rate with never exceed "Max. Flow for Port Size"

³ When ordering optional 230VAC add "-2" to end of part number

For replacement parts please call Technical Service at 1-800-831-7133.

COMMERCIAL BIOSHIELD® CLP

UV DISINFECTION STERILIZER



Establishing a bio-secure swimming facility begins at the pool design stage. Low-pressure UV systems are a proven solution to harmful water borne pathogen problems and irritating chloramines. Pentair BioShield Commercial UV systems provide instant protection against Cryptosporidium, Giardia and remove chloramines.

Featured Highlights

- Energy efficient Low Pressure UV converts up to 30-40% energy into UV-C light
- Cost effective UV inhibited Schedule 80 PVC vessels stand up to UV degradation and corrosion caused by pool water
- Conserve free-chlorine by as much as 30% compared to Medium Pressure UV systems
- NSF certified with flow rates up to 2,335 GPM
- Quality American-made, low-pressure Amalgam UV lamps offer up to 12,000 hours of continuous operation
- Low temperature lamps conserve energy and negate the need for quartz sleeve wiper systems
- UL 508L Listed
- Single-end UV lamp and quartz sleeve access for easy servicing
- Choice of input / output piping connections
- Enhanced, state of the art electronic ballast, sized precisely to the lamp's power requirement, ensures optimal UV-C output and maximum useful lamp life
- Most effective and efficient UV-spectral power distribution

Micro-Processor Standard Features

- Touch Screen Interface
- Power Enclosure Over-Temp. Safety Shut-Down
- Vessel Over-Temp. safety Shut-Down
- Individual Lamp Status and Re-settable Hour Meter
- Master System Hour Meter
- Output Alarm Relay
- UV Intensity Monitor (1% - 100% Scale)
- Thermoplastic NEMA 12 Enclosure
- External Power Switch
- 20 Foot Lamp Cables
- Enclosure Cooling Fan
- RJ11 Modbus Communication (CLP6 only)



CALIFORNIA PROPOSITION 65 WARNING

⚠ **WARNING:** Cancer and Reproductive Harm.
 ⚠ **AVERTISSEMENT:** Peut Causer le Cancer et des Dommages au Système Reproducteur.
 ⚠ **ADVERTENCIA:** Cáncer y Daño Reproductivo.
www.p65warnings.ca.gov

COMMERCIAL BIOSHIELD® CLP

UV DISINFECTION STERILIZER

SIZING YOUR BIOSHIELD UV SYSTEM

1. Establishing flow rate requirements in GPM is critical to selecting the correct UV system for your application.

2. Know your UVT and dose requirement. UVT is the measure of UV-C light transmittance (254nm) in water. Contaminates and waterborne agents suspended in water will absorb UV light, preventing transmittance. Pentair has selected 90% UVT as a realistic measure of light transmittance in swimming pool water. Other manufacturers may use a higher UVT% which can greatly overrate flow capacity.

Dose is a factor of UV light intensity and contact time. Pentair calculates two average dose levels for pool applications as follows:

UV Dose	Commercial Application
40 mJ/cm ²	Inactivation of Cryptosporidium and other chlorine tolerant pathogens
60 mJ/cm ²	Additional breakdown of chloramines for greatly improved air and water quality.

3. Choose your BioShield UV system model. Select desired dose column below. Identify maximum flow rate that meets system flow rate requirement. Complete this step for model CLP4 or CLP6 and with provided vessel and power enclosure dimensions, choose the best model suited for the mechanical space. *Note max flow rate for desired port size on each model.

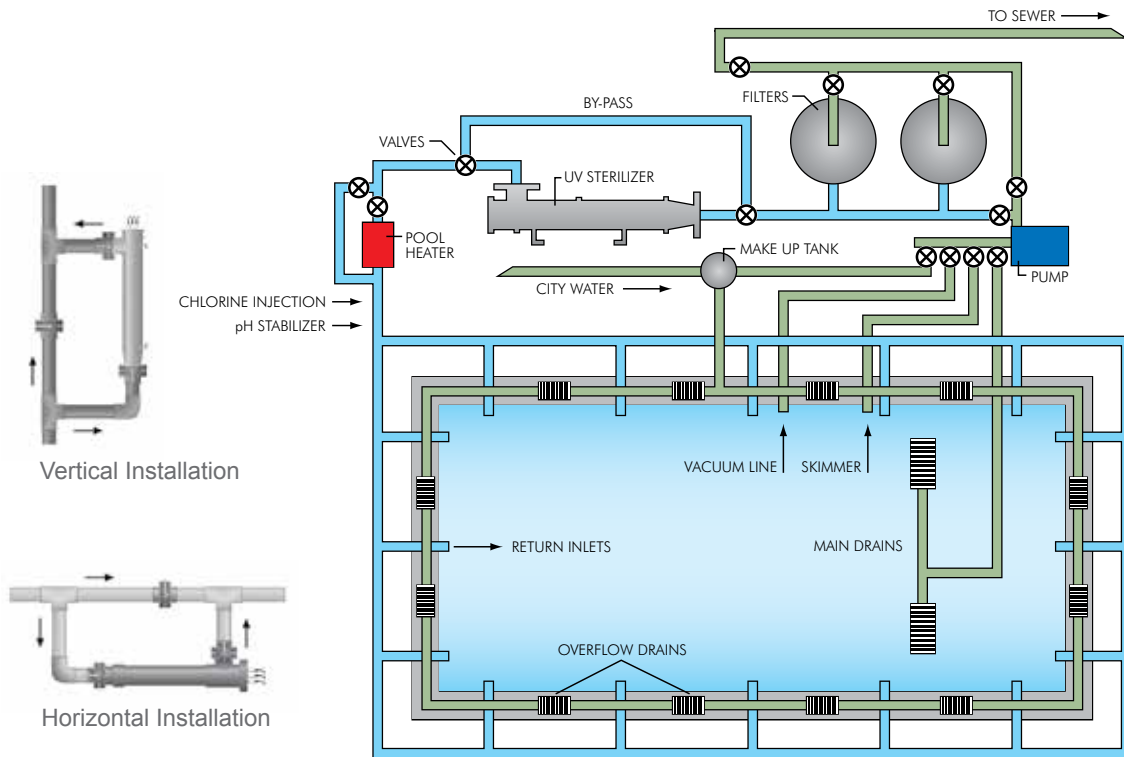
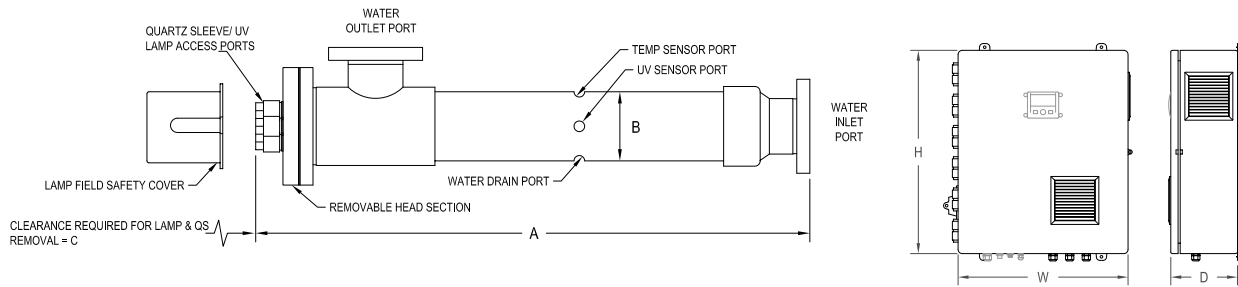
Model ²	Lamps/Watts	UV-C Spectrum Output Watts	Max. Flow Rate at 90% UVT 40 mJ/cm ² (GPM)	Max. Flow Rate at 90% UVT 60 mJ/cm ² (GPM)	Port Size	Max. Flow for Port Size	Amps Max Load @ 120/230 VAC	UV Vessel Dimensions ³ (A x B x C)	Power Enclosure Dimensions (H x W x D)	Max. PSI
CLP4										
CLP41A6-XN	1/130	40	49	33	2"	-	2.1/1.0	56" x Ø6" x 47"	16" x 14" x 8.4"	100
CLP42A6-XN	2/130	80	90	60	2"	*64	3.9/2.0	56" x Ø6" x 47"	16" x 14" x 8.4"	100
					3"	-				
CLP43A6-XN	3/130	120	125	83	3"	-	5.8/2.9	56" x Ø6" x 47"	16" x 14" x 8.4"	100
CLP43A8-XN	3/130	120	167	111	3"	*144	5.8/2.9	62" x Ø8" x 51"	16" x 14" x 8.4"	100
					4"	-				
CLP44A8-XN	4/130	160	227	151	3"	*144	7.5/3.7	62" x Ø8" x 51"	20.2" x 16.3" x 8.4"	100
					4"	-				
CLP45A8-XN	5/130	200	272	181	4"	*251	9.4/4.7	62" x Ø8" x 51"	24.6" x 20.2" x 10.6"	100
					6"	-				
CLP46A10-XN	6/130	240	365	244	4"	*251	11.2/5.6	64" x Ø10" x 51"	24.6" x 20.2" x 10.6"	100
					6"	-				
CLP47A10-XN	7/130	280	430	287	6"	-	13.3/6.5	64" x Ø10" x 51"	24.6" x 20.2" x 10.6"	100
CLP47A12-XN	7/130	280	492	328	6"	-	13.3/6.5	69" x Ø12" x 51"	24.6" x 20.2" x 10.6"	75
CLP48A12-XN	8/130	320	555	369	6"	-	15.0/7.5	69" x Ø12" x 51"	30.5" x 24.1" x 12.6"	75
CLP6 (Only Available in 230VAC)										
CLP61A6-XN	1/320	98	113	75	2"	*64	1.6 ¹	85" x Ø6" x 76"	24.6" x 20.2" x 10.6"	100
					3"	-				
CLP62A6-XN	2/320	196	200	133	3"	*144	3.0 ¹	85" x Ø6" x 76"	24.6" x 20.2" x 10.6"	100
					4"	-				
CLP63A6-XN	3/320	294	279	186	4"	*251	4.5 ¹	85" x Ø6" x 76"	24.6" x 20.2" x 10.6"	100
					4"	-				
CLP63A8-XN	3/320	294	372	247	4"	*251	4.5 ¹	86" x Ø8" x 76"	24.6" x 20.2" x 10.6"	100
					6"	-				
CLP64A8-XN	4/320	392	505	336	6"	-	6.0 ¹	86" x Ø8" x 76"	24.6" x 20.2" x 10.6"	100
CLP65A8-XN	5/320	490	606	403	6"	*569	7.5 ¹	86" x Ø8" x 76"	24.6" x 20.2" x 10.6"	100
					6"	-				
CLP66A10-XN	6/320	588	814	542	6"	*569	9.0 ¹	88" x Ø10" x 76"	30.5" x 24.1" x 12.6"	100
					8"	-				
CLP67A10-XN	7/320	686	953	638	6"	*569	11.0 ¹	88" x Ø10" x 76"	30.5" x 24.1" x 12.6"	100
					8"	-				
CLP67A12-XN	7/320	686	1095	729	8"	*996	11.0 ¹	90" x Ø12" x 76"	30.5" x 24.1" x 12.6"	75
					10"	-				
CLP68A12-XN	8/320	784	1235	823	8"	*996	13.0 ¹	90" x Ø12" x 76"	30.5" x 24.1" x 12.6"	75
					10"	-				
CLP69A14-XN	9/320	882	1462	974	8"	*996	14.0 ¹	92" x Ø14" x 76"	30.5" x 24.1" x 12.6"	50
					10"	-				
CLP610A16-XN	10/320	980	1690	1127	10"	*1567	16.0 ¹	94" x Ø16" x 76"	30.5" x 24.1" x 12.6"	50
					12"	-				
CLP611A18-XN	11/320	1,078	1963	1308	10"	*1567	17.0 ¹	96" x Ø18" x 76"	40.4" x 32.5" x 12.6"	50
					12"	-				
CLP612A20-XN	12/320	1,176	2335	1555	10"	*1567	19.0 ¹	98" x Ø20" x 76"	40.4" x 32.5" x 12.6"	50
					12"	*2218				
					14"	-				

¹ 230VAC Only. When ordering optional 230VAC add "-2" to end of part number.

² When ordering: Replace 'X' in part number with requested flange size; eg. '2' for two-inch flange.

³ Vessel dimension "C" represents clearance requirement for glassware maintenance.

COMMERCIAL BIOSHIELD® UV DISINFECTION STERILIZER



Vertical Installation

Horizontal Installation

BioShield UV Sterilizer Installation:

1. Position the BioShield UV Sterilizer after the pool filters so it receives solids-free water. This will ensure optimum Bio-Security against Recreation Water Illnesses such as Cryptosporidium, Giardia and E.Coli, while protecting the quartz sleeves and lamps from potential damage.
2. The NSF-50 certified BioShield UV Sterilizer vessel is equipped with various sensor ports (UV intensity and Water Over-Temperature Protection Sensors). All sensor ports are clearly labeled on the vessel based on their respective function. Additionally, the vessel is equipped with a 1/2" threaded drain port for installation of the Drain Valve Assembly.
3. For horizontal or vertical piping installation, it is recommended to install a piping bypass manifold (as shown) which will allow for BioShield UV Sterilizer removal from the filter-loop without disrupting water flow or filter operation. Isolation Valves are necessary for vessel removal and chemical cleaning procedure.
4. Always install BioShield UV Sterilizer's with the outlet port facing upward, allowing trapped air to escape. Trapped air can result in rupture or heat damage to the vessel.
5. Provide enough space around the electrical end of the BioShield UV Sterilizer to allow for easy removal of the UV lamp and quartz sleeves. A 46" clearance for CLP4 models and 76" clearance for CLP6 models is required.
6. Do not install or operate any UV system without thoroughly reading the operators manual.

PENTAIR AUTOMATIC CHLORINE/BROMINE FEEDERS

Featured Highlights

- 300 and 320 series feeders available in clear amber for easy tablet level monitoring
- Completely enclosed system – no special venting required
- No escaping gases
- 50 PSI maximum operating pressure

In-Line Feeders

- **320 Series.** For permanent installation in return line of new or existing pools or spas. Installs in return line on pressure side of pump downstream of all equipment. Standard with 2 in. slip PVC fittings and adapters for 1-1/2 in.

Off-Line Feeders

- **300 Series.** Retrofits into existing pools or spas. Operates on pressure side of pump. Uses 1/4 in. feeder hoses, control valve and fittings.



Pentair Chlorine and Bromine Feeders

Years of customer use and satisfaction have proven Pentair feeders to be the performance leader in pool & spa chemical dispensers.

Output rating for Bromine is not NSF 50 Certified.

CALIFORNIA PROPOSITION 65 WARNING

⚠ **WARNING:** Cancer and Reproductive Harm.
 ⚠ **AVERTISSEMENT:** Peut Causer le Cancer et des Dommages au Système Reproducteur.
 ⚠ **ADVERTENCIA:** Cáncer y Daño Reproductivo.
www.p65warnings.ca.gov

Ordering Information

Product	Model	Description	Carton Qty.	Carton Wt. (Lbs.)
IN-LINE FEEDERS				
R171096 ¹	320	Holds 11 large or 98 small Bromine or slow dissolving Trichlor tablets. Treats 6,500 to 27,000 gallons bottom feed and 18,000 to 70,000 gallons top feed.	1	30
R171218 ¹	320C	Holds 11 large or 98 small Bromine or slow dissolving Trichlor tablets. Treats 6,500 to 27,000 gallons in a bottom feed configuration and 18,000 to 70,000 gallons in a top feed configuration with see-through amber body.	1	30
OFF-LINE FEEDERS				
R171016 ¹	300	Holds 11 large or 98 small tablets. Treats 12,000 to 48,000 gallons.	1	26
R171022 ¹	300C	Holds 11 large or 98 small tablets. Treats 12,000 to 48,000 gallons with see-through amber body.	1	26
R171026	302	Spa feeder. Includes spa chamber. Treats 500 to 2,000 gallons. Holds 15 small tablets.	1	28
R171056 ¹	300-19	Spa feeder includes double-capacity 19 in. chamber. Treats 13,000 to 52,000 gallons.	1	5
R171066 ¹	300-29	Spa feeder includes triple-capacity 29 in. chamber. Treats 14,000 to 57,000 gallons.	1	6
COMMERCIAL AND HIGH CAPACITY FEEDERS				
R171070 ¹	300-29X	Heavy duty 1/2 in. control valve and tubing optimizes flow and erosion to provide larger amounts of sanitizer. Dispenses 8.5 lbs. of 1 in. Trichlor Tablets in 24 hours. Holds 29 large or 237 small tablets. Treats 80,000 to 322,000 gallons.	1	8
R171215 ¹	HC-3315	High capacity for 1 in. hard plumbing installations. Holds 15 lbs. of tablets. Treats up to 20,200 gallons with Bromine and up to 97,600 gallons with Trichlor.	1	9
R171230 ¹	HC-3330	High capacity for 1 in. hard plumbing installations. Holds 30 lbs. of tablets. Treats up to 40,000 gallons with Bromine and up to 160,000 gallons with Trichlor.	1	12
R171240 ¹	HC-3340	High capacity for 1 in. hard plumbing installations. Holds 40 lbs. of tablets. Treats up to 61,000 gallons with Bromine and up to 332,000 gallons with Trichlor.	1	14

Note: Pentair Automatic Chlorine/Bromine feeders are for use with slow dissolving trichlor or bromine tablets only.

¹ NSF 50 Certified for public or residential use in Swimming Pools, Spas or Hot Tubs using 1" Trichlor tablets and when used with a flow indicating device such as Model # R172080. Output rating for Bromine is not NSF 50 Certified.

AUTOMATIC FEEDER ACCESSORIES



In-line Check Valves & Flow Indicators

Standard In-line Check Valves/By-pass Valves

Use where harsh chemical environment is not expected.

Silicone Lubricant

Excellent for use on rubber seals, gaskets, and o-rings in contact with plastics and metals where binding and corrosion occur.

Extensions

Optional extensions will increase tablet capacity to your 300 or 320 Series Chemical Feeder.

Corrosion Resistant In-line Check Valves

Corrosion resistant spring actuated check valves for use with feeders to check the backflow of chemical preventing corrosion problems and damage. Can be mounted in any position.

CALIFORNIA PROPOSITION 65 WARNING

⚠ **WARNING:** Cancer and Reproductive Harm.
 ⚠ **AVERTISSEMENT:** Peut Causer le Cancer et des Dommages au Système Reproducteur.
 ⚠ **ADVERTENCIA:** Cáncer y Daño Reproductivo.
www.p65warnings.ca.gov

Ordering Information

Product	Description	Carton Qty.	Carton Wt. (Lbs.)
EXTENSIONS			
R172087	10 in. Extension doubles capacity	Bulk	
R172283	20 in. Extension triples capacity	Bulk	
FLOW INDICATING DEVICES			
R172080	Flow Indicating Device. Clear polycarbonate with indicating ball. Flow rate of 0 to 1 gpm. Designed for 1/4 in. inline pipe thread. Includes check valve.	Bulk	
R172082	Flow Rate Indicator. For high rate feeders with 1 in. feed lines.	Bulk	
R172276	Commercial Flow Indicator for use with 320, 322, 300-29X or feeders with 1/2 in. feed lines.	Bulk	
R172627	Corrosion Resistant Flow Indicator Kit. For new installations of 300-29X. Includes flow indicator. Saddle clamp, fittings and 1/2 in. corrosion resistant check valve.	Bulk	
CORROSION RESISTANT IN-LINE CHECK VALVES			
R172288	Check Valve 1-1/2 in. or 2 in. Slip, 2 lb. spring	Bulk	
R172323	Check Valve 1/4 in. tube x tube	Bulk	
R172324	Check Valve 1/2 in. tube x tube	Bulk	
R172324NS	Special check valve for outward flow on 300-29X below water installations. 1/2 in. tube x tube check valve (ball)	Bulk	
STANDARD IN-LINE CHECK VALVES/BY-PASS VALVES			
R172305	By-pass Valve (1-1/2 in. or 2 in.) 12 lb. spring, slip fittings	Bulk	
R172316	Check Valve (1-1/2 in. or 2 in.) 1/2 in. spring, slip fittings. Great for blowers.	Bulk	

Product	Description	Carton Qty.	Carton Wt. (Lbs.)
FEEDER KITS			
200013	300 & 320 Replacement Kit. Includes: saddle clamp, saddle gasket, and saddle tube fitting. Bubble pack	12	5
200014	300-29X Replacement Kit. Includes: saddle clamp, saddle gasket, and saddle tube fitting. Bubble pack.	12	5
SILICONE LUBRICANT			
R172036Z	3/4 ounce	Bulk	
R172351	3/4 ounce, in counter display	30	3
TUBING AND MISCELLANEOUS PARTS			
200017	Compression nut for 300 Series. Bubble pack.	12	3
R171099	Hi-Flo Kit for 320 and 322. Allows greater dispensing rate. Includes 6 ft. of 1/2 in. i.d. tubing, 1/2 in. check valve and all fittings.	Bulk	
R172037	Spa Chamber for 300, 302, 320	Bulk	
R172093	5/8 in. o.d. x 1/2 in. i.d. Sold in roll.	100 ft. Roll	
R172258	Spa Chamber for 322	Bulk	
R172367	Winterizing or Isolation Plug. Attaches to control valve of 300, 302, 300-19 or 300-29	Bulk	
R18754	3/8 in. o.d. x 1/4 in. i.d. Sold in roll.	100 ft. Roll	



Feeder Extensions



Silicone Lubricant

See page 566 for replacement parts

PENTAIR AUTOMATIC CHLORINE/BROMINE SIZING CHART

Model	Chamber Capacity				Maximum Erosion in 24 Hours ¹	Treats Pool/Spa Size			H	W	D	Service Clearance for Lid Removal
	1 in. Tablet		3 in. Tablet			@ 10 ppm	@ 5 ppm	@ 2-1/2 ppm				
	Qty.	Wt.	Qty.	Wt.								
AUTOMATIC CHLORINE/BROMINE SIZING CHART												
#300 ^{1,2}	98	3.5 lbs.	11	4.8 lbs.	1.19 lbs.	11,900	23,800	47,600	21 in.	7 in.	12 in.	22-1/4 in.
#302 with spa chamber ^{1,2}	15	0.5 lbs.	—	—	0.5 lbs.	500	1,000	2,000	21 in.	7 in.	12 in.	22-1/4 in.
#300-19 ^{1,2}	153	5.5 lbs.	20	8.8 lbs.	1.30 lbs.	13,000	26,000	52,000	28-1/2 in.	7 in.	12 in.	29-3/4 in.
#300-29 ^{1,2}	237	9.8 lbs.	29	12.7 lbs.	1.41 lbs.	14,100	28,200	56,400	38-1/2 in.	7 in.	12 in.	39-3/4 in.
#300-29X ^{1,2} commercial model	237	9.8 lbs.	29	12.7 lbs.	8.05 lbs.	80,500	161,000	322,000	38-1/2 in.	7 in.	12 in.	39-3/4 in.
#320 bottom feed ^{1,2}	98	3.5 lbs.	11	4.8 lbs.	0.67 lbs.	6,700	13,400	26,800	17-3/4 in.	5 in.	10 in.	19 in.
#320 top feed ^{1,2}	98	3.5 lbs.	11	4.8 lbs.	1.75 lbs.	17,500	35,000	70,000	17-3/4 in.	5 in.	10 in.	19 in.

WITH 10 in. FEEDER EXTENSION ON #300 – REFER TO #300-19, max. height 11 in.6 PPM-COMMERCIAL POOLS & SPAS

WITH 20 in. FEEDER EXTENSION ON #300 – REFER TO #300-29, max. height 21 in.3 PPM-RESIDENTIAL POOL & SPAS

¹ Based on use of 1 in. Trichlor in 24 hours. Use of 3 in. tablets or sticks or bromine tablets will lower results. For 8 hour turnover divide by 3.

² NSF 50 Certified for public or residential use in Swimming Pools, Spas or Hot Tubs using 1" Trichlor tablets and when used with a flow indicating device such as Model # R172080.

Note: This chart is only a suggested guide. Consult your local authority to determine their guidelines if needed. Results may vary due to pool/spa equipment and many other factors.

Output rating for Bromine is not NSF 50 Certified.

CALIFORNIA PROPOSITION 65 WARNING

⚠ **WARNING:** Cancer and Reproductive Harm.
⚠ **AVERTISSEMENT:** Peut Causer le Cancer et des Dommages au Système Reproducteur.
⚠ **ADVERTENCIA:** Cáncer y Daño Reproductivo.
www.p65warnings.ca.gov

PENTAIR HIGH CAPACITY CHLORINE/BROMINE SIZING CHART

Model	Capacity	Maximum Erosion In 24 Hours		Treats Pool/Spa Size In Gallons Per 24 Hours		H	W	D	Service Clearance
		Chlorine	Bromine	Chlorine (10 ppm)	Bromine (10 ppm)				
HC3315	15 lbs.	29.28 lbs.	13.68 lbs.	97,600	20,200	21-1/2 in.	8 in.	15 in.	22 3/4 in.
HC3330	30 lbs.	48.00 lbs.	27.60 lbs.	160,000	40,900	39-1/8 in.	8 in.	15 in.	40-3/8 in.
HC3340	40 lbs.	99.60 lbs.	41.52 lbs.	332,000	61,500	49 3/4 in.	8 in.	15 in.	51 in.

Note: NSF 50 Certified for public or residential use in Swimming Pools, Spas or Hot Tubs using 1" Trichlor tablets and when used with a flow indicating device such as Model # R172080.

CALIFORNIA PROPOSITION 65 WARNING

⚠ **WARNING:** Cancer and Reproductive Harm.
⚠ **AVERTISSEMENT:** Peut Causer le Cancer et des Dommages au Système Reproducteur.
⚠ **ADVERTENCIA:** Cáncer y Daño Reproductivo.
www.p65warnings.ca.gov



 **PENTAIR**

VALVES

DIVERTER AND CHECK VALVES – 1-1/2 IN. AND 2 IN.

2-WAY, 3-WAY AND CHECK

263027



263026



263042



Featured Highlights

- All valves available in CPVC or PVC
- Maintenance-free PTFE coated diverter seal
- Optimum positive-seal
- High Flow Rate
- Fiberglass reinforced handle
- Withstands pressure up to 150 psi
- Chemical-resistant
- Used for diverting, shut-off or mixing applications
- Accepts 1-1/2 in., 2 in., and 2-1/2 in. PVC plumbing
- Field-adjustable stop positions
- Plumbed with inlet at any port
- Designed to work with most industry standard actuators

CALIFORNIA PROPOSITION 65 WARNING

⚠ **WARNING:** Cancer and Reproductive Harm.
 ⚠ **AVERTISSEMENT:** Peut Causer le Cancer et des Dommages au Système Reproducteur.
 ⚠ **ADVERTENCIA:** Cáncer y Daño Reproductivo.
www.p65warnings.ca.gov

Ordering Information

Product	Description	Carton Qty.	Carton Wt. (Lbs.)
2-WAY AND 3-WAY DIVERTER VALVES			
263026	3-Way CPVC 2 in. (2-1/2 in. slip outside)	1	2
263027	2-Way CPVC 2 in. (2-1/2 in. slip outside)	1	2
263028	3-Way PVC 2 in. (2-1/2 in. slip outside)	1	2
263029	2-Way PVC 2 in. (2-1/2 in. slip outside)	1	2
263035	3-Way CPVC 1-1/2 in. (2 in. slip outside)	1	2
263036	2-Way CPVC 1-1/2 in. (2 in. slip outside)	1	2
263037	3-Way PVC 1-1/2 in. (2 in. slip outside)	1	2
263038	2-Way PVC 1-1/2 in. (2 in. slip outside)	1	2
263047	3-Way Solar Valve w/ drain-down, CPVC 2 in. (2-1/2 in. slip outside)	1	2
CHECK VALVES			
263042	Check Valve CPVC 2 in. (straight 2-1/2 in. slip outside)	1	2
263042Z	Check Valve Rebuild Kit		



263027



263029



263026



263028

PVC Valves not recommended for climates that can reach air temperatures of over 104°F.

See page 568 for replacement parts.

FULLFLOXF[®] DIVERTER & CHECK VALVES 2-1/2 IN. & 3 IN.

2-WAY, 3-WAY AND CHECK

Featured Highlights

- Valves available in CPVC for maximum heat resistance
- Maintenance-free PTFE coated diverter seal
- Optimum positive-seal
- Maximum Flow Rate, low head loss
- Chemical-resistant
- Used for diverting, shut-off or mixing applications
- Accepts 2-1/2 in. and 3 in. PVC plumbing
- Field-adjustable stop positions
- Plumbed with inlet at any port
- Designed to work with most industry standard actuators

CALIFORNIA PROPOSITION 65 WARNING

⚠ **WARNING:** Cancer and Reproductive Harm.
 ⚠ **AVERTISSEMENT:** Peut Causer le Cancer et des Dommages au Système Reproducteur.
 ⚠ **ADVERTENCIA:** Cáncer y Daño Reproductivo.
www.p65warnings.ca.gov



Ordering Information

Product	Description	Carton Qty	Carton Wt (Lbs)
2-WAY AND 3-WAY DIVERTER VALVES			
263056	3-Way CPVC 2.5 in. (3 in. slip outside)	1	4
263057	3-Way Solar Valve w/ drain-down, CPVC 2.5 in. (3 in. slip outside)	1	4
263059	2-Way CPVC 2.5 in. (3 in. slip outside)	1	4
263068	90 degree 2-way CPVC 2.5 in. (3 in. slip outside)	1	4
2-WAY AND 90 DEGREE CHECK VALVES			
263060	Check Valve CPVC 2.5 in. (3 in. slip outside)	1	4
263077	90 degree Check Valve CPVC 2.5 in. (3 in. slip outside)	1	3
270119Z	Check Valve Rebuild Kit		

PRE-PLUMBED VALVES

BACKWASH VALVES FOR 1-1/2 & 2 IN. D.E. AND SAND FILTERS

Side mounted HiFlow™ and Multiport Valves are designed for maximum performance and working pressures. Available in 1-1/2 and 2 in. threaded or slip models.

CALIFORNIA PROPOSITION 65 WARNING
 ⚠️ **WARNING:** Cancer and Reproductive Harm.
 ⚠️ **AVERTISSEMENT:** Peut Causer le Cancer et des Dommages au Système Reproducteur.
 ⚠️ **ADVERTENCIA:** Cáncer y Daño Reproductivo.
www.p65warnings.ca.gov PA 201514

Featured Highlights

- PVC body
- The right valve for easy operation
- Six-position, positive-lock operation
- Special winterizing position

Ordering Information

Product	Description	Carton Qty.	Carton Wt. (Lbs.)
MULTIPOINT VALVE KIT FOR FILTERS, SLIP			
261055	2 in. MPV, for Triton & Quad D.E. filters [SM 20-3] 7-1/2 in. Centerline	1	10
261152	2 in. MPV, for FNS, FNS Plus & NSP filters [SM 20-2] 7-1/2 in. Centerline	1	10
261173	1-1/2 in. MPV, for Triton & Quad D.E. filters [SM 10-3] 7-1/2 in. Centerline	1	6
261177	1-1/2 in. MPV, for FNS, FNS Plus & NSP filters [SM 10-2] 7-1/2 in. Centerline	1	7
HIFLOW VALVE KIT FOR FILTERS, SLIP			
261050	2 in., w/ bulkhead fittings, for Triton & Quad D.E. filters, 7-1/2 in. Centerline	1	11
261142	2 in., w/ bulkhead fittings, for FNS, FNS Plus & NSP filters, 7-1/2 in. Centerline	1	11
PVC SLIDE VALVE, SLIP			
263064	Push Pull Valve, 7-1/2 in. Center, PVC, Almond	1	4.5
263079	2 in. w/o bulkhead fittings for D.E. and sand filters, 7-1/2 in. Centerline	1	3
FULLFLOXF BACKWASH VALVES			
262507	Sta-Rite version for System 3 Mod D.E., inlet on top, with Sta-Rite offset adapters glued on	1	11
262508	Sta-Rite version for System 3 D.E. and Sand, inlet on bottom, with Sta-Rite offset adapters glued on	1	10
262509	Valve with filter inlet port on top, no fittings, only valve	1	10
262511	Valve with filter inlet port on bottom, no fittings, only valve	1	10
263080	Valve for Sand and Quad D.E., inlet port on top, Pentair 2 in. unions glued on	1	12
263081	Valve for D.E., inlet port on bottom, Pentair 2 in. unions glued on	1	12



HiFlow Valve Kit
261050



PVC Slide Valve
Kit
263064



Multiport Valve Kit
261055



eco select™ FullFloXF®
Backwash
Valve Kit
263080

HIFLOW™ VALVE

BACKWASH VALVE FOR SIDE MOUNTED SAND & D.E. FILTERS

Featured Highlights

- PVC body
- Large, one-piece handle for trouble-free operation
- Six-position, positive-lock operation
- Noryl heavy-duty diverter
- 2 in. ports for unrestricted flow
- Specific Valves for D.E. and sand applications
- Special winterizing position

The side mounted HiFlow valve is designed for maximum performance and working pressures. Available in 2 in. slip models.



HiFlow Valve 261049

CALIFORNIA PROPOSITION 65 WARNING

⚠ **WARNING:** Cancer and Reproductive Harm.
 ⚠ **AVERTISSEMENT:** Peut Causer le Cancer et des Dommages au Système Reproducteur.
 ⚠ **ADVERTENCIA:** Cáncer y Daño Reproductivo.
www.p65warnings.ca.gov

Ordering Information

Product	Description	Carton Qty.	Carton Wt. (Lbs.)
HIFLOW VALVE			
261049	2 in. HiFlow Valve, no plumbing	1	10

TA TAGELUS® FILTER VALVES

1-1/2 AND 2 IN. BACKWASH VALVES FOR TOP MOUNT SAND FILTER



262525

Featured Highlights

- ABS body
- Large, one-piece handle for trouble-free operation
- Six-position, positive-lock operation
- Heavy-duty diverter
- Special winterizing position

The top mounted HiFlow™ and Multiport Valves are designed for maximum sand filter backwash performance and precise water flow. Available in 1-1/2 and 2 in. threaded.

CALIFORNIA PROPOSITION 65 WARNING

⚠️ **WARNING:** Cancer and Reproductive Harm.
 ⚠️ **AVERTISSEMENT:** Peut Causer le Cancer et des Dommages au Système Reproducteur.
 ⚠️ **ADVERTENCIA:** Cáncer y Daño Reproductivo.
www.p65warnings.ca.gov PK20171A

Ordering Information

Product	Description	Carton Qty.	Carton Wt. (Lbs.)
TOP MOUNT MULTIPORT VALVES			
261124	1-1/2 in. TA Valve, "V" thread (TM 12-A), 6 in. Neck Size ¹	1	5
262504	1-1/2 in. TA Valve, Buttruss thread (TM 12-B), 6 in. Neck Size ²	1	6
262505	1-1/2 in. TA to TA D Conversion Kit w/ valve, , 6 in. Neck Size ¹	1	6
261185	2 in. TA D (TA 100D only), clamp, 8 in. Neck Size	1	8
262506	1-1/2 in. TA D (TA 30/40/50/60D), clamp, 6 in. Neck Size ¹	1	6
263085	2 in. (TA60, SD80, CFII26), clamp, 6 in. Neck Size without unions	1	8
262525	2 in. (TA60, SD80, CFII26), clamp, 6 in. Neck Size with unions	1	6

¹ For filters manufactured before 12-1-91.

² For filters manufactured after 12-1-91.



262506



262505



261185

SLIDE VALVES

ABS SLIDE VALVES/MULTIPOINT VALVES (SIDE MOUNT)



Featured Highlights

- Six-position dial-type valves offer convenience, ease of use and efficient operation
- Includes connecting pipe to match side ports in sand and D.E. filters
- 2 in. PVC unions for filter-to-valve connection
- Positive seal prevents leakage between ports



18201-0110

Featured Highlights

- Two-position backwash valves have minimal flow restriction
- Innovative handle design allows easier operation; pin locks valve in filter position
- Connects directly to side ports in D.E. or sand filters with 2 in. PVC unions



263053

Ordering Information

Product	Description	Valve Port Size	Carton Wt. (Lbs.)
SLIDE VALVES - UNION CONNECTION DESIGN			
263053	Push Pull Valve, 7.81 in. Center	2 in.	4
SLIDE VALVES - HOSE CONNECTION DESIGN ¹			
263078	Slide Valves, 2 position, Plastic	2 in.	5
MULTIPOINT VALVES - UNION CONNECTION DESIGN			
18201-0300	ABS 6-Position Valve (for System 3 Mod DE)	2 in.	8
18202-0250	ABS 6-Position Valves with piping	1-1/2 in.	6
18202-0150	ABS 6-Position Valves with 1-1/2 in. piping	1-1/2 in.	6
18201-0200	ABS 6-Position Valves with piping	2 in.	10
MULTIPOINT VALVES - UNION CONNECTION DESIGN ¹			
18202-0150H	ABS 6-Position Valves (hoses not included)	1-1/2 in.	6
18201-0200H	ABS 6-Position Valves (hoses not included)	2 in.	9
ACCESSORIES - HOSE CONNECTOR KITS - VALVE TO FILTER			
24750-0624	1-1/2 in. x 2 in. Connector		1

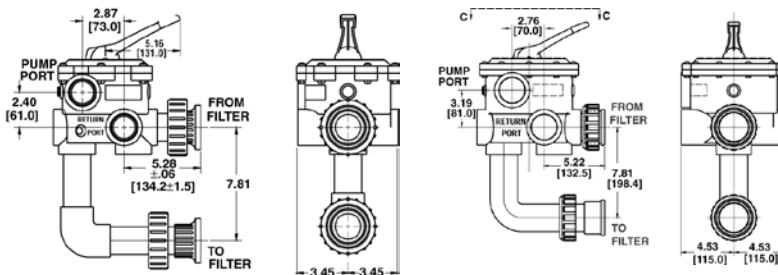
¹ Replacement Valves for Old Design Filters.

CALIFORNIA PROPOSITION 65 WARNING
⚠️ WARNING: Cancer and Reproductive Harm.
⚠️ AVERTISSEMENT: Peut Causer le Cancer et des Dommages au Système Reproducteur.
⚠️ ADVERTENCIA: Cáncer y Daño Reproductivo.
www.p65warnings.ca.gov PK32075A

Dimensions and Performance



Certified to NSF/ANSI Standard 50



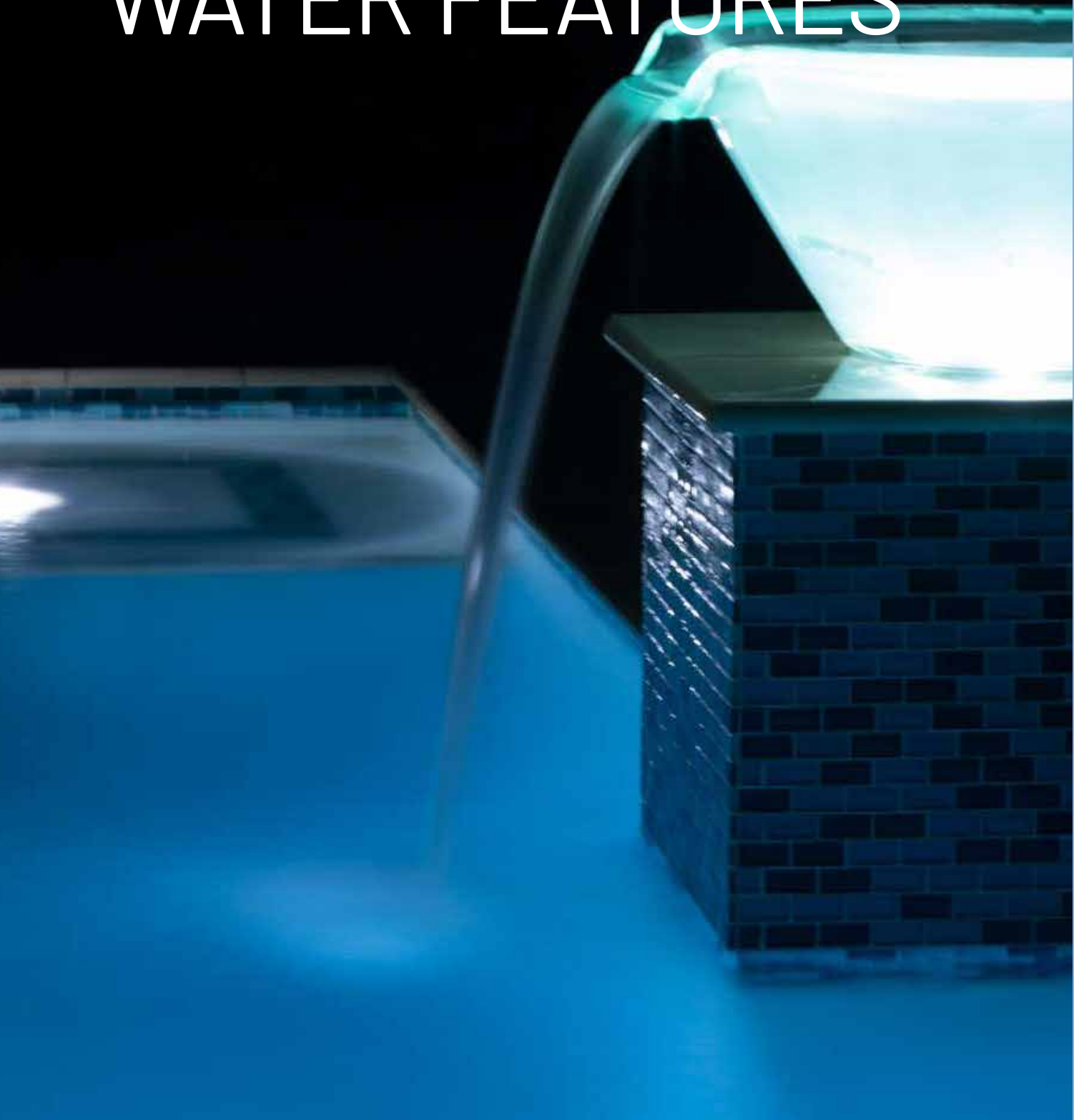
1-1/2 in. Multiport Valve
18201-0110

2 in. Multiport Valve
18201-0300

See page 577 and 581 for replacement parts.



WATER FEATURES



MAGICSTREAM® LAMINAR

Featured Highlights

- Microprocessor-controlled LED light source has the ability to synchronize with the IntelliBrite® 5g LED Pool Lighting for dynamic and synchronized colored light shows
- Provides 5 brilliant fixed colors, 7 dazzling light shows
- Nighttime lighting effects include the ability to hold on a steady color or scroll through a range of available colors.
- Installation is made flush to your deck or other surface; no unsightly or unsafe edges
- Laminar deck lids are available in tan, black, and gray
- The technical principal behind MagicStream Laminars is to remove all turbulence and air bubbles from the water before projecting it through a finely-machined nozzle. The laminar water flow is very non-turbulent, so it keeps its surface tension and flows through the air in a smooth, clean, unbroken stream, instead of spraying apart into droplets.
- Low voltage operation of 12 VAC/16W
- Low flow requirements allow for multiple units per pool
- The perfect complement to IntelliBrite 5g LED Pool Lighting for dynamic and synchronized colored light shows



MagicStream Laminar

TRADEGRADE



MagicStream Laminars with 100% synchronization with IntelliBrite 5g LED color and white lights create clear, uniform arcs of moving water that originate from either a pool deck or surrounding landscape. At night, these translucent streams are brilliantly colored, creating a water effect that adds elegant entertainment to your poolscape. It is fully compatible with the IntelliBrite 5g line of LED pool lights, optional IntelliBrite Controller and the EasyTouch® or IntelliTouch® Automation Systems. Custom program and control light shows using an indoor control panel, wireless remote and the ScreenLogic® Interface using your smart phone, computer or mobile digital device.

Ordering Information

Product	Description	Carton Qty.	Carton Wt.
MAGICSTREAM LAMINARS			
580001B	Laminar LED, Black Lid - 100 ft. cord	1	21
580001G	Laminar LED, Gray Lid - 100 ft. cord	1	21
580001T	Laminar LED, Tan Lid - 100 ft. cord	1	21
580038	Laminar LED, Tan Lid - 150 ft. cord	1	28
580039	Laminar LED, Black Lid - 150 ft. cord	1	28
580040	Laminar LED, Gray Lid - 150 ft. cord	1	28
TRANSFORMERS (LANDSCAPE AND POOL RATED)			
619962	12V-14V 100W	1	12
619963	12V-14V 300W	1	12

CALIFORNIA PROPOSITION 65 WARNING
 ⚠️ **WARNING:** Cancer and Reproductive Harm.
 ⚠️ **AVERTISSEMENT:** Peut Causer le Cancer et des Dommages au Système Reproducteur.
 ⚠️ **ADVERTENCIA:** Cáncer y Daño Reproductivo.
www.p65warnings.ca.gov P65-2015-14

Dimensions and Performance

Laminars Performance Data		
Gallons (US GPM)	6.0	7.5
Inlet Pressure (psi)	2.5	3.5
Height of Jet (Ft.)	5.0	6.0

See page 588 for replacement parts.

MAGICBOWL® WATER EFFECT WITH FIREFX® LED LIGHT

TRADEGRADE



NEW!



Featured Highlights

- Low voltage LED lights and flow requirements make it affordable to own and operate
- Safe and efficient LED lights provide light shows or warm flickering glow
- Sculpted from durable, UV-resistant material
- Now available in tempered, semi-transparent glass construction
- Bowls available in 7 designer colors
- Automation compatible for added convenience and control

Low-voltage LED lights and low-flow requirements allow for multiple fountains, making MagicBowl beautifully affordable. It's also easy to install, which is perfect for new pool construction or remodels. The MagicBowl light feature has two programmable options: one for the alluring fire effect and another for vibrant IntelliBrite® LED 5G Pool and Spa Lights color displays.

NOTE: FireFX LED Lights are not included and are sold separately.

Ordering Information

Product	Description	Carton Qty.	Carton Wt.
MAGICBOWL WATER EFFECT (WITHOUT LED LIGHT ENGINE)			
580064	Round Glass, MagicBowl	1	65
580041	Round Copper, MagicBowl	1	66
580042	Round Bronze, MagicBowl	1	66
580043	Round Pewter, MagicBowl	1	66
580044	Round Brass, MagicBowl	1	66
580046	Round Gray, MagicBowl	1	66
580047	Round Natural, MagicBowl	1	66
580048	Square Copper, MagicBowl	1	93
580049	Square Bronze, MagicBowl	1	93
580050	Square Pewter, MagicBowl	1	93
580051	Square Brass, MagicBowl	1	93
580053	Square Gray, MagicBowl	1	93
580054	Square Natural, MagicBowl	1	63
LED LIGHT ENGINE			
580055	MagicBowl 100' LED Light Engine with mounting niche	1	14
580056	MagicBowl 150' LED Light Engine with mounting niche	1	14

All Pentair UL Listed underwater lights are certified for use in fresh water with up to 6,000 ppm salinity.

Actual finish and colors may vary due to slight differences in material make-up and/or the fabrication process. Please use as a guideline only.

CALIFORNIA PROPOSITION 65 WARNING

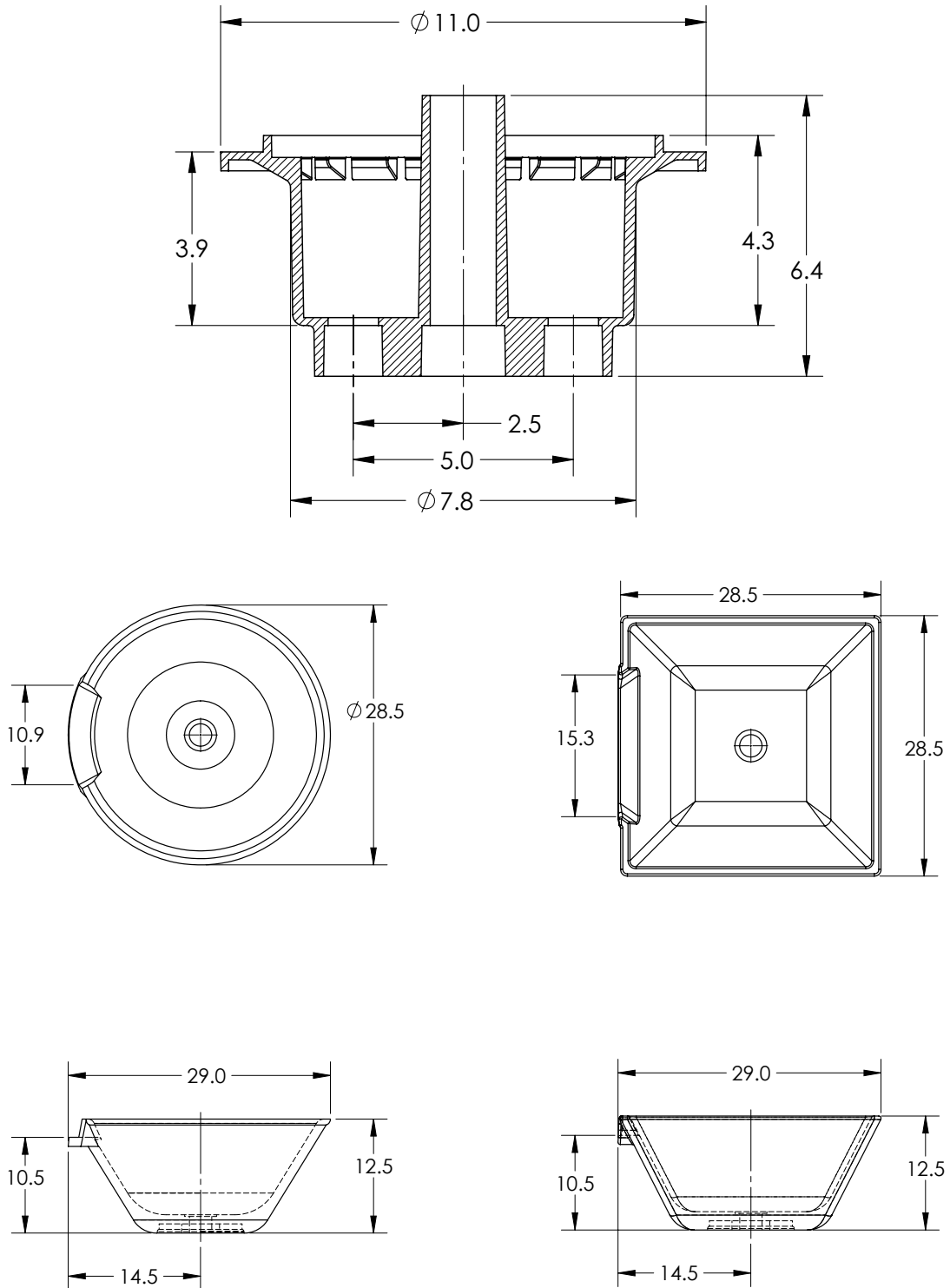
⚠️ **WARNING:** Cancer and Reproductive Harm.
 ⚠️ **AVERTISSEMENT:** Peut Causer le Cancer et des Dommages au Système Reproducteur.
 ⚠️ **ADVERTENCIA:** Cáncer y Daño Reproductivo.

www.p65warnings.ca.gov
PR020114

See page 589 for replacement parts.

MAGICBOWL® WATER EFFECT WITH FIREFX® LED LIGHT

Dimensions and Performance



COLORVISION® BUBBLER WITH GLOBRITE® LED LIGHTS

TRADEGRADE



Featured Highlights

- Energy efficient color LED lights with vibrant colors
- Provides 5 brilliant fixed colors, 7 dazzling light shows
- Designed for 2 in. - 10 in. of water depth
- Plume height up to 24 in.
- Low voltage operation of 12 VAC / 15W
- Cord length available in 30 ft., 50 ft., 100 ft. or 150 ft.
- Low flow requirements allow for multiple units per pool
- Niche provides for flush mounting
- The perfect complement to IntelliBrite® 5g LED Pool Lighting for dynamic and synchronized colored light shows

The ColorVision Bubbler is a combination of the ColorVision Niche and Pentair GloBrite LED light to create vivid fountain-like water movement. It is the perfect way to showcase and enhance pool features like sun shelves, steps, beach entries and poolscape elements like ponds and fountains. Its low voltage and minimal water flow requirements make them an ideal, energy-efficient addition to pools, fountains, ponds and more. It is fully compatible with the IntelliBrite 5g line of LED pool lights, optional IntelliBrite Controller and the EasyTouch® or IntelliTouch® Automation Systems. Custom program and control light shows using an indoor control panel, wireless remote and the ScreenLogic® Interface using your smartphone, computer or mobile digital device.

NOTE: GloBrite LED Lights - sold separately

CALIFORNIA PROPOSITION 65 WARNING

⚠️ **WARNING:** Cancer and Reproductive Harm.
 ⚠️ **AVERTISSEMENT:** Peut Causer le Cancer et des Dommages au Système Reproducteur.
 ⚠️ **ADVERTENCIA:** Cáncer y Daño Reproductivo.
www.p65warnings.ca.gov

Ordering Information

Product	Description	Carton Qty.	Carton Wt.
COLORVISION LED LIGHT BUBBLER			
580037	ColorVision Gunite Niche Kit (Niche only - must order GloBrite separately)	1	6
580036	ColorVision Vinyl/Fiberglass Niche Kit (Niche only - must order GloBrite separately)	1	6

Product	Voltage	Wattage	Cord Length (Ft.)	Carton Qty.	Carton Wt. (Lbs.)
GLOBRITE COLOR LED LIGHTS					
602053	12	15W	30	1	5
602054	12	15W	50	1	9
602055	12	15W	100	1	9
602056	12	15W	150	1	9

Product	Voltage	Wattage	Cord Length (Ft.)	Carton Qty.	Carton Wt. (Lbs.)
GLOBRITE WHITE LED LIGHTS					
602102	12	15W	30	1	5
602103	12	15W	50	1	9
602104	12	15W	100	1	9
602105	12	15W	150	1	9

TRANSFORMERS (LANDSCAPE AND POOL RATED)					
619962	12V-14V	100W		1	12
619963	12V-14V	300W		1	13

All Pentair UL Listed underwater lights are certified for use in fresh water with up to 6,000 ppm salinity.

COLORVISION® BUBBLER WITH GLOBRITE® LED LIGHTS



Dimensions and Certifications

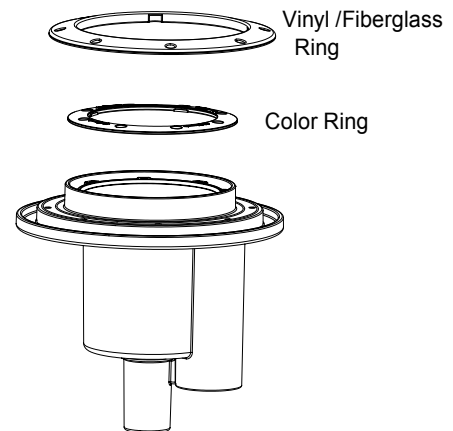
All ColorVision bubblers come with white accessories. Optional color rings are available for the the screw cover color ring and vinyl/fiberglass ring.

CALIFORNIA PROPOSITION 65 WARNING
 ⚠️ **WARNING:** Cancer and Reproductive Harm.
 ⚠️ **AVERTISSEMENT:** Peut Causer le Cancer et des Dommages au Système Reproducteur.
 ⚠️ **ADVERTENCIA:** Cáncer y Daño Reproductivo.
www.p65warnings.ca.gov PR20171A

COLOR RINGS
590128Z Color Ring - Blue
590127Z Color Ring - Grey
590129Z Color Ring - Tan
590130Z Color Ring - Black
590132Z Vinyl/Fiberglass Ring - Blue
590131Z Vinyl/Fiberglass Ring - Grey
590133Z Vinyl/Fiberglass Ring - Tan
590134Z Vinyl/Fiberglass Ring - Black

GPM	WATER DEPTH									
	2"		4"		6"		8"		10"	
	PLUME HEIGHT									
	Nozzle Diameter									
	1/2"	3/4"	1/2"	3/4"	1/2"	3/4"	1/2"	3/4"	1/2"	3/4"
15		20"	42"	11"	28"	8"	14"	6"	12"	4"
20		32"		18"		12"	24"	8"	16"	8"
25				26"		18"		12"	23"	10"
30						25"		16"		14"
35								24"		18"
40								30"		22"
45										26"

Note: Plume height may vary.



All Pentair UL Listed underwater lights are certified for use in fresh water with up to 6,000 ppm salinity.

See page 587 for replacement parts.

MAGICFALLS® WATER EFFECTS

TRADEGRADE



Featured Highlights

- Choose from sheet, curtain and rainfall or arc sheet and rainfall effects
- Individual water effects are available in widths from 8 inches to 8 feet
- Available in six finishes brass, bronze, copper, gray, pewter, or white
- Waterfalls can be straight, curved, or customized
- Vary flow to any water effect with an energy-efficient IntelliFlo® or IntelliPro® Variable Speed Pump to alter the height and distance of the water effect.
- Visit our website to use the interactive waterfall part number configurator tool: www.pentairpool.com/waterfalltool

Actual finish and color may vary from the images found herein due to slight differences in material make-up and/or the fabrication process. Please use as a guideline only.

11 Series Lip = 1 in. lip, for all straight waterfalls

12 Series Lip = 6 in. Lip, for Radius Curved Waterfalls

14 Series Lip = 13 in. Lip, for super radius curved waterfalls and custom curved shapes

FACTORY CUT RADIUS CURVES:
Waterfalls with factory cut radius curves are possible on waterfalls with 6in or 13in lips with Waterfall Sheet or Waterfall Rain water effects.

Use the chart below to select the waterfall width and proper lip length for your desired radius curve.

When ordering a waterfall with a factory cut radius, follow these steps:

1. Order the waterfall part number.
2. Then include item number 5890001 on the order to indicate that you need a factory cut radius.
3. Then include a note specifying the exact radius dimension.
4. Be sure to specify "Convex" or "Concave" on your note.



An example of a complete order for a waterfall with a factory cut radius would be:
Item: 581407FSB waterfall.
Item: 5890001 radius charge.
Note: 7 ft convex radius cut.

FACTORY CUT CUSTOM CURVES:
Waterfalls with factory cut custom curves are possible on waterfalls that have 13 in. lips and Waterfall Sheet water effect.

When ordering a waterfall with a factory cut custom curve, follow these steps:

1. Order the waterfall part number.
2. Then include item number 5890002 on the order to indicate that you need a custom curve.
3. Then include a template showing the dimensions of the custom curve shape.

An example of a complete order for a waterfall with a factory cut custom curve would be:
Item: 581407FSB waterfall.
Item: 5890002 custom curve charge.
Note: Refer to enclosed template.

Lip Width Selection Guide for Radius Curve Waterfalls

Pool Section Radius	WATERFALL WIDTH									
	8 IN.	1 FT.	18 IN.	2 FT.	3 FT.	4 FT.	5 FT.	6 FT.	7 FT.	8 FT.
1 ft.	12	12 or 14	12 or 14	N/A	N/A	N/A	N/A	N/A	N/A	N/A
1-1/2 ft.	12	12 or 14	12 or 14	12 or 14	N/A	N/A	N/A	N/A	N/A	N/A
2 ft.	12	12 or 14	12 or 14	12 or 14	14	N/A	N/A	N/A	N/A	N/A
2-1/2 ft.	12	12 or 14	12 or 14	12 or 14	14	N/A	N/A	N/A	N/A	N/A
3 ft.	12	12 or 14	12 or 14	12 or 14	12 or 14	14	N/A	N/A	N/A	N/A
3-1/2 ft.	12	12 or 14	12 or 14	12 or 14	12 or 14	14	N/A	N/A	N/A	N/A
4 ft.	12	12 or 14	12 or 14	12 or 14	12 or 14	14	14	N/A	N/A	N/A
4-1/2 ft.	12	12 or 14	12 or 14	12 or 14	12 or 14	14	14	N/A	N/A	N/A
5 ft.	12	12 or 14	12 or 14	12 or 14	12 or 14	14	14	N/A	N/A	N/A
5-1/2 ft.	12	12 or 14	12 or 14	12 or 14	12 or 14	12 or 14	14	14	N/A	N/A
6 ft.	12	12 or 14	12 or 14	12 or 14	12 or 14	12 or 14	14	14	N/A	N/A
6-1/2 ft.	12	12 or 14	12 or 14	12 or 14	12 or 14	12 or 14	14	14	N/A	N/A
7 ft.	12	12 or 14	12 or 14	12 or 14	12 or 14	12 or 14	14	14	14	N/A
7-1/2 ft.	12	12 or 14	12 or 14	12 or 14	12 or 14	12 or 14	14	14	14	N/A
8 ft.	12	12 or 14	12 or 14	12 or 14	12 or 14	12 or 14	14	14	14	N/A
8-1/2 ft.	12	12 or 14	12 or 14	12 or 14	12 or 14	12 or 14	12 or 14	14	14	N/A
9 ft.	12	12 or 14	12 or 14	12 or 14	12 or 14	12 or 14	12 or 14	14	14	N/A
9-1/2 ft.	12	12 or 14	12 or 14	12 or 14	12 or 14	12 or 14	12 or 14	14	14	14
10 ft.	12	12 or 14	12 or 14	12 or 14	12 or 14	12 or 14	12 or 14	14	14	14
10-1/2 ft.	12	12 or 14	12 or 14	12 or 14	12 or 14	12 or 14	12 or 14	14	14	14
11 ft.	12	12 or 14	12 or 14	12 or 14	12 or 14	12 or 14	12 or 14	14	14	14
11-1/2 ft.	12	12 or 14	12 or 14	12 or 14	12 or 14	12 or 14	12 or 14	14	14	14
12 ft.	12	12 or 14	12 or 14	12 or 14	12 or 14	12 or 14	12 or 14	12 or 14	14	14
12-1/2 ft.	12	12 or 14	12 or 14	12 or 14	12 or 14	12 or 14	12 or 14	12 or 14	14	14
13 ft.	12	12 or 14	12 or 14	12 or 14	12 or 14	12 or 14	12 or 14	12 or 14	14	14
13-1/2 ft.	12	12 or 14	12 or 14	12 or 14	12 or 14	12 or 14	12 or 14	12 or 14	14	14
14 ft.	12	12 or 14	12 or 14	12 or 14	12 or 14	12 or 14	12 or 14	12 or 14	14	14
14-1/2 ft.	12	12 or 14	12 or 14	12 or 14	12 or 14	12 or 14	12 or 14	12 or 14	14	14
15 ft.	12	12 or 14	12 or 14	12 or 14	12 or 14	12 or 14	12 or 14	12 or 14	14	14
15-1/2 ft.	12	12 or 14	12 or 14	12 or 14	12 or 14	12 or 14	12 or 14	12 or 14	14	14
16 ft.	12	12 or 14	12 or 14	12 or 14	12 or 14	12 or 14	12 or 14	12 or 14	12 or 14	14
16-1/2 ft.	12	12 or 14	12 or 14	12 or 14	12 or 14	12 or 14	12 or 14	12 or 14	12 or 14	14
17 ft.	12	12 or 14	12 or 14	12 or 14	12 or 14	12 or 14	12 or 14	12 or 14	12 or 14	14
17-1/2 ft.	12	12 or 14	12 or 14	12 or 14	12 or 14	12 or 14	12 or 14	12 or 14	12 or 14	14
18 ft.	12	12 or 14	12 or 14	12 or 14	12 or 14	12 or 14	12 or 14	12 or 14	12 or 14	14
18-1/2 ft.	12	12 or 14	12 or 14	12 or 14	12 or 14	12 or 14	12 or 14	12 or 14	12 or 14	14
19 ft.	12	12 or 14	12 or 14	12 or 14	12 or 14	12 or 14	12 or 14	12 or 14	12 or 14	14
19-1/2 ft.	12	12 or 14	12 or 14	12 or 14	12 or 14	12 or 14	12 or 14	12 or 14	12 or 14	14
20 ft.	12	12 or 14	12 or 14	12 or 14	12 or 14	12 or 14	12 or 14	12 or 14	12 or 14	14
20-1/2 ft.	12	12 or 14	12 or 14	12 or 14	12 or 14	12 or 14	12 or 14	12 or 14	12 or 14	12 or 14

MAGICFALLS® WATER EFFECTS (CONT'D)

Ordering Information

Brass	Bronze	Copper	Grey	Pewter	White	Description	Carton Qty.	Carton Wt.
WATERFALL SHEET, 1 IN. LIP								
581100FSB	581100FSZ	581100FSP	581100FSG	581100FSS	581100FSW	SHEET / 1 in. LIP / 8 in. WIDE	1	2
581100FSBBF	581100FSZBF	581100FSPBF	581100FSGBF	581100FSSBF	581100FSWBF	SHEET / 1 in. LIP / 8 in. WIDE / BOTTOM FEED	1	2
581101FSB	581101FSZ	581101FSP	581101FSG	581101FSS	581101FSW	SHEET / 1 in. LIP / 1 ft. WIDE	1	3
581101FSBBF	581101FSZBF	581101FSPBF	581101FSGBF	581101FSSBF	581101FSWBF	SHEET / 1 in. LIP / 1 ft. WIDE / BOTTOM FEED	1	3
581118FSB	581118FSZ	581118FSP	581118FSG	581118FSS	581118FSW	SHEET / 1 in. LIP / 18 in. WIDE	1	4
581118FSBBF	581118FSZBF	581118FSPBF	581118FSGBF	581118FSSBF	581118FSWBF	SHEET / 1 in. LIP / 18 in. WIDE / BOTTOM FEED	1	4
581102FSB	581102FSZ	581102FSP	581102FSG	581102FSS	581102FSW	SHEET / 1 in. LIP / 2 ft. WIDE	1	5
581102FSBBF	581102FSZBF	581102FSPBF	581102FSGBF	581102FSSBF	581102FSWBF	SHEET / 1 in. LIP / 2 ft. WIDE / BOTTOM FEED	1	5
581103FSB	581103FSZ	581103FSP	581103FSG	581103FSS	581103FSW	SHEET / 1 in. LIP / 3 ft. WIDE	1	7
581103FSBBF	581103FSZBF	581103FSPBF	581103FSGBF	581103FSSBF	581103FSWBF	SHEET / 1 in. LIP / 3 ft. WIDE / BOTTOM FEED	1	7
581104FSB	581104FSZ	581104FSP	581104FSG	581104FSS	581104FSW	SHEET / 1 in. LIP / 4 ft. WIDE	1	9
581104FSBBF	581104FSZBF	581104FSPBF	581104FSGBF	581104FSSBF	581104FSWBF	SHEET / 1 in. LIP / 4 ft. WIDE / BOTTOM FEED	1	9
581105FSB	581105FSZ	581105FSP	581105FSG	581105FSS	581105FSW	SHEET / 1 in. LIP / 5 ft. WIDE	1	11
581106FSB	581106FSZ	581106FSP	581106FSG	581106FSS	581106FSW	SHEET / 1 in. LIP / 6 ft. WIDE	1	15
581107FSB	581107FSZ	581107FSP	581107FSG	581107FSS	581107FSW	SHEET / 1 in. LIP / 7 ft. WIDE	1	18
581108FSB	581108FSZ	581108FSP	581108FSG	581108FSS	581108FSW	SHEET / 1 in. LIP / 8 ft. WIDE	1	21
WATERFALL SHEET, 6 IN. LIP								
581200FSB	581200FSZ	581200FSP	581200FSG	581200FSS	581200FSW	SHEET / 6 in. LIP / 8 in. WIDE	1	3
581200FSBBF	581200FSZBF	581200FSPBF	581200FSGBF	581200FSSBF	581200FSWBF	SHEET / 6 in. LIP / 8 in. WIDE / BOTTOM FEED	1	3
581201FSB	581201FSZ	581201FSP	581201FSG	581201FSS	581201FSW	SHEET / 6 in. LIP / 1 ft. WIDE	1	5
581201FSBBF	581201FSZBF	581201FSPBF	581201FSGBF	581201FSSBF	581201FSWBF	SHEET / 6 in. LIP / 1 ft. WIDE / BOTTOM FEED	1	5
581218FSB	581218FSZ	581218FSP	581218FSG	581218FSS	581218FSW	SHEET / 6 in. LIP / 18 in. WIDE	1	6
581218FSBBF	581218FSZBF	581218FSPBF	581218FSGBF	581218FSSBF	581218FSWBF	SHEET / 6 in. LIP / 18 in. WIDE / BOTTOM FEED	1	6
581202FSB	581202FSZ	581202FSP	581202FSG	581202FSS	581202FSW	SHEET / 6 in. LIP / 2 ft. WIDE	1	8
581202FSBBF	581202FSZBF	581202FSPBF	581202FSGBF	581202FSSBF	581202FSWBF	SHEET / 6 in. LIP / 2 ft. WIDE / BOTTOM FEED	1	8
581203FSB	581203FSZ	581203FSP	581203FSG	581203FSS	581203FSW	SHEET / 6 in. LIP / 3 ft. WIDE	1	12
581203FSBBF	581203FSZBF	581203FSPBF	581203FSGBF	581203FSSBF	581203FSWBF	SHEET / 6 in. LIP / 3 ft. WIDE / BOTTOM FEED	1	12
581204FSB	581204FSZ	581204FSP	581204FSG	581204FSS	581204FSW	SHEET / 6 in. LIP / 4 ft. WIDE	1	16
581204FSBBF	581204FSZBF	581204FSPBF	581204FSGBF	581204FSSBF	581204FSWBF	SHEET / 6 in. LIP / 4 ft. WIDE / BOTTOM FEED	1	16
581205FSB	581205FSZ	581205FSP	581205FSG	581205FSS	581205FSW	SHEET / 6 in. LIP / 5 ft. WIDE	1	20
581206FSB	581206FSZ	581206FSP	581206FSG	581206FSS	581206FSW	SHEET / 6 in. LIP / 6 ft. WIDE	1	27
581207FSB	581207FSZ	581207FSP	581207FSG	581207FSS	581207FSW	SHEET / 6 in. LIP / 7 ft. WIDE	1	31
581208FSB	581208FSZ	581208FSP	581208FSG	581208FSS	581208FSW	SHEET / 6 in. LIP / 8 ft. WIDE	1	36
WATERFALL SHEET, 13 IN. LIP								
581401FSB	581401WFZG	581401FSP	581401FSG	581401FSS	581401FSW	SHEET / 13 in. LIP / 1 ft. WIDE	1	8
581401FSBBF	581401FSZBF	581401FSPBF	581401FSGBF	581401FSSBF	581401FSWBF	SHEET / 13 in. LIP / 1 ft. WIDE / BOTTOM FEED	1	8
581418FSB	581418FSZ	581418FSP	581418FSG	581418FSS	581418FSW	SHEET / 13 in. LIP / 18 in. WIDE	1	12
581418FSBBF	581418FSZBF	581418FSPBF	581418FSGBF	581418FSSBF	581418FSWBF	SHEET / 13 in. LIP / 18 in. WIDE / BOTTOM FEED	1	12
581402FSB	581402FSZ	581402FSP	581402FSG	581402FSS	581402FSW	SHEET / 13 in. LIP / 2 ft. WIDE	1	16
581402FSBBF	581402FSZBF	581402FSPBF	581402FSGBF	581402FSSBF	581402FSWBF	SHEET / 13 in. LIP / 2 ft. WIDE / BOTTOM FEED	1	16
581403FSB	581403FSZ	581403FSP	581403FSG	581403FSS	581403FSW	SHEET / 13 in. LIP / 3 ft. WIDE	1	22
581403FSBBF	581403FSZBF	581403FSPBF	581403FSGBF	581403FSSBF	581403FSWBF	SHEET / 13 in. LIP / 3 ft. WIDE / BOTTOM FEED	1	22
581404FSB	581404FSZ	581404FSP	581404FSG	581404FSS	581404FSW	SHEET / 13 in. LIP / 4 ft. WIDE	1	29
581404FSBBF	581404FSZBF	581404FSPBF	581404FSGBF	581404FSSBF	581404FSWBF	SHEET / 13 in. LIP / 4 ft. WIDE / BOTTOM FEED	1	29
581405FSB	581405FSZ	581405FSP	581405FSG	581405FSS	581405FSW	SHEET / 13 in. LIP / 5 ft. WIDE	1	34
581406FSB	581406FSZ	581406FSP	581406FSG	581406FSS	581406FSW	SHEET / 13 in. LIP / 6 ft. WIDE	1	42
581407FSB	581407FSZ	581407FSP	581407FSG	581407FSS	581407FSW	SHEET / 13 in. LIP / 7 ft. WIDE	1	48
581408FSB	581408FSZ	581408FSP	581408FSG	581408FSS	581408FSW	SHEET / 13 in. LIP / 8 ft. WIDE	1	56

MAGICFALLS® WATER EFFECTS (CONT'D)

Ordering Information

Brass	Bronze	Copper	Grey	Pewter	White	Description	Carton Qty.	Carton Wt.
WATERFALL CURTAIN, 6 IN. LIP								
581200FCB	581200FCZ	581200FCP	581200FCG	581200FCS	581200FCW	CURTAIN / 6 in. LIP / 8 in. WIDE	1	3
581200FCBBF	581200FCZBF	581200FCPBF	581200FCGBF	581200FCSBF	581200FCWBF	CURTAIN / 6 in. LIP / 8 in. WIDE / BOTTOM FEED	1	3
581201FCB	581201FCZ	581201FCP	581201FCG	581201FCS	581201FCW	CURTAIN / 6 in. LIP / 1 ft. WIDE	1	5
581201FCBBF	581201FCZBF	581201FCPBF	581201FCGBF	581201FCSBF	581201FCWBF	CURTAIN / 6 in. LIP / 1 ft. WIDE / BOTTOM FEED	1	5
581218FCB	581218FCZ	581218FCP	581218FCG	581218FCS	581218FCW	CURTAIN / 6 in. LIP / 18 in. WIDE	1	6
581218FCBBF	581218FCZBF	581218FCPBF	581218FCGBF	581218FCSBF	581218FCWBF	CURTAIN / 6 in. LIP / 18 in. WIDE / BOTTOM FEED	1	6
581202FCB	581202FCZ	581202FCP	581202FCG	581202FCS	581202FCW	CURTAIN / 6 in. LIP / 2 ft. WIDE	1	8
581202FCBBF	581202FCZBF	581202FCPBF	581202FCGBF	581202FCSBF	581202FCWBF	CURTAIN / 6 in. LIP / 2 ft. WIDE / BOTTOM FEED	1	8
581203FCB	581203FCZ	581203FCP	581203FCG	581203FCS	581203FCW	CURTAIN / 6 in. LIP / 3 ft. WIDE	1	12
581203FCBBF	581203FCZBF	581203FCPBF	581203FCGBF	581203FCSBF	581203FCWBF	CURTAIN / 6 in. LIP / 3 ft. WIDE / BOTTOM FEED	1	12
581204FCB	581204FCZ	581204FCP	581204FCG	581204FCS	581204FCW	CURTAIN / 6 in. LIP / 4 ft. WIDE	1	16
581204FCBBF	581204FCZBF	581204FCPBF	581204FCGBF	581204FCSBF	581204FCWBF	CURTAIN / 6 in. LIP / 4 ft. WIDE / BOTTOM FEED	1	16
581205FCB	581205FCZ	581205FCP	581205FCG	581205FCS	581205FCW	CURTAIN / 6 in. LIP / 5 ft. WIDE	1	20
581206FCB	581206FCZ	581206FCP	581206FCG	581206FCS	581206FCW	CURTAIN / 6 in. LIP / 6 ft. WIDE	1	27
581207FCB	581207FCZ	581207FCP	581207FCG	581207FCS	581207FCW	CURTAIN / 6 in. LIP / 7 ft. WIDE	1	31
581208FCB	581208FCZ	581208FCP	581208FCG	581208FCS	581208FCW	CURTAIN / 6 in. LIP / 8 ft. WIDE	1	36
WATERFALL CURTAIN, 13 IN. LIP								
581401FCB	581401FCZ	581401FCP	581401FCG	581401FCS	581401FCW	CURTAIN / 13 in. LIP / 1 ft. WIDE	1	8
581401FCBBF	581401FCZBF	581401FCPBF	581401FCGBF	581401FCSBF	581401FCWBF	CURTAIN / 13 in. LIP / 1 ft. WIDE / BOTTOM FEED	1	8
581418FCB	581418FCZ	581418FCP	581418FCG	581418FCS	581418FCW	CURTAIN / 13 in. LIP / 18 in. WIDE	1	12
581418FCBBF	581418FCZBF	581418FCPBF	581418FCGBF	581418FCSBF	581418FCWBF	CURTAIN / 13 in. LIP / 18 in. WIDE / BOTTOM FEED	1	12
581402FCB	581402FCZ	581402FCP	581402FCG	581402FCS	581402FCW	CURTAIN / 13 in. LIP / 2 ft. WIDE	1	16
581402FCBBF	581402FCZBF	581402FCPBF	581402FCGBF	581402FCSBF	581402FCWBF	CURTAIN / 13 in. LIP / 2 ft. WIDE / BOTTOM FEED	1	16
581403FCB	581403FCZ	581403FCP	581403FCG	581403FCS	581403FCW	CURTAIN / 13 in. LIP / 3 ft. WIDE	1	22
581403FCBBF	581403FCZBF	581403FCPBF	581403FCGBF	581403FCSBF	581403FCWBF	CURTAIN / 13 in. LIP / 3 ft. WIDE / BOTTOM FEED	1	22
581404FCB	581404FCZ	581404FCP	581404FCG	581404FCS	581404FCW	CURTAIN / 13 in. LIP / 4 ft. WIDE	1	29
581404FCBBF	581404FCZBF	581404FCPBF	581404FCGBF	581404FCSBF	581404FCWBF	CURTAIN / 13 in. LIP / 4 ft. WIDE / BOTTOM FEED	1	29
581405FCB	581405FCZ	581405FCP	581405FCG	581405FCS	581405FCW	CURTAIN / 13 in. LIP / 5 ft. WIDE	1	34
581406FCB	581406FCZ	581406FCP	581406FCG	581406FCS	581406FCW	CURTAIN / 13 in. LIP / 6 ft. WIDE	1	42
581407FCB	581407FCZ	581407FCP	581407FCG	581407FCS	581407FCW	CURTAIN / 13 in. LIP / 7 ft. WIDE	1	48
581408FCB	581408FCZ	581408FCP	581408FCG	581408FCS	581408FCW	CURTAIN / 13 in. LIP / 8 ft. WIDE	1	56

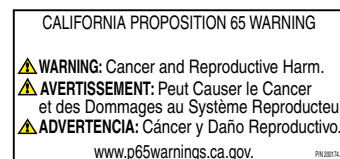
NOTES TO INSTALLERS:

1. Waterfalls Widths 5 ft.–8 ft. have two (2) Rear 1-1/2 in. Slip Male connections AND a precut manifold to balance the flow.
2. Not all Water Effects are available in all lengths. Check Price List to confirm availability.
3. Radius and Custom Curves require the use of additional option part numbers. Must specify radius and convex pool or concave pool, OR provide template (custom curve shape).

FACTORY CUT CURVES

Factory Radius Cut: 12 & 14 Series (P/N 5890001)

Custom Curve Shape: 14 Series (P/N 5890002)



MAGICFALLS® WATER EFFECTS (CONT'D)

Brass	Bronze	Copper	Grey	Pewter	White	Description	Carton Qty.	Carton Wt.
WATERFALL RAIN, 6 IN. LIP								
581200FRB	581200FRZ	581200FRP	581200FRG	581200FRS	581200FRW	RAIN / 6 in. LIP / 8 in. WIDE	1	3
581200FRBBF	581200FRZBF	581200FRPBF	581200FRGBF	581200FRSBF	581200FRWBF	RAIN / 6 in. LIP / 8 in. WIDE / BOTTOM FEED	1	3
581201FRB	581201FRZ	581201FRP	581201FRG	581201FRS	581201FRW	RAIN / 6 in. LIP / 1 ft. WIDE	1	5
581201FRBBF	581201FRZBF	581201FRPBF	581201FRGBF	581201FRSBF	581201FRWBF	RAIN / 6 in. LIP / 1 ft. WIDE / BOTTOM FEED	1	5
581218FRB	581218FRZ	581218FRP	581218FRG	581218FRS	581218FRW	RAIN / 6 in. LIP / 18 in. WIDE	1	6
581218FRBBF	581218FRZBF	581218FRPBF	581218FRGBF	581218FRSBF	581218FRWBF	RAIN / 6 in. LIP / 18 in. WIDE / BOTTOM FEED	1	6
581202FRB	581202FRZ	581202FRP	581202FRG	581202FRS	581202FRW	RAIN / 6 in. LIP / 2 ft. WIDE	1	8
581202FRBBF	581202FRZBF	581202FRPBF	581202FRGBF	581202FRSBF	581202FRWBF	RAIN / 6 in. LIP / 2 ft. WIDE / BOTTOM FEED	1	8
581203FRB	581203FRZ	581203FRP	581203FRG	581203FRS	581203FRW	RAIN / 6 in. LIP / 3 ft. WIDE	1	12
581203FRBBF	581203FRZBF	581203FRPBF	581203FRGBF	581203FRSBF	581203FRWBF	RAIN / 6 in. LIP / 3 ft. WIDE / BOTTOM FEED	1	12
581204FRB	581204FRZ	581204FRP	581204FRG	581204FRS	581204FRW	RAIN / 6 in. LIP / 4 ft. WIDE	1	16
581204FRBBF	581204FRZBF	581204FRPBF	581204FRGBF	581204FRSBF	581204FRWBF	RAIN / 6 in. LIP / 4 ft. WIDE / BOTTOM FEED	1	16
581205FRB	581205FRZ	581205FRP	581205FRG	581205FRS	581205FRW	RAIN / 6 in. LIP / 5 ft. WIDE	1	20
581206FRB	581206FRZ	581206FRP	581206FRG	581206FRS	581206FRW	RAIN / 6 in. LIP / 6 ft. WIDE	1	27
581207FRB	581207FRZ	581207FRP	581207FRG	581207FRS	581207FRW	RAIN / 6 in. LIP / 7 ft. WIDE	1	31
581208FRB	581208FRZ	581208FRP	581208FRG	581208FRS	581208FRW	RAIN / 6 in. LIP / 8 ft. WIDE	1	36
WATERFALL RAIN, 13 in. LIP								
581401FRB	581401FRZ	581401FRP	581401FRG	581401FRS	581401FRW	RAIN / 13 in. LIP / 1 ft. WIDE	1	8
581401FRBBF	581401FRZBF	581401FRPBF	581401FRGBF	581401FRSBF	581401FRWBF	RAIN / 13 in. LIP / 1 ft. WIDE / BOTTOM FEED	1	8
581418FRB	581418FRZ	581418FRP	581418FRG	581418FRS	581418FRW	RAIN / 13 in. LIP / 18 in. WIDE	1	12
581418FRBBF	581418FRZBF	581418FRPBF	581418FRGBF	581418FRSBF	581418FRWBF	RAIN / 13 in. LIP / 18 in. WIDE / BOTTOM FEED	1	12
581402FRB	581402FRZ	581402FRP	581402FRG	581402FRS	581402FRW	RAIN / 13 in. LIP / 2 ft. WIDE	1	16
581402FRBBF	581402FRZBF	581402FRPBF	581402FRGBF	581402FRSBF	581402FRWBF	RAIN / 13 in. LIP / 2 ft. WIDE / BOTTOM FEED	1	16
581403FRB	581403FRZ	581403FRP	581403FRG	581403FRS	581403FRW	RAIN / 13 in. LIP / 3 ft. WIDE	1	22
581403FRBBF	581403FRZBF	581403FRPBF	581403FRGBF	581403FRSBF	581403FRWBF	RAIN / 13 in. LIP / 3 ft. WIDE / BOTTOM FEED	1	22
581404FRB	581404FRZ	581404FRP	581404FRG	581404FRS	581404FRW	RAIN / 13 in. LIP / 4 ft. WIDE	1	29
581404FRBBF	581404FRZBF	581404FRPBF	581404FRGBF	581404FRSBF	581404FRWBF	RAIN / 13 in. LIP / 4 ft. WIDE / BOTTOM FEED	1	29
581405FRB	581405FRZ	581405FRP	581405FRG	581405FRS	581405FRW	RAIN / 13 in. LIP / 5 ft. WIDE	1	34
581406FRB	581406FRZ	581406FRP	581406FRG	581406FRS	581406FRW	RAIN / 13 in. LIP / 6 ft. WIDE	1	42
581407FRB	581407FRZ	581407FRP	581407FRG	581407FRS	581407FRW	RAIN / 13 in. LIP / 7 ft. WIDE	1	48
581408FRB	581408FRZ	581408FRP	581408FRG	581408FRS	581408FRW	RAIN / 13 in. LIP / 8 ft. WIDE	1	56
ARC SHEET, 6 IN. LIP								
581200ASB	581200ASZ	581200ASP	581200ASG	581200ASS	581200ASW	ARC SHEET / 6 in. LIP / 8 in. WIDE	1	3
581200ASBBF	581200ASZBF	581200ASPBF	581200ASGBF	581200ASSBF	581200ASWBF	ARC SHEET / 6 in. LIP / 8 in. WIDE / BOTTOM FEED	1	3
581201ASB	581201ASZ	581201ASP	581201ASG	581201ASS	581201ASW	ARC SHEET / 6 in. LIP / 1 ft. WIDE	1	5
581201ASBBF	581201ASZBF	581201ASPBF	581201ASGBF	581201ASSBF	581201ASWBF	ARC SHEET / 6 in. LIP / 1 ft. WIDE / BOTTOM FEED	1	5
581218ASB	581218ASZ	581218ASP	581218ASG	581218ASS	581218ASW	ARC SHEET / 6 in. LIP / 18 in. WIDE	1	6
581218ASBBF	581218ASZBF	581218ASPBF	581218ASGBF	581218ASSBF	581218ASWBF	ARC SHEET / 6 in. LIP / 18 in. WIDE / BOTTOM FEED	1	6
581202ASB	581202ASZ	581202ASP	581202ASG	581202ASS	581202ASW	ARC SHEET / 6 in. LIP / 2 ft. WIDE	1	8
581202ASBBF	581202ASZBF	581202ASPBF	581202ASGBF	581202ASSBF	581202ASWBF	ARC SHEET / 6 in. LIP / 2 ft. WIDE / BOTTOM FEED	1	8
ARC SHEET, 13 IN. LIP								
581401ASB	581401ASZ	581401ASP	581401ASG	581401ASS	581401ASW	ARC SHEET / 13 in. LIP / 1 ft. WIDE	1	8
581401ASBBF	581401ASZBF	581401ASPBF	581401ASGBF	581401ASSBF	581401ASWBF	ARC SHEET / 13 in. LIP / 1 ft. WIDE / BOTTOM FEED	1	8
581418ASB	581418ASZ	581418ASP	581418ASG	581418ASS	581418ASW	ARC SHEET / 13 in. LIP / 18 in. WIDE	1	12
581418ASBBF	581418ASZBF	581418ASPBF	581418ASGBF	581418ASSBF	581418ASWBF	ARC SHEET / 13 in. LIP / 18 in. WIDE / BOTTOM FEED	1	12
581402ASB	581402ASZ	581402ASP	581402ASG	581402ASS	581402ASW	ARC SHEET / 13 in. LIP / 2 ft. WIDE	1	16
581402ASBBF	581402ASZBF	581402ASPBF	581402ASGBF	581402ASSBF	581402ASWBF	ARC SHEET / 13 in. LIP / 2 ft. WIDE / BOTTOM FEED	1	16

MAGICFALLS® WATER EFFECTS (CONT'D)

Ordering Information

Brass	Bronze	Copper	Grey	Pewter	White	Description	Carton Qty.	Carton Wt.
ARC RAIN, 6 IN. LIP								
581200ARB	581200ARZ	581200ARP	581200ARG	581200ARS	581200ARW	ARC RAIN / 6 in. LIP / 8 in. WIDE	1	3
581200ARBBF	581200ARZBF	581200ARPBF	581200ARGBF	581200ARSBF	581200ARWBF	ARC RAIN / 6 in. LIP / 8 in. WIDE / BOTTOM FEED	1	3
581201ARB	581201ARZ	581201ARP	581201ARG	581201ARS	581201ARW	ARC RAIN / 6 in. LIP / 1 ft. WIDE	1	5
581201ARBBF	581201ARZBF	581201ARPBF	581201ARGBF	581201ARSBF	581201ARWBF	ARC RAIN / 6 in. LIP / 1 ft. WIDE / BOTTOM FEED	1	5
581218ARB	581218ARZ	581218ARP	581218ARG	581218ARS	581218ARW	ARC RAIN / 6 in. LIP / 18 in. WIDE	1	6
581218ARBBF	581218ARZBF	581218ARPBF	581218ARGBF	581218ARSBF	581218ARWBF	ARC RAIN / 6 in. LIP / 18 in. WIDE / BOTTOM FEED	1	6
581202ARB	581202ARZ	581202ARP	581202ARG	581202ARS	581202ARW	ARC RAIN / 6 in. LIP / 2 ft. WIDE	1	8
581202ARBBF	581202ARZBF	581202ARPBF	581202ARGBF	581202ARSBF	581202ARWBF	ARC RAIN / 6 in. LIP / 2 ft. WIDE / BOTTOM FEED	1	8
581203ARB	581203ARZ	581203ARP	581203ARG	581203ARS	581203ARW	ARC RAIN / 6 in. LIP / 3 ft. WIDE	1	12
581203ARBBF	581203ARZBF	581203ARPBF	581203ARGBF	581203ARSBF	581203ARWBF	ARC RAIN / 6 in. LIP / 3 ft. WIDE / BOTTOM FEED	1	12
581204ARB	581204ARZ	581204ARP	581204ARG	581204ARS	581204ARW	ARC RAIN / 6 in. LIP / 4 ft. WIDE	1	16
581204ARBBF	581204ARZBF	581204ARPBF	581204ARGBF	581204ARSBF	581204ARWBF	ARC RAIN / 6 in. LIP / 4 ft. WIDE / BOTTOM FEED	1	16
581205ARB	581205ARZ	581205ARP	581205ARG	581205ARS	581205ARW	ARC RAIN / 6 in. LIP / 5 ft. WIDE	1	20
581206ARB	581206ARZ	581206ARP	581206ARG	581206ARS	581206ARW	ARC RAIN / 6 in. LIP / 6 ft. WIDE	1	27
581207ARB	581207ARZ	581207ARP	581207ARG	581207ARS	581207ARW	ARC RAIN / 6 in. LIP / 7 ft. WIDE	1	31
581208ARB	581208ARZ	581208ARP	581208ARG	581208ARS	581208ARW	ARC RAIN / 6 in. LIP / 8 ft. WIDE	1	36
ARC RAIN, 13 IN. LIP								
581401ARB	581401ARZ	581401ARP	581401ARG	581401ARS	581401ARW	ARC RAIN / 13 in. LIP / 1 ft. WIDE	1	8
581401ARBBF	581401ARZBF	581401ARPBF	581401ARGBF	581401ARSBF	581401ARWBF	ARC RAIN / 13 in. LIP / 1 ft. WIDE / BOTTOM FEED	1	8
581418ARB	581418ARZ	581418ARP	581418ARG	581418ARS	581418ARW	ARC RAIN / 13 in. LIP / 18 in. WIDE	1	12
581418ARBBF	581418ARZBF	581418ARPBF	581418ARGBF	581418ARSBF	581418ARWBF	ARC RAIN / 13 in. LIP / 18 in. WIDE / BOTTOM FEED	1	12
581402ARB	581402ARZ	581402ARP	581402ARG	581402ARS	581402ARW	ARC RAIN / 13 in. LIP / 2 ft. WIDE	1	16
581402ARBBF	581402ARZBF	581402ARPBF	581402ARGBF	581402ARSBF	581402ARWBF	ARC RAIN / 13 in. LIP / 2 ft. WIDE / BOTTOM FEED	1	16
581403ARB	581403ARZ	581403ARP	581403ARG	581403ARS	581403ARW	ARC RAIN / 13 in. LIP / 3 ft. WIDE	1	22
581403ARBBF	581403ARZBF	581403ARPBF	581403ARGBF	581403ARSBF	581403ARWBF	ARC RAIN / 13 in. LIP / 3 ft. WIDE / BOTTOM FEED	1	22
581404ARB	581404ARZ	581404ARP	581404ARG	581404ARS	581404ARW	ARC RAIN / 13 in. LIP / 4 ft. WIDE	1	29
581404ARBBF	581404ARZBF	581404ARPBF	581404ARGBF	581404ARSBF	581404ARWBF	ARC RAIN / 13 in. LIP / 4 ft. WIDE / BOTTOM FEED	1	29
581405ARB	581405ARZ	581405ARP	581405ARG	581405ARS	581405ARW	ARC RAIN / 13 in. LIP / 5 ft. WIDE	1	34
581406ARB	581406ARZ	581406ARP	581406ARG	581406ARS	581406ARW	ARC RAIN / 13 in. LIP / 6 ft. WIDE	1	42
581407ARB	581407ARZ	581407ARP	581407ARG	581407ARS	581407ARW	ARC RAIN / 13 in. LIP / 7 ft. WIDE	1	48
581408ARB	581408ARZ	581408ARP	581408ARG	581408ARS	581408ARW	ARC RAIN / 13 in. LIP / 8 ft. WIDE	1	56

NOTES TO INSTALLERS:

1. Waterfalls Widths 5 ft.–8 ft. have two (2) Rear 1-1/2 in. Slip Male connections AND a precut manifold to balance the flow.
2. Not all Water Effects are available in all lengths. Check Price List to confirm availability.
3. Radius and Custom Curves require the use of additional option part numbers. Must specify radius and convex pool or concave pool, OR provide template (custom curve shape).

FACTORY CUT CURVES

Factory Radius Cut: 12 & 14 Series (P/N 5890001)

Custom Curve Shape: 14 Series (P/N 5890002)

CALIFORNIA PROPOSITION 65 WARNING

WARNING: Cancer and Reproductive Harm.
AVERTISSEMENT: Peut Causer le Cancer et des Dommages au Système Reproducteur.
ADVERTENCIA: Cáncer y Daño Reproductivo.

www.p65warnings.ca.gov
P65B07A

WALLSPRING® DECORATIVE ACCENTS

FIGURE HEADS, LIONS, SHELLS, HAND HOLDS, SCONCES & ROSETTES

TRADEGRADE

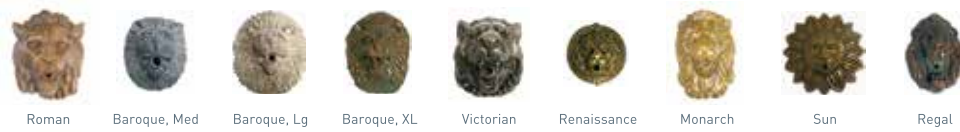
Featured Highlights

- Fixtures are easy to install with common construction adhesives
- Blended, light weight polymer construction will not rack, fade or discolor
- All fixtures attach to 3/4 in. pipe making them easy to mix and match
- Real Metallic finishes weather gracefully over time into a beautiful, rich patina

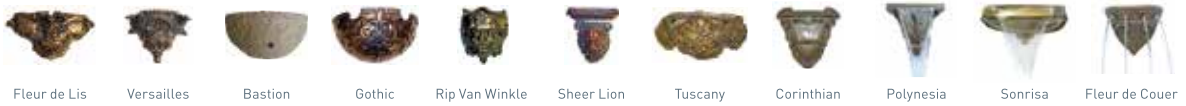
Actual finish and colors below may vary from the images found herein due to slight differences in material make-up and/or the fabrication process. Please use as a guideline only.



Lion Heads



Sconces



Rosettes



Shells



Hand Holds



Fish



Figure Heads



With WallSpring Decorative Accents you incorporate the intrigue of falling water with elegant architectural details for the perfect finishing touch to your pool. Whether you are aiming for the look and feel of a charming Old World retreat, a romantic Mediterranean grotto, or a natural tropical paradise, there is a WallSpring Decorative Accents design to meet your goal.

CALIFORNIA PROPOSITION 65 WARNING

⚠ **WARNING:** Cancer and Reproductive Harm.
 ⚠ **AVERTISSEMENT:** Peut Causer le Cancer et des Dommages au Système Reproducteur.
 ⚠ **ADVERTENCIA:** Cáncer y Daño Reproductivo.
www.p65warnings.ca.gov

Ordering Information

Part Number by Color							Description
Grey (1)	Natural (2)	White (3)	Brass (4)	Copper (5)	Pewter (6)	Bronze (7)	
LIONS							
5820501	5820502	5820503	5820504	5820505	5820506	5820507	Lion Baroque, Medium
5820601	5820602	5820603	5820604	5820605	5820606	5820607	Lion Baroque, Large
5820701	5820702	5820703	5820704	5820705	5820706	5820707	Lion Baroque, Extra Large
5820801	5820802	5820803	5820804	5820805	5820806	5820807	Lion Roman
5820901	5820902	5820903	5820904	5820905	5820906	5820907	Lion Victorian
5821001	5821002	5821003	5821004	5821005	5821006	5821007	Lion Renaissance

WALLSPRING® DECORATIVE ACCENTS (CONT'D)

Ordering Information

Part Number by Color							
Grey (1)	Natural (2)	White (3)	Brass (4)	Copper (5)	Pewter (6)	Bronze (7)	Description
LIONS CONT'D.							
5821101	5821102	5821103	5821104	5821105	5821106	5821107	Lion Monarch
5821201	5821202	5821203	5821204	5821205	5821206	5821207	Lion Sun
5821301	5821302	5821303	5821304	5821305	5821306	5821307	Lion Regal
SCONCES							
5822901	5822902	5822903	5822904	5822905	5822906	5822907	Rosette Fleur De Coeur
5823001	5823002	5823003	5823004	5823005	5823006	5823007	Sconce Fleur De Lis
5823101	5823102	5823103	5823104	5823105	5823106	5823107	Sconce Versailles
5823201	5823202	5823203	5823204	5823205	5823206	5823207	Sconce Bastion
5823301	5823302	5823303	5823304	5823305	5823306	5823307	Sconce Gothic
5823401	5823402	5823403	5823404	5823405	5823406	5823407	Sconce Rip Van Winkle
5823501	5823502	5823503	5823504	5823505	5823506	5823507	Sconce Sheet Lion
5823601	5823602	5823603	5823604	5823605	5823606	5823607	Sconce Tuscany
5823701	5823702	5823703	5823704	5823705	5823706	5823707	Sconce Corinthian
5823801	5823802	5823803	5823804	5823805	5823806	5823807	Sconce Polynesia
5823901	5823902	5823903	5823904	5823905	5823906	5823907	Sconce Sonrisa
ROSETTES							
5820301	5820302	5820303	5820304	5820305	5820306	5820307	Rosette Biscayne
5820401	5820402	5820403	5820404	5820405	5820406	5820407	Rosette Aegean
5821501	5821502	5821503	5821504	5821505	5821506	5821507	Rosette Circle Leaves
5821601	5821602	5821603	5821604	5821605	5821606	5821607	Rosette Fluted
5821701	5821702	5821703	5821704	5821705	5821706	5821707	Rosette 4pt Leaves
5821801	5821802	5821803	5821804	5821805	5821806	5821807	Rosette Scalloped
5821901	5821902	5821903	5821904	5821905	5821906	5821907	Rosette Sunflower Sml
5822001	5822002	5822003	5822004	5822005	5822006	5822007	Rosette Sunflower Lrg
5822101	5822102	5822103	5822104	5822105	5822106	5822107	Rosette Star Sml
5822201	5822202	5822203	5822204	5822205	5822206	5822207	Rosette Star Med
5822301	5822302	5822303	5822304	5822305	5822306	5822307	Rosette Oak Leaf
5822401	5822402	5822403	5822404	5822405	5822406	5822407	Rosette Art Deco
5822501	5822502	5822503	5822504	5822505	5822506	5822507	Rosette Chanterelle
5822601	5822602	5822603	5822604	5822605	5822606	5822607	Rosette Round
5822701	5822702	5822703	5822704	5822705	5822706	5822707	Rosette Sq Fern
5822801	5822802	5822803	5822804	5822805	5822806	5822807	Rosette Sq Dahlia
5824701	5824702	5824703	5824704	5824705	5824706	5824707	Rosette Basque
SHELLS							
5824001	5824002	5824003	5824004	5824005	5824006	5824007	Shell Conch
5824101	5824102	5824103	5824104	5824105	5824106	5824107	Shell Nautilus
5824201	5824202	5824203	5824204	5824205	5824206	5824207	Shell Fossil Nautilus
HAND HOLDS							
5824301	5824302	5824303	5824304	5824305	5824306	5824307	Handhold Shell
5824401	5824402	5824403	5824404	5824405	5824406	5824407	Handhold St. Lucie
5824501	5824502	5824503	5824504	5824505	5824506	5824507	Handhold St. Augustine
5824601	5824602	5824603	5824604	5824605	5824606	5824607	Handhold Lion
FIGUREHEADS							
5820001	5820002	5820003	5820004	5820005	5820006	5820007	Figurehead Neptune
5820101	5820102	5820103	5820104	5820105	5820106	5820107	Figurehead Expression
5824801	5824802	5824803	5824804	5824805	5824806	5824807	Figurehead Carp

WALLSPRING® DECORATIVE ACCENTS (CONT'D)

Dimensions and Specifications

Series #	Description	Pipe Length	Pipe Location From Center	Dimensions (W x L x D)	Shipping Dimensions	Weight (lbs.)
DIMENSIONS AND SPECIFICATIONS						
582050	Lion, Baroque Med	2 in.	Down 1-1/4 in.	7-1/2 in. x 9 in. x 4-1/8 in.	L12 in. x W12 in. x H5 in.	5.00
582060	Lion, Baroque Lg	2 in.	Down 1 in.	10-1/2 in. x 12 in. x 4-1/8 in.	L12 in. x W12 in. x H5 in.	7.00
582070	Lion, Baroque Xlg	2-3/4 in.	Down 3-1/4 in.	13-1/2 in. x 17-1/2 in. x 5-1/8 in.	L18 in. x W18 in. x H8 in.	15.00
582080	Lion, Roman	1-1/2 in.	Down 1-3/4 in.	9 in. x 11 in. x 4-1/4 in.	L12 in. x W12 in. x H5 in.	5.00
582090	Lion, Victorian	1-3/4 in.	Down 1 in.	6-1/2 in. x 6-1/2 in. x 4-1/2 in.	L12 in. x W12 in. x H5 in.	3.00
582100	Lion-Renaissance	1-1/4 in.	Down 1-1/2 in.	8 in. x 8 in. x 2-1/2 in.	L8 in. x W8 in. x H4 in.	3.00
582110	Lion-Monarch	1-1/2 in.	Center	8-1/2 in. x 11-3/4 in. x 5-1/4 in.	L12 in. x W12 in. x H5 in.	7.00
582120	Lion-Sun	1-1/2 in.	Down 1-1/2 in.	10 in. x 10 in. x 2 in.	L12 in. x W12 in. x H5 in.	5.00
582130	Lion-Regal	1-1/2 in.	Down 2 in.	8-3/4 in. x 12 in. x 4-1/4 in.	L12 in. x W12 in. x H5 in.	7.00
582300	Sconce-Fleur de Lis	3/4 in.	Down 2 in.	22 in. x 12 in. x 8 in.	L26 in. x W14 in. x H8 in.	11.00
582310	Sconce-Versailles	3/4 in.	Up 1-1/2 in.	16 in. x 12 in. x 7 in.	L18 in. x W15 in. x H8 in.	11.00
582320	Sconce-Bastion	3/4 in.	Down 1/2 in.	12 in. x 6-1/4 in. x 5-1/2 in.	L12 in. x W12 in. x H5 in.	5.00
582330	Sconce-Gothic	3/4 in.	Down 1/2 in.	12 in. x 6-1/4 in. x 5-1/2 in.	L12 in. x W12 in. x H5 in.	5.00
582340	Sconce-Rip Van	3/4 in.	Down 1 in.	7-1/2 in. x 7-1/4 in. x 3 in.	L12 in. x W12 in. x H5 in.	5.00
582350	Sconce-Sheer Lion	3/4 in.	Down 1 in.	7-1/8 in. x 9-1/8 in. x 3 in.	L12 in. x W12 in. x H5 in.	5.00
582360	Sconce-Tuscany	3/4 in.	Center	13-3/8 in. x 6-7/8 in. x 3-3/4 in.	L18 in. x W15 in. x H8 in.	7.00
582370	Sconce-Corinthian	3/4 in.	Center	9 in. x 8-1/2 in. x 4-3/4 in.	L12 in. x W12 in. x H5 in.	5.00
582380	Sconce-Polynesia	3/4 in.	Up 1/2 in.	7-1/4 in. x 7 in. x 4-1/2 in.	L8 in. x W8 in. x H4 in.	4.00
582390	Sconce-Sonrisa	3/4 in.	Center	14-1/2 in. x 7-1/4 in. x 6 in.	L18 in. x W15 in. x H8 in.	7.00
582030	Rosette-Biscayne	3/4 in.	Center	7-1/4 in. x 7-1/4 in. x 1-1/2 in.	L8 in. x W8 in. x H4 in.	4.00
582040	Rosette-Aegean	3/4 in.	Down 3/4 in.	7-1/4 in. x 7-3/4 in. x 1-1/4 in.	L8 in. x W8 in. x H4 in.	3.00
582150	Rosette-circle leaves	3/4 in.	Center	7 in. x 7 in. x 1 in.	L8 in. x W8 in. x H4 in.	3.00
582160	Rosette-fluted	1 in.	Center	8-1/2 in. x 8-1/2 in. x 1-1/2 in.	L12 in. x W12 in. x H5 in.	3.00
582170	Rosette-4 point	3/4 in.	Center	6-3/4 in. x 6-3/4 in. x 1 in.	L8 in. x W8 in. x H4 in.	3.00
582180	Rosette-scalloped	7/8 in.	Center	8 in. x 8 in. x 1-1/2 in.	L8 in. x W8 in. x H4 in.	3.00
582190	Rosette-sunflower Sm	7/8 in.	Center	8 in. x 6-1/2 in. x 1-1/4 in.	L8 in. x W8 in. x H4 in.	3.00
582200	Rosette-sunflower Lg	1-3/4 in.	Center	14 in. x 11-1/2 in. x 2 in.	L18 in. x W15 in. x H8 in.	8.00
582210	Rosette-Star Sm	1/2 in.	Center	4-1/2 in. x 4-1/2 in. x 1 in.	L8 in. x W8 in. x H4 in.	2.00
582220	Rosette-Star Med	3/4 in.	Center	6-3/4 in. x 6-3/4 in. x 1 in.	L8 in. x W8 in. x H4 in.	3.00
582230	Rosette-Oak Leaf	3/4 in.	Center	4-3/4 in. x 4-3/4 in. x 1-1/4 in.	L8 in. x W8 in. x H4 in.	3.00
582240	Rosette-Art Deco	1 in.	Center	5-3/4 in. x 5-3/4 in. x 2-1/4 in.	L8 in. x W8 in. x H4 in.	3.00
582250	Rosette-Chanterelle	3/4 in.	Center	6-1/4 in. x 8-3/4 in. x 1 in.	L12 in. x W12 in. x H5 in.	3.00
582260	Rosette-Round	3/4 in.	Center	8-1/2 in. x 8-1/2 in. x 1 in.	L12 in. x W12 in. x H5 in.	5.00
582270	Rosette-Sq. Fern	1/2 in.	Center	10-3/4 in. x 10-3/4 in. x 1-1/4 in.	L12 in. x W12 in. x H5 in.	5.00
582280	Rosette-Sq. Dahlia	3/4 in.	Center	10-3/4 in. x 10-3/4 in. x 1-1/4 in.	L12 in. x W12 in. x H5 in.	5.00
582290	Rosette-Fleur de Coeur	3/4 in.	Up 1 in.	9 in. x 7 in. x 4 in.	L12 in. x W12 in. x H5 in.	4.00
582470	Rosette-Basque	3/4 in.	Center	7-1/4 in. x 7-1/4 in. x 1 in.	L12 in. x W12 in. x H5 in.	2.50
582400	Shell-Conch	1/2 in.	Right 1 in.	5-1/2 in. x 7 in. x 3 in.	L8 in. x W8 in. x H4 in.	3.00
582410	Shell-Nautilus	1/2 in.	Down 1-1/4 in.	3 in. x 6 in. x 3-1/2 in.	L8 in. x W8 in. x H4 in.	3.00
582420	Shell-Fossil Nautilus	3/4 in.	Down 1 in.	8-1/4 in. x 7 in. x 2 in.	L12 in. x W12 in. x H5 in.	3.00
582430	Handhold-Shell	N/A	N/A	7-1/4 in. x 6 in. x 2 in.	L8 in. x W8 in. x H4 in.	3.00
582440	Handhold-St. Lucie	N/A	N/A	6 in. x 6 in. x 2 in.	L8 in. x W8 in. x H4 in.	3.00
582450	Handhold-St Augustine	N/A	N/A	6 in. x 6 in. 2-1/2 in.	L8 in. x W8 in. x H4 in.	3.00
582460	Handhold-Lion	N/A	N/A	6 in. x 6 in. x 2-1/2 in.	L8 in. x W8 in. x H4 in.	2.00
582000	Figurehead-Neptune	1-3/4 in.	Down 2-1/2 in.	10-1/2 in. x 11-1/4 in. x 3 in.	L12 in. x W12 in. x H5 in.	7.00
582010	Figurehead-Expression	1 in.	Down 1-1/4 in.	4-1/2 in. x 5-1/2 in. x 2 in.	L8 in. x W8 in. x H4 in.	2.00
582480	Figurehead-Carp	1 in.	Down 1/2 in.	9-1/4 in. x 6-3/4 in. x 3-1/2 in.	L12 in. x W12 in. x H5 in.	4.00

DECK JET & MAGICSTREAM® DECK JET II

TRADEGRADE



Deck Jet



MagicStream Deck Jet II

Featured Highlights

Deck Jet

- Deck Jet includes five interchangeable water effect eyeballs that are easy to remove and simple to change. Also Includes construction shield.
- Streams reach to eight feet, and direction can be easily adjusted
- Low water pressure requirement for minimum impact on pump performance

MagicStream Deck Jet II

- Height is adjustable to a maximum of six feet. Water direction is adjustable up to 360 degrees.
- Easy-to adjust nozzles enable your creativity: concentrate all streams into a single entry point, overlap streams of different heights, or create a symmetrical, multi-stream archway...and more
- Quality design assures low water flow requirements and eliminates any concerns about standing water or unwanted debris collection
- Attractive installation with no unsightly or unsafe edges or screws

CALIFORNIA PROPOSITION 65 WARNING

⚠ **WARNING:** Cancer and Reproductive Harm.
 ⚠ **AVERTISSEMENT:** Peut Causer le Cancer et des Dommages au Système Reproducteur.
 ⚠ **ADVERTENCIA:** Cáncer y Daño Reproductivo.
www.p65warnings.ca.gov

Deck Jet water effects can be cast into concrete decks and gunite pool walls, mounted in the sidewall of aboveground and vinyl-lined pools, or blended into surrounding landscapes.

MagicStream Deck Jet II creates a graceful arc of water that enters the pool with a gentle splash. The stream seems to appear magically from the pool deck since the jet installs flush and out of sight.

Ordering Information

Product	Description	Carton Qty.	Carton Wt.
DECK JET			
580000	Deck Jet	1	1
MAGICSTREAM DECK JET II			
580003	Magic Stream Deck Jet II	4	3



WHITE GOODS

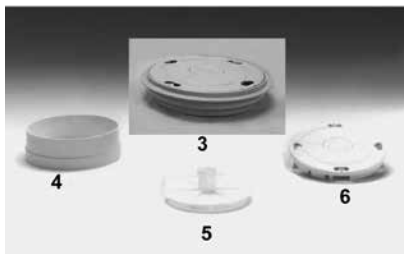


ADMIRAL™ S15 AND S20 SKIMMERS

ADMIRAL SKIMMERS FOR POOLS AND SPAS



Admiral Skimmers



Admiral Skimmer Accessories

Admiral S15 Skimmers offer a variety of bases and throats for a wide variety of plumbing and construction requirements, configurations and materials. These skimmers have an innovative lock-down lid that can be personalized with custom logo disks. S15 Skimmers are injection molded of high strength ABS and are available with a flap weir for superior skimming action.

Admiral S20 Skimmers have a PVC reinforced twin port base. S20 may be purchased with equalizer for commercial and NSF applications or for when the second port is connected to the main drain. All models include the innovative lock down lid that can be personalized with custom logo disks and are available with a flap weir or the exclusive circular weir for superior skimming action.

Featured Highlights

- Admiral 15 Skimmers: High strength ABS body
- Admiral S20 Skimmers: Reinforced PVC base
- Slip FIPT, 1-1/2 inch or 2 inch
- Variety of throat lengths
- Easy to install
- Innovative lock down lid
- 1-1/2 inch and 2 inch ports
- Lid extension collars
- Flap weir or the exclusive circular weir
- Custom logo disk available

Ordering Information

Product	Description	Carton Qty.	Carton Wt. (Lbs.)
S15 SKIMMERS FOR CONCRETE CONSTRUCTION			
84120100	S15, circ. weir, 1-1/2 in., threaded	1	10
84120200	S15, circ. weir, 2 in., threaded	1	10
84900300	S15, flap weir, 1-1/2 in., threaded	1	10
S15 SKIMMERS FOR VINYL CONSTRUCTION			
84151500	S15, OM circ. weir, 1-1/2 in., threaded short throat	1	10
84141100	S15, circ. weir, 1-1/2 in., threaded short throat	1	10
S20 SKIMMERS FOR CONCRETE CONSTRUCTION			
84420405	S20, flap weir, no equalizer, 1-1/2 in. slip	1	10
84420500	S20, circ. weir, equalizer, 2 in. threaded, FIPT ¹	1	12
84420505	S20, circ. weir, equalizer, 2 in. slip ¹	1	12
84420530	S20, circ. weir, equalizer, 2 in. threaded, tan ¹	1	12
84420535	S20, circ. weir, equalizer, 2 in. slip, tan ¹	1	12
84420730	S20, circ. weir, 2 in. threaded, tan	1	10
84420735	S20, circ. weir, 2 in. slip, tan	1	10
84420600	S20, flap weir, equalizer, 2 in. threaded, FIPT ¹	1	12
84420605	S20, flap weir, equalizer, 2 in. slip ¹	1	12
84420630	S20, flap weir, equalizer, 2 in. threaded, tan ¹	1	12
84420635	S20, flap weir, equalizer, 2 in. slip, tan ¹	1	12
84420700	S20, circ. weir, no equalizer, 2 in. threaded, FIPT	1	10
84420705	S20, circ. weir, no equalizer, 2 in. slip	1	10
84420800	S20, flap weir, no equalizer, 2 in. threaded, FIPT	1	10
84420805	S20, flap weir, no equalizer, 2 in. slip	1	10
84420730	S20, circ. weir, 2 in. threaded, tan	1	10
84420735	S20, circ. weir, 2 in. slip, tan	1	10
S20 SKIMMERS FOR VINYL LINER POOLS			
84452200	S20S flap weir, equalizer, XLG std. 1-1/2 in. threaded, short throat 8-3/4 in. ¹	1	10
84472400	S20L flap weir, XLG std. 1-1/2 in. threaded, long throat 13 in.	1	10
S20 SKIMMERS FOR FIBERGLASS POOLS			
500023	S20, "WEDGE" flap weir, equalizer, 2 in. slip ¹	1	10

¹ NSF listed for commercial installation. Check valve 506162 must be purchased separately.

ADMIRAL™ S15 & S20 SKIMMERS (CONT'D)

506162	Equalizer check valve	1	0.25
85018000	Lid with ring seat, S15 & S20, 9 in. beige	1	1
85002300	Extension collar for ring seat, adjustable to 3 in.	1	0.50
85001900	Vacuum plate adapter, S15 & S20	1	0.50
85007400Z	Lock down lid for existing Admiral skimmers, white	1	0.50
85007411	Lock down lid for existing Admiral skimmers, black	1	0.50
85007413	Lock down lid for existing Admiral skimmers, gray	1	0.50
85007430	Lock down lid for existing Admiral skimmers, tan	1	0.50
85000400	Lid/collar set, white	1	0.50
85000411	Lid/collar set, black	1	0.50

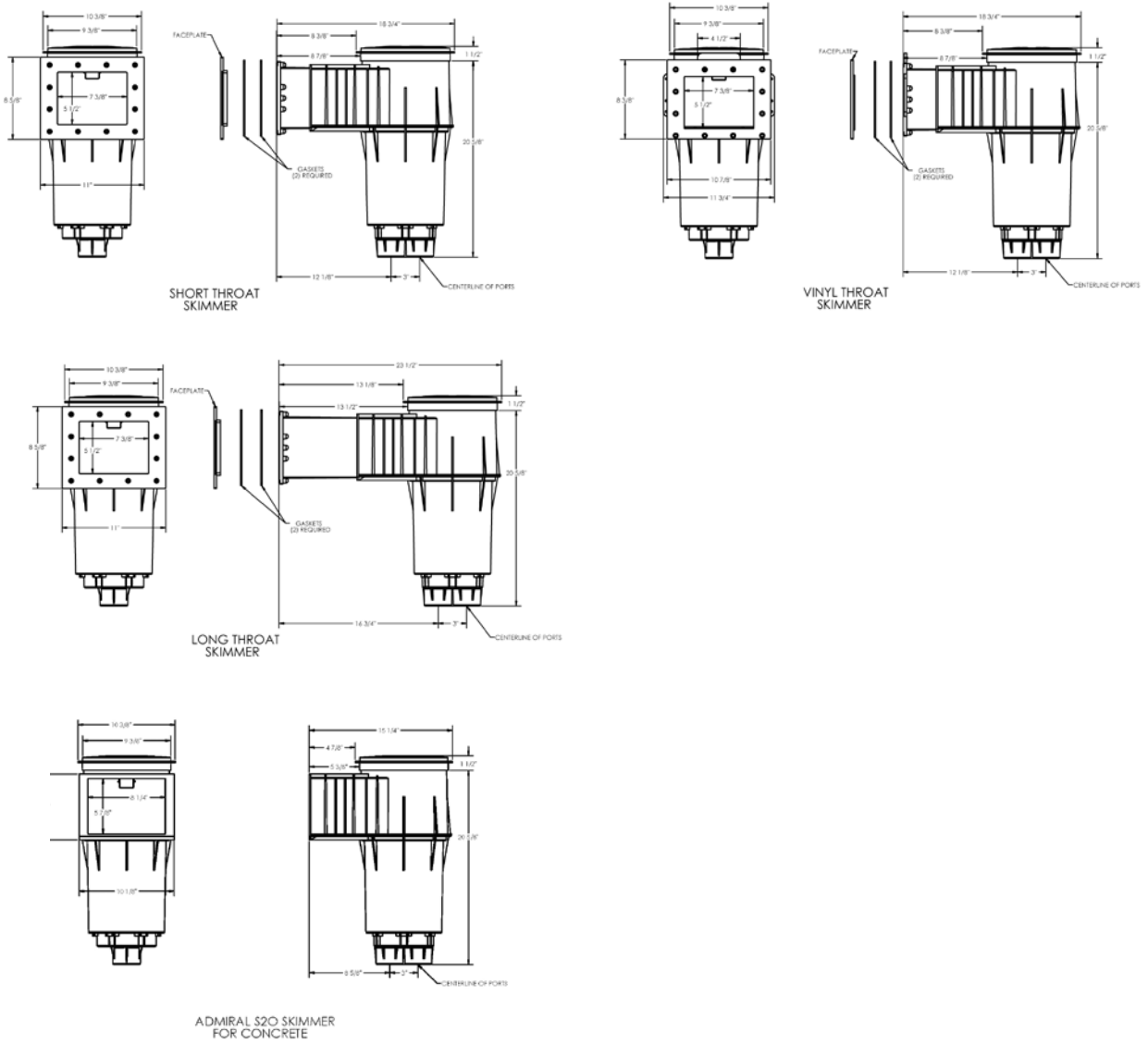
CALIFORNIA PROPOSITION 65 WARNING
 ⚠️ **WARNING:** Cancer and Reproductive Harm.
 ⚠️ **AVERTISSEMENT:** Peut Causer le Cancer et des Dommages au Système Reproducteur.
 ⚠️ **ADVERTENCIA:** Cáncer y Daño Reproductivo.
www.p65warnings.ca.gov PA820754

Dimensions and Performance



Certified to NSF/ANSI Standard 50

ADMIRAL S20 SKIMMER PROFILE



See pages 592 for replacement parts.

BERMUDA™ SKIMMERS

SKIMMERS FOR GUNITE POOLS, VINYL LINER AND FIBERGLASS POOLS

Featured Highlights

Choose among the following configurations:

- ABS or PVC
- White, black and tan colors available
- 1-1/2 in. or 2 in. slip or threaded ports
- Optional equalizer valve

Bermuda Skimmers feature a heavy-duty one-piece construction with sturdy external ribbing for superior strength. All Bermuda Skimmers for vinyl liner and fiberglass pools are made from ABS plastic.



Vinyl/Fiberglass Skimmer

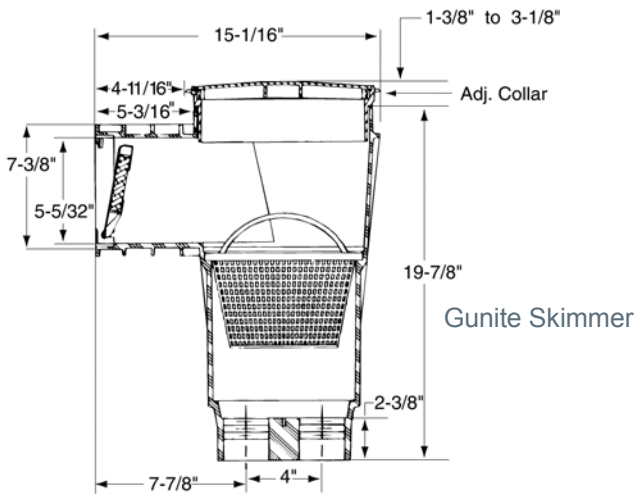


Gunite Skimmer

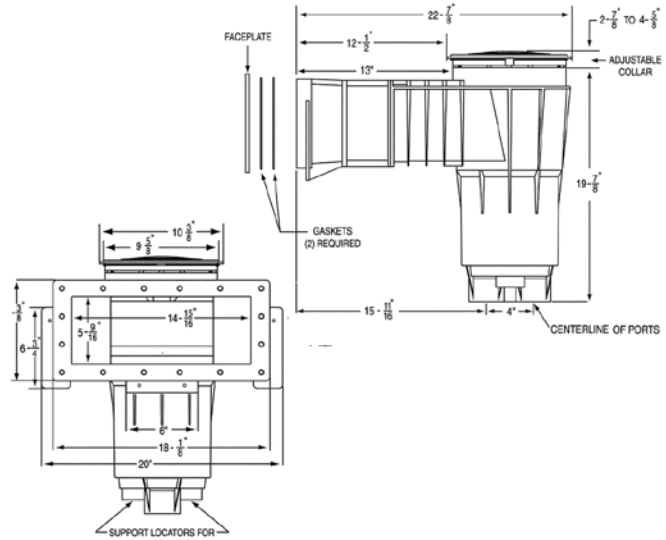
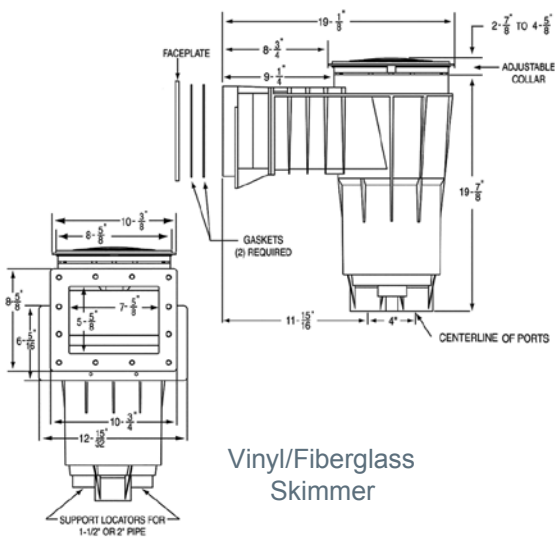


Wide-mouth Vinyl/
Fiberglass Skimmer

Dimensions and Performance

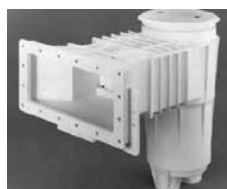


CALIFORNIA PROPOSITION 65 WARNING
 ⚠️ **WARNING:** Cancer and Reproductive Harm.
 ⚠️ **AVERTISSEMENT:** Peut Causer le Cancer et des Dommages au Système Reproducteur.
 ⚠️ **ADVERTENCIA:** Cáncer y Daño Reproductivo.
www.p65warnings.ca.gov P652014



BERMUDA™ SKIMMERS (CONT'D)

Ordering Information



Product	Description	Material Type	Carton Qty.	Carton Wt. (Lbs.)
GUNITE SKIMMERS				
506300	2 in. Slip ports, white	PVC	1	10
506301	2 in. Threaded ports, white	PVC	1	10
506302	2 in. Slip ports, tan	PVC	1	10
506304	1-1/2 in. Slip ports, white	PVC	1	10
506361	2 in. Slip ports, white	ABS	1	10
506362	2 in. Threaded ports, white	ABS	1	10
506363	1-1/2 in. Slip ports, white	ABS	1	10
506364	1-1/2 in. Threaded ports, white	ABS	1	10
506365	2 in. Slip ports, black	ABS	1	10
GUNITE SKIMMERS WITH FLOAT VALVE ASSEMBLY				
506382	2 in. Slip ports, tan	ABS	1	10
506308	2 in. Slip ports with float valve, white	PVC	1	10
506309	2 in. Threaded ports with float valve, white	PVC	1	10
506310	2 in. Slip ports, tan	PVC	1	10
GUNITE SKIMMERS WITH FLOAT VALVE & EQUALIZER VALVE ASSEMBLY				
506370	2 in. slip ports, white ¹ (BKG)	PVC	1	10
506380	2 in. slip ports, white ¹ (ABKG)	ABS	1	10
506381	2 in. threaded ports, white ¹ (ABKG)	ABS	1	10
VINYL/FIBERGLASS SKIMMER				
506420	1-1/2 in. Slip ports, white	ABS	1	10
506421	1-1/2 in. Threaded ports, white	ABS	1	10
506480	1-1/2 in. Threaded ports, black	ABS	1	10
WIDE-MOUTH SKIMMER FOR VINYL LINER & FIBERGLASS POOLS				
506520	1-1/2 in. Slip ports, white	ABS	1	10
506521	1-1/2 in. Threaded ports, white	ABS	1	10
506581	1-1/2 in. Threaded ports, black	ABS	1	10

¹ NSF listed.



A



B



F



E

Item	Product	Description	Carton Wt. (Lbs.)
BERMUDA ACCESSORIES			
A	506160	Float valve assembly	1
B	506161	Vacuum plate/insert assembly, white	0.50
C	506162	Equalizer valve assembly	1.3
E	516253	Gunite extension collar, white, 3-1/8 in. length	0.20
E	516258	Gunite extension collar, tan, 3-1/8 in. length	0.60
E	516329	Gunite extension collar, black, 3-1/8 in. length	0.60
F	510327	Deck lid and collar assembly with screws, dark gray	1.3
F	510332	Deck lid, dark gray	0.50
F	516215	Deck lid, white	0.50
F	516216	Deck lid, tan	0.50
F	516254	Deck lid and collar assembly with screws, white	1.3
F	516261	Deck lid and collar assembly with screws, tan	1.3
F	516306	Deck lid, black	0.50
F	516328	Deck lid and collar assembly with screws, black	1.3

CALIFORNIA PROPOSITION 65 WARNING

⚠ WARNING: Cancer and Reproductive Harm.
⚠ AVERTISSEMENT: Peut Causer le Cancer et des Dommages au Système Reproducteur.
⚠ ADVERTENCIA: Cáncer y Daño Reproductivo.
www.p65warnings.ca.gov

See pages 593 for replacement parts.

U-3 SKIMMERS

SWIMQUIP INGROUND SKIMMERS



Ordering Information

Product	Description	Carton Qty.	Carton Wt. (Lbs.)
SKIMMERS FOR CONCRETE POOLS			
08650-1403	U-3 Skimmer White w/ White Lid & Frame, 2 in. NPT with 1-1/2 in. NPT Reducers; Incl. Float and Check Valve, Basket ¹	48	10
08650-3403	U-3 Skimmer Gray w/ Gray Lid & Frame, 2 in. NPT with 1-1/2 in. NPT Reducers; Incl. Float and Check Valve, Basket; NSF ¹	48	10
08650-3403E	U-3 Skimmer Gray, w/ Tan Lid & Frame, 2 in. NPT with 1-1/2 in. NPT Reducers; Incl. Float and Check Valve, Basket; NSF ¹	48	10
08650-2403	U-3 Skimmer White w/ Tan Lid & Frame, 2 in. NPT with 1-1/2 in. NPT Reducers; Incl. Float and Check Valve, Basket ¹	48	10
08650-1404	U-3 Skimmer White w/ White Lid & Frame, 2 in. Slip with 1-1/2 in. Slip Reducers; Incl. Float and Check Valve, Basket ¹	48	10
08650-3404	U-3 Skimmer Gray w/ Gray Lid & Frame, 2 in. Slip with 1-1/2 in. Slip Reducers; Incl. Float and Check Valve, Basket; NSF ¹	48	10
08650-3404E	U-3 Skimmer Gray, w/ Tan Lid & Frame, 2 in. Slip with 1-1/2 in. Slip Reducers; Incl. Float and Check Valve, Basket; NSF ¹	48	10
08650-2404	U-3 Skimmer White w/ Tan Lid & Frame, 2 in. Slip with 1-1/2 in. Slip Reducers; Incl. Float and Check Valve, Basket ¹	48	10
08650-4403	U-3 Skimmer White w/ White Lid & Frame, 2 in. NPT with 1-1/2 in. NPT Reducers; Incl. Basket w/o float	48	9
08650-6403	U-3 Skimmer Gray w/ Gray Lid & Frame, 2 in. NPT with 1-1/2 in. NPT Reducers; Incl. Basket w/o float	48	9
08650-6403E	U-3 Skimmer Gray, w/ Tan Lid & Frame, 2 in. NPT with 1-1/2 in. NPT Reducers; Incl. Basket w/o float	48	9
08650-5403	U-3 Skimmer White w/ Tan Lid & Frame, 2 in. NPT with 1-1/2 in. NPT Reducers; Incl. Basket w/o float	48	9
08650-4404	U-3 Skimmer White w/ White Lid & Frame, 2 in. Slip with 1-1/2 in. Slip Reducers; Incl. Basket w/o float	48	9
08650-6404	U-3 Skimmer Gray w/ Gray Lid & Frame, 2 in. Slip with 1-1/2 in. Slip Reducers; Incl. Basket w/o float	48	9
08650-6404E	U-3 Skimmer Gray w/ Tan Lid & Frame, 2 in. Slip with 1-1/2 in. Slip Reducers; Incl. Basket w/o float	48	9
08650-5404	U-3 Skimmer White w/ Tan Lid & Frame, 2 in. Slip with 1-1/2 in. Slip Reducers; Incl. Basket w/o float	48	9
SKIMMERS FOR VINYL POOLS			
09655-1403	Vinyl Skimmer – White; 2 in. NPT with 1-1/2 in. NPT Reducers	32	10
09655-1404	Vinyl Skimmer – White; 2 in. Slip with 1-1/2 in. Slip Reducers	32	10
09655-2403	Vinyl Skimmer – White w/ Tan Lid & Frame; 2 in. NPT with 1-1/2 in. NPT Reducers	32	10
09655-2404	Vinyl Skimmer – White w/ Tan Lid & Frame; 2 in. Slip with 1-1/2 in. Slip Reducers	32	10
09655-0010	Skimmer Mount Space Block (for vinyl pools only)	32	0.25



¹ NSF Certified. Only skimmers with Float Valve assemblies are NSF approved.

Note: All U-3 Skimmers are made with high strength ABS plastic.

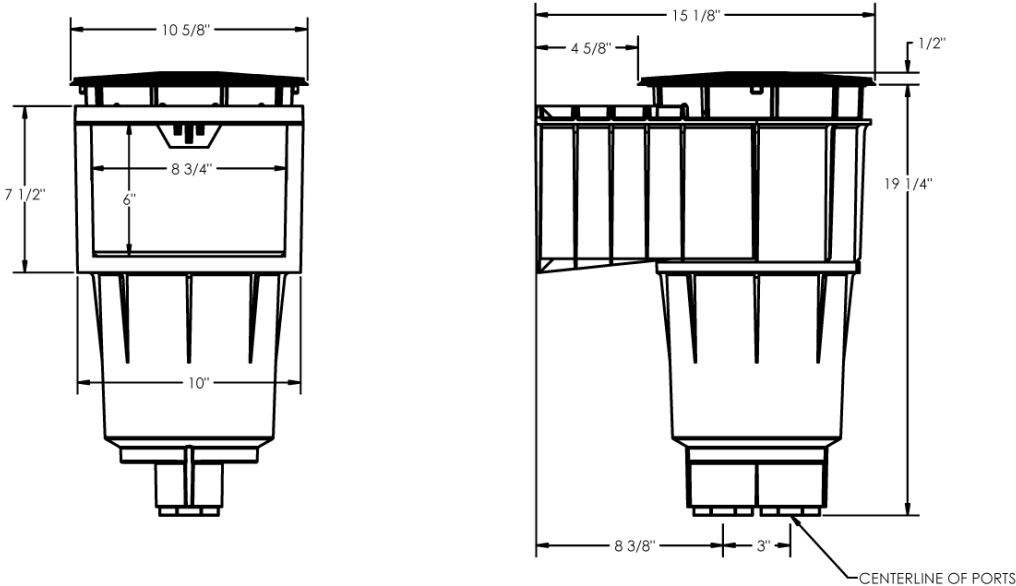
CALIFORNIA PROPOSITION 65 WARNING

⚠ **WARNING:** Cancer and Reproductive Harm.
 ⚠ **AVERTISSEMENT:** Peut Causer le Cancer et des Dommages au Système Reproducteur.
 ⚠ **ADVERTENCIA:** Cáncer y Daño Reproductivo.
www.p65warnings.ca.gov

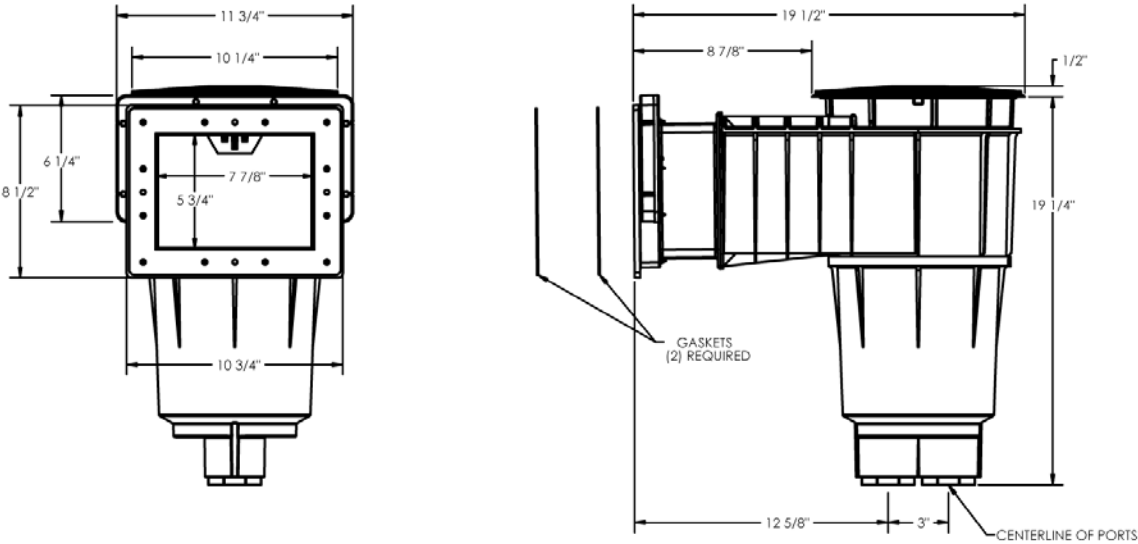
U-3 SKIMMERS (CONT'D)

Dimensions and Performance

U3 Skimmer for concrete



U3 Skimmer for vinyl



See page 594 for replacement parts.

REPLACEMENT SKIMMER LIDS WITH AND WITHOUT THERMOMETERS



Skimmer Lids with Thermometers

Skimmer thermometers eliminate misplacement, theft and breakage problems sometimes seen with floating thermometers. The hermetically sealed face is built for strength and weather resistance. The outside temperature will not affect the performance of the thermometer.

Featured Highlights

- Safe and convenient
- Lids are available in 3 colors to blend with the pool environment
- Available to fit Pentair Aquatic Systems and other popular skimmer brands

CALIFORNIA PROPOSITION 65 WARNING

⚠ **WARNING:** Cancer and Reproductive Harm.
 ⚠ **AVERTISSEMENT:** Peut Causer le Cancer et des Dommages au Système Reproducteur.
 ⚠ **ADVERTENCIA:** Cáncer y Daño Reproductivo.
www.p65warnings.ca.gov

Ordering Information

Product	Description	Carton Qty.	Carton Wt. (Lbs.)
SKIMMER LIDS WITH THERMOMETER			
L1	SwimQuip, Swimrite, Jacuzzi® (New Style), Hayward®, 9-7/8 in., white	1	3/4
L1B	SwimQuip, Swimrite, Jacuzzi (New Style), Hayward, 9-7/8 in., almond	1	3/4
L1G	SwimQuip, Swimrite, Jacuzzi (New Style), Hayward, 9-7/8 in., gray	1	3/4
L2	Baker Hydro®, 9-7/8 in., white	1	3/4
L3	Hayward, Square, 10 in. x 10 in., white	1	3/4
L4B	Pentair Aquatic Systems, 9-3/16 in. round, almond	1	3/4
L4G	Pentair Aquatic Systems, 9-3/16 in. round, gray	1	3/4
L4W	Pentair Aquatic Systems, 9-3/16 in. round, white	1	3/4
L5	Pentair Aquatic Systems, (Old Style), 8-3/8 in., white	1	3/4
L6B	Pentair Aquatic Systems, Bermuda, 9-1/4 in., almond	1	3/4
L6G	Pentair Aquatic Systems, Bermuda, 9-1/4 in., gray	1	3/4
L6W	Pentair Aquatic Systems, Bermuda, 9-1/4 in., white	1	3/4
SKIMMER LIDS WITHOUT THERMOMETER			
L1RW	SwimQuip, Swimrite, Jacuzzi, Hayward (New Style), 9-7/8 in., white	1	3/4
L1RG	SwimQuip, Swimrite, Jacuzzi, Hayward (New Style), 9-7/8 in., gray	1	3/4
L1RB	SwimQuip, Swimrite, Jacuzzi, Hayward (New Style), 9-7/8 in., almond	1	3/4
L2R	Baker, Hydro, 9-7/8 in., white	1	3/4
L4RW	American Products, 9-3/16 in. round, white	1	3/4
L4RG	American Products, 9-3/16 in. round, gray	1	3/4
L4RB	American Products, 9-3/16 in. round, almond	1	3/4
L5R	Pentair Aquatic Systems (Old Style), 8-3/8 in., white	1	3/4
L6RW	Pentair Aquatic Systems, Bermuda, 9-1/4, white	1	3/4
L6RG	Pentair Aquatic Systems, Bermuda, 9-1/4, gray	1	3/4
L6RB	Pentair Aquatic Systems, Bermuda, 9-1/4, almond	1	3/4

Jacuzzi® is a registered trademark of Jacuzzi, Inc.; Hayward® is a registered trademark of Hayward Industries, Inc.; Baker Hydro® is a registered trademark of Waterco USA DBA Baker Hydro Corp.

GUTTER DRAINS

DRAINS AND FITTINGS

Featured Highlights

Pentair gutter drains come with an extra deep socket connection

CALIFORNIA PROPOSITION 65 WARNING
 ⚠️ **WARNING:** Cancer and Reproductive Harm.
 ⚠️ **AVERTISSEMENT:** Peut Causer le Cancer et des Dommages au Système Reproducteur.
 ⚠️ **ADVERTENCIA:** Cáncer y Daño Reproductivo.
www.p65warnings.ca.gov PK320174



540064



542038

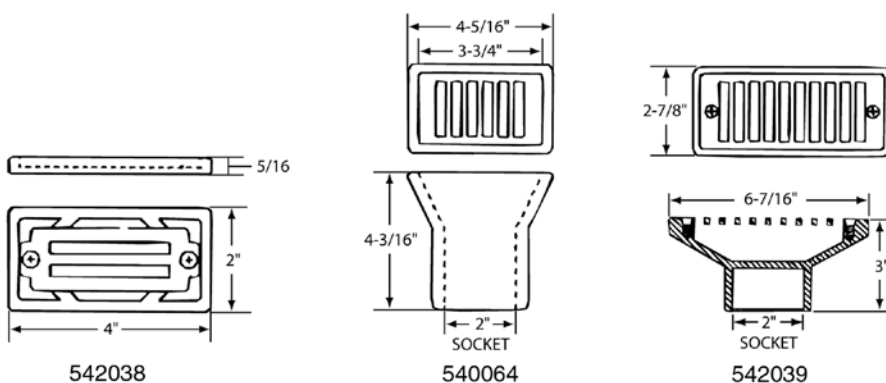


542039

Ordering Information

Product	Description	Flow Rate (GPM)	Open Area (Sq. In.)	Carton Qty.
GUTTER DRAINS				
540063	2 in. x 4 in. gutter drain & grate, white	14.5 @ 1-1/2 ft./sec.	3.09	50
540064	2 in. x 4 in. gutter drain & grate, black	14.5 @ 1-1/2 ft./sec.	3.09	50
540065	2 in. x 4 in. gutter drain & grate, dark gray	14.5 @ 1-1/2 ft./sec.	3.09	50
542038	2 in. x 4 in. 3-bar frame & grate, white	8.0 @ 1-1/2 ft./sec.	1.71	500
542039	2-1/2 in. x 6 in. gutter drain & grate, white	22.5 @ 1-1/2 ft./sec.	4.81	24
542146	2 in. x 4 in. grate (hi-style), white	14.5 @ 1-1/2 ft./sec.	3.09	500
552511	2 in. x 4 in. grate (fits 540063, 542037)	14.5 @ 1-1/2 ft./sec.	3.09	500

Dimensions and Performance



STARGUARD® MAIN DRAINS

MAIN DRAIN FRAME AND GRATE

StarGuard Main Drains comply with provisions of the ANSI/APSP-16 2011 standard and the Virginia Graeme Baker Pool and Spa Safety Act. High quality StarGuard main drains are available in white, black, gray, and dark gray as well as a variety of configurations to fit most residential inground pool or spa installations. StarGuard main drains have an industry leading 15.35 square inches of open area for water flow and allow flow rates up to 72 GPM at 1-1/2 ft./sec.

Featured Highlights

- Improved 8 in. Round Main Drain
- Available in Multiple Colors
- Compliant with the Virginia Graeme Baker Act

CALIFORNIA PROPOSITION 65 WARNING

⚠️ **WARNING:** Cancer and Reproductive Harm.
 ⚠️ **AVERTISSEMENT:** Peut Causer le Cancer et des Dommages au Système Reproducteur.
 ⚠️ **ADVERTENCIA:** Cáncer y Daño Reproductivo.
www.p65warnings.ca.gov PH 201514

Ordering Information

Product	Description	Flow Rate Floor (GPM)	Flow Rate Wall (GPM)	Open Area (Sq. In.)
8 IN. STARGUARD COVER WITH LONG RING				
500108	8 in. StarGuard cover w/ long ring (single), white	144	112	15.35
500100	8 in. StarGuard cover w/ long ring (single), black	144	112	15.35
500101	8 in. StarGuard cover w/ long ring (single), dark gray	144	112	15.35
500102	8 in. StarGuard cover w/ long ring (single), gray	144	112	15.35
500140	8 in. StarGuard cover w/ long ring (2 pack), white	144	112	15.35
500141	8 in. StarGuard cover w/ long ring (2 pack), black	144	112	15.35
500142	8 in. StarGuard cover w/ long ring (2 pack), dark gray	144	112	15.35
500143	8 in. StarGuard cover w/ long ring (2 pack), gray	144	112	15.35
8 IN. STARGUARD COVER WITH SHORT RING AND COVER				
500103	8 in. StarGuard cover w/ short ring (single), white	144	112	15.35
500104	8 in. StarGuard cover w/ short ring (single), black	144	112	15.35
500105	8 in. StarGuard cover w/ short ring (single), dark gray	144	112	15.35
500106	8 in. StarGuard cover w/ short ring (single), gray	144	112	15.35
500144	8 in. StarGuard cover w/ short ring (2 pack), white	144	112	15.35
500145	8 in. StarGuard cover w/ short ring (2 pack), black	144	112	15.35
500146	8 in. StarGuard cover w/ short ring (2 pack), dark gray	144	112	15.35
500147	8 in. StarGuard cover w/ short ring (2 pack), gray	144	112	15.35
8 IN. STARGUARD DRAIN WITH 2 IN. SIDE AND 1-1/2 IN. BOTTOM PORTS ABS SUMP WITH RING AND COVER				
500110	8 in. StarGuard drain w/ 2 in. side & 1-1/2 in. bottom ports ABS sump w/ ring & cover (2 pack), white	144	112	15.35
500111	8 in. StarGuard drain w/ 2 in. side & 1-1/2 in. bottom ports ABS sump w/ ring & cover (2 pack), black	144	112	15.35
500113	8 in. StarGuard drain w/ 2 in. side & 1-1/2 in. bottom ports ABS sump w/ ring & cover (2 pack), dark gray	144	112	15.35
500114	8 in. StarGuard drain w/ 2 in. side & 1-1/2 in. bottom ports ABS sump w/ ring & cover (2 pack), gray	144	112	15.35

STARGUARD® MAIN DRAINS (CONT'D)

Product	Description	Flow Rate Floor (GPM)	Flow Rate Wall (GPM)	Open Area (Sq. In.)
8 IN. STARGUARD DRAIN WITH 2 IN. SIDE PORT ABS SUMP WITH RING AND COVER				
500115	8 in. StarGuard drain w/ 2 in. side port ABS sump w/ ring & cover (2 pack), white	144	112	15.35
500116	8 in. StarGuard drain w/ 2 in. side port ABS sump w/ ring & cover (2 pack), black	144	112	15.35
500117	8 in. StarGuard drain w/ 2 in. side port ABS sump w/ ring & cover (2 pack), dark gray	144	112	15.35
500118	8 in. StarGuard drain w/ 2 in. side port ABS sump w/ ring & cover (2 pack), gray	144	112	15.35
8 IN. STARGUARD DRAIN WITH DUAL 2 IN. BOTTOM PORTS ABS SUMP AND COVER				
500120	8 in. StarGuard drain w/ dual 2 in. bottom ports ABS sump & cover (2 pack), white	144	112	15.35
500121	8 in. StarGuard drain w/ dual 2 in. bottom ports ABS sump & cover (2 pack), black	144	112	15.35
500122	8 in. StarGuard drain w/ dual 2 in. bottom ports ABS sump & cover (2 pack), dark gray	144	112	15.35
500123	8 in. StarGuard drain w/ dual 2 in. bottom ports ABS sump & cover (2 pack), gray	144	112	15.35
8 IN. STARGUARD DRAIN WITH 2 IN. SIDE AND 1-1/2 IN. BOTTOM VINYL LINER ABS SUMP				
500130	8 in. StarGuard drain w/ 2 in. side & 1-1/2 in. bottom vinyl liner ABS sump (2 pack), white	144	112	15.35



500108
8 in. StarGuard cover
w/ long ring



500103
8 in. StarGuard cover
w/ short ring



500110
8 in. StarGuard drain w/ 2 in.
side & 1-1/2 in. bottom ports ABS
sump w/ ring & cover



500115
8 in. StarGuard drain
w/ 2 in. side port ABS
sump w/ ring & cover



500120
8 in. StarGuard drain w/
dual 2 in. bottom ports
ABS sump & cover



500130
8 in. StarGuard drain w/ 2
in. side & 1-1/2 in. bottom
vinyl liner ABS sump

See page 598 for replacement parts.

POOL SPECIALTY FITTINGS

Pentair plumbing unions are available in a wide variety of configurations. Specialty fittings such as the snap lock wall fitting, anchor cup and rope hooks and the molded recessed steps are designed for ease of installation. Deck valve lid and ring allow for access to under deck valves and fittings. These fittings are manufactured to Pentair's high standards.

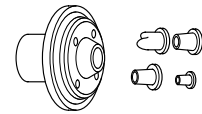
CALIFORNIA PROPOSITION 65 WARNING
 ⚠️ **WARNING:** Cancer and Reproductive Harm.
 ⚠️ **AVERTISSEMENT:** Peut Causer le Cancer et des Dommages au Système Reproducteur.
 ⚠️ **ADVERTENCIA:** Cáncer y Daño Reproductivo.
 www.p65warnings.ca.gov. #9.202114

Ordering Information

Product	Description	Carton Qty.	Carton Wt. (Lbs.)
ENERGY EFFICIENT FITTINGS			
178741	Sweep Elbow, PVC, White, 2-1/2 in. Socket, 3 in. Spigot. W=75	1	0.92
COMPLETE INSIDER WALL INLET FITTINGS FOR CONCRETE POOLS			
08428-0000	1-1/4 in. Slip, 3/16 in., 1/2 in., 3/4 in., 90° Nozzles, white	1	0.50
08429-0000	1-1/2 in. Slip, 3/16 in., 1/2 in., 3/4 in., 90° Nozzles, white	1	0.50
08428-0100	1-1/4 in. Slip, 3/16 in., 1/2 in., 3/4 in., 90° Nozzles, dark gray	1	0.50
08429-0100	1-1/2 in. Slip, 3/16 in., 1/2 in., 3/4 in., 90° Nozzles, dark gray	1	0.50
EYEBALL INSIDER INLET FITTINGS			
08434-0000	1-1/2 in. Slip, 1/2 in., 3/4 in., 90° Nozzles, white	1	0.50
08434-0100	1-1/2 in. Slip, 1/2 in., 3/4 in., 90° Nozzles, dark gray	1	0.50
VINYL POOL FITTINGS			
08430-0050	1-1/2 in. NPT body PVC, white	1	1.
08430-0000	1-1/2 in. Slip body PVC, white	1	1.
HYDROSTATIC RELIEF VALVE			
07017-0151	1-1/2 in. NPT hydrostatic valve		0.2
07017-0158	2 in. NPT hydrostatic valve		0.2
ALL PURPOSE PLUGS			
195830	2 in. plug with O-ring		100
552612	1-1/2 in. flush plug, white		100
552614	1-1/2 in. flush plug, black		100
552622	1-1/2 in. plug with O-ring, white		100
552624	1-1/2 in. plug with O-ring, black		100
SPECIAL EYEBALL FITTINGS			
86204200	Reducer adapter, 1-1/2 in. o.d. x 1 in. slip, 1 in., white	50	10
86204211	Reducer adapter, 1-1/2 in. o.d. x 1 in. slip, 1 in., black	50	10
86204215	Reducer adapter, 1-1/2 in. o.d. x 1 in. slip, 1 in., dark gray	50	10
JETS FOR CONCRETE INSTALLATION			
46540000	Venturi Jet, 5/16 in. nozzle, 1/2 in. socket air x 1-1/2 in. socket water, 1-1/2 in. socket return	40	20
46540100	Venturi Jet, 1/2 in. nozzle	40	20



Sweep Elbow, PVC



Wall Inlet Fittings



Eyeball Inlet Fittings



Hydrostatic Relief Valve



2 in. Plug with O-Ring



46540000



46550000



86204200



1-1/2 in. Plug with O-Ring

POOL SPECIALTY FITTINGS (CONT'D)

Ordering Information



Vacuum Plug



86201500



Rope Hook



Valve Lid & Ring
ABS



542044



542142

Product	Description	Carton Qty.	Carton Wt. (Lbs.)
FLOOR INLET FITTINGS			
08417-0000	2 in. Slip with 1-1/2 in. slip bushing, white ³	1	1
08417-0100	2 in. Slip with 1-1/2 in. slip bushing, gray ³	1	1
08417-0200	2 in. Slip with 1-1/2 in. slip bushing, black ³	1	1
SPECIAL FITTINGS			
46550000	Aerator Cap, 1-1/2 in. for air channel, white	50	13
46550015	Aerator Cap, 1-1/2 in. for air channel, dark gray	50	13
46550065	Aerator Cap, 1-1/2 in. for air channel, gray	50	13
510166	Hose adapter, straight, white ⁴	50	3
86201500	Aerator inlet (used as a return spray nozzle)	10	1
K12500	Snap Lock Kit Fitting	1	0.10
GW9530	Vac-port fitting, NSF listed	1	0.10
86200500	Vacuum or Winterizing plug with Oring	1	0.50
VALVE COVERS			
86300100	Valve Lid & Ring, ABS, 6 in., white	1	1
86300130	Valve Lid & Ring, ABS, 6 in., beige	1	1
GRATE INSERTS			
540056	Grate insert, 1-1/2 in. MIP, white ²	50	2
540057	Grate insert, 1-1/2 in. MIP, black ²	50	2
ROPE ANCHORS & HOOKS			
542044	Anchor Cup with SS bar, white ¹	100	24
542045	Anchor Cup with SS bar, black ¹	100	24
86201200	Anchor Cup, ABS, white	100	16
86201215	Anchor Cup, ABS dark gray	100	16
86201300	Anchor Cup, ABS with SS cross bar, white ¹	100	16
86201400	Rope Hook, 3/4 in., ABS	150	16
542142	Rope Hook for 3/4 in. rope with two SS screws	200	22
STEPS			
82400700	ABS Steps, set of three, white	1	3
82400800	ABS Steps, set of three, gray	1	3

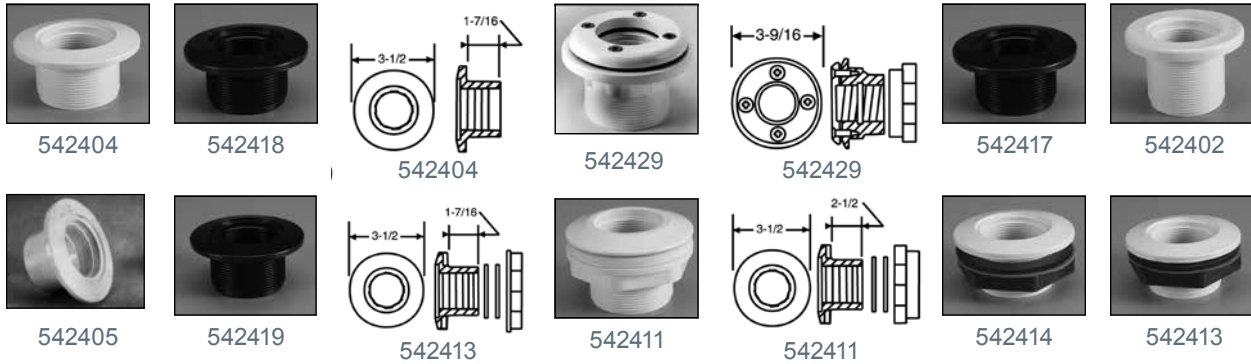
¹ Not for use with saltwater pools.

² Not for use as a suction fitting.

³ Use only as a floor inlet fitting.

⁴ Hose to NPT fittings.

RETURN FITTINGS FOR SWIMMING POOLS



Ordering Information

Product	Description	Carton Qty.	Carton Wt. (Lbs.)
GUNITE/CONCRETE			
542402	Long body, 1-1/2 in. threaded x 1-1/2 in. socket, white	50	9
542417	Long body, 1-1/2 in. threaded x 1-1/2 in. socket, black	50	9
542404	Standard body, 1-1/2 in. threaded x 1-1/2 in. threaded, white	50	9
542405	Standard body, 1-1/2 in. threaded x 1-1/2 in. socket, white	50	9
542418	Standard body, 1-1/2 in. threaded x 1-1/2 in. threaded, black	50	9
542419	Standard body, 1-1/2 in. threaded x 1-1/2 in. socket, black	50	9
FIBERGLASS POOLS & SPAS ²			
542411	Long body, 1-1/2 in. threaded x 1-1/2 in. socket, spacer/locknut, white	50	9
542413	Standard body, 1-1/2 in. threaded x 1-1/2 in. threaded, spacer/locknut, white	50	9
542414	Standard body, 1-1/2 in. threaded x 1-1/2 in. socket, comb. spacer/locknut, white	50	9
CONCRETE-WALLED VINYL LINER POOLS ¹			
542429	Standard body, 1-1/2 in. threaded x 1-1/2 in. socket, white	50	9
VINYL LINER FITTINGS			
86205100	1-1/2 in. FIPT with screws, vinyl liner, white	50	25
86205101	1-1/2 in. FIPT with screws, vinyl liner, black	50	25
86205103	1-1/2 in. FIPT with screws, vinyl liner, dark gray	50	25
545100	Face plate for vinyl liner return fitting, white	50	10
545101	Face plate for vinyl liner return fitting, black	50	10
545103	Face plate for vinyl liner return fitting, dark gray	50	10
INSIDER FITTINGS FOR GUNITE/CONCRETE POOLS			
542423	2 in. slip body, for schedule 40 pvc pipe, white	50	7
542424	2 in. slip body, for schedule 40 pvc pipe, black	50	7

¹ Includes face plate, screws & gaskets.

² Includes back gaskets.

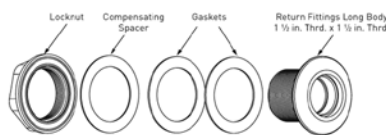


86205100

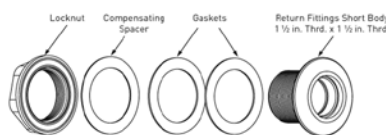
CALIFORNIA PROPOSITION 65 WARNING

⚠ **WARNING:** Cancer and Reproductive Harm.
 ⚠ **AVERTISSEMENT:** Peut Causer le Cancer et des Dommages au Système Reproducteur.
 ⚠ **ADVERTENCIA:** Cáncer y Daño Reproductivo.

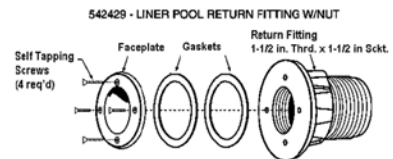
www.p65warnings.ca.gov. FR200714



542411



542413



542429

WALL FITTINGS - INLETS



Directional eyeball inlets with 1-1/2 in. MIP thread to fit standard female adapter or wall fitting



Insider directional inlet wall fittings with 1/2, 3/4, 1 in. and slotted openings



Economy Insider 542000

CALIFORNIA PROPOSITION 65 WARNING
 ⚠️ **WARNING:** Cancer and Reproductive Harm.
 ⚠️ **AVERTISSEMENT:** Peut Causer le Cancer et des Dommages au Système Reproducteur.
 ⚠️ **ADVERTENCIA:** Cáncer y Daño Reproductivo.
www.p65warnings.ca.gov PK320174A

Ordering Information

Product	Description	Carton Qty.
1-1/2 INCH THREADED DIRECTIONAL EYEBALLS		
542087	Ultimate eyeball 1-1/2 in. threaded with snap-in disks, 1/2 in., 3/4 in., 1 in., and pressure test orifices, white	50
540000	Slotted opening, white	50
540001	Slotted opening, black	50
540002	Slotted opening, dark gray	50
540007	3/8 in. opening, white	50
540008	3/8 in. opening, black	50
540009	3/8 in. opening, dark gray	50
540014	1/2 in. opening, white	50
540015	1/2 in. opening, black	50
540016	1/2 in. opening, dark gray	50
540021	3/4 in. opening, white	50
540022	3/4 in. opening, black	50
540023	3/4 in. opening, dark gray	50
540028	1 in. opening, white	50
540029	1 in. opening, black	50
540030	1 in. opening, dark gray	50
ECONOMY INSIDER		
542000	1 in. slip inlet with snap-in 3/8 in., 3/4 in. and pressure test disks, white	300
542001	1 in. slip inlet with snap-in 3/8 in., 3/4 in. and pressure test disks, black	300
542002	1-1/2 in. slip inlet with snap-in 1/2 in., 3/4 in, 1 in., and pressure test disks, white	200
542003	1-1/2 in. slip inlet with snap-in 1/2 in., 3/4 in, 1 in., and pressure test disks, black	200
INSIDER DIRECTIONAL FITTINGS		
540035	1-1/2 in. slip inlet, 1/2 in., white	50
540036	1-1/2 in. slip inlet, 1/2 in., black	50
540037	1-1/2 in. slip inlet, 1/2 in., dark gray	50
540042	1-1/2 in. slip inlet, 3/4 in., white	50
540043	1-1/2 in. slip inlet, 3/4 in., black	50
540044	1-1/2 in. slip inlet, 3/4 in., dark gray	50
540049	1-1/2 in. slip inlet, 1 in., white	50
540050	1-1/2 in. slip inlet, 1 in., black	50
540051	1-1/2 in. slip inlet, 1 in., dark gray	50
540053	1-1/2 in. slip inlet, slot 1 in., white	50

AUTOMATIC WATER FILLERS

WATER LEVEL CONTROL



Automatic Water Fillers

CALIFORNIA PROPOSITION 65 WARNING
 ⚠️ **WARNING:** Cancer and Reproductive Harm.
 ⚠️ **AVERTISSEMENT:** Peut Causer le Cancer et des Dommages au Système Reproducteur.
 ⚠️ **ADVERTENCIA:** Cáncer y Daño Reproductivo.
www.p65warnings.ca.gov PA320714

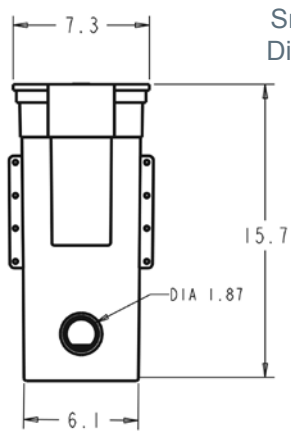
Featured Highlights

- Available for standard in-ground and vanishing edge pools
- Prevents equipment damage due to low water levels
- No electronic controls
- Prevents water waste and landscape damage due to overfilling pool
- Available with white, black, gray, and almond colored lids

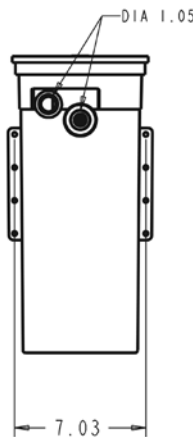
Ordering Information

Product	Description
AUTOMATIC WATER FILLERS	
T40BBE	AutoFill w/ side mounted float valve, almond
T40BBK	AutoFill w/ side mounted float valve, black
T40BG	AutoFill w/ side mounted float valve, gray
T40BDG	AutoFill w/side mounted float valve, dark gray
T40BW	AutoFill w/ side mounted float valve, white
T40FB	AutoFill w/ Fluidmaster® valve, almond
T40FBK	AutoFill w/ Fluidmaster valve, black
T40FG	AutoFill w/ Fluidmaster valve, gray

Product	Description
T40FW	AutoFill w/ Fluidmaster valve, white
T40FDG	AutoFill 2/Fluidmaster valve, dark gray
T40FNB	AutoFill Vanishing Edge w/ Fluidmaster valve, almond
T40FNBK	AutoFill Vanishing Edge w/ Fluidmaster valve, black
T40FNG	AutoFill Vanishing Edge w/ Fluidmaster valve, gray
T40FNDG	AutoFill Vanishing Edge w/ Fluidmaster valve, dark gray
T40FNW	AutoFill Vanishing Edge w/ Fluidmaster valve, white



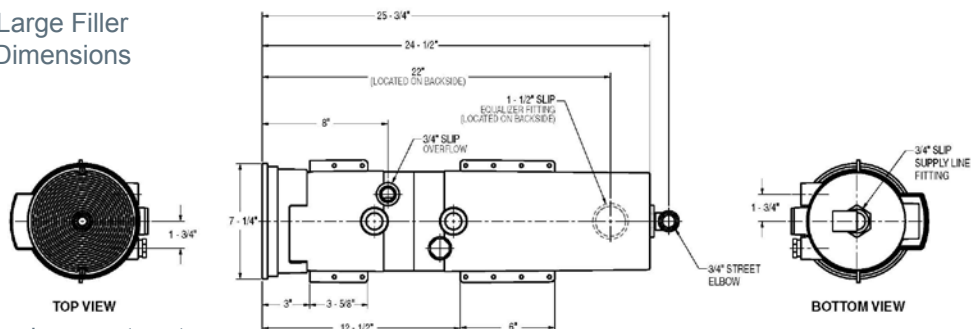
Small Filler Dimensions



Fluidmaster Valve



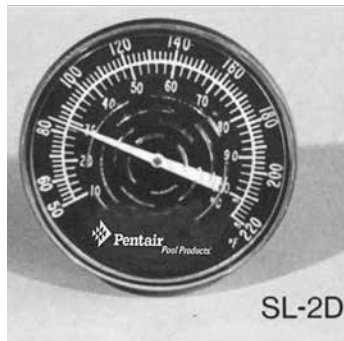
Large Filler Dimensions



See page 600 for replacement parts.

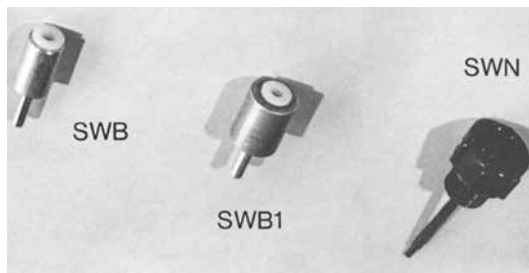
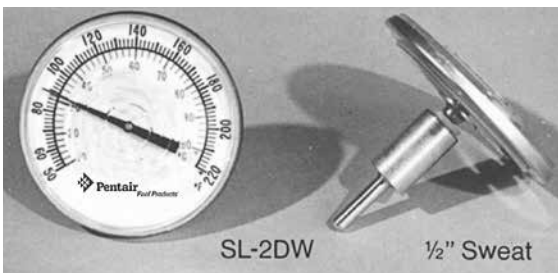
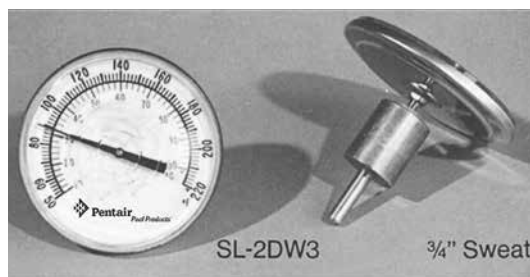
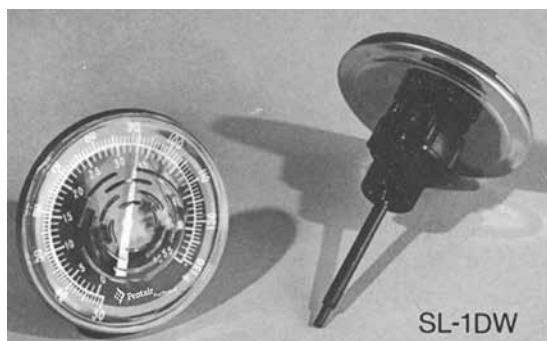
INLINE THERMOMETERS FOR POOL AND SOLAR APPLICATIONS

CALIFORNIA PROPOSITION 65 WARNING
 ⚠️ **WARNING:** Cancer and Reproductive Harm.
 ⚠️ **AVERTISSEMENT:** Peut Causer le Cancer et des Dommages au Système Reproducteur.
 ⚠️ **ADVERTENCIA:** Cáncer y Daño Reproductivo.
www.p65warnings.ca.gov PA 202514



Ordering Information

Product	Description	Carton Qty.
INLINE THERMOMETER WELLS		
SWB	1/2 in. Brass well	1
SWB1	3/4 in. Brass well	1
SWN	Nylon well	1
INLINE THERMOMETER for Solar Applications		
SL2D	50/220°F. w/ 1/2 in. NPT (threaded)	1
SL2DW	50/220°F. w/ 1/2 in. Brass well	1
SL2DW3	50/220°F. w/ 3/4 in. Brass well	1
INLINE THERMOMETERS for Pool Applications		
SL1DW	30/130°F. w/ Nylon well	1



FLOWMETERS

FOR COMMERCIAL AND INDUSTRIAL LIQUID APPLICATIONS



Flowmeter

Featured Highlights

- Stainless steel guide and floats
- Easy installation and maintenance; no tools required, tightens by hand
- Textured surface on back of meter for improved readability
- Easy to read GPM and LPM Scales
- Brass threaded knurled nuts for durability

CALIFORNIA PROPOSITION 65 WARNING

⚠ **WARNING:** Cancer and Reproductive Harm.
 ⚠ **AVERTISSEMENT:** Peut Causer le Cancer et des Dommages au Système Reproducteur.
 ⚠ **ADVERTENCIA:** Cáncer y Daño Reproductivo.
www.p65warnings.ca.gov

Ordering Information

Product	GPM	Description	Carton Qty.	Carton Wt. (Lbs.)
SMALL BODY FLOWMETERS				
LDF360B	1/2–5	3/4 in., Brass sweat end	1	1
LDF360N	1/2–5	3/4 in., Nylon threaded end	1	3/4
LDF360T	1/2–5	1 in., Brass threaded end	1	1-1/4
LDF357B	1–10	3/4 in., Brass sweat end	1	1
LDF357N	1–10	3/4 in., Nylon threaded end	1	3/4
LDF357T	1–10	1 in., Brass threaded end	1	1-1/4
LDF359B	2–16	3/4 in., Brass sweat end	1	1
LDF359N	2–16	3/4 in., Nylon threaded end	1	3/4
LDF359T	2–16	1 in., Brass threaded end	1	1-1/4
LARGE BODY FLOWMETERS				
LDF451B	8–75	1 in., Brass sweat end	1	1-1/4
LDF461T	8–75	1-1/2 in., Brass threaded end	1	1-1/2
LDF452B	15–100	1 in., Brass sweat end	1	1-1/4
LDF462T	15–100	1-1/2 in., Brass threaded end	1	1-1/2

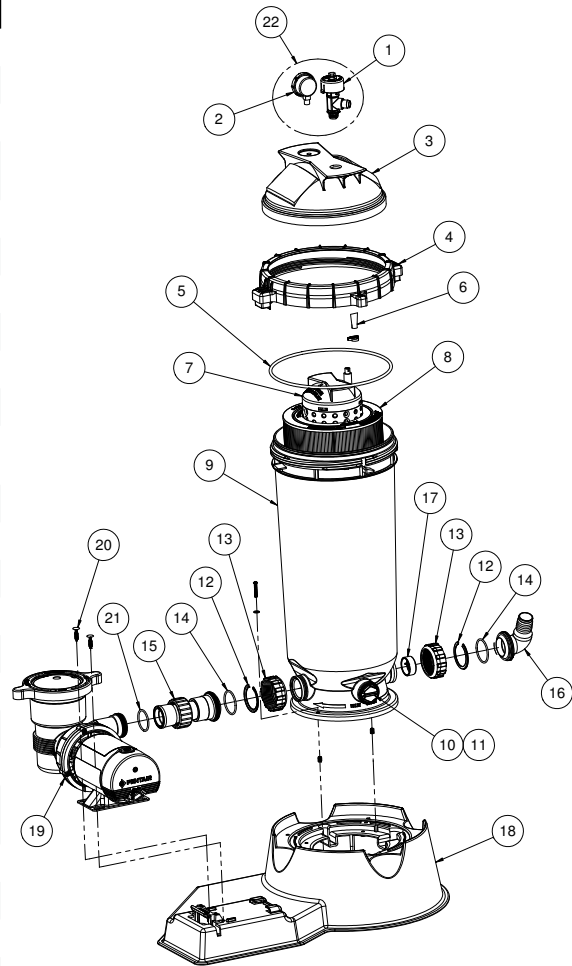
ABOVEGROUND SYSTEMS PARTS

Product Catalog 2020

CLEAN & CLEAR® FILTER SYSTEMS

REPLACEMENT PARTS FOR SYSTEMS MANUFACTURED 2009 AND BEYOND

Item	Part No.	Description	US List	Can. List
CLEAN & CLEAR FILTER SYSTEMS 2009 AND BEYOND				
1	98209800	High Flow Manual Relief Valve	37.80	45.42
2	190058Z	Pressure Gauge	CALL	CALL
3	178553	Lid, 50/100/125 sq. ft., Almond	176.41	211.97
3	178561	Lid, 75/150/175/200 sq. ft., Almond	164.47	197.63
4	59052900	Locking Ring Assy	108.25	130.07
5	87300400Z	Body O-Ring	CALL	CALL
6	59016200	Air Bleed Sock Kit	14.49	17.41
7	59053500	Center Core, 50 sq. ft.	128.31	154.18
7	59053600	Center Core, 75 sq. ft.	129.33	155.40
7	59053700	Center Core, 100/125 sq. ft.	150.76	181.15
7	59053800	Center Core, 150/175/200 sq. ft.	231.06	277.64
8	R173213	Cartridge Element, 50 sq. ft.	100.37	120.60
8	R173214	Cartridge Element, 75 sq. ft.	130.06	156.28
8	R173215	Cartridge Element, 100 sq. ft.	159.53	191.69
8	R178671	Cartridge Element, 125 sq. ft.	192.16	230.90
8	R173216	Cartridge Element, 150 sq. ft.	210.18	252.55
8	R178672	Cartridge Element, 175 sq. ft.	245.59	295.10
8	R173217	Cartridge Element, 200 sq. ft.	262.33	315.22
9	178562	Tank Bottom, 50/75, Almond	311.38	374.15
9	178563	Tank Bottom, 100/125/150/175/200, Almd	396.82	476.82
10	86202000	Drain Cap with O-Ring	20.99	25.22
11	51005000	O-Ring (Drain Cap)	7.63	9.17
12	39104500	C-Clip (Union Nut)	2.07	2.49
13	98212200	Union Nut	11.97	14.38
14	071426	O-Ring (Union)	1.77	2.13
15	155372	Pump to Filter Assembly (OptiFlo)	61.80	74.26
16	79304700	Body swivel 1.5 NPT	22.72	27.30
16	711006	Outlet Connector	7.41	8.90
17	51516100	Check Valve Kit	43.89	52.74
18	155333P	Systems Base	CALL	CALL
18	155333CP	Systems Base, CSA Pump	103.69	124.59
19	OptiFlo® Pump page 535			
20	710009	Base Hardware Kit	18.11	21.76
21	354571	O-Ring (Union)	3.84	4.61
22	170095	Air Relief Parts Kit	66.88	80.36
ACCESSORIES				
	155151	Replacement Hose Kit, Flex Hose, 6 ft. ¹	108.80	130.73
	155005	Replacement Hose Kit, Flex Hose, 12ft ¹	143.58	172.53



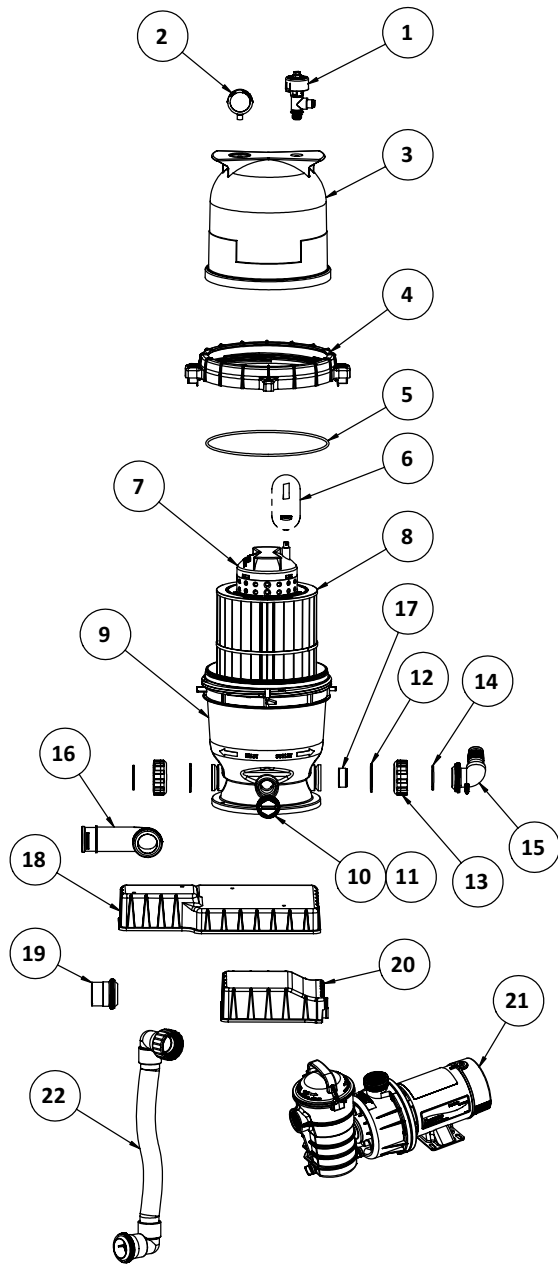
CALIFORNIA PROPOSITION 65 WARNING

⚠ **WARNING:** Cancer and Reproductive Harm.
 ⚠ **AVERTISSEMENT:** Peut Causer le Cancer et des Dommages au Système Reproducteur.
 ⚠ **ADVERTENCIA:** Cáncer y Daño Reproductivo.
www.p65warnings.ca.gov

¹ Replacement Hose Kits include two (2) hoses, four (4) hose adaptors and four (4) hose clamps.

CLEAN & CLEAR® FILTER SYSTEMS

REPLACEMENT PARTS FOR SYSTEMS MANUFACTURED PRIOR TO 2009



CALIFORNIA PROPOSITION 65 WARNING
 ⚠️ **WARNING:** Cancer and Reproductive Harm.
 ⚠️ **AVERTISSEMENT:** Peut Causer le Cancer et des Dommages au Système Reproducteur.
 ⚠️ **ADVERTENCIA:** Cáncer y Daño Reproductivo.
www.p65warnings.ca.gov PK320174

² Used on filters manufactured after 3/98.

³ Used on filters manufactured before 11/98.

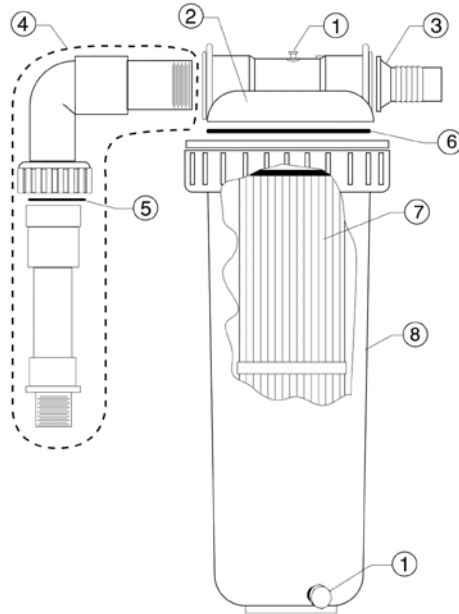
⁴ Used on filters manufactured after 11/98.

⁵ Used on filters manufactured after 1/01 with the Dynamo Pump.

Item	Part No.	Description	US List	Can. List	
CLEAN & CLEAR FILTER SYSTEMS PRIOR TO 2009					
1	98209800	High Flow™ Manual Air Relief Valve (HFMARV)	37.80	45.42	
2	190058Z	Gauge, pressure	CALL	CALL	
3	178553	Lid 50, 100 sq. ft., almond	176.41	211.97	
3	178561	Lid, 75/150/200 sq. ft., almond	164.47	197.63	
4	59052900	Locking ring assy.	108.25	130.07	
5	87300400Z	Body O-ring	CALL	CALL	
6	59016200	Air bleed sock kit	14.49	17.41	
7	59053500	Center core 50 sq. ft.	128.31	154.18	
7	59053600	Center core 75 sq. ft.	129.33	155.40	
7	59053700	Center core 100 sq. ft.	150.76	181.15	
7	59053800	Center core 150/200 sq. ft.	231.06	277.64	
8	R173213	Cartridge element 50 sq. ft.	100.37	120.60	
8	R173214	Cartridge element 75 sq. ft.	130.06	156.28	
8	R173215	Cartridge element 100 sq. ft.	159.53	191.69	
8	R173216	Cartridge element 150 sq. ft.	210.18	252.55	
8	R173217	Cartridge element 200 sq. ft.	262.33	315.22	
9	178562	Bottom 50 sq. ft., almond	311.38	374.15	
9	178554	Bottom 75 sq. ft., almond	309.46	371.85	
9	178563	Bottom 100 sq. ft., almond	396.82	476.82	
9	178560	Bottom 150/200 sq. ft., almond	387.42	465.52	
10	51516200	Drain cap ³	27.10	32.56	
10	86202000	Plug 1-1/2 in. drain, w/ O-ring ⁴	20.99	25.22	
11	86300500	Drain cap gasket ³	5.64	6.78	
11	51005000	O-ring, drain cap ⁴	7.63	9.17	
12	39104500	Union nut "C" clip	2.07	2.49	
13	98212200	Union nut	11.97	14.38	
14	071426	O-ring, union	1.77	2.13	
15	39107400	Fitting elbow pump connector ²	21.64	26.00	
16	170037	Fitting elbow pump connector ²	32.19	38.68	
17	51516100	Check valve kit	43.89	52.74	
18	170058	Base assy.	60.24	72.38	
19	79304700	Body swivel w/ 1-1/2 in. NPT internal threads	22.72	27.30	
20	178541	Chlorinator base	CALL	CALL	
20	98200700	Bolt	CALL	CALL	
20	155109	T-nut	0.36	0.43	
21	OptiFlo Pump page 535; Dynamo Pump Page 536				
22	175015	Pump/filter connector, Dynamo ⁵	141.90	170.51	
22	170046	Pump/filter connector, OptiFlo	141.58	170.12	
NOT SHOWN					
	354571	O-Ring (Union)	3.84	4.61	

PREDATOR™ II MINI-CELLULAR MEDIA FILTER SYSTEM

REPLACEMENT PARTS



Item	Part No.	Description	US List	Can. List
PREDATOR II FILTER SYSTEM				
1	R172224X	Air relief valve	6.29	7.56
2	R172213XT	Lid	27.96	33.60
3	510166	Hose adapter	2.08	2.50
4	59019800	Pump connector	92.86	111.58
5	071426	O-ring	1.77	2.13
6	R172223	O-ring	6.29	7.56
7	R172327	Cartridge	34.10	40.97
8	R172212X	Body	43.50	52.27
NOT SHOWN				
	R172214	Lock ring	19.32	23.21
	98105700	Base assy.	44.65	53.65

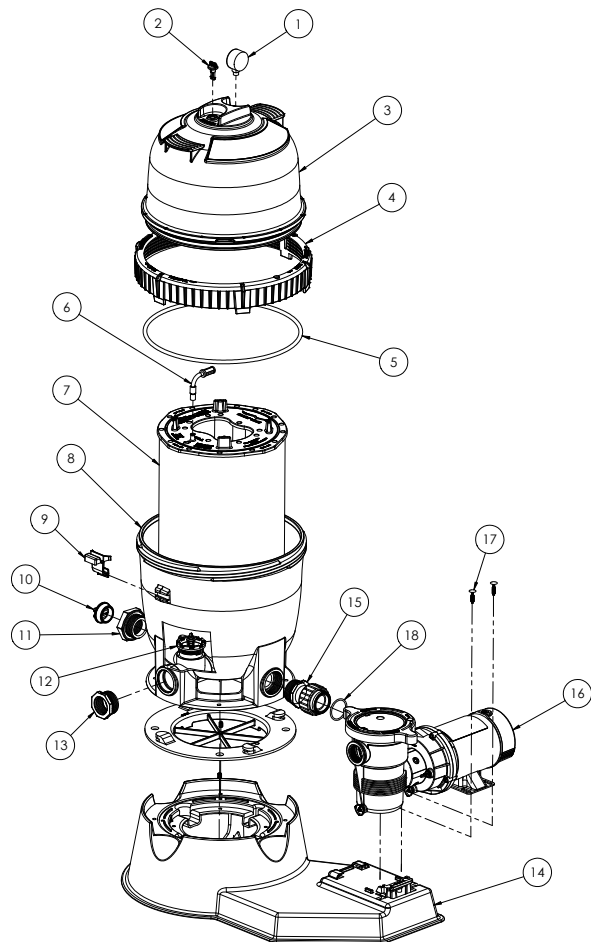
CALIFORNIA PROPOSITION 65 WARNING

⚠ **WARNING:** Cancer and Reproductive Harm.
 ⚠ **AVERTISSEMENT:** Peut Causer le Cancer et des Dommages au Système Reproducteur.
 ⚠ **ADVERTENCIA:** Cáncer y Daño Reproductivo.

www.p65warnings.ca.gov
P128211A

PLM FILTER SYSTEMS

REPLACEMENT PARTS FOR SYSTEMS MANUFACTURED 2009 AND BEYOND



Note: System shown with 155333P Base and OptiFlo® Pump

CALIFORNIA PROPOSITION 65 WARNING
 ⚠️ **WARNING:** Cancer and Reproductive Harm.
 ⚠️ **AVERTISSEMENT:** Peut Causer le Cancer et des Dommages au Système Reproducteur.
 ⚠️ **ADVERTENCIA:** Cáncer y Daño Reproductivo.
 www.p65warnings.ca.gov

Item	Part No.	Description	US List	Can. List
PLM FILTER SYSTEMS 2009 AND BEYOND				
1	15060-0000T	Pressure Gauge	47.86	57.51
2	25010-0200	Air Relief Valve Assembly	19.66	23.62
3	27001-0020S	Tank Shell Upper Half	327.75	393.82
4	27001-0054S	Posi-Lok Ring	218.84	262.96
5	27001-0061S	Body O-Ring	57.10	68.61
6	24800-0121	Air Bleed Assembly	19.00	22.83
7	27002-0100S	Filter Module - PLM100	290.93	349.58
7	27002-0150S	Filter Module - PLM150	431.88	518.95
8	27001-0009S	Tank Shell Lower Half	556.77	669.01
9	27001-0051	Safety Latch	15.40	18.50
10	27001-0022	1-1/2 in. NPT Plug	3.06	3.68
11	24900-0510	Adapter Fitting	29.75	35.75
12	27001-0130S	Spring Check Valve	23.75	28.54
13	U78-820P3	2 in. to 1-1/2 in. Pipe Reducer	14.08	16.92
14	155331P	Systems Base (ABG/JWP)	214.36	257.57
14	155331CP	Systems Base, CSA (ABG/JWP)	220.81	265.33
14	155333P	Systems Base (OptiFlo)	103.70	124.61
14	155333CP	Systems Base, CSA (OptiFlo)	103.69	124.59
15	155403	Pump to Filter Hose Assembly (JWP)	53.46	64.24
15	155374	Pump to Filter Assembly (OptiFlo) ²	53.46	64.24
15	155765	Pump to Filter Assembly (OptiFlo) ³	44.65	53.65
16		Pump		
17	710009	Base Hardware Kit	18.11	21.76
18	354571	O-Ring, Union (Opti-Flo)	3.84	4.61
18	U9-226Z	O-Ring, Union (JWP)	CALL	CALL
NOT SHOWN				
	155151	Kit, Flex Hose, 6 ft. ¹	108.80	130.73
	155005	Kit, Flex Hose, 12 ft. ¹	143.58	172.53

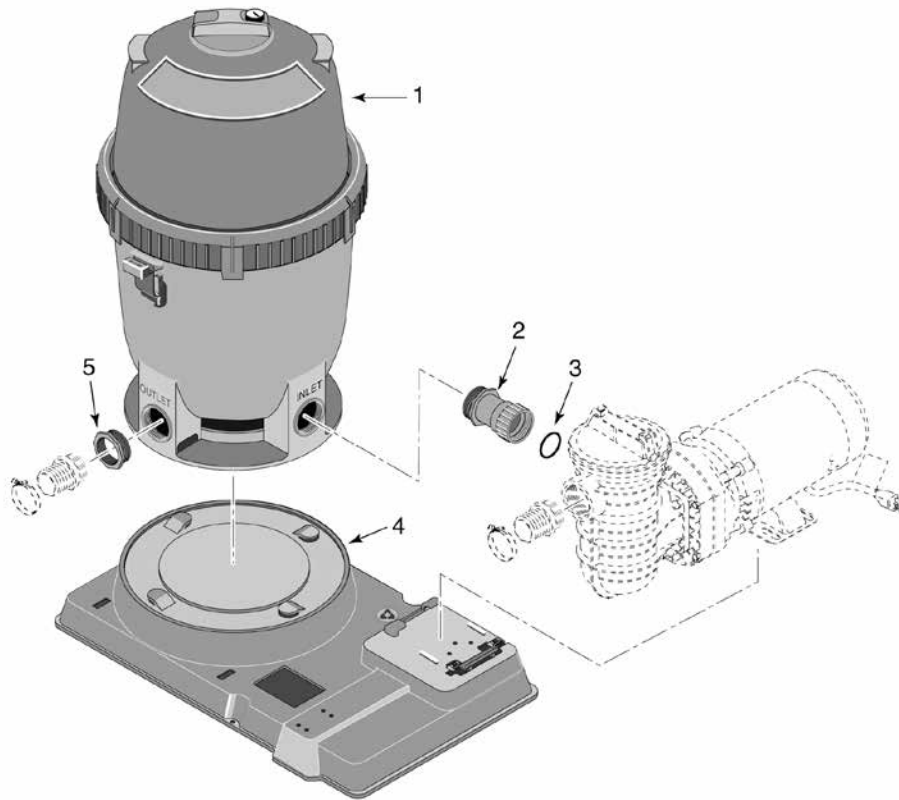
¹ Replacement Hose Kits include two (2) hoses, four (4) hose adaptors and four (4) hose clamps.

² When replacement OptiFlo pump is used on base 155333P and 155333CP.

³ When replacement OptiFlo pump is used on base 155331P and 155331CP.

PLM FILTER SYSTEMS

REPLACEMENT PARTS FOR SYSTEMS MANUFACTURED PRIOR TO 2009

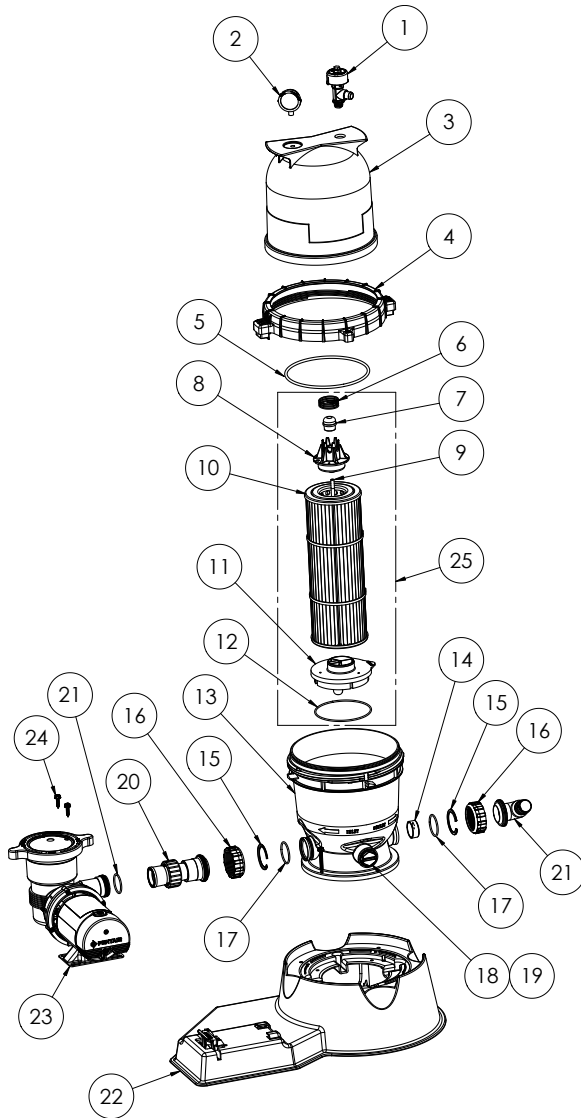


Item	Part No.	Description	US List	Can. List
PLM FILTER SYSTEMS PRIOR TO 2009				
1	PLM100	PLM100 Filter Tank Assembly	CALL	CALL
1	PLM150	PLM150 Filter Tank Assembly	CALL	CALL
1	PLD50	PLD50 Filter Tank Assembly	CALL	CALL
2	27001-0120	Union Half Assembly (JWP)	47.49	57.06
2	155765	Pump to Filter Assembly (OptiFlo)	44.65	53.65
3	U9-226Z	O-Ring	CALL	CALL
4	27001-0031	Platform Base	CALL	CALL
5	U78-820P	2 in. NPT x 1-1/2 in. NPT Reducer Bushing	14.10	16.94
NOT SHOWN				
	155151	Hose Assembly 1-1/2 in. x 6 ft. ('03 Models only)	108.80	130.73

CALIFORNIA PROPOSITION 65 WARNING
 ⚠️ **WARNING:** Cancer and Reproductive Harm.
 ⚠️ **AVERTISSEMENT:** Peut Causer le Cancer et des Dommages au Système Reproducteur.
 ⚠️ **ADVERTENCIA:** Cáncer y Daño Reproductivo.
www.p65warnings.ca.gov PK2017A

EASYCLEAN™ FILTER SYSTEMS

REPLACEMENT PARTS



CALIFORNIA PROPOSITION 65 WARNING
 ⚠️ **WARNING:** Cancer and Reproductive Harm.
 ⚠️ **AVERTISSEMENT:** Peut Causer le Cancer et des Dommages au Système Reproducteur.
 ⚠️ **ADVERTENCIA:** Cáncer y Daño Reproductivo.
www.p65warnings.ca.gov PK2017A

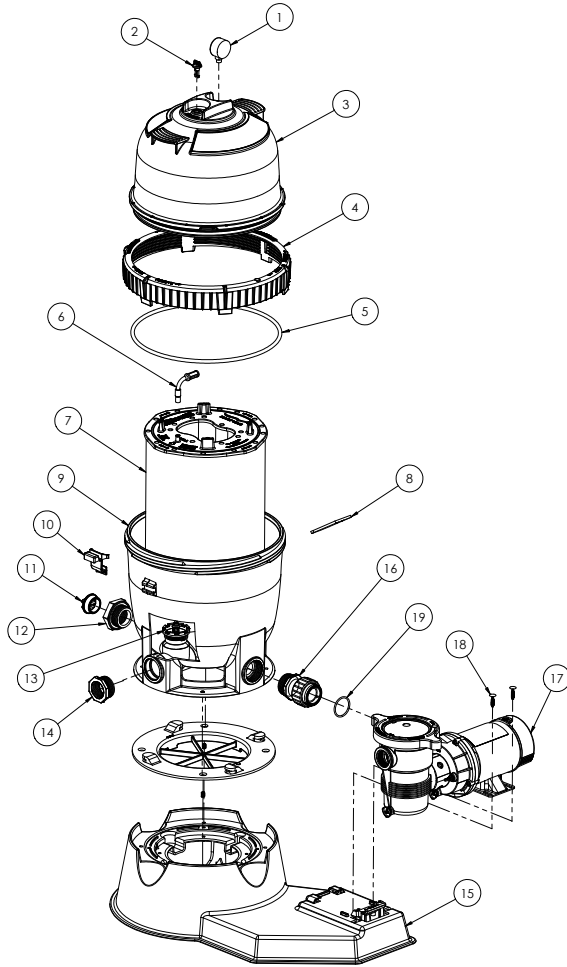
Item	Part No.	Description	US List	Can. List	
EASYCLEAN FILTER SYSTEMS					
1	98209800	High Flow Manual Relief Valve	37.80	45.42	
2	190058Z	Pressure Gauge	CALL	CALL	
3	178561	Lid, Almond	164.47	197.63	
4	59052900	Locking Ring Assy	108.25	130.07	
5	87300400Z	Body O-Ring	CALL	CALL	
6	178616	Compression Spring	7.11	8.54	
7	190106Z	Air Bleeder	29.47	35.41	
8	178626	Center Core Top, EC	20.08	24.13	
9	U37-3/8P	Air Bleeder Tube, EC60	CALL	CALL	
9	U37-3/8P	Air Bleeder Tube, EC90	CALL	CALL	
10	178757	Cartridge Element, EC60	93.61	112.48	
10	178656	Cartridge Element, EC90	191.16	229.70	
11	178627	Center Core Bottom, EC	17.54	21.08	
12	071422	O-Ring, Center Core	7.63	9.17	
13	178562	Tank Bottom, EC60	311.38	374.15	
13	178563	Tank Bottom, EC90	396.82	476.82	
14	51516100	Check Valve Kit	43.89	52.74	
15	39104500	C-Clip Union Nut	2.07	2.49	
16	98212200	Union Nut	11.97	14.38	
17	071426	O-Ring Union	1.77	2.13	
18	86202000	Drain Cap with O-Ring	20.99	25.22	
19	51005000	O-Ring Drain Cap	7.63	9.17	
20	155372	Pump to Filter Assembly (OptiFlo) - comes with O-ring (354571)	61.80	74.26	
21	354571	O-Ring Union	3.84	4.61	
22	155333P	Systems Base	103.70	124.61	
23	OptiFlo® Pump Page 535				
24	710009	Base Hardware Kit	18.11	21.76	
25 ¹	196060	Element Retro Kit, EC60	150.47	180.80	
25 ¹	196060	Element Retro Kit, EC90	150.47	180.80	
NOT SHOWN					
	155151	Flex Hose Kit (6 ft.) ²	108.80	130.73	
	155005	Flex Hose Kit (12 ft.) ²	143.58	172.53	

¹ Item 25 includes items 6 through 12. Item 25 replaces the Center Core, Cartridge Element, and Air Bleeder Sock Kit on filters manufactured before 2014.

² Replacement Hose Kits include two (2) hoses, four (4) hose adapters and four (4) hose clamps.

PLD FILTER SYSTEMS

REPLACEMENT PARTS FOR SYSTEMS MANUFACTURED 2009 AND BEYOND



Note: System shown with 155333P Base and OptiFlo® Pump

CALIFORNIA PROPOSITION 65 WARNING
⚠ WARNING: Cancer and Reproductive Harm.
⚠ AVERTISSEMENT: Peut Causer le Cancer et des Dommages au Système Reproducteur.
⚠ ADVERTENCIA: Cáncer y Daño Reproductivo.
www.p65warnings.ca.gov

Item	Part No.	Description	US List	Can. List
PLD FILTER SYSTEMS 2009 AND BEYOND				
1	15060-0000T	Pressure Gauge	47.86	57.51
2	25010-0200	Air Relief Valve Assembly	19.66	23.62
3	27001-0020S	Tank Shell Upper Half	327.75	393.82
4	27001-0054S	Posi-Lok Ring	218.84	262.96
5	27001-0061S	Body O-Ring	57.10	68.61
6	24800-0120	Air Bleed Assembly	22.86	27.47
7	27002-0030S	Filter Module - PLD50	365.02	438.61
8	27001-0011	Flapper Valve	17.20	20.67
9	27001-0009S	Tank Shell Lower Half	556.77	669.01
10	27001-0051	Safety Latch	15.40	18.50
11	27001-0022	1-1/2 in. NPT Plug	3.06	3.68
12	24900-0510	Adapter Fitting	29.75	35.75
13	27001-0130S	Spring Check Valve	23.75	28.54
14	U78-820P3	2 in. to 1-1/2 in. Pipe Reducer	14.08	16.92
15	155331P	Systems Base (ABG/JWP)	214.36	257.57
15	155331CP	Systems Base, CSA (ABG/JWP)	220.81	265.33
15	155333P	Systems Base (OptiFlo)	103.70	124.61
15	155333CP	Systems Base, CSA (OptiFlo)	103.69	124.59
16	155403	Pump to Filter Hose Assembly (JWP)	53.46	64.24
16	155374	Pump to Filter Assembly (OptiFlo) ²	53.46	64.24
16	155765	Pump to Filter Assembly (OptiFlo) ³	44.65	53.65
17	OptiFlo® Pump Page 535			
18	710009	Base Hardware Kit	18.11	21.76
19	354571	O-Ring, Union	3.84	4.61
NOT SHOWN				
	155151	Kit, Flex Hose, 6 ft. ¹	108.80	130.73
	155005	Kit, Flex Hose, 12 ft. ¹	143.58	172.53

¹ Replacement Hose Kits include two (2) hoses, four (4) hose adapters and four (4) hose clamps.

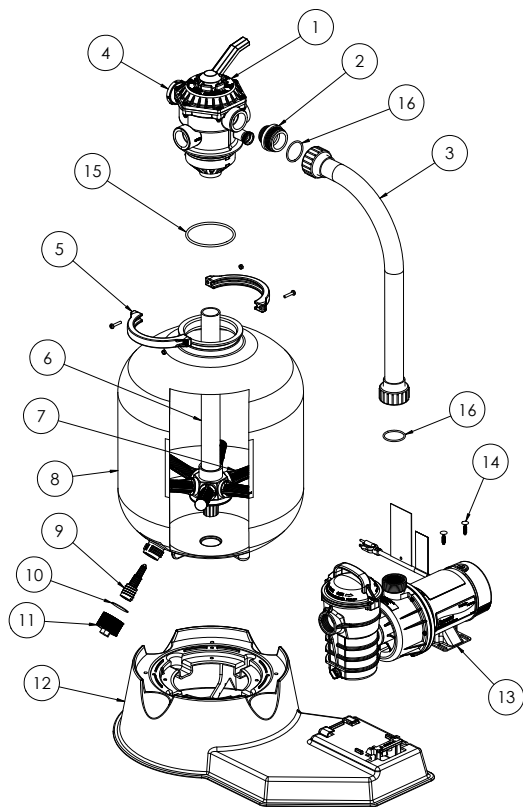
² When replacement OptiFlo pump is used on base 155333P and 155333CP.

³ When replacement OptiFlo pump is used on base 155331P and 155331CP.

SAND DOLLAR® FILTER SYSTEMS

REPLACEMENT PARTS FOR SYSTEMS MANUFACTURED 2009 AND BEYOND

Item	Part No.	Description	US List	Can. List
SAND DOLLAR FILTER SYSTEMS 2009 AND BEYOND				
1	262506	Valve, 1-1/2 Inch, 6-Way	CALL	CALL
2	354588	Adaptor, NPT to Buttress	22.11	26.57
3	155709	Pump to Filter Assembly (Dynamo to SD35)	68.23	81.99
3	155710	Pump to Filter Assembly (Dynamo to SD40)	71.33	85.71
3	155711	Pump to Filter Assembly (Dynamo to SD60)	75.13	90.28
4	190059Z	Pressure Gauge	CALL	CALL
5	152165	Clamp Assembly	26.97	32.41
6	152229	Piping Assembly – SD35	135.18	162.43
6	152228	Piping Assembly – SD40	124.80	149.96
6	152227	Piping Assembly – SD60	145.09	174.34
7	150084	Lateral – SD 35 & SD 40	7.51	9.02
7	150085	Lateral – SD60	9.43	11.33
8	145339	Tank w/ Drain – SD35	308.18	370.31
8	145341	Tank w/ Drain – SD40	408.85	491.27
8	145343	Tank w/ Drain – SD60	566.06	680.18
9	154711Z	Sand Drain	CALL	CALL
10	154715	Gasket (Sand Drain)	6.25	7.51
11	154712Z	Drain Cap	CALL	CALL
12	155333P	Systems Base	103.70	124.61
12	155333CP	Systems Base, CSA Pump	103.69	124.59
13	Dynamo Pump Page 536			
14	710009	Base Hardware Kit	18.11	21.76
15	272541	O-Ring Valve Body	8.80	10.57
16	354571	O-Ring, Union	3.84	4.61
NOT SHOWN				
	155151	Kit, Flex Hose, 6 ft. ¹	108.80	130.73
	155005	Kit, Flex Hose, 12 ft. ¹	143.58	172.53



¹ Replacement Hose Kits include two (2) hoses, four (4) hose adaptors and four (4) hose clamps.

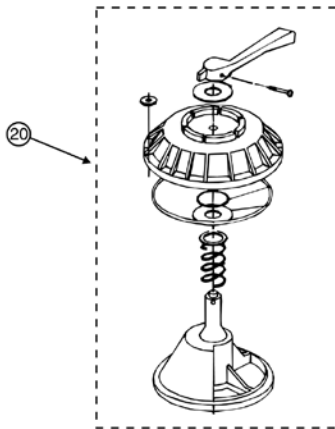
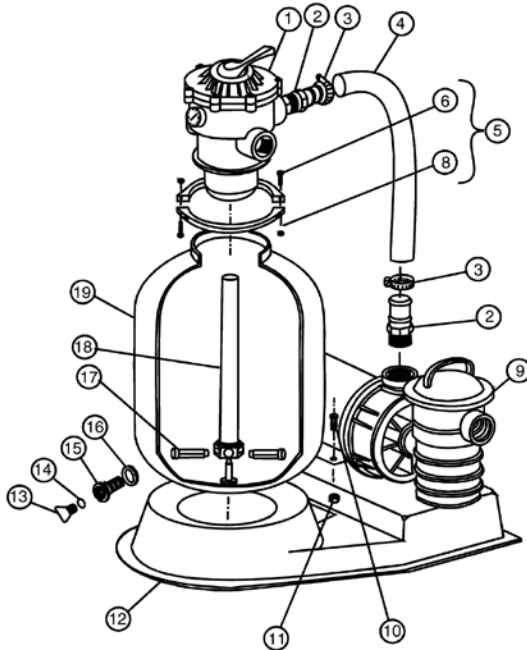
CALIFORNIA PROPOSITION 65 WARNING

⚠ **WARNING:** Cancer and Reproductive Harm.
 ⚠ **AVERTISSEMENT:** Peut Causer le Cancer et des Dommages au Système Reproducteur.
 ⚠ **ADVERTENCIA:** Cáncer y Daño Reproductivo.

www.p65warnings.ca.gov
PR001741

SAND DOLLAR® FILTER SYSTEMS

REPLACEMENT PARTS FOR SYSTEMS MANUFACTURED PRIOR TO 2009



CALIFORNIA PROPOSITION 65 WARNING
 ⚠️ **WARNING:** Cancer and Reproductive Harm.
 ⚠️ **AVERTISSEMENT:** Peut Causer le Cancer et des Dommages au Système Reproducteur.
 ⚠️ **ADVERTENCIA:** Cáncer y Daño Reproductivo.
www.p65warnings.ca.gov PR 2011-14

Item	Part No.	Description	US List	Can. List
SAND DOLLAR FILTER SYSTEMS PRIOR TO 2009				
1	262506	6 Way Valve assy.	CALL	CALL
2	711006	Adapter - 1-1/2 in. hose, 2 req.	7.41	8.90
2	150046	Adapter w/ chlorinator conn., 2 req.	10.21	12.27
3	711004	Clamp-hose, 3 req.	6.55	7.87
4	154893	Hose 21-1/2 in. clear/grey spiral, SD 35	47.53	57.11
4	154894	Hose 26 in clear/grey spiral, SD 40	50.94	61.21

Item	Part No.	Description	US List	Can. List
4	154895	Hose 30 in. clear/grey spiral, SD 60	53.26	64.00
5	152165	Clamp assy. - aboveground system ¹	26.97	32.41
6	152168	Screw #M6 x 1 pan hd. Phillips s/s, 2 req. ¹	2.30	2.76
8	152167	Nut #M6 s/s, 2 req. ¹	1.65	1.98
9	Dynamo® Pump Page 536			
10	354265	Screw - 1/4 in.-18 hex washer hd., 2 req. ²	2.36	2.84
11	155109	Nut-T4 prong 5/16 in.-18, req. ²	0.36	0.43
12	152901	Base assy. ²	CALL	CALL
13	357161	Plug-drain 1/4 in. NPT wing ⁵	4.42	5.31
14	192115	O-ring-drain plug (1/16 in. x 1/2 in. i.d.) ⁵	1.39	1.67
15	150055	Drain Kit ⁴	56.39	67.76
16	154713	Gasket, sand drain ³	1.69	2.03
17	155007	Lateral - SD 35, 8 req.	7.90	9.49
17	152290	Lateral - SD 40 & 60, 8 req.	8.27	9.94
17	150084	Lateral - SD 35, SD 40 ⁴	7.51	9.02
17	150085	XLong Lateral SD 60 ⁴	9.43	11.33
18	155504	Assy.-SD 35 internal piping	54.42	65.39
18	155062	Assy.-SD 40 internal piping	52.24	62.77
18	155532	Assy.-SD 60 internal piping	131.82	158.39
19	145324	Tank w/ internals-SD 35 almond	478.99	575.55
19	145327	Tank w/ internals-SD 40 almond	483.46	580.93
19	145330	Tank w/ internals-SD 60 almond	647.32	777.82
20	272531	HiFlow 1-1/2 in. top valve assy.	177.17	212.89
NOT SHOWN				
	155151	Hose, 1-1/2 in. x 6 ft., filter/pump to pool	108.80	130.73
	155005	Hose, 1-1/2 in. x 12 ft., filter/pump to pool	143.58	172.53
	154712Z	1-1/2 in. drain cap	38.36	46.09
	154715	O-Ring for 1-1/2 in. drain cap	6.25	7.51
	155167	Kit Bag Systems	134.07	161.10

¹ P/N 152165 (clamp assy.) consists of 2 each of the following: P/N 152166 (clamp half), P/N 152167 (nut) and P/N 152168 (screw).

² P/N 152901 (aboveground base) consists of P/N 152900 (base) and 2 each of the following: P/N 155109 (T4 nuts) and P/N 354265 (screw).

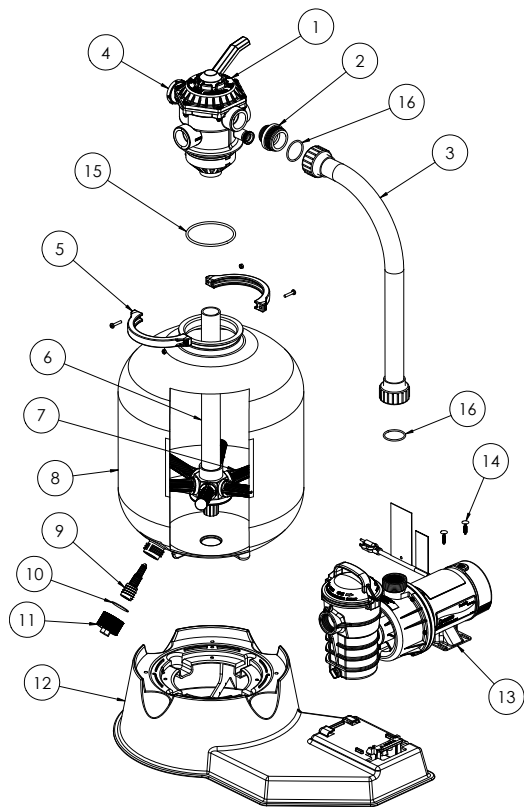
³ P/N 192040 O-ring used on tanks manufactured after 1/1/03.

⁴ Manufactured after 10/04.

⁵ Manufactured before 10/04.

CRISTAL-FLO™ II FILTER SYSTEMS

REPLACEMENT PARTS FOR SYSTEMS MANUFACTURED 2009 AND BEYOND



CALIFORNIA PROPOSITION 65 WARNING
 ⚠️ **WARNING:** Cancer and Reproductive Harm.
 ⚠️ **AVERTISSEMENT:** Peut Causer le Cancer et des Dommages au Système Reproducteur.
 ⚠️ **ADVERTENCIA:** Cáncer y Daño Reproductivo.
www.p65warnings.ca.gov PK2017A

Item	Product	Description	US List	Can. List
CRISTAL-FLO II FILTER SYSTEMS 2009 AND BEYOND				
1	262506	Valve, 1-1/2 Inch, 6-Way	CALL	CALL
2	354588	Adaptor, NPT to Buttress	22.11	26.57
3	155726	Pump to Filter Assy (JWP/ABG to 16 in. Tank)	68.23	81.99
3	155727	Pump to Filter Assy (JWP/ABG to 19 in. Tank)	71.33	85.71
3	155728	Pump to Filter Assy (JWP/ABG to 22 in. Tank)	75.13	90.28
3	155709	Pump to Filter Assy (Dynamo/OptiFlo to 16 in. Tank)	68.23	81.99
3	155710	Pump to Filter Assy (Dynamo/OptiFlo to 19 in. Tank)	71.33	85.71
3	155711	Pump to Filter Assy (Dynamo/OptiFlo to 22 in. Tank)	75.13	90.28
4	190059Z	Pressure Gauge	CALL	CALL
5	152165	Clamp Assembly	26.97	32.41
6	152229	Piping Assembly – 16 in. Tank	135.18	162.43
6	152228	Piping Assembly – 19 in. Tank	124.80	149.96
6	152227	Piping Assembly – 22 in. Tank	145.09	174.34
7	150084	Lateral – 16 in. & 19 in. Tanks	7.51	9.02
7	150085	Lateral – 22 in. Tanks	9.43	11.33
8	145364	Tank w/ Drain – 16 in. Tank	298.16	358.27
8	145365	Tank w/ Drain – 19 in. Tank	395.53	475.27
8	145366	Tank w/ Drain – 22 in. Tank	547.65	658.06
9	154711Z	Sand Drain	CALL	CALL
10	154715	Gasket (Sand Drain)	6.25	7.51
11	154712Z	Drain Cap	38.36	46.09
12	155333P	Systems Base	103.70	124.61
12	155333CP	Systems Base, CSA Pump	103.69	124.59
13		Pump		
14	710009	Base Hardware Kit	18.11	21.76
15	272541	O-Ring Valve Body	8.80	10.57
16	354571	O-Ring, Union	3.84	4.61
NOT SHOWN				
	155151	Kit, Flex Hose, 6 ft. ¹	108.80	130.73
	155005	Kit, Flex Hose, 12 ft. ¹	143.58	172.53
	155767	Conn Kit, Pump to Filter All sizes	37.24	44.75

¹ Replacement hose kits include (2) hoses, (4) hose adapters and (4) hose clamps.

ACCESSORIES

FOR ABOVEGROUND SYSTEMS

We recommend the use of GFCI with all filter systems.



AquaLuminator 98600000



3 ft. Twist Lock cord 155234



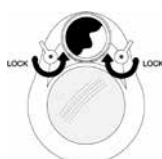
Quasar Non-return light for aboveground pools 98605300



300 Series Chlorinator/ Feeder R171016



Hard Plumbing Adapter



Pressure Cleaner Adapter



Fountain Attachment



6 ft. Hose Kit 155151
12 ft. Hose Kit 155005



Sand Vac 542090

Part No.	Description	US List	Can. List
ACCESSORIES			
79137800	3 ft. Standard cord	70.91	85.21
155234	3 ft. cord with twist lock	86.40	103.82
155151	1-1/2 in. x 6 ft. hose kit, (to and from pool)	108.80	130.73
155005	1-1/2 in. x 12 ft. hose kit, (to and from pool)	143.58	172.53
150046	Hose adapter 1-1/2 in. NPT with Chlorinator connector	10.21	12.27
542413	Aboveground wall fitting 1-1/2 THD x 1-1/2 THD-white	CALL	CALL
542414	Aboveground wall fitting 1-1/2 THD x 1-1/2 socket-white	CALL	CALL
98600000	AquaLuminator aboveground light	CALL	CALL
98610002	AquaLuminator aboveground light (Canada CSA) certified	CALL	CALL
K50600	E-Z Vac Pool Cleaner	CALL	CALL
360100	Kreepy Krauly 'Lil Shark Pool Cleaner	CALL	CALL
360321	Kreepy Krauly 910 Robotic Pool Cleaner	CALL	CALL
542090	Sand Vac – empties a sand filter in 10 min for repair, refilling or removal	215.54	258.99
R171016	300 Series Off-Line Chlorinator Feeder	CALL	CALL
98605300	Quasar Non-Return Light	CALL	CALL
79203100	Adapter to connect AquaLuminator to cleaner	69.77	83.84
79100000Z	Fountain attachment, fits all AquaLuminator models	64.39	77.37
79202900	Hard plumbing adapter	10.03	12.05

CALIFORNIA PROPOSITION 65 WARNING
 ⚠️ **WARNING:** Cancer and Reproductive Harm.
 ⚠️ **AVERTISSEMENT:** Peut Causer le Cancer et des Dommages au Système Reproducteur.
 ⚠️ **ADVERTENCIA:** Cáncer y Daño Reproductivo.
www.p65warnings.ca.gov PH2017L4

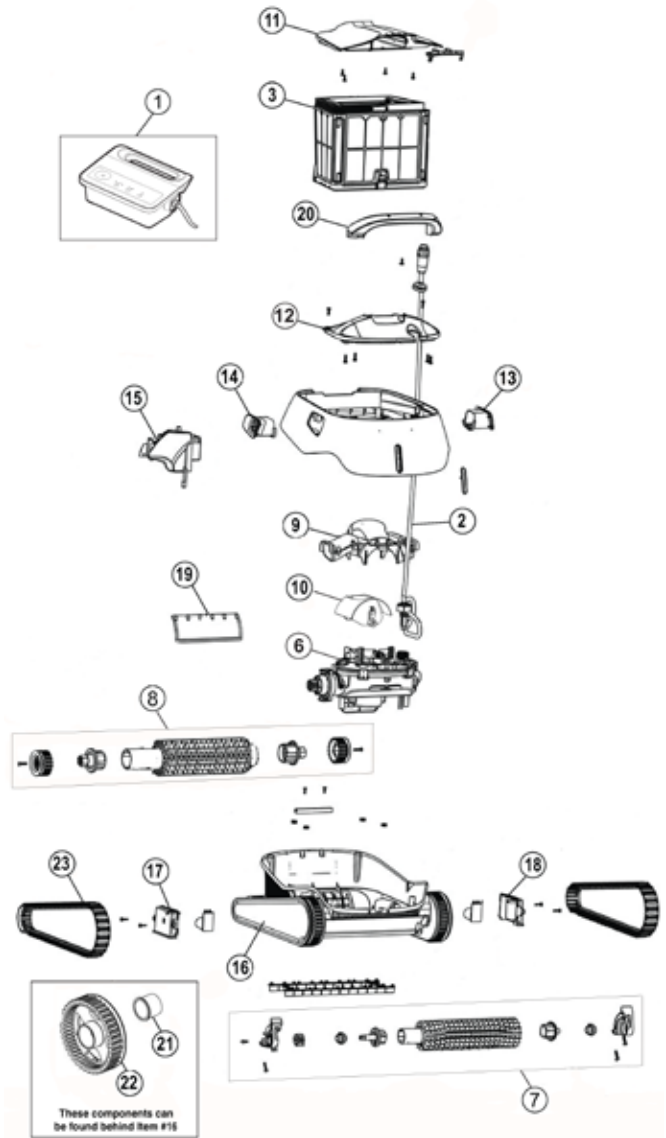
AUTOMATIC POOL CLEANER PARTS

Product Catalog 2020

PENTAIR PROWLER® 930/PENTAIR WARRIOR® SI

CLEANER REPLACEMENT PARTS

Item	Part No.	Description	US List	Can. List
PROWLER 930/WARRIOR SI				
1	360360	Power Supply	529.26	635.96
2	360446	Communication Cable	461.06	554.01
3	360362	Outer Filter Basket	282.27	339.18
6	360365	Motor Unit	904.74	1087.14
7	360366	Front Brush Assembly	14.08	16.92
8	360388	Front Brush Assembly	14.08	16.92
9	360370	Manifold Assembly	19.71	23.68
10	360371	Impeller Cover	9.24	11.10
11	360447	Filter Cover	34.88	41.91
12	360375	Intermediate Cover	19.89	23.90
13	360377	Left Grill	6.31	7.58
14	360378	Right Grill	6.31	7.58
15	360379	Internal Float	5.63	6.77
16	360380	Side Panel	20.40	24.51
17	360382	Bypass Cover, Left	5.63	6.77
18	360383	Bypass Cover, Right	5.63	6.77
19	360384	Rapid Drain Flap	11.27	13.54
20	360385	Handle Assembly	33.47	40.22
21	360388	Front Brush Bushing	14.08	16.92
22	360381	Front Wheel	5.63	6.77
23	360342	Track	39.48	47.44
NOT SHOWN				
	360445	Inner Filter Basket	CALL	CALL
	360363	Cartridge Filter Kit	201.63	242.28
	360449	Net Filter Kit	CALL	CALL
	360340	Impeller	16.95	20.37
	360165	Cleaner Caddy	257.14	308.98



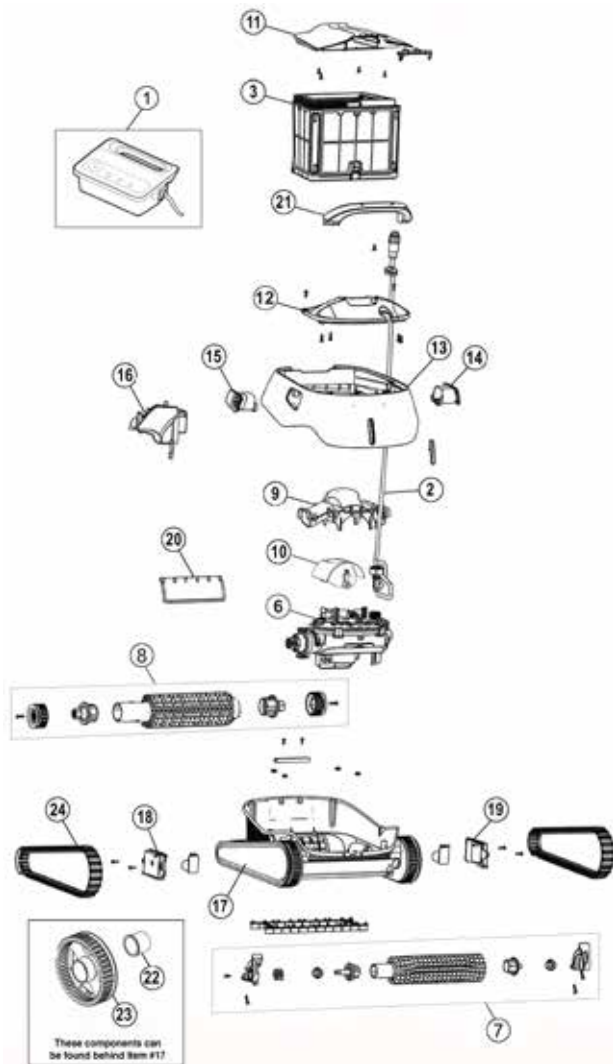
CALIFORNIA PROPOSITION 65 WARNING

⚠️ **WARNING:** Cancer and Reproductive Harm.
 ⚠️ **AVERTISSEMENT:** Peut Causer le Cancer et des Dommages au Système Reproducteur.
 ⚠️ **ADVERTENCIA:** Cáncer y Daño Reproductivo.

www.p65warnings.ca.gov
PA2017A

PENTAIR PROWLER® 920 / WARRIOR® SE

CLEANER REPLACEMENT PARTS



Item	Part No.	Description		
PROWLER 920/WARRIOR SE				
1	360400	Power Supply	547.03	657.31
2	360361	Communication Cable	176.43	212.00
3	360362	Filter Basket	282.27	339.18
6	360365	Motor Unit	904.74	1087.14
7	360366	Front Brush Assembly	14.08	16.92
8	360367	Rear Brush Assembly	23.72	28.50
9	360370	Manifold Assembly	19.71	23.68
10	360371	Impeller Cover	9.24	11.10
11	360374	Filter Cover	28.39	34.11
12	360375	Intermediate Cover	19.89	23.90
13	360376	External Housing	75.89	91.19
14	360377	Left Grill	6.31	7.58
15	360378	Right Grill	6.31	7.58
16	360379	Internal Float	5.63	6.77
17	360380	Side Panel	20.40	24.51
18	360382	Bypass Cover, Left	5.63	6.77
19	360383	Bypass Cover, Right	5.63	6.77
20	360384	Rapid Drain Flap	11.27	13.54
21	360385	Handle Assembly	33.47	40.22
22	360388	Front Wheel Bushing	14.08	16.92
23	360381	Front Wheel	5.63	6.77
24	360342	Track	39.48	47.44
NOT SHOWN				
	360340	Impeller	16.95	20.37
	360363	Cartridge Filter Kit	201.63	242.28
	360364	Net Filter Kit	108.58	130.47

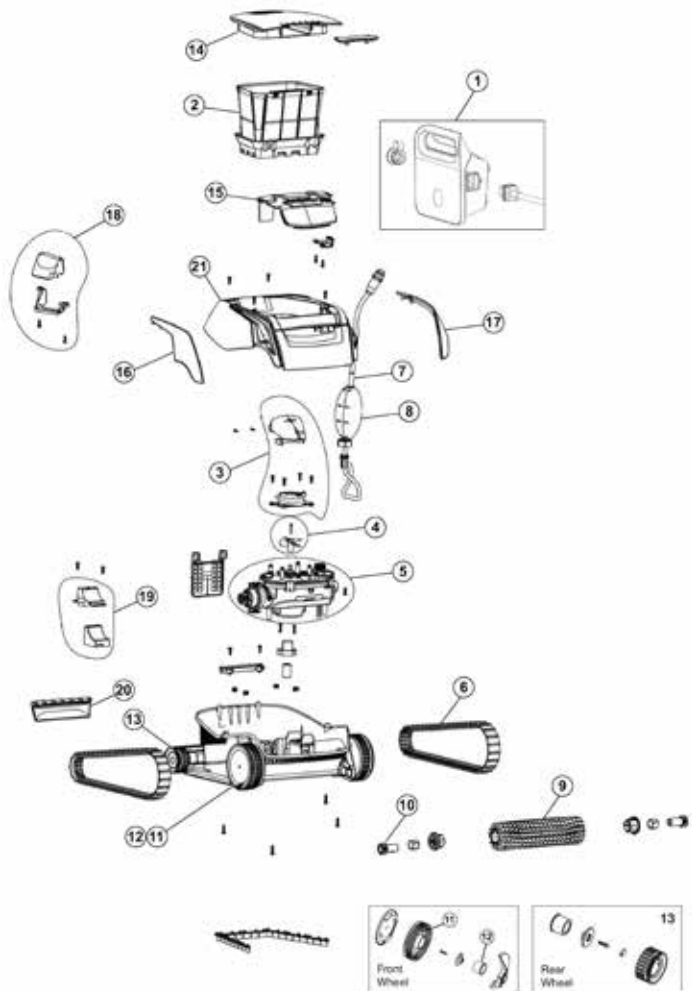
CALIFORNIA PROPOSITION 65 WARNING

⚠ **WARNING:** Cancer and Reproductive Harm.
 ⚠ **AVERTISSEMENT:** Peut Causer le Cancer et des Dommages au Système Reproducteur.
 ⚠ **ADVERTENCIA:** Cáncer y Daño Reproductivo.
www.p65warnings.ca.gov

PENTAIR PROWLER® 910 / WARRIOR SL

CLEANER REPLACEMENT PARTS

Item	Part No.	Description		
PROWLER 910/WARRIOR SL				
1	360337	Power Supply	529.24	635.93
2	360338	Filter Assembly	141.15	169.61
3	360339	Impeller Cover	14.14	16.99
4	360340	Impeller	16.95	20.37
5	360341	Motor Unit	633.54	761.26
6	360342	Track	39.48	47.44
7	360343	Communication Cable	102.93	123.68
8	360344	Cable Float	19.71	23.68
9	360345	Active Brush	16.09	19.33
10	360346	Brush Mounting	11.27	13.54
11	360381	Front Wheel	5.63	6.77
12	360388	Front Wheel Bushing	14.08	16.92
13	360348	Rear Wheel Assembly	21.59	25.94
14	360349	Filter Cover	56.43	67.81
15	360350	Intermediate Cove	CALL	CALL
16	360351	Side Cover, Left	8.44	10.14
17	360352	Side Cover, Right	8.44	10.14
18	360354	Internal Top Float and Housing	5.63	6.77
19	360355	Internal Bottom Float and Housing	5.63	6.77
20	360356	Float Rubber Cover	8.44	10.14
21	360358	External Housing	45.16	54.26



CALIFORNIA PROPOSITION 65 WARNING

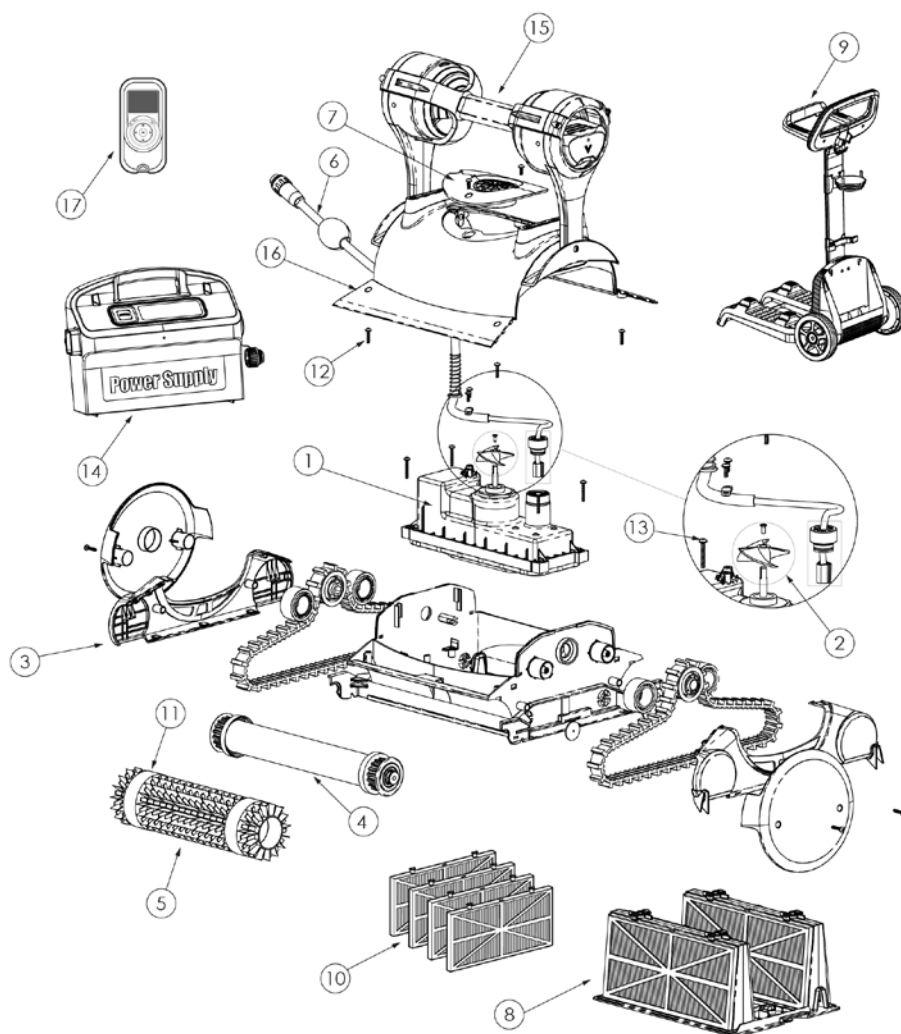
⚠ **WARNING:** Cancer and Reproductive Harm.
 ⚠ **AVERTISSEMENT:** Peut Causer le Cancer et des Dommages au Système Reproducteur.
 ⚠ **ADVERTENCIA:** Cáncer y Daño Reproductivo.

www.p65warnings.ca.gov

PA2017A

KREEPY KRAULY® PROWLER® 830

CLEANER REPLACEMENT PARTS



Item	Part No.	Description	US List	Can. List
PROWLER 830 REPLACEMENT PARTS				
1	360147	Motor - 830	1037.71	1246.91
2	360131	Impeller - 820/830	34.14	41.02
3	360133	Timing track - 820/830	84.18	101.15
4	360135	Wheel tube - 820/830	132.52	159.24
5	360136	Brush - 820/830	103.03	123.80
6	360137	Cable - 820/830	583.51	701.15
7	360139	Prowler impeller cover	13.50	16.22
8	360140	Cartridge assembly - 820/830	285.74	343.35
9	360141	Caddy/Cart	CALL	CALL
10	360123	Spring filter - 820/830	127.56	153.28
11	360142	Climbing ring (4) - 820/830	163.36	196.29
12	360143	Small screw - 820/830	18.87	22.67
13	360144	Large screw - 820/830	18.87	22.67

Item	Part No.	Description	US List	Can. List
14	360126	Power supply - 830	579.20	695.97
15	360145	Handle - 830	176.82	212.47
16	360146	Cover - 830	204.06	245.20
17	360149	Remote - 830	325.83	391.52
NOT SHOWN				
	360124	Cartridge Filter Kit - 820/830	210.22	252.60
	360146	Wonder Brush Kit (for slick pool surfaces) - 820/830	204.06	245.20
	360149	Screw Kit Caddy	325.83	391.52
	360157	Foam Float 300CC	6.81	8.18
	360158	Foam Float 500CC	6.81	8.18

CALIFORNIA PROPOSITION 65 WARNING

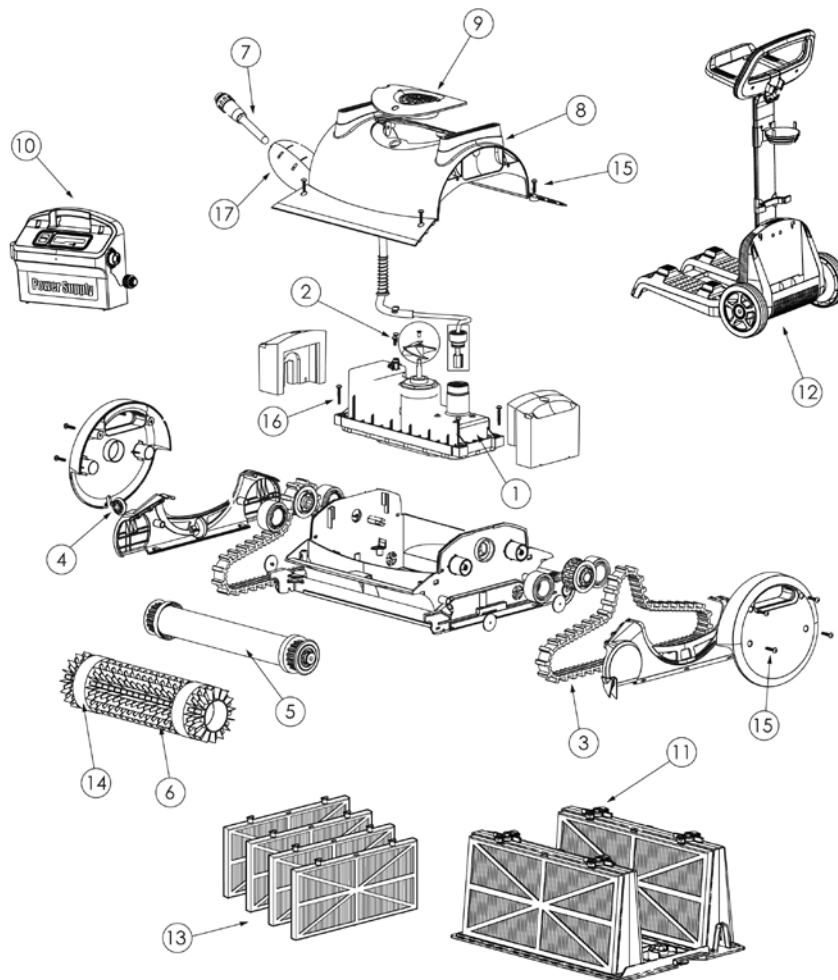
▲ **WARNING:** Cancer and Reproductive Harm.
 ▲ **AVERTISSEMENT:** Peut Causer le Cancer et des Dommages au Système Reproducteur.
 ▲ **ADVERTENCIA:** Cáncer y Daño Reproductivo.

www.p65warnings.ca.gov

PR020114A

KREEPY KRAULY® PROWLER® 820

CLEANER REPLACEMENT PARTS



Item	Part No.	Description	US List	Can. List
PROWLER 820 REPLACEMENT PARTS				
1	360132	Motor - 820	882.59	1060.52
2	360131	Impeller - 820/830	34.14	41.02
3	360133	Timing track	84.18	101.15
4	360134	Side wheel - 820	15.81	19.00
5	360135	Wheel tube - 820/830	132.52	159.24
6	360136	Brush - 820/830	103.03	123.80
7	360137	Cable - 820/830	583.51	701.15
8	360138	Case - 820	204.06	245.20
9	360139	Impeller cover	13.50	16.22
10	360125	Power supply - 820	579.20	695.97
11	360140	Cartridge assembly - 820/830	285.74	343.35

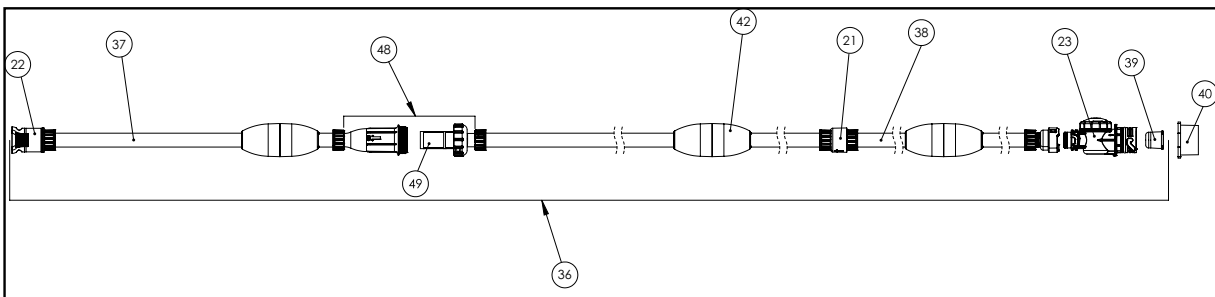
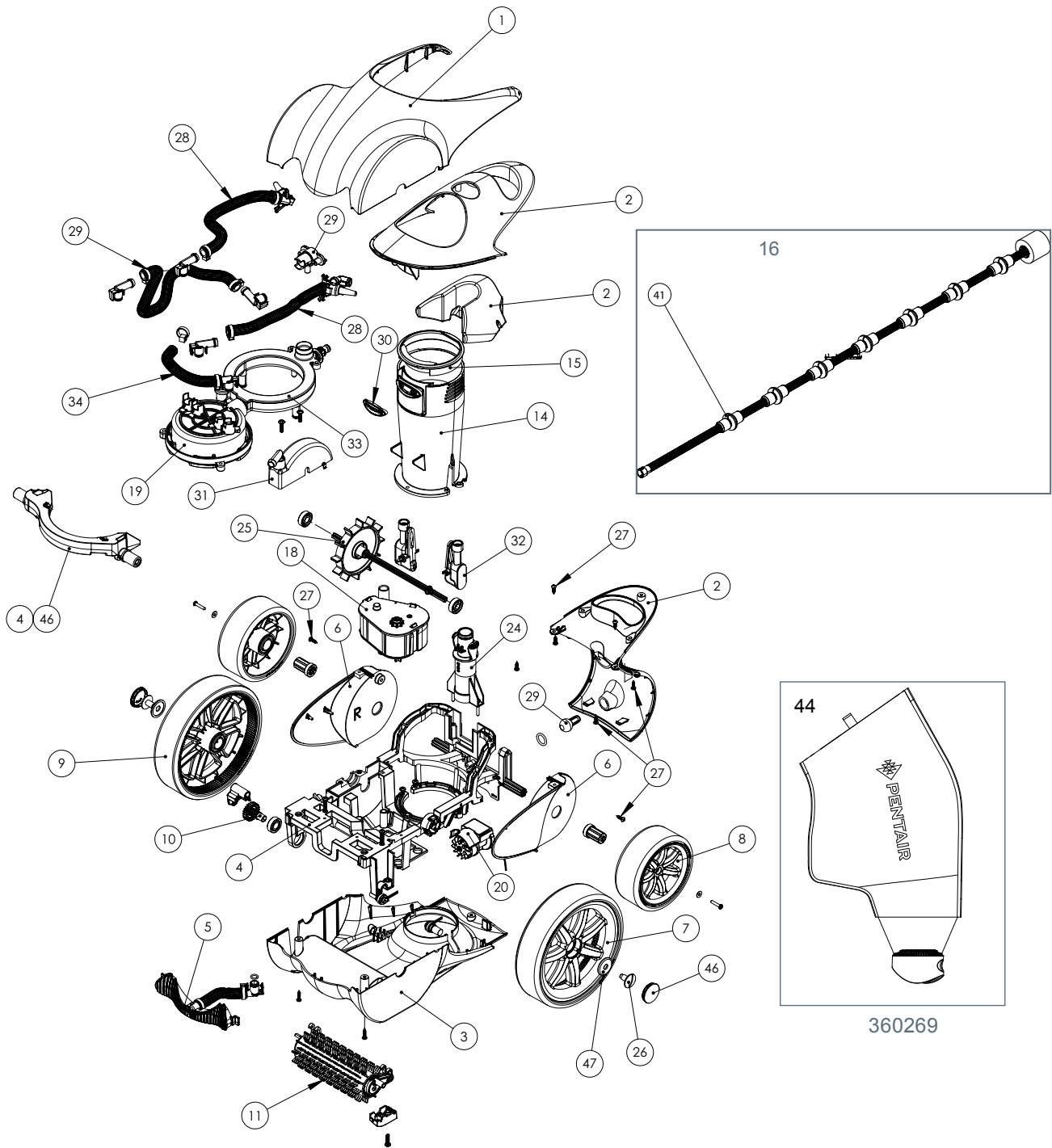
Item	Part No.	Description	US List	Can. List
12	360141	Caddy	CALL	CALL
13	360123	Spring filter - 820/830	127.56	153.28
14	360142	Climbing ring (4) - 820/830	163.36	196.29
15	360143	Small screw - 820/830	18.87	22.67
16	360144	Large screw - 820/830	18.87	22.67
17	360150	Float Kit - 820	436.37	524.34
NOT SHOWN				
	360124	Cartridge Filter Kit - 820/830	210.22	252.60
	360148	Wonder Brush Kit (for slick pool surfaces) - 820/830	533.40	640.93

CALIFORNIA PROPOSITION 65 WARNING

⚠ **WARNING:** Cancer and Reproductive Harm.
 ⚠ **AVERTISSEMENT:** Peut Causer le Cancer et des Dommages au Système Reproducteur.
 ⚠ **ADVERTENCIA:** Cáncer y Daño Reproductivo.
www.p65warnings.ca.gov

PENTAIR RACER® PRESSURE SIDE CLEANER

CLEANER REPLACEMENT PARTS



PENTAIR RACER® PRESSURE SIDE CLEANER (CONT'D)

CLEANER REPLACEMENT PARTS

Item	Part No.	Description	US List	Can. List
RACER REPLACEMENT PARTS				
1	360229	Top Front Cover Kit	46.01	55.29
2	360230	Rear Cover Kit	66.67	80.11
3	360231	Bottom Cover Kit	23.00	27.64
4	360391	Chassis Kit w/Tie Bar	68.82	82.69
5	360233	Front Grill Kit	19.85	23.85
6	360234	Side Covers Kit	26.65	32.02
7	360235	Large Wheel Kit	50.56	60.75
8	360236	Small Wheel Kit	72.63	87.27
9	360237	Large Tires Kit	53.19	63.91
10	360238	Scrubber Gear Kit	15.58	18.72
11	360239	Scrubber Kit	72.29	86.86
12*	360240	Debris Bag Kit (w/o collar), hook and loop fastener	52.38	62.94
13*	360241	Debris Bag Collar Kit	CALL	CALL
14	360242	Vacuum Tube Kit	40.33	48.46
15	360243	Debris Valve Kit	6.87	8.25
16	360244	Sweep Hose Kit	62.05	74.56
17	360245	Sweep Hose Scrubber Kit	15.49	18.61
18	360246	Gear Box Kit	48.36	58.11
19	360247	Timer Valve Kit	83.26	100.05
20	360248	LED Kit	179.83	216.08
21	360249	Feedline Swivel Kit (incl. (swivel -1) (Mender Nut - 2)	58.04	69.74
22	360250	Feedline Quick Connector to cleaner Kit (mender nut, swivel and connector)	28.64	34.41
23	360251	Feedline Wall Connector Kit (wall fitting w/2 O-rings)	40.62	48.81
24	360252	Feed Mast Kit (feed tube, oring & 2 screws)	10.96	13.17
25	360253	Drive Shaft Kit (drive shaft & 2 bearings)	26.05	31.30
26	LLC55PMB	Wheel Screw Kit	5.70	6.85
27	360255	Screw Kit (11 1/2", 4 5/8", 9 machine & 2 1")	12.56	15.09
28	360256	Turn Jet Hose Kit (R & L hose assembly)	34.47	41.42
29	360257	Rear Thrust Jet Hose Kit (thrust jet assembly & 2 5/8" screws)	23.57	28.32
30	360258	Rubber Button Kit (rubber button)	1.66	1.99
31	360414	Turbine Kit	23.27	27.96
32	360260	Venturi manifold Kit	17.85	21.45
33	360261	Water Management Kit	31.30	37.61
34	360262	Turbine Hose Kit	12.71	15.27

Item	Part No.	Description	US List	Can. List
35	360263	See Racer Tune-Up Kit below	183.90	220.97
36	360264	Feed Line Hose Kit Complete	383.05	460.27
37	360265	Soft Feed Line Hose Kit 10'	108.13	129.93
38	360266	Hard Feed Line Hose Kit 10'	117.03	140.62
39	E24	Debris Screen	11.78	14.15
40	LL23PM	Threaded Wall Adapter	11.29	13.57
41	EB10G	Sweep Hose Wear Ring	14.89	17.89
42	360270	Feed Line Float	CALL	CALL
43*	360268	Feed Line O-Ring Kit (1 - 017, 1 - 020, 6 - 011, 1 - 012, 1 - 027 & 1 - 220)	8.86	10.65
44	360269	Debris Bag w/Mechanical Lock	CALL	CALL
45*	360274	Wheel Hump Insert Kit	22.19	26.66
46	360434	Axle Kit	40.51	48.68
47	EC64	Wheel Washer Kit	6.98	8.39
48	360392	Inline Filter Kit	46.93	56.39
49	360437	Replacement Screen Cartridge	5.79	6.96

INCLUDED IN RACER TUNE-UP KIT

35	360263	Kit Includes: Bag (1), Driveshaft (1), Wheel Bearings (4), Drive-shaft Bearings (2), Scrubber Bearing (1), Large Tires (2), Scrubber (1), Small Wheel (2), Needle Bearing (2), Wheel Screws (2), 1/2" Screws (2), Hub-caps (2)	183.90	220.97
----	--------	---------------------------------------------------------------------------------------------------------------------------------------------------------------------------------------------------------------------------------------	--------	--------

NOT SHOWN

360320	Quick Disconnect Hose Connector Kit	4.64	5.58
--------	-------------------------------------	------	------

Note: (*) Not shown

¹ If cleaner was manufactured before 01/15/16, replacement of Item #33 360261 Water Management Tub will be required

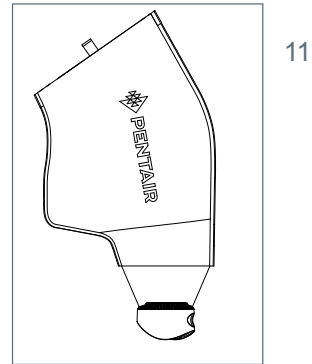
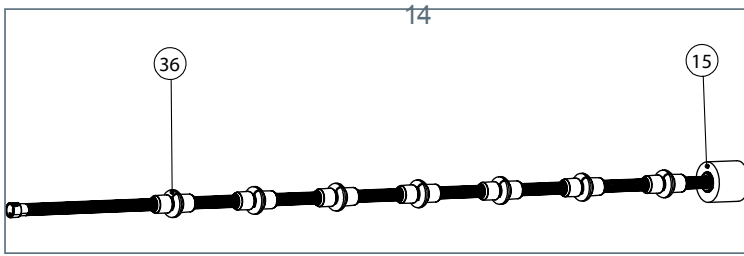
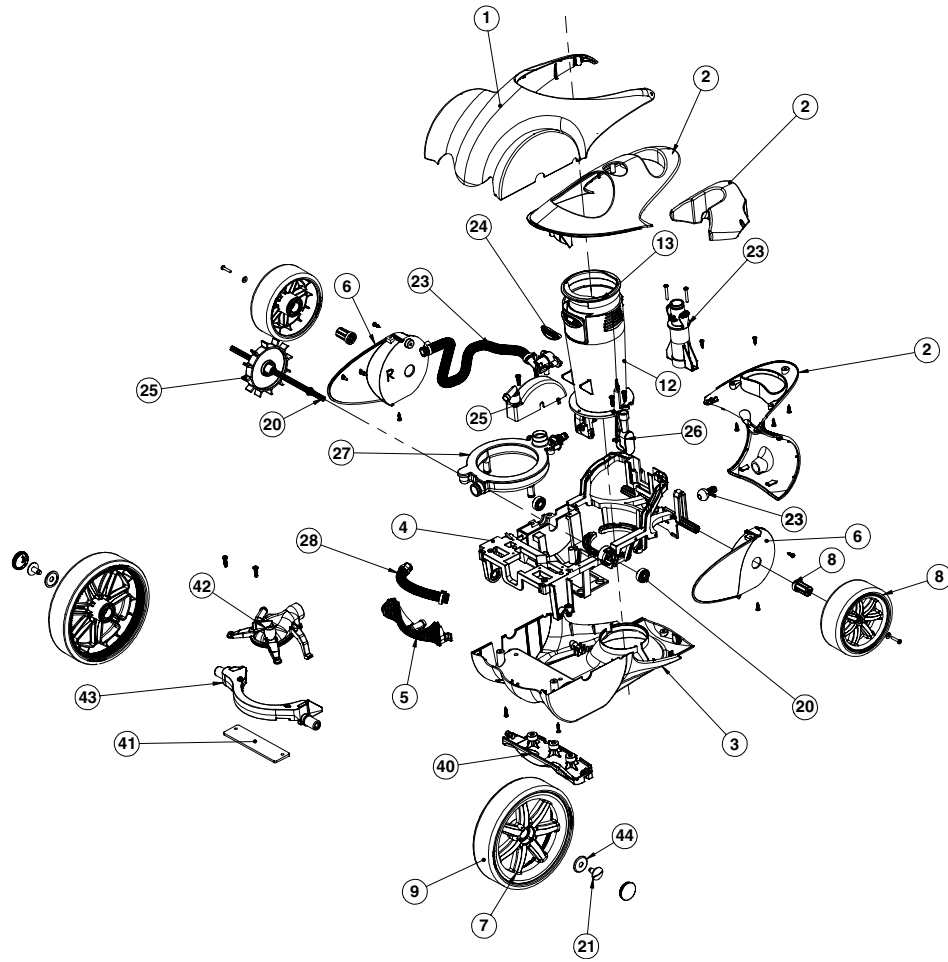
CALIFORNIA PROPOSITION 65 WARNING

▲ **WARNING:** Cancer and Reproductive Harm.
▲ **AVERTISSEMENT:** Peut Causer le Cancer et des Dommages au Système Reproducteur.
▲ **ADVERTENCIA:** Cáncer y Daño Reproductivo.

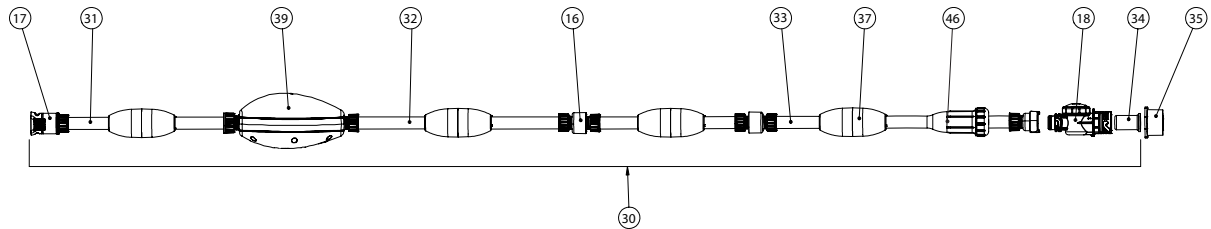
www.p65warnings.ca.gov
PR20071A

PENTAIR RACER® LS PRESSURE SIDE CLEANER

CLEANER REPLACEMENT PARTS



360241



CALIFORNIA PROPOSITION 65 WARNING

▲ **WARNING:** Cancer and Reproductive Harm.
 ▲ **AVERTISSEMENT:** Peut Causer le Cancer et des Dommages au Système Reproducteur.
 ▲ **ADVERTENCIA:** Cáncer y Daño Reproductivo.
www.p65warnings.ca.gov

PENTAIR RACER® LS PRESSURE SIDE CLEANER (CONT'D)

CLEANER REPLACEMENT PARTS

Item	Part No.	Description	US List	Can List
RACER LS REPLACEMENT PARTS				
1	360422	Top Front Cover Kit	45.85	55.09
2	360425	Rear Cover Kit	44.93	53.99
3	360424	Bottom Cover Kit	17.59	21.14
4	360427	Chassis Kit	CALL	CALL
5	360426	Grill Kit	6.07	7.29
6	360423	Side Covers Kit	28.47	34.21
7	360235	Large Wheel Kit	50.56	60.75
8	360236	Small Wheel Kit	72.63	87.27
9	360237	Large Tires Kit	53.19	63.91
10*	360240	Debris Bag Kit (w/o collar), hook and loop fastener	52.38	62.94
11	360241	Debris Bag Collar Kit	CALL	CALL
12	360242	Vacuum Tube Kit	40.33	48.46
13	360243	Debris Valve Kit	6.87	8.25
14	360244	Sweep Hose Kit	62.05	74.56
15	360245	Sweep Hose Scrubber Kit	15.49	18.61
16	360249	Feedline Swivel Kit	58.04	69.74
17	360250	Feedline Quick Connector Kit	28.64	34.41
18	360251	Feedline Wall Connector Kit	40.62	48.81
19	360252	Feedline Connector Kit	10.96	13.17
20	360253	Drive Shaft Kit	26.05	31.30
21	LLC55PMB	Wheel Screw Kit	5.70	6.85
22*	360255	Screw Kit	12.56	15.09
23	360419	Thrust Hose Kit	14.76	17.74
24	360258	Rubber Button Kit	1.66	1.99
25	360414	Turbine Housing Kit	23.27	27.96
26	360260	Venturi Manifold Kit	17.85	21.45
27	360416	Water Management Kit	15.52	18.65
28	360420	Turbine Hose Kit	7.35	8.83
29	360417	Tune Up Kit	163.65	196.64
30	360431	Hose Assy	398.66	479.03
31	360429	Leader Hose, 2.5 Ft.	43.17	51.87
32	360430	Leader Hose 7.5 Ft.	68.69	82.54
33	360266	Hard Feedline Hose Kit, 10 Ft.	117.03	140.62
34	E24	Debris Screen	11.78	14.15
35	LL23PM	Threaded Wall Adapter	11.29	13.57
36	EB10G	Sweep Hose Wear Ring	14.89	17.89
37	360270	Feed Line Float	CALL	CALL
38*	360268	Feed Line O-Ring Kit	8.86	10.65

Item	Part No.	Description	US List	Can List
39	360428	Backup Valve Kit	103.67	124.57
40	360421	Scrubber Cover Kit	24.21	29.09
41	360418	SS Weight Kit	11.27	13.54
42	360415	Manifold Kit	48.30	58.04
43	360434	Axle Replacement Kit	40.51	48.68
44	EC64	Wheel Washer Kit	6.98	8.39
45*	360436	Sweep Hose Cap	9.70	11.66
46	360392	In-Line Filter Assembly	46.93	56.39
47*	360437	Replacement In-line Filter Screen Kit	5.79	6.96
*	360320	Quick Disconnect Hose Connector Kit	4.64	5.58
INCLUDED IN RACER LS TUNE-UP KIT				
29	360417	Kit Includes: Bag (1), Driveshaft (1), Wheel Bearings (4), Driveshaft Bearings (2), Scrubber Bearing (1), Large Tires (2), Scrubber (1), Small Wheel (2), Needle Bearing (2), Wheel Screws (2), 1/2" Screws (2), Hubcaps (2)	163.65	196.64

Note: (*) Not shown

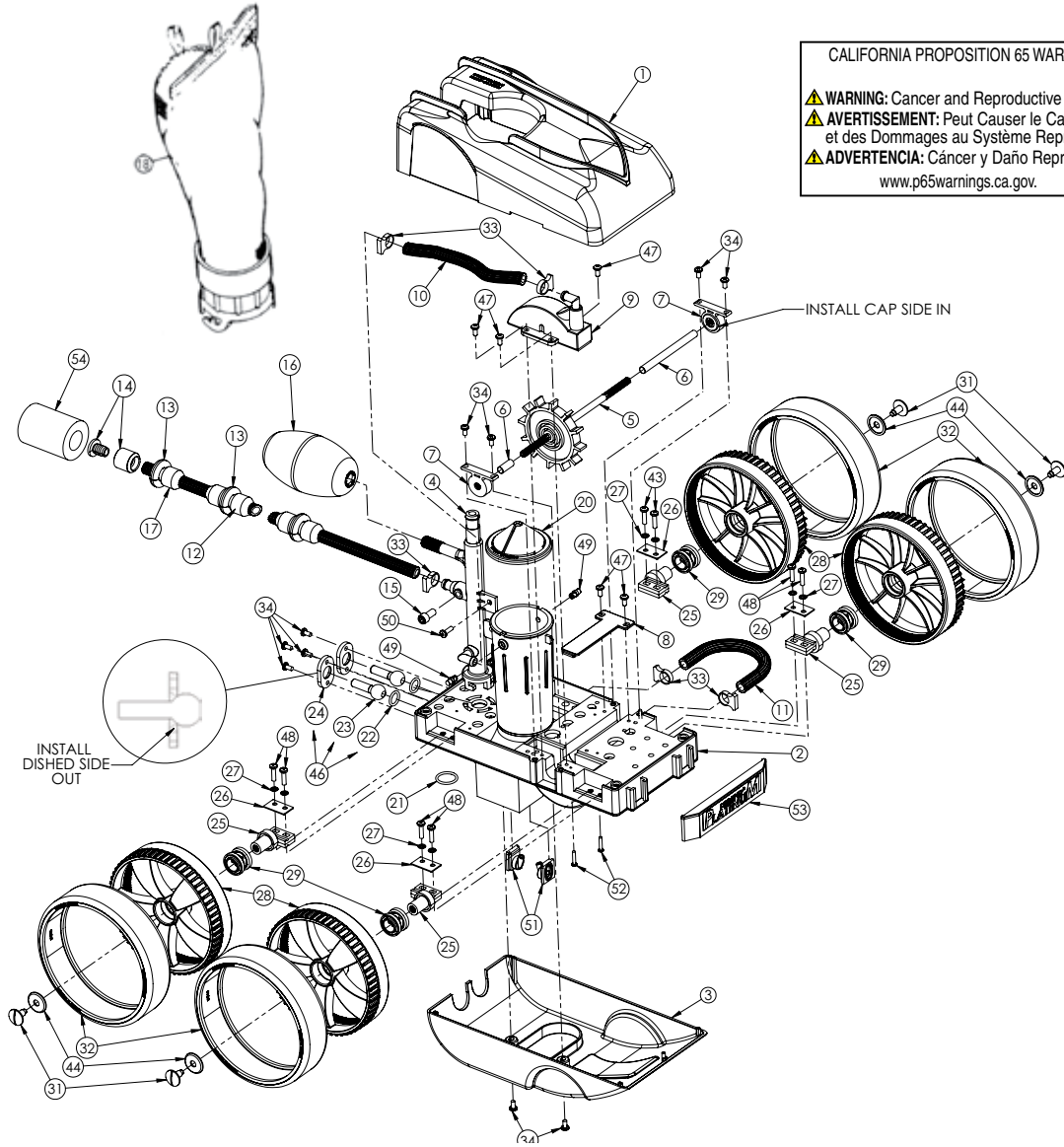
CALIFORNIA PROPOSITION 65 WARNING

▲ **WARNING:** Cancer and Reproductive Harm.
▲ **AVERTISSEMENT:** Peut Causer le Cancer et des Dommages au Système Reproducteur.
▲ **ADVERTENCIA:** Cáncer y Daño Reproductivo.

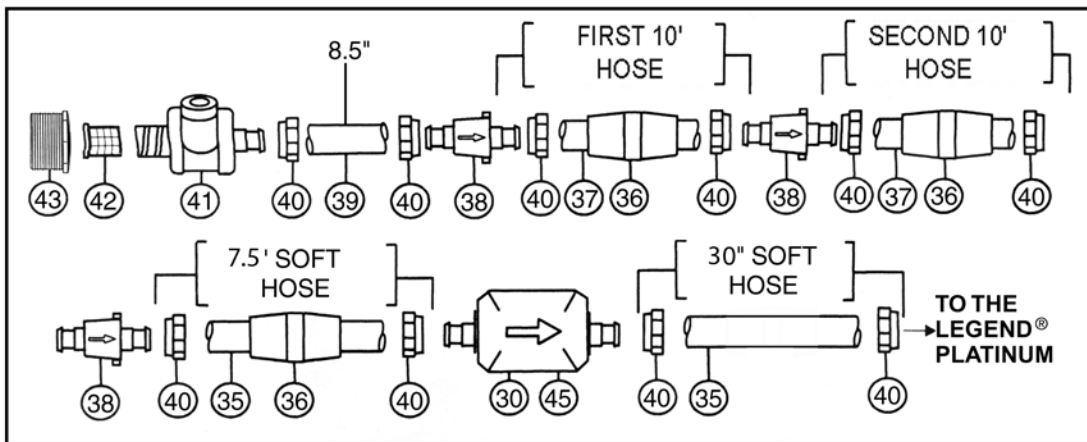
www.p65warnings.ca.gov. PR030714A

KREEPY KRAULY® PLATINUM™

CLEANER REPLACEMENT PARTS - 2012 MODEL



CALIFORNIA PROPOSITION 65 WARNING
 ⚠️ **WARNING:** Cancer and Reproductive Harm.
 ⚠️ **AVERTISSEMENT:** Peut Causer le Cancer et des Dommages au Système Reproducteur.
 ⚠️ **ADVERTENCIA:** Cáncer y Daño Reproductivo.
www.p65warnings.ca.gov PA 20071A



KREEPY KRAULY® PLATINUM™ (CONT'D)

CLEANER REPLACEMENT PARTS - 2012 MODEL

Item	Part No.	Qty.	Description	US List	Can. List
PLATINUM REPLACEMENT PARTS					
1	LLU5PM	1	Top Cover - Gray	141.28	169.76
2	LLU145N	1	Main Frame - White	1558.79	1873.04
2	LLU145NG	1	Main Frame - Gray	CALL	CALL
3	EU10N	1	Bottom Cover - White	79.44	95.46
3	LLU10NG	1	Bottom Cover - Gray	79.44	95.46
4	LLU6	1	Feed Mast with O-Ring - White	55.49	66.68
4	LLU6G	1	Feed Mast with O-Ring - Gray	67.45	81.05
5	EC86	1	Turbine Drive Shaft - Complete	43.34	52.08
6	EC83	1	Turbine Spacers	3.12	3.75
7	EC80	2	Turbine Bearings - Gray	42.41	50.96
8	EA40	1	Turbine Shaft Shield - White	9.55	11.48
8	LLA40G	1	Turbine Shaft - Gray	CALL	CALL
9	EC110	1	Turbine Shaft w/ Elbow - White	15.83	19.02
9	LLC110PM	1	Turbine Cover w/ Elbow - Gray	CALL	CALL
10	EX120	1	Turbine Cover Hose - 9 in. White	CALL	CALL
10	LLX120	1	Turbine Cover Hose - 9 in. - Gray	CALL	CALL
11	EC120	1	Venturi Jet - 7/3/4 in. - White	2.25	2.70
11	LLC120G	1	Venturi Jet - 7/3/4 in. - White	3.12	3.75
12	EB5L	1	Sweep Hose Complete - White	42.22	50.73
12	LLB5G	1	Sweep Hose Complete - Gray	62.32	74.88
13	EB10G	5	Sweep Hose - Wear Ring	14.89	17.89
14	EB25	1	Sweep Hose -Jet w/ Collar - White	4.47	5.37
14	LLB25PM	1	Sweep Hose - Jet w/ Collar - Gray	9.24	11.10
15	EB20	1	Sweep Hose Adj. Screw - White	3.62	4.35
15	LLB20G	1	Sweep Hose Adj. Screw - Gray	CALL	CALL
16	EA20	1	Ballast Float - White	CALL	CALL
16	LLA20G	1	Ballast Float - Gray	10.24	12.30
17	EH07	4	Sweep Hose - Hose Sleeve - White	5.80	6.97
17	LLH07PM	4	Sweep Hose - Hose Sleeve - Gray	7.88	9.47
18	EU15	1	Coarse Mesh Bag - Blue/White Collar	60.01	72.11
18	EU15G	1	Coarse Mesh Bag - Blue/Gray Collar	61.02	73.32
18	EU16	1	Fine Mesh Bag - Velcro Brand Fastner	47.10	56.60
18	EU16G	1	Fine Mesh Bag - Velcro Brand Fastner - Gray	53.58	64.38
19	360002	1	Fine Mesh Bag - White Collar	60.89	73.17
19	360009	1	Fine Mesh Bag - Gray Collar	60.90	73.18
20	EU9	1	Debris Valve	4.39	5.28
21	EU7	2	O-Ring for Feed Mast	1.90	2.28
22	E18	2	O-Ring for Thrust Jet	3.27	3.93
23	360027	2	Thrust Jets - White	CALL	CALL
23	360028	2	Thrust Jets - Gray	CALL	CALL
24	EC135	2	Thrust Jet Plates - White	6.38	7.67
24	LLC135G	2	Thrust Jet Plates - Gray	13.48	16.20
25	EC65	4	Axle - Large Wheels	5.96	7.16
26	EC70	8	Axle Plate	2.41	2.90
27	EC45	4	Axle - Lock Washer	3.87	4.65
28	370406Z	4	Wheel w/out Bearings - Gray	48.35	58.10
29	EC60	2	Wheel Bearings Only - White	23.43	28.15
30	E10	1	Back-Up Valve - White	115.96	139.34
30 *	LL10PM	1	Back-Up Valve - Gray	119.28	143.33
31	MC55G	5	Wheel Screw - Gray	CALL	CALL
32	370405Z	1	Wheel - Rubber Tire - Black	30.92	37.15
33	EB15	5	Hose Clamp	3.33	4.00

Item	Part No.	Qty.	Description	US List	Can. List
34	EC40	8	Screw	3.59	4.31
35	LLD50	1	Feed Hose - Clear soft 10 ft.	CALL	CALL
35 *	LLD50PM	1	Feed Hose - Gray soft 10 ft.	62.58	75.20
36	ED10P	10	Float For Feed Hose - White	8.22	9.88
36 *	LLD10PM	10	Float For Feed Hose - Gray	10.10	12.14
37	LLD45	2	Feed Hose - 10 ft. - White	35.35	42.48
37 *	LLD45PM	2	Feed Hose - 10 ft. - Gray	80.27	96.45
38	ED05	2	Swivel - Feed Hose - White	18.04	21.68
38 *	LLD05PM	2	Swivel - Feed Hose - Gray	26.33	31.64
39	LLU1	1	Adapter Hose 8 1/2 in. - White	6.38	7.67
39	LLU1PM	1	Adapter Hose 8 1/2 in. - Gray	7.16	8.60
40	ED15	8	Mender Nut - plastic - White	9.43	11.33
40 *	LLD15PM	8	Mender Nut - plastic - Gray	5.79	6.96
41 *	LLW22PM	1	Wall Fitting - Gray	59.79	71.84
41	EW22	1	Wall Fitting - White	43.23	51.95
41	LL25PM	1	Pressure Relief Valve - Gray	17.54	21.08
41	E25	1	Pressure Relief Valve - White	16.95	20.37
42	E24	1	Screen - Wall Fitting	11.78	14.15
43	LL23PM	1	Quick Disconnect Adapter - Gray	11.29	13.57
43	E23	1	Quick Disconnect Adapter - White	5.70	6.85
44	EC64	2	Wheel - Plastic Washer	6.98	8.39
45	EG15	1	Gears - for Back-Up Valve	99.00	118.96
46	360127	1	Thrust Jet Repair Kit includes: (White) E18, EC130, EC135	CALL	CALL
46	360128	1	Thrust Jet Repair Kit includes: (Gray) E18, EC130G, LLC135G	CALL	CALL
47	EA30	5	Screw for EA40 or LLA40G and EC110 or LLC110PM	2.64	3.17
48	EU76	8	Axle Bolt	3.82	4.59
49	EU147	2	Snap Fit Vac Tube Posts - White	7.02	8.44
49	LLU147G	2	Snap Fit Vac Tube Posts - Gray	7.55	9.07
50	EU79	1	Nut & Bolt - Feed Mast to Vac Tube	6.78	8.15
51	EU80	2	Venturi Jet - White	5.61	6.74
51	LLU8G	2	Venturi Jet - Gray	17.02	20.45
52	EU80	2	Screw - Cover to Frame	5.61	6.74
53	LLU81PM	1	Front Bumper - White	28.79	34.59
53	LLU81PMG	1	Front Bumper - Gray	34.35	41.27
54	370017	1	Sweep Hose - Scrubber	3.69	4.43
NOT SHOWN					
	JVP8		Pressure Stick w/o Gauge	36.08	43.35
	15060-0000T		Pressure Gauge for JVP8	47.86	57.51
	LL209		Complete Hose Kit, White	386.85	464.84
	LL209PMG		Complete Hose Kit, Gray	706.52	848.95

* Recommended for stock.

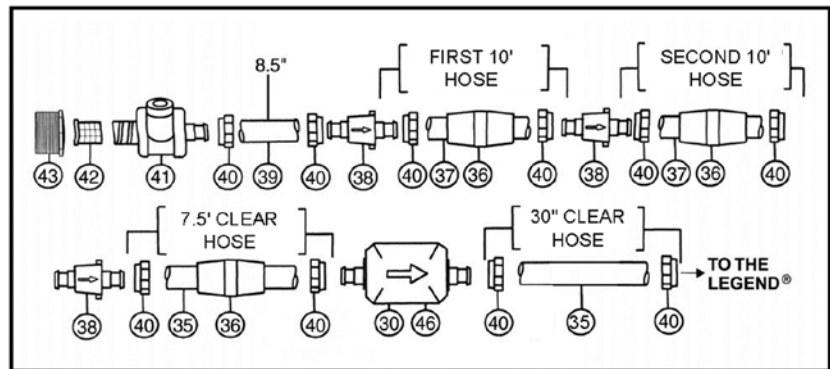
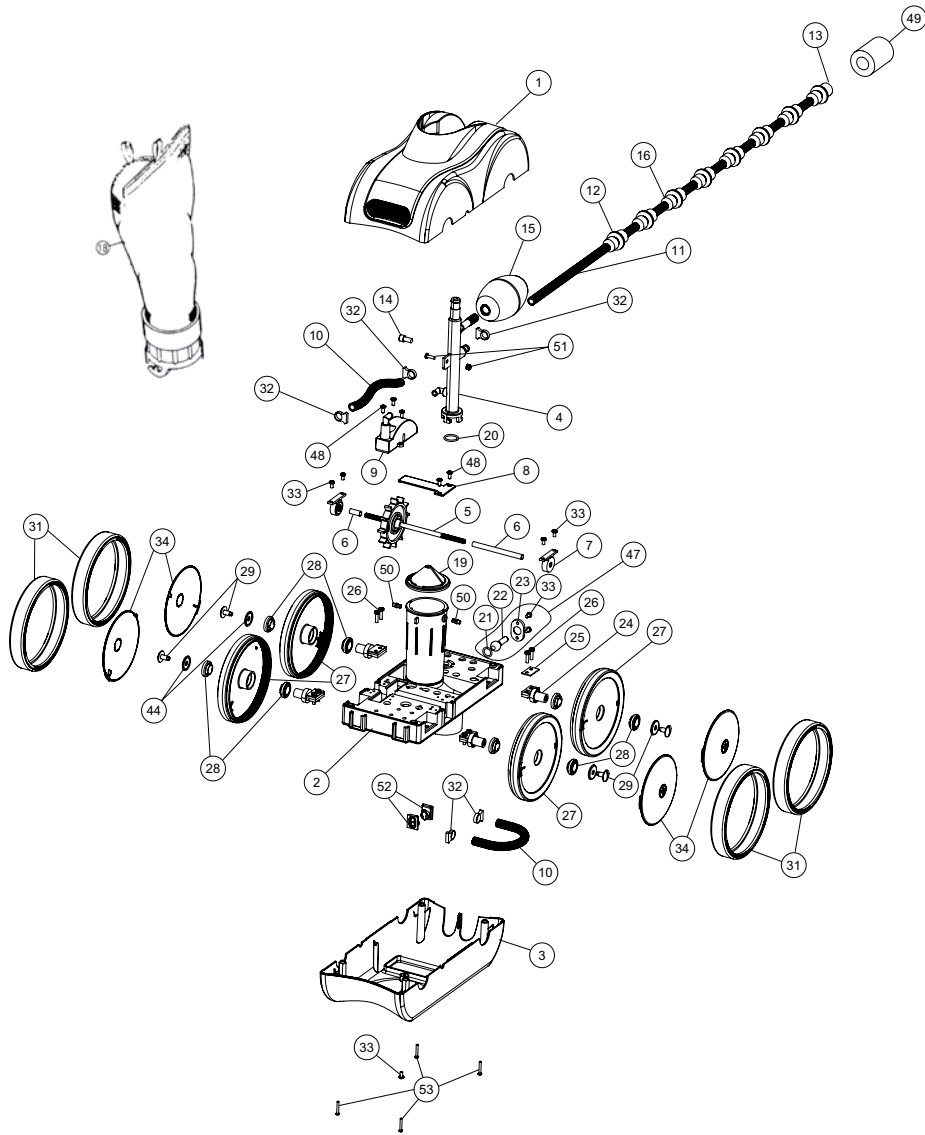
CALIFORNIA PROPOSITION 65 WARNING

⚠ **WARNING:** Cancer and Reproductive Harm.
⚠ **AVERTISSEMENT:** Peut Causer le Cancer et des Dommages au Système Reproducteur.
⚠ **ADVERTENCIA:** Cáncer y Daño Reproductivo.

www.p65warnings.ca.gov
P65007A

KREEPY KRAULY® LEGEND®

LL505G AND LL505GG CLEANER REPLACEMENT PARTS



CALIFORNIA PROPOSITION 65 WARNING

⚠ **WARNING:** Cancer and Reproductive Harm.
 ⚠ **AVERTISSEMENT:** Peut Causer le Cancer et des Dommages au Système Reproducteur.
 ⚠ **ADVERTENCIA:** Cáncer y Daño Reproductivo.
www.p65warnings.ca.gov

KREEPY KRAULY® LEGEND® (CONT'D)

LL505G AND LL505GG CLEANER REPLACEMENT PARTS

Item	Part No.	Qty.	Description	US List	Can List
LEGEND 4 WHEEL REPLACEMENT PARTS					
1	360003	1	Top Cover	104.42	125.47
2	LLU145N	1	Main Frame	1558.79	1873.04
2	360010	1	Main Frame - Gray	1229.06	1476.84
3	360004	1	Bottom Cover	76.38	91.78
3	360011	1	Bottom Cover - Gray	76.41	91.81
4	LLU6	1	Feed Mast w/ O-Ring - White	55.49	66.68
4	LLU6G	1	Feed Mast w/ O-Ring - Gray	67.45	81.05
5	EC86	1	Turbine Drive Shaft - Complete	43.34	52.08
6	EC83	2	Turbine Spacers	3.12	3.75
7	EC80	2	Turbine Bearings	42.41	50.96
8	EA40	1	Turbine Shaft Shield	9.55	11.48
9	EC110	1	Turbine Cover w/ Elbows	15.83	19.02
10	EC120	2	Turbine/Venturi Hose 7-3/4 in. length	2.25	2.70
10	LLC120G	2	Turbine/Venturi Hose 7-3/4 in. length - Gray	3.12	3.75
11	EB5L	1	Sweep Hose - Complete	42.22	50.73
11	LLB5G	1	Sweep Hose - Complete - Gray	62.32	74.88
12	EB10	9	Sweep Hose - Wear Ring	14.88	17.88
13	EB25	1	Sweep Hose - Jet w/ Collar	4.47	5.37
13	LLB25PM	1	Sweep Hose - Jet w/ Collar - Gray	9.24	11.10
14	370198	1	Sweep Hose - Adjustment Screw	3.44	4.13
15	EA20	1	Ballast Float	7.05	8.47
15	LLA20G	1	Ballast Float - Gray	10.24	12.30
16	EH07	1	Sweep Hose - Hose Sleeve	5.80	6.97
16	LLH07PM	4	Sweep Hose - Hose Sleeve - Gray	7.88	9.47
17	EU15	1	Coarse Mesh Bag - Blue (Optional - not shown)	60.01	72.11
17	EU15G	1	Coarse Mesh Bag - Blue/Gray Collar (Optional - not shown)	61.02	73.32
18	360002	1	Fine Mesh Bag - Mechanical Lock	60.89	73.17
18	360009	1	Fine Mesh Bag - Gray - Mechanical Lock	60.90	73.18
18	EU16	1	Fine Mesh Bag - Velcro Brand Fastener	47.10	56.60
18	EU16G	1	Fine Mesh Bag - Velcro Brand Fastener - Gray	53.58	64.38
19	EU9	1	Debris Valve	4.39	5.28
20	EU7	1	O-Ring for Feed Mast	1.90	2.28
21	E18	1	O-Ring for Thrust Jet	3.27	3.93
22	EC130	1	Thrust Jet	14.99	18.01
23	EC135	1	Thrust Jet - Plate	6.38	7.67
23	LLC135G	1	Thrust Jet - Plate - Gray	13.48	16.20
24	EC65	4	Axle - Large Wheels	5.96	7.16
25	EC70	4	Axle Plate	2.41	2.90
26	370258Z	8	Axle Screw w/ Lock Washer	5.83	7.01
27	360006	4	Wheel w/out Bearings	18.49	22.22
28	EC60	8	Wheel Bearings - Only	23.43	28.15
29	EC55	4	Wheel Screw Plastic	11.86	14.25
29	LLC55PM	4	Wheel Screw Plastic - Gray	12.87	15.46
30	E10	1	Back-up Valve	115.96	139.34
30	LL10PM	1	Back-up Valve - Gray	119.28	143.33
31	360007	4	Wheel - Rubber Tire	15.21	18.28
31	360012	4	Wheel - Gray Tire	15.20	18.26
32	EB15	5	Hose Clamp	3.33	4.00
33	EC40	7	Screw	3.59	4.31

Item	Part No.	Qty.	Description	US List	Can List
34	360005	4	Hub Cap	5.43	6.52
34	360013	4	Hub Cap - Gray	5.43	6.52
35	LD50	1	Feed Hose - Soft - 10 ft.	CALL	CALL
35	LLD50PM	1	Feed Hose - Gray Soft - 10 ft.	62.58	75.20
36	ED10P	10	Float - Feed Hose	8.22	9.88
36	LLD10PM	10	Float - Feed Hose - Gray	10.10	12.14
37	LD45	2	Feed Hose - White - 10 ft.	36.53	43.89
37	LLD45PM	2	Feed Hose - Gray - 10 ft.	80.27	96.45
38	ED05	2	Swivel - Feed Hose	18.04	21.68
38	LLD05PM	2	Swivel - Feed Hose - Gray	26.33	31.64
39	LLU1	1	Adapter Hose - White 8-1/2 in.	6.38	7.67
39	LLU1PM	1	Adapter Hose - White 8-1/2 in. - Gray	7.16	8.60
40	ED15	8	Mender Nut - Plastic - Feed Hose	9.43	11.33
40	LLD15PM	8	Mender Nut - Plastic - Feed Hose - Gray	5.79	6.96
41	EW22	1	Wall Fitting Complete	43.23	51.95
41	LLW22PM	1	Wall Fitting - Gray Complete	59.79	71.84
41	E25	1	Pressure Relief Valve - White	16.95	20.37
41	LL25PM	1	Pressure Relief Valve - Gray	17.54	21.08
42	E24	1	Screen - Wall Fitting	11.78	14.15
43	E23	1	Quick Disconnect Adapter	5.70	6.85
43	LL23PM	1	Quick Disconnect Adapter - Gray	11.29	13.57
44	EC64	4	Wheel - Plastic Washer	6.98	8.39
-	EH09C	1	Sweep Hose Weight (Optional - not shown)	18.48	22.21
46	EG15	1	Gears - for Back-Up Valve	99.00	118.96
47	EC131	1	Thrust Jet Repair Kit - Includes: EC130, EC135 and E18	7.74	9.30
47	360014	1	Thrust Jet Repair Kit - Includes: EC130, LLC135 and E19	27.55	33.10
48	EA30	5	Screw for EA40 and EC110	2.64	3.17
49	370017	1	Sweep Hose - Scrubber	3.69	4.43
50	EU147	2	Snap Fit Vac Tube Posts	7.02	8.44
50	LLU147G	2	Snap Fit Vac Tube Posts - Gray	7.55	9.07
51	EU79	1	Nut & Bolt - Feed Mast to Vac Tube	6.78	8.15
52	LLU8	2	Venturi Jets	13.91	16.71
52	LLU8G	2	Venturi Jets - Gray	17.02	20.45
53	EU80	4	Screw - Top and Bottom Cover	5.61	6.74
ACCESSORIES					
	EH09C	1	Sweep Hose Weight (Optional)	18.48	22.21
	LL209	1	Legend Hose Kit	386.85	464.84
	370017	1	Sweep Hose Scrubber	3.69	4.43
	JVP8	1	Pressure Stick w/o Gauge	36.08	43.35
	15060-0000T	1	Pressure Gauge	47.86	57.51
	EU13	1	Step Deflector	91.40	109.83

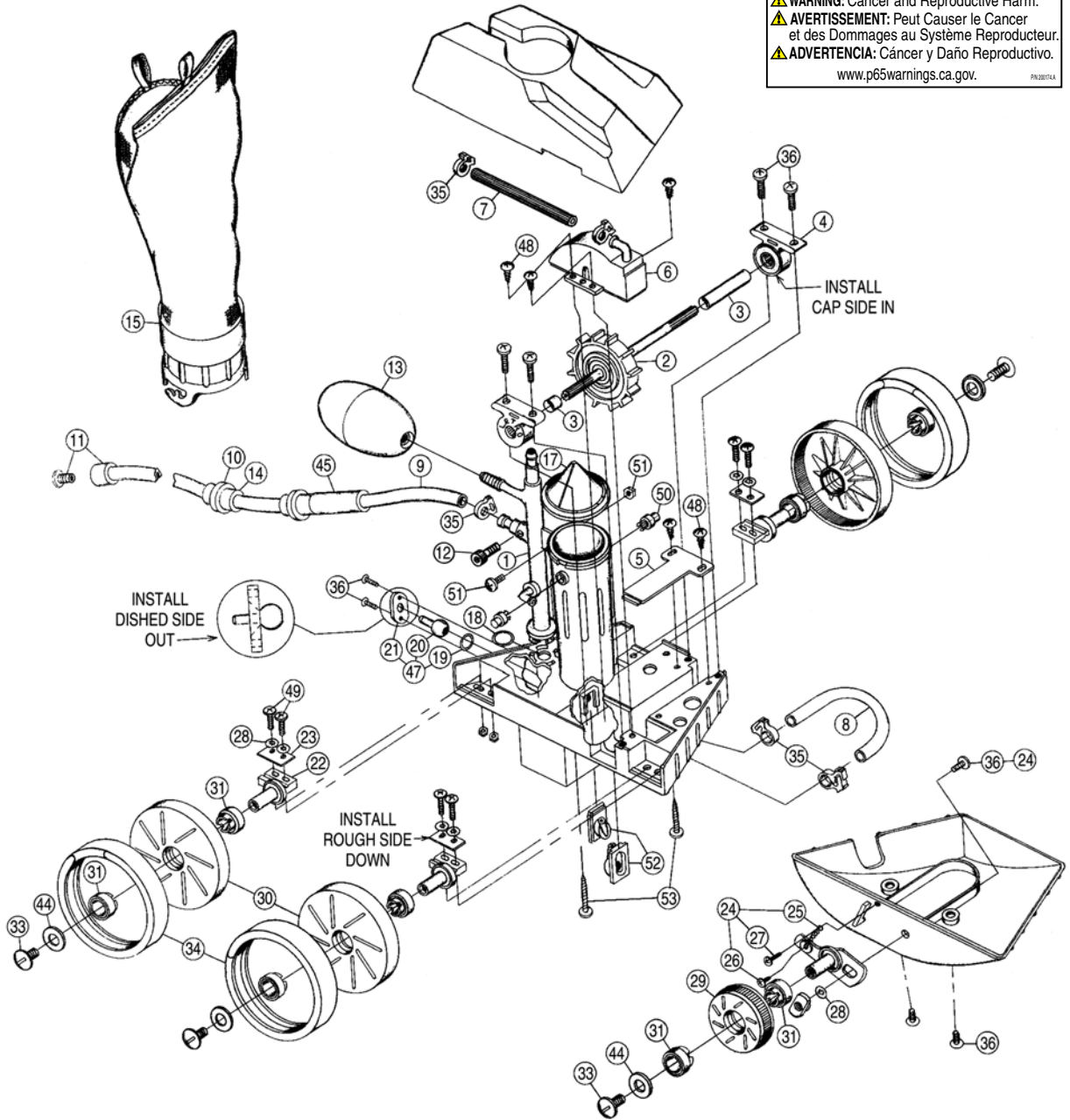
CALIFORNIA PROPOSITION 65 WARNING

⚠️ **WARNING:** Cancer and Reproductive Harm.
 ⚠️ **AVERTISSEMENT:** Peut Causer le Cancer
 et des Dommages au Système Reproducteur.
 ⚠️ **ADVERTENCIA:** Cáncer y Daño Reproductivo.
www.p65warnings.ca.gov

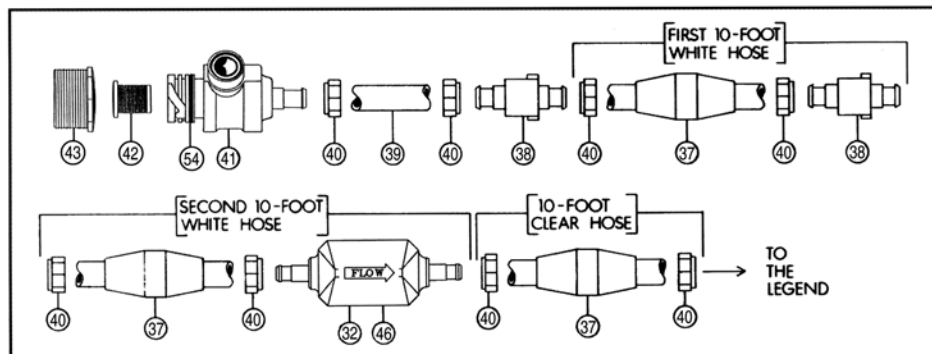
LEGEND® 3-WHEEL CLEANER REPLACEMENT PARTS

CALIFORNIA PROPOSITION 65 WARNING

⚠ WARNING: Cancer and Reproductive Harm.
 ⚠ AVERTISSEMENT: Peut Causer le Cancer et des Dommages au Système Reproducteur.
 ⚠ ADVERTENCIA: Cáncer y Daño Reproductivo.
www.p65warnings.ca.gov



HOSE KIT - # LL209



LEGEND® 3-WHEEL (CONT'D)

CLEANER REPLACEMENT PARTS

Item	Part No.	Qty.	Description	US List	Can. List
LEGEND 3 WHEEL REPLACEMENT PARTS					
1	LLU6		Feed Mast w/ O-Ring	55.49	66.68
2	EC86		Turbine Drive Shaft - Complete	43.34	52.08
3	EC83	1	Turbine Spacers - Set 1 long, 1 short	3.12	3.75
4	EC80	2	Turbine Bearings	42.41	50.96
5	EA40		Turbine Shaft Shield	9.55	11.48
6	EC110		Turbine Cover w/ Elbow	15.83	19.02
7	EC120		Turbine Cover Hose 7-3/4 in. length	2.25	2.70
8	EC120		Jet - Hose - 7-3/4 in. length	2.25	2.70
9	EB5L		Sweep Hose - Complete	42.22	50.73
10	EB10	5	Sweep Hose - Wear Ring	14.88	17.88
11	EB25		Sweep Hose - Jet w/ Collar	4.47	5.37
12	EB20	2	Sweep Hose - Adjustment Screw - White ¹	3.62	4.35
12	370198	2	Sweep Hose - Adjustment Screw - SS ²	3.44	4.13
13	EA20		Ballast Float - White	7.05	8.47
14	EH07	4	Sweep Hose - Hose Sleeve	5.80	6.97
15	EU15		Coarse Mesh Bag-Blue (Optional)	60.01	72.11
15	EU15G		Coarse Mesh Bag-Blue/ Gray Collar (Optional)	61.02	73.32
15	EU16		Fine Mesh Bag	47.10	56.60
15	EU16G		Fine Mesh Bag - Velcro Brand Fastner - Gray	53.58	64.38
17	EU9		Debris Valve	4.39	5.28
18	EU7		O-Ring for Feed Mast	1.90	2.28
19	E18		O-Ring for Thrust Jet	3.27	3.93
20	EC130	2-Pk	Thrust Jet - Light Gray	14.99	18.01
21	EC135	2-Pk	Thrust Jet - Plate	6.38	7.67
22	EC65		Axle - Large Wheels	5.96	7.16
23	EC70	2	Axle Plate	2.41	2.90
24	EC36H		Swing Axle Hardware Kit	CALL	CALL
25	EC25	2	Spring - Swing Axle	3.27	3.93
26	EC30	5	Screw For Spring To Swing Axle	2.64	3.17
27	EC32	5	Screw For Spring To Bottom Cover	2.64	3.17
28	EC45	5	Lock Washer For LLC36, EC70	3.87	4.65
29	EC16		Wheel - Small For Swing Axle	11.04	13.27
30	EC6L		Wheel w/out Bearings	18.88	22.69
31	EC60	2	Wheel Bearings Only	23.43	28.15
32	E10		Back-Up Valve	115.96	139.34
33	EC55	5	Wheel Screw - Plastic	11.86	14.25
34	EC10		Wheel - Rubber Tire (Non-ribbed)	20.27	24.36
35	EB15	2	Hose Clamp	3.33	4.00
36	EC40	10	Screw	3.59	4.31

Item	Part No.	Qty.	Description	US List	Can. List
37	ED10P		Float - Feed Hose	8.22	9.88
38	ED05		Swivel - Feed Hose	18.04	21.68
39	LLU1		Adapter Hose - White - 8-1/2 in.	6.38	7.67
40	ED15	2	Mender Nut - plastic - feed hose	9.43	11.33
41	EW22		Wall Fitting - Complete	43.23	51.95
42	E24		Screen - Wall Fitting	11.78	14.15
43	E23		Quick Disconnect Adapter	5.70	6.85
44	EC64	2	Wheel - Plastic Washer	6.98	8.39
45	EH09C		Sweep Hose Weight	18.48	22.21
46	EG15		Gears - for Back-Up Valve	99.00	118.96
47	EC131		Thrust Jet Repair Kit includes: E18, EC130, EC135	7.74	9.30
48	EA30	5	Screw for EA40 and EC110	2.64	3.17
49	EU76	2K	Axle Bolt	3.82	4.59
50	EU147	2	Snap Fit Vac Tube Posts	7.02	8.44
51	EU79		Nut & Bolt - Feed Mast to Vac Tube	6.78	8.15
52	LLU8	2	Venturi Jet	13.91	16.71
53	EU80	2	Screw - Top Cover To Frame	5.61	6.74
54	E21	2	O-Ring For Wall Fitting	4.61	5.54
TUNE-UP KIT (3-WHEEL) - LL205					
	LL205		Kit includes	419.81	504.44
	EB5L	1	Sweep Tail - Complete	40.34	48.47
	EC6L	3	Wheel - Large	18.04	21.68
	EC16	1	Wheel - Small	10.55	12.68
	EC60	4	Bearings - 2-Pk	22.39	26.90
	EC80	1	Turbine Bearings - 2-Pk	40.53	48.70
	EC86	1	Turbine Shaft - Complete	41.41	49.76
	EC10	3	Tires - Non-Ribbed	19.37	23.27
	EU16	1	Fine Mesh Bag	45.01	54.08
LEGEND HOSE KIT - LL209					
	LL209		Kit includes	386.85	464.84
	D45	2	White Feed Hose 10 in.	43.25	51.97
	D50	1	Clear Feed Hose 10 in.	CALL	CALL
	ED10P	10	Floats	8.22	9.88
	D05	3	Swivels	CALL	CALL
	E10	1	Back-Up Valve	115.96	139.34
	LLU1	1	Adaptor Hose - White 8-1/2 in.	6.38	7.67
	ED15	7	Mender Nuts	9.43	11.33
	EW22	1	Wall Fitting - Complete	43.23	51.95
	EB10	1	Wear Ring	14.88	17.88

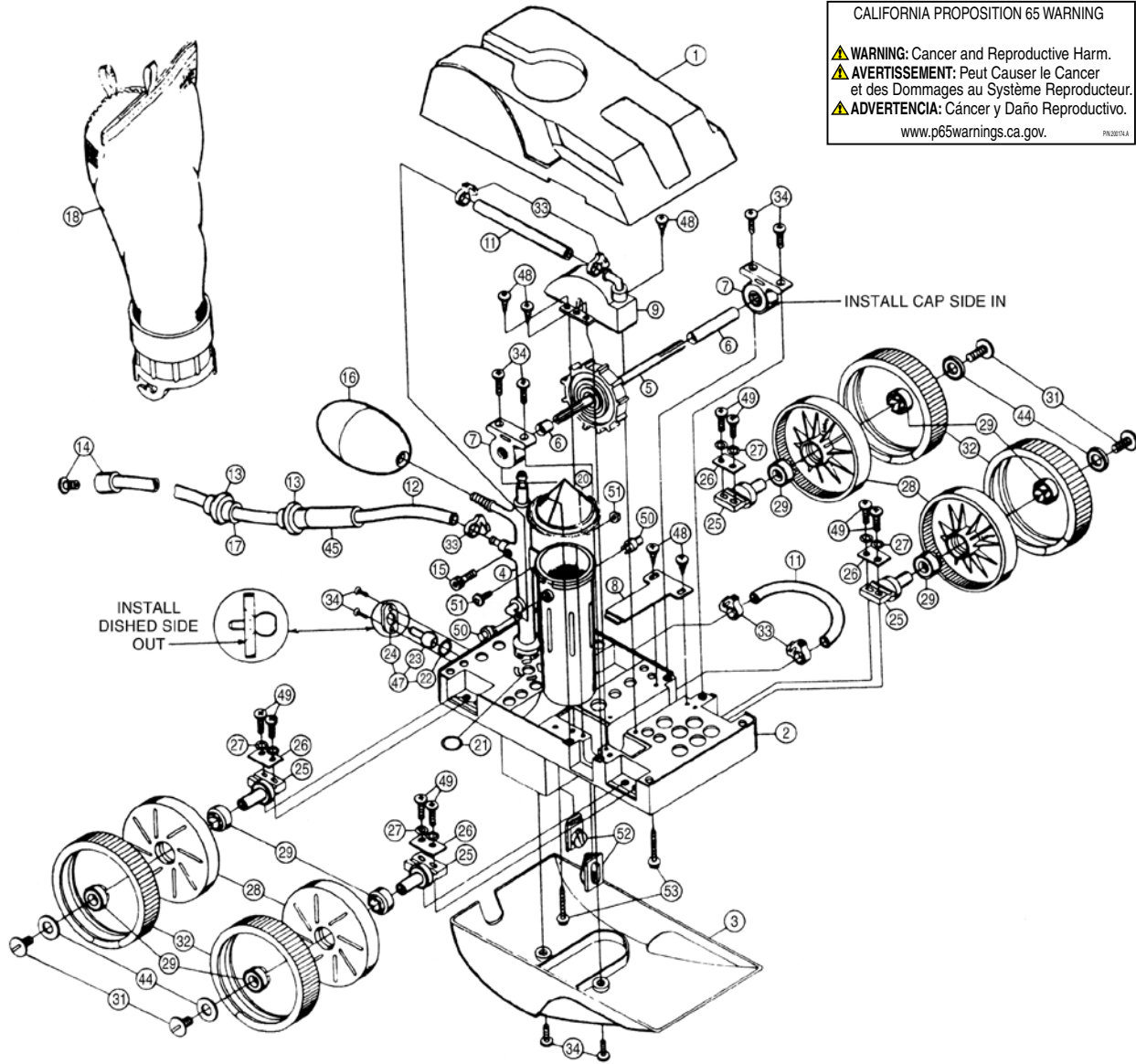
¹ For use on units manufactured before 8-01-05.

² For use on units manufactured after 8-01-05.

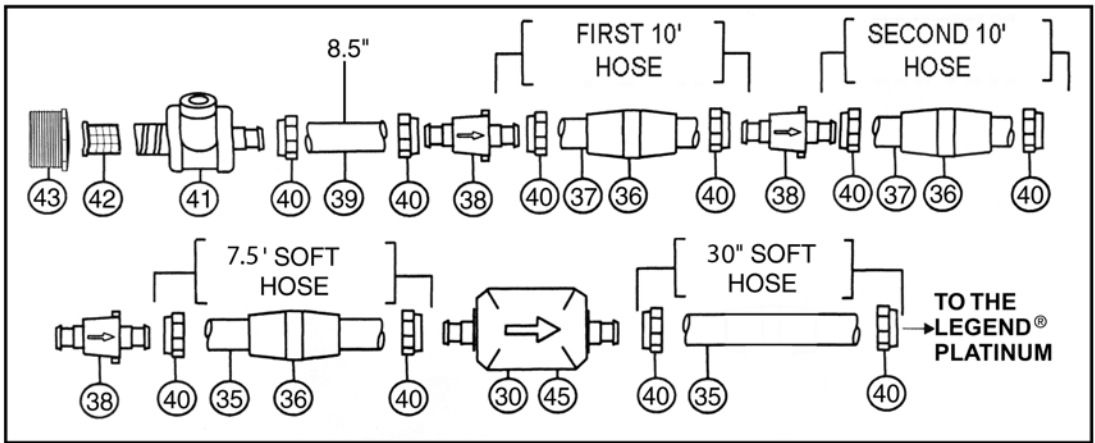
CALIFORNIA PROPOSITION 65 WARNING
 ⚠️ **WARNING:** Cancer and Reproductive Harm.
 ⚠️ **AVERTISSEMENT:** Peut Causer le Cancer et des Dommages au Système Reproducteur.
 ⚠️ **ADVERTENCIA:** Cáncer y Daño Reproductivo.
 www.p65warnings.ca.gov. PR2017A

LEGEND® 4-WHEEL - LL105

CLEANER REPLACEMENT PARTS



CALIFORNIA PROPOSITION 65 WARNING
 ⚠️ **WARNING:** Cancer and Reproductive Harm.
 ⚠️ **AVERTISSEMENT:** Peut Causer le Cancer et des Dommages au Système Reproducteur.
 ⚠️ **ADVERTENCIA:** Cáncer y Daño Reproductivo.
www.p65warnings.ca.gov P650101A



LEGEND® 4-WHEEL - LL105 (CONT'D)

CLEANER REPLACEMENT PARTS

Item	Part No.	Qty.	Description	US List	Can. List
LEGEND 4 WHEEL REPLACEMENT PARTS					
1	LLU5NG		Top Cover - Gray	CALL	CALL
2	LLU145N		Main Frame	1558.79	1873.04
3	EU10N		Bottom Cover - White	79.44	95.46
4 *	LLU6		Feed Mast w/ O-Ring	55.49	66.68
5	EC86		Turbine Drive Shaft - Complete	43.34	52.08
6	EC83	1	Turbine Spacers - Set, 1 long, 1 short	3.12	3.75
7	EC80	2	Turbine Bearings	42.41	50.96
8	EA40		Turbine Shaft Shield	9.55	11.48
9	EC110		Turbine Cover w/ Elbow	15.83	19.02
11	EC120		Hose - 7-3/4 in. length	2.25	2.70
12 *	EB5L		Sweep Hose - Complete	42.22	50.73
13	EB10	5	Sweep Hose - Wear Ring	14.88	17.88
14	EB25		Sweep Hose - Jet w/ Collar	4.47	5.37
15*	EB20	2	Sweep Hose - Adjustment Screw - White ¹	3.62	4.35
15	370198	2	Sweep Hose - Adjustment Screw - SS ²	3.44	4.13
16	EA20		Ballast Float (White)	7.05	8.47
17	EH07	4	Sweep Hose - Hose Sleeve	5.80	6.97
18	360002		Debris Bag with Snaplock - White	60.89	73.17
18	360009		Debris Bag with Snaplock - Gray	60.90	73.18
18 *	EU15		Coarse Mesh Bag-Blue (Optional)	60.01	72.11
18 *	EU16		Fine Mesh Bag - White	47.10	56.60
18*	EU16G		Fine Mesh Bag - Gray	53.58	64.38
20	EU9		Debris Valve	4.39	5.28
21	EU7		O-Ring for Feed Mast	1.90	2.28
22	E18		O-Ring for Thrust Jet	3.27	3.93
23	EC130	2	Thrust Jet	14.99	18.01
24	EC135	2	Thrust Jet - Plate	6.38	7.67
25	EC65		Axle - Large Wheels	5.96	7.16
26	EC70	2	Axle Plate	2.41	2.90
27	EC45	5	Axle - Lock Washer	3.87	4.65
28 *	EC6L		Wheel w/out Bearings	18.88	22.69
29 *	EC60	2	Wheel Bearings Only	23.43	28.15
30 *	E10		Back-Up Valve	115.96	139.34
31 *	EC55	5	Wheel Screw - Plastic	11.86	14.25
32 *	LLC1		Wheel - Rubber Tire	15.17	18.23
32	360007		Wheel - Rubber Tire	15.21	18.28
33	EB15	2	Hose Clamp	3.33	4.00
34	EC40	10	Screw	3.59	4.31
35 *	ED50		Feed Hose - clear soft - 7 ft.-8 in.	50.79	61.03
36 *	ED10P		Float - Feed Hose	8.22	9.88
37 *	ED45		Feet Hose - White - 11 ft.-2 in.	CALL	CALL
38	ED05		Swivel - Feed Hose	18.04	21.68
39	LLU1		Adapter Hose - White - 8-1/2 in.	6.38	7.67
40 *	ED15	2	Mender Nut - plastic - feed hose	9.43	11.33
41	EW22		Wall Fitting - Complete	43.23	51.95
41	E25		Pressure Relief Valve for Wall Fitting	16.95	20.37
42	E24		Screen - Wall Fitting	11.78	14.15
43	E23		Quick Disconnect Adapter	5.70	6.85
44	EC64	2	Wheel - Plastic Washer	6.98	8.39
46 *	EG15		Gears - for Back-Up Valve	99.00	118.96
47	EC131		Thrust Jet Repair Kit includes: E18, EC130, EC135	7.74	9.30
48	EA30	5	Screw for EA40 and EC110	2.64	3.17
49	EU76	2	Axle Bolt	3.82	4.59
50	EU147	2	Snap Fit Vac Tube Posts	7.02	8.44
51	EU79		Nut & Bolt - Feed Mast to Vac Tube	6.78	8.15
52	LLU8	2-	Venturi Jet	13.91	16.71
53	EU80	2	Screw - Cover to Frame	5.61	6.74

Item	Part No.	Qty.	Description	US List	Can. List
BACK-UP VALVE PARTS - E10 (#30 on schematic)					
	E11	1	Housing Body	61.38	73.75
	E12	1	Housing Top	33.97	40.82
	E13	1	O-Ring for Housing Body	1.90	2.28
	E14	1	O-Ring for Gear Assembly	1.90	2.28
	E15	1	Screw for Housing Body - 6-Pk	6.17	7.41
	EG15	1	Gears - for Back-Up Valve	99.00	118.96
WALL FITTING PARTS - EW22 (#41 on schematic) *					
	E21	1	O-Ring for Wall Fitting - 2-Pk	4.61	5.54
	E25	1	Pressure Relief Valve	16.95	20.37
	E24	1	Screen - Wall Fitting	11.78	14.15
	E23	1	Quick Disconnect Adapter	5.70	6.85
LEGEND TUNE-UP KIT - LL205N*					
	EU16	1	Fine Mesh Bag	47.10	56.60
	EU9	1	Debris Valve	4.39	5.28
	EC80	1	Turbine Bearings - 2-Pk	42.41	50.96
	EC60	4	Wheel Bearings - 2-Pk	23.43	28.15
	EC86	1	Turbine Shaft - Complete	43.34	52.08
	EB5L	1	Sweep Tail - Complete	42.22	50.73
	EC6L	2	Wheel (Large)	18.88	22.69
	LLC1	2	Tires (4-Wheel only)	15.17	18.23
LEGEND OVERHAUL KIT - LL206N *					
	LL206N		Kit includes	463.00	556.34
	EU16	1	Fine Mesh Bag	47.10	56.60
	EC86	1	Turbine Shaft Complete	43.34	52.08
	EC65	4	Axles	5.96	7.16
	EU9	1	Debris Valve	4.39	5.28
	EB5L	1	Sweep Hose w/ Clamp	42.22	50.73
	EC80	1	Turbine Bearings - 2-Pk	42.41	50.96
	EC6L	4	Wheel (Large)	18.88	22.69
	LLC1	4	Tires (4-Wheel only)	15.17	18.23
	EC60	4	Bearings - 2-Pk	23.43	28.15
	EA20	1	Ballast Float (White)	7.05	8.47
LEGEND HOSE KIT - LL209 *					
	LL209		Kit includes	386.85	464.84
	D45	2	White Feed Hose 10 in.	43.25	51.97
	D50	1	Clear Feed Hose 10 in.	CALL	CALL
	ED10P	10	Floats	8.22	9.88
	D05	3	Swivels	CALL	CALL
	E10	1	Back-Up Valve	115.96	139.34
	LLU1	1	Adaptor Hose - White 8-1/2 in.	6.38	7.67
	ED15	7	Mender Nuts	9.43	11.33
	EW22	1	Wall Fitting - Complete	43.23	51.95
	EB10	1	Wear Ring	14.88	17.88
NOT SHOWN					
	LLU82	2	Snap Fittings	7.02	8.44
	370017		Sweep Hose Scrubber	3.69	4.43
	JVP8		Pressure Stick w/o Gauge	36.08	43.35
	15060-0000T		Pressure Gauge	47.86	57.51
	EU13		Step Deflector	91.40	109.83

* Recommended for stock.

² For use on units manufactured after 8-01-05.

¹ For use on units manufactured before 8-01-05.

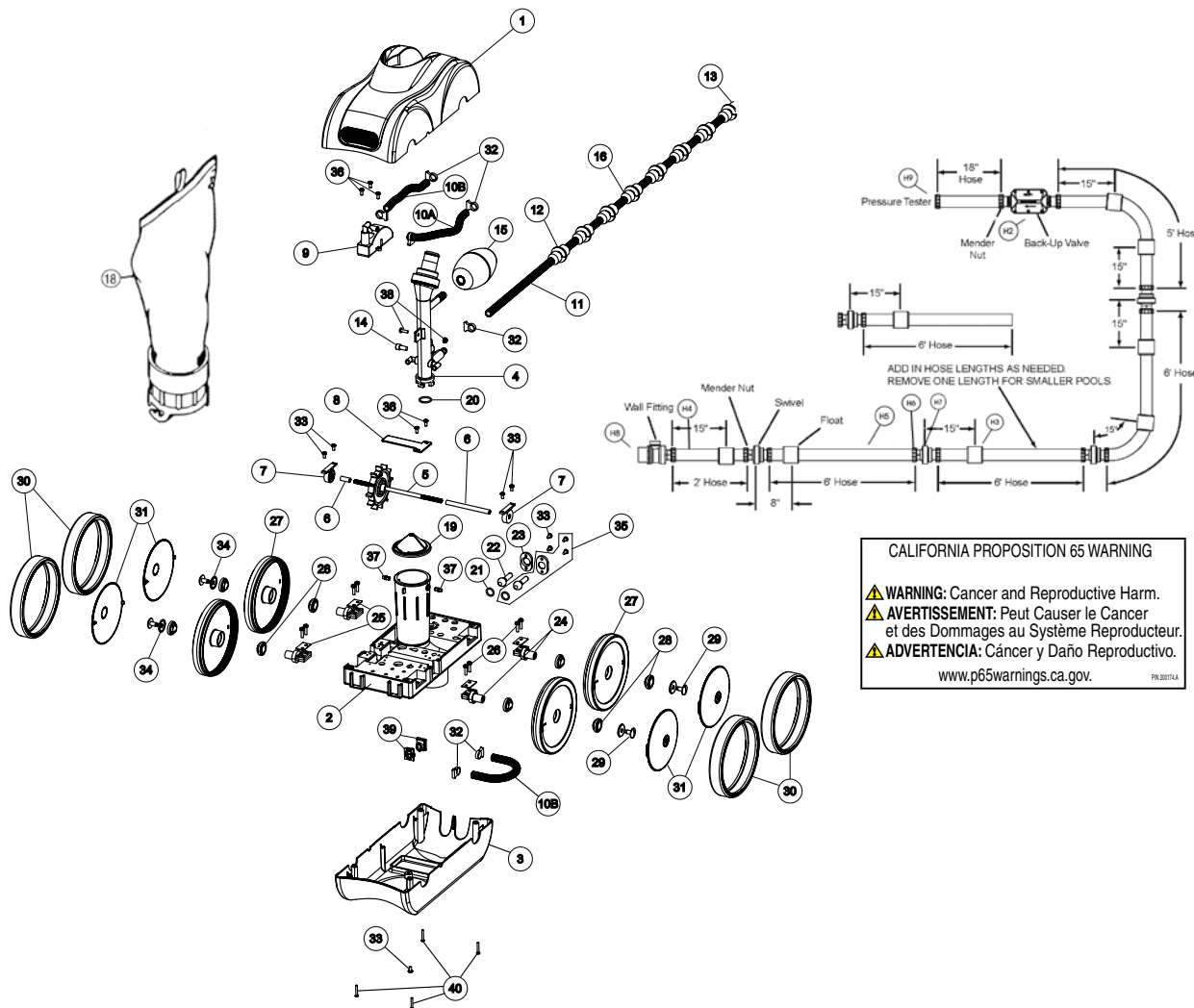
CALIFORNIA PROPOSITION 65 WARNING

▲ **WARNING:** Cancer and Reproductive Harm.
▲ **AVERTISSEMENT:** Peut Causer le Cancer et des Dommages au Système Reproducteur.
▲ **ADVERTENCIA:** Cáncer y Daño Reproductivo.

www.p65warnings.ca.gov. PR.002174

KREEPY KRAULY® LEGEND® II

LX5000G AND LX5000GG CLEANER REPLACEMENT PARTS



CALIFORNIA PROPOSITION 65 WARNING

⚠ **WARNING:** Cancer and Reproductive Harm.
 ⚠ **AVERTISSEMENT:** Peut Causer le Cancer et des Dommages au Système Reproducteur.
 ⚠ **ADVERTENCIA:** Cáncer y Daño Reproductivo.

www.p65warnings.ca.gov

Item	Part No.	Qty.	Description	US List	Can. List
KREEPY KRAULY LEGEND II REPLACEMENT PARTS					
1	360003	1	Top Cover	104.42	125.47
2	LXU145N	1	Main Frame	CALL	CALL
2	360016	1	Main Frame Gray	1420.40	1706.75
3	360004	1	Bottom Cover	76.38	91.78
3	360011	1	Bottom Cover Gray	76.41	91.81
4	LXU6	1	Feed Mast w/ O-Ring & Swivel Gray	59.62	71.64
4	360017	1	Feed Mast w/ O-Ring & Swivel	62.91	75.59
5	EC86	1	Turbine Drive Shaft - Complete	43.34	52.08
6	EC83	2	Turbine Spacers	3.12	3.75
7	EC80	2	Turbine Bearings	42.41	50.96
8	EA40	1	Turbine Shaft Shield	9.55	11.48
9	LXC110	1	Turbine Cover w/Elbows	27.73	33.32
10A & B	EC120	2 & 1	Turbine/Venturi Hose 7-3/4 in. length	2.25	2.70
10A & B	LLC120G	2 & 1	Turbine/Venturi Hose 7-3/4 in. length - Gray	3.12	3.75

Item	Part No.	Qty.	Description	US List	Can. List
11	EB5L	1	Sweep Hose - Complete	42.22	50.73
11	LLB5G	1	Sweep Hose - Complete - Gray	62.32	74.88
12	EB10	9	Sweep Hose - Wear Ring	14.88	17.88
13	EB25	1	Sweep Hose - Jet w/Collar	4.47	5.37
13	LLB25PM	1	Sweep Hose - Jet w/Collar - Gray	9.24	11.10
14	370198	1	Sweep Hose Adjustment Screw	3.44	4.13
15	EA20	1	Ballast Float	7.05	8.47
15	LLA20G	1	Ballast Float - Gray	10.24	12.30
16	EH07	4	Sweep Hose - Hose Sleeve	5.80	6.97
16	LLH07PM	4	Sweep Hose - Hose Sleeve - Gray	7.88	9.47
17	EU15	1	Coarse Mesh Bag-Blue (Optional - not shown)	60.01	72.11
17	EU15G	1	Coarse Mesh Bag-Blue/Gray Collar (Optional - not shown)	61.02	73.32

KREEPY KRAULY® LEGEND® II (CONT'D)

LX5000G AND LX5000GG CLEANER REPLACEMENT PARTS

Item	Part No.	Qty.	Description	US List	Can. List
KREEPY KRAULY LEGEND II REPLACEMENT PARTS					
18	360002	1	Fine Mesh Bag - Mechanical Lock	60.89	73.17
18	360009	1	Fine Mesh Bag Gray - Mechanical Lock	60.90	73.18
18	EU16	1	Fine Mesh Bag - Velcro Brand Fastener	47.10	56.60
18	EU16G	1	Fine Mesh Bag - Velcro Brand Fastener - Gray	53.58	64.38
19	EU9	1	Debris Valve	4.39	5.28
20	EU7	1	O-ring for Feed Mast	1.90	2.28
21	E18	1	O-ring for Thrust Jet	3.27	3.93
22	EC130	1	Thrust Jet	14.99	18.01
23	EC135	1	Thrust Jet - Plate	6.38	7.67
23	LLC135G	1	Thrust Jet - Plate - Gray	13.48	16.20
24	EC65	4	Axle - Large Wheels	5.96	7.16
25	EC70	4	Axle Plate	2.41	2.90
26	370258Z	8	Axle Screw w/ Lock Washer	5.83	7.01
27	360006	4	Wheel w/o Bearings	18.49	22.22
28	EC60	8	Wheel Bearings - Only	23.43	28.15
29	EC55	4	Wheel Screw - Plastic	11.86	14.25
29	LLC55PM	4	Wheel Screw - Plastic - Gray	12.87	15.46
30	360007	4	Wheel - Rubber Tire	15.21	18.28
30	360012	4	Wheel - Gray Tire	15.20	18.26
31	360005	4	Hub Cap	5.43	6.52
31	360013	4	Hub Cap - Gray	5.43	6.52
32	EB15	7	Hose Clamp	3.33	4.00
33	EC40	7	Screw	3.59	4.31
34	EC64	4	Wheel - Plastic Washer	6.98	8.39
35	EC131	1	Thrust Jet Repair Kit, includes: EC130, EC135 and E18	7.74	9.30
35	360014	1	Thrust Jet Repair Kit - Gray, includes: EC130, LLC135 and E19	27.55	33.10
36	EA30	5	Screw for EA40 and LXC110	2.64	3.17
37	EU147	2	Snap Fit Vac Tube Posts	7.02	8.44
37	LLU147G	2	Snap Fit Vac Tube Posts - Gray	7.55	9.07
38	EU79	1	Nut & Bolt - Feed Mast to Vac Tube	6.78	8.15
39	LXU8	2	Venturi Jets	24.37	29.28
40	EU80	4	Screw - Top and Bottom Cover	5.61	6.74
41	370017	1	Sweep Hose - Scrubber	3.69	4.43
-	EH09C	1	Sweep Hose Weight (Optional - not shown)	18.48	22.21

Item	Part No.	Qty.	Description	US List	Can. List
LX10 REPLACEMENT PARTS					
H2	LX10	1	Back-Up Valve - Low Pressure	119.33	143.39
H2	360018	1	Back-Up Valve - Low Pressure - Gray	116.46	139.94
H2	E15	6	Back-Up Valve - Screw Housing Body	6.17	7.41
Inside H2	E13	1	Back-Up Valve - Housing O-Ring	1.90	2.28
Inside H2	E14	1	Back-Up Valve - O-Ring Gear Assembly	1.90	2.28
Inside H2	LX16	1	Back-Up Valve - Gear Assembly	99.00	118.96
H3	LXD10	7	Feed Hose Float - White	7.31	8.78
H3	360019	7	Feed Hose Float - Gray	18.16	21.82
H4	LX18	1	Feed Hose - White - 2 ft. Section	13.24	15.91
H4	360021	1	Feed Hose - Gray - 2 ft. Section	13.24	15.91
H5	LX17	4	Feed Hose - White - 6 ft. Section	30.04	36.10
H5	360020	4	Feed Hose - Gray - 6 ft. Section	36.70	44.10
H6	LX20	12	Feed Hose Mender - White w/ O-ring #0252	7.32	8.80
H6	360022	12	Feed Hose Mender - Gray w/ O-ring #0253	15.78	18.96
H7	LX19	4	Feed Hose Swivel - White	23.43	28.15
H7	360023	4	Feed Hose Swivel - Gray	58.81	70.67
H8	LXW22	1	Wall Fitting Complete - White	36.32	43.64
H8	360024	1	Wall Fitting Complete - Gray	42.56	51.14
Inside H8	E23	1	Wall Fitting Adapter - White	5.70	6.85
Inside H8	LL23PM	1	Wall Fitting Adapter - Gray	11.29	13.57
Inside H8	E21	2pk	Wall Fitting O-ring	4.61	5.54
Inside H8	E24	1	Wall Fitting Screen	11.78	14.15
Inside H8	LX25	1	Wall Fitting - Valve Assembly - White	17.02	20.45
Inside H8	360025	1	Wall Fitting - Valve Assembly - Gray	36.56	43.93
H9	LX26	1	Pressure Tester	25.72	30.91
ACCESSORIES					
	EH09C	1	Sweep Hose Weight (optional)	18.48	22.21
	LX509		Feed Hose Complete - Gray	CALL	CALL
	LX209		Feed hose Complete - White	575.53	691.56

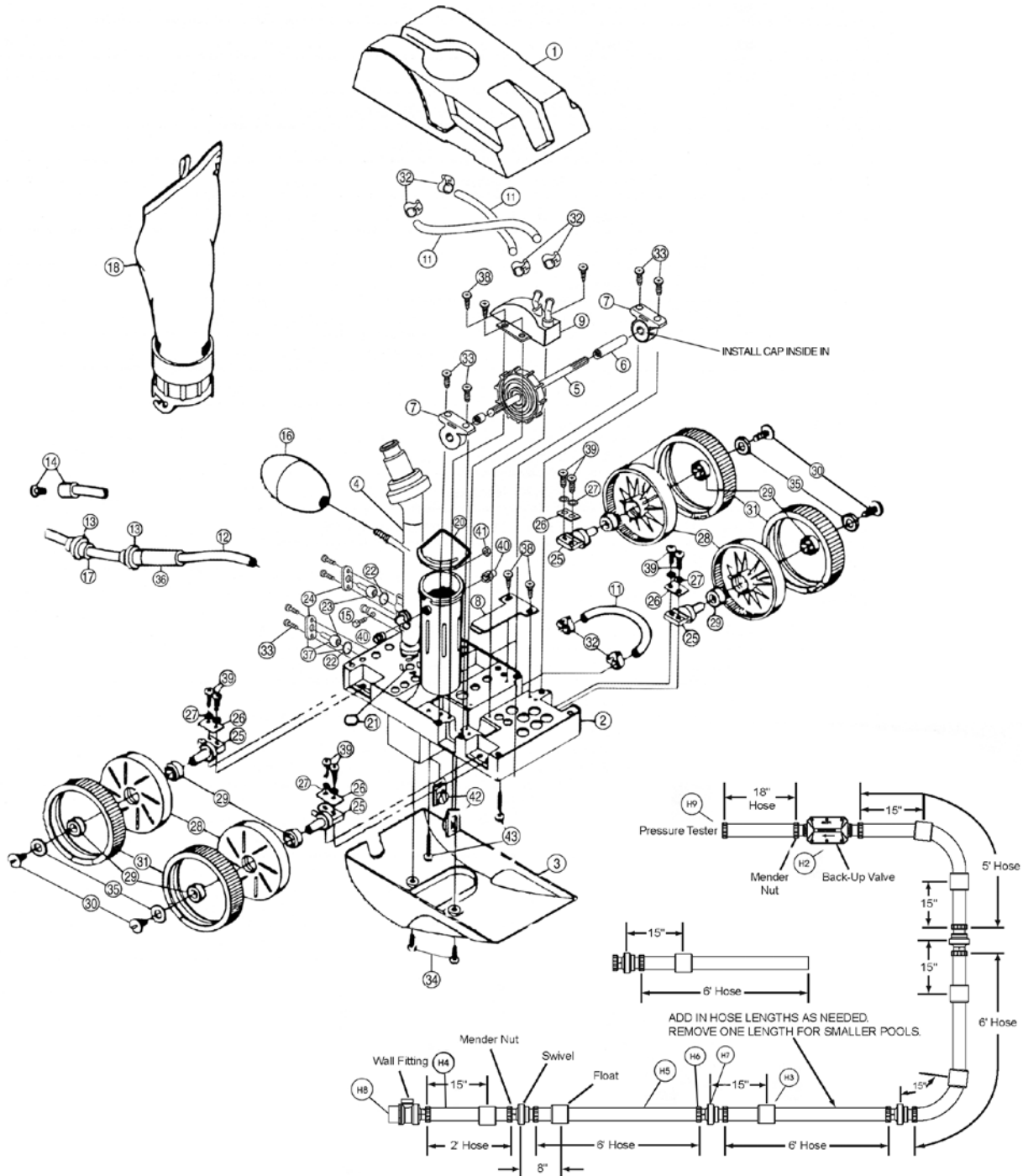
CALIFORNIA PROPOSITION 65 WARNING

▲ **WARNING:** Cancer and Reproductive Harm.
▲ **AVERTISSEMENT:** Peut Causer le Cancer et des Dommages au Système Reproducteur.
▲ **ADVERTENCIA:** Cáncer y Daño Reproductivo.

www.p65warnings.ca.gov. PMS2017A

LEGEND® II - LX 2000

CLEANER REPLACEMENT PARTS



CALIFORNIA PROPOSITION 65 WARNING

⚠ **WARNING:** Cancer and Reproductive Harm.
 ⚠ **AVERTISSEMENT:** Peut Causer le Cancer et des Dommages au Système Reproducteur.
 ⚠ **ADVERTENCIA:** Cáncer y Daño Reproductivo.
www.p65warnings.ca.gov

LEGEND® II - LX 2000 (CONT'D)

CLEANER REPLACEMENT PARTS

Item	Part No.	Qty.	Description	US List	Can. List
LEGEND II - LX 2000 REPLACEMENT PARTS					
1	LXU5G		Top Cover - Gray	CALL	CALL
2	LXU145N		Main Frame (Legend II only)	CALL	CALL
3	EU10N		Bottom Cover	79.44	95.46
4 *	LXU6		Feed Mast w/ O-Ring & Swivel	59.62	71.64
5	EC86		Turbine Drive Shaft - Complete	43.34	52.08
6	EC83	1	Turbine Spacers - Set, 1 long, 1 short	3.12	3.75
7	EC80	2	Turbine Bearings	42.41	50.96
8	EA40		Turbine Shaft Shield	9.55	11.48
9	LXC110		Turbine Cover w/ Elbows	27.73	33.32
11	EC120		Hose - 7-3/4 in.	2.25	2.70
12	EB5L		Sweep Hose - Complete	42.22	50.73
13	EB10	5	Sweep Hose - Wear Ring	14.88	17.88
14	EB25		Sweep Hose - Jet w/ Collar	4.47	5.37
15	EB20	2	Sweep Hose - Adjustment Screw - White ¹	3.62	4.35
15	370198	2	Sweep Hose - Adjustment Screw - SS ²	3.44	4.13
16	EA20		Ballast Float - White	7.05	8.47
17	EH07	4	Sweep Hose - Hose Sleeve	5.80	6.97
18	360002		Debris Bag with Snaplock	60.89	73.17
18	EU15		Coarse Mesh Bag (Optional)- Blue	60.01	72.11
18	EU16		Fine Mesh Bag	47.10	56.60
20	EU9		Debris Valve	4.39	5.28
21	EU7		O-Ring for Feed Mast	1.90	2.28
22	E18		O-Ring for Thrust Jet	3.27	3.93
23	EC130	2	Thrust Jet	14.99	18.01
24	EC135	2	Thrust Jet - Plate	6.38	7.67
25	EC65		Axle - Large Wheels	5.96	7.16
26	EC70	2	Axle Plate	2.41	2.90
27	EC45	5	Axle - Lock Washer	3.87	4.65
28 *	EC6L		Wheel w/out Bearings	18.88	22.69
29	EC60	2	Wheel Bearings Only	23.43	28.15
30	EC55	5	Wheel Screw - Plastic	11.86	14.25
31 *	LXC1		Tire - Legend II	15.17	18.23
32	EB15	2	Hose Clamp	3.33	4.00
33	EC40	10	Screw for Turbine Bearings, Thrust Jet	3.59	4.31
34	EC40	10	Screw for Bottom Cover	3.59	4.31
35	EC64	2	Wheel - Plastic Washer	6.98	8.39
36	EH09C		Sweep Hose Weight (optional)	18.48	22.21
37	EC131		Thrust Jet Repair Kit, includes: E18, EC130, EC135	7.74	9.30
38	EA30	5	Screw for LXC110	2.64	3.17
39	EU76	2	Axle Bolt	3.82	4.59
40	EU147	2	Snap Fit Vac Tube Posts	7.02	8.44
41	EU79		Nut & Bolt - Feed Mast to Vac Tube	6.78	8.15
42	LXU8	2	Venturi Jet	24.37	29.28
--	EU80	2	Screw - Cover to Frame	5.61	6.74
H2 *	LX10		Back Up Valve - Low Pressure	119.33	143.39

Item	Part No.	Qty.	Description	US List	Can. List
H2	LX11		Back Up Valve - Housing	61.38	73.75
H2	E12		Back Up Valve - Top Cover	33.97	40.82
inside H2	E13		Back Up Valve - Housing O-Ring	1.90	2.28
inside H2	E14		Back Up Valve - O-Ring Gear Assembly	1.90	2.28
H2	E15	6	Back Up Valve - Screw Housing Body	6.17	7.41
inside H2 *	LX16		Back Up Valve - Gear Assembly	99.00	118.96
H3	LXD10		Feed Hose Float	7.31	8.78
H5	LX17		Feed Hose - 6 ft. Section	30.04	36.10
H4	LX18		Feed Hose - 2 ft. Section	13.24	15.91
H6	LX20	2	Feed Hose Mender w/ O-Ring #0252	7.32	8.80
H7*	LX19		Feed Hose Swivel	23.43	28.15
H8*	LXW22		Wall Fitting - Complete	36.32	43.64
H8	E21	2	Wall Fitting O-ring	4.61	5.54
H8	E23		Wall Fitting Adapter	5.70	6.85
inside H8	E24		Wall Fitting Screen	11.78	14.15
inside H8	LX25		Wall Fitting - Pressure Relief Valve	17.02	20.45
H9	LX26		Pressure Tester	25.72	30.91
LEGEND II HOSE KIT - LX209 *					
	LX209		Kit includes	575.53	691.56
	LX26	1	Pressure Tester	25.72	30.91
	LX18	1	2 ft. Hose Section	13.24	15.91
	LX20	12	Mender Nuts	7.32	8.80
	LX19	4	Swivels	23.43	28.15
	LX17	4	6 ft. Hose Section	30.04	36.10
	LXD10	7	Hose Floats	7.31	8.78
	LX10	1	Back-Up Valve	119.33	143.39
	LXW22	1	Wall Fitting - Complete	36.32	43.64
LEGEND II TUNE-UP KIT - LX205 *					
	LX205		Kit includes	423.48	508.85
	EU16	1	Fine Mesh Bag	47.10	56.60
	EU9	1	Debris Valve	4.39	5.28
	EC80	1	Turbine Bearings - 2-Pk	42.41	50.96
	EC60	4	Wheel Bearings - 2-Pk	23.43	28.15
	EC86	1	Turbine Shaft - Complete	43.34	52.08
	EB5L	1	Sweep Tail - Complete	42.22	50.73
	EC6L	2	Wheel (Large)	18.88	22.69
NOT SHOWN					
	370017		Sweep Hose Scrubber	3.69	4.43

* Recommended for stock.

¹ For use on units manufactured before 8-01-05.

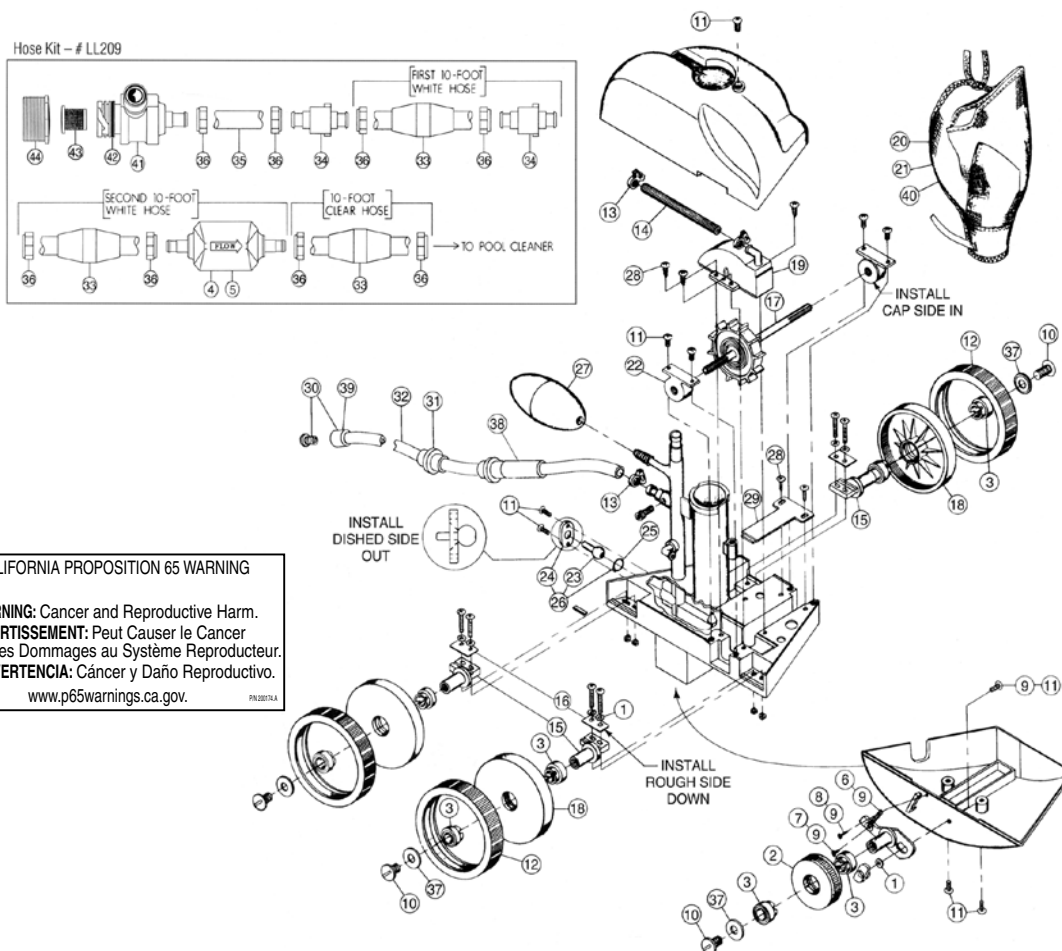
² For use on units manufactured before 8-01-05.

CALIFORNIA PROPOSITION 65 WARNING

▲ **WARNING:** Cancer and Reproductive Harm.
▲ **AVERTISSEMENT:** Peut Causer le Cancer et des Dommages au Système Reproducteur.
▲ **ADVERTENCIA:** Cáncer y Daño Reproductivo.

www.p65warnings.ca.gov. PR020714

PENTAIR REPLACEMENT PARTS FOR POLARIS® POOL CLEANERS



CALIFORNIA PROPOSITION 65 WARNING
 ⚠️ **WARNING:** Cancer and Reproductive Harm.
 ⚠️ **AVERTISSEMENT:** Peut Causer le Cancer et des Dommages au Système Reproducteur.
 ⚠️ **ADVERTENCIA:** Cáncer y Daño Reproductivo.
www.p65warnings.ca.gov

Item	Pentair Part No.	Polaris Part No.	Qty.	Description	US List	Can. List
REPLACEMENT PARTS FOR POLARIS						
1	EC45	C45	5	Lock Washer for LC36	3.87	4.65
2	EC16	C16		Small Wheel - Swing Axle	11.04	13.27
3	EC60	C60	2	Ball Bearing	23.43	28.15
4	E10	G52		Back-up Valve	115.96	139.34
5	EG15	N/A		Gear Assembly - B/U Valve	99.00	118.96
6	EC25	C25	2	Spring for LC36	3.27	3.93
7	EC30	C30	5	Screw for EC25 to Axle	2.64	3.17
8	EC32	C32	5	Screw for EC25 to Body	2.64	3.17
9	EC36H	N/A		Hardware Kit For LC36	CALL	CALL
10	EC55	C55	5	Wheel Screw	11.86	14.25
11	EC40	C40	10	Screw for A5/A10/C36/C80/C130	3.59	4.31
12	EC10	C10		Tire for LC6	20.27	24.36
13	EB15	B15	2	Clamp for Sweep Hose	3.33	4.00
14	EC120	C120		Hose for EC110, 7-3/4 in. Length	2.25	2.70

Item	Pentair Part No.	Polaris Part No.	Qty.	Description	US List	Can. List
15	EC65	C65		Axle - Large (Rear)	5.96	7.16
16	EC70	C70		Axle Plate	2.41	2.90
17	EC86	C86		Drive Shaft - Assembled	43.34	52.08
18	LC6	C6		Wheel - Large	18.30	21.99
19	EC110	C110		Turbine Cover w/ Elbow	15.83	19.02
20	LA16	A16		Sand/Silt Bag	38.51	46.27
21	LA15	A15		Leaf Bag	60.01	72.11
22	EC80	C80	2	Ball Bearings - Turbine	42.41	50.96
23	EC130	N/A	2	Thrust Jet	14.99	18.01
24	EC135	N/A	2	Jet Plate	6.38	7.67
25	E18	N/A	2	O-Ring for EC130	3.27	3.93
26	EC131	C131		Thrust Jet Repair Kit	7.74	9.30
27	EA20	A20		Ballast Float (White)	7.05	8.47
28	EA30	A30	5	Screw for EA40	2.64	3.17
29	EA40	A40		Turbine Shaft Shield	9.55	11.48
30	EB25	B25		Sweep Hose Jet with Collar	4.47	5.37

PENTAIR REPLACEMENT PARTS (CONT'D)

FOR POLARIS® POOL CLEANERS

Item	Pentair Part No.	Polaris Part No.	Qty.	Description	US List	Can. List
REPLACEMENT PARTS FOR POLARIS						
31	EB10	B10	5	Wear Ring	14.88	17.88
32	EB5L	B5		Sweep Hose - Complete	42.22	50.73
33	ED10P	D10		Float for Feed Hoses	8.22	9.88
34	ED05	D20		Swivel Feed Hose	18.04	21.68
35	LLU1	N/A		Adapter Hose - White 8-1/2 in.	6.38	7.67
36	ED15	D15	2	Mender Nut	9.43	11.33
37	EC64	C64	2	Wheel Washer	6.98	8.39
38	EH09C	B2		Weight Sweep Hose	18.48	22.21
39	LB03	N/A		Collar Hose Jet	3.48	4.18
40	LG45	G45	4	Disposable Sand/Silt Bag	CALL	CALL
41	EW22	9-100-9001		Wall Fitting - Complete	43.23	51.95
42	E21		2	O-Ring for EW22 Wall Fitting	4.61	5.54
43	E24			Screen for Wall Fitting	11.78	14.15
44	E23	6-500-00		Wall Fitting Quick Disconnect Adapter	5.70	6.85
	LD24	D24	4	O-Ring for LD22 & LD23	2.55	3.06
TUNE-UP KIT - L205P						
	L205P	A49		Kit includes	262.19	315.05
	LC6	C6	3	Wheel Large	18.30	21.99
	EC60	C60	4	Ball Bearing - 2-Pk	23.43	28.15
	EC10	C10	3	Rubber Tire	20.27	24.36
	EC65	C65	3	Axle - Large (Rear)	5.96	7.16
	EC16	C16	1	Small Wheel - Swing Axle	11.04	13.27
	EC80	C80	1	Ball Bearings - Turbine - 2-Pk	42.41	50.96
	EC86	C86	1	Turbine Shaft	43.34	52.08
	EC55	C55	1	Wheel Screw - 5-Pk	11.86	14.25
NOT SHOWN						
	JVP8			Pressure Stick w/o Gauge	36.08	43.35
	15060-0000T			Pressure Gauge for JVP8	47.86	57.51
	LC36		1	Axle Swing with T-Bracket	18.78	22.57
	353020	P17	1	Quick Disc Hose Kit, Pump	53.40	64.17
	370017	9-100-3105	1	Sweep Hose, Scrubber - (380/360/280/180)	3.69	4.43
	370024	K16	1	Bag Conversion Kit, w/ Bag - All Purpose	44.31	53.24
	370025	9-100-1014	1	Bag Conversion Kit, w/ Bag - All Purpose (380/360)	43.43	52.19
	370058	N/A	1	UWF Installation Tool	35.61	42.79
	370059	N/A	1	Bag Adaptor - (380/360) ¹	8.34	10.02
	370060	N/A	1	Bag Adaptor - (280) ¹	9.46	11.37
	370073	6-504-00	1	Filter Screen, UWF/QD - (380/360/280/180)	10.18	12.23
	370112	D23	1	Quick Disc Plug NPTM, Plastic	6.34	7.62
	370161	C66	1	Axle LG Wheel - (280/180)	CALL	CALL
	370163	D26	1	Quick Disc FEM, Plastic	17.76	21.34
	370165	G9	1	Coupling, 1-1/2 NPTF X 3/4 in. NPTM - (380/280/180)	12.24	14.71
	370168	P5	1	Volute, Booster Pump	CALL	CALL
	370169	9-100-1132	1	Drive Train Gear Kit (380/360)	26.92	32.35
	370170	9-100-1139	1	Axle Block Kit, Front & Rear - (380/360)	32.30	38.81

Item	Pentair Part No.	Polaris Part No.	Qty.	Description	US List	Can. List
	370171	9-100-1103	1	Turbine Wheel with Bearing (380/360)	17.40	20.91
	370173	9-100-7003	1	Feed Pipe w/o Timer - (380)	20.74	24.92
	370174	P15	1	Impeller 3/4 HP, Pump	CALL	CALL
	370176	9-100-1114	1	Hub Cap - (380/360/340)	1.71	2.05
	370177	9-100-3135	1	Collar, Bag Tie - (360)	3.86	4.64
	370178	9-100-1008	1	Wheel, Double-Side - (380/360)	18.48	22.21
	370179	9-100-1116	1	Wheel, Single-Side - (380/360)	15.08	18.12
	370180	9-100-1007	1	Transfer Pulley Drive Shaft Assy. - (380/360)	28.27	33.97
	370184	K15	1	Leaf Bag - (280) ²	60.01	72.11
	370185	9-100-1012	1	Leaf Bag - (380/360) ³	60.01	72.11
	370186	9-100-5107	2	E-Clip SS - (380/360)	1.53	1.84
	370187	P20	1	Plug 1/8 in. NPTM, Pump	2.90	3.48
	370189	9-100-3103	1	Feed Hose 1FT - (360)	5.65	6.79
	370198	B20	1	Adj Screw Sweep Hose - (380/360/280/180)	3.44	4.13
	E25	9-100-9002	1	Pressure Relief Valve - (380/280/180)	16.95	20.37
	EC83	C83	1	Turbine Shaft Tube - (280/180)	3.12	3.75
	EH07	N/A	4	Sweep Hose, Sleeves	5.80	6.97
	L91001017	9-100-1017	1	Belt Kit, Small & Large - (380/360)	43.78	52.61
	LA115	P65	2	Bolt SS, Stand to Bracket And Motor	3.88	4.66
	LA125	P25	2	Nut/Bolt SS For Volute to Bracket	3.73	4.48
	LA45	A45	1	Float Arm Repair Kit - (180)	25.10	30.16
	LBB91001108	9-100-1108	2	Wheel Bearing - (380/360/340)	11.04	13.27
	LC115	C115	2	Elbow for Turbine Cvr or Feed Mast Tube	9.43	11.33
	LC36	C36	1	Swing Axle Kit (280/180)	18.78	22.57
	LD45	D45	1	Feed Hose, 10 ft. Wht - (380/280/180)	36.53	43.89
	LD50	D50	1	Leader Feed Hose Clr 10 ft. - (380/280/180)	CALL	CALL
	LL209	G5	1	Feed Hose Compl, with Back-Up Valve	386.85	464.84
	LX10	9-100-1200	1	Back-Up Valve - (360)	119.33	143.39
	LX17	9-100-3102	1	Feed Hose 6Ft - (360)	30.04	36.10
	LX19	9-100-3002	1	Swivel Hose - (360)	23.43	28.15
	LX20	9-100-3109	2	Hose Nut - (360)	7.32	8.80
	LXW22	9-100-3006 9-100-3009	1	Quick Disconnect UWF with Pressure Relief Valve - (360)	36.32	43.64
	370239	P133	4	Quick Connect Fittings for Booster Pump	36.20	43.50

¹ Required to adapt Pentair Bag to 380/360 Includes Debris Valve.

² Requires Bag Conversion Kit 370060 on initial replacement conversion kit.

³ Requires Bag 370059 on initial replacement.

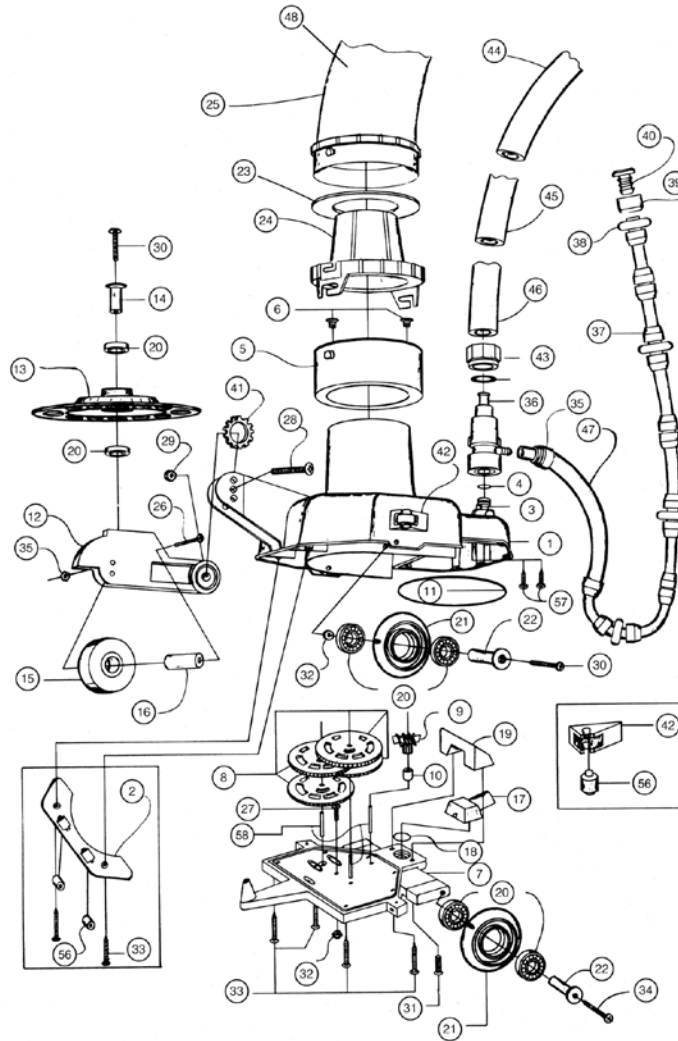
Note: These parts are manufactured by Pentair Water Pool and Spa, Inc. as replacements for designated Zodiac Pool Systems, Inc. ("Zodiac") products. Polaris® is a registered trademark of Zodiac.

JET-VAC® - JV105

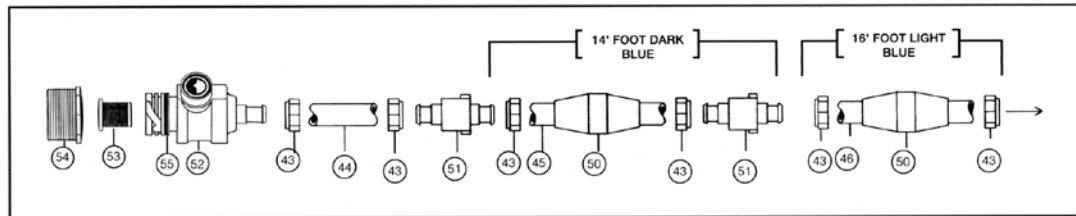
CLEANER REPLACEMENT PARTS

CALIFORNIA PROPOSITION 65 WARNING

⚠ **WARNING:** Cancer and Reproductive Harm.
 ⚠ **AVERTISSEMENT:** Peut Causer le Cancer et des Dommages au Système Reproducteur.
 ⚠ **ADVERTENCIA:** Cáncer y Daño Reproductivo.
www.p65warnings.ca.gov



HOSE KIT - # JV209



Item	Part No.	Qty.	Description	US List	Can. List
JET-VAC -JV105 REPLACEMENT PARTS					
1	JV2C		Venturi Shell (Blue)	248.22	298.26
2	JV2B		Deflector Assembly	39.34	47.27
3	JV3		Connector	14.94	17.95
4	EF07	2	O-Ring for JV3	2.21	2.66
5	JV4		Shell Float	87.69	105.37
6	JV4B		Adjustment Bushing for Shell Float Cover	4.24	5.09

Item	Part No.	Qty.	Description	US List	Can. List
7	JV5		Gear Plate	178.89	214.95
7	JV5C		Gear Plate with Gears	242.32	291.17
8	JV7	4	Gear	69.98	84.09
9	JV8		Propeller	15.17	18.23
10	JV9		Spacer for Propeller	6.04	7.26
11	JV11		O-Ring for JV2C	2.81	3.38
12	JV12		Roller Arm	49.33	59.27

JET-VAC® - JV105 (CONT'D)

CLEANER REPLACEMENT PARTS

Item	Part No.	Qty.	Description	US List	Can. List
13	JV13		Nose Wheel	50.67	60.89
14	JV14		Nose Wheel Hub	3.87	4.65
15	JV15		S. Steel Wheel	47.45	57.02
16	JV16		Hub for S. Steel Wheel	5.55	6.67
17	JV17		Pusher Jet Nozzle	28.79	34.59
18	E18		O-Ring for Pusher Jet	3.27	3.93
19	JV19		Pusher Jet Nozzle Holder	45.64	54.84
20	LG35B	2	Bearing	25.27	30.36
21	JV21	2	Tire	10.15	12.20
22	JV22	4	Hub for Tire	11.58	13.91
23	JV29		Funnel Adapter Gasket	10.93	13.13
24	JV30		Funnel Adapter	98.61	118.49
25	JV32		Fine Silt Bag with Locking Ring	52.04	62.53
26	JV39	2	Screw for S. Steel Wheel	2.84	3.41
27	JV40	2	Screw for Gear Plate Center	5.78	6.95
28	JV41	2	Screw for Roller Arm	2.84	3.41
29	EU78	2	Nut for Roller Arm	4.24	5.09
30	JV43	3K	Screw for Front Tire Hub & Nose Wheel Hub	2.11	2.54
31	JV44	2	Screw for Pusher Jet Holder	1.32	1.59
32	JV45	5	Nut for JV43 and JV40	5.21	6.26
33	JV46	5	Screw for JV5C and JV2B	3.53	4.24
34	JV48	2	Screw for Back Tires	1.59	1.91
35	JV45		Nut, Nylon 6-32, 5 Pack	5.21	6.26
36	JV50		Quick Disconnect Swivel	68.17	81.91
37	JV53	4	Hose Sleeve	6.87	8.25
38	JV54	5	Roller Ring	33.94	40.78
39	JV55		Hose Jet Collar	5.55	6.67
40	JV56		Hose Jet	6.72	8.07
41	JV61	2	Lock Washer for Roller Arm	7.35	8.83
42	JV62	2	Side Wheel Assembly	25.41	30.53
43	ED15	2	Hose, Mender - Plastic	9.43	11.33
44	JV501		2 in. Hose, Feeder - First Section - White	12.38	14.88
45	JV502		14 in. Hose, Feeder - Second Section - Dark Blue (Hard)	CALL	CALL
46	JV503		16 in. Hose, Feeder - Third Section - Light Blue (Soft)	87.78	105.48
47	JV52		Sweep Hose - Complete	90.60	108.86
48	JV31		Coarse Mesh Leaf Bag w/ Locking Ring	52.04	62.53
50	ED10P		Feed Hose Float	8.22	9.88
51	ED05		Swivel	18.04	21.68
52	EW22		Wall Fitting - Complete	43.23	51.95
53	E24		Screen For Wall Fitting	11.78	14.15
54	E23		Quick Disconnect Adapter	5.70	6.85
55	E21	2	O-Ring For Wall Fitting	4.61	5.54
56	JV64	2	Sidewheels	11.99	14.41
57	LG10	2	Screws for JV3	2.21	2.66
58	JV6	3	Shaft	27.94	33.57

JET-VAC GEAR TUNE-UP KIT - JV204

JV204			Kit includes	106.43	127.89
JV6	3		Shaft	27.94	33.57
JV9	1		Spacer	6.04	7.26
JV7	4		Gear Beige	69.98	84.09
JV8	1		Impeller Beige	15.17	18.23

Item	Part No.	Qty.	Description	US List	Can. List
JET-VAC TUNE-UP KIT - JV205					
	JV205		Kit includes	436.62	524.64
	JV5C	1	Gear Plate w/ Gears	242.32	291.17
	JV21	2	Tires - 2-Pk	10.15	12.20
	LG35B	5	Bearings - 2-Pk	25.27	30.36
	JV52	1	Sweep Tail - Complete	90.60	108.86
	JV11	1	O-Ring for Gear Plate	2.81	3.38
	JV32	1	Debris Bag	52.04	62.53
	JV4B	1	Adjustment Bushings	4.24	5.09
JET-VAC OVERHAUL KIT - JV206					
	JV206		Kit includes	676.80	813.24
	JV4	1	Shell Float Housing	87.69	105.37
	JV2B	1	Defector Plate w/ Rollers	39.34	47.27
	JV5C	1	Gear Plate w/ Gears	242.32	291.17
	JV21	2	Tires - 2-Pk	10.15	12.20
	JV30	1	Funnel Adaptor	98.61	118.49
	JV32	1	Debris Bag	52.04	62.53
	JV52	1	Sweep Tail - Complete	90.60	108.86
	JV62	1	Side Wheel - Complete	25.41	30.53
	LG35B	5	Bearings	25.27	30.36
	JV11	1	O-Ring for Gear Plate	2.81	3.38
	JV13	1	Nose Wheel	50.67	60.89
JET-VAC HOSE KIT - JV209					
	JV209		Kit includes	CALL	CALL
	JV501	1	2 ft. Hose, Feeder - First Section/White	12.38	14.88
	JV502	1	14 ft. Hose, Feeder - Second Section/Lt. Blue	CALL	CALL
	JV503	1	16 ft. Hose, Feeder - Third Section/Drk. Blue	87.78	105.48
	JV52	1	Sweep Tail - Complete	90.60	108.86
	EW22	1	Wall Fitting - Complete	43.23	51.95
	ED10P	4	Floats	8.22	9.88
	ED15	3	Mender Nuts - 2-Pk	9.43	11.33
	ED05	2	Swivels	18.04	21.68
	JV50	1	Disconnect Swivel with Barb	68.17	81.91
JET-VAC FEED HOSE COMPLETE - JV504C					
	JV504C		Kit includes	CALL	CALL
	JV501	1	2 ft. Hose, Feeder - First Section/White	12.38	14.88
	JV502	1	14 ft. Hose, Feeder - Second Section/Lt. Blue	CALL	CALL
	JV503	1	16 ft. Hose, Feeder - Third Section/Drk. Blue	87.78	105.48
	JV52	1	Sweep Tail - Complete	90.60	108.86
	ED10P	4	Floats	8.22	9.88
	ED15	3	Mender Nuts - 2-Pk	9.43	11.33
	ED05	2	Swivels	18.04	21.68
	JV50	1	Disconnect Swivel with Barb	68.17	81.91

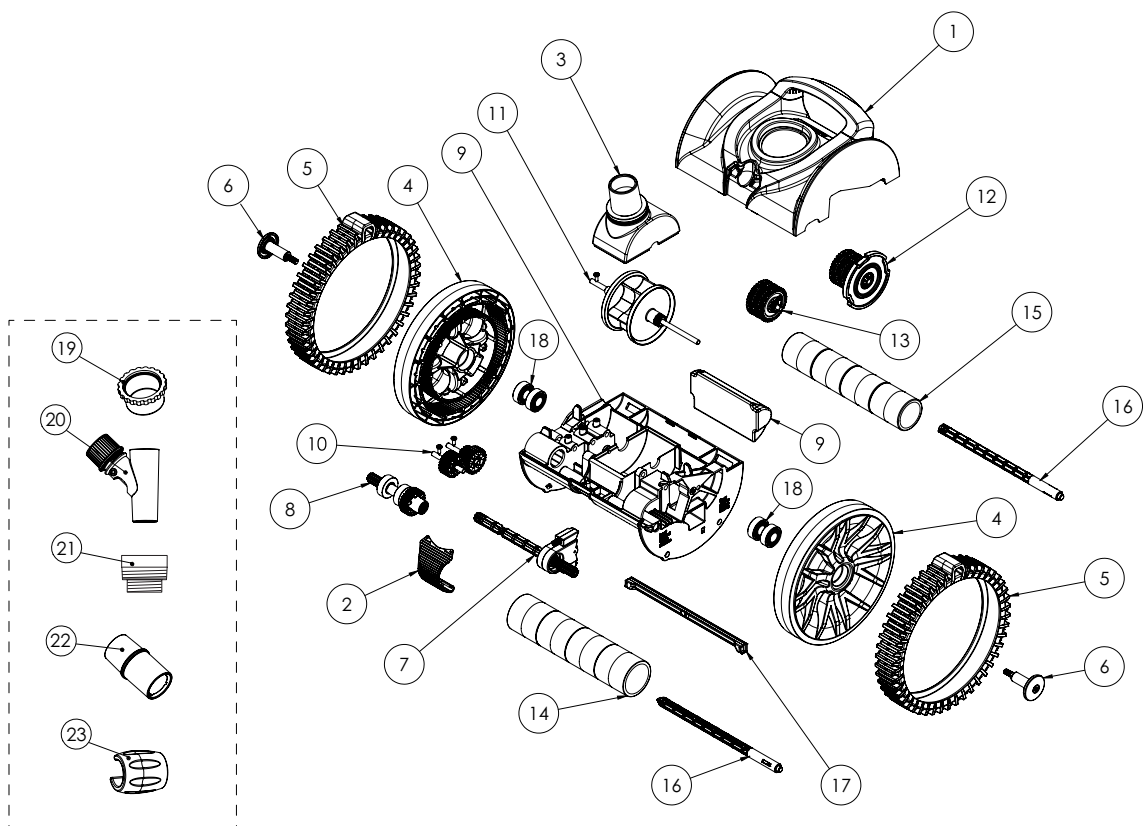
Jet-Vac® is a registered trademark of Automatic Pool Cleaners (Australia) Pty Limited.

CALIFORNIA PROPOSITION 65 WARNING

▲ **WARNING:** Cancer and Reproductive Harm.
▲ **AVERTISSEMENT:** Peut Causer le Cancer et des Dommages au Système Reproducteur.
▲ **ADVERTENCIA:** Cáncer y Daño Reproductivo.

www.p65warnings.ca.gov

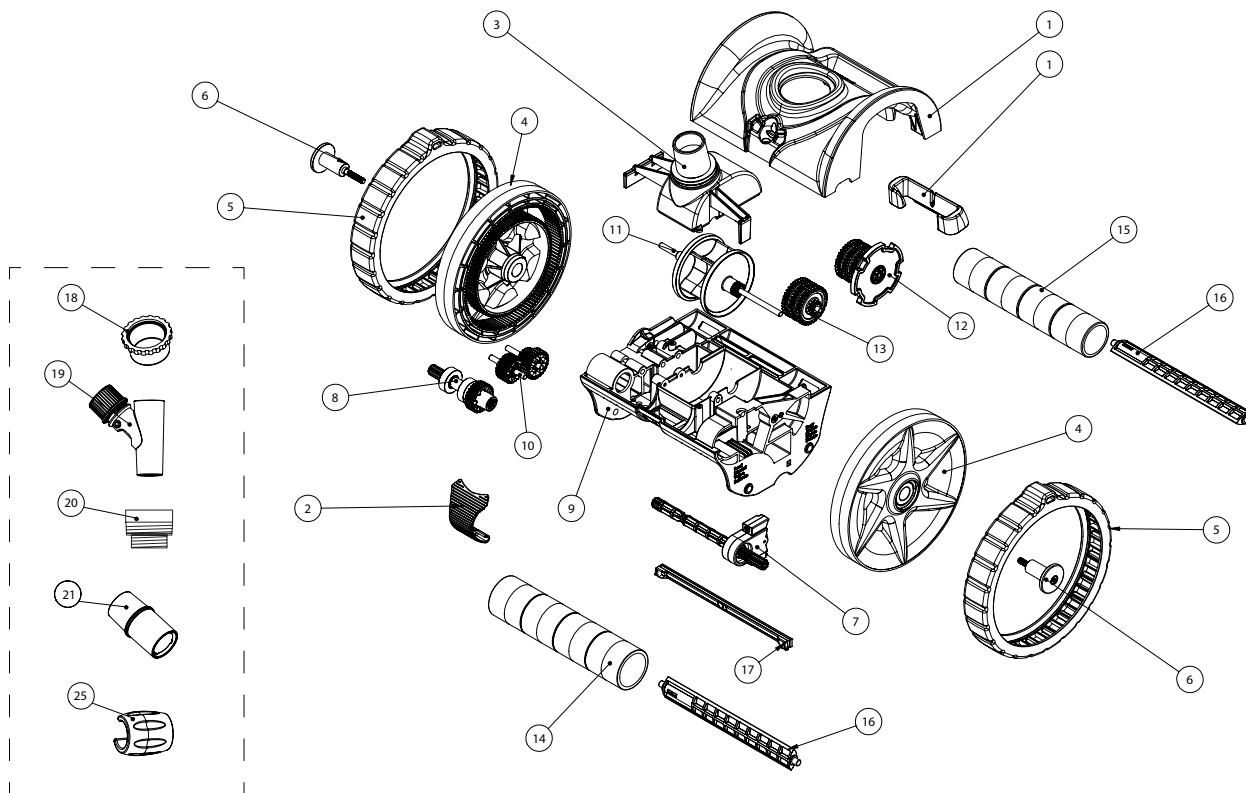
PENTAIR REBEL® CLEANER REPLACEMENT PARTS



Item	Part No.	Qty.	Description	US List	Can. List
PENTAIR REBEL REPLACEMENT PARTS					
1	360477	1	Top Cover Kit	66.80	80.27
2	360284	1	Buckle Kit	8.87	10.66
3	360453	1	Swivel Kit	31.11	37.38
4	360480	1	Wheel Kit	58.11	69.82
5	360482	1	Tire Kit	78.41	94.22
6	360483	1	Wheel Hub Kit	23.35	28.06
7	360289	1	Left Drive Kit	40.68	48.88
8	360290	1	Right Drive Kit	46.51	55.89
9	360485	1	Chassis Kit	84.31	101.31
10	360292	1	Drive Gear Kit	13.15	15.80
11	360293	1	Turbine Kit	34.17	41.06
12	360294	1	Cam Kit	17.53	21.06
13	360295	1	Cam Gear Kit	17.53	21.06
14	360296	1	Front Roller Kit	40.68	48.88
15	360297	1	Rear Roller Kit	34.98	42.03
16	360487	1	Roller Bar Kit	29.16	35.04
17	360299	1	Wear Bar Kit	CALL	CALL
18	360492	1	Bearing Kit	30.52	36.67
19	41200-0211	1	Valve Cap	CALL	CALL

Item	Part No.	Qty.	Description	US List	Can. List
20	412-0213	1	Regulator Valve	CALL	CALL
21	K12079	1	Threaded Compression Adaptor	12.02	14.44
22	41200-0212	1	Flow Gauge	31.63	38.01
23	360300	1	Hose Float	CALL	CALL
NOT SHOWN					
	GW9530	1	Vacuum Line Door	60.02	72.12
	41201-0236	2	Eyeball Diverter	0.52	0.62
	K12465	1	Hose Protector	9.04	10.86
	K01213	1	Hose Set	260.66	313.21
	360488	1	Leader Hose Replacement	49.41	59.37
	360490		Large Hump Tire	82.82	99.52
	360491		Long Run Cam	CALL	CALL

PENTAIR REBEL® 2018 AND EARLIER MODELS CLEANER REPLACEMENT PARTS



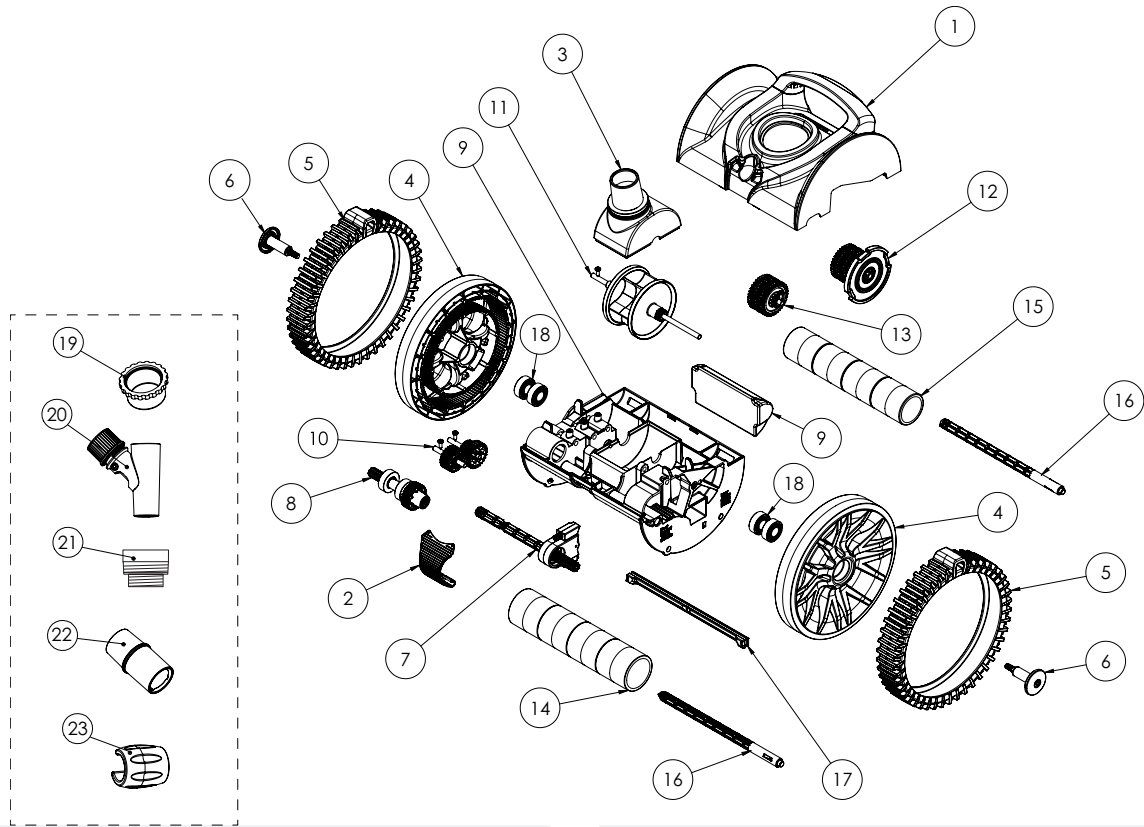
Item	Part No.	Qty.	Description	US List	Can. List
PENTAIR REBEL REPLACEMENT PARTS					
1	360283	1	Top Cover Kit	66.80	80.27
2	360284	1	Buckle Kit	8.87	10.66
3	360285	1	Swivel Kit	CALL	CALL
4	360286	1	Wheel Kit	58.12	69.84
5	360287	1	Tire Kit	78.42	94.23
6	360288	1	Wheel Hub Kit	23.35	28.06
7	360289	1	Left Drive Kit	40.68	48.88
8	360290	1	Right Drive Kit	46.51	55.89
9	360291	1	Bottom Cover Kit	159.40	191.54
10	360292	1	Drive Gear Kit	13.15	15.80
11	360293	1	Turbine Kit	34.17	41.06
12	360294	1	Cam Kit	17.53	21.06
13	360295	1	Cam Gear Kit	17.53	21.06
14	360296	1	Front Roller Kit	40.68	48.88
15	360297	1	Rear Roller Kit	34.98	42.03
16	360298	1	Roller Bar Kit	29.17	35.05
17	360299	1	Wear Bar Kit	CALL	CALL

Item	Part No.	Qty.	Description	US List	Can. List
18	41200-0211	1	Valve Cap	CALL	CALL
19	41200-0213	1	Regulator Valve	62.32	74.88
20	K12079	1	Threaded Compression Adaptor	12.02	14.44
21	41200-0212	1	Flow Gauge	31.63	38.01
25	360300	1	Hose Float	CALL	CALL
NOT SHOWN					
22	GW9530	1	Vacuum Line Door	60.02	72.12
23	41201-0236	2	Eyeball Diverter	0.52	0.62
24	K12465	1	Hose Protector	9.04	10.86
26	K01213	1	Hose Set	260.66	313.21
27	GW7911	1	Leader Hose	14.85	17.84
	360326		Large Hump Tire	82.81	99.50
	360327		Long Run Cam	29.11	34.98

CALIFORNIA PROPOSITION 65 WARNING
 ⚠️ **WARNING:** Cancer and Reproductive Harm.
 ⚠️ **AVERTISSEMENT:** Peut Causer le Cancer et des Dommages au Système Reproducteur.
 ⚠️ **ADVERTENCIA:** Cáncer y Daño Reproductivo.
www.p65warnings.ca.gov P102071A

KREEPY KRAULY® WARRIOR®

CLEANER REPLACEMENT PARTS



Item	Part No.	Qty.	Description	US List	Can. List
KREEPY KRAULY WARRIOR REPLACEMENT PARTS					
1	360478	1	Top Cover Kit	CALL	CALL
2	360305	1	Buckle Kit	14.81	17.80
3	360453	1	Swivel Kit	31.11	37.38
4	360481	1	Wheel Kit	CALL	CALL
5	360482	1	Tire Kit	78.41	94.22
6	360483	1	Wheel Hub Kit	23.35	28.06
7	360289	1	Left Drive Kit	40.68	48.88
8	360290	1	Right Drive Kit	46.51	55.89
9	360485	1	Chassis Kit	84.31	101.31
10	360292	1	Drive Gear Kit	13.15	15.80
11	360293	1	Turbine Kit	34.17	41.06
12	360294	1	Cam Kit	17.53	21.06
13	360295	1	Cam Gear Kit	17.53	21.06
14	360296	1	Front Roller Kit	40.68	48.88
15	360297	1	Rear Roller Kit	34.98	42.03
16	360487	1	Roller Bar Kit	29.16	35.04

Item	Part No.	Qty.	Description	US List	Can. List
17	360299	1	Wear Bar Kit	CALL	CALL
18	360492	1	Bearing Kit	30.52	36.67
19	41200-0211	1	Valve Cap	CALL	CALL
20	41200-0213	1	Regulator Valve	62.32	74.88
21	K12079	1	Threaded Compression Adaptor	12.02	14.44
22	41200-0212	1	Flow Gauge	31.63	38.01
23	360317	1	Hose Float	29.71	35.70
NOT SHOWN					
	GW9530	1	Vacuum Line Door	60.02	72.12
	41201-0236	2	Eyeball Diverter	0.52	0.62
	K12465	1	Hose Protector	9.04	10.86
	360309	1	Hose Set	255.21	306.66
	360489	1	Leader Hose	CALL	CALL
	360490	1	Large Hump Tire	82.82	99.52
	360491	1	Long Run Cam	CALL	CALL

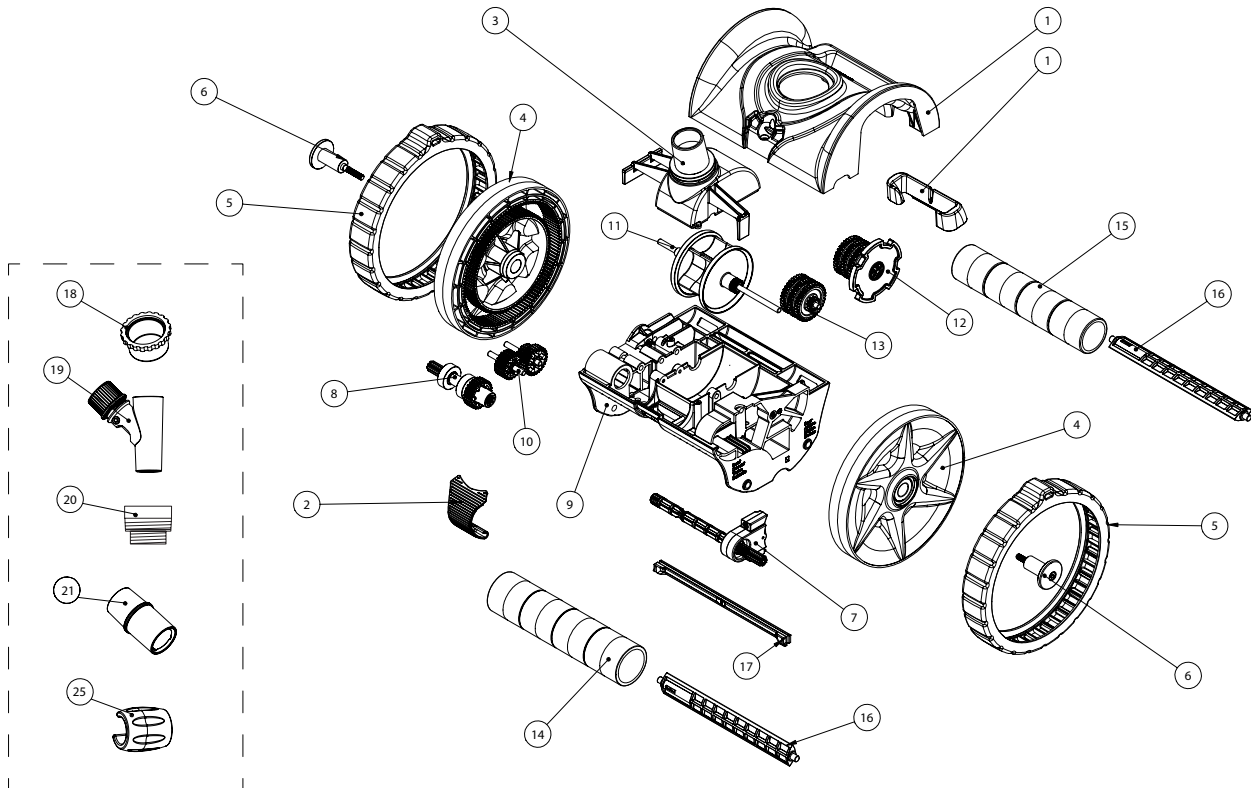
CALIFORNIA PROPOSITION 65 WARNING

⚠ **WARNING:** Cancer and Reproductive Harm.
 ⚠ **AVERTISSEMENT:** Peut Causer le Cancer et des Dommages au Système Reproducteur.
 ⚠ **ADVERTENCIA:** Cáncer y Daño Reproductivo.
www.p65warnings.ca.gov

Product on page 24.

KREEPY KRAULY® WARRIOR® 2018 AND EARLIER MODELS

CLEANER REPLACEMENT PARTS



Item	Part No.	Qty.	Description	US List	Can. List
KREEPY KRAULY WARRIOR REPLACEMENT PARTS					
1	360304	1	Top Cover Kit	67.60	81.23
2	360305	1	Buckle Kit	14.81	17.80
3	360285	1	Swivel Kit	CALL	CALL
4	360306	1	Wheel Kit	29.22	35.11
5	360287	1	Tire Kit	78.42	94.23
6	360288	1	Wheel Hub Kit	23.35	28.06
7	360289	1	Left Drive Kit	40.68	48.88
8	360290	1	Right Drive Kit	46.51	55.89
9	360291	1	Bottom Cover Kit	159.40	191.54
10	360292	1	Drive Gear Kit	13.15	15.80
11	360293	1	Turbine Kit	34.17	41.06
12	360294	1	Cam Kit	17.53	21.06
13	360295	1	Cam Gear Kit	17.53	21.06
14	360296	1	Front Roller Kit	40.68	48.88
15	360297	1	Rear Roller Kit	34.98	42.03

Item	Part No.	Qty.	Description	US List	Can. List
16	360298	1	Roller Bar Kit	CALL	CALL
17	360299	1	Wear Bar Kit	62.32	74.88
18	41200-0213	1	Regulator Valve Kit	12.02	14.44
20	K12079	1	Threaded Compression Adaptor	31.63	38.01
21	41200-0212	1	Flow Gauge	29.71	35.70
25	360317	1	Hose Float	28.39	34.11
NOT SHOWN					
22	GW9530	1	Vacuum Line Door	60.02	72.12
23	41201-0236	2	Eyeball Diverter	0.52	0.62
24	K12465	1	Hose Protector	9.04	10.86
26	360309	1	Hose Set	255.21	306.66
27	360308	1	Leader Hose	CALL	CALL
	360326		Large Hump Tire	82.81	99.50
	360327		Long Run Cam	29.11	34.98

CALIFORNIA PROPOSITION 65 WARNING

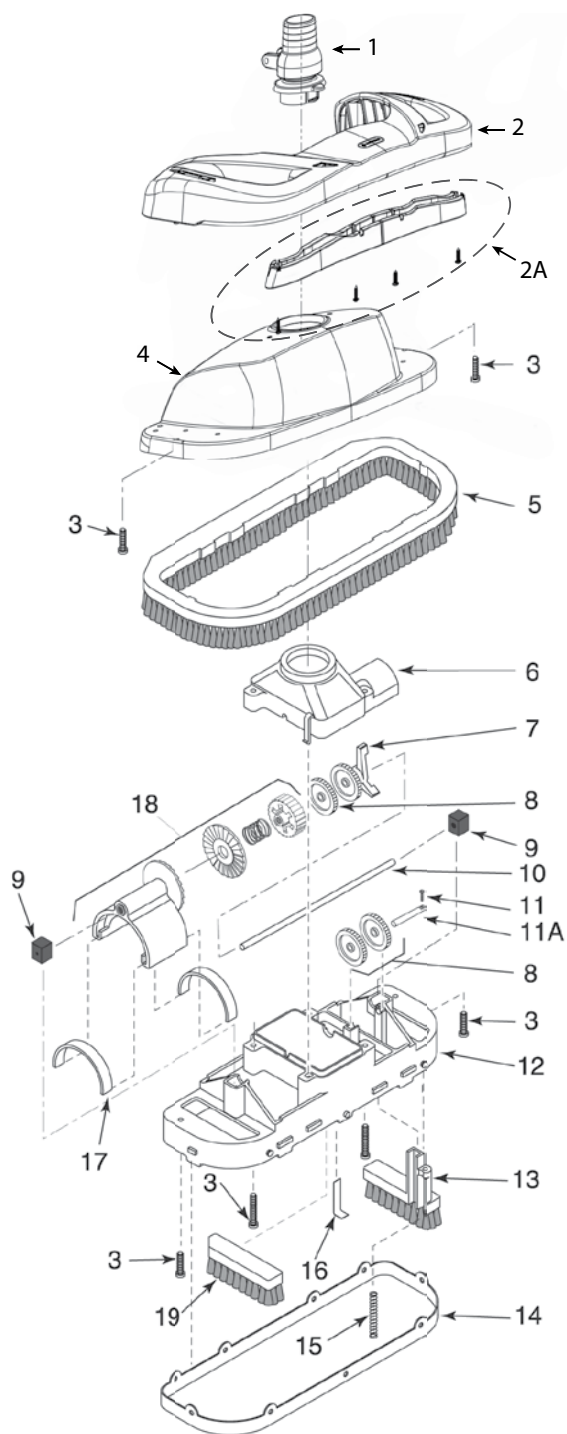
⚠ **WARNING:** Cancer and Reproductive Harm.
 ⚠ **AVERTISSEMENT:** Peut Causer le Cancer et des Dommages au Système Reproducteur.
 ⚠ **ADVERTENCIA:** Cáncer y Daño Reproductivo.
www.p65warnings.ca.gov

PA 201714

PENTAIR DORADO®

CLEANER REPLACEMENT PARTS

Item	Part No.	Description	US List	Can. List
DORADO REPLACEMENT PARTS				
1	GW9012	Swivel Assembly	29.58	35.54
2	360152	Bumper	50.83	61.08
2A	360154	Bumper Insert Kit (Includes Bumper Inserts & 4 Bumper Insert Screws)	25.13	30.20
3	GW9504	Screw Kit (6 short, 2 long)	13.89	16.69
4	360153	Shroud	37.54	45.11
5	GW9505	Brush Ring	108.62	130.52
6	GW9506	Oscillator Chamber Cap	46.19	55.50
7	GW9507	Cam Kit (2 & 3 Leg Cams)	32.58	39.15
8	GW9509	Idler Gear Kit (Includes 3 Gears)	32.34	38.86
9	GW9512	Block Kit (Includes 2 Blocks)	18.03	21.66
10	GW9513	Long Gear Shaft (Stainless Steel)	46.18	55.49
11		Set Screw #4 Self Tapping Not Available Separately		
11A	GW9536	Shaft Kit, Stainless Steel (Includes Set Screw)	16.50	19.83
12	GW9535	Lower Body ¹	116.34	139.79
13	GW9517	Lift Brush	36.96	44.41
14	GW9508	Vacuum Skirt	26.11	31.37
15	GW9522	Lift Brush Spring	11.86	14.25
16	GW9523	Ratchet Tab (Stainless Steel)	10.63	12.77
17	GW9004	Oscillator Seal Kit (Includes 2 Seals)	14.55	17.48
18	GW9503	Oscillator Assembly Kit (Includes Key #17) (Ratchet Assembly not sold separately)	150.10	180.36
19	GW9013	Center Brush Kit (Set of 2)	41.89	50.34
NOT SHOWN				
	41200-0131	Hose Kit, 12 sections, each 4 ft. in length	CALL	CALL
	41200-0200	Vacuum Regulator	CALL	CALL
	41200-0211	Vacuum Regulator Cap	CALL	CALL
	GW9015	Reducer Cone	23.35	28.06
	GW9019	Unidapt Handle	12.27	14.74
	GW9530	Vac Port Fitting	60.02	72.12
	41200-0210	Flow Gauge	CALL	CALL



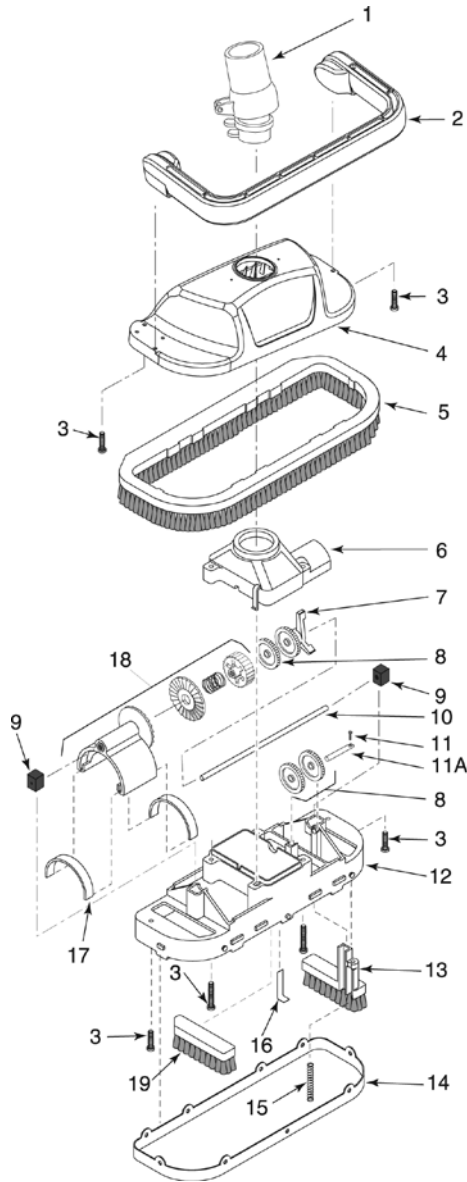
¹ Includes Item Nos. 6, 11A, 13, 15, 16, two idler gears and 2-arm cams

CALIFORNIA PROPOSITION 65 WARNING

⚠ **WARNING:** Cancer and Reproductive Harm.
 ⚠ **AVERTISSEMENT:** Peut Causer le Cancer et des Dommages au Système Reproducteur.
 ⚠ **ADVERTENCIA:** Cáncer y Daño Reproductivo.
www.p65warnings.ca.gov

KREEPY KRAULY® GREAT WHITE®

CLEANER REPLACEMENT PARTS



Item	Part No.	Description		
GREAT WHITE REPLACEMENT PARTS				
1	GW9012	Swivel Assembly	29.58	35.54
2	360227	Bumper	89.66	107.74
3	GW9504	Screw Kit (6 short, 2 long)	13.89	16.69
4	GW9501	Shroud	159.27	191.38
5	GW9505	Brush Ring Kit (Includes Vacuum Skirt)	108.62	130.52
6	GW9506	Oscillator Chamber Cap	46.19	55.50
7	GW9507	Cam Kit (2 & 3 Leg Cams)	32.58	39.15
8	GW9509	Idler Gear Kit (Includes 3 Gears)	32.34	38.86
9	GW9512	Block Kit (Includes 2 Blocks)	18.03	21.66
10	GW9513	Long Gear Shaft (Stainless Steel)	46.18	55.49
11		Shaft Mounting Screw (included in Part No. 11A)		
11A	GW9536	Shaft Kit - Includes Part No. 11	16.50	19.83
12	GW9535	Lower Body	116.34	139.79
13	GW9517	Lift Brush	36.96	44.41
14	GW9508	Vacuum Skirt	26.11	31.37
15	GW9522	Lift Brush Spring	11.86	14.25
16	GW9523	Ratchet Tab (Stainless Steel)	10.63	12.77
17	GW9004	Oscillator Seal Kit (Includes 2 Seals)	14.55	17.48
18	GW9503	Oscillator Assembly Kit (Includes Item #17, Ratchet Ass'y not sold separately)	150.10	180.36
19	GW9013	Center Brush Kit (Set of 2)	41.89	50.34
NOT SHOWN				
	GW9527	Ratchet Tab Service Kit	18.20	21.87
	41200-0213	Vacuum Regulator and Cap	62.32	74.88
	GW9015	Reducer Cone	23.35	28.06
	GW9019	Unidapt Handle	12.27	14.74
	GW9530	Vac Port Fitting	60.02	72.12
	41200-0212	Flow Gauge	31.63	38.01
	41200-0130	Hose Sectional Kit with Leader, 40 ft.	263.16	316.21
	41200-0133	Hose, bulk pack 20, 1-1/2 in. M/F sections	360.18	432.79
	41200-0134	Hose bulk pack 12, leader sections	243.04	292.04
	77705-0200	Accessory Pkg. includes: GW9012, 41200-0213, GW9015, GW9019, GW9530, 41200-0212	90.74	109.03

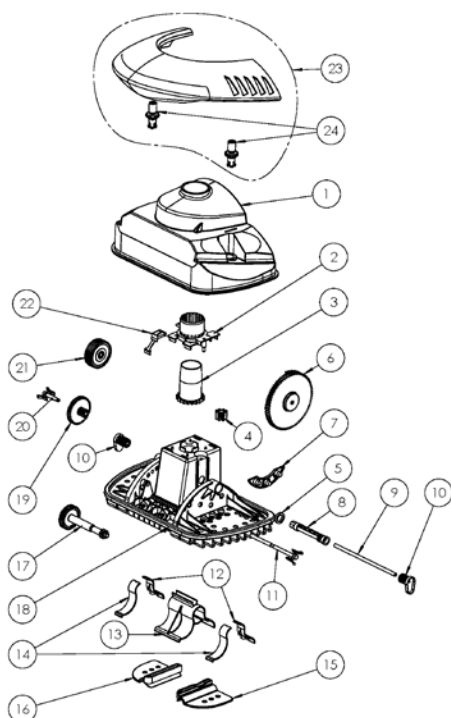
CALIFORNIA PROPOSITION 65 WARNING

⚠️ **WARNING:** Cancer and Reproductive Harm.
 ⚠️ **AVERTISSEMENT:** Peut Causer le Cancer et des Dommages au Système Reproducteur.
 ⚠️ **ADVERTENCIA:** Cáncer y Daño Reproductivo.

www.p65warnings.ca.gov
PK2017A

KREEPY KRAULY® SANDSHARK™

CLEANER REPLACEMENT PARTS



CALIFORNIA PROPOSITION 65 WARNING
 ⚠️ **WARNING:** Cancer and Reproductive Harm.
 ⚠️ **AVERTISSEMENT:** Peut Causer le Cancer et des Dommages au Système Reproducteur.
 ⚠️ **ADVERTENCIA:** Cáncer y Daño Reproductivo.
www.p65warnings.ca.gov PH 201714A

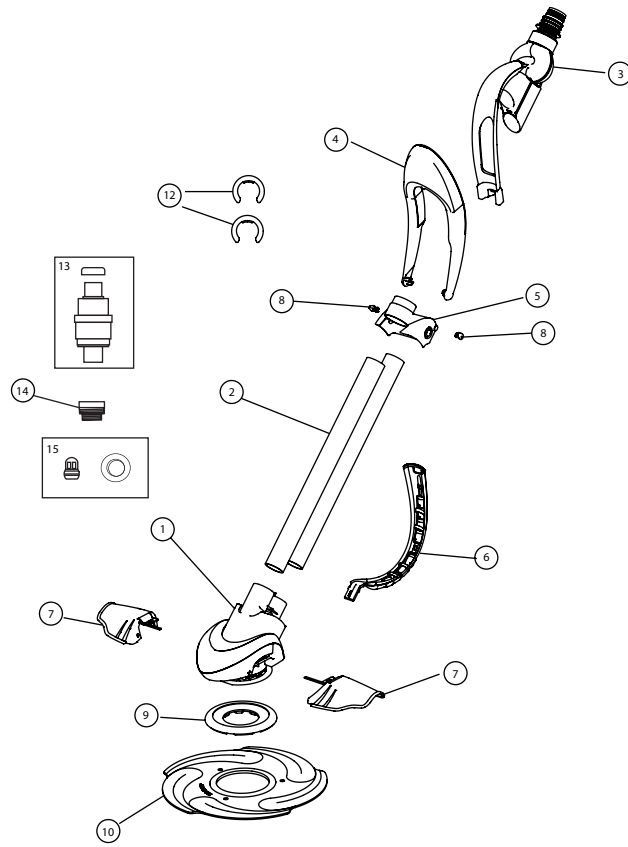
Product on page 28.

Item	Part No.	Qty.	Description	US List	Can. List
STEERING KIT (Incl. Item #'s 2,3,4, 24)					
	GW7910		Steering Kit (Incl. Key Nos. 2, 3, 4 & 22)	26.25	31.54
2		1	Swivel Housing		
3			Swivel		
4			Swivel Sprocket		
22			Clutch Clip		
CLUTCH KIT (Includes Item #'s 5, 8, 21)					
	GW7503		Clutch Kit (Incl. Key Nos. 5, 8 & 21)	44.28	53.21
5		1	Oscillator Sleeve Bushing		
8		1	Oscillator Sleeve		
21		1	Clutch Assembly		
GEAR KIT (Includes Item #'s 6, 10, 11, 17, 19, 20)					
	GW7504		Gear Kit (Incl. Key Nos. 6, 10, 11, 17, 19 & 20)	91.07	109.43
6		1	Large steering Drive Assembly		
10		2	Shaft Plug		
11		1	Long Sprocket Clip		
17		1	Drive Shaft assembly		
19		1	Center Sprocket		
20		1	Short Sprocket Clip		
OSCILLATOR KIT (Includes Item #'s 12, 13, 14)					
	GW7912		Oscillator Kit (Incl. Key Nos. 12, 13 & 14)	27.50	33.04
12		2	Small Sliding Seal		
13		1	Oscillator		
14		2	Large Sliding Seal		

Item	Part No.	Qty.	Description	US List	Can. List
SEAL FLAP KIT (Includes Item #'s 15, 16)					
	GW7913		Seal Flap Kit (Incl. Key Nos. 15 & 16)	24.86	29.87
15		1	Right Seal Flap		
16		1	Left seal Flap		
ACCESSORY KIT					
	GW7901		Accessory Kit (Not shown)	166.26	199.78
		1	Regulator		
		1	Regulator cap		
		2	Hose Weight		
		1	Flow gage		
		1	Reducer Cone		
		2	Eyeball Diverter		
		1	Vac Port Fitting		
SANDSHARK PARTS					
1	GW7903	1	Outer Housing	21.56	25.91
9	41201-0213	1	Shaft - Stainless Steel	11.50	13.82
18	41201-0242W	1	Chassis with Pad	163.35	196.28
23	GW7902	1	Bumper with flex snaps	89.18	107.16
24	GW7904		Flex Snaps Kit	20.59	24.74
NOT SHOWN					
	GW7911	1	Short Leader Hose	14.85	17.84
	GW7907	25	Suction Hose, 1 Meter segment	443.01	532.32
	41200-0213		Regulator Kit334	62.32	74.88
	41200-0209		Flow Gauge (yellow)	CALL	CALL
	GW9015		Reducer Cone (velve)	23.35	28.06
	K12454		Hose Weight	20.24	24.32

KREEPY KRAULY® - 2013 MODEL

CLEANER REPLACEMENT PARTS

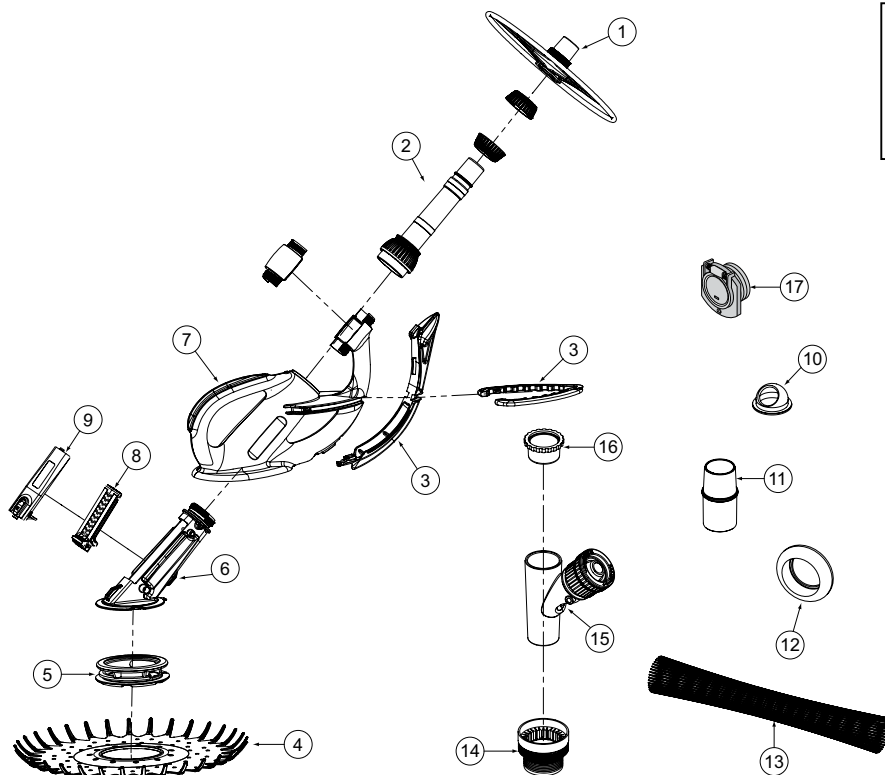


CALIFORNIA PROPOSITION 65 WARNING

⚠ **WARNING:** Cancer and Reproductive Harm.
 ⚠ **AVERTISSEMENT:** Peut Causer le Cancer et des Dommages au Système Reproducteur.
 ⚠ **ADVERTENCIA:** Cáncer y Daño Reproductivo.
www.p65warnings.ca.gov

Item	Part No.	Description	US List	Can. List
KREEPY KRAULY REPLACEMENT PARTS				
1	370500Z	Main Body Motor Housing	369.47	443.96
2	370486Z	Drive Tube (contains 1 tube)	24.93	29.96
3	370496Z	Swivel Assembly	73.56	88.39
4	370497Z	Dive Float	83.59	100.44
5	370498Z	Weight Holder (includes dive float restrictor set)	28.25	33.95
6	370499Z	Bumper Assembly	40.12	48.21
7	370492Z	Wing Set	48.49	58.27
8	370482Z	Dive Float Restrictor Set (contains 2)	12.68	15.24
9	K12059	Foot Pad	38.63	46.42
10	370478Z	Flat Seal	130.23	156.48
11	370483Z	Pleated Seal (not shown)	130.23	156.48
12	370494Z	Hose Weight (contains 2)	20.84	25.04
13	K12004	Automatic Regulator Valve and Valve Cap Kit	98.93	118.87
14	K12079	Threaded Compression Adaptor	12.02	14.44
15	K121680	Eyeball Diverter and Outer Ring	10.78	12.95
NOT SHOWN				
	370524	40" - 20pc male/female hose set	409.56	492.13
	370533	32" - 12pc male/female hose set	207.66	249.52
	370521	40" - 12pc male/female hose set	258.78	310.95
	370536Z	4" female/female hose	CALL	CALL

KREEPY KRAULY® KRUISER™ 2012 MODEL CLEANER REPLACEMENT PARTS



CALIFORNIA PROPOSITION 65 WARNING

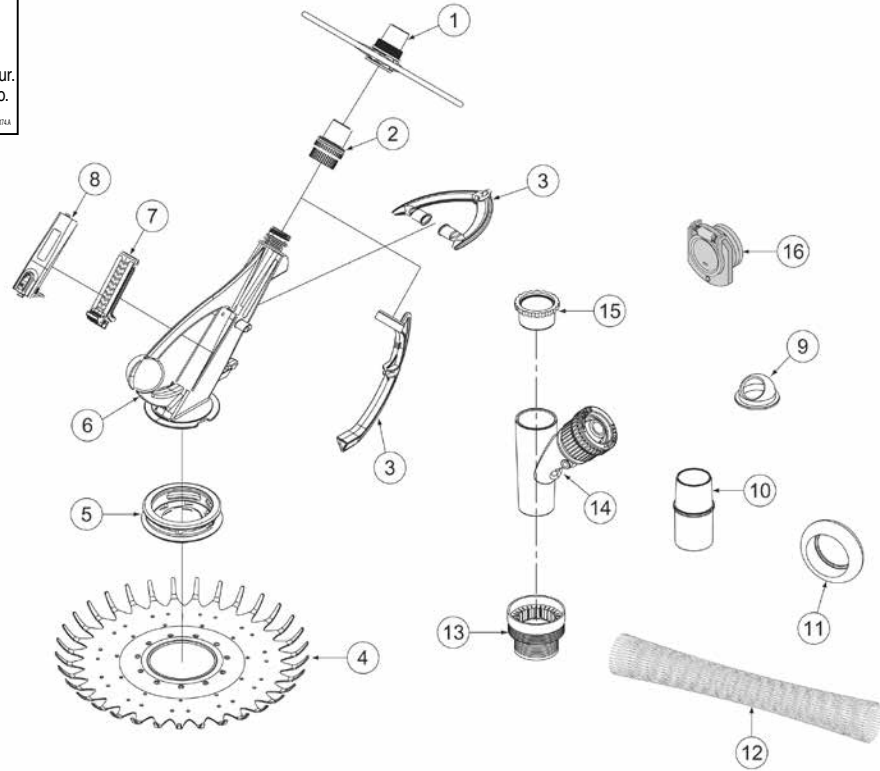
⚠ **WARNING:** Cancer and Reproductive Harm.
 ⚠ **AVERTISSEMENT:** Peut Causer le Cancer et des Dommages au Système Reproducteur.
 ⚠ **ADVERTENCIA:** Cáncer y Daño Reproductivo.
www.p65warnings.ca.gov

Item	Part No.	Description	US List	Can. List
KREEPY KRUISER PARTS				
1	K12458	Kruiser Deflector Wheel	27.63	33.20
2	K12444	Kruiser Swivel Kit	99.16	119.15
3	K12451	Kruiser Bumper Kit (Horizontal & Vertical)	56.57	67.97
4	K12442	Kruiser 18 in. Vacuum Seal Kit	75.20	90.36
5	K12450	Kruiser Foot Pad Kit	22.73	27.31
6	K12443	Kruiser Internal Kit	83.38	100.19
7	K12441	Kruiser External Housing Kit	147.87	177.68
8	K12415	Kruiser Silent Flapper Kit	36.98	44.44
9	K12412	Kruiser Lid and Lock Kit	20.07	24.12
10	41201-0236	Eyeball Diverter	0.52	0.62
11	41200-0212	Flow Gauge	31.63	38.01
12	370494Z	Hose Weight	20.84	25.04
13	K12465	Hose Protector	9.04	10.86
14	K12079	Threaded Compression Adapter	12.02	14.44
15	41200-0214	Regulator Valve (Adjustable) and Regulator Cap	98.93	118.87
17	K12500	Safety Vac-Lock Fitting	69.69	83.74
NOT SHOWN				
	K01213	Hose Kit (12 M/F Sections)	260.66	313.21

KREEPY KRAULY® KRUISER™ 2011 AND EARLIER MODELS

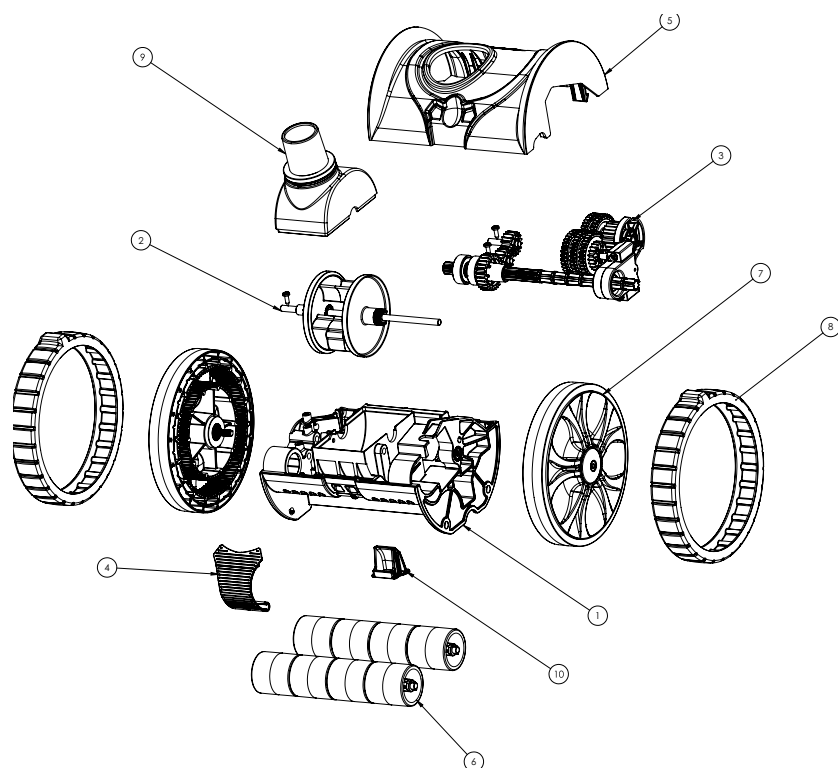
CLEANER REPLACEMENT PARTS

CALIFORNIA PROPOSITION 65 WARNING
 ⚠️ **WARNING:** Cancer and Reproductive Harm.
 ⚠️ **AVERTISSEMENT:** Peut Causer le Cancer et des Dommages au Système Reproducteur.
 ⚠️ **ADVERTENCIA:** Cáncer y Daño Reproductivo.
 www.p65warnings.ca.gov. P# 20114



Item	Part No.	Description	US List	Can. List
KREEPY KRUISER PARTS				
1	K12458	Kruiser Deflector Wheel (Optional)	27.63	33.20
2	K12414	Kruiser Swivel Kit	24.35	29.26
3	K12417	Kruiser Bumper Kit (Horizontal & Vertical)	28.23	33.92
4	K12413	Kruiser 18 in. Vacuum Seal Kit	120.67	145.00
5	K12416	Kruiser Foot Pad Kit	26.70	32.08
6	K12411	Kruiser Main Housing Assembly Kit	476.18	572.18
7	K12415	Kruiser Silent Flapper Kit	36.98	44.44
8	K12412	Kruiser Lid & Lock Kit	20.07	24.12
9	41201-0236	Eyeball Diverter	0.52	0.62
10	41200-0212	Flow Gauge	31.63	38.01
11	K12454	Hose Weight	20.24	24.32
12	K12465	Hose Protector	9.04	10.86
13/14	41200-0213	Regulator Valve; Threaded Compression Adapter Kit	62.32	74.88
14/15	41200-0214	Regulator Valve; Regulator Cap Kit	98.93	118.87
16	GW9530	Safety Vac-Lock Fitting	60.02	72.12
REGULATOR CAP				
	K01210	Hose Kit (12 M/F Sections)	CALL	CALL

PENTAIR 'LIL REBEL™ CLEANER REPLACEMENT PARTS



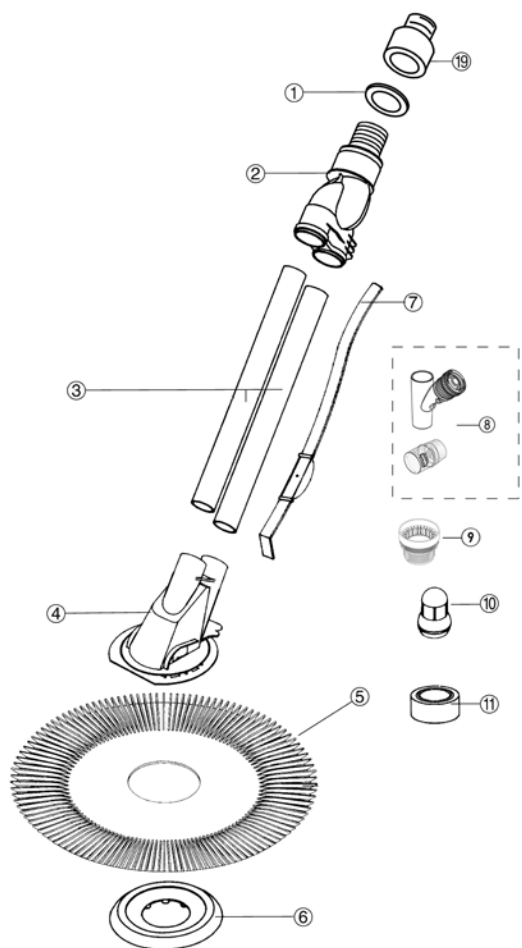
Item	Part No.	Qty.	Description	US List	Can. List
PENTAIR LIL REBEL REPLACEMENT PARTS					
1	360458	1	Bottom Cover Kit	135.64	162.99
2	360460	1	Turbine Kit	39.34	47.27
3	360462	1	Drivetrain Kit	119.65	143.77
4	360452	1	Buckle Kit	23.12	27.78
5	360451	1	Top Cover Kit	52.45	63.02
6	360463	1	Roller Kit	83.18	99.95
7	360454	1	Wheel Kit	91.17	109.55
8	360455	1	Tire Kit	49.89	59.95
9	360453	1	Swivel Kit	31.11	37.38

Item	Part No.	Qty.	Description	US List	Can. List
OPTIONAL					
10	360468	1	Inlet Insert Kit	16.37	19.67
	360465	1	Flow Gauge	12.18	14.64
	41201-0236	1	Eyeball Diverter	0.52	0.62
	K70079	1	Threaded Compression Adapter	CALL	CALL
NOT SHOWN					
	360467	1	Hose Set	126.70	152.24
	360308	1	Leader Hose	CALL	CALL
	41200-0200	1	Regulator Valve	CALL	CALL
	GW9015	1	Reducer Cone	23.35	28.06
	360466	1	Hose Float	36.24	43.55

CALIFORNIA PROPOSITION 65 WARNING

⚠ WARNING: Cancer and Reproductive Harm.
⚠ AVERTISSEMENT: Peut Causer le Cancer et des Dommages au Système Reproducteur.
⚠ ADVERTENCIA: Cáncer y Daño Reproductivo.
www.p65warnings.ca.gov

KREEPY KRAULY® E-Z VAC® CLEANER REPLACEMENT PARTS



Item	Part No.	Description	US List	Can. List
E-Z VAC REPLACEMENT PARTS				
1	K12087	Bearing Washer	6.96	8.36
2	K12653	Swivel Head Assembly	66.47	79.87
3	K12654	Drive Tube Top/Bottom (1)	16.39	19.69
4	K12650	Main Body (Excludes Flapper)	330.91	397.62
5	K12651	Aboveground Seal	135.36	162.65
6	K12059	Foot Pad	38.63	46.42
7	K12655	Bumper Strap with weight	47.25	56.78
8	41200-0214	Regulator Valve	98.93	118.87
9	K12079	Threaded Compression Adapter	12.02	14.44
10	K121680	Eyeball Diverter	10.78	12.95
11	K12657	Hose Weight	33.28	39.99
12	K121683	Eyeball Diverter Outer Ring	6.50	7.81
13	K12649	Baffle Plate (not interchangeable with Kreepy Krauly inground)	14.85	17.84
14	K121620	Wire Diverter	29.54	35.50
18	K21241B	4 in. Female/Female Blue Hose Connector	10.08	12.11
18	K21241	4 in. Female/Female Hose Connector (White)	11.75	14.12
19	K12653C	Swivel Cone and Bearing Washer	10.02	12.04

K50659 Complete Hose Assembly - Blue (After 3-16-10)
(12 Sections Male/Female)

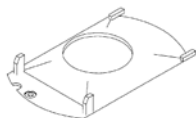
K50656 Complete Hose Assembly - Blue (Before 3-16-10)
(32 ft. total length)

- 11 Sections Male/Female Hose
- 1 Section Female/Female Hose

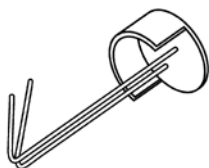
K121683
Eyeball Diverter
Outer Ring



K12649
Baffle Plate



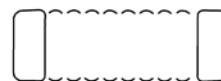
K121620
Wire Diverter



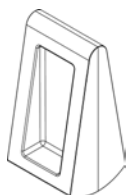
K12142B
Vacuum Line
Valve Kit



K21241B
3" Female/Female Blue
Hose Connector
K21241(White)



K70081
Flow Valve/Flapper - Teal



K12041
Cone Adapter 1-1/4"-2"
Optional



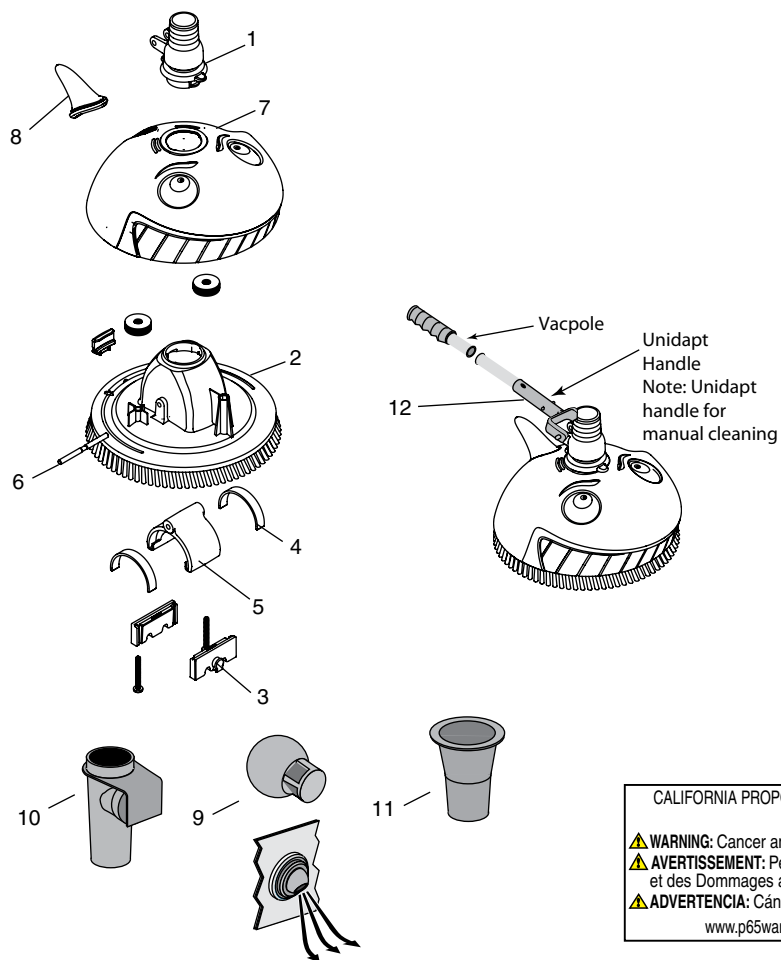
CALIFORNIA PROPOSITION 65 WARNING

⚠ **WARNING:** Cancer and Reproductive Harm.
⚠ **AVERTISSEMENT:** Peut Causer le Cancer
et des Dommages au Système Reproducteur.
⚠ **ADVERTENCIA:** Cáncer y Daño Reproductivo.

www.p65warnings.ca.gov. P1820174

KREEPY KRAULY® 'LIL SHARK™ - 2013 MODEL

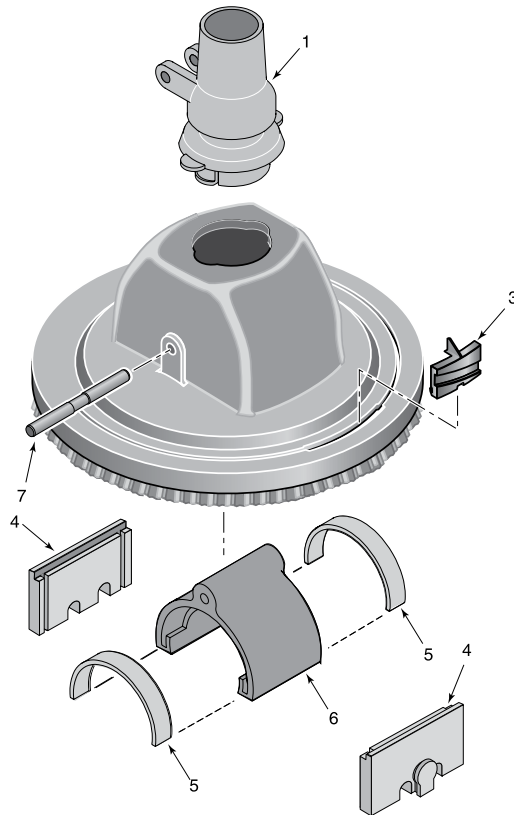
CLEANER REPLACEMENT PARTS



CALIFORNIA PROPOSITION 65 WARNING
 ⚠️ **WARNING:** Cancer and Reproductive Harm.
 ⚠️ **AVERTISSEMENT:** Peut Causer le Cancer et des Dommages au Système Reproducteur.
 ⚠️ **ADVERTENCIA:** Cáncer y Daño Reproductivo.
 www.p65warnings.ca.gov. PR32017A

Item	Part No.	Qty.	Description	US List	Can. List
LIL SHARK REPLACEMENT PARTS					
1	GW9012	1	Swivel Assembly	29.58	35.54
2	*	1	Pool Cleaner Body (with Bristles)		
3	41100-0027	1	Oscillator Impact Bumper (Pkg of 2)	13.04	15.67
4	GW9004	1	Oscillator Seals (Pkg of 2)	14.55	17.48
5	GW9003	1	Oscillator Kit (Includes Seals)	89.66	107.74
6	GW9002	1	Axle Shaft	21.13	25.39
7	371514Z	1	Cover Kit	41.81	50.24
8	371508Z	1	Fin Kit	4.45	5.35
9	GW9014	1	Flow Director	22.75	27.34
10	GW9016	1	Vacuum Regulator	65.38	78.56
11	GW9015	1	Reducer Cone	23.35	28.06
12	GW9019	1	Unidapt Handle	12.27	14.74
NOT SHOWN					
	371526Z	1	Replacement Hose Kit	144.92	174.14

KREEPY KRAULY® 'LIL SHARK™ 2012 AND EARLIER MODELS CLEANER REPLACEMENT PARTS



Item	Part No.	Qty.	Description	US List	Can. List
LIL SHARK REPLACEMENT PARTS					
1	GW9012	1	Swivel Assembly	29.58	35.54
3	41100-0026	1	Ring Adjuster	8.65	10.39
4	41100-0027	1	Oscillator Impact Bumper (Pkg of 2)	13.04	15.67
5	GW9004	1	Oscillator Seals (Pkg of 2)	14.55	17.48
6	GW9003	1	Oscillator Kit (Includes Seals)	89.66	107.74
7	GW9002	1	Axle Shaft	21.13	25.39
NOT SHOWN					
	GW9014	1	Flow Director	22.75	27.34
	GW9018	1	Vacuum Regulator	26.10	31.36
	GW9015	1	Reducer Cone	23.35	28.06
	GW9019	1	Unidapt Handle	12.27	14.74
	GW9510	1	Replacement Hose Kit (Includes 1 each 20 ft., 8 ft. and 4 ft. Hose)	224.83	270.16

Note: If body fails, order GW8000.

CALIFORNIA PROPOSITION 65 WARNING

⚠️ **WARNING:** Cancer and Reproductive Harm.
 ⚠️ **AVERTISSEMENT:** Peut Causer le Cancer et des Dommages au Système Reproducteur.
 ⚠️ **ADVERTENCIA:** Cáncer y Daño Reproductivo.

www.p65warnings.ca.gov
PK22017A

AUTOMATION PARTS

Product Catalog 2020

INTELLICENTER® CONTROL SYSTEM REPLACEMENT PARTS

Part No.	Description	US List	Can. List
CIRCUIT BOARD REPLACEMENT PARTS			
523050	i5P Replacement Outdoor Control Panel Circuit Board with Faceplate for Common Load Center/Common Power Center	1305.24	1568.38
523051	i5X Expansion Replacement Circuit Board with Faceplate for Common Load Center/Common Power Center	1595.94	1917.68
521936Z	i5PS Personality Card Circuit Board (expansion card that slide connects to the i5P main board - replacement or upgrading a system)	CALL	CALL
521977Z	i8P Personality Card Circuit Board (expansion card that slide connects to the i5P main board - replacement or upgrading a system)	CALL	CALL
521968Z	i8PS Personality Card Circuit Board (expansion card that slide connects to the i5P main board - replacement or upgrading a system)	CALL	CALL
521993Z	i10P Personality Card Circuit Board (expansion card that slide connects to the i5P main board - replacement or upgrading a system)	CALL	CALL
521873Z	i10PS Personality Card Circuit Board (expansion card that slide connects to the i5P main board - replacement or upgrading a system)	CALL	CALL
523029Z	i10D Personality Card Circuit Board (expansion card that slide connects to the i5P main board - replacement or upgrading a system)	CALL	CALL
522997Z	i10X Expanish Card Circuit Board (expansion card that slide connects to the i5X main board - replacement or upgrading a system)	2468.04	2965.60
WIRELESS REPLACEMENT PARTS			
522051	Wireless Remote (replacement remote only)	CALL	CALL
522052	Charging Cradle plus Transformer	CALL	CALL
522053Z	Wireless Wall Mounting Kit with Hardware (included in every IntelliCenter Wireless Remote Kit - allows remote to hang on a wall like an indoor control panel - no charging provided while hanging on wall, wireless remote must be placed on charging cradle periodically to charge)	CALL	CALL
520830Z	Wireless Transformer (for wireless remote charging cradle)	CALL	CALL
520244	Transceiver Enclosure with Mounting Hardware (does not contain the transceiver circuit board)	98.41	118.25
522054	Battery for Wireless Remote (with flat door)	CALL	CALL
521984Z	Wireless Transceiver Circuit Board (for use in 520244)	CALL	CALL
522056Z	Wireless Transceiver Circuit Board plus Enclosure with Mounting Hardware (includes both 520244 and 521984Z)	CALL	CALL
523355	Wireless Remote Repeater Kit (used when longer range is required for the IntelliCenter wireless remote)	CALL	CALL
MISCELLANEOUS REPLACEMENT PARTS			
522978Z	Battery for Indoor Control Panel and Outdoor Control Panel	CALL	CALL
522102Z	System Transformer	CALL	CALL
523345	Circuit Breaker Kit: 4-Amp Breaker	CALL	CALL
523346	Circuit Breaker Kit: 5-Amp Breaker	CALL	CALL
522004Z	Bezel Faceplate for Common Load Center/Common Power Center (with overlay)	CALL	CALL
522005Z	Faceplate for Load Center/Power Center, IT/ET OCP Upgrade	CALL	CALL



IntelliCenter Wireless Control Panel
P/N 522036



IntelliCenter Mobile Interface



Controller Options

INTELLITOUCH® AUTOMATION REPLACEMENT PARTS

Part No.	Description	US List	Can. List
NEW INTELLITOUCH AUTOMATION REPLACEMENT PARTS			
521227	Replacement Load Center Door	304.93	366.40
521057Z	New Load Center 150A 10 Circuit Breaker Base	304.04	365.33
521233	Load Center System Transformer, after change date	227.07	272.85
521051Z	New Load Center High Voltage Cover Panel Dead Front	152.43	183.16
521078Z	New Power Center High Voltage Cover Panel	150.09	180.35
521081Z	Door Latch	73.13	87.87
521228	New OCP Bezel, i5+3, i7, i9+3	103.09	123.87
521229	New OCP Bezel, i10+3D	125.93	151.32
521230	New OCP Bezel, i5+3S, i9+3S	111.52	134.00
521231	New OCP Bezel, i5x, i10x	125.93	151.32
521441	IntelliChlor System Transformer, after change date	319.20	383.55
520151Z	Kit Bkt Mtg LC & PC	111.60	134.10
520724	Pwr Cable For IntelliChlor SCG Systems	122.78	147.53
521218	New Load Center IntelliChlor SCG Surge Board PCBA	392.86	472.06
8520031Z	Repl. Circuit Breaker (3 Amp)	50.00	60.08
521142Z	New Load Center Resettable 12A 50V Scg Circuit Breaker	73.13	87.87
8023304	4-Pin Com Port Connector	12.00	14.42
522101	Solar Temperature Sensor (black)	CALL	CALL
RLYHTR	Heater Relay Repair Kit	170.18	204.49
520106	Relay Kit, 20 Amp	119.89	144.06
RCS1	Spa Jets Switch, Wall Mount, Single Gang Plate	210.66	253.13
CRALX	Adapter, 1 Relay Controlled By 2 Circuits	182.59	219.40

INTELLITOUCH AUTOMATION REPLACEMENT PARTS			
520287	Circuit Board, Universal Outdoor Controller (Mother Board)	1472.84	1769.76
520265	Circuit Board, i5+3 Personality	CALL	CALL
520266	Circuit Board, i7+3 Personality	CALL	CALL
520267	Circuit Board, i9+3 Personality	CALL	CALL
520296Z	Circuit Board, i5+3S Personality	554.10	665.81
520078Z	Circuit Board, i9+3S Personality	3201.87	3847.37
520077Z	Circuit Board, i10+3D Personality	3201.87	3847.37
520080Z	Circuit Board, i5X Personality	554.10	665.81
520079Z	Circuit Board, i10X Personality	2339.84	2811.55
520273	Cover Plate, IntelliTouch Indoor Control Panel, White	71.27	85.64
520276	Mounting Sheaves, IntelliTouch Indoor Control Panel	23.72	28.50
520277	Mounting Hardware, IntelliTouch Indoor Control Panel	22.41	26.93
520281	Breaker Base, IntelliTouch Load Center 4/8 Position	204.03	245.16
8520031Z	Repl. Circuit Breaker (3 Amp)	50.00	60.08
520342	Replacement System Transformer Assembly, IntelliTouch	605.62	727.71
520272	Water Temp Sensor 10k, ____ Length	84.68	101.75
520405	IntelliTouch Load Center Replacement Door	226.27	271.89

Part No.	Description	US List	Can. List
BAT3	Battery, 3-Volt Lithium	19.75	23.73
520119Z	Old LC High Voltage Cover Panel	75.22	90.38
9321004	Clamp For Water Temperature Sensor	5.67	6.81
520108	Terminal Screw 4 Wire (Green)	23.62	28.38
520343	iS10 Mounting Kit	70.19	84.34
520062	Control Panel Bezel, i5+3, i7, i9+3	110.84	133.19
520303	Control Panel Bezel, i10+3D	125.93	151.32
520304	Control Panel Bezel, i5+3S, i9+3S	119.88	144.05
520302	Control Panel Bezel, i5x, i10x	125.93	151.32
520498	Touch Panel, ACC ITC35	CALL	CALL
520499	Tablet, ACC ITC45	CALL	CALL
8023304	4-Pin Com Port Connector	12.00	14.42

WIRELESS REMOTE REPLACEMENT PARTS			
522620	ScreenLogic Wireless Transceiver (mid-2016)	CALL	CALL
520341	Wireless Remote Antenna Only, before change date/pre version ____	1069.03	1284.55
520217	Wireless Remote Antenna Only, after change date/pre version ____	71.90	86.40
520244	MobileTouch I & II Transceiver Enclosure with Mounting Hardware	98.41	118.25
520946Z	Wireless Remote Antenna and Transceiver Complete Kit, works with all versions	550.17	661.08
520830Z	MobileTouch II Transformer with Cord	CALL	CALL
520834Z	MobileTouch II Charging Cradle	193.94	233.04
520815Z	MobileTouch II Battery & Door	391.86	470.86
520191	MobileTouch I Transformer with Cord	47.94	57.60
520217	Antenna For Mobiletouch 1 Transceiver	71.90	86.40
520907	MobileTouch II Wireless Remote Replacement	CALL	CALL
520946Z	Mobiletouch II Transceiver Circuit Board With Attached Antenna	550.17	661.08
8520031Z	Repl. Circuit Breaker (3 Amp)	50.00	60.08
521245	QuickTouch II Remote Replacement	CALL	CALL
521246	QuickTouch II Receiver Replacement	CALL	CALL

INTELLITOUCH AUTOMATION LABELS			
520658	Indoor Control Panel Labels (Qty. 10)	127.03	152.64
520283	Outdoor Panel Labels (Qty. 10)	167.86	201.70
521227	New Load Center Door w/ET & IT Labels (Qty. 10)	304.93	366.40
520344	iS10 Label Set (Qty. 10)	179.86	216.12
522082	iS4 Label Set (Qty. 10) - New Style	47.96	57.63
520173	iS4 Label Set (Qty. 10) - Old Style	47.94	57.60

CALIFORNIA PROPOSITION 65 WARNING
 ⚠️ **WARNING:** Cancer and Reproductive Harm.
 ⚠️ **AVERTISSEMENT:** Peut Causer le Cancer et des Dommages au Système Reproducteur.
 ⚠️ **ADVERTENCIA:** Cáncer y Daño Reproductivo.
www.p65warnings.ca.gov PH201514

Product on pages 34–39.

EASYTOUCH® & EASYTOUCH PL4/PSL4 CONTROL SYSTEMS REPLACEMENT PARTS

Part No.	Description	US List	Can. List
NEW EASYTOUCH CONTROL SYSTEMS REPLACEMENT PARTS			
521227	Replacement Load Center Door	304.93	366.40
521057Z	Load Center 125A 8 Circuit Breaker (size), after change date	304.04	365.33
521232	Fold-down Bezel Replacement, after change date	101.58	122.06
521051Z	Load Center, High Voltage Cover Panel (size), after change date	152.43	183.16
521233	Load Center System Transformer, after change date	227.07	272.85
521218	IntelliChlor CG Board, after change date	392.86	472.06
521142Z	Fuse, CG IntelliChlor 12A-50V Resettable Circuit Breaker, after change date	73.13	87.87
521441	IntelliChlor System Transformer, after change date	319.20	383.55
520151Z*	Mounting Bracket Kit for (LC=? & PC=?), all Load Centers	111.60	134.10
521081Z*	Door Latch Assy (LC=?), all Load Centers	73.13	87.87
8520031*	Internal Circuit Breaker Assy, all Load Centers	CALL	CALL
8023304*	4-Pin Com Port Connector	12.00	14.42
520724	IntelliChlor Cell/PCBA Power Cable For Intellichlor SCG Systems	122.78	147.53
520946Z*	EasyTouch Transceiver Circuit Board with Attached Antenna	550.17	661.08
520691	Wireless Control Only, 4 Aux.	CALL	CALL
520692	Wireless Control Only, 8 Aux	CALL	CALL
520546	Wireless Control Complete w/Antenna & Transceiver	CALL	CALL
520547	Wireless Control Complete w/Antenna & Transceiver	CALL	CALL
522101*	Solar Temperature Sensor (black)	CALL	CALL
RLYHTR*	Relay, Heater Repair Kit, includes RLY Replacement Relay with board connection wire	170.18	204.49
RYALX*	Relay Kit, 20 Amp	78.76	94.64
RCS1*	Spa Jets Switch, Wall Mount, Single Gang Plate	210.66	253.13
CRALX*	Adapter, 1 Relay Controlled By 2 Circuits	182.59	219.40
EASYTOUCH CONTROL SYSTEMS REPLACEMENT PARTS			
522620	ScreenLogic Wireless Transceiver (mid-2016)	CALL	CALL
520217	Antenna, EasyTouch Transceiver Module	71.90	86.40
520595	IntelliChlor Replacement Unions (Contains 2 O-Rings, 2 Couplers, 2 Nuts)	45.04	54.12
520655	Replacement Load Center Door (size), before change date	CALL	CALL
520656	Load Center 150A 10 Circuit Breaker (size), before change date	101.58	122.06
520651	Load Center, High Voltage Cover Panel (size), before change date	152.42	183.15
520652	Indoor Control Panel Backplate with Connectors Attached	35.52	42.68
520660	Laptop Trainer	CALL	CALL
520653	Load Center System Transformer, before change date	381.13	457.97

Part No.	Description	US List	Can. List
520657	Motherboard With 8 Aux Pool/Spa Combo	CALL	CALL
520659	Motherboard With 4 Aux Pool/Spa Combo	808.10	971.01
520711	Motherboard 8 Aux (Single Body)	1214.69	1459.57
520712	Motherboard 4 Aux (Single Body)	808.10	971.01
520722	IntelliChlor System Transformer, before change date	319.19	383.54
520723	IntelliChlor CG Board, before change date	392.85	472.05
520724	IntelliChlor Cell/PCBA Power Cable For Intellichlor SCG Systems	122.78	147.53
520714Z	Fuse, CG IntelliChlor 10A Resettable Circuit Breaker, before change date	37.01	44.47
8520031Z*	Fuse, Control 3A Resettable Circuit Breaker	50.00	60.08
521245*	QuickTouch II Remote Replacement	CALL	CALL
521246*	QuickTouch II Receiver Replc.	CALL	CALL
8023304*	4-Pin Com Port Connector	12.00	14.42
LABELS			
520658*	Indoor Control (Qty. 10)	127.03	152.64
520658*	Wireless Remote (Qty. 10)	127.03	152.64
520283*	Outdoor Panel Labels (Qty.10)	167.86	201.70
521227	Replacement Load Center Door (size), before change date	304.93	366.40
520658*	Indoor Control Panel & Wireless Remote Features Label (Set Of 10)	127.03	152.64
520124	Quicktouch I Labels (Qty. 10), before change date	100.48	120.74
521408Z*	Quicktouch II Labels (Qty. 10), after change date	CALL	CALL
SCREW TERMINALS, CIRCUIT BOARD PLUG-IN TYPE, EASYTOUCH			
8023302*	Comport, 2 Position	10.02	12.04
8023304*	Comport, 4 Position	12.00	14.42
8023306*	Comport, 6 Position	20.09	24.14
8023308*	Comport, 8 Position	25.14	30.21
8023310*	Comport, 10 Position	29.45	35.39
8023312*	Comport, 12 Position	32.11	38.58
EASYTOUCH PL4/PSL4			
522523	PL4 OCP replacement PCBA	CALL	CALL
522524	PSL4 OCP replacement PCBA	CALL	CALL
522525	PL4/PSL4 OCP replacement Control Panel bezel	CALL	CALL
522526	EasyTouch PL4/PSL4 Wireless remote replacement	CALL	CALL

* Also parts for EasyTouch PL4/PLS4

CALIFORNIA PROPOSITION 65 WARNING

▲ **WARNING:** Cancer and Reproductive Harm.
▲ **AVERTISSEMENT:** Peut Causer le Cancer et des Dommages au Système Reproducteur.
▲ **ADVERTENCIA:** Cáncer y Daño Reproductivo.

www.p65warnings.ca.gov. PN201714

SUNTOUCH® AND SOLARTOUCH® CONTROL SYSTEMS REPLACEMENT PARTS

Part No.	Description	US List	Can. List
SUNTOUCH CONTROL SYSTEMS REPLACEMENT PARTS			
520940Z	SunTouch Solar Circuit Board	419.30	503.83
520645Z	SunTouch Pool/Spa Circuit Board	419.30	503.83
520941Z	SunTouch Single Body Circuit Board	419.30	503.83
520814Z	Kit Door Enclosure Small	122.83	147.59
520272	Water Temp Sensor 10k, ___ Length	84.68	101.75
520841Z	Kit SunTouch Transformer	165.17	198.47
521245	Quicktouch II Remote Replacement	CALL	CALL
522101	Solar Temperature Sensor (Black)	CALL	CALL

Part No.	Description	US List	Can. List
SUNTOUCH CONTROL SYSTEMS REPLACEMENT PARTS (CONT'D)			
521246	QuickTouch II Receiver Replacement	CALL	CALL
520942Z	Circuit Breaker	38.12	45.80
SOLARTOUCH CONTROL SYSTEMS REPLACEMENT PARTS			
521605	Power Circuit Board Assembly (Bottom Of Enclosure)	349.72	420.22
521604	Control Panel Replacement Board Assembly (Bezel And Circuit Board)	279.06	335.32
521516	SolarTouch Door Replacement	49.42	59.38
522101	Solar TempSensor, 10k, ___ Length	CALL	CALL

CALIFORNIA PROPOSITION 65 WARNING
 ⚠️ **WARNING:** Cancer and Reproductive Harm.
 ⚠️ **AVERTISSEMENT:** Peut Causer le Cancer et des Dommages au Système Reproducteur.
 ⚠️ **ADVERTENCIA:** Cáncer y Daño Reproductivo.
www.p65warnings.ca.gov PR 201114

Product on pages 46–47.

COMPOOL® CONTROL SYSTEM REPLACEMENT PARTS



Part No.	Description	US List	Can. List
CABLE CONNECTORS & ADAPTORS			
6CONDTEST	Test Cable, (6-Conductor)	13.89	16.69
520001	Adaptor 6-Conductor Flat To Multiple-Pair Cable	47.21	56.73
520008	Splice 26-22 AWG Weather-Proof (100 Qty Per Bag)	81.79	98.28
CON6	Connectors For 6-Conductor Flat Cable (4 Qty)	18.67	22.43
9987013	Crimping Tool 6 Pin RJ-11 Telephone-Type Connector	70.30	84.47
8761047	Cable, PC Board Harness, 2 Cond. Red/Black W/Plugs	13.41	16.11
SCREW TERMINALS, CIRCUIT BOARD PLUG-IN TYPE, INTELLITOUCH			
8023302	Comport, 2 Position	10.02	12.04
8023304	Comport, 4 Position	12.00	14.42
8023306	Comport, 6 Position	20.09	24.14
8023308	Comport, 8 Position	25.14	30.21
8023310	Comport, 10 Position	29.45	35.39
8023312	Comport, 12 Position	32.11	38.58
BATTERIES, CIRCUIT BREAKERS, SURGE SUPPRESSORS			
AI101	Surge Suppressor (115V)	458.60	551.05
AI201	Surge Suppressor (230V)	458.60	551.05
BAT3	Battery, 3-Volt Lithium	19.75	23.73
CB3	Circuit Breaker (3 Amp)	34.74	41.74
FREEZE PROTECTION SENSORS (NOT FOR USE WITH CP3800 FAMILY)			
FPSAUX	Auxiliary Pump Freeze Sensor	CALL	CALL
FPSC	Filter Pump Freeze Sensor	CALL	CALL
EQUIPMENT IDENTIFICATION LABELS			
LBL100	Label Set For CP100 Indoor Control Panel	CALL	CALL
520124	Label Set For QuickTouch Wireless Remote	100.48	120.74
520173	Label Set For is4 Spa-Side Remote	47.94	57.60
LBL3800	Label Set For Indoor Control Panel CP3800 Family	46.77	56.20

Product on page 45.

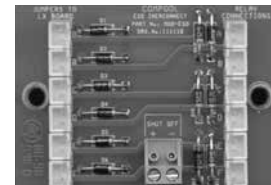
COMPOOL® CONTROL SYSTEM REPLACEMENT PARTS (CONT'D)

Part No.	Description	US List	Can. List
POWER CENTER HARDWARE (BLACK PLASTIC ENCLOSURE)			
LXLATCH	Latch, For Door	70.19	84.34
LXLID2	Lid, Latching Enclosure	123.87	148.84
LXPIN	Hinge Pins For Interior Faceplate, Set Of 2	23.70	28.48
ENCLLX	Enclosure For Power Center	322.23	387.19
FKNOBG	Thermostat Knob	24.81	29.81
520006	Dead Panel, High Voltage	107.64	129.34
9541143	Enclosure - CP3** Cover/Base/Doors	28.69	34.47
POWER CENTER (BLACK PLASTIC ENCLOSURE)			
LX820	Emergency Shut-Off Controller/Power Center	CALL	CALL
LOAD CENTER HARDWARE (ALMOND STEEL ENCLOSURE)			
520005	Latch For Cover Enclosure—For Load Center	33.48	40.23
520006	Dead Panel, High Voltage	107.64	129.34
CIRCUIT BOARDS FOR INDOOR CONTROL PANELS			
PCCP100	Circuit Board For CP100 #11057	CALL	CALL
CIRCUIT BOARDS FOR POWER CENTERS AND RF RECEIVERS			
MODESO	Module For ESO-2 Emergency Shut-Off Switch #11111	355.34	426.98
PCLX80	Circuit Board For LX80 #10688	693.94	833.84
PCLX820	Circuit Board For LX820 #10853	396.55	476.49
RELAYS AND RELAY ACCESSORIES			
RLYHTR	Heater Relay Repair Kit	170.18	204.49
RLYLX	Relay Kit, 20 Amp	151.07	181.53
RLYLX3HP	Additional 25 Amp, 3 HP Power Relay (For Auxiliary Equipment)	191.86	230.54
RLYLDX	Relay Kit For 2-Speed Pump	236.03	283.61
RLYNC	Relay Kit 20 Amp (DPDT) For Special Applications Only	151.07	181.53
RLYSC	Relay Kit For LX220 & LX820, 20 Amp	136.90	164.50
RLYSC3HP	25 Amp, 3 HP Power Relay For LX220 And LX820 Systems	179.86	216.12
RYALX	Adapter, 2 Relays Controlled By 1 Circuit	78.76	94.64
CRALX	Adapter, 1 Relay Controlled By 2 Circuits	182.59	219.40
520403	Dual Heater Relay Kit	222.43	267.27
OUTDOOR REMOTES FOR CP3800 FAMILY OR SYSTEMS (FULL FUNCTION)			
520345	is10 for CP3800 Family Includes 6Cond Adapter1	CALL	CALL
SWITCHES			
6010102	On/Off Switch for CP30 Remote Panel, 2 Position	50.37	60.52
6010103	On/Off/On Switch For CP30 Remote Panel, 3 Position	50.37	60.52
ESO2	Shut-Off Switch with Alarm, Double Gang Plate	396.55	476.49
RCS1	Spa Jets Switch, Wall Mount, Single Gang Plate	210.66	253.13

CALIFORNIA PROPOSITION 65 WARNING
 ⚠️ **WARNING:** Cancer and Reproductive Harm.
 ⚠️ **AVERTISSEMENT:** Peut Causer le Cancer et des Dommages au Système Reproducteur.
 ⚠️ **ADVERTENCIA:** Cáncer y Daño Reproductivo.
www.p65warnings.ca.gov PR30371A



PCLX80



MODESO



RLYLXD



RLYLX



ESO2



RLYHTR

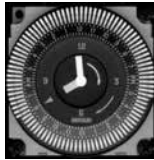


RLYSC

COMPOOL® CONTROL SYSTEM REPLACEMENT PARTS



6870002



TMRLX



XFM1BK



XFM3BK



XFM20

CALIFORNIA PROPOSITION 65 WARNING
 ⚠️ WARNING: Cancer and Reproductive Harm.
 ⚠️ AVERTISSEMENT: Peut Causer le Cancer
 et des Dommages au Système Reproducteur.
 ⚠️ ADVERTENCIA: Cáncer y Daño Reproductivo.
www.p65warnings.ca.gov PR 2017-14

Part No.	Description	US List	Can. List
SPA-SIDE AND WIRELESS REMOTES			
520173	Label Set, Pack Of 10 For is4 Spa-Side Remote	47.94	57.60
520124	Label Set, Pack Of 10 For QuickTouch Wireless	100.48	120.74
TELEPHONE REMOTE CONTROL (FOR CP3800 FAMILY)			
6870002	Module For Telephone Remote Control	940.31	1129.88
TIMERS			
TMRLX	Timer, 24 Hour Mechanical	165.18	198.48
TEMPERATURE SENSORS			
TS5L	Temp Sensor Linear (Red & Green Wires) Compool	98.62	118.50
520272	Water Temp Sensor 10k, ___ Length	84.68	101.75
9142109	O-Ring, 5/16 In. for Temperature Sensor	4.74	5.70
9321004	Clamp for Water Temperature Sensor	5.67	6.81
VALVE ACTUATORS AND PARTS			
263045	CVA-24T Valve Actuator, 24 Volt AC, 180 Degree Rotation	CALL	CALL
263044	CVA-24Y Valve Actuator, 24 Volt AC, 120 Degree Rotation	CALL	CALL
263043	CVA-24L Valve Actuator, 24 Volt AC, 90 Degree Rotation	CALL	CALL
270078	Circuit Board w/Selector Switch	100.42	120.66
270077	Gear Set for CVA-24; Set Of 3	59.48	71.47
4231033	Motor For CVA-24	237.91	285.87
CVASCR	Mounting Screws (4) For CVA-24 To Compool Valve	19.75	23.73
CVASCRJ	Mounting Screws (4) For CVA-24 To Pacfab Valve	19.75	23.73
520010Z	Micro-Switch Set (2) With Levers & Screws For CVA-24	91.01	109.36
SK5V	Shaft Coupling CVA-24 To Ortega Valve	52.56	63.16
OVA2	Adapter Kit, CVA-24T To Ortega Valve, 2 In.	114.79	137.93
TRANSFORMERS			
XFM1BK	Transformer Assembly For LX20, LX30, LX36 & LX80	283.30	340.41
XFM3BK	Transformer Assembly For CP3800 Family	283.30	340.41
XFM20	Transformer Assembly For LX120, LX220, LX420 & LX820	148.71	178.69

SPACOMMAND® SPA-SIDE REMOTE REPLACEMENT PARTS



21500

521501

521502

Part No.	Description	US List	Can. List
SPACOMMAND SPA-SIDE REMOTE			
521500	SpaCommand Replacement Plastics Kit	73.13	87.87
521501	SpaCommand Replacement 150 Ft. Cable	150.09	180.35
521502	SpaCommand Replacement 250 Ft. Cable	227.07	272.85
521852	SpaCommand Replacement Control Only (White)	1042.70	1252.91
521853	SpaCommand Replacement Control Only (Black)	1042.70	1252.91
SPACOMMAND LABELS			
521503	SpaCommand Labels White (Qty. 1)	111.60	134.10
521504	SpaCommand Labels Black (Qty. 1)	111.60	134.10
522500	SpaCommand Labels White (Qty. 5)	CALL	CALL
522501	SpaCommand Labels Black (Qty. 5)	CALL	CALL

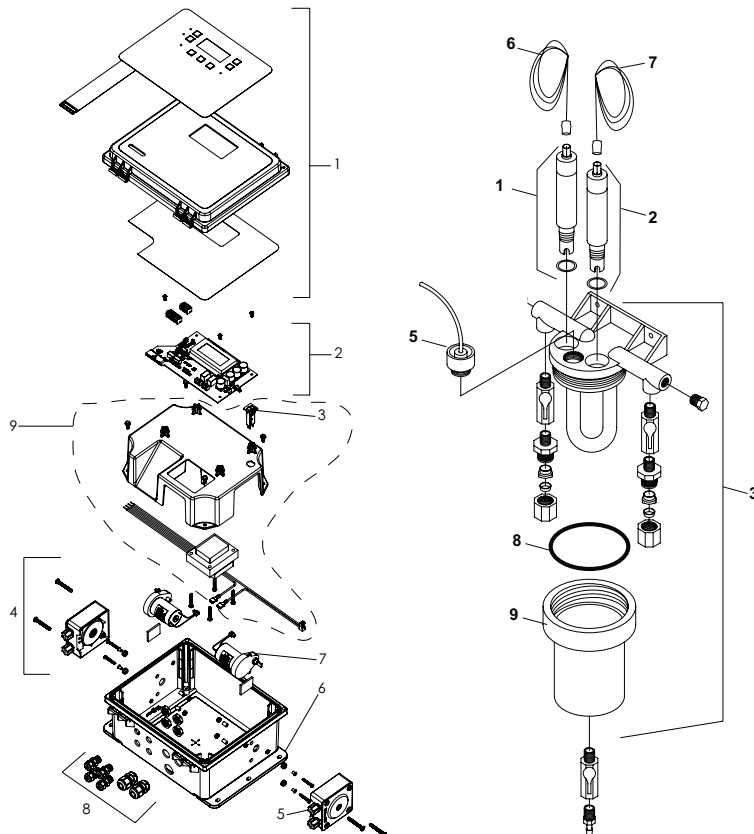
Product on page 38.

INTELLICHEM® CHEMICAL CONTROLLER REPLACEMENT PARTS

Item	Part No.	Description	US List	Can. List
INTELLICHEM CONTROLLER REPLACEMENT PARTS				
1	521465Z	Top Half (Lid with overlay and wiring diagram)	354.42	425.87
2	521319Z	Controller PCBA	765.87	920.27
3	8520031Z	Circuit Breaker	50.00	60.08
4	521348Z	SHURflo Pumphead (prior to 2012)	76.93	92.44
5	521466Z	Jaco® Fitting for SHURflo Pumphead	42.94	51.60
6	521467Z	Controller Mounting Brackets	53.65	64.47
7	521338Z	Motor for SHURflo Pumphead (prior to 2012)	227.07	272.85
8	521468Z	Strain Relief Kit	84.67	101.74
9	521335Z	Transformer with Mounting Plate	247.03	296.83
INTELLICHEM FLOW CELL REPLACEMENT PARTS				
1	522186	pH Sensor (1-year warranty)	163.83	196.86
2	522187	ORP Sensor (1-year warranty)	230.72	277.23
3	754000310	Flow Cell with Flow Switch	CALL	CALL
	521342Z	Parts Bag	304.04	365.33
5	754000440	Flow Switch with Magnet	CALL	CALL
	754000410	Magnet for Flow Switch	CALL	CALL
6	744000290	Cable for pH Sensor, 3 ft.	CALL	CALL
7	744000360	Cable for ORP Sensor 3 ft.	CALL	CALL
8	754000350	O-Ring for Flow Jar	CALL	CALL
9	754000340	Jar for Flow Cell	CALL	CALL

Item	Part No.	Description	US List	Can. List
OPTIONAL ACCESSORIES				
	521814	3/8" Black Tubing, 20 Ft.	CALL	CALL
	744000280	Cable, pH Sensor, 10 Ft.	CALL	CALL
	744000350	Cable, ORP Sensor, 10 Ft.	CALL	CALL
	755000350	3/8" Black Tubing 100 ft.	CALL	CALL
	522010Z	Inline Filter	24.91	29.93
	606000100Z	Fitting 3/8" Tube x 1/4" NPT	5.09	6.12
	620000040Z	Plug 1/4" NPT	2.21	2.66
	620000130Z	Nipple 1/4" NPT	2.21	2.66
	622000080Z	Ball Valve 1/4" NPT	28.77	34.57
	R172032Z	Fitting 3/8" Tube to Bypass Clamp	CALL	CALL
	R172033Z	Rubber Gasket for Bypass Clamp	CALL	CALL
	R172036Z	O-Ring Lubricant	CALL	CALL
	522347Z	Bypass Clamp (replaces R172034)	32.71	39.30

*Pentair recommends replacing peristaltic pump tubes every 6 months

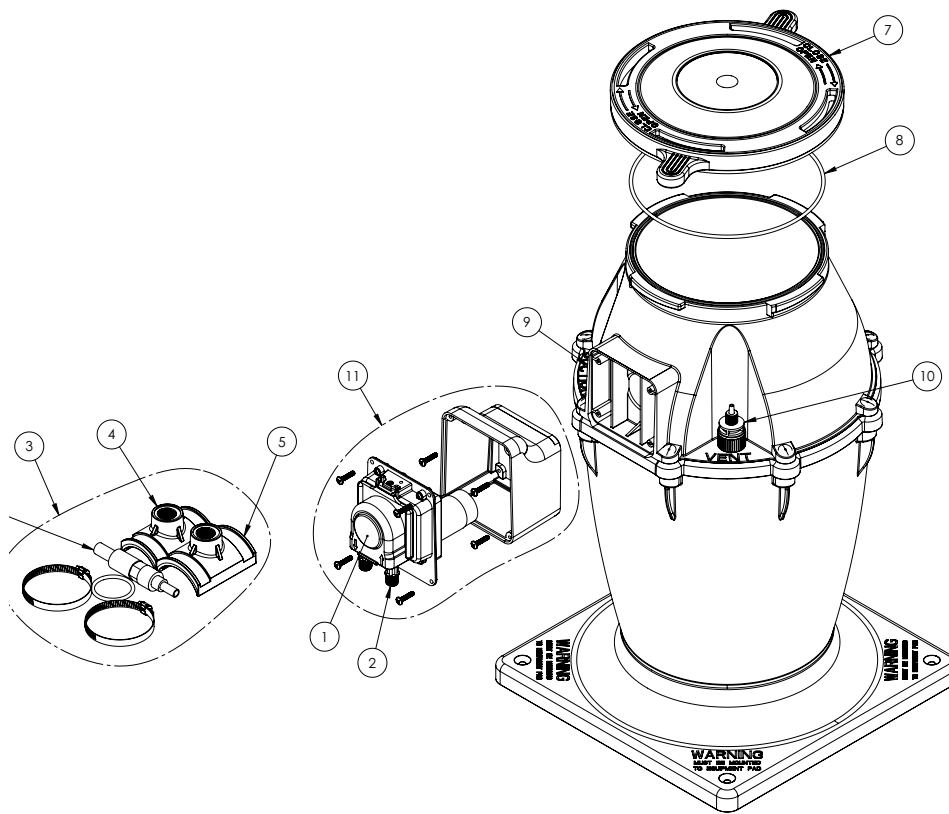


CALIFORNIA PROPOSITION 65 WARNING

⚠️ **WARNING:** Cancer and Reproductive Harm.
 ⚠️ **AVERTISSEMENT:** Peut Causer le Cancer et des Dommages au Système Reproducteur.
 ⚠️ **ADVERTENCIA:** Cáncer y Daño Reproductivo.

www.p65warnings.ca.gov
PH00174A

INTELLICHEM® CHEMICAL TANK REPLACEMENT PARTS

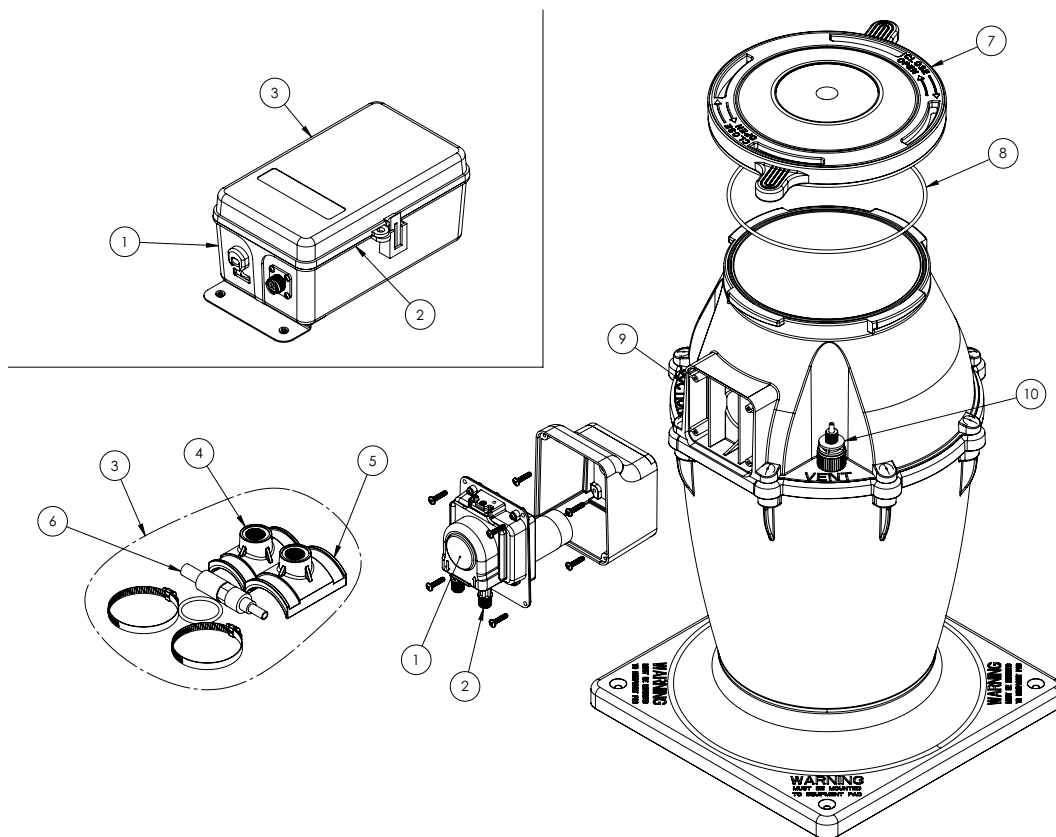


Item	Part No.	Description	US List	Can. List
INTELLICHEM REPLACEMENT CHEMICAL CONTAINER				
	522472	Acid Tank with Tank Mounted Pump for IntelliChem	CALL	CALL
	522473	Chlorine Tank with Tank Mounted Pump for IntelliChem	CALL	CALL
	521378	Acid Container for IntelliChem (Requires Separate Pump)	CALL	CALL
	521397	Chlorine Container for IntelliChem (Requires Seperate Pump)	CALL	CALL
INTELLICHEM CHEMICAL CONTAINER REPLACEMENT PARTS				
	522384	1/4" Black Tubing for Chemical Injection with Labels, 20 Ft.	CALL	CALL
	522446	1/4" Black Tubing for Chemical Injection with Labels, 100 Ft.	CALL	CALL
1	522386	Repair Kit for Tank Mounted Pump	127.68	153.42
2	522480	Pump Tubes for Tank Mounted Pump, 2 Pk.	62.21	74.75

Item	Part No.	Description	US List	Can. List
INTELLICHEM CHEMICAL CONTAINER REPLACEMENT PARTS CONT'D.				
3	521895	Kit IPH RPLC ACC Bag (Includes ball, spring, saddle clamp parts)	CALL	CALL
4	521511	Saddle Clamp for 1- 1/2" Pipe (Requires Check Valve)	45.90	55.15
5	521512	Saddle clamp for 2" Pipe (Requires Check Valve)	52.95	63.62
6	522513Z	Injection Check Valve	35.98	43.23
7	521505	Lid for Acid Container	74.16	89.11
7	521506	Lid for Chlorine Container	74.16	89.11
8	521507	O-Ring for Container Lid, 5-Pk.	88.29	106.09
9	521508	Suction Fitting, Black	35.29	42.40
10	521509	Vent Fitting, Grey	38.82	46.65
11	522478Z	Upgrade Kit for IntelliChem Container w/o Pump	60.76	73.01
	522474	Upgrade Kit for IntelliChem Controller	CALL	CALL

CALIFORNIA PROPOSITION 65 WARNING
 ⚠️ **WARNING:** Cancer and Reproductive Harm.
 ⚠️ **AVERTISSEMENT:** Peut Causer le Cancer et des Dommages au Système Reproducteur.
 ⚠️ **ADVERTENCIA:** Cáncer y Daño Reproductivo.
www.p65warnings.ca.gov P# 201714

INTELLIPH® CONTROLLER REPLACEMENT PARTS



Item	Part No.	Description	US List	Can. List
INTELLIPH CONTROLLER REPLACEMENT PARTS				
1	522711	IntellipH Controller Unit	434.82	522.48
2	521513	Faceplate and PCBA	455.68	547.55
3	521516	Door for Controller	49.42	59.38
REPLACEMENT CHEMICAL CONTAINER				
	522712	IntellipH Container	685.08	823.19
CHEMICAL CONTAINER REPLACEMENT PARTS				
	522384	1/4" Black Tubing for Chemical Injection with Labels, 20 Ft.	CALL	CALL
	522446	1/4" Black Tubing for Chemical Injection with Labels, 100 Ft.	CALL	CALL
1	522386	Repair Kit for Tank Mounted Pump	127.68	153.42
2	522480	Pump Tubes for Tank Mounted Pump, 2 Pk.	62.21	74.75

Item	Part No.	Description	US List	Can. List
CHEMICAL CONTAINER REPLACEMENT PARTS CONT'D.				
3	521895	Kit IPH RPLC ACC Bag (Includes ball, spring, saddle clamp parts)	CALL	CALL
4	521511	Saddle Clamp for 1- 1/2" Pipe (Requires Check Valve)	45.90	55.15
5	521512	Saddle clamp for 2" Pipe (Requires Check Valve)	52.95	63.62
6	522513Z	Injection Check Valve	35.98	43.23
7	521505	Lid for Acid Container	74.16	89.11
8	521507	O-Ring for Container Lid, 5-Pk.	88.29	106.09
9	521508	Suction Fitting, Black	35.29	42.40
10	521509	Vent Fitting, Grey	38.82	46.65
	521514	SHURflo Pumphead for IntellipH (prior to 2014)	70.63	84.87
	521515	Motor for IntellipH with SHURflo Pumphead	279.06	335.32

CALIFORNIA PROPOSITION 65 WARNING

⚠ **WARNING:** Cancer and Reproductive Harm.
 ⚠ **AVERTISSEMENT:** Peut Causer le Cancer et des Dommages au Système Reproducteur.
 ⚠ **ADVERTENCIA:** Cáncer y Daño Reproductivo.

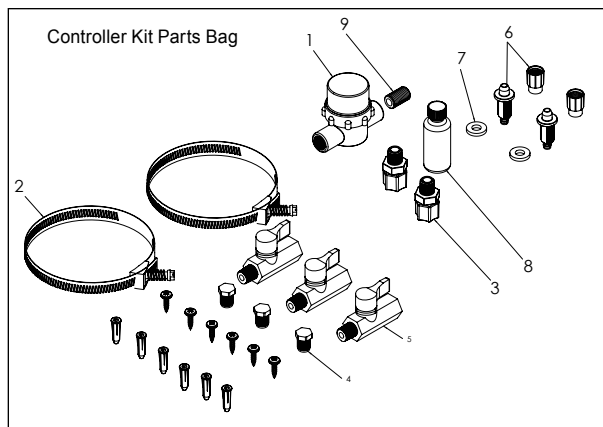
www.p65warnings.ca.gov
PH 001744

COMMERCIAL INTELLICHEM® CHEMICAL CONTROLLER REPLACEMENT PARTS

Item	Part No.	Description	US List	Can. List
INTELLICHEM CONTROLLER REPLACEMENT PARTS				
1	523146	Top Half (Lid w/overlay and wiring diagram)	364.96	438.54
2	523004Z	Controller Circuit Board	763.65	917.60
3	8520031Z	Circuit Breaker	50.00	60.08
	523228	Protocol Adapter	CALL	CALL
	523117	Transceiver Case	67.44	81.04
4	521467Z	Enclosure Mounting Brackets	53.65	64.47
5	521468Z	Strain Relief Kit	84.67	101.74
6	521335Z	Transformer with Mounting Plate	247.03	296.83

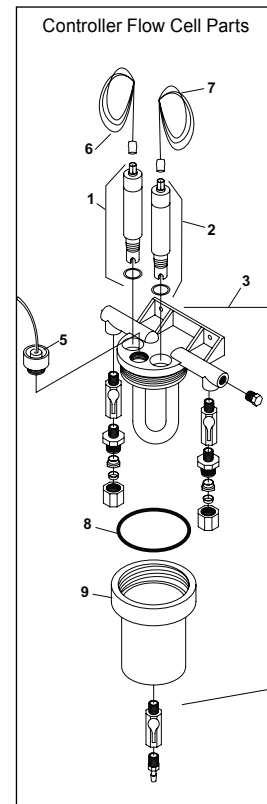
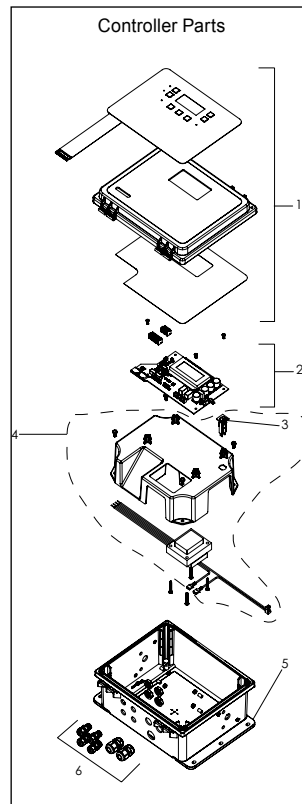
INTELLICHEM FLOW CELL REPLACEMENT PARTS				
1	522186	pH Sensor (1-year warranty)	163.83	196.86
2	522187	ORP Sensor (1-year warranty)	230.72	277.23
3	754000310	Flow Cell with Flow Switch	CALL	CALL
4	521342Z	Parts Bag	304.04	365.33
5	754000440	Flow Switch with Magnet	CALL	CALL
	754000410	Magnet for Flow Switch	CALL	CALL
6	744000290	Cable for pH Sensor, 3 ft.	CALL	CALL
7	744000360	Cable for ORP Sensor 3 ft.	CALL	CALL
8	754000350	O-Ring for Flow Jar	CALL	CALL
9	754000340	Jar for Flow Cell	CALL	CALL

CONTROLLER KIT PARTS BAG CONTENTS				
1	522010Z	Inline Filter	24.91	29.93
2	522347Z	Bypass Clamp (replaces R172034)	32.71	39.30
3	606000100Z	Fitting 3/8" Tube x 1/4" NPT	CALL	CALL
4	620000040Z	Plug 1/4" NPT	CALL	CALL
5	622000080Z	Ball Valve 1/4" NPT	CALL	CALL
6	R172032Z	Fitting 3/8" Tube to Bypass Clamp	6.47	7.77
7	R172033Z	Rubber Gasket for Bypass Clamp	2.43	2.92
8	R172036Z	O-Ring Lubricant	10.70	12.86
9	620000130Z	Nipple 1/4" NPT	2.21	2.66



Item	Part No.	Description	US List	Can. List
OPTIONAL ACCESSORIES				
751000610		Stenner 10 GPD External Pump	CALL	CALL
522650		Stenner 10 Pump Tube - 2 Pack	60.76	73.01
522651		Stenner 10 Pump Tube - 5 Pack	134.30	161.37
522384		20 ft - 1/4 in Black Tubing for Chemical Injection with Labels	CALL	CALL
522446		100 ft - 1/4 in Black Tubing for Chemical Injection with Labels	CALL	CALL
714000070		CO2 Kit with Diffuser, Solenoid, Regulator	1193.40	1433.99
521622		IntelliChem Winterizing Kit	CALL	CALL
522895		Injection Kit (Injection Check Valve)	CALL	CALL
521511		Saddle Clamp for 1-1/2-in Pipe (Required Check Valve)	45.90	55.15
521512		Saddle Clamp for 2-in Pipe (Required Check Valve)	52.95	63.62

*Pentair recommends replacing peristaltic pump tubes every 6 months



CALIFORNIA PROPOSITION 65 WARNING

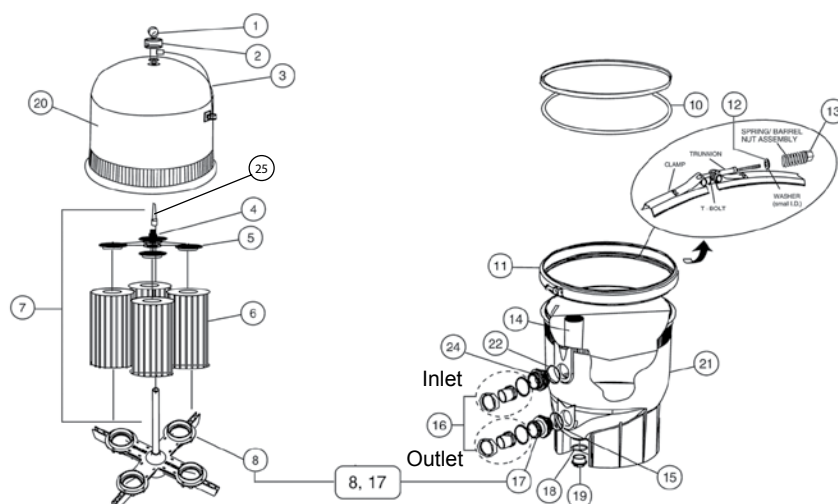
⚠ **WARNING:** Cancer and Reproductive Harm.
 ⚠ **AVERTISSEMENT:** Peut Causer le Cancer et des Dommages au Système Reproducteur.
 ⚠ **ADVERTENCIA:** Cáncer y Daño Reproductivo.
www.p65warnings.ca.gov PA 2017-14

FILTER PARTS

Product Catalog 2020

CLEAN & CLEAR® PLUS FILTERS

REPLACEMENT PARTS FOR FIBERGLASS REINFORCED POLYPROPYLENE TANK



Item	Part No.	Description	US List	Can. List
CLEAN & CLEAR PLUS FILTERS				
1	190058Z	Gauge, pressure, 1/4 in.	47.34	56.88
2	98209800	High Flow manual air relief valve, HFMARV	37.80	45.42
4	178616	Spring, compression ²	7.11	8.54
5	170026	Manifold, top assembly, 240 sq. ft. ²	87.34	104.95
5	170027	Manifold, top assembly, 320, 420 & 520 sq. ft. ²	82.43	99.05
6	R173572	Cartridge element, 240 sq. ft., 4 req.	112.16	134.77
6	R173573	Cartridge element, 320 sq. ft., 4 req.	143.43	172.35
6	R173576	Cartridge, 420 sq. ft., 4 req. ²	175.98	211.46
6	R173578	Cartridge, 520 sq. ft., 4 req. ²	201.68	242.34
7	170030	Air bleed tube assembly, 240 sq. ft.	49.96	60.03
7	55028500	Air bleed tube assembly, 360, 420 sq. ft. ¹	CALL	CALL
7	170029	Air bleed tube assembly, 320 sq. ft. ²	50.67	60.89
7	170028	Air bleed tube assembly, 420 sq. ft. ²	51.51	61.89
7	55028400	Air bleed tube assembly, 500 sq. ft. ¹	CALL	CALL
7	178583	Air bleed tube assembly, 520 sq. ft. ²	49.96	60.03
8	170035	Manifold, bottom/pipe assembly, outlet ³	235.58	283.07
8	170040	Manifold, bottom ⁴	65.63	78.86
10	39010200Z	O-ring, clamp	61.55	73.96
11	190003	Clamp kit, tension control	351.81	422.73
12	53006300Z	Washer, .325 i.d. for filter clamp	4.88	5.86
12	195610	Washer, sm. i.d.	7.45	8.95
13	53108900Z	Spring/barrel nut assembly	52.56	63.16
14	190039	Baffle, bulkhead assembly ²	107.50	129.17
15	86006900	O-ring, bulkhead, lower	6.87	8.25
16	98960311	Bulkhead union, set ¹	70.49	84.70
16	271096	Bulkhead adapter kit, 2 in. O.D. white	67.24	80.80
16	270004	Bulkhead adapter kit, 2 in. O.D. black	71.05	85.37

Item	Part No.	Description	US List	Can. List
16	270100	Bulkhead union kit, 2 in. I.D. Black	73.66	88.51
16	274426	Bulkhead adapter kit, 2-1/2 in. x 2 in. I.D. White	CALL	CALL
17	170035	Pipe assembly, outlet/manifold, bottom (includes bulkhead 178575 and O-rings 86006900 & 3544571) ²	235.58	283.07
18	86300500	Drain cap gasket ¹	5.64	6.78
18	51005000	O-ring for drain plug ²	7.63	9.17
18	191474	O-ring for drain plug ⁸	0.97	1.17
19	51516200	Drain cap ¹	27.10	32.56
19	86202000	Plug, 1-1/2 in. drain with O-ring ²	20.99	25.22
19	190030Z	Cap plug ⁸	32.88	39.51
20	170023	Tank, lid assembly, 240 sq. ft.	263.12	316.16
20	170024	Tank, lid assembly, 320 sq. ft.	320.42	385.02
20	178581	Tank, lid assembly, 420 sq. ft. ²	366.20	440.03
20	178550	Tank, lid assembly, 500 sq. ft. ¹	CALL	CALL
20	178582	Tank, lid assembly, 520 sq. ft. ²	431.40	518.37
21	178578	Tank, bottom assembly ²	595.91	716.05
22	192320	O-ring, bulkhead, upper ²	4.18	5.02
22	86006900	O-ring, bulkhead, upper & lower ^{1,7}	6.87	8.25
23	195339	SS back-up ring ⁵	80.02	96.15
24	194801	Bulkhead, 2-3/8, 8 buttress thread ²	112.54	135.23
25	190106Z	Air Screen	29.47	35.41
NOT SHOWN				
	192019	Drain plug wrench	54.80	65.85
	178708	Parts Bag - includes warranty card, instructions, and items 1, 2, and 16.	107.39	129.04

¹ Used on filters manufactured before 11/98.

² Used on filters manufactured after 11/98.

³ Used on filters manufactured between 11/98 thru 12/00.

⁴ Used on filters manufactured after 12/00.

⁵ Used on filters manufactured after 3/03.

⁶ Used on filters manufactured between 3/03, thru 7/1/03.

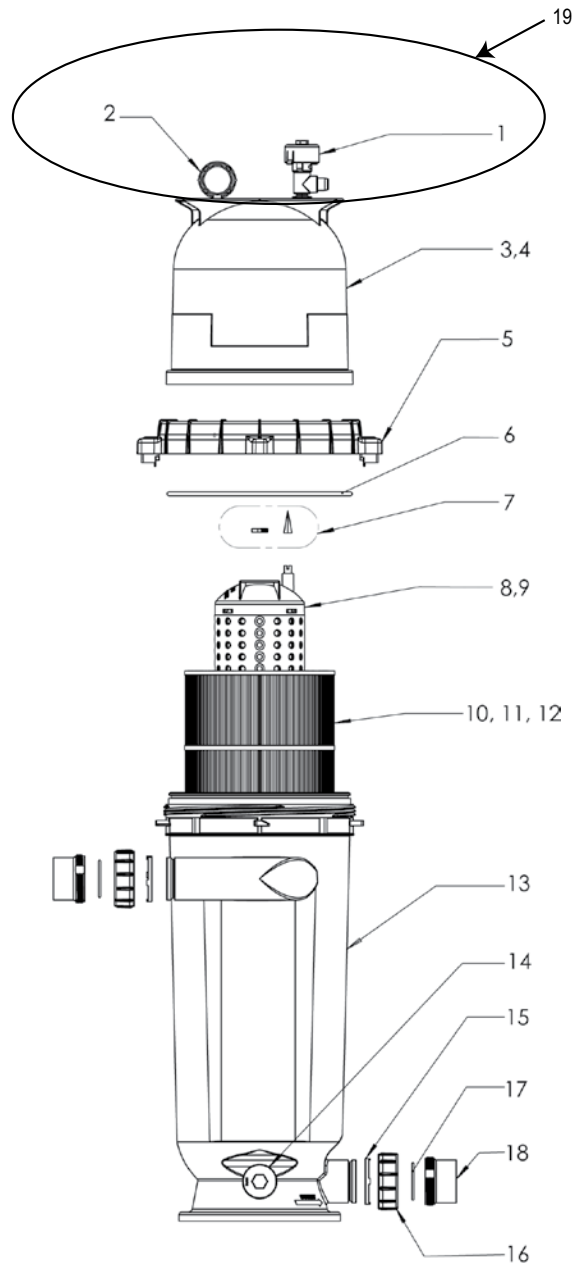
⁷ Used on filters manufactured after 10/04.

⁸ Used on filters manufactured after 5/21/05.

CLEAN & CLEAR® RP FILTERS

REPLACEMENT PARTS FOR FIBERGLASS REINFORCED POLYPROPYLENE TANK

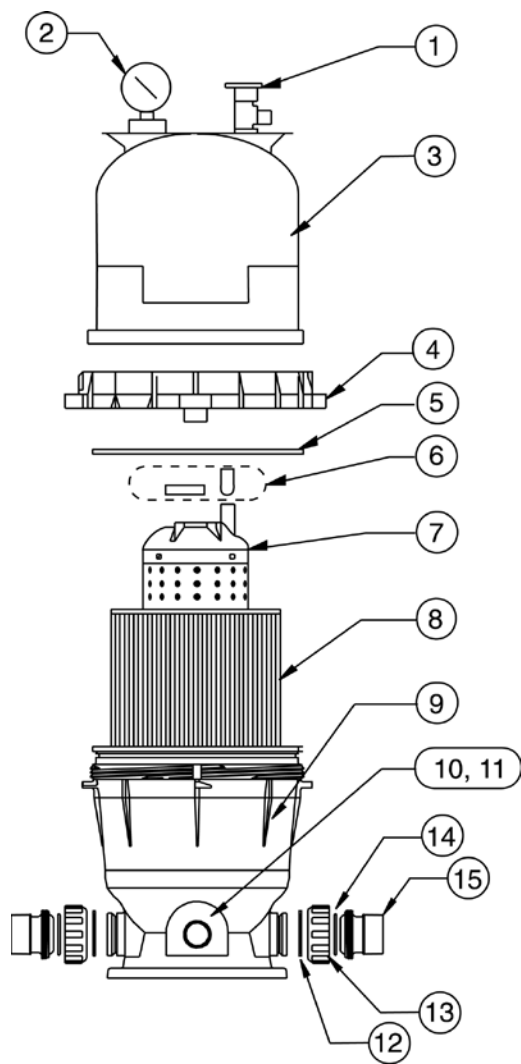
Item	Part No.	Description	US List	Can. List
CLEAN & CLEAR RP FILTERS				
1	98209800	High flow manual air relief valve	37.80	45.42
2	190058Z	Pressure gauge	47.34	56.88
3	178548Z	Lid, 100 sq. ft. filter	164.47	197.63
4	178546Z	Lid, 150, 200 sq. ft. filter	164.47	197.63
5	59052900	Locking ring assembly	108.25	130.07
6	87300400Z	Body O-ring	10.66	12.81
7	59016200	Air bleed sock kit	14.49	17.41
8	59053700	Center core, 100 sq. ft. filter	150.76	181.15
9	59053800	Center core, 150, 200 sq. ft. filter	231.06	277.64
10	R173215	Cartridge element, 100 sq. ft. filter	159.53	191.69
11	R173216	Cartridge element, 150 sq. ft. filter	210.18	252.55
12	R173217	Cartridge element, 200 sq. ft. filter	262.33	315.22
13	178731Z	Tank bottom	382.29	459.36
14	154712Z	Drain cap assembly	38.36	46.09
14	191474	O-ring	0.97	1.17
14	190030Z	Drain Cap Plug	32.88	39.51
15	178732Z	Union nut "C" clip	8.47	10.18
16	U11-200PSZ	Union nut	11.98	14.40
17	178746Z	Union diamond seal	4.58	5.50
18	178733Z	Union, threaded half	48.56	58.35
19	170096	Air relief kit	100.31	120.53
NOT SHOWN				
	154715	Drain cap gasket	6.25	7.51



CALIFORNIA PROPOSITION 65 WARNING
 ⚠️ **WARNING:** Cancer and Reproductive Harm.
 ⚠️ **AVERTISSEMENT:** Peut Causer le Cancer et des Dommages au Système Reproducteur.
 ⚠️ **ADVERTENCIA:** Cáncer y Daño Reproductivo.
www.p65warnings.ca.gov PN 200754

CLEAN & CLEAR® / PREDATOR™ FILTERS

REPLACEMENT PARTS FOR FIBERGLASS REINFORCED POLYPROPYLENE TANK



Item	Part No.	Description	US List	Can. List
CLEAN & CLEAR / PREDATOR FILTERS				
1	98209800	High Flow manual air relief valve	37.80	45.42
2	190058Z	Gauge, pressure	47.34	56.88
3	178553	Lid, 50, 100 sq. ft., almond	176.41	211.97
3	178561	Lid, 75, 150, 200 sq. ft., almond	164.47	197.63
4	59052900	Locking ring assembly	108.25	130.07
5	87300400Z	Body O-ring	10.66	12.81
6	59016200	Air bleed sock kit	14.49	17.41
7	59053500	Center core 50 sq. ft.	128.31	154.18
7	59053600	Center core 75 sq. ft.	129.33	155.40
7	59053700	Center core 100 sq. ft.	150.76	181.15
7	59053800	Center core 150, 200 sq. ft.	231.06	277.64
8	R173213	Cartridge element 50 sq. ft.	100.37	120.60
8	R173214	Cartridge element 75 sq. ft.	130.06	156.28
8	R173215	Cartridge element 100 sq. ft.	159.53	191.69
8	R173216	Cartridge element 150 sq. ft.	210.18	252.55
8	R173217	Cartridge element 200 sq. ft.	262.33	315.22
9	178562	Bottom 50 sq. ft., almond	311.38	374.15
9	178554	Bottom 75 sq. ft., almond	309.46	371.85
9	178563	Bottom 100 sq. ft., almond	396.82	476.82
9	178560	Bottom 150, 200 sq. ft., almond	387.42	465.52
10	51516200	Drain cap ¹	27.10	32.56
10	86202000	Plug, 1-1/2 in. drain, w/ O-ring ²	20.99	25.22
11	86300500	Drain cap gasket ¹	5.64	6.78
11	51005000	O-ring, drain cap ²	7.63	9.17
12	39104500	Union nut "C" clip	2.07	2.49
13	98212200	Union nut	11.97	14.38
14	071426	O-ring, union	1.77	2.13
15	79304600	Body, swivel	24.41	29.33

¹ Used on filters manufactured before 11/98.

² Used on filters manufactured after 11/98.

CALIFORNIA PROPOSITION 65 WARNING

⚠ **WARNING:** Cancer and Reproductive Harm.
 ⚠ **AVERTISSEMENT:** Peut Causer le Cancer et des Dommages au Système Reproducteur.
 ⚠ **ADVERTENCIA:** Cáncer y Daño Reproductivo.

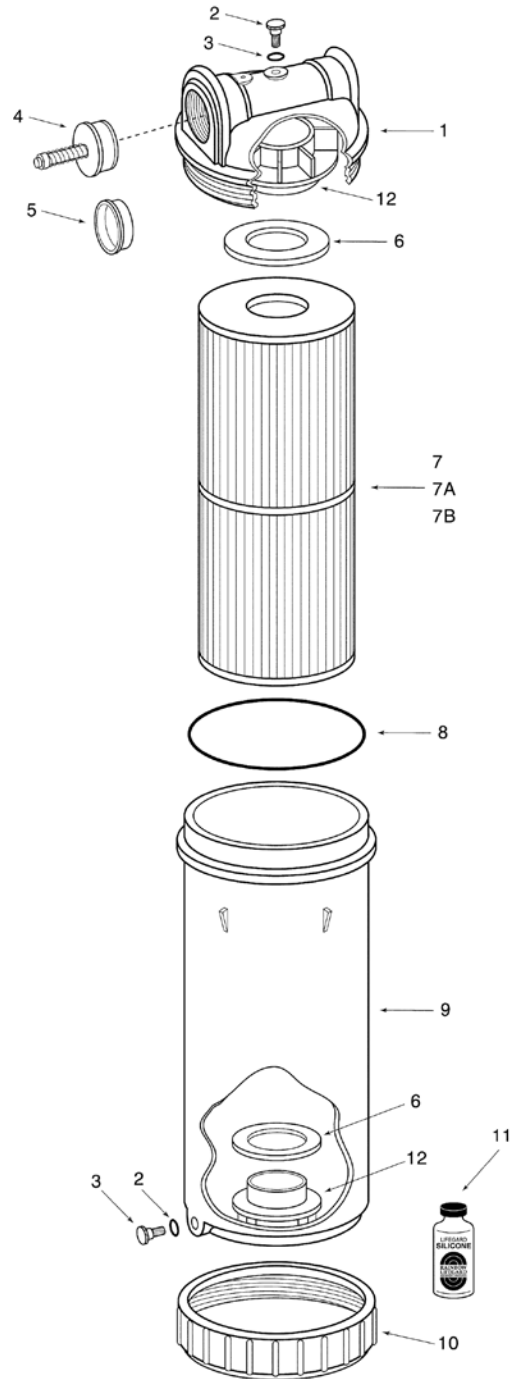
www.p65warnings.ca.gov. PN:201714

DYNAMIC® FILTER SERIES I - MODEL RDC

REPLACEMENT PARTS

Item	Part No.	Qty.	Description	US List	Can. List
DYNAMIC SERIES 1 INLINE CARTRIDGE FILTER MODELS: RDC-25 & RDC-25S, RDC-50 & RDC-50S					
1	R172213	1	Manifold only, 1-1/2 in. FPT	28.10	33.76
1	R172213S	1	Manifold only, 1-1/2 in. socket	29.30	35.21
1	R172213XT	1	Manifold only, black, 1-1/2 in. FPT	27.96	33.60
1	R172213X	1	Manifold only, black, 1-1/2 in. socket	27.96	33.60
1A	R172213C	1	Complete manifold, 1-1/2 in. FPT ¹	38.23	45.94
1A	R172213SC	1	Complete manifold, 1-1/2 in. socket ¹	38.12	45.80
1A	R172213PT	1	Complete manifold, black, 1-1/2 in. FPT ¹	38.23	45.94
1A	R172213P	1	Complete manifold, black, 1-1/2 in. FPT ¹	38.23	45.94
2	R172221	2	O-ring for drain & vent valve	1.60	1.92
3	R172224X	2	Drain and vent valve, black	6.29	7.56
4	R172226X	1	By-pass assembly, black	4.74	5.70
5	R172225X	1	Plug to disable by-pass, black	1.64	1.97
6	R172222	2	Cartridge gasket	3.05	3.66
7	R173428	1	25 sq. ft. cartridge, 6 oz.	57.27	68.82
7B	R173434	1	Cartridge, 3 oz., 13-1/4 in., 50 sq. ft.	72.64	87.28
8	R172223	1	O-ring for cartridge housing	6.29	7.56
9	R172212	1	Cartridge housing	43.50	52.27
9	R172212X	1	Cartridge housing, black	43.50	52.27
10	R172214	1	Lock ring	19.32	23.21
11	R172036Z	Opt.	Silicone lubricant	10.70	12.86
12	R172232X	2	Support ring, black	1.64	1.97

¹ Complete manifold includes No. 1, No. 2, No. 3, No. 4, No. 6 and No. 12.

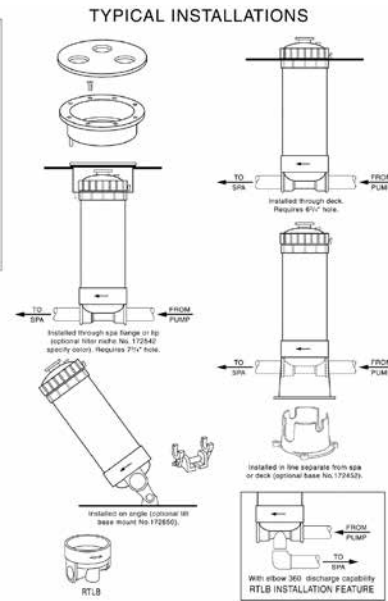
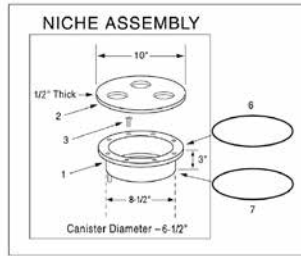
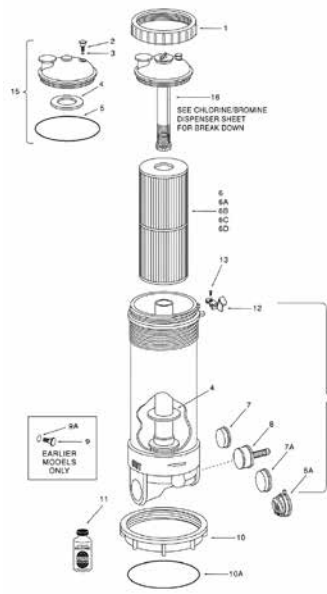


CALIFORNIA PROPOSITION 65 WARNING

⚠ **WARNING:** Cancer and Reproductive Harm.
 ⚠ **AVERTISSEMENT:** Peut Causer le Cancer
 et des Dommages au Système Reproducteur.
 ⚠ **ADVERTENCIA:** Cáncer y Daño Reproductivo.
www.p65warnings.ca.gov

DYNAMIC® FILTER SERIES II & III RTL/RCF

REPLACEMENT PARTS



Item	Part No.	Qty.	Description	US List	Can. List
TOP LOAD IN LINE CARTRIDGE FILTER MODEL RTL/RCF 1-1/2 IN. & 2 IN. HIGH FLOW					
1	R172214	1	Lock ring	19.32	23.21
2	R172224X	1	Air vent valve	6.29	7.56
3	R172221	1	O-ring for air vent valve	1.60	1.92
4	R172222	2	Gasket, cartridge	3.05	3.66
5	R172223	1	O-ring lid to housing	6.29	7.56
6	R173428	1	25 sq. ft. cartridge, 6 oz. ¹	57.27	68.82
6A	R172327	1	25 sq. ft. cartridge, 3 oz. ¹	34.10	40.97
6B	R173434	1	50 sq. ft. cartridge ¹	72.64	87.28
6C	R173435	1	75 sq. ft. cartridge	89.58	107.64
6D	R172633	1	100 sq. ft. cartridge	103.96	124.92
7	R172225X	1	1-1/2 in. Plug to disable by-pass	1.64	1.97
7A	R172679	1	2 in. Plug to disable by-pass	6.47	7.77
8	R172226X	1	1-1/2 in. By-pass assembly	4.74	5.70
8A	R172684	1	2 in. By-pass assembly	10.33	12.41
8B	R172226XF	1	1-1/2 in. By-pass assembly, low flow	5.58	6.70
9	R172392	2	1/4 in. Access plug, earlier models	6.29	7.56
9A	R172393	2	Access plug O-ring, earlier models	6.29	7.56
10	R172370	1	Bottom locking flange	14.02	16.85
10A	R170070	Opt.	O-ring, locking flange	6.89	8.28
11	R172036Z	Opt.	Silicone lubricant	10.70	12.86
12	R172374	1	Lock spring	6.29	7.56
13	R172375	1	Lock screw	1.60	1.92

Item	Part No.	Qty.	Description	US List	Can. List
14	R172386	1	RTL/RCF-25 housing assembly 1-1/2 in., slip ²	96.92	116.46
14A	R172387	1	RTL/RCF-25 housing assembly 1-1/2 in., FPT ²	96.92	116.46
14B	R172388	1	RTL/RCF-50 housing assembly 1-1/2 in., slip ²	96.92	116.46
14C	R172389	1	RTL/RCF-50 housing assembly, 1-1/2 in., FPT ²	96.91	116.45
14E	R172421	1	RTL/RCF-25 housing assembly, 2 in. slip ²	92.28	110.88
14F	R172428	1	RTL/RCF-50 housing assembly, 2 in. slip ²	92.28	110.88
14G	R172638	1	RTL/RCF-75 housing assembly, 2 in. slip ²	103.09	123.87
14H	R172639	1	RTL/RCF-100 housing assembly, 2 in. slip ²	103.47	124.33
15	R172385	1	Lid assembly, complete	27.78	33.38
16	R172540	1	Chlorine/bromine dispenser, complete, RCF	80.13	96.28
RTL AND RCF NICHE ASSEMBLY (R172542)					
1	R172610DG	1	Niche only, dark grey	16.80	20.19
3	R172612	8	No. 10 x 3/4, SS flat head screw	1.60	1.92
4	R170072	Opt.	O-ring, niche to spa	7.62	9.16
5	R170070	Opt.	O-ring, filter to niche	6.89	8.28
NOT SHOWN					
	R172452	Opt.	Free standing base	13.49	16.21
	R170070	Opt.	O-ring, filter to niche	6.89	8.28
	R170072	Opt.	O-ring, niche to spa	7.62	9.16

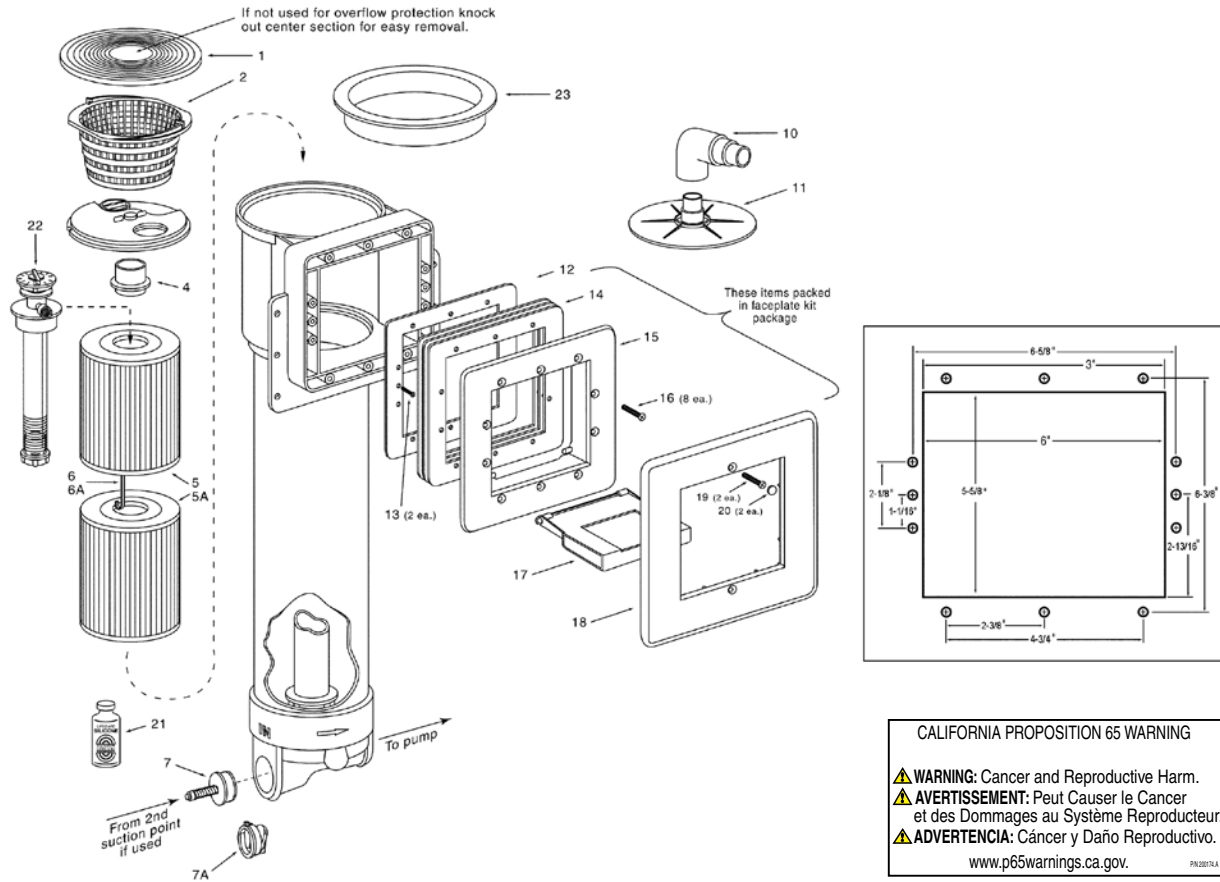
¹ All three cartridges are interchangeable.

² Only one applies to your filter, check model number when ordering.

Note: Specify color of cover and niche desired by adding letters after part no., as follows: SS (sterling silver), WH (white), BLK (black).

DYNAMIC® FILTER SERIES IV - MODEL DSF

REPLACEMENT PARTS



CALIFORNIA PROPOSITION 65 WARNING

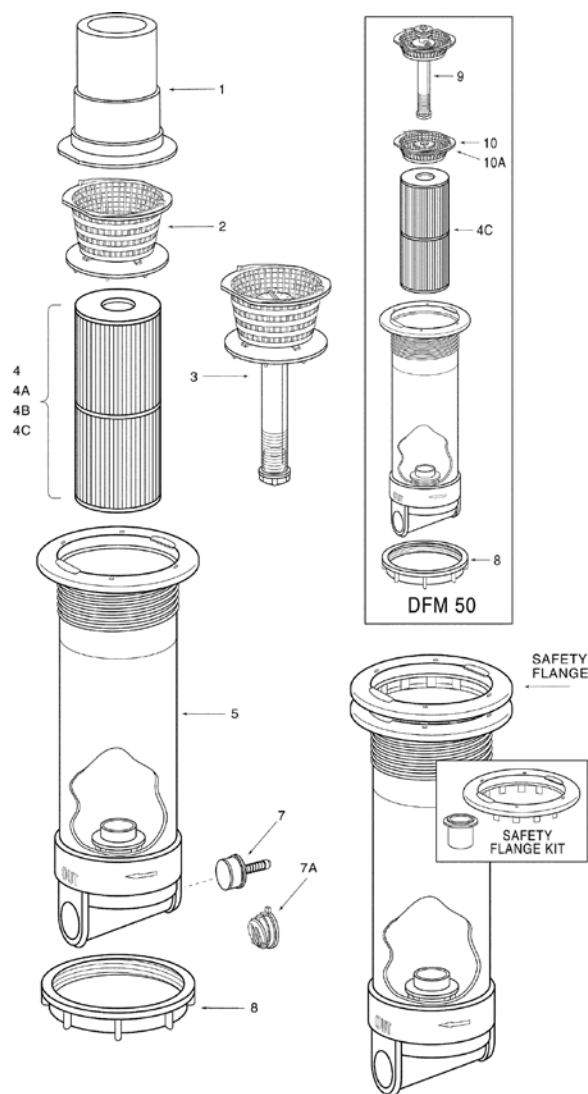
⚠️ **WARNING:** Cancer and Reproductive Harm.
 ⚠️ **AVERTISSEMENT:** Peut Causer le Cancer et des Dommages au Système Reproducteur.
 ⚠️ **ADVERTENCIA:** Cáncer y Daño Reproductivo.
www.p65warnings.ca.gov PR2017A

Item	Part No.	Qty.	Description	US List	Can. List
SKIM FILTER					
1	R172468	1	Cover	9.08	10.91
2	R172467	1	Basket assembly	6.47	7.77
4	R172465	1	Cartridge plug	6.30	7.57
6	R172477	1	Cartridge puller, DSF 50 only	6.30	7.57
6A	R172608	1	Cartridge puller, DSF 35 only	6.09	7.32
7	R172226X	1	By-pass assembly, 1-1/2 in.	4.74	5.70
7A	R172684	1	By-pass assembly, 2 in.	10.33	12.41
	R172393	2	O-ring, access plug, earlier models	6.29	7.56
	R172392	2	1/4 in. Access plug, earlier models	6.29	7.56
10	R172480	1	90° Vac plate adapter	10.08	12.11
11	R172479	1	Vac plate	6.47	7.77

Item	Part No.	Qty.	Description	US List	Can. List
FACE PLATE KIT					
12	R172470	1	Gasket-rear	6.47	7.77
13	R172475	2	Screw, 13-16 x 3/4 in. hi-lo pan head	1.64	1.97
14	R172471	1	Gasket-front face plate	6.47	7.77
15	R172472	1	Face plate	9.40	11.30
16	R172474	8	Screw, 13-16 x 1-1/4 in. hi-lo flat head	1.60	1.92
17	R172469	1	Weir gate assembly	10.43	12.53
18	R172473	1	Safety face plate cover, white	9.88	11.87
19	R172483	2	Screw, 13-16 x 1-5/8 in. hi-lo flat head	CALL	CALL
20	R172605	2	Screw hole plug	6.29	7.56
21	R172036Z	Opt.	Silicone lubricant	10.70	12.86
22	R172560	Opt.	DSF Chlorine/bromine dispenser	55.06	66.16
23	R172624	1	Extension Flange 1.5"	CALL	CALL

DYNAMIC® FILTER SERIES IV - DFM, DFML

REPLACEMENT PARTS



Item	Part No.	Qty.	Description	US List	Can. List
DFML 25C, 25, 35, 50 LILY PAD SKIM FILTER					
1	R172660	1	Lily skimmer float assembly	CALL	CALL
2	R172661	1	Lily basket w/ restrictor assembly	16.28	19.56
3	R172662	1	Lily chemical dispenser w/ basket and restrictor assembly	CALL	CALL
4A	R172327	1	Cartridge, 25 sq. ft., 13-1/4	34.10	40.97
4B	R173431	1	Cartridge, 35 sq. ft., 9-1/4	59.06	70.97
4C	R173434	1	Cartridge, 50 sq. ft., 13-1/4	72.64	87.28
5	R172665X	1	Housing only DFML-25 WH compact w/safety flange	111.23	133.65
7	R172682	1	2 in. By-pass assembly	7.86	9.44
8	R172370	1	Bottom locking flange	14.02	16.85
DFM 50 LOW PROFILE, NO WEIR					
9	R172562	1	Chemical dispenser w/ short basket	65.88	79.16
10	R22113	1	Basket assembly, short	6.77	8.13
10A	R172686	Opt	Basket short w/ restrictor assembly	16.82	20.21

CALIFORNIA PROPOSITION 65 WARNING

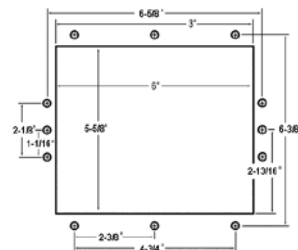
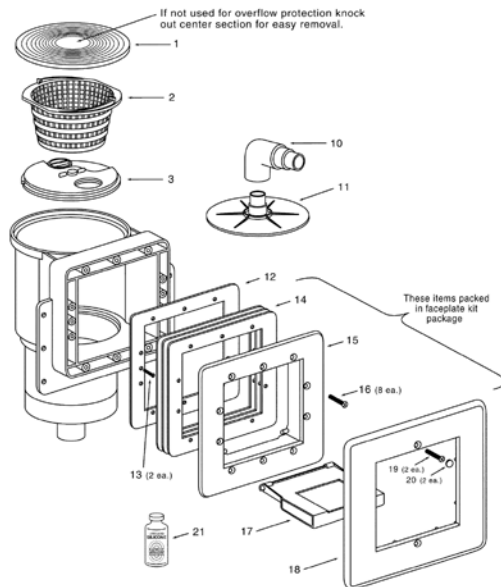
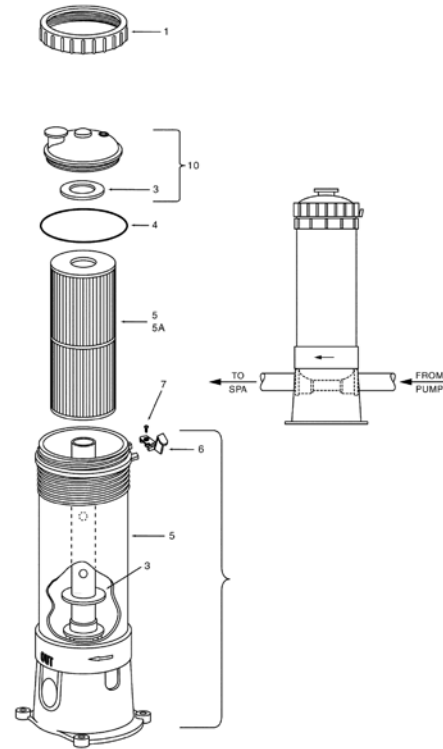
⚠ **WARNING:** Cancer and Reproductive Harm.
 ⚠ **AVERTISSEMENT:** Peut Causer le Cancer et des Dommages au Système Reproducteur.
 ⚠ **ADVERTENCIA:** Cáncer y Daño Reproductivo.

www.p65warnings.ca.gov
P6500714

DYNAMIC® FILTER SERIES V - DSC/SWS SAFETY WALL SKIMMER

REPLACEMENT PARTS

Item	Part No.	Qty.	Description	US List	Can. List
DSC 75, DSC 100 TOP LOAD IN LINE CARTRIDGE FILTER					
1	R172214	1	Lock ring	19.32	23.21
3	R172222	2	Gasket, cartridge	3.05	3.66
4	R172223	1	O-ring, lid to housing	6.29	7.56
5	R173435	1	75 sq. ft. cartridge	89.58	107.64
6	R172374	1	Lock spring	6.29	7.56
7	R172375	1	Lock screw	1.60	1.92
10	R172385A	1	Lid assembly, complete	26.76	32.15
21	R172036Z	Opt.	Silicone lubricant	10.70	12.86
SAFETY WALL SKIMMER					
1	R172468	1	Cover	9.08	10.91
2	R172467	1	Basket assembly	6.47	7.77
10	R172480	1	90° Vac plate adapter	10.08	12.11
11	R172479	1	Vac plate	6.47	7.77
FACE PLATE KIT					
12	R172470	1	Gasket, rear	6.47	7.77
13	R172475	2	Screw, 13-16 x 3/4 in. hi-lo pan head	1.64	1.97
14	R172471	1	Gasket, front face plate	6.47	7.77
15	R172472	1	Face plate	9.40	11.30
16	R172474	8	Screw, 13-16 x 1-1/4 in. hi-lo flat head	1.60	1.92
17	R172469	1	Weir gate assembly	10.43	12.53
18	R172473	1	Safety face plate cover, white	9.88	11.87
19	R172483	2	Screw, 13-16 x 1-5/8 in. hi-lo flat head	CALL	CALL
20	R172605	2	Screw hole plug	6.29	7.56
21	R172036Z	Opt.	Silicone lubricant	10.70	12.86

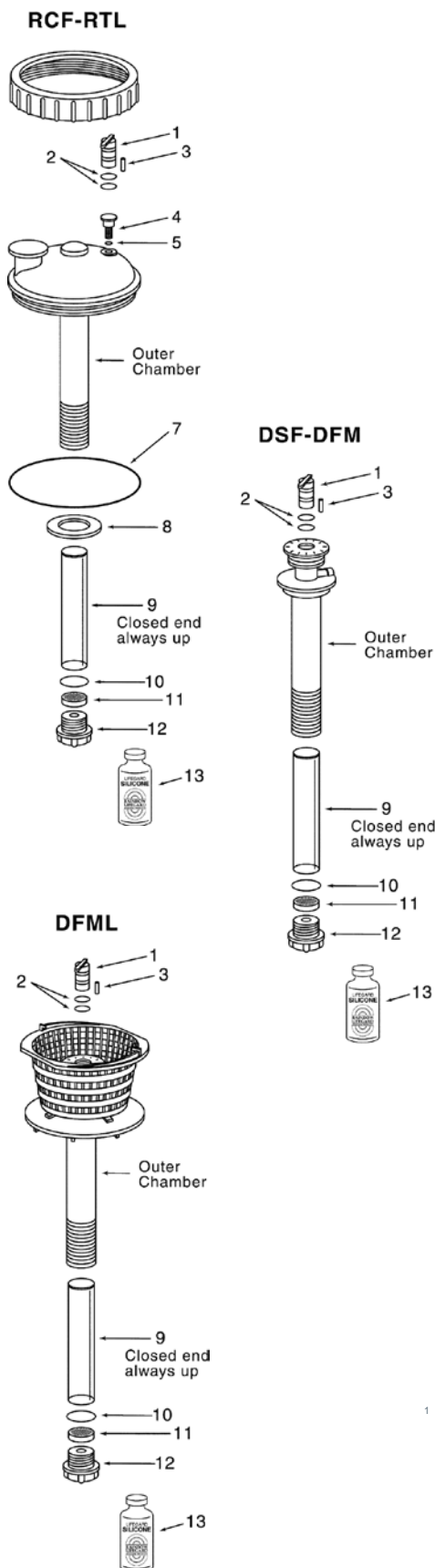


CALIFORNIA PROPOSITION 65 WARNING

⚠ WARNING: Cancer and Reproductive Harm.
⚠ AVERTISSEMENT: Peut Causer le Cancer et des Dommages au Système Reproducteur.
⚠ ADVERTENCIA: Cáncer y Daño Reproductivo.
www.p65warnings.ca.gov

DYNAMIC® FILTER SERIES CHLORINE/BROMINE DISPENSERS

REPLACEMENT PARTS



Item	Part No.	Qty.	Description	US List	Can. List
CHLORINE/BROMINE DISPENSER (R172540/R172540F FOR RCF-RTL)					
1	R172399	1	Control valve stem	6.29	7.56
2	R33017	2	O-ring, control valve	0.42	0.50
3	R18854	1	Stop pin	1.64	1.97
4	R172224X	1	Air vent valve	6.29	7.56
5	R172221	1	O-ring for air vent valve	1.60	1.92
6	R172400	1	Inlet screen ¹	1.64	1.97
7	R172223	1	O-ring lid to housing	6.29	7.56
8	R172222	1	Gasket, cartridge	3.05	3.66
9	R172457	1	Replacement inner chamber	8.42	10.12
10	R172451	1	O-ring, check valve	1.60	1.92
11	R172401	1	Screen, check valve ¹	1.64	1.97
12	R172406	1	Check valve assembly	CALL	CALL
13	R172036Z	Opt.	Silicone lubricant	10.70	12.86
CHLORINE/BROMINE DISPENSER (R172560 FOR DSF-DFM)					
1	R172399	1	Control valve stem	6.29	7.56
2	R33017	2	O-ring, control valve	0.42	0.50
3	R18854	1	Stop pin	1.64	1.97
6	R172400	1	Inlet screen ¹	1.64	1.97
9	R172457	1	Replacement inner chamber	8.42	10.12
10	R172451	1	O-ring, check valve	1.60	1.92
11	R172401	1	Screen, check valve ¹	1.64	1.97
12	R172406	1	Check valve assembly	CALL	CALL
13	R172036Z	Opt.	Silicone lubricant	10.70	12.86
CHLORINE/BROMINE DISPENSER WITH BASKET (R172662 FOR DFML)					
1	R172399	1	Control valve stem	6.29	7.56
2	R33017	2	O-ring, control valve	0.42	0.50
3	R18854	1	Stop pin	1.64	1.97
6	R172400	1	Inlet screen ¹	1.64	1.97
9	R172457	1	Replacement inner chamber	8.42	10.12
10	R172451	1	O-ring, check valve	1.60	1.92
11	R172401	1	Screen, check valve ¹	1.64	1.97
12	R172406	1	Check valve assembly	CALL	CALL
13	R172036Z	Opt.	Silicone lubricant	10.70	12.86

¹ Item No. 6 and No. 11 screens are snapped into place and can easily be removed for cleaning or replacement.

CALIFORNIA PROPOSITION 65 WARNING

⚠ **WARNING:** Cancer and Reproductive Harm.
 ⚠ **AVERTISSEMENT:** Peut Causer le Cancer et des Dommages au Système Reproducteur.
 ⚠ **ADVERTENCIA:** Cáncer y Daño Reproductivo.

www.p65warnings.ca.gov. PH 2021/4

SYSTEM:3® MODULAR MEDIA FILTERS

SM SERIES REPLACEMENT PARTS



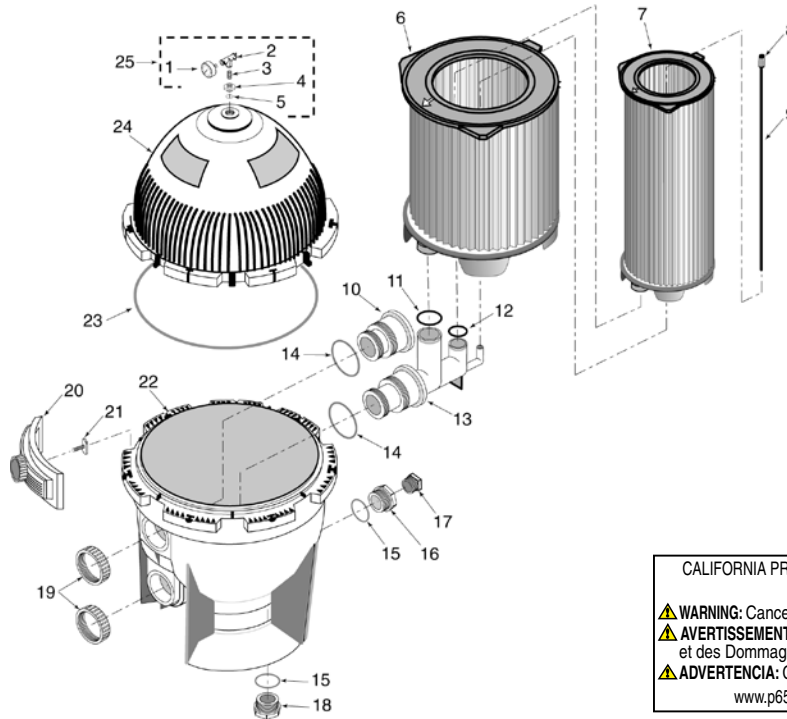
MODELS

S7M120

S7M400

S8M150

S8M500



CALIFORNIA PROPOSITION 65 WARNING
 ⚠️ **WARNING:** Cancer and Reproductive Harm.
 ⚠️ **AVERTISSEMENT:** Peut Causer le Cancer et des Dommages au Système Reproducteur.
 ⚠️ **ADVERTENCIA:** Cáncer y Daño Reproductivo.
www.p65warnings.ca.gov PR2017A

Item	Part No.	Description	US List	Can. List
SYSTEM:3 MODULAR MEDIA FILTERS				
1	33600-0023T	2 in. Gauge	49.49	59.47
2	154689Z	Air Release Valve	31.43	37.77
3	35202-0959	Nipple	14.52	17.45
4	24900-0504	Adapter Bushing	19.34	23.24
5	35505-1423	O-Ring	2.07	2.49
6	25022-0201S	Large Cartridge (S7M120, 21 in. Filter)	551.97	663.25
6	25022-0224S	Large Cartridge (S7M400, 21 in. Filter)	755.43	907.72
6	25022-0203S	Large Cartridge (S8M150, 25 in. Filter)	748.34	899.21
6	25022-0225S	Large Cartridge (S8M500, 25 in. Filter)	773.12	928.98
7	25021-0200S	Small Cartridge (S7M120)	277.76	333.76
7	25021-0223S	Small Cartridge (S7M400)	307.84	369.90
7	25021-0202S	Small Cartridge (S8M150)	459.96	552.69
7	25021-0224S	Small Cartridge (S8M500)	555.51	667.50
8	WC8-126Z	Air Bleed Filter	15.90	19.11
9	25021-0003	Air Bleed Tube	10.10	12.14
10	25021-0101	Baffle and Bulkhead Fitting	74.48	89.50
11	35505-1428	O-Ring	5.99	7.20
12	35505-1429	O-Ring	4.81	5.78
13	25021-0100	Elbow and Bulkhead Assembly	110.94	133.31
14	35505-1425	O-Ring	16.01	19.24
15	35505-1424	O-Ring	9.60	11.54
16	24900-0509	Adapter Fitting	29.75	35.75
17	27001-0022	1-1/2 in. NPT Plug	3.06	3.68

Item	Part No.	Description	US List	Can. List
18	24900-0503	Drain Plug	29.58	35.54
19	24752-0050	Bulkhead Retaining Nut	25.55	30.70
20	24850-0200	Clamp Assembly ¹	135.29	162.56
21	24850-0010	Clamp Bolt ¹	32.76	39.36
22	24850-0102S	Lower Tank Half, 21 in. Filter	1157.14	1390.42
22	24851-0103S	Lower Tank Half, 25 in. Filter	1307.43	1571.01
23	24850-0008	Cord Ring, 21 in. Filter	66.32	79.69
23	24850-0009	Cord Ring, 25 in. Filter	75.88	91.18
24	24851-9000	Upper Tank Half Kit, 21 in. Filter ²	1036.23	1245.13
24	24851-9001	Upper Tank Half Kit, 25 in. Filter ²	1274.60	1531.56
25	24850-0105	Valve & Gauge Assembly (Includes #1, 2, 3, 4, 5)	103.56	124.44
NOT SHOWN				
	24850-0016	Clamp Retaining Ring ¹	6.97	8.38
	U212-252DS	Brass Deluxe Air Bleed (optional)	CALL	CALL
	U11-196PSZ	Adapter Union 2 in. Slip	9.90	11.90
	U11-200PSZ	Union Collar 2 in.	11.98	14.40
	PKG 188Z	2 in. Slip 1/2 Union Kit	33.51	40.27
	U9-362	O-Ring	5.41	6.50
	25021-0021	Modular media Conversion Kit (Includes #10, 11, 12, 13, 14, 19. Must also purchase item 6 and 7 separately)	331.44	398.26

¹ Model S7M120 requires 7 clamps and clamp bolts. Model S8M 150 requires 8 clamps and clamp bolts.

² Includes all decals and labels.

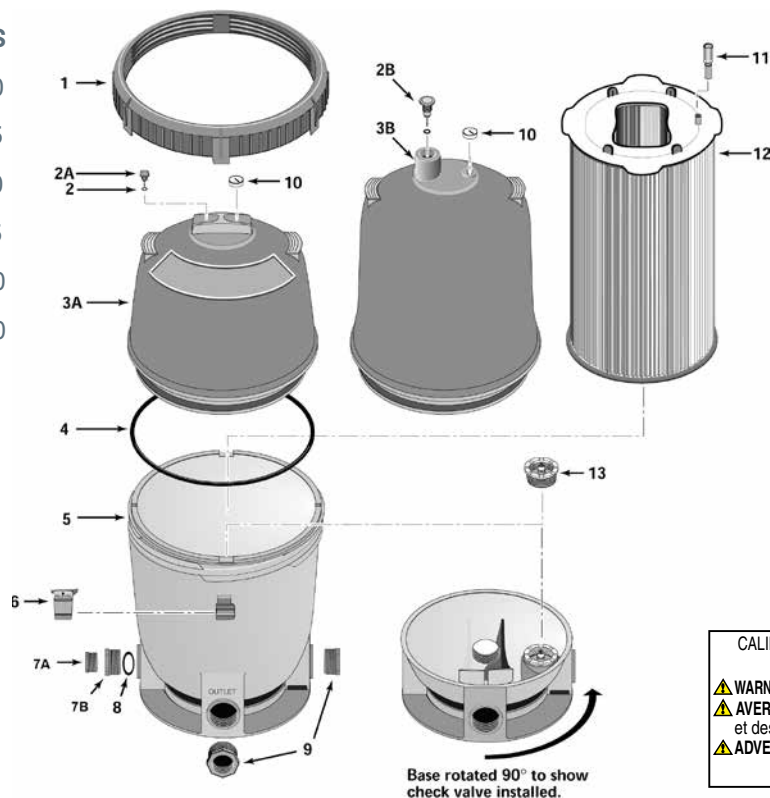
SYSTEM:2™ MODULAR MEDIA FILTERS

PLM SERIES REPLACEMENT PARTS



MODELS

- PLM100
- PLM125
- PLM150
- PLM175
- PLM200
- PLM300



CALIFORNIA PROPOSITION 65 WARNING
 ⚠️ **WARNING:** Cancer and Reproductive Harm.
 ⚠️ **AVERTISSEMENT:** Peut Causer le Cancer et des Dommages au Système Reproducteur.
 ⚠️ **ADVERTENCIA:** Cáncer y Daño Reproductivo.
www.p65warnings.ca.gov PLM201714

Item	Part No.	Description	US List	Can. List
SYSTEM:2 MODULAR MEDIA FILTERS				
1	27001-0054S	Posi-Lok™ ring	218.84	262.96
2	U9-359	O-ring	0.83	1.00
2A	25010-0200	Air release valve assy. w/ O-ring P/N U9-359	19.66	23.62
2B	24206-0103S	Air vent stem w/ O-ring P/N 35505-7439	11.15	13.40
3A	27001-0020S	Tank shell upper half ^{1,5} Models PLM100, PLM125, PLM150, PLM175, PLM200	327.75	393.82
3B	27001-0030S	Tank shell upper half ^{1,5} Model PLM300	515.53	619.46
4	27001-0061S	Cord-ring	57.10	68.61
4	27001-0060S	Cord-ring (Pre 3/97) Models PLM100, PLM150	56.59	68.00
5	27001-0009S	Tank shell lower half ^{4,5}	556.77	669.01
6	27001-0051	Safety latch for ring	15.40	18.50
7A	27001-0022	1-1/2 in. NPT plug	3.06	3.68
7B	24900-0510	Adapter fitting	29.75	35.75
8	35505-1424	O-ring	9.60	11.54

Item	Part No.	Description	US List	Can. List
9	U78-820P	2 in. x 1-1/2 in. Pipe reducer ²	14.10	16.94
10	15060-0000T	Pressure gauge ³	47.86	57.51
11	24800-0121	Air bleed assembly	19.00	22.83
12	27002-0100S	Filter module - Model PLM100	290.93	349.58
12	27002-0125S	Filter module - Model PLM125	350.56	421.23
12	27002-0150S	Filter module - Model PLM150	431.88	518.95
12	27002-0175S	Filter module - Model PLM175	486.07	584.06
12	27002-0200S	Filter module - Model PLM200	542.12	651.41
12	27002-0300S	Filter module - Model PLM300	697.51	838.13
13	27001-0130S	Spring check valve ²	23.75	28.54
NOT SHOWN				
	33455-1050	Spring check valve gasket	4.27	5.13

¹ Includes all decals and labels.

² Optional Equipment.

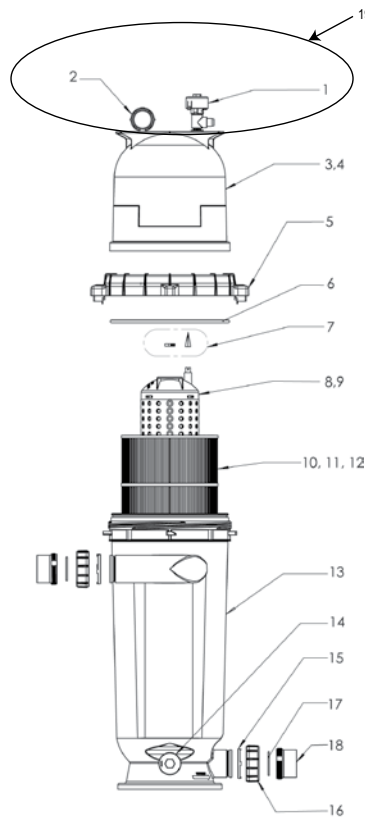
³ Shipped in accessory package.

⁴ Includes 24900-0510 adapter fitting, 27001-0051 safety latch, & 27001-0054 PosiLok™ ring.

⁵ Filters manufactured before 2005 should also purchase a top and bottom.

POSI-CLEAR™ RP FILTERS

PXC SERIES REPLACEMENT PARTS

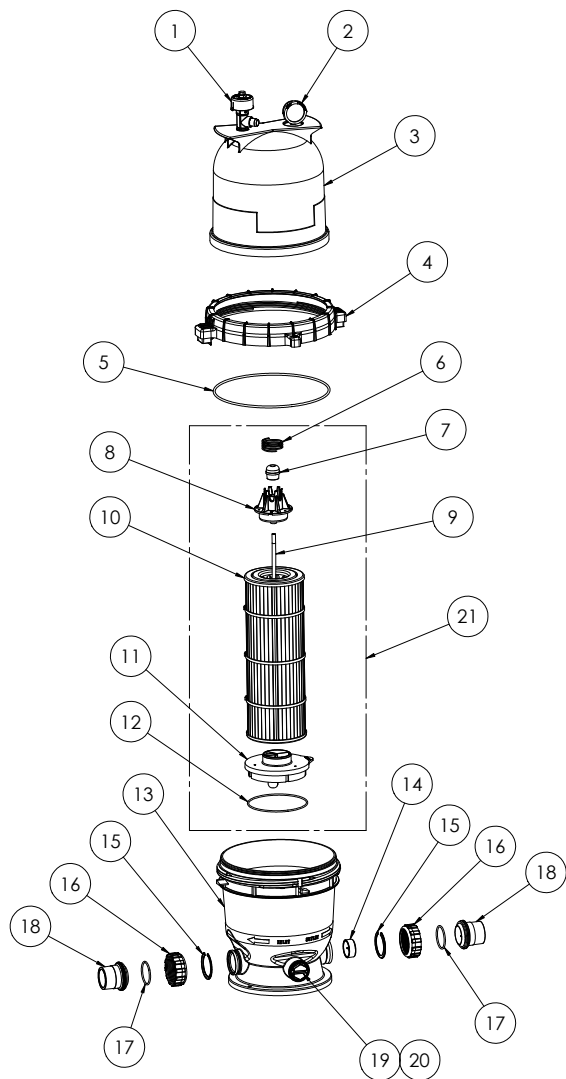


CALIFORNIA PROPOSITION 65 WARNING
 ⚠️ **WARNING:** Cancer and Reproductive Harm.
 ⚠️ **AVERTISSEMENT:** Peut Causer le Cancer et des Dommages au Système Reproducteur.
 ⚠️ **ADVERTENCIA:** Cáncer y Daño Reproductivo.
www.p65warnings.ca.gov PXC2017A

Item	Part No.	Description	US List	Can. List
POSI-CLEAR RP FILTERS				
1	98209800	High flow manual air relief valve	37.80	45.42
2	190058Z	Pressure gauge	47.34	56.88
3	59053001Z	Lid, 100 sq. ft. filter	176.41	211.97
4	178745Z	Lid, 150, 200 sq. ft. filter	164.47	197.63
5	59052900	Locking ring assembly	108.25	130.07
6	87300400Z	Body O-ring	10.66	12.81
7	59016200	Air bleed sock kit	14.49	17.41
8	59053700	Center core, 100 sq. ft. filter	150.76	181.15
9	59053800	Center core, 150, 200 sq. ft. filter	231.06	277.64
10	R173215	Cartridge element, 100 sq. ft. filter	159.53	191.69
11	R173216	Cartridge element, 150 sq. ft. filter	210.18	252.55
12	R173217	Cartridge element, 200 sq. ft. filter	262.33	315.22
13	178743Z	Tank bottom	382.29	459.36
14	190030Z	Drain	32.88	39.51
14	191474	O-ring	0.97	1.17
15	178732Z	Union nut "C" clip	8.47	10.18
16	U11-200PSZ	Union nut	11.98	14.40
17	178746Z	Union diamond seal	4.58	5.50
18	178733Z	Union, threaded half	48.56	58.35
19	170097	Air Relief Parts Kits	100.31	120.53

EASYCLEAN™ D.E. FILTERS

REPLACEMENT PARTS



Item	Part No.	Description	US List	Can. List
EASYCLEAN FILTER SYSTEMS				
1	98209800	High Flow Manual Air Relief Valve	37.80	45.42
2	190058Z	Pressure Gauge	47.34	56.88
3	178561	Lid, Almond	164.47	197.63
4	59052900	Locking Ring Assy	108.25	130.07
5	87300400Z	Body O-Ring	10.66	12.81
6	178616	Compression Spring	7.11	8.54
7	190106Z	Air Bleeder	29.47	35.41
8	178626	Center Core Top, EC	20.08	24.13
9	U37-3/8P	Air Bleeder Tube, EC60	CALL	CALL
9	U37-3/8P	Air Bleeder Tube, EC90	CALL	CALL
10	178757	Cartridge Element, EC60	93.61	112.48
10	178656	Cartridge Element, EC90	191.16	229.70
11	178627	Center Core Bottom, EC	17.54	21.08
12	071422	O-Ring, Center Core	7.63	9.17
13	178562	Tank Bottom, EC60	311.38	374.15
13	178563	Tank Bottom, EC90	396.82	476.82
14	51516100	Check Valve Kit	43.89	52.74
15	39104500	C-Clip (Union Nut)	2.07	2.49
16	98212200	Union Nut	11.97	14.38
17	071426	O-Ring, Union	1.77	2.13
18	79304600	Body Swivel	24.41	29.33
19	86202000	Drain Cap with O-Ring	20.99	25.22
20	51005000	O-Ring Drain Cap	7.63	9.17
21 ¹	196060	Element Retro Kit, EC60	150.47	180.80
21 ¹	196090	Element Retro Kit, EC90	217.34	261.16
NOT SHOWN				
	155151	Flex Hose Kit (6 ft.) *	108.80	130.73
	155005	Flex Hose Kit (12 ft.) *	143.58	172.53

CALIFORNIA PROPOSITION 65 WARNING

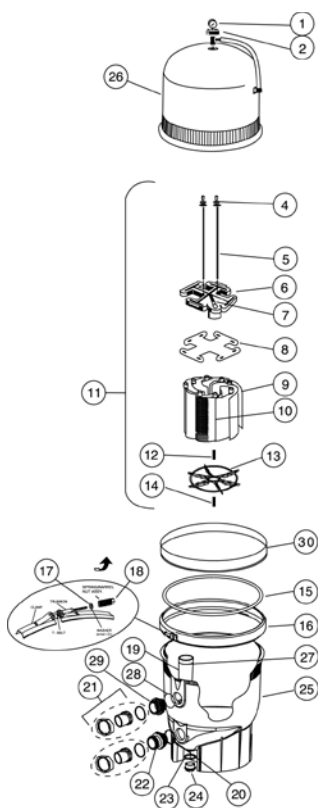
⚠️ **WARNING:** Cancer and Reproductive Harm.
 ⚠️ **AVERTISSEMENT:** Peut Causer le Cancer et des Dommages au Système Reproducteur.
 ⚠️ **ADVERTENCIA:** Cáncer y Daño Reproductivo.
www.p65warnings.ca.gov

¹ Item 21 includes items 6 through 12. Item 21 replaces the Center Core, Cartridge Element, and Air Bleeder Sock Kit on filters manufactured before 2014.

* Replacement Hose Kits include two (2) hoses, four (4) hose adapters and four (4) hose clamps.

FNS® PLUS FILTERS

REPLACEMENT PARTS FOR VERTICAL GRID FILTERS



Item	Part No.	Description	US List	Can. List
FNS PLUS FILTERS				
1	190058Z	Gauge, pressure	47.34	56.88
2	98209800	High Flow manual air relief valve, HFMARV	37.80	45.42
4	071404Z	Wing nut	15.64	18.79
5	59000800	Tie rod, 24 sq. ft. filter	40.49	48.65
5	59001500	Tie rod, 36 sq. ft. filter	43.32	52.05
5	59002100	Tie rod, 48 sq. ft. filter	47.31	56.85
5	59002700	Tie rod, 60 sq. ft. filter	47.31	56.85
6	59023700	Manifold, top w/air bleed	163.35	196.28
7	190092	Internal ail bleed assembly Pre 10/09 - porous white material After 10/09 - stainless steel mesh	29.62	35.59
8	98725800	Template, filter	8.46	10.17
9	59001100	Grid, lg. 12 in., 24 sq. ft. filter, 7 req.	24.87	29.88
9	59001800	Grid, lg. 18 in., 36 sq. ft. filter, 7 req.	30.37	36.49
9	59002400	Grid, lg. 24 in., 48 sq. ft. filter, 7 req.	38.10	45.78
9	59003000	Grid, lg. 30 in., 60 sq. ft. filter, 7 req.	47.63	57.23
10	59001000	Grid, sm. 12 in., 24 sq. ft. filter, 1 req.	26.35	31.66
10	59002300	Grid, sm. 24 in., 48 sq. ft. filter, 1 req.	40.69	48.89
10	59002900	Grid, sm. 30 in., 60 sq. ft. filter, 1 req.	48.84	58.69
10	59001700	Grid, sm. 18 in., 36 sq. ft. filter, 1 req.	32.35	38.87
11	59023800	Assembly, element grid, complete, 24 sq. ft. filter	483.97	581.54
11	59023500	Assembly, element grid, complete, 36 sq. ft. filter	431.47	518.45

Item	Part No.	Description	US List	Can. List
FNS PLUS FILTERS				
11	59023400	Assembly, element grid, complete, - 48 sq. ft. filter	488.92	587.49
11	59023300	Assembly, element grid, complete, - 60 sq. ft. filter	517.80	622.19
12	98211400	Nut, 1/4-20, plated brass	2.81	3.38
13	59000500	Spider, grid locator	87.34	104.95
14	58001000	Nut, lock, hex, nylon	2.28	2.74
15	39010200Z	O-ring, tank clamp, .470 O.D.	61.55	73.96
16	190003	Clamp, kit	351.81	422.73
17	195610	Washer, .325 i.d. for filter clamp	7.45	8.95
18	53108900Z	Spring/barrel nut assembly	52.56	63.16
19	190034	Assembly, standpipe, outlet, 24 sq. ft. filter, 4-3/8 in. tall	71.05	85.37
19	190035	Assembly, standpipe, outlet, 36 sq. ft. filter, 10-3/8 in. tall	76.15	91.50
19	190036	Assembly, standpipe, outlet, 48 sq. ft. filter, 16-3/8 in. tall	88.08	105.84
19	190037	Assembly, standpipe, outlet, 60 sq. ft. filter, 22-3/8 in. tall	82.99	99.72
20	86006900	O-ring, bulkhead	6.87	8.25
21	271096	Bulkhead union, set (Optional)	67.24	80.80
21	270100	Valve Adapter Kit, 2 in. Black (Optional)	73.66	88.51
22	190043	Assembly, pipe, inlet, includes bulkhead	117.94	141.72
23	51005000	O-ring for drain plug	7.63	9.17
23	191474	O-ring for drain plug ³	0.97	1.17
24	86202000	Plug, 1-1/2 in. drain, w/ O-ring	20.99	25.22
24	190030Z	Cap drain ³	32.88	39.51
25	170015	Tank bottom, assembly, 24 sq. ft. filter	560.81	673.87
25	170016	Tank bottom, assembly, 36 sq. ft. filter	556.25	668.39
25	170017	Tank bottom, assembly, 48 sq. ft. filter	561.72	674.96
25	170018	Tank bottom, assembly, 60 sq. ft. filter	564.29	678.05
26	170019	Tank lid, 24 sq. ft. filter	260.79	313.37
26	170020	Tank lid, 36 sq. ft. filter	317.72	381.77
26	170021	Tank lid, 48 sq. ft. filter	384.66	462.21
26	170022	Tank lid, 60 sq. ft. filter	448.64	539.09
27	59000600	O-ring, bulkhead	6.87	8.25
28	192320	O-ring 2-137 Buna N 70SH ¹	4.18	5.02
28	86006900	O-ring bulkhead ²	6.87	8.25
29	190141	Bulkhead Kit, 2 in. w/ O-ring ²	117.43	141.10
30	195339	SS back-up ring ⁴	80.02	96.15
NOT SHOWN				
	192019	Wrench, drain plug	54.80	65.85
	196019	Parts Bag (Includes warranty card, instruction book, and items 1 and 2)	75.99	91.31

¹ Used on filters manufactured before 10/04.

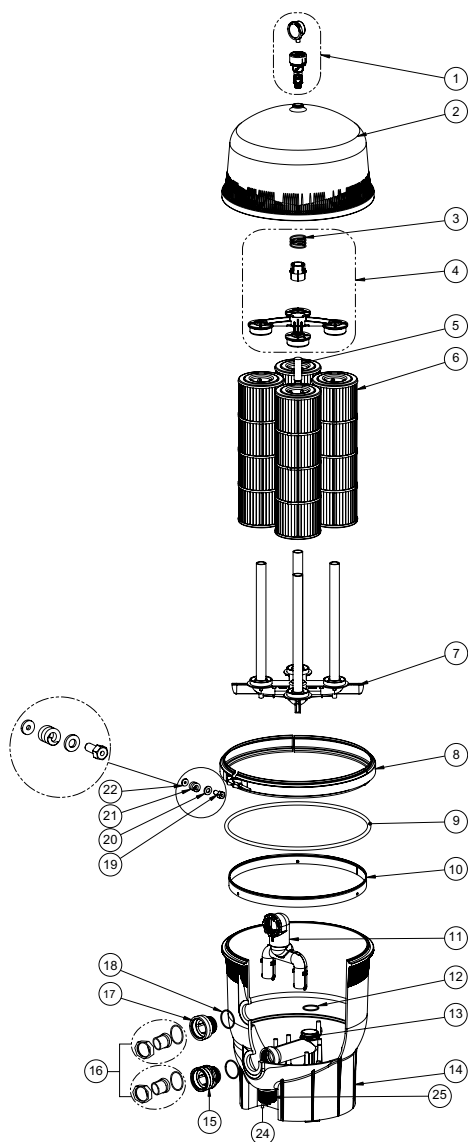
³ Used on filters manufactured after 5/21/05.

² Used on filters manufactured after 10/04.

⁴ Used on filters manufactured after 2/03.

QUAD D.E.® FILTERS

REPLACEMENT PARTS



Item	Part No.	Description	US List	Can. List
QUAD D.E. FILTERS				
1	98209800	Assy. Manual air relief valve	37.80	45.42
2	170024	Lid, Quad 60	320.42	385.02
2	178581	Lid, Quad 80	366.20	440.03
2	178582	Lid, Quad 100	431.40	518.37
3	178616	Spring compression	7.11	8.54
4	170026	Manifold top assembly	87.34	104.95
5	170029	Air bleeder assy., Quad 60	50.67	60.89
5	170028	Air bleeder assy., Quad 80	51.51	61.89
5	178583	Air bleeder assy., Quad 100	49.96	60.03
6	178656	Cartridge, Quad 100 *	191.16	229.70
6	178655	Cartridge, Quad 80 *	156.41	187.94
6	178654	Cartridge, Quad 60 *	97.33	116.95
7	170059	Manifold assy. Bottom	182.32	219.08
8	190003	Kit Clamp Band	351.81	422.73
9	39010200Z	O-ring RPM tank clamp	61.55	73.96
10	195339	Ring back-up - FNS Pls	80.02	96.15
11	196024S	Divertor Assembly, Retro Kit	107.48	129.15
12	354571	O-ring	3.84	4.61
13	170036	Pipe outlet - RPM fltr	103.17	123.97
14	195999	Bottom tank w/ drain plug 7-1/2 in.	621.27	746.52
15	178575	Bulkhead bottom	26.97	32.41
16	194801	Bulkhead - 2-3/8-8 butt	112.54	135.23
18	86006900	O-ring 2-329 bulkhead RPM	6.87	8.25
19	194997	Nut - Spl	14.84	17.83
20	195611	Washer - lg id	8.00	9.61
21	195612	Spring	26.31	31.61
22	195610	Washer - sm id	7.45	8.95
24	191474	O-ring for Drain Plug	0.97	1.17
25	190030Z	Cap Drain	32.88	39.51
NOT SHOWN				
*	190106Z	Repl. Screen Cap for Air Bleeder Assy.	29.47	35.41
	274426	Adapter Kit - 2-1/2 in. x 2 in.	CALL	CALL
	178711	Parts Bag - includes warranty card, instruction Book, Adapter Kit (270100) and Pressure Gauge (190058Z)	109.27	131.30

CALIFORNIA PROPOSITION 65 WARNING

⚠ **WARNING:** Cancer and Reproductive Harm.
 ⚠ **AVERTISSEMENT:** Peut Causer le Cancer et des Dommages au Système Reproducteur.
 ⚠ **ADVERTENCIA:** Cáncer y Daño Reproductivo.

www.p65warnings.ca.gov

SM & SMBW 4000 SERIES™ FILTERS

REPLACEMENT PARTS FOR SHEET MOLDED FILTERS

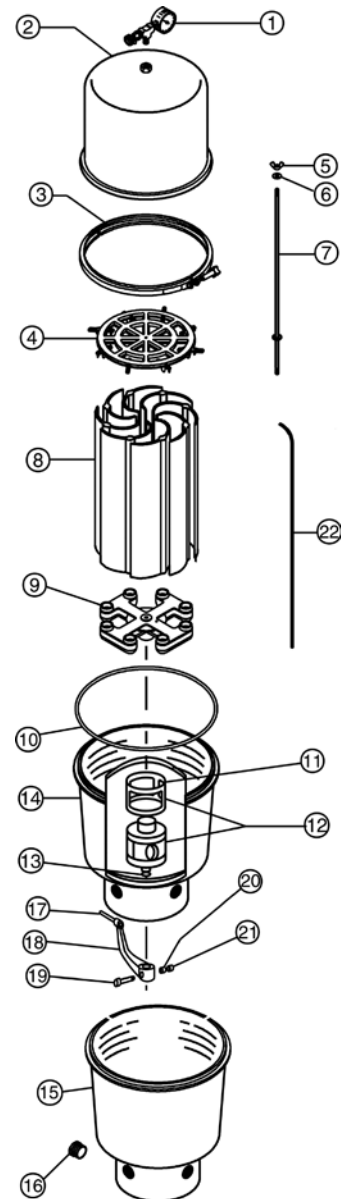
Item	Part No.	Description	US List	Can. List
SM & SMBW 4000 SERIES FILTERS				
1	073027	Complete gauge assembly includes: ³	122.64	147.36
	98209800	Hi Flow Air Relief ⁴	37.80	45.42
	190058Z	Gauge, 1/4 in., 60 lbs.	47.34	56.88
	071390	Nipple, plastic, 1/4 in.	7.11	8.54
2	197136	Lid SM/SMBW 4048 replacement	754.24	906.29
2	197137	Lid SM/SMBW 4060 replacement	823.85	989.94
3	197020	Clamp ring assembly	372.41	447.49
3	076033	Knob clamping band ²	13.87	16.67
3	071136Z	Knob clamping band ¹	25.41	30.53
4	071019Z	Holding wheel 4024, 4036, 4048	38.23	45.94
4	197120	Holding wheel 4060	43.52	52.29
5	071404Z	Nut wing, 1/4 in. 20 SS	15.64	18.79
6	072173	Washer 5/16 in. i.d. x 3/4 in. o.d.	1.95	2.34
7	072870	Center rod SM/SMBW 4024 21 in.	48.01	57.69
7	072869	Center rod SM/SMBW 4036 27 in.	42.27	50.79
7	072880	Center rod SM/SMBW 4048 33 in.	43.65	52.45
7	072867	Center rod SM/SMBW 4060 39 in.	46.16	55.47
8	074922	Element 4024 12 in., 8 req.	28.23	33.92
8	074923	Element 4036 18 in., 8 req.	37.57	45.14
8	074924	Element 4048 24 in., 8 req.	47.12	56.62
8	074925	Element 4060 30 in., 8 req.	56.57	67.97
9	073270Z	Manifold 2000/4000 series 8 holes	30.14	36.22
10	071439	O-ring, 4000 series lid	76.24	91.61
11	071720	Seal BW valve rotor tapered	21.21	25.49
12	073370	Rotor valve Noryl w/ seal, includes No. 11 & 13	160.79	193.21
13	JV18	O-ring 2113	1.22	1.47
14	197130	Tank bottom, SMBW	672.88	808.53
15	197126	Tank bottom, SM	947.04	1137.96
16	071559	Plug PVC 2 in., SM only	11.00	13.22
17	190026	Handle SMBW rotor SS	35.41	42.55
18	070971	Handle extension BW, brass	152.23	182.92
19	070979	Handle stud bolt SS, 1/4-20 x 1-3/4 in.	1.77	2.13
20	072172	Washer lock, 1/4 in. SS	0.27	0.32
21	071406	Nut, 1/4-20 SS hex	1.69	2.03
22	075279	Vent tube 1/4 in., 46 in. all models	14.84	17.83

¹ Used on filters manufactured before 1998.

² Used on filters manufactured after 1998.

³ Used on filters manufactured before 1999.

⁴ Used on filters manufactured after 1999.



Did you know that...if you order a tapered rotor seal and attempt to install it into a straight sided casting, the seal will be cut. If you install a straight seal in a tapered casting, the valve will leak. The tapered seal can be identified by a mark on each of the vertical legs signifying the top of the seal. Since the straight seals are not directional, they have no marks on the vertical legs. The tapered seal P/N is 071720. The straight seal P/N is 071719, which we no longer manufacture. Both 2000/4000 series filters with backwash now use the same Noryl rotor and the tapered seal. The product number for the rotor and seal assembly P/N is 073370. Tapered castings have a letter "T" stamped into the underside of the middle, pump port. Don't confuse this with a letter "T" in felt pen, which means the assembly has been pressure tested.

CALIFORNIA PROPOSITION 65 WARNING
⚠ WARNING: Cancer and Reproductive Harm.
⚠ AVERTISSEMENT: Peut Causer le Cancer et des Dommages au Système Reproducteur.
⚠ ADVERTENCIA: Cáncer y Daño Reproductivo.
www.p65warnings.ca.gov P65-2015-14

SYSTEM:2™ MODULAR D.E. FILTERS

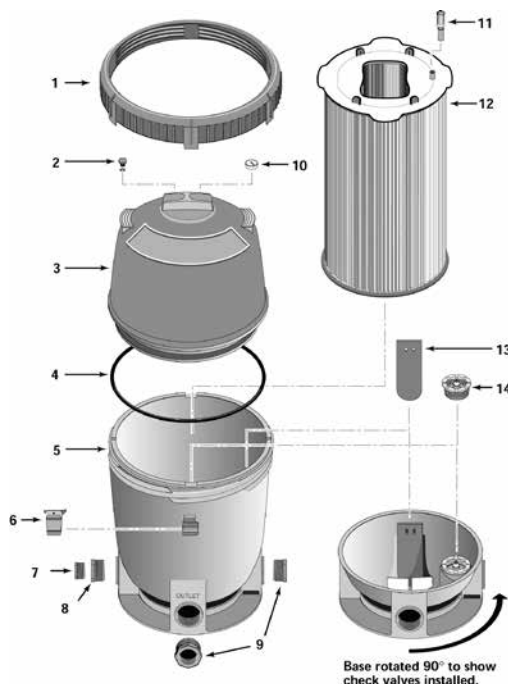
PLD SERIES REPLACEMENT PARTS



MODELS

PLD50 - DE

PLD70 - DE



CALIFORNIA PROPOSITION 65 WARNING
 ⚠️ **WARNING:** Cancer and Reproductive Harm.
 ⚠️ **AVERTISSEMENT:** Peut Causer le Cancer et des Dommages au Système Reproducteur.
 ⚠️ **ADVERTENCIA:** Cáncer y Daño Reproductivo.
www.p65warnings.ca.gov PR 2017/14

Item	Part No.	Description	US List	Can. List
SYSTEM:2 MODULAR D.E. FILTERS				
1	27001-0054S	Posi-Lok® ring	218.84	262.96
2	25010-0200	Air release valve assembly	19.66	23.62
3	27001-0020S	Tank shell upper half ^{1,5}	327.75	393.82
4	27001-0061S	Cord-ring	57.10	68.61
4	27001-0060S	Cord-ring (Pre 3/97), PLD50	56.59	68.00
5	27001-0009S	Tank shell lower half w/ ring ^{4,5}	556.77	669.01
6	27001-0051	Safety latch for ring	15.40	18.50
7A	27001-0022	1-1/2 in. NPT plug w/ O-Ring	3.06	3.68
7B	24900-0509	Adapter fitting (Pre 10/03)	29.75	35.75
7B	24900-0510	Adapter fitting	29.75	35.75
9	U78-820P	2 in. x 1-1/2 in. Pipe reducer ²	14.10	16.94
10	15060-0000T	Pressure gauge ³	47.86	57.51
11	24800-0120	Air bleed assembly	22.86	27.47
12	27002-0030S	Filter module, PLD50	365.02	438.61
12	27002-0036S	Filter module, PLD70	424.64	510.25
13	27001-0011	Flapper valve	17.20	20.67
14	27001-0130S	Spring check valve ²	23.75	28.54
NOT SHOWN				
	33455-1050	Spring check valve gasket	4.27	5.13

¹ Includes all decals and labels.

² Optional Equipment.

³ Shipped in accessory package.

⁴ Includes 27001-0051 safety latch, & 27001-0054 Posi-Lok ring™ ring.

⁵ Filters made before 2005 should replace the top and bottom together.

SYSTEM:2™ MODULAR D.E. FILTERS

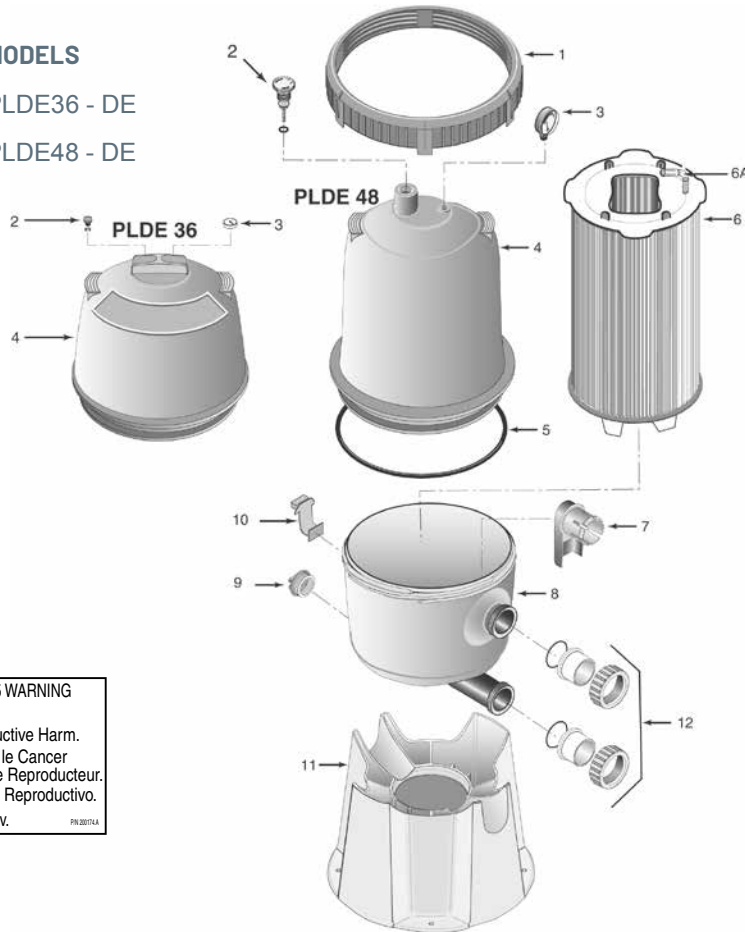
PLDE SERIES REPLACEMENT PARTS



MODELS

PLDE36 - DE

PLDE48 - DE



CALIFORNIA PROPOSITION 65 WARNING
 ⚠️ **WARNING:** Cancer and Reproductive Harm.
 ⚠️ **AVERTISSEMENT:** Peut Causer le Cancer et des Dommages au Système Reproducteur.
 ⚠️ **ADVERTENCIA:** Cáncer y Daño Reproductivo.
www.p65warnings.ca.gov PN 201514

Item	Part No.	Description	US List	Can. List
SYSTEM:2 MODULAR D.E. FILTERS				
1	27001-0054S	Posi-Lok® Ring	218.84	262.96
2	25010-0200	Air Release Valve with O-ring, PLDE36	19.66	23.62
2	24206-0103S	Air Release Valve with O-ring, PLDE48	11.15	13.40
3	15060-0000T	Pressure Gauge	47.86	57.51
4	27001-0020S	Tank Upper Half with Air Relief Valve, PLDE36 ²	327.75	393.82
4	27001-0030S	Tank Upper Half with Air Relief Valve, PLDE48 ²	515.53	619.46
5	27001-0061S	Tank O-Ring	57.10	68.61
6	27002-0036S	Filter Module, PLDE36	424.64	510.25
6	27002-0048S	Filter Module, PLDE48	533.06	640.52
6A	24800-0120	Air Bleed Assembly	22.86	27.47
7	27001-0015S	Diverter	31.36	37.68
8	27001-0016S	Tank Lower Half ^{1,2}	277.36	333.28
9	27001-0022	Drain Plug	3.06	3.68
10	27001-0051	Safety Latch	15.40	18.50
11	27001-0018S	Tank Support Base	145.58	174.93
12	PKG 188Z	2 in. Union Adapter Package (includes 2)	33.51	40.27

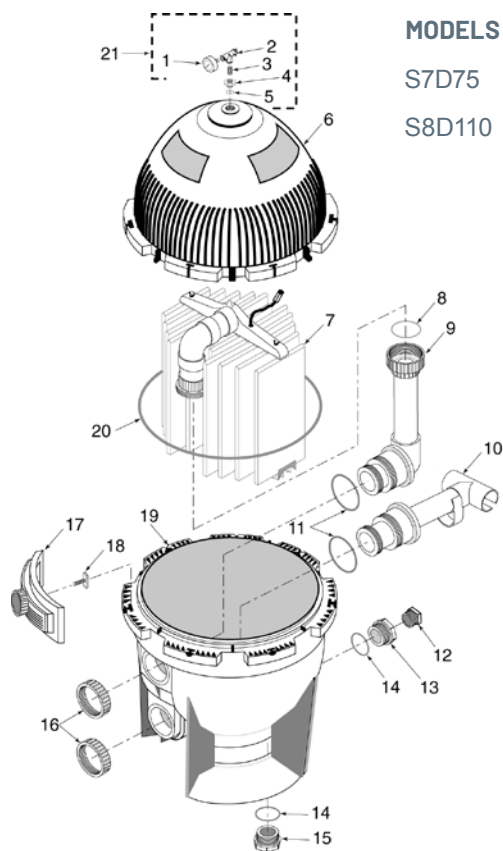
¹ Includes Item Nos. 7, 8, 9, 10.

² Filters manufactured before 2005 should replace the top and bottom together.



SYSTEM:3® D.E. FILTERS

SD SERIES REPLACEMENT PARTS



MODELS

S7D75

S8D110

Item	Part No.	Description	US List	Can. List
SYSTEM:3 D.E. FILTERS				
1	33600-0023T	2 in. Gauge	49.49	59.47
2	154689Z	Air Release Valve	31.43	37.77
3	35202-0959	Nipple	14.52	17.45
4	24900-0504	Adapter Bushing	19.34	23.24
5	35505-1423	O-Ring	2.07	2.49
6	24851-9000	Upper Tank Shell Kit, S7D75	1036.23	1245.13
6	24851-9001	Upper Tank Shell Kit, S8D110	1274.60	1531.56
7	23900-1220S	Filter Assembly, S7D75	1253.15	1505.79
7	23900-1221S	Filter Assembly, S8D110	1619.63	1946.15
8	U9-362	O-Ring	5.41	6.50
9	23911-0102	Outlet Assembly	146.35	175.85
10	23911-0100	Inlet Assembly, S7D75	107.73	129.45
10	23911-0101	Inlet Assembly, S8D110	109.26	131.29
11	35505-1425	O-Ring	16.01	19.24
12	27001-0022	1-1/2 in. NPT Plug	3.06	3.68
13	24900-0509	Adapter Fitting	29.75	35.75
14	35505-1424	O-Ring	9.60	11.54
15	24900-0503	Drain Plug	29.58	35.54
16	24752-0050	Bulkhead Retaining Nut	25.55	30.70
17	24850-0200	Clamp Assembly ¹	135.29	162.56
18	24850-0010	Clamp Bolt ¹	32.76	39.36
19	24850-0102S	Lower Tank Shell, S7D75	1157.14	1390.42
19	24851-0103S	Lower Tank Shell, S8D110	1307.43	1571.01
20	24850-0008	Cord Ring, S7D75	66.32	79.69
20	24850-0009	Cord Ring, S8D110	75.88	91.18
21	24850-0105	Valve & Gauge Assembly (Includes #8, 9, 11, 16)	103.56	124.44
NOT SHOWN				
	24850-0016	Clamp Retaining Ring	6.97	8.38
	U212-252DS	Brass Deluxe Air Bleed (optional)	CALL	CALL
	25021-1021	System3 DE Conversion Kit (Includes #8, 9, 10, 11, 16) - S7D75 - should also purchase item #7 separately.	355.00	426.57
	25021-1025	System3 DE Conversion Kit (Includes #8, 9, 10, 11, 16) - S8D110 - should also purchase item #7 separately.	355.00	426.57

CALIFORNIA PROPOSITION 65 WARNING

⚠️ **WARNING:** Cancer and Reproductive Harm.
 ⚠️ **AVERTISSEMENT:** Peut Causer le Cancer et des Dommages au Système Reproducteur.
 ⚠️ **ADVERTENCIA:** Cáncer y Daño Reproductivo.

www.p65warnings.ca.gov. P8-20151A

¹ Model S7D75 uses seven (7) clamps and bolts; Model S8D110 uses eight (8).

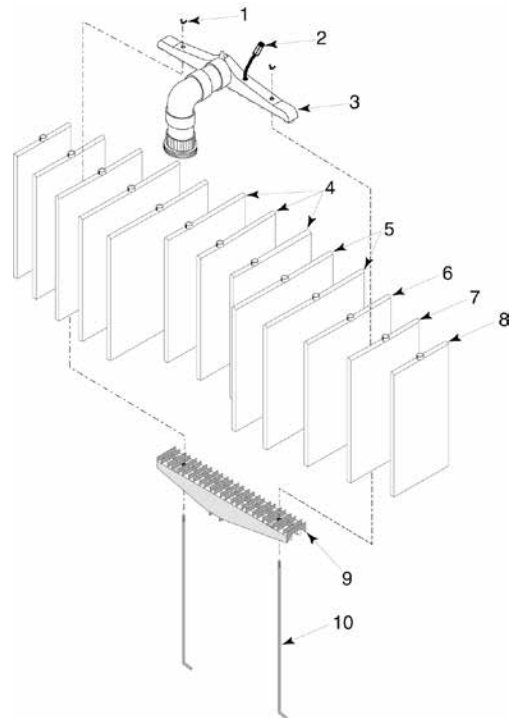
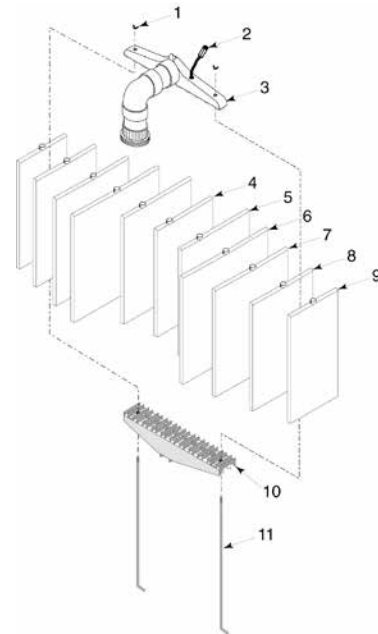
SYSTEM:3® D.E. FILTER ELEMENT ASSEMBLIES

SD SERIES REPLACEMENT PARTS



Item	Part No.	Description	US List	Can. List
FILTER ELEMENT ASSEMBLY FOR S7D75				
1	35402-0074Z	Wing Nut (2 req.)	15.86	19.06
2	24800-0120	Air Bleed Assembly	22.86	27.47
3	24800-0100	Manifold	188.76	226.81
4	23900-1171	Covered Element 12-7/16 in. (1 req.)	74.80	89.88
5	23900-1170	Covered Element 13-13/16 in. (2 req.)	76.08	91.42
6	23900-0033	Covered Element 16-1/2 in. (2 req.)	81.82	98.31
7	23900-1174	Covered Element 15-3/16 in. (2 req.)	78.82	94.71
8	23900-1175	Covered Element 12-7/16 in. (2 req.)	74.80	89.88
9	23900-1173	Covered Element 9-11/16 in. (2 req.)	69.05	82.97
10	23900-0350	Element Grid Support	50.29	60.43
11	23900-0039	Rod (2 req.)	39.16	47.05

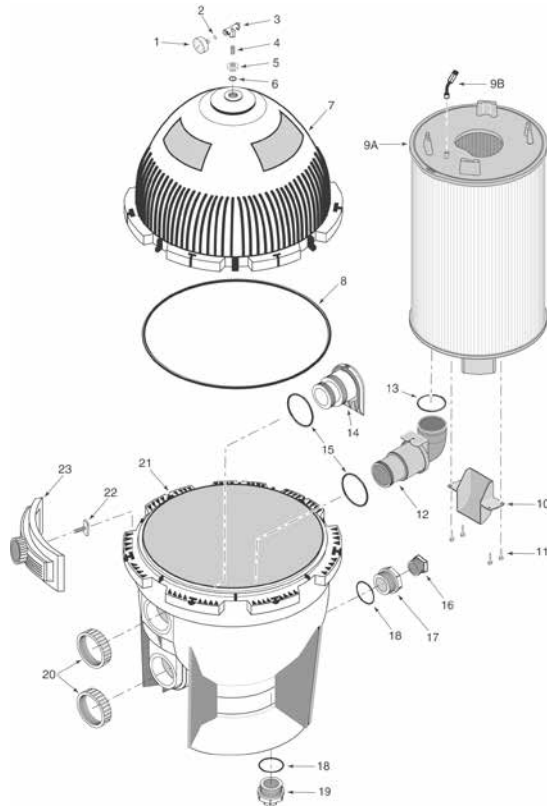
FILTER ELEMENT ASSEMBLY FOR S8D110				
1	35402-0074Z	Wing Nut (2 req.)	15.86	19.06
2	24800-0120	Air Bleed Assembly	22.86	27.47
3	24801-0101	Manifold	194.76	234.02
4	23900-1172	Covered Element 16-1/2 in. (3 req.)	98.34	118.17
5	23900-0144	Covered Element 19-5/16 in. (4 req.)	143.43	172.35
6	23900-0033	Covered Element 16-1/2 in. (2 req.)	81.82	98.31
7	23900-1174	Covered Element 15-3/16 in. (2 req.)	78.82	94.71
8	23900-0032	Covered Element 11 in. (2 req.)	68.68	82.53
9	23901-0350	Element Grid Support	53.51	64.30
10	23900-0039	Rod (2 req.)	39.16	47.05



CALIFORNIA PROPOSITION 65 WARNING
 ⚠️ **WARNING:** Cancer and Reproductive Harm.
 ⚠️ **AVERTISSEMENT:** Peut Causer le Cancer et des Dommages au Système Reproducteur.
 ⚠️ **ADVERTENCIA:** Cáncer y Daño Reproductivo.
www.p65warnings.ca.gov P650074A

SYSTEM:3® MODULAR D.E. FILTERS

SMD SERIES REPLACEMENT PARTS



Item	Part No.	Description	US List	Can. List
SYSTEM:3 MODULAR D.E. FILTERS				
1	33600-0023T	2 in. Gauge	49.49	59.47
3	154689Z	Air Release Valve	31.43	37.77
4	35202-0959	Close Nipple, 1/4 in.	14.52	17.45
5	24900-0504	Adapter Bushing	19.34	23.24
6	35505-1423	O-Ring	2.07	2.49
7	24851-9000	Upper Tank Shell Kit ¹	1036.23	1245.13
8	24850-0008	Tank O-Ring	66.32	79.69
9A	25023-0160S	Replacement Module	654.15	786.03
9A	25023-0172S	Replacement Module	1084.19	1302.76
9B	24800-0120	Air Bleed Assembly ²	22.86	27.47
10	23910-0013S	Baffle Kit (with Screws) ²	37.10	44.58
11	37207-0728	Baffle Screws ²	CALL	CALL
12	23910-0100S	Elbow and Bulkhead Assembly ³	129.87	156.05
13	35505-7438	O-Ring	10.04	12.06
14	23910-0101S	Deflector and Bulkhead Assembly	86.58	104.03
15	35505-1425	O-Ring	16.01	19.24
16	27001-0022	1-1/2 in. Plug with O-Ring	3.06	3.68
17	24900-0509	Adapter Fitting	29.75	35.75
18	35505-1424	O-Ring	9.60	11.54
19	24900-0503	Drain Plug	29.58	35.54
20	24752-0050	Bulkhead Retaining Nut	25.55	30.70
21	24850-0102S	Lower Tank Shell	1157.14	1390.42
22	24850-0010	Clamp Bolt	32.76	39.36
23	24850-0200	Clamp Assembly	135.29	162.56
NOT SHOWN				
	23910-1100S	System:3 Modular DE Conversion Kit (Includes Key #'s 12, 13, 14, 15, 16) - must also buy Item 9A separately	197.93	237.83

¹ Includes all decals and labels.

² Included with Key No. 9A Replacement Module.

³ Includes O-Ring (Key No. 13).

CALIFORNIA PROPOSITION 65 WARNING

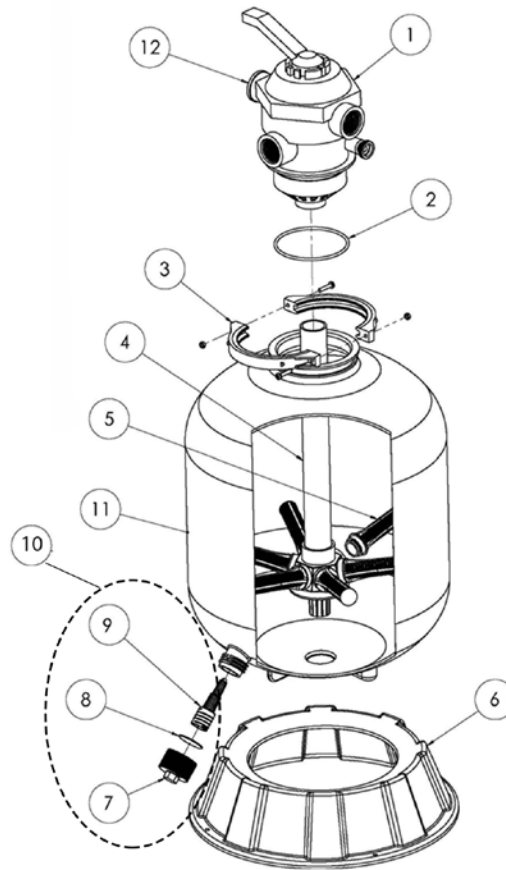
▲ **WARNING:** Cancer and Reproductive Harm.
▲ **AVERTISSEMENT:** Peut Causer le Cancer et des Dommages au Système Reproducteur.
▲ **ADVERTENCIA:** Cáncer y Daño Reproductivo.

www.p65warnings.ca.gov

PN 20211A

SAND DOLLAR® FILTERS

REPLACEMENT PARTS FOR BLOW MOLDED FILTERS



Item	Part No.	Description	US List	Can. List
SAND DOLLAR SAND FILTERS				
1	262506	Valve 1-1/2 in. 6-way	CALL	CALL
1	263085	Valve 2 in.	CALL	CALL
1	262525	Valve 2 in. with unions	CALL	CALL
2	272541	O-ring valve body	8.80	10.57
3	152165	Assembly, plastic clamp 2 piece	26.97	32.41
4	155504	Piping assembly SD35, dim D = 16 in.	54.42	65.39
4	152229	Pipe assembly SD35 ²	135.18	162.43
4	155062	Piping assembly SD40, dim D = 20-1/8 in.	52.24	62.77
4	152228	Pipe assembly SD40 ²	124.80	149.96
4	155532	Piping assembly SD60, dim D = 25-1/4 in.	131.82	158.39
4	152227	Pipe assembly SD60 ²	145.09	174.34
4	152000	Pipe assembly, SD70	144.37	173.47
4	152226	Pipe assembly SD80	113.75	136.68
4	152238	Pipe assembly SD80 2 in.	120.49	144.78

CALIFORNIA PROPOSITION 65 WARNING

⚠ **WARNING:** Cancer and Reproductive Harm.
 ⚠ **AVERTISSEMENT:** Peut Causer le Cancer et des Dommages au Système Reproducteur.
 ⚠ **ADVERTENCIA:** Cáncer y Daño Reproductivo.

www.p65warnings.ca.gov
PH201714

SAND DOLLAR® FILTERS

REPLACEMENT PARTS FOR BLOW MOLDED FILTERS

Item	Part No.	Description	US List	Can. List
SAND DOLLAR SAND FILTERS				
5	155007	Lateral 5, 11/32 in. long, almond, SD35, 8 req.	7.90	9.49
5	152290Z	Lateral 6, 11/16 in. long, almond, SD40/SD60, 8 req.	8.27	9.94
5	150084	Lateral, SD35, SD40, black ²	7.51	9.02
5	150085	Lateral XLong, SD60, SD70, SD80, black ²	9.43	11.33
5	150088	Lateral, ClearPro 6 req	116.90	140.47
6	154926	Foot, SD35	107.87	129.62
6	154520	Foot, SD40, SD60, SD70, & SD80 ¹	111.18	133.59
7	154712Z	Drain Cap	38.36	46.09
8	154715	Gasket	6.25	7.51
9	154711	Drain	18.42	22.13
10	150055	Complete Drain Assembly	56.39	67.76
11	145339	Tank with drain SD35, almond	308.18	370.31
11	145341	Tank with drain SD40, almond	408.85	491.27
11	145343	Tank with drain SD60, almond	566.06	680.18
11	145368	Tank with drain SD70, almond	662.96	796.61
11	145334	Tank with drain SD80, almond	804.46	966.64
12	190059Z	Gauge, pressure	47.34	56.88
NOT SHOWN				
	272569	Kit Union for 2 in. Valve	CALL	CALL
	150119	Kit Union for 1-1/2 in. Valve	82.18	98.75

¹ Used on filters manufactured before 2/02.

² Filters manufactured after 10/04.

CALIFORNIA PROPOSITION 65 WARNING

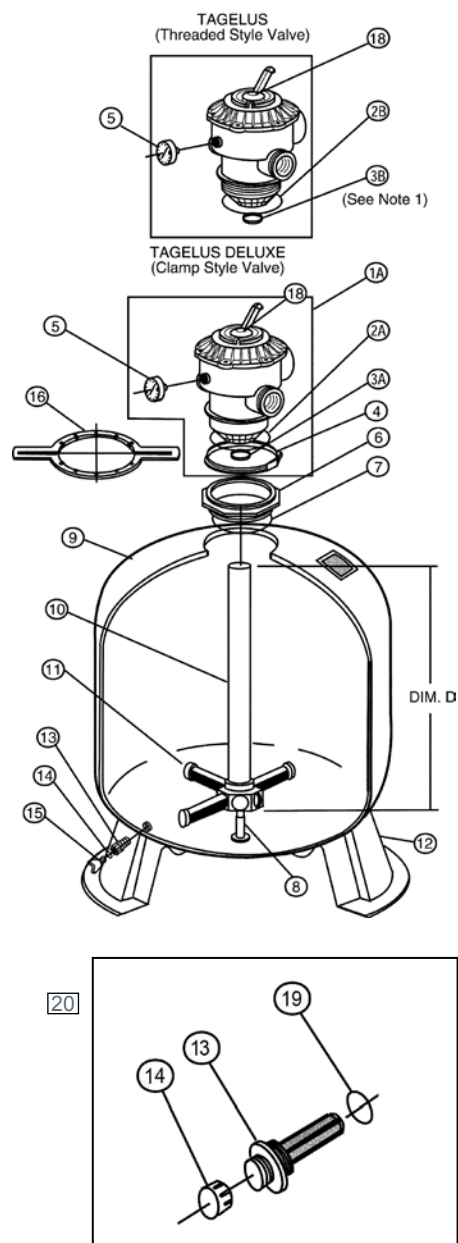
WARNING: Cancer and Reproductive Harm.
AVERTISSEMENT: Peut Causer le Cancer et des Dommages au Système Reproducteur.
ADVERTENCIA: Cáncer y Daño Reproductivo.

www.p65warnings.ca.gov

TAGELUS® FILTERS

REPLACEMENT PARTS FOR FIBERGLASS FILTERS

Item	Part No.	Description	US List	Can. List
TAGELUS FILTERS WITH THD. & CLAMP VALVES				
1A	262506	Valve, 1-1/2 in. 6-way clamp style ^{1, 4, 6, 8, 10}	CALL	CALL
1A	261185	Valve, 2 in. 6-way clamp style ^{11A, 11B}	CALL	CALL
1A	262525	Valve, 2 in. for TA60 with unions	CALL	CALL
1B	261124	Valve, 1-1/2 in. 6-way "V" thread -TA, ¹⁷	CALL	CALL
2A	272541	O-ring valve body, 3/16 in. x 4-3/4 in. i.d. ^{2, 4, 6, 8, 10}	8.80	10.57
2A	275333	O-ring valve body, 3/16 in. x 6-1/2 in. i.d. ^{11A, 11B}	7.48	8.99
2B	154493	O-ring valve body, .157 in. x 5.75 in. i.d. ^{1, 3, 5, 7, 9}	5.84	7.02
3A	355330	O-ring standup, 1/8 in. x 2-3/8 in. i.d. ^{11A, 11B}	1.95	2.34
3B	155064	O-ring standup, 1/8 in. x 1-7/8 in. i.d. ^{1, 3, 5, 7, 9, 12}	1.32	1.59
4	152165	Clamp, 6-1/2 in. dia. SS, plastic ^{2, 4, 6, 8, 10}	26.97	32.41
4	152130	Clamp, 8.35 in. dia. ^{11A, 11B}	114.39	137.45
5	190059Z	Gauge back mount pressure	47.34	56.88
6	152520Z	Adapter, Quad Seal	118.66	142.58
6	155225	Adapter, 6 in. "V" thread ^{2, 6, 8, 10, 15, 19}	41.89	50.34
6	154521	Adapter, 8-1/2 in. btr. thread ^{11A, 11B}	74.48	89.50
7	154494	O-ring valve adptr., 1/8 in. x 6-1/4 in. i.d. ^{2, 4, 6, 8, 10}	CALL	CALL
7	355619Z	O-ring valve adptr., 3/16 in. x 7-3/4 in. i.d. ^{11A, 11B}	11.92	14.32
7	152516	Quad Seal	5.83	7.01
8	155002	Stabilizer, center pipe	22.22	26.70
9	155276	Tank & ft. assembly w/ valve adptr. ^{6, 13, 18, 19}	1156.27	1389.37
9	155279	Tank & ft. assembly w/ valve adptr. ^{8, 13, 18, 19}	1176.59	1413.79
9	155269	Tank & ft. assembly w/ valve adptr. ^{10, 13, 18, 19}	1301.28	1563.62
9	155324	Tank & ft. assembly w/ valve adptr. ^{11A, 11B, 13, 18, 19}	1869.95	2246.93
9	155342	Tank & ft. assembly btr. thread style ^{5, 16, 17}	1123.28	1349.73
9	155343	Tank & ft. assembly btr. thread style ^{7, 16, 17}	1142.10	1372.35
9	155358	Tank & ft. assembly btr. thread style ^{9, 16, 17}	928.63	1115.84
10	155060	Piping assembly, (dim. D = 12-7/8 in.) ^{1, 2}	49.02	58.90
10	153455	Piping assembly, (dim. D = 14-7/8 in.) ^{3, 4}	51.51	61.89
10	155061	Piping assembly, (dim. D = 17-3/4 in.) ^{5, 6}	51.27	61.61
10	155062	Piping assembly, (dim. D = 19-7/8 in.) ^{7, 8}	52.24	62.77
10	155063	Piping assembly, (dim. D = 22-5/8 in.) ^{9, 10}	53.16	63.88
10	155340	Piping assembly, less hub, (dim. D = 27-1/4 in.) ^{11A, 11B}	49.54	59.53
10	155323	Piping assembly, w/ hub, (dim. D = 27-1/4 in.) ^{11A, 11B}	111.24	133.67
10	155299	Piping assembly, w/ hub, w/ 1/4 turn lateral ^{10, 20}	52.65	63.26
10	152237	Piping assembly, w/ hub, TA60 2 in.	116.64	140.15



Detail A., after 12/1/91
6 in. btr. Thread.



Detail B., before 12/1/91
6 in. "V" Thread.

TAGELUS® FILTERS (CONT'D)

REPLACEMENT PARTS FOR FIBERGLASS FILTERS

Item	Part No.	Description	US List	Can. List
TAGELUS FILTERS WITH THREAD & CLAMP VALVES				
11	155007	Lateral, 5-11/32 in. long, 8 req. ^{1, 2, 3, 4}	7.90	9.49
11	152290Z	Lateral, 6-11/16 in. long, 8 req. ^{5, 9, 6, 10}	8.27	9.94
11	152202Z	Lateral, 9-1/8 in. long ^{11A, 11B}	11.34	13.63
11	150085	Lateral, 1/4 turn, 6 req. ^{7, 8, 10, 20}	9.43	11.33
11	150088	Lateral, ClearPro - 6 req	116.90	140.47
12	154926	Foot tank ^{3, 5, 7, 9, 4, 6, 8, 10}	107.87	129.62
12	154596	Foot tank ^{11A, 14}	163.82	196.85
13	154698	Spigot, 3/4 in. NPT sand drain ^{2, 4, 6, 8, 10}	28.74	34.53
13	152220Z	Spigot, 2 in. NPT sand drain ^{11A} (Left-hand thread)	48.66	58.47
14	192115Z	O-ring drain plug, 1/16 in. x 1/2 in. i.d.	1.39	1.67
14	154871	2 in. drain cap (1-1/2 in. threads) ^{11A, 11B}	9.28	11.15
15	357161	Plug, 1/4 in. NPT drain	4.42	5.31
16	154512	Wrench, 6-1/2 in. across flats ^{2, 6, 8, 10}	28.36	34.08
16	151608	Wrench, 9 in. across flats ¹⁴	CALL	CALL
18	272599	Label top mount valve	6.29	7.56
19	274494	Sand drain O-ring TA100	5.32	6.39
20	152220Z	Drain assy for TA100/TR100/TR140	48.66	58.47
NOT SHOWN				
	154402	Tape ft. mounting, ¹⁻¹⁰	7.11	8.54
	154407	Tape ft. mounting, ^{11A, 11B}	9.76	11.73
	155051	Sand guide only ^{11A, 11B}	7.86	9.44
	150119	Union Kit 1-1/2 in. Valve	82.18	98.75
	272569	Union Kit 2 in. Valve for TA 60D 2" only	CALL	CALL

¹ TA 30
² TA 30D
³ TA 35
⁴ TA 35D
⁵ TA 40
⁶ TA 40D
⁷ TA 50
⁸ TA 50D
⁹ TA 60
¹⁰ TA 60D
^{11A}TA 100
^{11B}TA 100D

¹² Item 3A O-ring, standpipe is used on model TA100D Filters only. Item 3B O-ring, standpipe is used on Tagelus Filter models TA30, 40, 50, 60, manufactured before April, 1993. Item 3B is not used on Tagelus Clamp Filter models TA30D, 35D, 40D, 50D, 60D or on any Tagelus models manufactured after April, 1993.

¹³ Tagelus Clamp Filter models tank & ft. assembly have valve adptr., Item 6 factory installed.

¹⁴ Replacement of tank ft. requires the use of mounting tape. See part number listed.
¹⁵ Lubricate O-ring liberally w/ silicone lubricant and tighten to following spec: TA30D, 35D, 40D, 50D, 60D. Handtight plus 1/4 turn min. TA100 D Handtight plus 3/4 turn min.
¹⁶ Tagelus Filter models TA30, 35, 40, 50, 60 manufactured after Nov. 1, 1991 were manufactured w/a btr. thread top opening and utilize a btr. style valve which is black in color. A change was made to the port arrangement in April, 1993 which will require that minor changes be made to the valve plumbing connections when replacing valves on filters manufactured between Nov. 1991 and Mar. 1993. DO NOT ATTEMPT TO INTERCHANGE THREAD TYPES.
¹⁷ Tagelus Filter models TA30, 40, 50, 60 manufactured before Nov. 1, 1991 were manufactured w/a "V" thread style valve that is white or brown in color. These valves may be replaced only w/ "V" thread style valve P/N 261124, see Detail B. DO NOT ATTEMPT TO INTERCHANGE THREAD TYPES.

¹⁸ Tagelus Clamp Filter models TA30D, 35D, 40D, 50D, 60D manufactured after Nov. 1, 1991 were manufactured w/a btr. thread top opening and utilize a btr. thread valve adptr. P/N 154555, see Detail A. DO NOT ATTEMPT TO INTERCHANGE THREAD TYPES.
¹⁹ Tagelus Clamp Filter models TA30D, 40D, 50D, 60D manufactured before Nov. 1, 1991 were manufactured w/a "V" thread top opening and utilize a "V" thread valve adptr. P/N 155225, see Detail B. DO NOT ATTEMPT TO INTERCHANGE THREAD TYPES.
²⁰ TA60D Filters manufactured after June 1, 2007 have new 1/4 turn laterals.

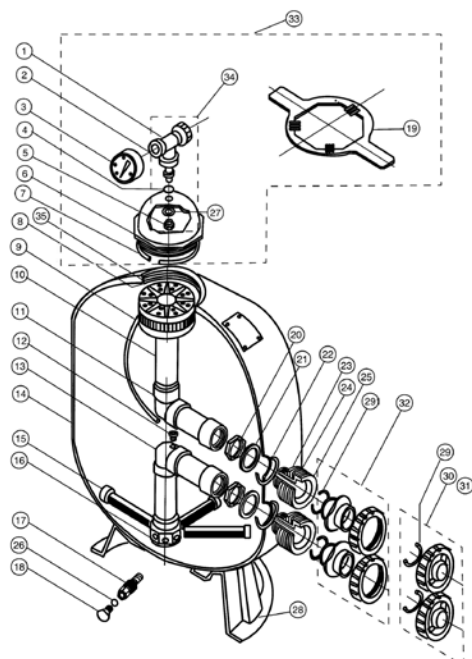
CALIFORNIA PROPOSITION 65 WARNING

▲ **WARNING:** Cancer and Reproductive Harm.
▲ **AVERTISSEMENT:** Peut Causer le Cancer et des Dommages au Système Reproducteur.
▲ **ADVERTENCIA:** Cáncer y Daño Reproductivo.

www.p65warnings.ca.gov. PR020114

TRITON® II FILTERS

REPLACEMENT PARTS FOR FIBERGLASS FILTERS



Item	Part No.	Description	US List	Can. List
TRITON II SAND FILTERS				
1	154689Z	Air bleeder/tee assembly ¹³	31.43	37.77
2	154700	Adapter, brass air bleeder ¹³	13.05	15.68
3	190059Z	Gauge, back mount pressure ¹³	47.34	56.88
4	154661	O-ring, air bleeder adapter ¹³	1.95	2.34
5	154664	Nut, 3/8 in., 16 SS ¹³	1.89	2.27
6	152519Z		118.66	142.58
6	154559	Closure 6 in. "V" thread, black, see Detail B ¹³	60.73	72.97
7	154493	O-ring closure, 6 in., white ¹³	5.84	7.02
7	152516	Quad Seal	5.83	7.01
8	154578	Strainer air relief, 1/4 in. ³	15.34	18.43
8	150035	Strainer air relief, 3/8 in. ⁴	10.43	12.53
9	154435	Tube air relief TR40 ³	18.14	21.80
9	150039	Tube air relief TR40 ⁴	21.32	25.62
9	154436	Tube air relief TR50/60 ³	18.14	21.80
9	150040	Tube air relief TR50/60 ⁴	21.32	25.62
9	154437	Tube air relief TR100 ³	19.76	23.74
9	150041	Tube air relief TR100 ⁴	16.80	20.19
9	154438	Tube air relief TR140 ³	25.54	30.69
9	150042	Tube air relief TR140 ⁴	15.64	18.79
10	154598	Diffuser assembly TR40/50	56.70	68.13
10	154599	Diffuser assembly TR60	56.70	68.13
10	154462	Diffuser assembly TR100	56.70	68.13
10	154906	Diffuser assembly TR140	58.37	70.14
11	154803	Piping assembly upper TR40	63.69	76.53

Item	Part No.	Description	US List	Can. List
11	156814	Piping assembly upper TR50	50.99	61.27
11	154533	Piping assembly upper TR60	49.19	59.11
11	154426	Piping assembly upper TR100	85.29	102.48
11	154500	Piping assembly upper TR140	53.80	64.65
12	154441	Connector air relief tube ³	CALL	CALL
12	150036	Connector air relief tube ⁴	1.69	2.03
13	154801	Piping assembly lower TR40	76.82	92.31
13	156816	Piping assembly lower TR50	60.93	73.21
13	154805	Piping assembly lower TR60	59.32	71.28
13	155284	Piping assembly lower TR60 ¹⁴	99.44	119.49
13	154807	Piping assembly lower TR/ PF100	61.00	73.30
13	154489	Piping assembly lower TR140	62.87	75.54
14	154636	Tank & ft. assembly TR40, 6 in. btr. thd., Almond, Detail A	1102.76	1325.08
14	154637	Tank & ft. assembly TR50, 6 in. btr. thd., Almond, Detail A	1121.49	1347.58
14	154638	Tank & ft. assembly TR60, 6 in. btr. thd., Almond, Detail A	1262.78	1517.36
14	154639	Tank & ft. assembly TR100, 8-1/2 in. btr. thd., Almond, Detail A	1763.50	2119.02
14	154640	Tank & ft. assembly TR140, 8-1/2 in. btr. thd., Almond, Detail A	2594.46	3117.50

CALIFORNIA PROPOSITION 65 WARNING

▲ **WARNING:** Cancer and Reproductive Harm.
 ▲ **AVERTISSEMENT:** Peut Causer le Cancer et des Dommages au Système Reproducteur.
 ▲ **ADVERTENCIA:** Cáncer y Daño Reproductivo.

www.p65warnings.ca.gov
P65-2014

TRITON® II FILTERS (CONT'D)

REPLACEMENT PARTS FOR FIBERGLASS

Item	Part No.	Description	US List	Can. List
TRITON II SAND FILTERS				
14	156224	Tank & ft. assembly TR100HD btr. thread, black HD	1952.44	2346.05
15	152290Z	Lateral, 6-11/16 in. L TR40/50/60, 8 req.	8.27	9.94
15	150085	Lateral TR60 Gray. 1/4 turn ¹⁴	9.43	11.33
15	152202Z	Lateral, 9-1/8 in. L TR100, 8 req. ⁶	11.34	13.63
15	154540Z	Lateral, 12 in. L TR140, 8 req.	22.68	27.25
15	150088	Lateral, ClearPro	116.90	140.47
16	154763	Hub lateral TR40/50/60	34.67	41.66
16	155753	Hub lateral, ClearPro- 6 req ¹⁴	47.49	57.06
16	154453	Hub lateral TR100/140	116.11	139.52
17	154698	Spigot, 3/4 in. NPT sand drain ⁸	28.74	34.53
18	357161	Plug, 1/4 in. NPT drain ⁸	4.42	5.31
18	U178-920P	Drain Plug Assy	3.67	4.41
19	154512	Wrench, 6 in. closure ¹³	28.36	34.08
19	154510	Wrench closure aluminum, 6 in. ¹³	213.06	256.01
20	154412	Locknut, 2 in. internal, 2 req.	10.82	13.00
21	154416	Spacer, 2 in. internal, 2 req.	15.77	18.95
22	154492	O-ring, 2 in. bulkhead, 2 req.	2.88	3.46
23	154408	Spacer, 2 in. external, 2 req.	15.77	18.95
24	154538	Gasket, 2 in. bulkhead, 2 req.	2.36	2.84
25	154405	Bulkhead, 2 in., 2 req.	81.06	97.40
26	192115Z	O-ring drain plug ⁸	1.39	1.67
27	154418	Washer, 3/8 in. SS ¹³	1.32	1.59
28	154926	Foot, 16 in. dia., TR40/50 ^{2, 11}	107.87	129.62
28	154520	Foot, 19 in. dia., TR60 ^{2, 11}	111.18	133.59
28	154596	Foot, 24 in. dia., TR100/140 ^{2, 11}	163.82	196.85
29	274494	O-ring valve adptr., 2 req.	5.32	6.39
30	271092	2 in. Thread adapter. kit ⁹	67.24	80.80
31	271094	1-1/2 in. Thread adapter. kit ⁹	67.24	80.80
32	271096	2 in. Slip adapter. kit ⁹	67.24	80.80
32	274426	Adapter Kit, 1-1/2 in. x 2 in.	CALL	CALL
33	155738	Kit closure, 8-1/2 in HD	267.48	321.40
33	154641	Kit closure, 6 in. btr. thread, black, Detail A ¹³	215.25	258.64
33	154697	Kit closure, 6 in. "V" thread, tan, Detail B ¹³	209.03	251.17
33	154856	Kit closure, 8-1/2 in. btr. thread, black ^{10, 13}	267.90	321.91
34	154687	Fitting package complete ^{12, 13}	53.28	64.02
35	154611	Spacer air vent strainer, 3-3/4 in., TR40	7.11	8.54
35	154612	Spacer air vent strainer, 4-1/2 in., TR50/60	7.11	8.54
35	154613	Spacer air vent strainer, 5-1/2 in., TR100	7.11	8.54
35	154614	Spacer air vent strainer, 5 in., TR140	7.11	8.54
NOT SHOWN				
	154402	Tape ft. mounting TR40/50/60, 3 req.	7.11	8.54
	154407	Tape ft. mounting TR100/140, 3 req.	9.76	11.73
	151602	Bulkhead wrench, 2 in.	314.04	377.35
	154714	Bulkhead kit include items 20-25	168.96	203.02
	151092	Aluminum wrench, 8-1/2 in.	515.27	619.15
	152220Z	Sand drain, 2 in. (used on TR100 and TR140) (Left-hand thread)	48.66	58.47
	154871	Cap thd., 1-1/2 in.	9.28	11.15
	274494	Sand drain O-ring TA100 (used on TR100 and (TR140)	5.32	6.39

Filters manufactured after Dec 1, 1991 utilize a 6 in. btr. thread in the filter tank top opening and on the closure, see Detail A.

Filters manufactured before Dec 1, 1991 utilize a 6 in. "V" type thread, see Detail B.

6 in. closures in Detail A and B are NOT interchangeable.



Detail A after 12/1/91
6 in. btr. Thread.



Detail B before 12/1/91
6 in. "V" Thread.

- ¹ Used on filters manufactured before 2-89.
- ² Used on filters manufactured after 2-89.
- ³ All filters manufactured before 11-1-99.
- ⁴ Used on filters manufactured after 11-1-99.
- ⁵ Used on filters manufactured before 5-85.
- ⁶ Used on filters manufactured after 5-85.
- ⁷ Used on filters manufactured before 3-83.
- ⁸ Used on filters manufactured after 3-83.
- ⁹ For installations w/out valve, pair.
- ¹⁰ Used on all TR100 & 140 filters manufactured after 10-1-01.
- ¹¹ Replacement of tank foot requires the use of foot mounting tape. See P/N's.
- ¹² Fitting package includes items 1,2,4,5 and 27.
- ¹³ For individual parts for closure kit for TR100 and TR140 see replacement parts pages.
- ¹⁴ For TR60's built after 6-07.

CALIFORNIA PROPOSITION 65 WARNING

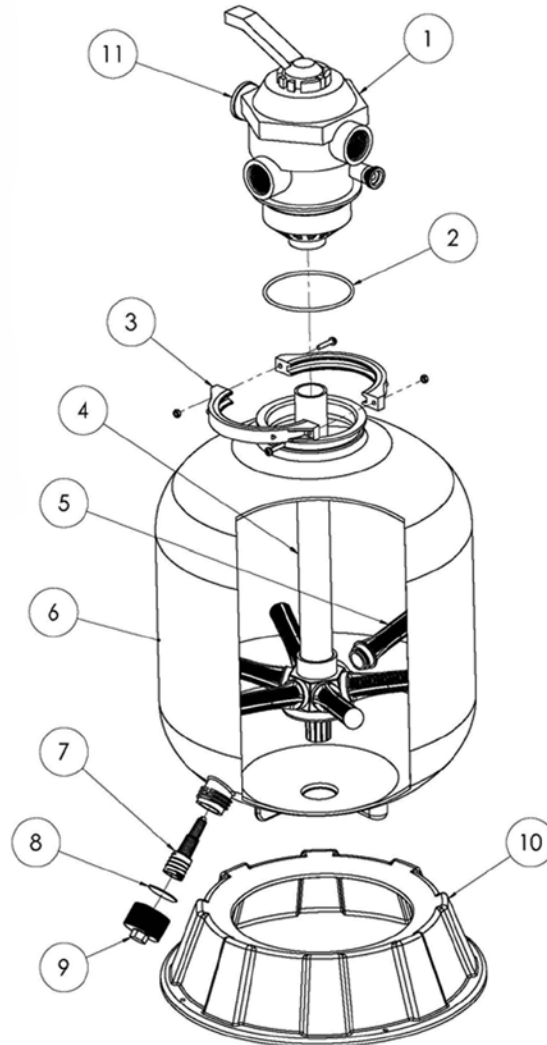
▲ **WARNING:** Cancer and Reproductive Harm.
▲ **AVERTISSEMENT:** Peut Causer le Cancer et des Dommages au Systeme Reproducteur.
▲ **ADVERTENCIA:** Cáncer y Daño Reproductivo.
www.p65warnings.ca.gov

CRISTAL-FLO™ II HIGH-RATE SAND FILTERS

REPLACEMENT PARTS



Item	Part No.	Description	US List	Can. List
CRISTAL-FLO II HIGH-RATE SAND FILTERS				
1	262506	Valve, 1-1/2 in. 6-Way	CALL	CALL
1	262525	Valve, 2 in. with unions	CALL	CALL
2	272541	O-Ring Valve Body	8.80	10.57
3	152165	Clamp Assembly	26.97	32.41
4	152229	Piping Assembly – 16 in. Tank	135.18	162.43
4	152228	Piping Assembly – 19 in. Tank	124.80	149.96
4	152227	Piping Assembly – 22 in. Tank	145.09	174.34
4	152000	Piping Assembly – 24 in. Tank	144.37	173.47
4	152226	Piping Assembly – 26 in. Tank	113.75	136.68
4	152238	Piping Assembly – CFII 26 - 2 in.	120.49	144.78
5	150084	Lateral – 16 in. & 19 in. Tanks (6 req.)	7.51	9.02
5	150085	Lateral – 22 in., 24 in., & 26 in. Tanks (6 req.)	9.43	11.33
6	145364	Tank w/ Drain – 16 in. Tank	298.16	358.27
6	145365	Tank w/ Drain – 19 in. Tank	395.53	475.27
6	145366	Tank w/ Drain – 22 in. Tank	547.65	658.06
6	145369	Tank w/ Drain – 24 in. Tank	662.96	796.61
6	145370	Assembled Tank w/ Drain – 26 in. Tank	778.27	935.17
7	154711	Sand Drain	18.42	22.13
8	154715	Gasket (Sand Drain)	6.25	7.51
9	154712Z	Drain Cap	38.36	46.09
10	154926	Foot, 16 in. Tank	107.87	129.62
10	154520	Foot, 19 in., 22 in., 24 in., & 26 in. Tanks	111.18	133.59
11	190059Z	Pressure Gauge	47.34	56.88
12	150055	Kit Drain Assy (Incl. #7, 8, 9)	56.39	67.76
NOT SHOWN				
	155151	Kit, Flex Hose, 6 ft.	108.80	130.73
	155005	Kit, Flex Hose, 12 ft.	143.58	172.53
	150119	Union Kit for 1-1/2 in. Valve	82.18	98.75
	272569	Union Kit for 2 in. Valve	CALL	CALL



CALIFORNIA PROPOSITION 65 WARNING

⚠ **WARNING:** Cancer and Reproductive Harm.
 ⚠ **AVERTISSEMENT:** Peut Causer le Cancer et des Dommages au Système Reproducteur.
 ⚠ **ADVERTENCIA:** Cáncer y Daño Reproductivo.

www.p65warnings.ca.gov. PR020174

SYSTEM:3® SAND FILTERS

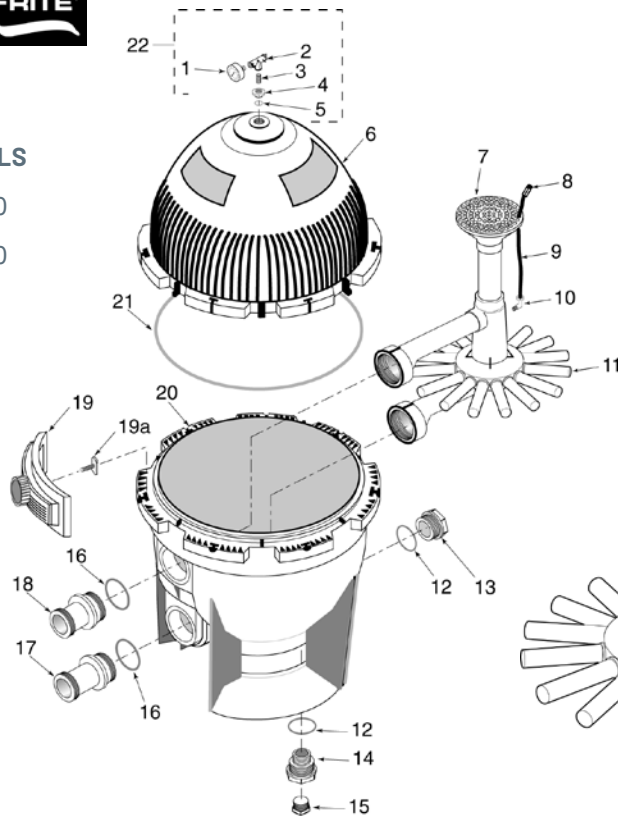
SS SERIES REPLACEMENT PARTS



MODELS

S7S50

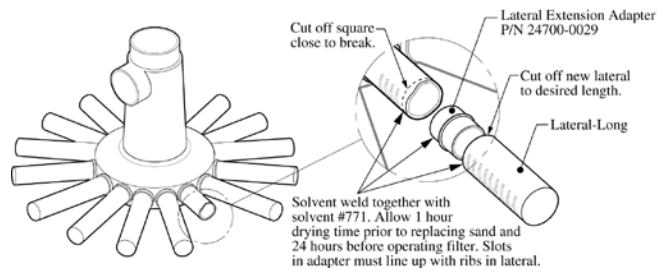
S8S70



Lateral repair procedure.

⚠ WARNING To avoid serious personal injury or property damage, follow cement manufacturer's instructions exactly.

CALIFORNIA PROPOSITION 65 WARNING
 ⚠ **WARNING:** Cancer and Reproductive Harm.
 ⚠ **AVERTISSEMENT:** Peut Causer le Cancer et des Dommages au Système Reproducteur.
 ⚠ **ADVERTENCIA:** Cáncer y Daño Reproductivo.
www.p65warnings.ca.gov PN 201714



Item	Part No.	Description	US List	Can. List
SYSTEM:3 SAND FILTERS				
1	33600-0023T	2 in. Gauge	49.49	59.47
2	154689Z	Valve Assembly	31.43	37.77
	• U212-252DS	Brass Deluxe Air Bleed (optional)	CALL	CALL
3	35202-0959	Nipple	14.52	17.45
4	24900-0504	Adapter Bushing	19.34	23.24
5	35505-1423	O-Ring	2.07	2.49
6	24851-9000	Tank - Upper Half Kit ² - Model S7S50	1036.23	1245.13
6	24851-9001	Tank - Upper Half Kit ² - Model S8S70	1274.60	1531.56
7	24900-0100S	Collector - Assembly (Includes Laterals) - Model S7S50	667.35	801.89
7	24901-0100S	Collector - Assembly (Includes Laterals) - Model S8S70	690.68	829.92
8	WC8-126Z	Air Bleed Filter (Blue)	15.90	19.11
9	WC37-386P	Vent Tube	15.83	19.02
10	WC78-84P	Elbow - Male Parflex	13.04	15.67
11	24900-0002	Lateral - Model S7S50 (16 req.)	12.80	15.38
11	24901-0003	Lateral - Model S8S70 (16 req.)	14.53	17.46
12	35505-1424	O-Ring	9.60	11.54
13	24900-0503	Plug (Sand Removal)	29.58	35.54
14	24900-0505	Drain Fitting	27.13	32.60
15	27001-0022	1-1/2 in. NPT Plug	3.06	3.68
16	35505-1425	O-Ring	16.01	19.24
17	24900-0500	Tank Fitting	51.55	61.94

Item	Part No.	Description	US List	Can. List
SYSTEM:3 SAND FILTERS				
18	24900-0501	Tank Fitting	45.94	55.20
19	24850-0200	Clamp Assembly ³	135.29	162.56
19A	24850-0010	Clamp Bolt ³	32.76	39.36
20	24850-0104S	Tank - Lower Half - Model S7S50	1157.15	1390.43
20	24851-0105S	Tank - Lower Half - Model S8S70	1307.43	1571.01
21	24850-0008	Cord Ring - Model S7S50	66.32	79.69
21	24850-0009	Cord Ring - Model S8S70	75.88	91.18
22	24850-0105	Valve & Gauge Assembly (Includes #1, 2, 3, 4, 5)	103.56	124.44
NOT SHOWN				
	24700-0029	Lateral Extension Adapter ^{1,4}	6.95	8.35
	24850-0016	Clamp Retaining Ring ³	6.97	8.38
	25021-2021	System:3 Sand Conversion Kit #12,13,14,15,16,17,18) - Model S7S50 - Must also buy item # 7 separately	188.62	226.65
	25021-2025	System:3 Sand Conversion Kit #12,13,14,15,16,17,18) - Model S8S70 - Must also buy item # 7 separately	188.62	226.65

¹ Available for lateral repairs.

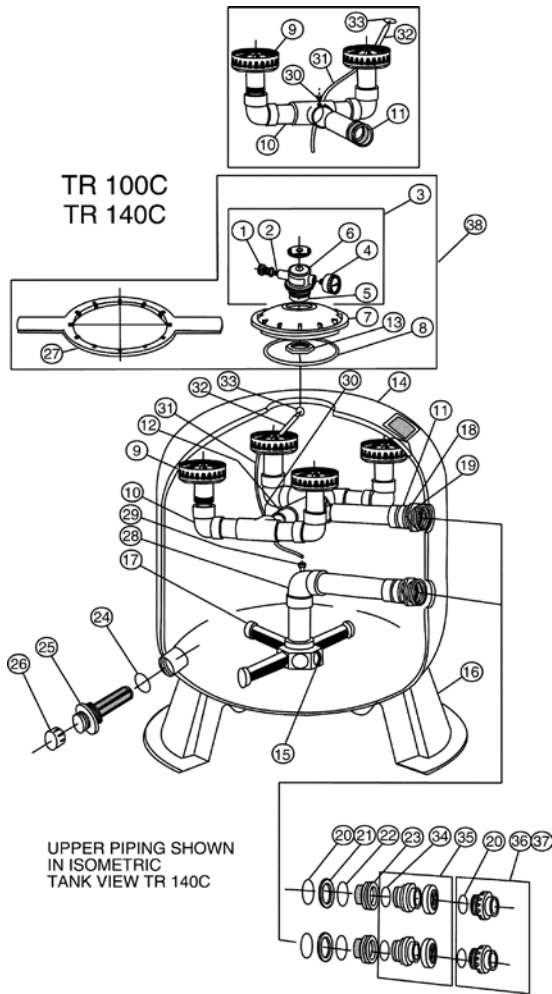
² Includes all decals and labels.

³ Model S7S50 uses seven clamps and bolts; Model S8S70 uses eight.

⁴ As required.

TR100C™ & TR140C™ FILTERS

REPLACEMENT PARTS FOR COMMERCIAL FIBERGLASS FILTERS



Item	Part No.	Description	US List	Can. List
TR100C & TR140C SAND FILTERS				
1	273512	Air bleeder w/ O-ring	12.56	15.09
2	273513	O-ring air bleeder screw	1.03	1.24
3	273564Z	Manual air relief body assembly	117.64	141.36
4	190059Z	Pressure gauge	47.34	56.88
5	274495	O-ring, 3/16 in. x 2-5/8 in. i.d.	1.56	1.87
6	273564Z	Valve body machined ARF	117.64	141.36
7	154575	Closure, 8-1/2 in. btr.	73.31	88.09
8	152509Z	Square ring 8-1/2 in.	8.07	9.70
9	154599	Diffuser Assembly	56.70	68.13
10	156355	Piping assembly upper TR100C, TR140C ¹	112.90	135.66
11	156344	Piping assembly upper inlet TR100C, TR140C	79.49	95.52
12	156354	Piping connecting assembly upper TR140C	89.66	107.74
13	154412	Nut, 2 in. internal	10.82	13.00

¹ Different quantities required for TR100C and TR140C Filters.

² Use on filters manufactured before 11-1-99.

³ Use on filters manufactured after 11-1-99.

Item	Part No.	Description	US List	Can. List
TR100C & TR140C SAND FILTERS				
14	153430	Tank & ft. assembly TR100C, 8-1/2 in. btr. thd., black	1780.24	2139.14
14	153431	Tank & ft. assembly TR140C, 8-1/2 in. btr. thd., black	2594.46	3117.50
15	154453	Hub lateral TR100C/TR140C	116.11	139.52
16	154596	Foot, 24 in. dia. TR100C/TR140C	163.82	196.85
17	152202Z	Lateral, 9-1/8 in. TR100C, 8 req.	11.34	13.63
17	154540Z	Lateral, 12 in. TR140C, 8 req.	22.68	27.25
18	154412	Locknut, 2 in. internal	10.82	13.00
19	154416	Spacer, 2 in. internal	15.77	18.95
20	154492	O-ring, 2 in. bulkhead	2.88	3.46
21	154408	Spacer, 2 in. external	15.77	18.95
22	154538	Gasket, 2 in. bulkhead	2.36	2.84
23	154405	Bulkhead, 2 in.	81.06	97.40
24	274494	O-ring, 3/16 in. x 2-5/8 in. L.H. Thread	5.32	6.39
25	152220Z	2 in. sand drain (Left-hand thread)	48.66	58.47
26	154871	Cap thd., 1-1/2 in.	9.28	11.15
27	154527	Wrench, 8-1/2 in. closure	32.30	38.81
28	154807	Piping assembly lower TR100C	61.00	73.30
28	154489	Piping assembly lower TR140C	62.87	75.54
29	150036	Connector air relief tube ³	1.69	2.03
30	273071	Screw, No.14 18-8 TR100C ¹	1.89	2.27
31	154437	Tube air relief TR100C ²	19.76	23.74
31	150041	Tube air relief TR100C ³	16.80	20.19
31	154438	Tube air relief TR140C ²	25.54	30.69
31	150042	Tube air relief TR140C ³	15.64	18.79
32	154507	Spacer air vent strainer TR100C 6-3/4 in.	9.46	11.37
32	154508	Spacer air vent strainer TR140C 10-5/16 in.	12.28	14.76
33	154578	Strainer air relief ²	15.34	18.43
33	150035	Strainer air relief ³	10.43	12.53
34	274494	O-ring valve adapter	5.32	6.39
35	271096	2 in. slip adaptor kit for inst. w/o valve (pair)	67.24	80.80
35	274426	Adapter Kit, 2-1/2 in. x 2 in.	CALL	CALL
36	271092	2 in. thd. adaptor kit for inst. w/o valve (pair)	67.24	80.80
37	271094	1-1/2 in. thd. adaptor kit for inst. w/o valve (pair)	67.24	80.80
38	154856	Kit closure 8-1/2 in. btr. thd. blk.	267.90	321.91

TRITON® C-3 FILTERS

REPLACEMENT PARTS FOR FIBERGLASS FILTERS

Item	Part No.	Description	US List	Can. List
TRITON C & C-3 SAND FILTERS				
1	273512	Air bleeder with O-ring ^{2,3}	12.56	15.09
2	273513	O-ring air bleeder screw ²	1.03	1.24
3	273564Z	Valve body machined ²	117.64	141.36
4	272546	Label warning manual air relief ²	CALL	CALL
5	190059Z	Pressure gauge ²	47.34	56.88
6	154494	O-ring adapter, 6 in. ²	CALL	CALL
7	273564Z	Manual air relief assembly ²	117.64	141.36
8	154575	Closure 8-1/2 in. ²	73.31	88.09
9	154412	Locknut, 2 in. internal	10.82	13.00
10	152509Z	Square ring-closure ^{2,3}	8.07	9.70
11	154527	Wrench, 8-1/2 in. closure ²	32.30	38.81
12	154856	Kit, 8-1/2 in. closure butt thread ⁶	267.90	321.91
12	156842	Closure kit C3 with bulkhead gaskets ⁶	293.24	352.36
15	154007	Upper piping assembly TR 100C-3	163.08	195.96
15	154008	Upper piping assembly TR 140C-3	165.93	199.38
16	154005	O-ring parker 2-343, 2 req.	7.11	8.54
17	154002	Spacer, 3 in., 2 req.	67.99	81.70
18	154004	O-ring parker 2-342, 2 req.	7.11	8.54
19	154003	Flange, 3 in., 2 req.	85.48	102.71
20	154001	Adapter flange, 3 in., 2 req.	70.28	84.45
21	154009	Lower piping assembly TR 100C-3 (Hub not included - see item 40)	166.56	200.14
21	154010	Lower piping assembly TR 140C-3 (Hub not included - see item 40)	164.28	197.40
22	154596	Foot, 24 dia. TR 100C-3/140C-3	163.82	196.85
23	152202Z	Lateral, 9 in. TR 100C-3, 8 req.	11.34	13.63
23	154540Z	Lateral, 12 in. TR 140C-3, 8 req.	22.68	27.25
24	154871	Cap thd., 1-1/2 in.	9.28	11.15
25	152220Z	Sand drain, 2 in. (Left-hand thread)	48.66	58.47
26	274494	O-ring, 3/16 in. x 2-5/8 in. i.d., 2 req.	5.32	6.39
27	154441	Connector air relief tube	14.78	17.76
28	154437	Tube air relief TR100C-3 (23 in.) ⁴	19.76	23.74
28	151114	Tube air relief TR100C-3 ⁵	19.02	22.85
28	154438	Tube air relief TR140C-3 (27 in.) ⁴	25.54	30.69
28	151115	Tube air relief TR140C3 ⁵	24.57	29.52
29	154018	Diffuser piping assembly TR 140C-3, 2 req	223.49	268.55

¹ P/N 156841 includes items 1, 10, 34 thru 38.

² Used on filters manufactured before 3-97.

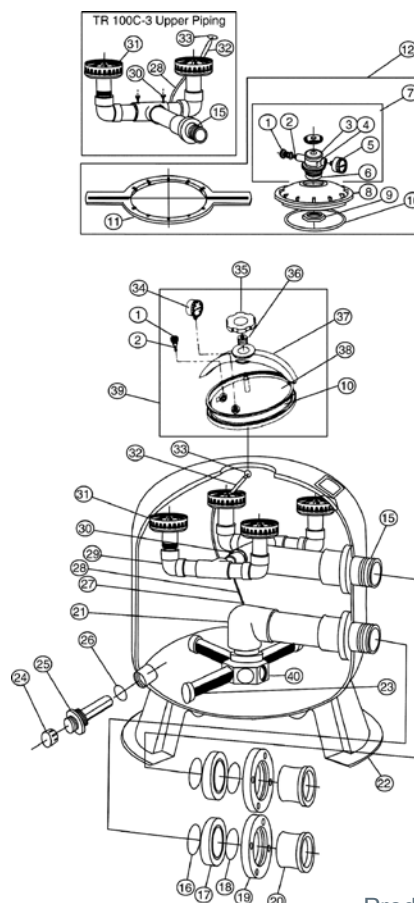
³ Used on filters manufactured after 3-97.

⁴ Used on filters manufactured before 11-99.

⁵ Used on filters manufactured after 11-99.

⁶ Used on filters manufactured after 4-15.

Item	Part No.	Description	US List	Can. List
30	273071	Screw, No.10-1-1/2 in. flathead phillips, 2 req.	1.89	2.27
TRITON C & C-3 SAND FILTERS				
31	154599	Diffuser (2 req'd. for TR 100C-3), 2 req.	56.70	68.13
31	154599	Diffuser (4 req'd. for TR 140C-3), 4 req.	56.70	68.13
32	154507	Spacer TR 100C-3, 6-3/4 in.	9.46	11.37
32	154508	Spacer TR 140C-3, 10-5/16 in.	12.28	14.76
33	154578	Strainer air relief ⁴	15.34	18.43
33	150035	Strainer air relief ⁵	10.43	12.53
34	190058Z	Pressure gauge, 1/4 in. psi ³	47.34	56.88
35	154581	Knob TR oval ³	21.32	25.62
36	154582	Spring TR oval ³	50.01	60.09
37	154579	Bridge TR oval ³	118.85	142.81
38	154576	Closure oval ³	111.78	134.31
39	156841	Kit TR oval closure ^{1,3}	375.75	451.50
40	154016	Hub	CALL	CALL
NOT SHOWN				
	151600	Oval Bulkhead Wrench	584.47	702.30
	151604	Oval Bulkhead Wrench	771.49	927.02
	150096	3" Flange Gaskets	CALL	CALL
	151092	Aluminum Wrench	515.27	619.15



Product on page 93.

SCH 40 & 80 FOR TR100C, TR140C & TR100C-3, TR140C-3

TANDEM FILTER PIPING KITS FOR 2 IN. AND 3 IN. FILTERS

Item	Description	Schedule	Qty.
THE FOLLOWING ARE INCLUDED IN KITS FOR TR C FILTERS			
1	Flange VS, socket, 150 lb.	80	2
2	Flange VS, spigot, 150 lb.	80	6
3	Butterfly valve, Asahi SP		4
4	Hardware kit, valve/flange hardware (No. 1), Includes: 16-5/8 x 6 in. hex head bolts, 16-5/8 in. nuts, 32-5/8 in. washers		1
5	Socket reducer tee	40	4
6	2 in. Spigot x socket 45° str. elbow	40	4
7	2 in. Spigot female adapter, spigot x fipt	40	4
8	2 in. Valve adapter kit		2
9	Socket tee	40	1
10	90° Socket elbow	40	1
11	Socket reducer saddle	40	6
12	2 in. Flange one-piece socket, 150 lb.	80	2
SINGLE TANK 2 IN. ADDER KIT			
1	Socket reducer tee, 4 x 2	40	2
2	2 in. Spigot x socket 45° str. elbow	40	2
3	2 in. Spigot female adapter, spigot x fipt	40	2
4	2 in. Valve adapter kit		1
5	Socket reducer saddle, 4 x 2	40	3
6	2 in. Flange one-piece socket, 150 lb.	80	1
THE FOLLOWING ARE INCLUDED IN KITS FOR TR C-3 IN. FILTERS			
1	Flange VS, socket, 150 lb.	80	2
2	Flange VS, spigot, 150 lb.	80	6
3	Butterfly valve, Asahi SP		4
4	Hardware kit, valve/flange hardware (No.1), Includes: 16-5/8 x 6 in. hex head bolts, 16-5/8 in. nuts, 32-5/8 in. washers		1
5	Socket tee	40	5
6	3 in. Spigot x socket 45° str. elbow	40	4
7	Socket reducer saddle	40	3
8	2 in. Flange one-piece socket, 150 lb. solid	80	1
9	3 in. Flange VS, spigot, 150 lb.	80	4
10	3 in. Bolt pack, tank/flange hardware w/ gasket (No.4), Includes: 16-5/8 x 3-1/4 in. hex head bolts, 16-5/8 in. nuts, 32-5/8 in. washers		1
11	90° Socket elbow	40	1
SINGLE TANK 3 IN. ADDER KIT			
1	Socket reducer tee	40	2
2	3 in. Spigot x socket 45° str. elbow	40	2
3	Socket reducer saddle	40	3
4	2 in. Flange one-piece socket, 150 lb. solid	80	1
5	3 in. Flange VS, spigot, 150 lb.	80	2
6	3 in. Bolt pack, tank/flange hardware w/ gasket (No.5), Includes: 8-5/8 x 3-1/4 in. hex head bolts, 8-5/8 in. nuts, 16-5/8 in. washers		1

Please contact the Factory for Drawings and Sizing details on Plumbing kits for the Triton C & C-3 in. Filters.

Product on pages 94–95.

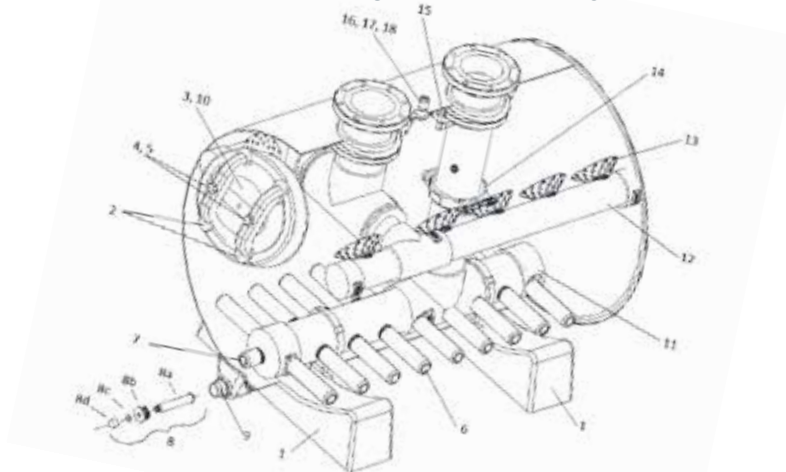
CALIFORNIA PROPOSITION 65 WARNING

WARNING: Cancer and Reproductive Harm.
AVERTISSEMENT: Peut Causer le Cancer et des Dommages au Système Reproducteur.
ADVERTENCIA: Cáncer y Daño Reproductivo.

www.p65warnings.ca.gov
PR020714

THS SERIES® HORIZONTAL SAND FILTER

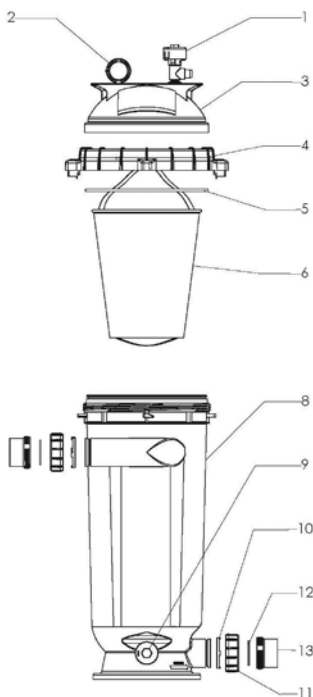
REPLACEMENT PARTS



THS SERIES® HORIZONTAL SAND FILTERS				
1	B4848BL-32	Tank Saddle, Black	All	2
2	B4856	Yoke, Manway	All	2
3	B4852A-N	Glass Filled Manway Cover, Black	All	1
4	94910	HHMB, 3/4 in. x 4 in., T316 S/S	All	2
5	B4860	3/4 in. Flat Washer, T316 S/S	All	2
6	B4804	10 in. Effluent Lateral	THS3461	14
			THS3484	20
			THS4272	18
			THS4284	24
7	B4803	3-1/2 in. Effluent Lateral	THS3461 - THS3484	2
			THS4272 - THS4296	3
8	B4980	Media Dump Assembly	All	1
8a	B4983	6 in. Lateral, 1/2 in. NPT	All	1
8b	B4982	1-1/2 in. Pipe Plug	All	1
8c	B4698	O-Ring	All	1
8d	B4984	1/2 in. Pipe Cap	All	1
9	B4981X	1-1/2 in. NPT Tank Adapter	All	1
10	B4951	Manway O-ring	All	1
11	**	Effluent Manifold without Laterals	**	1
12	**	Influent Manifold without Laterals	**	1
13	B4806	Shower Head Diffuser	THS3461	8
			THS3484	10
			THS4272	10
			THS4284	12
14	B4570	4 in. Grooved Coupling Assembly	THS3461 - THS3484	1
			THS4272 - THS4296	1
14	B4572	6 in. Grooved Coupling Assembly	THS4272 - THS4296	1
15	B4578	Automatic Air Relief Assembly	All	1
16	B4974BAN	1/2 in. Manual Air Relief Cap	All	1
17	B4970BAN	1/2 in. Threaded Nipple	All	1
18	B4979BAN	1/2 in. Bulkhead Fitting	All	1

SEPARATION TANK

REPLACEMENT PARTS

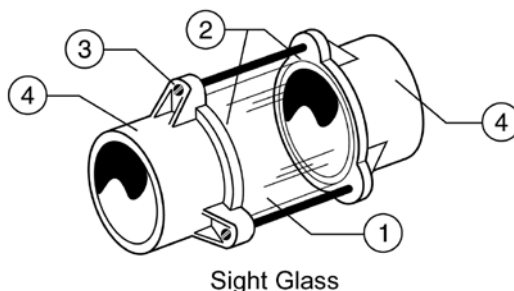


Item	Part No.	Description	US List	Can. List
SEPARATION TANK - SEP 48/72/96/144				
1	98209800	High Flow manual air relief valve	37.80	45.42
2	190058Z	Pressure Gauge	47.34	56.88
3	310010Z	Tank Lid	174.10	209.20
4	59052900	Locking Ring Assembly	108.25	130.07
5	87300400Z	Body O-Ring	10.66	12.81
6	170099	Separation Bag Retaining Ring	163.31	196.23
8	178731Z	Tank Bottom	382.29	459.36
9	154712Z	Drain Cap Assembly	38.36	46.09
10	178732Z	Union Nut "C" Clip	8.47	10.18
11	U11-200PSZ	Union Nut	11.98	14.40
12	178746Z	Union Diamond Seal	4.58	5.50
13	178733Z	Union, Threaded Half	48.56	58.35
	170099	Separation Bag (Not Shown)	163.31	196.23

Product on page 81.

SIGHT GLASS

REPLACEMENT PARTS FOR AMERICAN PRODUCTS MODELS



Sight Glass

Item	Part No.	Description	US List	Can. List
SIGHT GLASS				
2	51006100	Gasket, 2 req.	3.54	4.25
3	51006200	Bolt, 3 req.	CALL	CALL
4	51013200	Top and bottom ABS, 1-1/2 socket	CALL	CALL
NOT SHOWN				
	619312	Nut, 8-32, 3 req.	0.37	0.44

¹ Used on filters manufactured before 9-96.

² To upgrade sep. tanks manufactured after 9-96.

CALIFORNIA PROPOSITION 65 WARNING

⚠ **WARNING:** Cancer and Reproductive Harm.
 ⚠ **AVERTISSEMENT:** Peut Causer le Cancer et des Dommages au Système Reproducteur.
 ⚠ **ADVERTENCIA:** Cáncer y Daño Reproductivo.

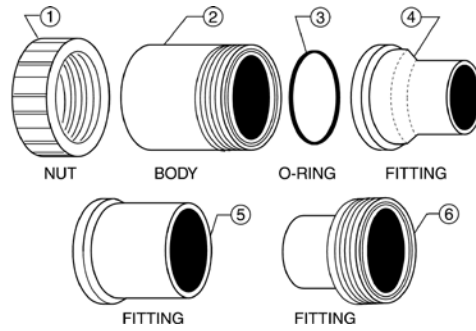
www.p65warnings.ca.gov

PR020714

Product on page 96.

UNIONS

REPLACEMENT PARTS



Item	Part No.	Description	US List	Can. List
UNIONS				
1	51013011	Nut, black	29.62	35.59
2	87201911	Fitting, 2 in. slip ABS	CALL	CALL
3	51013500	O-ring	6.87	8.25
4	87202411	Body male, 1-1/2 in., ABS	21.64	26.00
5	87202211	Body, 1-1/2 in. slip x 2 in. male ABS	25.27	30.36

CALIFORNIA PROPOSITION 65 WARNING

⚠️ **WARNING:** Cancer and Reproductive Harm.
 ⚠️ **AVERTISSEMENT:** Peut Causer le Cancer et des Dommages au Système Reproducteur.
 ⚠️ **ADVERTENCIA:** Cáncer y Daño Reproductivo.

www.p65warnings.ca.gov
PN 20251A



HEATERS & HEAT PUMPS PARTS

Product Catalog 2020

ETI® 400 HEATER

REPLACEMENT PARTS

Item	Part No.	Description	US List	Can. List	Item	Part No.	Description	US List	Can. List
SYSTEM									
1	475978	Fan Control Board	156.38	187.91	35	475622	Vent Socket	91.98	110.52
2	475984	Membrane Pad	81.29	97.68	36	475623	TitanTough Heat Exchanger	4873.27	5855.72
3	475985	AGS 150 degree F	62.54	75.15	37	475624	Burner	CALL	CALL
4	475987	Air Pressure Switch	90.69	108.97	38	476000	Combustion Blower Replacement Kit	275.98	331.62
5	475996	Wire Harness	368.00	442.19	39	476001	Gas Control Valve Replacement Kit	CALL	CALL
6	475998	Thermal Fuse (white)	78.17	93.93	40	38404-4097S	3/4 in. Union	39.57	47.55
7	475601	Stack Flue Sensor (blue)	68.78	82.65	41	42001-0063S	High Limit Switch	68.78	82.65
8	476081Z	Gas Engine Spark Electrodes	142.47	171.19	42	U178-920P	Drain Plug	3.67	4.41
9	475982	Spark Electrodes Cables	134.49	161.60	43	476002	Manifold	395.63	475.39
10	475980	Condensate Assembly/Float Switch	250.21	300.65	44	476003	Manifold-Enclosure Fasteners	122.64	147.36
11	475615	HX and Chimney Gaskets	625.62	751.74	45	476004	Hold Down Bracket Kit	61.30	73.66
12	475606	Heat Exchanger Screws	78.17	93.93	46	476072	Propane Gas Orifice Kit	125.09	150.31
13	475979	Assembly, Plug 120/240V	62.54	75.15	47	475975	Control Board	187.67	225.50
14	475603	Tridicator	93.82	112.73	48	475976	Ignition Control Module	250.21	300.65
15	475604	Gas and Air orifices (natural gas)	50.03	60.12	49	462023	Flame Sensor	CALL	CALL
16	475973	Heater Gasket Kit	281.50	338.25	50	476059	Burner Assembly	CALL	CALL
17	475971	Air Intake Kit	247.12	296.94	51	476101	Base Door Gas Side	171.71	206.33
18	475608	Gas Side Panel	153.32	184.23	52	476102	Base Door Control Side	171.71	206.33
19	475609	Water Manifold Panel	91.98	110.52	53	476106	Kit Heat Exchanger Union Adapters	275.98	331.62
20	475610	Control Board Panel	171.71	206.33					
21	475611	Latch Assembly	76.64	92.09					
22	475612	Condensate Neutralizer Kit	272.96	327.99					
23	475613	Inlet Plumbing Assembly	521.33	626.43					
24	475614	Outlet Plumbing Assembly	398.66	479.03					
25	475617	Exhaust Assembly	88.91	106.83					
26	42001-0056S	Terminal Board	59.36	71.33					
27	32850-0099	Fireman's Switch Fuse (1.25 amps)	8.31	9.99					
28	42001-0053S	Thermistor, Water Sensor	87.87	105.58					
29	42001-0060S	Water Pressure Switch	90.80	109.11					
30	42001-0107S	Dual Voltage Transformer	75.03	90.16					
31	475618	Pressure Relief Valve	153.32	184.23					
32	475619	Control Cover	30.65	36.83					
33	475620	Vent Cap Exhaust	12.23	14.70					
34	475621	Water Bypass Assembly	39.83	47.86					

CALIFORNIA PROPOSITION 65 WARNING

⚠️ **WARNING:** Cancer and Reproductive Harm.
 ⚠️ **AVERTISSEMENT:** Peut Causer le Cancer et des Dommages au Système Reproducteur.
 ⚠️ **ADVERTENCIA:** Cáncer y Daño Reproductivo.
www.p65warnings.ca.gov

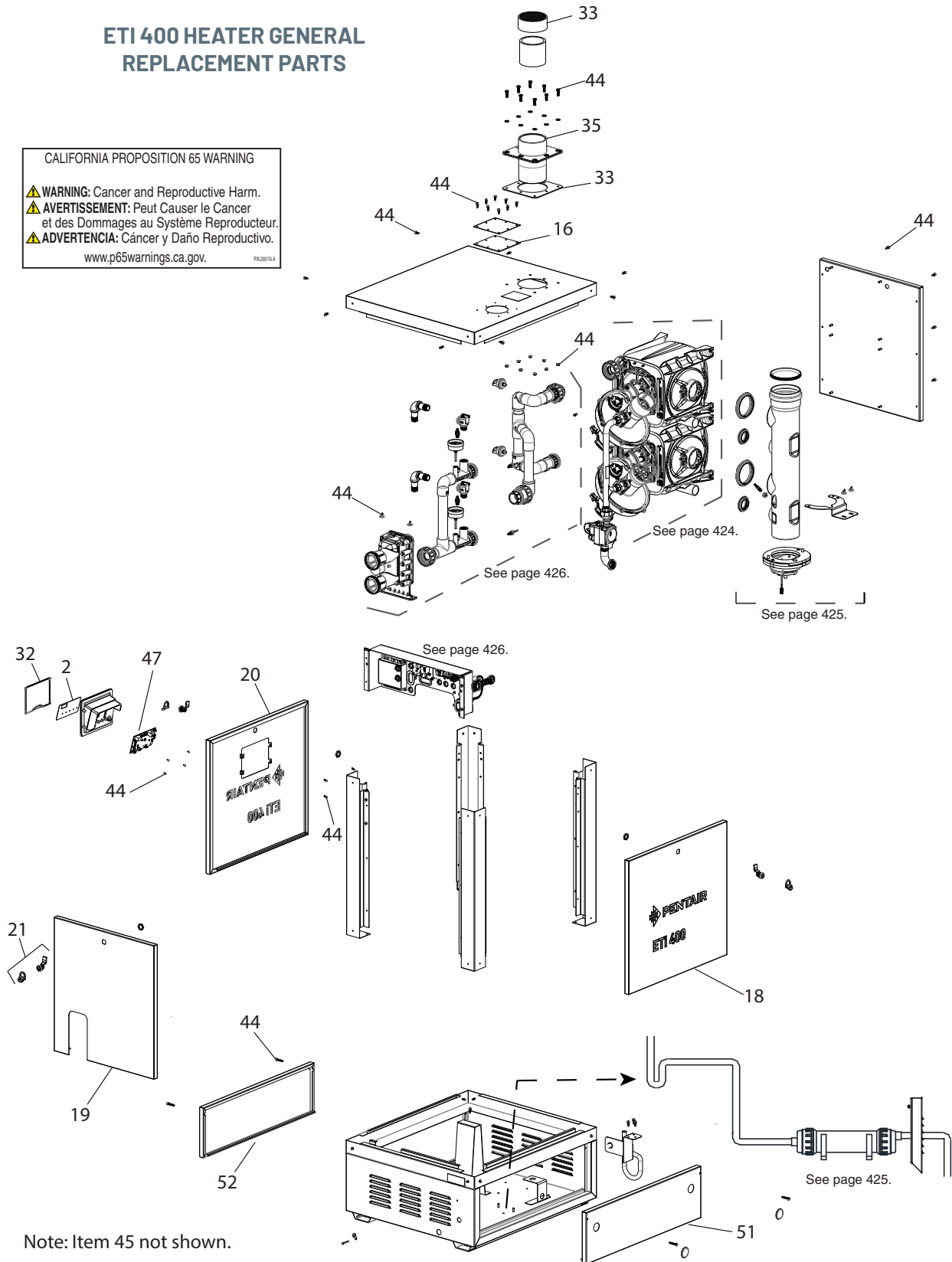
PA 2017.1.1

ETI® 400 HEATER (CONT'D)

REPLACEMENT PARTS

ETI 400 HEATER GENERAL REPLACEMENT PARTS

CALIFORNIA PROPOSITION 65 WARNING
 ⚠️ **WARNING:** Cancer and Reproductive Harm.
 ⚠️ **AVERTISSEMENT:** Peut Causer le Cancer et des Dommages au Système Reproducteur.
 ⚠️ **ADVERTENCIA:** Cáncer y Daño Reproductivo.
www.p65warnings.ca.gov PK2017A



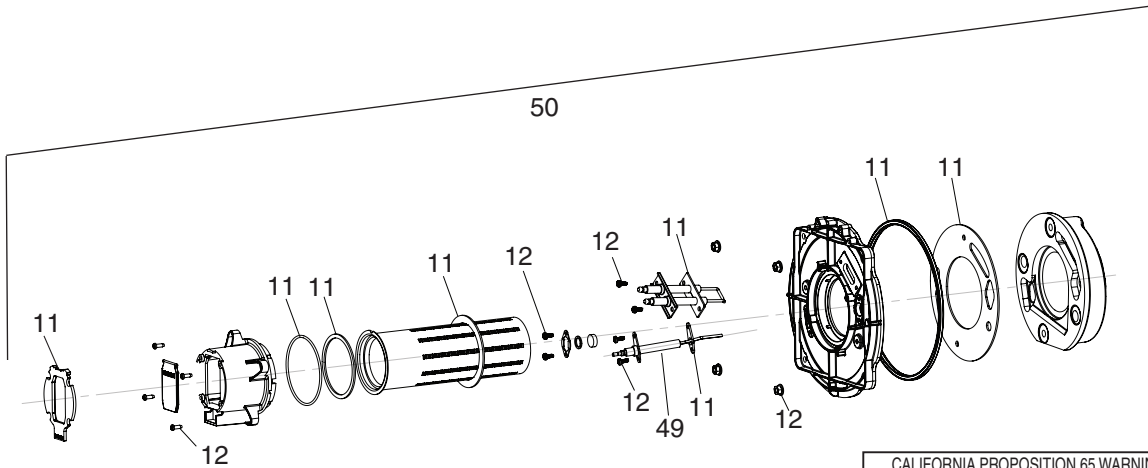
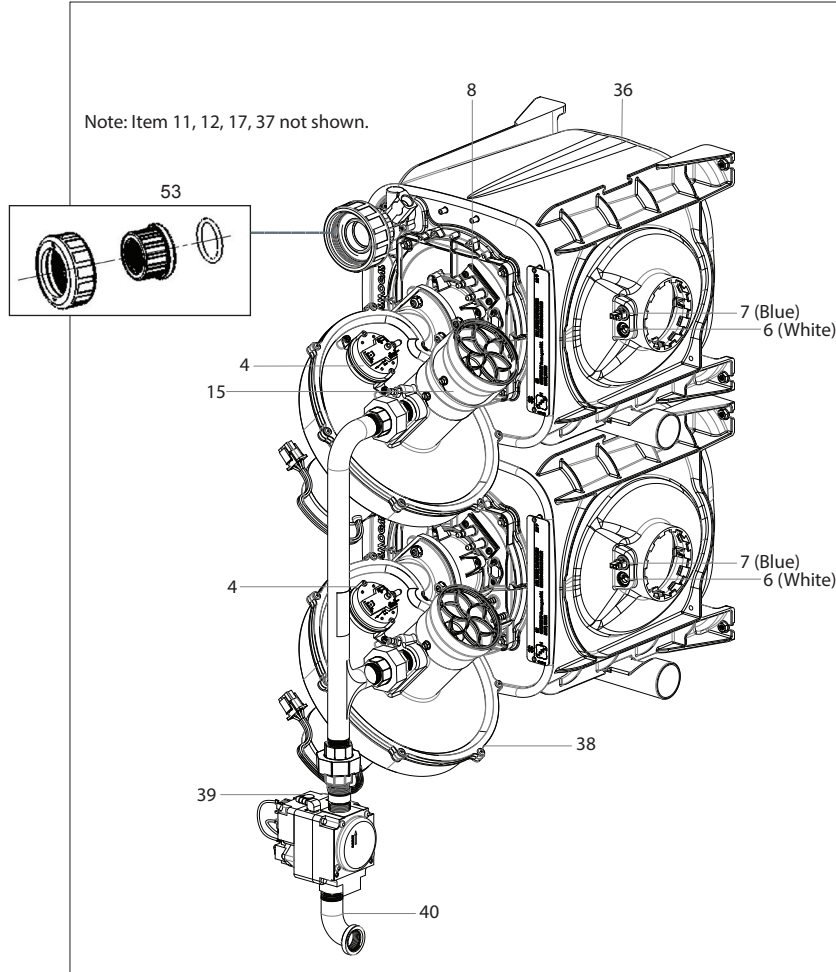
Note: Item 45 not shown.

Product on page 102-103.

ETI® 400 HEATER (CONT'D)

REPLACEMENT PARTS

BURNER SYSTEM REPLACEMENT PARTS



CALIFORNIA PROPOSITION 65 WARNING

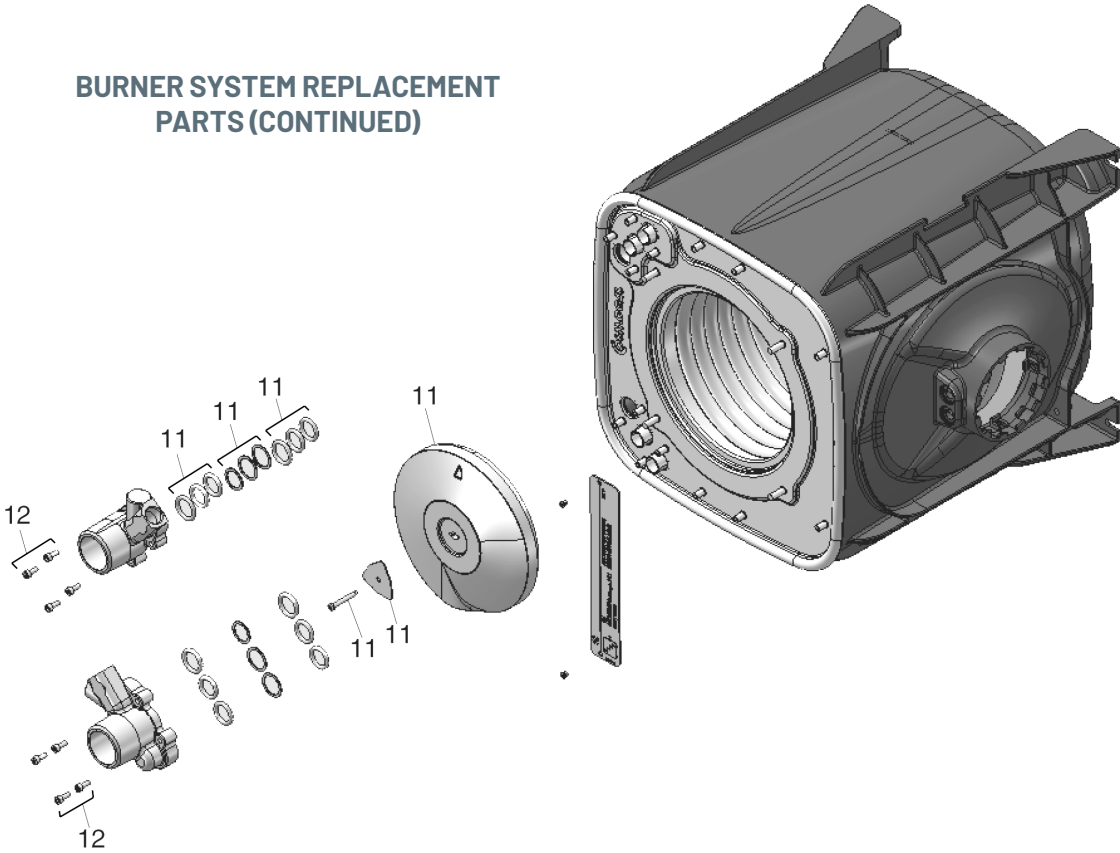
⚠️ **WARNING:** Cancer and Reproductive Harm.
 ⚠️ **AVERTISSEMENT:** Peut Causer le Cancer et des Dommages au Système Reproducteur.
 ⚠️ **ADVERTENCIA:** Cáncer y Daño Reproductivo.

www.p65warnings.ca.gov. PH201714

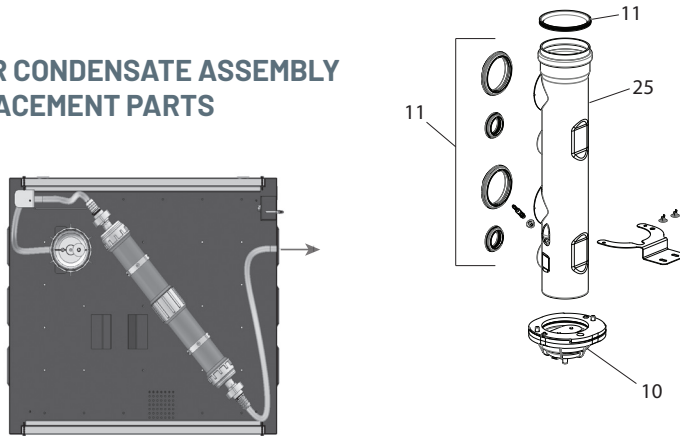
ETI® 400 HEATER (CONT'D)

REPLACEMENT PARTS

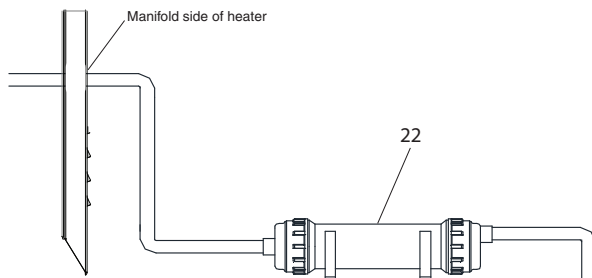
BURNER SYSTEM REPLACEMENT PARTS (CONTINUED)



ETI 400 HEATER CONDENSATE ASSEMBLY REPLACEMENT PARTS



Condensate Neutralizer Cartridge (Optional, P/N 475612 sold separately). The cartridge may be mounted to the base of the heater for an outdoor installation.



Condensate Neutralizer Cartridge (Optional, P/N 475612 sold separately). The cartridge may be mounted external to the heater for an indoor installation.

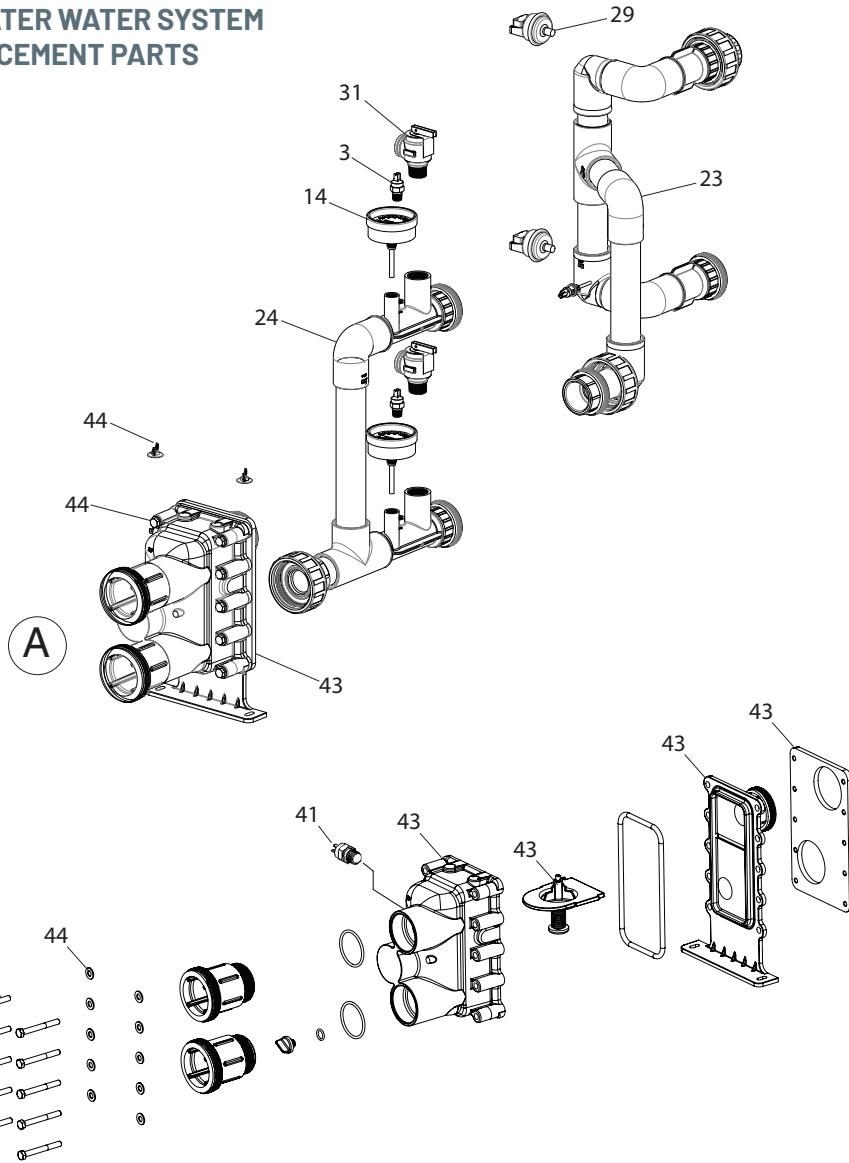
CALIFORNIA PROPOSITION 65 WARNING

⚠️ **WARNING:** Cancer and Reproductive Harm.
 ⚠️ **AVERTISSEMENT:** Peut Causer le Cancer et des Dommages au Système Reproducteur.
 ⚠️ **ADVERTENCIA:** Cáncer y Daño Reproductivo.
www.p65warnings.ca.gov

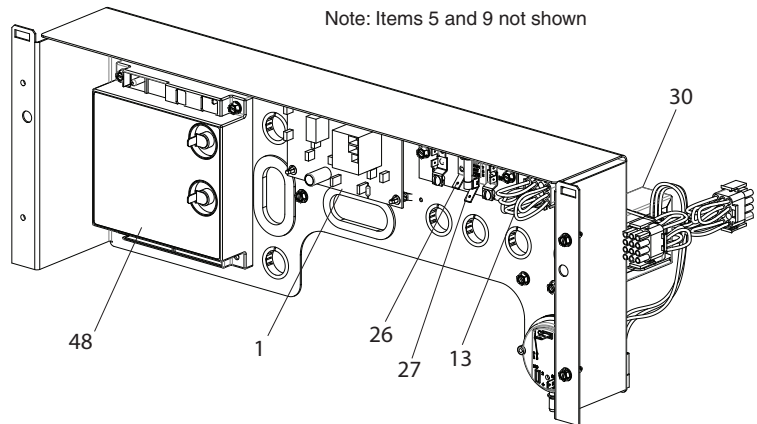
ETI® 400 HEATER (CONT'D)

REPLACEMENT PARTS

ETI 400 HEATER WATER SYSTEM REPLACEMENT PARTS



OPERATOR CONTROL PANEL ASSEMBLY REPLACEMENT PARTS



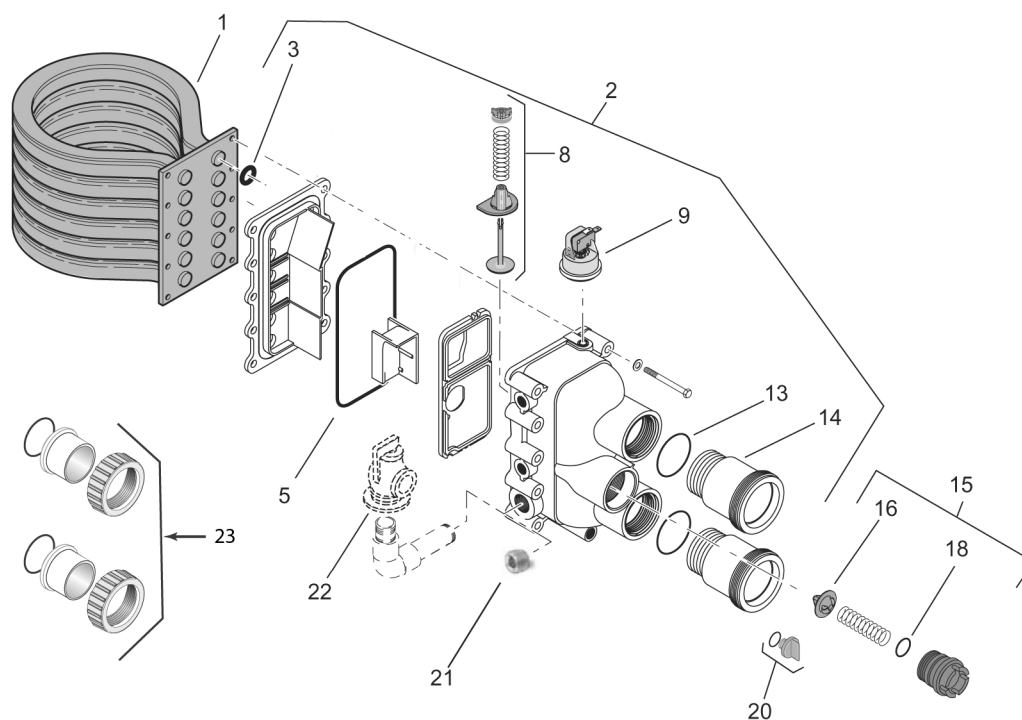
CALIFORNIA PROPOSITION 65 WARNING

⚠ **WARNING:** Cancer and Reproductive Harm.
 ⚠ **AVERTISSEMENT:** Peut Causer le Cancer
 et des Dommages au Système Reproducteur.
 ⚠ **ADVERTENCIA:** Cáncer y Daño Reproductivo.
www.p65warnings.ca.gov

PH3287XA

MASTERTEMP® HEATER

WATER SYSTEM REPLACEMENT PARTS



Item	Part No.	Description	US List	Can. List
WATER SYSTEM				
1	77707-0232	Tube Sheet Coil Assembly Kit (Includes Item No. 3) Models 175NA, 175LP, 200NA, 200LP	962.12	1156.08
1	474058	Tube Sheet Coil Assembly Kit (Includes Item No. 3) Models 175NA, 175LP, 200NA, 200LP ¹	1000.62	1202.34
1	474062	Tube Sheet Coil Assembly Kit (Includes Item No. 3) Model 200HDNA, 200HD-LP	1939.50	2330.50
1	460747	Tube Sheet Coil Assembly Kit (Includes Item No. 3) Models 250NA, 250LP	1193.02	1433.53
1	474059	Tube Sheet Coil Assembly Kit (Includes Item No. 3) Models 250NA, 250LP ¹	1231.53	1479.81
1	77707-0233	Tube Sheet Coil Assembly Kit (Includes Item No. 3) Models 300NA, 300LP	1346.96	1618.51
1	474060	Tube Sheet Coil Assembly Kit (Includes Item No. 3) Models 300NA, 300LP ¹	1385.47	1664.78
1	77707-0234	Tube Sheet Coil Assembly Kit (Includes Item No. 3) Models 400NA, 400LP	1500.90	1803.48
1	474061	Tube Sheet Coil Assembly Kit (Includes Item No. 3) Models 400NA, 400LP ¹	1654.85	1988.47
1	77707-0244	Tube Sheet Coil Assembly Kit (Includes Item No. 3) Models 400HDNA, 400HD-LP	2424.54	2913.33
1	474065	Tube Sheet Coil Assembly Kit (Includes Item No. 3) Models 400HDNA, 400HD-LP ¹	2501.52	3005.83
1	473710	Tube Sheet Coil Assembly Kit - HD Series - (Includes Item No. 3) Models 250HDNA, 250HD-LP	2001.18	2404.62
1	474063	Tube Sheet Coil Assembly Kit - HD Series - (Includes Item No. 3) Models 250HDNA, 250HD-LP ¹	2039.69	2450.89

¹ For Heaters Manufactured after 1/12/09 (New Tub Design).

Note: Kits include: O-Rings, Insulation, Igniter and Blower Gaskets.

CALIFORNIA PROPOSITION 65 WARNING

▲ **WARNING:** Cancer and Reproductive Harm.
▲ **AVERTISSEMENT:** Peut Causer le Cancer et des Dommages au Système Reproducteur.
▲ **ADVERTENCIA:** Cáncer y Daño Reproductivo.

www.p65warnings.ca.gov. PMS207NA

MASTERTEMP® HEATER (CONT'D)

WATER SYSTEM REPLACEMENT PARTS

Item	Part No.	Description	US List	Can. List
WATER SYSTEM				
2	77707-0014	Manifold Kit (Includes Item Nos. 3–14, 21, and Item Nos. 5–7 in “Electrical System” Models 175NA, 175LP, 200NA, 200LP)	707.03	849.57
2	460748	Manifold Kit (Includes Item Nos. 3–14, 21, and Item Nos. 5–7 in “Electrical System” Models 250NA, 250LP)	657.68	790.27
2	77707-0015	Manifold Kit (Includes Item Nos. 3–14, 21, and Item Nos. 5–7 in “Electrical System” Models 300NA, 300LP)	707.03	849.57
2	77707-0016	Manifold Kit (Includes Item Nos. 3–14, 21, and Item Nos. 5–7 in “Electrical System” Models 400NA, 400LP)	707.03	849.57
2	474200	Basic Manifold Kit (Includes Item Nos. 3, 5, 10–14)	225.58	271.06
3	77707-0117	Coil/Tubesheet Sealing O-Ring Kit - Models 175NA, 175LP, 200NA, 200LP (6)	59.36	71.33
3	460749	Coil/Tubesheet Sealing O-Ring Kit - Models 250NA, 250LP (8)	59.36	71.33
3	77707-0118	Coil/Tubesheet Sealing O-Ring Kit - Models 300NA, 300LP (10)	59.36	71.33
3	77707-0119	Coil/Tubesheet Sealing O-Ring Kit - Models 400NA, 400LP (12)	59.36	71.33
8	77707-0001	Manifold Bypass Valve Kit	62.90	75.58
9	42001-0060S	Water Pressure Switch	90.80	109.11
9	473716Z	Water Pressure Switch (Old Header Design ASME) ⁴	336.87	404.78
13	U9-226Z	O-Ring	CALL	CALL
14	77707-0017	Connector Tube Kit (Includes 1 Connector Tube and 1 O-Ring)	60.33	72.49
15	77707-0010	Thermal Regulator Kit (Incl. Item Nos. 16, 17, 18, 19 and Spring Clip)	114.92	138.09
16	38000-0007S	Thermal Regulator (Includes Spring Clip)	79.17	95.13
18	35505-1313	Thermal Regulator Cap O-Ring	5.06	6.08
20	U178-920P	Drain Plug	3.67	4.41
21	U78-60ZPS	Zinc Plug 428-60 PS	6.99	8.40
22	473715Z	Pressure Relief Valve	173.50	208.48
23	PKG 188Z	2 in. Union Adapter Package (Includes 2)	33.51	40.27
	77707-0120	O-Ring Kit (Incl. Item Nos. 3, 5)	50.57	60.76
ASME KITS				
	472648Z	Bypass Access Plug (ASME)	407.70	489.89
	77707-0001	Mainfold Bypass Valve Kit ASME	62.90	75.58
	474096	Heat Exchanger Kit ³ - 400 ASME	3425.15	4115.66
	474956	Heat Exchanger Kit ⁵ - 400 ASME	3425.15	4115.66
	474953	Heat Exchanger Kit ⁵ - 400 HD ASME	3472.22	4172.22
	474350	Heat Exchanger Kit ³ - 400 ASME HD	3472.22	4172.22
	474097	Heat Exchanger Kit ³ - 250 ASME	3078.80	3699.49
	474954	Heat Exchanger Kit ⁵ - 250 ASME HD	3301.93	3967.60
	474955	Heat Exchanger Kit ⁵ - 250 ASME	3078.80	3699.49
	474349	Heat Exchanger Kit ³ - 250 ASME HD	3301.92	3967.59
	460923	ASME Bypass Valve Kit ⁴ (Old header design)	354.42	425.87
	461007	ASME Bypass Valve Tool Kit ⁴ (Old header design)	214.80	258.10
	460924	Thermal Regulator Kit ⁴ (includes Spring clip, ASME, Old header design)	173.20	208.12

³ For ASME Heaters Manufactured after 3/24/09 (Tub Design w/Clamp Ring).

⁴ For ASME Heaters Manufactured prior to 10/2012 (Old Header Design).

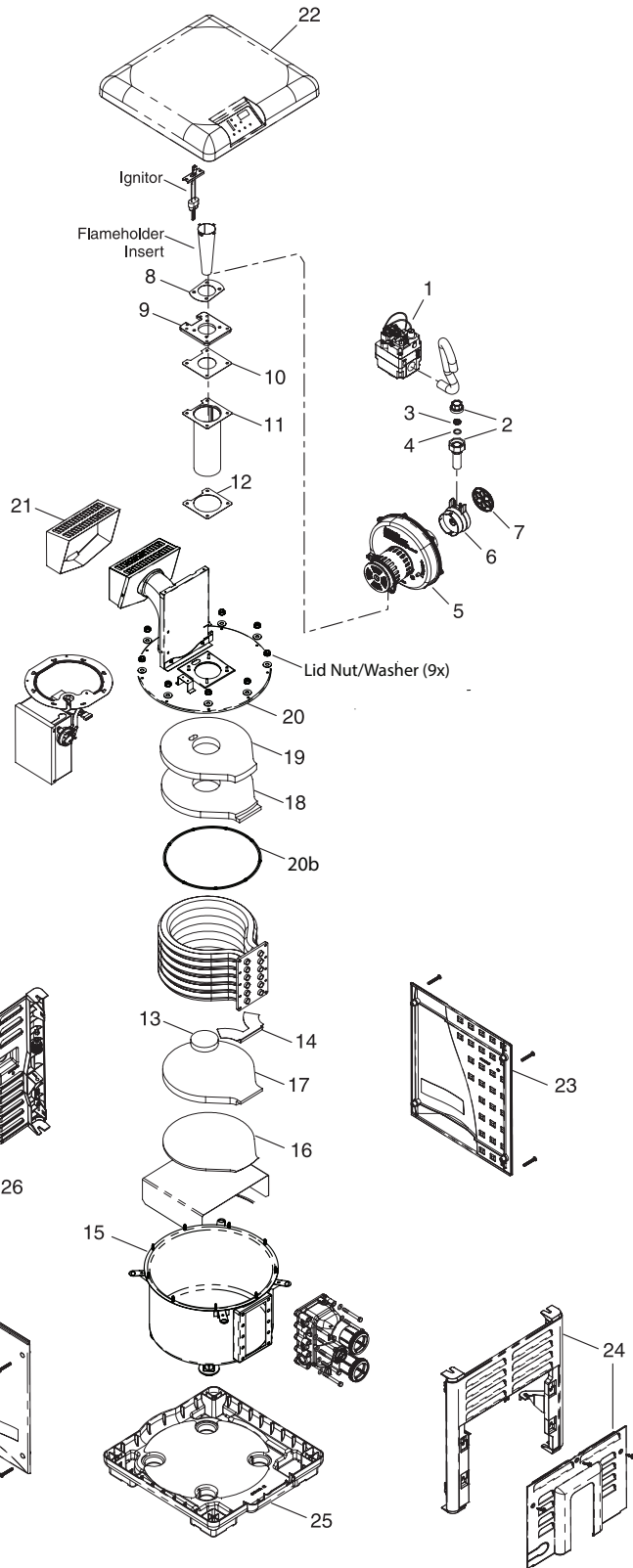
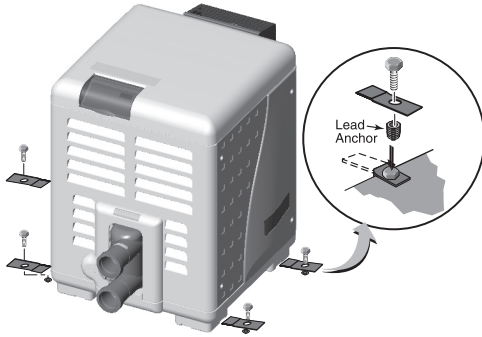
⁵ For ASME Heaters Manufactured after 11/16/13 (New 9-Bolt Tub Design).

Note: Kits (New Tub Design) include: Clamp, O-Ring, Silicone Tube, and Insulation (ASME version only).

MASTERTEMP® HEATER (CONT'D)

BURNER SYSTEM REPLACEMENT PARTS

For Heater mounting bolts and clamps, purchase separately Bolt Down Bracket Kit, Part No. 460738.



CLAMP LID TUB DESIGN

Combustion Chamber Clamp Assy.

20a 20 15 26

For heaters manufactured between 1/12/2009 and 10/31/2013 (clamp lid tub design)
 Note: Kits also include Clamp Assembly, O-Ring and Silicon Tube

CALIFORNIA PROPOSITION 65 WARNING

⚠ **WARNING:** Cancer and Reproductive Harm.
 ⚠ **AVERTISSEMENT:** Peut Causer le Cancer et des Dommages au Système Reproducteur.
 ⚠ **ADVERTENCIA:** Cáncer y Daño Reproductivo.
www.p65warnings.ca.gov PHS 2011-14

MASTERTEMP® HEATER (CONT'D)

BURNER SYSTEM REPLACEMENT PARTS

Item	Part No.	Description	US List	Can. List	Qty.
BURNER SYSTEM					
1	42001-0051S	Combination Gas Control Valve Kit	482.37	579.62	1
2	38404-4097S	3/4 in. Union	39.57	47.55	2
5	77707-0250	Air Blower Kit – Natural Gas Units (Models 175NA)	912.03	1095.90	1
5	77707-0251	Air Blower Kit - Natural Gas Units (Models 200NA)	912.04	1095.91	1
5	460743	Air Blower Kit - Natural Gas Units (Models 250NA)	848.44	1019.49	1
5	460757	Air Blower Kit - Natural Gas Units (Models 300NA)	848.42	1019.46	1
5	77707-0253	Air Blower Kit - Natural Gas Units (Models 400NA)	912.04	1095.91	1
5	77707-0254	Air Blower Kit - Propane Units (Models 175LP, 200LP)	912.04	1095.91	1
5	460744	Air Blower Kit - Propane Units (Models 250LP)	848.42	1019.46	1
5	460758	Air Blower Kit - Propane Units (Models 300LP)	848.42	1019.46	1
5	77707-0256	Air Blower Kit - Propane Units (Models 400LP)	912.04	1095.91	1
6	See Item #7	Item #6 included in Item #7	CALL	CALL	
7	460798	Air Orifice Kit - Model 175 (Includes Item Nos. 6 and 7)	47.49	57.06	1
7	77707-0111	Air Orifice Kit - Model 200 (Includes Item Nos. 6 and 7)	72.63	87.27	1
7	460745	Air Orifice Kit - Model 250 (Includes Item Nos. 6 and 7)	67.54	81.16	1
7	460759	Air Orifice Kit - Model 300 (Includes Item Nos. 6 and 7)	67.54	81.16	1
7	77707-0113	Air Orifice Kit - Model 400 (Includes Item Nos. 6 and 7)	72.63	87.27	1
15	474095	One Piece Metal Chamber/Combustion Chamber Assembly ¹	752.05	903.66	1
15	474957	One Piece Metal Chamber/Combustion Chamber Assembly ²	468.07	562.43	1
20	474094	One Piece Metal Elbow/Combustion Chamber Cover Assembly ¹	851.00	1022.56	1
20	474958	One Piece Metal Elbow/Combustion Chamber Cover Assembly ²	532.89	640.32	1
20a	474201	Tub O-Ring Kit ¹	53.52	64.31	1
20b	474952	Tub O-Ring Kit ²	50.12	60.22	1
21	42002-0005S	Metal Vent Cover	145.18	174.45	1
22	42002-0034Z	Heater Top	387.30	465.38	1
23	42002-0039Z	Side Panel (Service Panel) with 4 clips and 4 screws	378.82	455.19	1
24	42002-0033Z	Side Panel (Manifold)	378.80	455.17	1
25	42002-0031Z	Heater Bottom	178.11	214.02	1
26	42002-0032Z	Side Panel (Flue Stack)	286.30	344.02	1
27	42002-0041Z	J Box Cover	19.79	23.78	1
28	474292	11 ea screws, 11 ea clips and 8 wing-nuts	24.72	29.70	
NOT SHOWN					
	461002	Gas Orifice Kit - NG, Model 175 (Incl. Item Nos. 3 and 4) *	60.39	72.56	1
	77707-0431	Gas Orifice Kit - NG, Model 200 (Incl. Item Nos. 3 and 4) *	60.39	72.56	1
	460739	Gas Orifice Kit - NG, Model 250 (Incl. Item Nos. 3 and 4) *	56.16	67.48	1
	460753	Gas Orifice Kit - NG, Model 300 (Incl. Item Nos. 3 and 4) ¹	56.16	67.48	1
	77707-0411	Gas Orifice Kit - NG, Model 400 (Incl. Item Nos. 3 and 4) *	60.39	72.56	1
	460797	Gas Orifice Kit – Propane, Model 175 (Incl. Item Nos. 3 and 4) *	90.29	108.49	1

Item	Part No.	Description	US List	Can. List	Qty.
	77707-0461	Gas Orifice Kit – Propane, Model 200 (Incl. Item Nos. 3 and 4) *	60.39	72.56	1
	460740	Gas Orifice Kit – Propane, Model 250 (Incl. Item Nos. 3 and 4) *	56.16	67.48	1
	460754	Gas Orifice Kit – Propane, Model 300 (Incl. Item Nos. 3 and 4) *	56.16	67.48	1
	77707-0441	Gas Orifice Kit – Propane, Model 400 (Incl. Item Nos. 3 and 4) *	60.39	72.56	1
	460794	NG to Propane Conversion Kit Model 175 (Incl. Item Nos. 3 and 4) *	83.52	100.36	1
	77707-1461	NG to Propane Conversion Kit Model 200 (Incl. Item Nos. 3 and 4) *	62.43	75.02	1
	460741	NG to Propane Conversion Kit Model 250 (Incl. Item Nos. 3 and 4) *	58.07	69.78	1
	460755	NG to Propane Conversion Kit Model 300 (Incl. Item Nos. 3 and 4) *	58.07	69.78	1
	77707-1441	NG to Propane Conversion Kit Model 400 (Incl. Item Nos. 3 and 4) *	62.43	75.02	1
	460795	Propane to NG Conversion Kit Model 175 (Incl. Key Nos. 3 and 4) *	83.52	100.36	1
	77707-1431	Propane to NG Conversion Kit Model 200 (Incl. Key Nos. 3 and 4) *	62.43	75.02	1
	460742	Propane to NG Conversion Kit Model 250 (Incl. Key Nos. 3 and 4) *	58.07	69.78	1
	460756	Propane to NG Conversion Kit Model 300 (Incl. Key Nos. 3 and 4) *	58.07	69.78	1
	77707-1411	Propane to NG Conversion Kit Model 400 (Incl. Key Nos. 3 and 4) *	62.43	75.02	1
	77707-0011	Blower/Adapter Plate Gasket Kit (Includes Item Nos. 8, 9, 10, 12)	71.54	85.96	1
	77707-0202	Flameholder Kit - Model 175, Model 200 (Includes Item Nos. 10, 11, 12 & 13)	169.98	204.25	1
	460746	Flameholder Kit - Model 250 (Includes Item Nos. 10, 11, 12 & 13 and Flameholder insert)	158.11	189.98	1
	77707-0203	Flameholder Kit - Model 300 (Includes Item Nos. 10, 11, 12, 13 & Flameholder Insert)	191.23	229.78	1
	77707-0204	Flameholder Kit - Model 400 (Includes Item Nos. 10, 11, 12, 13 & Flameholder Insert)	223.09	268.06	1
	77707-0008	Insulation Kit (Includes Item Nos. 13, 14, 16, 17, 18, 19)	173.20	208.12	1
	42001-0074S	Lower Enclosure Insulation	60.83	73.09	1
	42001-0214S	Metal Vent Cover Assembly	CALL	CALL	1
	461063	Kit Gas Conversion NA to LP - MT125	CALL	CALL	1

* Not included with heater. Order separately.

¹ For Heaters Manufactured Between 1/12/09 and 10/31/13 (Clamp lid tub design).

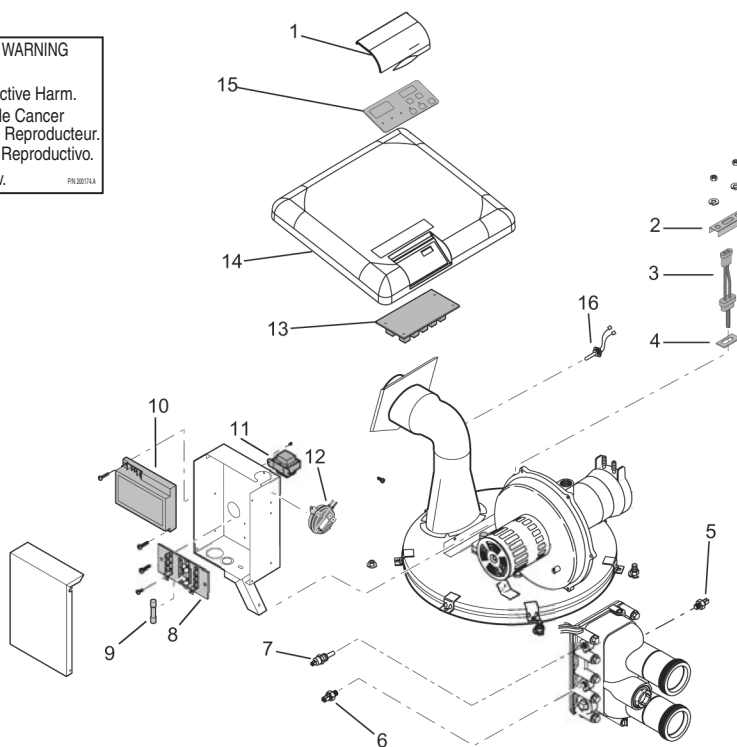
² For Heaters Manufactured After 11/16/13 (New 9-bolt lid tub design).

Note: Kits include Clamp Assembly, O-Ring, and Silicone Tube.

MASTERTEMP® HEATER (CONT'D)

ELECTRICAL SYSTEM REPLACEMENT PARTS

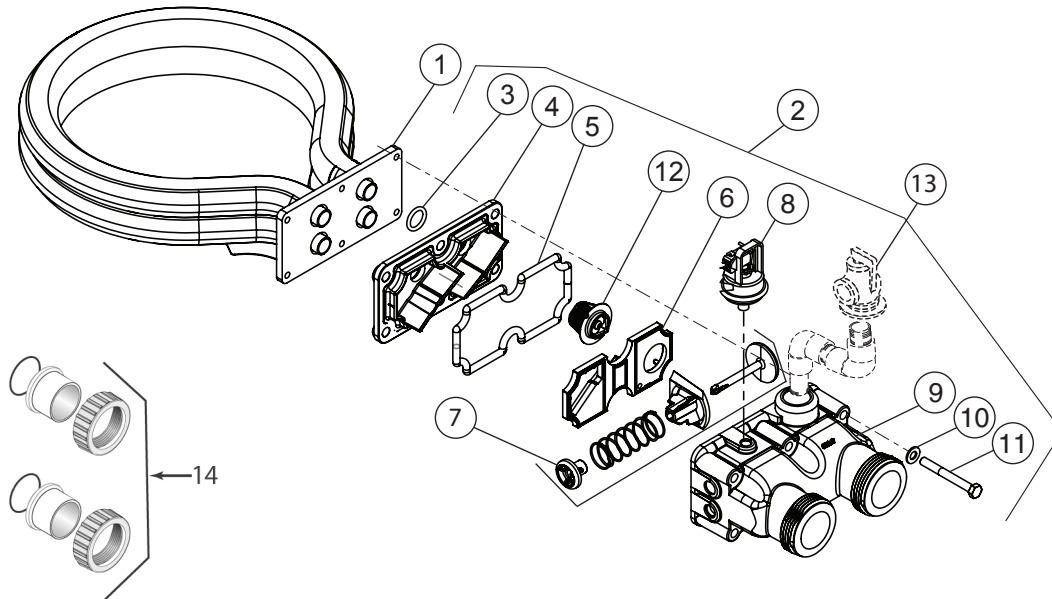
CALIFORNIA PROPOSITION 65 WARNING
 ⚠️ **WARNING:** Cancer and Reproductive Harm.
 ⚠️ **AVERTISSEMENT:** Peut Causer le Cancer et des Dommages au Système Reproducteur.
 ⚠️ **ADVERTENCIA:** Cáncer y Daño Reproductivo.
www.p65warnings.ca.gov P# 201714



Item	Part No.	Description	US List	Can. List
ELECTRICAL SYSTEM				
1	42002-0035Z	Heater Display Cover	59.36	71.33
2	42001-0030S	Igniter Bracket	59.36	71.33
3	77707-0054	Igniter/Igniter Gasket Kit, Incl. Item Nos. 3 and 4)	92.00	110.55
4	42001-0066S	Igniter Gasket	59.36	71.33
5	42002-0025S	Automatic Gas Shutoff Switch (AGS)	56.57	67.97
6	42001-0063S	High Limit Switch	68.78	82.65
7	42001-0053S	Thermistor	87.87	105.58
8	42001-0056S	Terminal Board	59.36	71.33
9	32850-0099	Fireman's Switch Fuse (1.25A, 1-1/4 in.)	8.31	9.99
10	42001-0052S	Ignition Control Module	368.88	443.25
11	42001-0107S	Transformer, 115/230V	75.03	90.16
12	42001-0061S	Air Flow Switch	152.13	182.80
13	42002-0007S	Control Board Kit (NA, LP Series)	698.39	839.19
14	42002-0034Z	Heater, Top	387.30	465.38
15	472610Z	Membrane Pad (NA, LP Series)	152.42	183.15
16	42002-0024S	Stack Flue Sensor	132.21	158.86
NOT SHOWN				
	42001-0104S	Heater Wiring Harness -115/230V	366.05	439.85
	42001-0105S	120/240 Volt Plug Kit	59.36	71.33

MASTERTEMP® 125 HEATER

WATER SYSTEM REPLACEMENT PARTS



Item	Part No.	Description	US List	Can. List
WATER SYSTEM				
1	474971	Tube Sheet Coil Assembly Kit - Includes Item #3. (NA, LP Series)	999.75	1201.30
2	474972	Manifold Kit (Includes Item #3, #4, #5, #6, #7, #9, #10, & #11; Item #8 and #13 not included)	334.32	401.72
3	474973	Coil/Tubesheet Sealing O-Ring Kit	46.77	56.20
4	474405	Manifold Bottom Plate	CALL	CALL
5	474406	Manifold O-Ring	CALL	CALL
6	474407	Manifold Baffle Plate	CALL	CALL
7	474972	Manifold Bypass Valve	334.32	401.72
8	42001-0060S	Water Pressure Switch	90.80	109.11
9		Manifold *		
10		5/16" Washer, S.S. *		
11		5/16 x 18 x 2-3/4" Hex Cap Screw *		
12	474989	Thermal Regulator	66.85	80.33
13	473715Z	Pressure Relief Valve (Recommended-Purchased Separately)	173.50	208.48
14	474974	Union 1-1/2" Kit	76.88	92.38

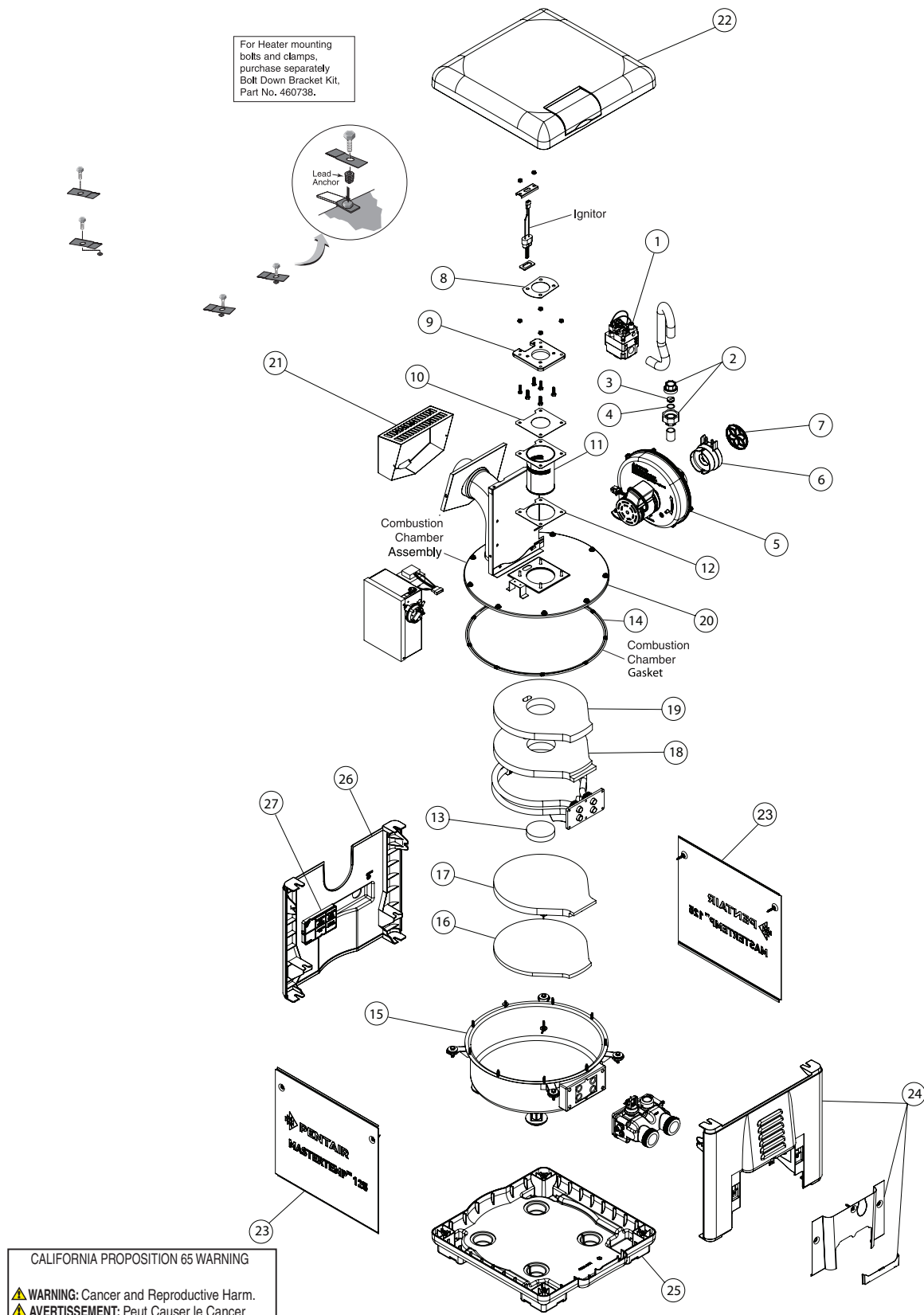
Note: Kits include: O-Rings, Insulation, Igniter and Blower Gaskets.

* Not available separately. See item #2.

CALIFORNIA PROPOSITION 65 WARNING
 ⚠️ **WARNING:** Cancer and Reproductive Harm.
 ⚠️ **AVERTISSEMENT:** Peut Causer le Cancer et des Dommages au Système Reproducteur.
 ⚠️ **ADVERTENCIA:** Cáncer y Daño Reproductivo.
www.p65warnings.ca.gov P65.0011A

MASTERTEMP® 125 HEATER (CONT'D)

BURNER SYSTEM REPLACEMENT PARTS



CALIFORNIA PROPOSITION 65 WARNING

⚠️ **WARNING:** Cancer and Reproductive Harm.
 ⚠️ **AVERTISSEMENT:** Peut Causer le Cancer et des Dommages au Système Reproducteur.
 ⚠️ **ADVERTENCIA:** Cáncer y Daño Reproductivo.
www.p65warnings.ca.gov

Product on page 106–107.

MASTERTEMP® 125 HEATER (CONT'D)

BURNER SYSTEM REPLACEMENT PARTS

Item	Part No.	Description	US List	Can. List	Qty.
BURNER SYSTEM					
1	42001-0051S	Combination Gas Control Valve Kit	482.37	579.62	1
2	38404-4097S	3/4 in. Union	39.57	47.55	2
5	474978	Air Blower Kit – Natural Gas	835.91	1004.43	1
5	474977	Air Blower Kit - Propane	835.91	1004.43	1
6	474979	Air Orifice Kit (Incl. Item Nos. 6, 7)	47.50	57.08	1
14	474952	Combustion Chamber Gasket Kit	50.12	60.22	1
15	474990	One Piece Metal Chamber/Combustion Chamber Assembly	434.68	522.31	1
20	474958	One Piece Metal Elbow/Combustion Chamber Cover Assembly, 9-Bolt	532.89	640.32	1
21	42002-0005S	Metal Vent Cover	145.18	174.45	1
22	42002-0034Z	Heater Top	387.30	465.38	1
23	474991	Side Panel (Service Panel)	133.71	160.67	1
24	474992	Side Panel (Manifold)	190.56	228.98	1
25	42002-0031Z	Heater Bottom	178.11	214.02	1
26	474993	Side Panel (Flue Stack)	157.11	188.78	1
27	42002-0041Z	J Box Cover	19.79	23.78	1
28	474292	11 ea clips, 11 ea screws, 8 wing nuts	24.72	29.70	1

Item	Part No.	Description	US List	Can. List	Qty.
NOT SHOWN					
	474981	Gas Orifice Kit - NG (Incl. Item Nos. 3 and 4) **	50.12	60.22	1
	474980	Gas Orifice Kit - Propane (Incl. Item Nos. 3 and 4) **	50.12	60.22	1
	461063	NG to Propane Conversion Kit (Incl. Item Nos. 3 and 4) **	CALL	CALL	1
	461062	Gas Orifice Kit - Propane to NG Conversion Kit (Incl. Item Nos. 3 and 4) **	CALL	CALL	1
	77707-0011	Blower/Adapter Plate Gasket Kit (Incl. Item Nos. 8, 9, 10, 12)	71.54	85.96	1
	474994	Flameholder Kit (Incl. Item Nos. 10, 11, 12, 13)	167.15	200.85	1
	77707-0008	Insulation Kit (Incl. Item Nos. 13, 14, 16, 17, 18, 19)	173.20	208.12	1
	474845	Direct Air Intake Duct Kit (MasterTemp 125)	297.90	357.96	1

* Not available separately.

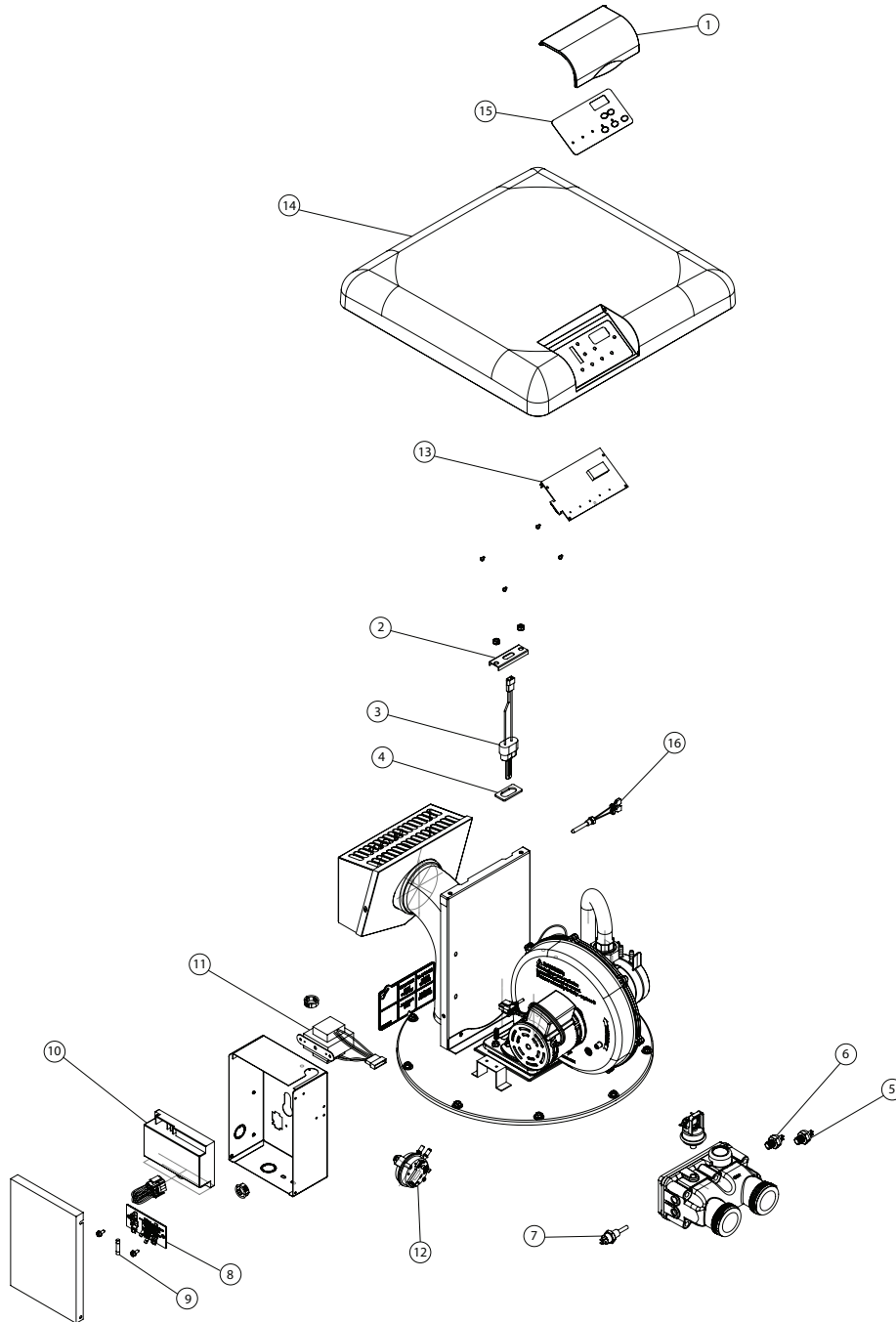
** Not included with heater. Order separately.

CALIFORNIA PROPOSITION 65 WARNING

⚠ **WARNING:** Cancer and Reproductive Harm.
 ⚠ **AVERTISSEMENT:** Peut Causer le Cancer et des Dommages au Système Reproducteur.
 ⚠ **ADVERTENCIA:** Cáncer y Daño Reproductivo.
www.p65warnings.ca.gov P9820154

MASTERTEMP® 125 HEATER (CONT'D)

ELECTRICAL SYSTEM REPLACEMENT PARTS



Product on page 106–107.




CALIFORNIA PROPOSITION 65 WARNING
⚠ WARNING: Cancer and Reproductive Harm.
⚠ AVERTISSEMENT: Peut Causer le Cancer et des Dommages au Système Reproducteur.
⚠ ADVERTENCIA: Cáncer y Daño Reproductivo.
www.p65warnings.ca.gov P65-201714A

MASTERTEMP® 125 HEATER (CONT'D)

ELECTRICAL SYSTEM REPLACEMENT PARTS

Item	Part No.	Description	US List	Can. List
ELECTRICAL SYSTEM				
1	42002-0035Z	Heater Display Cover	59.36	71.33
2	42001-0030S	Igniter Bracket	59.36	71.33
3	77707-0054	Igniter/Igniter Gasket Kit, Incl. Item Nos. 3 and 4)	92.00	110.55
4	42001-0066S	Igniter Gasket	59.36	71.33
5	42002-0025S	Automatic Gas Shutoff Switch (AGS)	56.57	67.97
6	42001-0063S	High Limit Switch	68.78	82.65
7	42001-0053S	Thermistor	87.87	105.58
8	42001-0056S	Terminal Board	59.36	71.33
9	32850-0099	Fireman's Switch Fuse (1.25A, 1-1/4 in.)	8.31	9.99
10	42001-0052S	Ignition Control Module	368.88	443.25
11	42001-0107S	Transformer, 115/230V	75.03	90.16
12	42001-0061S	Air Flow Switch	152.13	182.80
13	42002-0007S	Control Board Kit (NA, LP Series)	698.39	839.19
14	42002-0034Z	Heater, Top	387.30	465.38
15	472610Z	Membrane Pad (NA, LP Series)	152.42	183.15
16	42002-0024S	Stack Flue Sensor	132.21	158.86
NOT SHOWN				
	42001-0104S	Heater Wiring Harness -115/230V	366.05	439.85
	42001-0105S	120/240 Volt Plug Kit	59.36	71.33

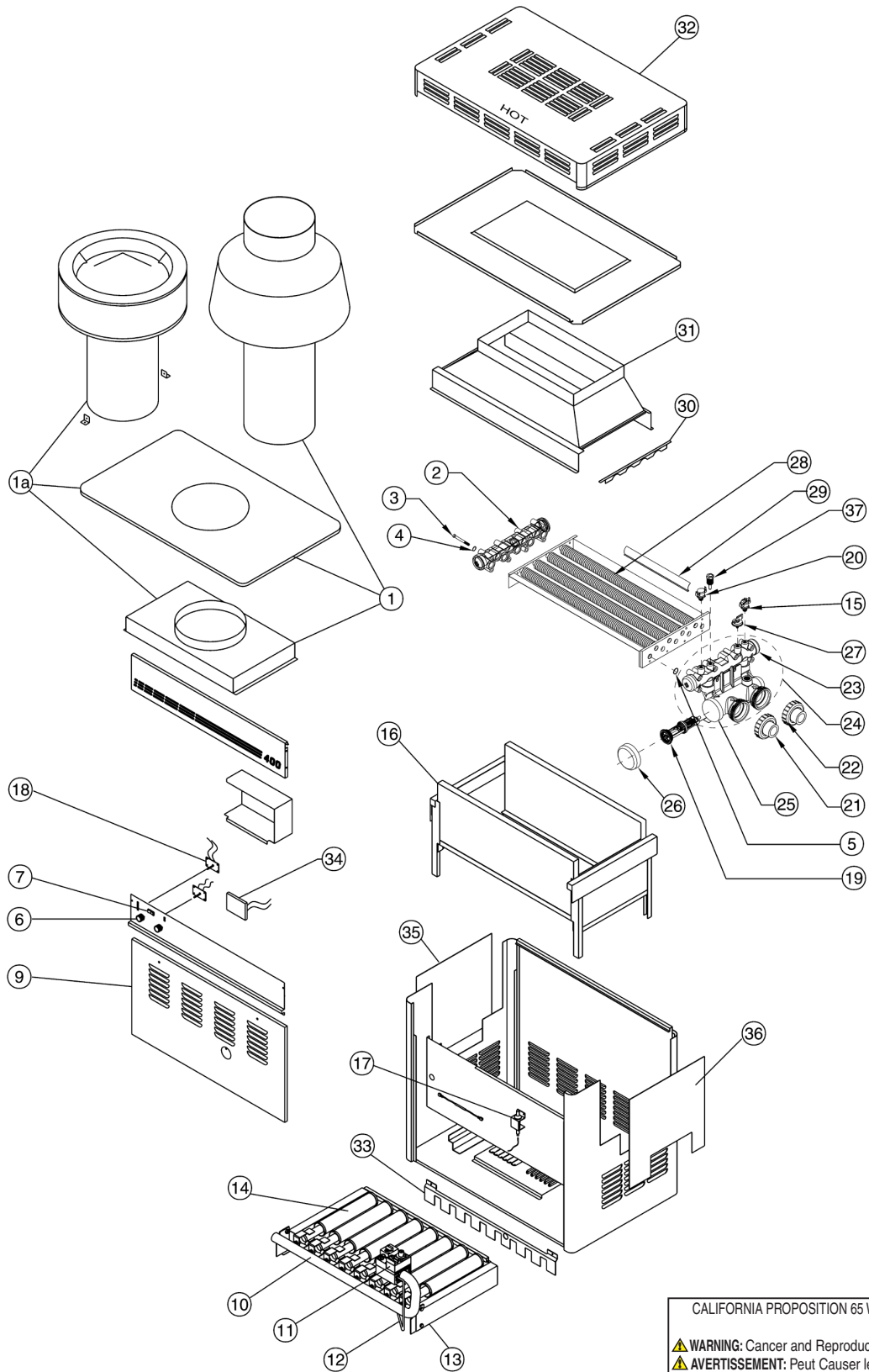
CALIFORNIA PROPOSITION 65 WARNING

 **WARNING:** Cancer and Reproductive Harm.
 **AVERTISSEMENT:** Peut Causer le Cancer et des Dommages au Système Reproducteur.
 **ADVERTENCIA:** Cáncer y Daño Reproductivo.
www.p65warnings.ca.gov

Product on page 106–107.

MINIMAX® CH HEATER

REPLACEMENT PARTS



CALIFORNIA PROPOSITION 65 WARNING
 ⚠️ WARNING: Cancer and Reproductive Harm.
 ⚠️ AVERTISSEMENT: Peut Causer le Cancer et des Dommages au Système Reproducteur.
 ⚠️ ADVERTENCIA: Cáncer y Daño Reproductivo.
www.p65warnings.ca.gov P6500174A

MINIMAX® CH HEATER (CONT'D)

REPLACEMENT PARTS

Item	Part No.	Mod.	Description	US List	Can. List	Qty.
VENT KIT ASSEMBLY						
1	460227	150	Indoor	CALL	CALL	1
1	460228	200	Indoor	CALL	CALL	1
1	460230	250	Indoor	CALL	CALL	1
1	460231	300	Indoor	CALL	CALL	1
1	460233	350	Indoor	CALL	CALL	1
1	460234	400	Indoor	CALL	CALL	1
1a	460237	150	Outdoor	CALL	CALL	1
1a	460222	200	Outdoor	CALL	CALL	1
1a	460223	250	Outdoor	CALL	CALL	1
1a	460224	300	Outdoor	CALL	CALL	1
1a	460225	350	Outdoor	CALL	CALL	1
1a	460226	400	Outdoor	CALL	CALL	1
2	471991		Return header assembly ¹	89.47	107.51	1
3	471622		Bolt, heat exchanger ¹	1.69	2.03	16
4	072184		Washer 3/8 in. ID 7/8 in. OD ¹	1.69	2.03	16
5	070951		Tube seal gasket ¹	1.60	1.92	18
6	470184		Thermostat knob ¹	14.20	17.06	2
7	470186		Switch, rocker (single pole and double throw) ¹	13.92	16.73	1
CONTROL PANEL ASSEMBLY, COMPLETE						
9	075468	150	door, millivolt	127.44	153.13	1
9	075604	200	door, millivolt	184.70	221.94	1
9	075488	250	door, millivolt	136.31	163.79	1
9	075605	300	door, millivolt	CALL	CALL	1
9	075606	350	door, millivolt	238.62	286.73	1
9	075490	400	door, millivolt	249.52	299.82	1
10	070256	150	Manifold burner	67.64	81.28	1
10	075525	200	Manifold burner	71.99	86.50	1
10	070257	250	Manifold burner	75.94	91.25	1
10	075526	300	Manifold burner	80.76	97.04	1
10	075527	350	Manifold burner	81.06	97.40	1
10	070258	400	Manifold burner	89.76	107.86	1
11	075457		Gas valve natural, millivolt ¹	540.53	649.50	1
11	075458		Gas valve propane, millivolt ¹	532.40	639.73	1
12	076084		Pilot tube, millivolt ²	CALL	CALL	1
12	076085		Pilot tube, millivolt ³	CALL	CALL	1
12	076086		Pilot tube, millivolt ⁴	CALL	CALL	1
BURNER TRAY ASSEMBLY, COMPLETE						
13	075493	150	natural, millivolt	CALL	CALL	1
13	075496	200	natural, millivolt	CALL	CALL	1
13	075494	250	natural, millivolt	CALL	CALL	1
13	075497	300	natural, millivolt	CALL	CALL	1
13	075498	350	natural, millivolt	CALL	CALL	1
13	075495	400	natural, millivolt	CALL	CALL	1
13	075502	150	Propane, millivolt	1618.20	1944.43	1
13	075505	200	Propane, millivolt	1802.42	2165.79	1

Item	Part No.	Mod.	Description	US List	Can. List	Qty.
13	075503	250	Propane, millivolt	1971.73	2369.23	1
13	075506	300	Propane, millivolt	2087.26	2508.05	1
13	075507	350	Propane, millivolt	2382.26	2862.52	1
13	075504	400	Propane, millivolt	2487.76	2989.29	1
14	070230		Burner ^{1,6}	133.64	160.58	
14a	470550		Burner with pilot bracket (not shown) ¹	CALL	CALL	1
15	473605		Pressure switch ¹	85.14	102.30	1
COMBUSTION CHAMBER ASSEMBLY, COMPLETE						
16	073858	150	Assembly	554.20	665.93	1
16	075586	200	Assembly	593.00	712.55	1
16	073857	250	Assembly	646.41	776.73	1
16	075587	300	Assembly	676.85	813.30	1
16	075588	350	Assembly	661.86	795.29	1
16	073856	400	Assembly	743.63	893.55	1
17	075459		Presslite igniter assembly ¹	22.46	26.99	1
18	471678		Potentiometer ¹	26.97	32.41	2
19	471750		Flow valve assembly ¹	231.81	278.54	1
20	471587		Hi-limit thermostat 115° ¹	54.62	65.63	1
21	471441		Adaptor, bulkhead, 2 in. ¹	19.76	23.74	2
22	274440		Adaptor, bulkhead ring ¹	18.14	21.80	2
23	471993		Main manifold assembly ¹	71.65	86.09	1
24	471992		Main header assembly ¹	535.46	643.41	1
25	471419		Main manifold bottom ¹	77.03	92.56	1
26	471420		Cap, main manifold bottom ¹	15.17	18.23	1
27	471694		Hi-limit thermostat 150° ¹	55.65	66.87	1
HEAT EXCHANGER						
28	472131	150	Without heads	834.61	1002.87	1
28	472169	150	With heads	1275.91	1533.13	1
28	472132	200	Without heads	1037.29	1246.41	1
28	472168	200	With heads	1086.98	1306.12	1
28	472167	250	With heads	1168.64	1404.24	8
28	472133	250	Without heads	1077.85	1295.14	1
28	472134	300	Without heads	1192.75	1433.21	1
28	472166	300	With heads	CALL	CALL	
28	472135	350	Without heads	1329.57	1597.61	1
28	472165	350	With heads	2374.90	2853.68	
28	472136	400	Without heads	1496.79	1798.54	1
28	472164	400	With heads	1579.30	1897.69	
29	070277	150	Baffle	7.23	8.69	1
29	075559	200	Baffle	6.11	7.34	8
29	070276	250	Baffle	7.23	8.69	8
29	075560	300	Baffle	6.78	8.15	8
29	070277	350	Baffle	7.23	8.69	16
29	070278	400	Baffle	7.75	9.31	16

MINIMAX® CH HEATER (CONT'D)

REPLACEMENT PARTS

Item	Part No.	Mod.	Description	US List	Can. List	Qty.
30	472329		Baffle hold down, (2 baffles on 400) ¹	11.20	13.46	1
31	073864	150	Flue collector	211.40	254.02	1
31	075622	200	Flue collector	236.62	284.32	1
31	073863	250	Flue collector	236.62	284.32	1
31	075623	300	Flue collector	CALL	CALL	1
31	075624	350	Flue collector	CALL	CALL	1
31	073862	400	Flue collector	236.62	284.32	1
32	470471	150	Outdoor top assembly	441.46	530.46	1
32	470472	200	Outdoor top assembly	468.69	563.18	1
32	470473	250	Outdoor top assembly	444.76	534.42	1
32	470474	300	Outdoor top assembly	508.30	610.77	1
32	470475	350	Outdoor top assembly	CALL	CALL	1
32	470476	400	Outdoor top assembly	509.07	611.70	1

LIGHTBACK SHIELD

33	075783	150	Propane gas units only	CALL	CALL	1
33	075784	200	Propane gas units only	CALL	CALL	1
33	075785	250	Propane gas units only	34.20	41.09	1
33	075786	300	Propane gas units only	CALL	CALL	1
33	075787	350	Propane gas units only	34.55	41.52	1
33	075788	400	Propane gas units only	39.16	47.05	1
34	471677		Electronic thermostat kit, millivolt models ¹	179.17	215.29	1
35	073789		Panel, return ¹	33.32	40.04	1
36	472127		Panel, in/out ¹	141.58	170.12	1
37	472101		Thermistor, probe, complete millivolt models ¹	46.94	56.40	1

NOT SHOWN

	070715		Plastic mounting bracket ¹	1.56	1.87	
	471277		Clips for wire harness ¹	6.11	7.34	
	075511		Wire kit, millivolt ¹	CALL	CALL	
	071703		Screw, 8 x 1/4 in. HH ¹	CALL	CALL	
	071698		Screw, 8 x 1/2 in. HH ¹	1.56	1.87	
	071716		Screw, 6 x 1/4 in. ¹	1.56	1.87	
	071659		Screw, 10-32 x 1/4 in. ¹	CALL	CALL	
	075692		Screw, 10-32 x 3/16 in. ¹	CALL	CALL	
	070551		Bushing 1/2 in. ¹	CALL	CALL	
	470414		Therm knob stopper ¹	8.38	10.07	2
	073725		Bolt, 5/16 in.-18 x 3/4 in. ¹	1.69	2.03	2

Item	Part No.	Mod.	Description	US List	Can. List	Qty.
	See pg. 445		Orifice main burner, natural ^{1,5}			
	See pg. 445		Orifice main burner, propane ^{1,5}			
	471292		Pilot, natural, millivolt ¹	73.21	87.97	1
	471291		Pilot, propane, millivolt ¹	73.21	87.97	1
	071515		Pilot, generator ¹	118.57	142.47	1
	075173		Thermal cutoff, fusible link ¹	23.65	28.42	1
	472330		Power element, flow-valve ¹	170.27	204.60	1
	471293		Pilot rainshield ¹	32.12	38.60	1
	471328		Pilot electrode (only) ¹	104.31	125.34	1
	074540		"L" brackets ¹	6.30	7.57	3
	471271		Bracket adapter Q379 pilot MV ¹	21.21	25.49	1
	072253		Jumper ¹	6.11	7.34	1
	471612		Door latch ¹	12.19	14.65	1
	075461		Electrode Assembly	79.17	95.13	1

¹ Part No. used in Model Nos., 150, 200, 250, 300, 350, 400.

² Part No. used in Model Nos., 150, 200.

³ Part No. used in Model Nos., 250, 300.

⁴ Part No. used in Model Nos., 350, 400.

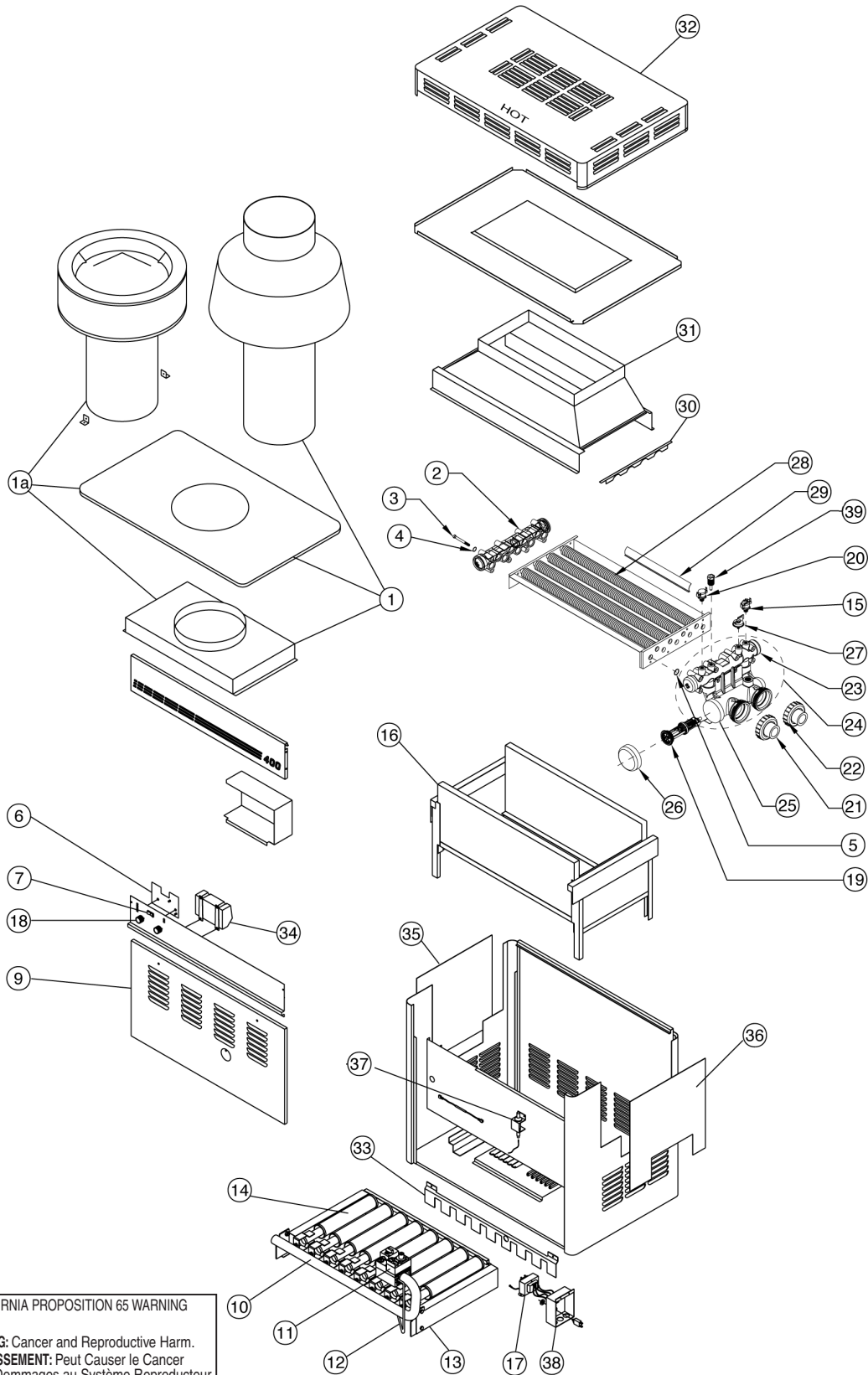
⁵ Qty. = Model N or P 150 (3 ea.), 200 (4 ea.), 250 (5 ea.), 300 (6 ea.), 350 (7 ea.), 400 (8 ea.). For complete orifice requirements, see pages 445.

⁶ Qty. = Model 150 (2 ea.), 200 (3 ea.), 250 (4 ea.), 300 (5 ea.), 350 (6 ea.), 400 (7 ea.).

CALIFORNIA PROPOSITION 65 WARNING
 ⚠️ WARNING: Cancer and Reproductive Harm.
 ⚠️ AVERTISSEMENT: Peut Causer le Cancer et des Dommages au Système Reproducteur.
 ⚠️ ADVERTENCIA: Cáncer y Daño Reproductivo.
 www.p65warnings.ca.gov. PA22017A

MINIMAX® CH HEATER, 150 IID MODEL

REPLACEMENT PARTS



CALIFORNIA PROPOSITION 65 WARNING
 ⚠️ **WARNING:** Cancer and Reproductive Harm.
 ⚠️ **AVERTISSEMENT:** Peut Causer le Cancer et des Dommages au Système Reproducteur.
 ⚠️ **ADVERTENCIA:** Cáncer y Daño Reproductivo.
www.p65warnings.ca.gov PK32019A




MINIMAX® CH HEATER, 150 IID MODEL (CONT'D)

REPLACEMENT PARTS

Item	Part No.	Description	US List	Can. List	Qty.
MINIMAX® CH, 150 IID					
1	460227	Vent kit assembly, indoor	CALL	CALL	1
1a	460237	Vent kit assembly, outdoor	CALL	CALL	1
2	471991	Return header assembly	89.47	107.51	1
3	471622	Bolt, heat exchanger	1.69	2.03	16
4	072184	Washer 3/8 in. ID 7/8 in. OD	1.69	2.03	16
5	070951	Tube seal gasket	1.60	1.92	18
6	470179	Electronic thermostat circuit board, IID Model	243.86	293.02	1
7	470186	Switch rocker, single pole & double throw	13.92	16.73	1
9	075468	Door, millivolt or IID	127.44	153.13	1
10	070256	Manifold burner	67.64	81.28	1
11	073998	Gas valve natural, IID	414.45	498.00	1
11	073999	Gas valve propane, IID	414.45	498.00	1
12	075191	Pilot tube, IID	CALL	CALL	
13	073752	Burner tray assembly, natural, complete, IID	CALL	CALL	1
13	073906	Burner tray assembly, propane, complete, IID	CALL	CALL	1
14	070230	Burner	133.64	160.58	2
14a	470550	Burner with pilot bracket, not shown	CALL	CALL	1
15	473605	Pressure switch	85.14	102.30	1
16	073858	Combustion chamber assembly, complete	554.20	665.93	1
17	471360	Transformer, w/ circuit breaker, dual voltage	81.99	98.52	1
18	470184	Thermostat knob	14.20	17.06	2
19	471750	Flow valve assembly	231.81	278.54	1
20	471587	Hi-limit thermostat 115°	54.62	65.63	1
21	471441	Adaptor, bulkhead, 2 in.	19.76	23.74	2
22	274440	Adaptor, bulkhead ring	18.14	21.80	2
23	471993	Main manifold assembly	71.65	86.09	1
24	471992	Main header assembly	535.46	643.41	1
25	471419	Main manifold bottom	77.03	92.56	1
26	471420	Cap, main manifold bottom	15.17	18.23	1
27	471694	Hi-limit thermostat 150°	55.65	66.87	1
28	472131	Heat exchanger, without heads	834.61	1002.87	1
28	472169	Heat exchanger, with heads	1275.91	1533.13	1
29	070277	Baffle	7.23	8.69	8
30	472329	Baffle hold down, (2 baffles on 400)	11.20	13.46	1
31	073864	Flue collector	211.40	254.02	1
32	470471	Outdoor top assembly	441.46	530.46	1

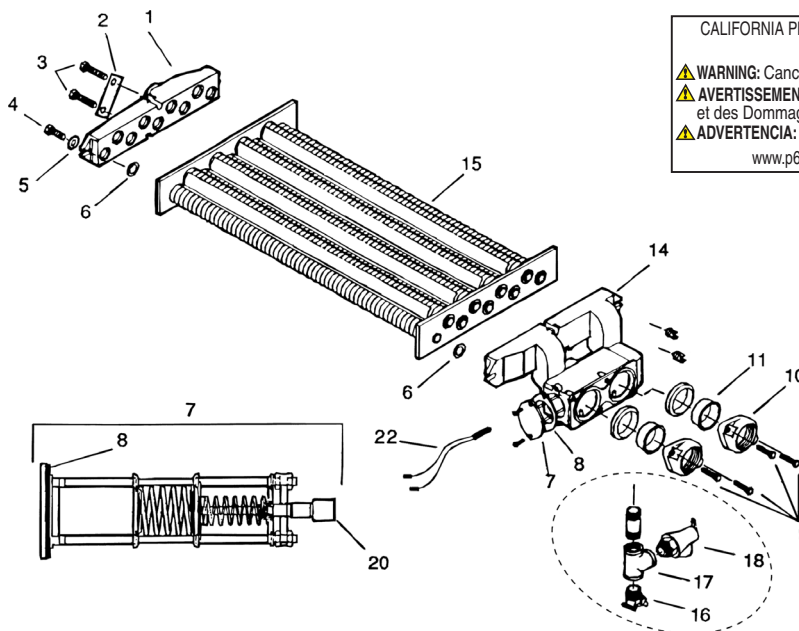
Item	Part No.	Description	US List	Can. List	Qty.
33	075783	Lightback shield (propane gas units only)	CALL	CALL	1
34	073584	Module natural gas	366.52	440.41	1
	073585	Module propane gas	378.53	454.84	1
35	073789	Panel, return	33.32	40.04	1
36	472127	Panel, in/out	141.58	170.12	1
37	075459	Ignitor millivolt MMX	22.46	26.99	1
38	470122	Junction box	37.81	45.43	1
39	472101	Thermistor Probe MMX CH	46.94	56.40	1
NOT SHOWN					
	070715	Plastic mounting bracket	1.56	1.87	
	471277	Clips for wire harness	6.11	7.34	
	075511	Wire kit, millivolt	CALL	CALL	
	071703	Screw, 8 x 1/4 in. HH	CALL	CALL	
	071698	Screw 8 x 1/2 in. HH	1.56	1.87	
	071716	Screw, 6 x 1/4 in.	1.56	1.87	
	071659	Screw, 10-32 x 1/4 in.	CALL	CALL	
	075692	Screw, 10-32 x 3/16 in.	CALL	CALL	
	070551	Bushing, 1/2 in.	CALL	CALL	
	470414	Therm knob stopper	8.38	10.07	2
	073725	Bolt 5/16 in., 18 x 3/4 in.	1.69	2.03	2
	See pg. 445	Orifice main burner, natural			3
	See pg. 445	Orifice main burner, propane			3
	471292	Pilot, natural, millivolt	73.21	87.97	1
	471291	Pilot, propane, millivolt	73.21	87.97	1
	071515	Pilot, generator	118.57	142.47	1
	075173	Thermal cutoff, fusible link	23.65	28.42	1
	472330	Power element, flow-valve	170.27	204.60	1
	471293	Pilot rainshield	32.12	38.60	1
	471328	Pilot electrode, only	104.31	125.34	1
	074540	"L" brackets	6.30	7.57	3
	471271	Bracket adapter Q379 pilot, MV	21.21	25.49	
	072253	Jumper	6.11	7.34	
	471612	Door latch	12.19	14.65	1

CALIFORNIA PROPOSITION 65 WARNING

 **WARNING:** Cancer and Reproductive Harm.
 **AVERTISSEMENT:** Peut Causer le Cancer et des Dommages au Système Reproducteur.
 **ADVERTENCIA:** Cáncer y Daño Reproductivo.
www.p65warnings.ca.gov

HEAT EXCHANGER

REPLACEMENT PARTS FOR MINIMAX HEATER MODELS '91 TO 01-97



CALIFORNIA PROPOSITION 65 WARNING
 ⚠️ **WARNING:** Cancer and Reproductive Harm.
 ⚠️ **AVERTISSEMENT:** Peut Causer le Cancer et des Dommages au Système Reproducteur.
 ⚠️ **ADVERTENCIA:** Cáncer y Daño Reproductivo.
www.p65warnings.ca.gov P65017A

Item	Part No.	Description	US List	Can. List
HEAT EXCHANGER				
1	070994	Return header	266.43	320.14
2	072180	Bracket washer, 2 req.	1.56	1.87
3	073739	Bolt, 3/8, 16 x 2 in. plt., 4 req.	1.65	1.98
4	070416	Bolt, hh. 3/8-16 x 1-1/2 in. SS, 4 req.	1.56	1.87
5	072180	Washer, 3/8 in. i.d., 1 in. o.d., 4 req.	1.56	1.87
6	070951	Tube seal gasket, 18 req.	1.60	1.92
7	471424	Flow valve assembly	170.29	204.62
8	074015	Gasket flow valve	6.30	7.57
9	075492	Bolt, 3/8-16 x 2-1/2 in. plt., 4 req.	1.69	2.03
10	075284	Quick flange kit ¹	CALL	CALL
10	075283	Flange only	CALL	CALL
11	070544	Bushing in/out, 2 in. Lexan, 2 req.	6.11	7.34
12	071895	Sleeve rubber, in/out, 2 in., 2 req.	11.52	13.84
13	071017	Hi-limit 135/120, 2 req.	50.81	61.05
14	070985	Main header in/out	782.52	940.28
15	074452	Assembly, w/o heads 150, 17 lbs.	915.74	1100.35
15	075628	Assembly, w/o heads 200, 20 lbs.	1006.89	1209.88
15	074451	Assembly, w/o heads 250, 22 lbs.	1231.01	1479.18

Item	Part No.	Description	US List	Can. List
15	075629	Assembly, w/o heads 300, 25 lbs.	1242.58	1493.08
15	075630	Assembly, w/o heads 350, 28 lbs.	1361.18	1635.59
15	074074	Assembly, w/o heads 400, 30 lbs.	1499.52	1801.82
15	470364	Assembly, w/ heads 150	CALL	CALL
15	470365	Assembly, w/ heads 200	CALL	CALL
15	470366	Assembly, w/ heads 250	CALL	CALL
15	470367	Assembly, w/ heads 300	CALL	CALL
15	470368	Assembly, w/ heads 350	CALL	CALL
15	470369	Assembly, w/ heads 400	CALL	CALL
16	072134	Valve boiler drain 3/4 in.	32.85	39.47
18	072138	Valve relief, 3/4 in. 50#, ASME or local code	90.98	109.32
20	472330	Power element	170.27	204.60
22	070274	Sensor bulb	55.04	66.14

NOT SHOWN				
	075285	Assembly bag quick flange ASME heaters	CALL	CALL

¹ Includes quick flange unit, (4) bolts, (4) washers, (2) 2 in. bushings, (2) 1-1/2 in. bushings, (2) sleeves.

MINIMAX® HEATER VENT KITS AND ACCESSORIES

FOR MINIMAX HEATERS

Ordering Information

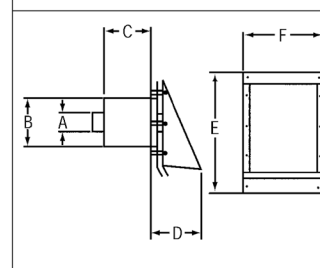
Product	Used On	For Heater Size
OUTDOOR VENT KITS		
471357	SPA	75/100
460237	CH	150
460222	CH	200
460223	CH	250
460224	CH	300
460225	CH	350
460226	CH	400
460424	All NT Models	All Sizes
INDOOR VENT KITS		
471187	SPA	75/100
460227	CH	150
460228	CH	200
460230	CH	250
460231	CH	300
460233	CH	350
460234	CH	400
460506	All NT Models	All BTU sizes 4-inch dia. Vent
460507	All NT Models	All BTU sizes 5-inch dia. Vent



Outdoor Vent Kit for MiniMax Heater

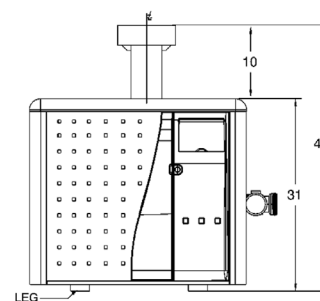


Indoor Vent Adaptors



Dimensions and Performance

Product	Heater Model	Dim. A	Dim. B	Dim. C	Dim. D	Dim. E	Dim. F
THROUGH WALL VENT KITS							
471532	4-inch Dia NT	4	6	8.5	6.312	12.625	10.625
471543	5-inch Dia NT	5	8	8.5	8	12.625	10.625



Contact Factory for proper installation on older MiniMax Heater Models.

See Engineering Data pages 603-614 for information on selecting the proper size heater and for heater gas supply and pipe sizing information.

CALIFORNIA PROPOSITION 65 WARNING

⚠️ **WARNING:** Cancer and Reproductive Harm.
 ⚠️ **AVERTISSEMENT:** Peut Causer le Cancer et des Dommages au Système Reproducteur.
 ⚠️ **ADVERTENCIA:** Cáncer y Daño Reproductivo.



www.p65warnings.ca.gov. P65-2017-1-A

AIR PRESSURE SWITCHES

Part No.	Model	Fuel	Size	Elevation	Air Pressure Switch		
					Part No.	Color	Setting
AIR PRESSURE SWITCH							
460534	NT STD	Nat	200	0-2999	472678Z	White	0.40
460563	NT STD	Nat	200	3000-5999	472325	Blue	0.35
460427	NT STD	Nat	200	6000-9999	472325	Blue	0.35
460533	NT STD	Nat	250	0-2999	472181	Orange	0.75
460557	NT STD	Nat	250	3000-5999	472180	Green	0.65
460428	NT STD	Nat	250	6000-9999	472326	White	0.55
460532	NT STD	Nat	300	0-2999	472327	Gray	0.80
460551	NT STD	Nat	300	3000-5999	472180	Green	0.65
460429	NT STD	Nat	300	6000-9999	472326	White	0.55
460531	NT STD	Nat	400	0-2999	472183	Violet	1.35
460545	NT STD	Nat	400	3000-5999	472328	Pink	1.05
460430	NT STD	Nat	400	6000-9999	472328	Pink	1.05
460561	NT STD ASME	Nat	200	0-2999	472178	White	0.40
460565	NT STD ASME	Nat	200	3000-5999	472325	Blue	0.35
460447	NT STD ASME	Nat	200	6000-9999	472325	Blue	0.35
460555	NT STD ASME	Nat	250	0-2999	472181	Orange	0.75
460559	NT STD ASME	Nat	250	3000-5999	472180	Green	0.65
460448	NT STD ASME	Nat	250	6000-9999	472326	White	0.55
460549	NT STD ASME	Nat	300	0-2999	472327	Gray	0.80
460553	NT STD ASME	Nat	300	3000-5999	472180	Green	0.65
460449	NT STD ASME	Nat	300	6000-9999	472326	White	0.55
460543	NT STD ASME	Nat	400	0-2999	472183	Violet	1.35
460547	NT STD ASME	Nat	400	3000-5999	472328	Pink	1.05
460450	NT STD ASME	Nat	400	6000-9999	472328	Pink	1.05
460538	NT STD	LP	200	0-2999	472178	White	0.40
460564	NT STD	LP	200	3000-5999	472325	Blue	0.35
460439	NT STD	LP	200	6000-9999	472325	Blue	0.35
460537	NT STD	LP	250	0-2999	472181	Orange	0.75
460558	NT STD	LP	250	3000-5999	472180	Green	0.65
460440	NT STD	LP	250	6000-9999	472326	White	0.55
460536	NT STD	LP	300	0-2999	472327	Gray	0.80
460552	NT STD	LP	300	3000-5999	472180	Green	0.65
460441	NT STD	LP	300	6000-9999	472326	White	0.55
460535	NT STD	LP	400	0-2999	472183	Violet	1.35
460546	NT STD	LP	400	3000-5999	472328	Pink	1.05
460442	NT STD	LP	400	6000-9999	472328	Pink	1.05
460562	NT STD ASME	LP	200	0-2999	472178	White	0.40
460566	NT STD ASME	LP	200	3000-5999	472325	Blue	0.35
460443	NT STD ASME	LP	200	6000-9999	472325	Blue	0.35
460556	NT STD ASME	LP	250	0-2999	472181	Orange	0.75
460560	NT STD ASME	LP	250	3000-5999	472180	Green	0.65
460444	NT STD ASME	LP	250	6000-9999	472326	White	0.55
460550	NT STD ASME	LP	300	0-2999	472327	Gray	0.80
460554	NT STD ASME	LP	300	3000-5999	472180	Green	0.65
460445	NT STD ASME	LP	300	6000-9999	472326	White	0.55
460544	NT STD ASME	LP	400	0-2999	472183	Violet	1.35
460548	NT STD ASME	LP	400	3000-5999	472328	Pink	1.05
460446	NT STD ASME	LP	400	6000-9999	472328	Pink	1.05
460540	NT Lonox	Nat	200	0-2999	472178	Red	0.22
460568	NT Lonox	Nat	200	3000-5999	472324	L. Blue	0.18
460431	NT Lonox	Nat	200	6000-9999	472324	L. Blue	0.18
460576	NT Lonox	Nat	250	0-2999	472180	Green	0.65

Part No.	Model	Fuel	Size	Elevation	Air Pressure Switch		
					Part No.	Color	Setting
460569	NT Lonox	Nat	250	3000-5999	472326	White	0.55
460432	NT Lonox	Nat	250	6000-9999	472326	White	0.55
460539	NT Lonox	Nat	300	0-2999	472181	Orange	0.75
460570	NT Lonox	Nat	300	3000-5999	472180	Green	0.65
460433	NT Lonox	Nat	300	6000-9999	472326	White	0.55
460577	NT Lonox	Nat	400	0-2999	472182	Yellow	0.95
460571	NT Lonox	Nat	400	3000-5999	472327	Gray	0.80
460434	NT Lonox	Nat	400	6000-9999	472181	Orange	0.75
460541	NT Lonox ASME	Nat	200	0-2999	472178	Red	0.22
460572	NT Lonox ASME	Nat	200	3000-5999	472324	L. Blue	0.18
460451	NT Lonox ASME	Nat	200	6000-9999	472324	L. Blue	0.18
460510	NT Lonox ASME	Nat	250	0-2999	472180	Green	0.65
460573	NT Lonox ASME	Nat	250	3000-5999	472326	White	0.55
460452	NT Lonox ASME	Nat	250	6000-9999	472326	White	0.55
460542	NT Lonox ASME	Nat	300	0-2999	472181	Orange	0.75
460574	NT Lonox ASME	Nat	300	3000-5999	472180	Green	0.65
460465	NT Lonox ASME	Nat	300	6000-9999	472326	White	0.55
460511	NT Lonox ASME	Nat	400	0-2999	472182	Yellow	0.95
460575	NT Lonox ASME	Nat	400	3000-5999	472327	Gray	0.80
460466	NT Lonox ASME	Nat	400	6000-9999	472181	Orange	0.75
460720	NT TSI	Nat	200	0-2999	472178	Red	0.22
460724	NT TSI	Nat	200	3000-5999	472178	Red	0.22
460435	NT TSI	Nat	200	6000-9999	472324	L. Blue	0.18
460721	NT TSI	Nat	250	0-2999	472179	Brown	0.45
460725	NT TSI	Nat	250	3000-5999	472179	Brown	0.45
460436	NT TSI	Nat	250	6000-9999	472325	Blue	0.35
460722	NT TSI	Nat	300	0-2999	472182	Yellow	0.95
460726	NT TSI	Nat	300	3000-5999	472327	Gray	0.80
460437	NT TSI	Nat	300	6000-9999	472181	Orange	0.75
460723	NT TSI	Nat	400	0-2999	472182	Yellow	0.95
460727	NT TSI	Nat	400	3000-5999	472327	Gray	0.80
460438	NT TSI	Nat	400	6000-9999	472181	Orange	0.75
460412	NT TSI ASME	Nat	200	0-2999	472178	Red	0.22
460416	NT TSI ASME	Nat	200	3000-5999	472178	Red	0.22
460467	NT TSI ASME	Nat	200	6000-9999	472324	L. Blue	0.18
460413	NT TSI ASME	Nat	250	0-2999	472179	Brown	0.45
460417	NT TSI ASME	Nat	250	3000-5999	472179	Brown	0.45
460468	NT TSI ASME	Nat	250	6000-9999	472325	Blue	0.35
460414	NT TSI ASME	Nat	300	0-2999	472182	Yellow	0.95
460418	NT TSI ASME	Nat	300	3000-5999	472327	Gray	0.80
460469	NT TSI ASME	Nat	300	6000-9999	472181	Orange	0.75
460415	NT TSI ASME	Nat	400	0-2999	472182	Yellow	0.95
460419	NT TSI ASME	Nat	400	3000-5999	472327	Gray	0.80
460470	NT TSI ASME	Nat	400	6000-9999	472181	Orange	0.75

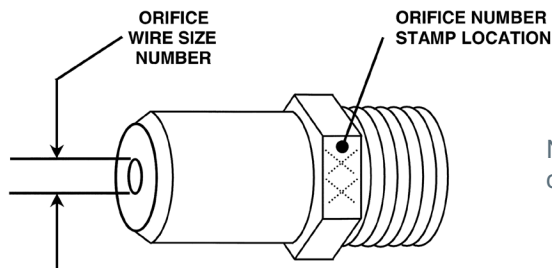
CALIFORNIA PROPOSITION 65 WARNING

 **WARNING:** Cancer and Reproductive Harm.
 **AVERTISSEMENT:** Peut Causer le Cancer et des Dommages au Système Reproducteur.
 **ADVERTENCIA:** Cáncer y Daño Reproductivo.
www.p65warnings.ca.gov

P65-2011-11

BURNER ORIFICE CHART

FOR MINIMAX HEATERS



Note: Some Models may have a different configuration of the orifice.

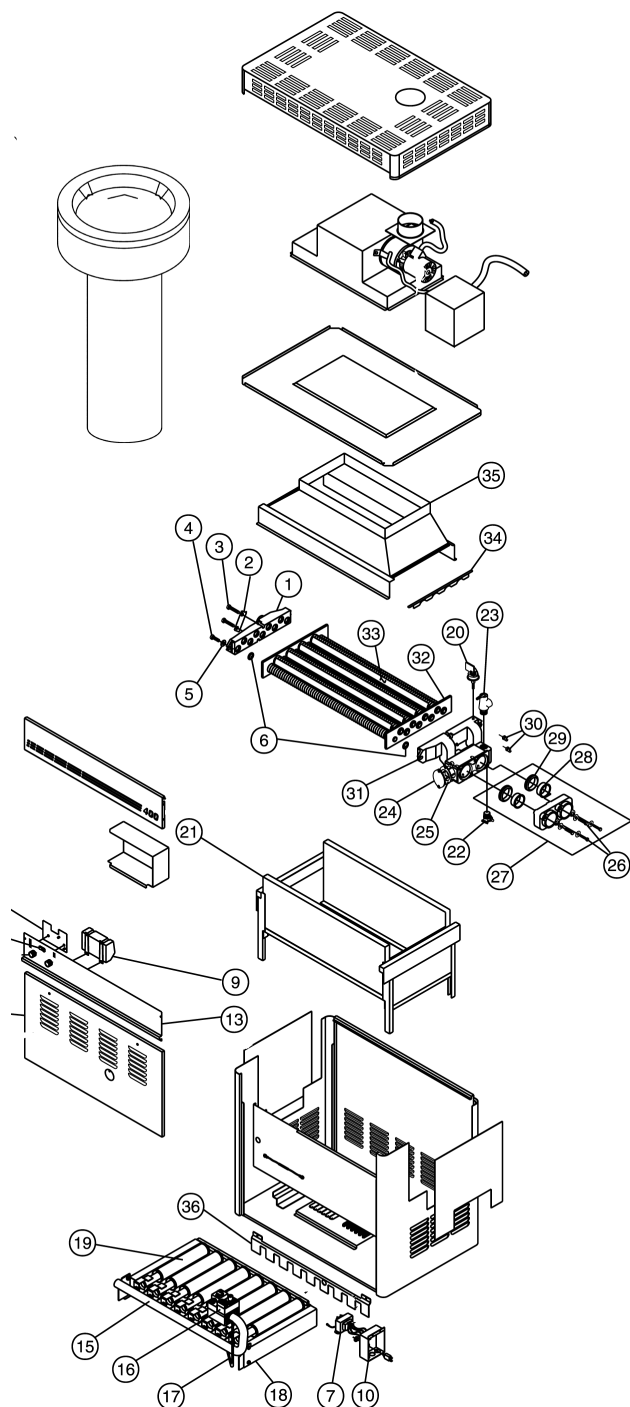
MiniMax Model Used on	Gas Type	Specified Altitude	Part No.	Orifice No.	Orifice Dia.	Color
NATURAL GAS HEATER ORIFICE CHART						
NT STD	NA	0–2999 ft.	073727	30	.1285	Green
NT STD	NA	3000–5999 ft.	472569	1/8	.1250	No Color
NT STD	NA	6000–9999 ft.	071466	31	.1200	No Color
NT STD	NA	10,000 (+) ft.	071467	32	.1160	No Color
NT LN	NA	0–2999 ft.	471984	1/8	.1250	No Color
NT LN	NA	3000–5999 ft.	471985	31	.1200	No Color
NT LN	NA	6000–9999 ft.	471985	31	.1200	No Color
NT LN	NA	10,000 (+) ft.	471986	32	.1160	No Color
NT TSI	NA	0–2999 ft.	472434	23	.1540	No Color
NT TSI	NA	3000–5999 ft.	472496	25	.1495	No Color
NT TSI	NA	6000–9999 ft.	472263	26	.1470	No Color
NT TSI	NA	10,000 (+) ft.	472264	27	.1440	No Color
CH	NA	0–2999 ft.	073727	30	.1285	Green
CH	NA	3000–5999 ft.	472569	1/8	.1250	No Color
CH	NA	6000–9999 ft.	071466	31	.1200	No Color
CH	NA	10,000 (+) ft.	071467	32	.1160	No Color
Commercial	NA	0–2999 ft.	470656	20	.1610	No Color
Commercial	NA	3000–5999 ft.	471975	23	.1540	No Color
Commercial	NA	6000–9999 ft.	470777	24	.1520	No Color
Commercial	NA	10,000 (+) ft.	471974	26	.1470	No Color
PROPANE GAS HEATER ORIFICE CHART						
NT STD	LP	0–2999 ft.	073728	45	.0820	Red
NT STD	LP	3000–5999 ft.	071461	47	.0785	No Color
NT STD	LP	6000–9999 ft.	071462	48	.0760	No Color
NT STD	LP	10,000 (+) ft.	471973	49	.0730	No Color
CH	LP	0–2999 ft.	073728	45	.0820	Red
CH	LP	3000–5999 ft.	071461	47	.0785	No Color
CH	LP	6000–9999 ft.	071462	48	.0760	No Color
CH	LP	10,000 (+) ft.	471973	49	.0730	No Color

CALIFORNIA PROPOSITION 65 WARNING

⚠ **WARNING:** Cancer and Reproductive Harm.
 ⚠ **AVERTISSEMENT:** Peut Causer le Cancer et des Dommages au Système Reproducteur.
 ⚠ **ADVERTENCIA:** Cáncer y Daño Reproductivo.
www.p65warnings.ca.gov

POWERMAX® HEATER

REPLACEMENT PARTS



OPTIONAL OUTDOOR VENT

471395	Models 150, 200	CALL	CALL
471396	Models 250, 400	CALL	CALL

CALIFORNIA PROPOSITION 65 WARNING

⚠ **WARNING:** Cancer and Reproductive Harm.
 ⚠ **AVERTISSEMENT:** Peut Causer le Cancer et des Dommages au Système Reproducteur.
 ⚠ **ADVERTENCIA:** Cáncer y Daño Reproductivo.
www.p65warnings.ca.gov

Item	Part No.	Mod.	Description	Qty.	US List	Can. List
POWERMAX® HEATER						
1	070994		Return header ¹	1	266.43	320.14
2	074216		Bracket washer ¹	2	CALL	CALL
3	073739		Bolt, hh. 3/8 in. x 2 in. ¹	4	1.65	1.98
4	070416		Bolt, 3/8, 16 x 1-1/2 in. ¹	4	1.56	1.87
5	072180		Washer 3/8 in. i.d., 1 in. o.d. ¹	4	1.56	1.87
6	070951		Tube seal gasket ¹	18	1.60	1.92
7	471360		Transformer w/ circuit breaker, dual voltage ¹	1	81.99	98.52
8	470179		Electronic thermostat circuit board, IID models ¹	1	243.86	293.02
9	073584		Module natural gas ¹	1	366.52	440.41
9	073585		Module propane gas ¹	1	378.53	454.84
10	470122		Junction box, IID units ¹	1	37.81	45.43
11	470184		Thermostat knob ¹	2	14.20	17.06
12	470186		Switch rocker, sngl. pole & dbl. throw ¹	1	13.92	16.73
CONTROL PANEL ASSEMBLY, COMPLETE						
14	075468	150	Door, IID	1	127.44	153.13
14	075604	200	Door, IID	1	184.70	221.94
14	075488	250	Door, IID	1	136.31	163.79
14	075606	350	Door, IID	1	238.62	286.73
14	075490	400	Door, IID	1	249.52	299.82
15	070256	150	Manifold burner	1	67.64	81.28
15	075525	200	Manifold burner	1	71.99	86.50
15	070257	250	Manifold burner	1	75.94	91.25
15	075526	300	Manifold burner	1	80.76	97.04
15	075527	350	Manifold burner	1	81.06	97.40
15	070258	400	Manifold burner	1	89.76	107.86
16	073998		Gas valve natural, IID ¹	1	414.45	498.00
16	073999		Gas valve propane, IID ¹	1	414.45	498.00
17	075191		Pilot tube, IID ²	1	CALL	CALL
17	075192		Pilot tube, IID ³	1	CALL	CALL
17	075193		Pilot tube, IID ⁴	1	CALL	CALL
BURNER TRAY ASSEMBLY, COMPLETE						
18	073752	150	Natural, IID	1	CALL	CALL
18	075499	200	Natural, IID	1	CALL	CALL
18	073751	250	Natural, IID	1	CALL	CALL
18	075500	300	Natural, IID	1	CALL	CALL
18	075501	350	Natural, IID	1	CALL	CALL
18	073750	400	Natural, IID	1	CALL	CALL

POWERMAX® HEATER (CONT'D)

REPLACEMENT PARTS

Item	Part No.	Mod.	Description	Qty.	US List	Can. List
BURNER TRAY ASSEMBLY, COMPLETE						
18	073906	150	Propane, IID	1	CALL	CALL
18	075508	200	Propane, IID	1	CALL	CALL
18	073905	250	Propane, IID	1	CALL	CALL
18	075509	300	Propane, IID	1	CALL	CALL
18	075510	350	Propane, IID	1	CALL	CALL
18	073904	400	Propane, IID	1	CALL	CALL
19	070230		Burner ¹	8	133.64	160.58
19a	470550		Burner w/ pilot bracket ¹	1	CALL	CALL
20	470190		Pressure switch ¹	1	CALL	CALL
COMBUSTION CHAMBER ASSEMBLY, COMPLETE						
21	073858	150	Assembly	1	554.20	665.93
21	075586	200	Assembly	1	593.00	712.55
21	073857	250	Assembly	1	646.41	776.73
21	075587	300	Assembly	1	676.85	813.30
21	075588	350	Assembly	1	661.86	795.29
21	073856	400	Assembly	1	743.63	893.55
22	072134		Valve drain 3/4 in. ¹	1	32.85	39.47
23	072138		Valve relief 3/4 in. 50# ^{1,7}	1	90.98	109.32
24	471424		Flow valve assembly standard, complete ¹	1	170.29	204.62
24	073989		Flow valve assembly ASME, complete ¹	1	CALL	CALL
25	074015		Flow valve gasket ¹	4	6.30	7.57
26	075492		Bolt 3/8, 16 x 2-1/2 ¹	2	1.69	2.03
27	075284		Quick flange kit ¹	1	CALL	CALL
28	070544		Bushing in/out Lexan ¹	2	6.11	7.34
29	071895		Sleeve, rubber in/out 2 in. ¹	2	11.52	13.84
30	071017		Safety shut-off ¹	2	50.81	61.05
31	070985		Main header, in/out ¹	1	782.52	940.28
HEAT EXCHANGER, WITH HEADS						
32	470364	150	Heat exchanger	1	CALL	CALL
32	470365	200	Heat exchanger	1	CALL	CALL
32	470366	250	Heat exchanger	1	CALL	CALL
32	470367	300	Heat exchanger	1	CALL	CALL
32	470368	350	Heat exchanger	1	CALL	CALL
32	470369	400	Heat exchanger	1	CALL	CALL
HEAT EXCHANGER, WITHOUT HEADS						
32	074452	150	Heat exchanger	1	915.74	1100.35
32	075628	200	Heat exchanger	1	1006.89	1209.88
32	074451	250	Heat exchanger	1	1231.01	1479.18
32	075629	300	Heat exchanger	1	1242.58	1493.08
32	075630	350	Heat exchanger	1	1361.18	1635.59
32	074074	400	Heat exchanger	1	1499.52	1801.82
33	070277	150	Baffle	8	7.23	8.69
33	075559	200	Baffle	8	6.11	7.34
33	070276	250	Baffle	8	7.23	8.69
33	075560	300	Baffle	8	6.78	8.15
33	070277	350	Baffle	16	7.23	8.69
33	070278	400	Baffle	16	7.75	9.31

Item	Part No.	Mod.	Description	Qty.	US List	Can. List
34	472329		Baffle hld. down, 2 baffles on 400, 350	1	11.20	13.46
35	073864	150	Flue collector	1	211.40	254.02
35	075622	200	Flue collector	1	236.62	284.32
35	073863	250	Flue collector	1	236.62	284.32
35	075623	300	Flue collector	1	CALL	CALL
35	075624	350	Flue collector	1	CALL	CALL
35	073862	400	Flue collector	1	236.62	284.32
LIGHTBACK SHIELD (NATURAL GAS UNITS ONLY)						
36	075783	150	Lightback shield	2	CALL	CALL
36	075784	200	Lightback shield	2	CALL	CALL
36	075785	250	Lightback shield	2	34.20	41.09
36	075786	300	Lightback shield	2	CALL	CALL
36	075787	350	Lightback shield	2	34.55	41.52
36	075788	400	Lightback shield	2	39.16	47.05
NOT SHOWN						
	070715		Plastic mounting bracket ¹		1.56	1.87
	470965		Wire kit, harness IID, complete ¹		CALL	CALL
	071703		Screw, 8 x 1/4 in. hh. ¹		CALL	CALL
	071698		Screw, 8 x 1/2 in. hh. ¹		1.56	1.87
	071716		Screw, 6 x 1/4 in. ¹		1.56	1.87
	071659		Screw, 10-32 x 1/4 in. ¹		CALL	CALL
	075692		Screw, 10-32 x 3/16 ¹		CALL	CALL
	070551		Bushing, 1/2 in. ¹		CALL	CALL
	470414		Therm. knob stopper ¹	2	8.38	10.07
	472330		Power element, flow-valve ¹	1	170.27	204.60
	073725		Bolt 5/16, 18 x 3/4 in. ¹	2	1.69	2.03
	073727		Orifice main burner natural ^{1,6}		7.62	9.16
	073728		Orifice main burner propane ^{1,6}		CALL	CALL
	471204		Pilot, natural, IID ¹	1	131.45	157.95
	471205		Pilot, propane, IID ¹	1	131.45	157.95
	075173		Thermal cut-off ¹	1	23.65	28.42
	470180		Thermistor, probe, complete, IID Models ¹	1	50.85	61.10
	470181		Stem, thermostat control, IID models	2	6.11	7.34

¹ Part No. used in Model Nos., 150, 200, 250, 300, 350, 400.

² Part No. used in Model Nos., 150, 200.

³ Part No. used in Model Nos., 250, 300.

⁴ Part No. used in Model Nos., 350, 400.

⁵ Part No. used in Model Nos., 150, 250, 300, 350, 400.

⁶ Qty. = Model N or P 150 (3 ea.), 200 (4 ea.), 250 (5 ea.), 300 (6 ea.), 350 (7 ea.), 400 (8 ea.).

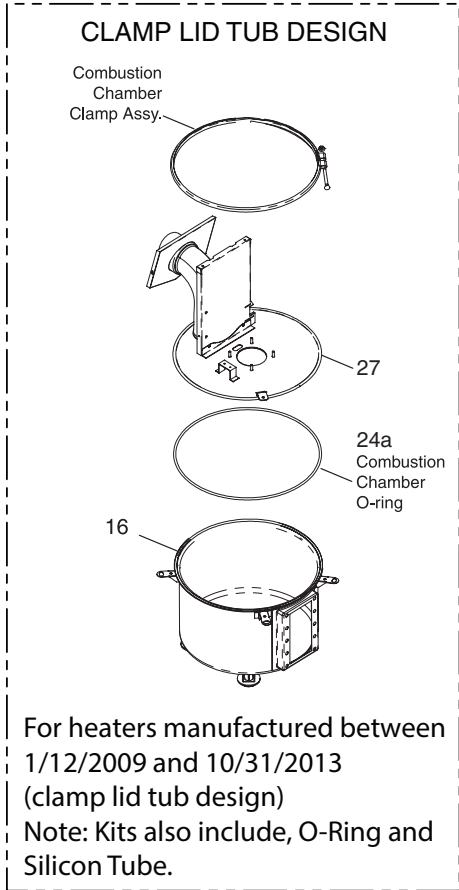
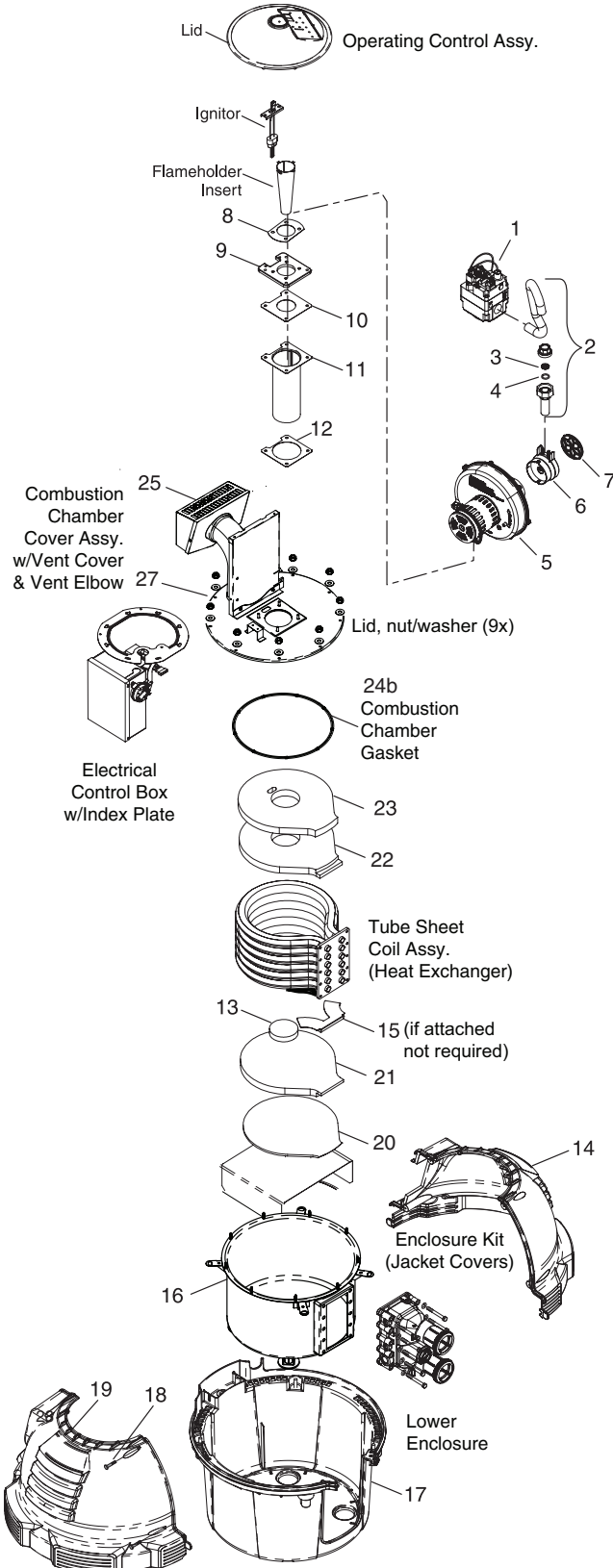
⁷ ASME or Local Code.

⁸ Qty. = Model 150 (2 ea.), 200 (3 ea.), 250 (4 ea.), 300 (5 ea.), 350 (6 ea.), 400 (7 ea.).

⁹ Previously Manufactured Model.

MAX-E-THERM® HEATER

BURNER SYSTEM REPLACEMENT PARTS



CALIFORNIA PROPOSITION 65 WARNING

⚠ **WARNING:** Cancer and Reproductive Harm.
 ⚠ **AVERTISSEMENT:** Peut Causer le Cancer et des Dommages au Système Reproducteur.
 ⚠ **ADVERTENCIA:** Cáncer y Daño Reproductivo.

www.p65warnings.ca.gov. PK20171A

Product on page 108–109.

MAX-E-THERM® HEATER (CONT'D)

BURNER SYSTEM REPLACEMENT PARTS



Item	Part No.	Description	US List	Can. List
MAX-E-THERM BURNER SYSTEM				
1	42001-0051S	Combination Gas Control Valve Kit	482.37	579.62
2	38404-4097S	3/4 in. Union	39.57	47.55
5	77707-0251	Air Blower Kit, Natural - 200NA Model (Single Volt Blower Adapter Included)	912.04	1095.91
5	77707-0252	Air Blower Kit, Natural - 333NA Model (Single Volt Blower Adapter Included)	912.04	1095.91
5	77707-0253	Air Blower Kit, Natural - 400NA Model (Single Volt Blower Adapter Included)	912.04	1095.91
5	77707-0254	Air Blower Kit, Propane - 200LP Model (Single Volt Blower Adapter Included)	912.04	1095.91
5	77707-0255	Air Blower Kit, Propane - 333LP Model (Single Volt Blower Adapter Included)	912.04	1095.91
5	77707-0256	Air Blower Kit, Propane - 400LP Model (Single Volt Blower Adapter Included)	912.04	1095.91
14	77707-0002	Enclosure Kit, Upper Right-Hand	240.02	288.41
16	474095	One Piece Metal Chamber/Combustion Chamber Assembly ²	752.05	903.66
16	474957	One Piece Metal Chamber/Combustion Chamber Assembly ¹	468.07	562.43
17	42001-0001S	Lower Enclosure	584.81	702.71
19	77707-3200N	Enclosure Kit, Upper Left-Hand – Natural (200)	250.12	300.54
19	77707-3333N	Enclosure Kit, Upper Left-Hand – Natural (333)	250.12	300.54
19	77707-3400N	Enclosure Kit, Upper Left-Hand – Natural (400)	250.12	300.54
19	77707-3200L	Enclosure Kit, Upper Left-Hand – Propane (200)	250.12	300.54
19	77707-3333L	Enclosure Kit, Upper Left-Hand – Propane (333)	250.12	300.54
19	77707-3400L	Enclosure Kit, Upper Left-Hand – Propane (400)	CALL	CALL
24a	474201	Combustion Chamber O-Ring Kit ²	53.52	64.31
24b	474952	Combustion Chamber O-Ring Kit ¹	50.12	60.22
27	474094	One Piece Metal Elbow/Combustion Chamber Cover Assembly ²	851.00	1022.56
27	474958	One Piece Metal Elbow/Combustion Chamber Cover Assembly ¹	532.89	640.32
28	42002-0005S	Metal Vent Cover	145.18	174.45
29	42001-0074S	Kit Lower Enclosure Insulation	60.83	73.09

Item	Part No.	Description	US List	Can. List
NOT SHOWN				
	77707-0431	Gas Orifice Kit – Natural - 200 Model (Incl. 3 & 4) *	60.39	72.56
	77707-0421	Gas Orifice Kit – Natural - 333 Model (Incl. 3 & 4) *	60.39	72.56
	77707-0411	Gas Orifice Kit – Natural - 400 Model (Incl. 3 & 4) *	60.39	72.56
	77707-0461	Gas Orifice Kit – Propane - 200 Model (Incl. 3 & 4) *	60.39	72.56
	77707-0451	Gas Orifice Kit – Propane - 333 Model (Incl. 3 & 4) *	60.39	72.56
	77707-0441	Gas Orifice Kit – Propane - 400 Model (Incl. 3 & 4) *	60.39	72.56
	77707-1461	NG to Propane Conversion Kit – 200 Model (Incl. 3 & 4) *	62.43	75.02
	77707-1451	NG to Propane Conversion Kit – 333 Model (Incl. 3 & 4) *	62.43	75.02
	77707-1441	NG to Propane Conversion Kit – 400 Model (Incl. 3 & 4) *	62.43	75.02
	77707-1431	Propane to NG Conversion Kit – 200 Model (Incl. 3 & 4) *	62.43	75.02
	77707-1421	Propane to NG Conversion Kit – 333 Model (Incl. 3 & 4) *	62.43	75.02
	77707-1411	Propane to NG Conversion Kit – 400 Model (Incl. 3 & 4) *	62.43	75.02
	77707-0111	Air Orifice Kit - (Incl. 6 & 7, 200 Model Only)	72.63	87.27
	77707-0112	Air Orifice Kit - (Incl. 6 & 7, 333 Model Only)	72.63	87.27
	77707-0113	Air Orifice Kit - (Incl. 6 & 7, 400 Model Only)	72.63	87.27
	77707-0011	Blower/Adapter Plate Gasket Kit - (Incl. 8, 9, 10, & 12)	71.54	85.96
	77707-0202	Flameholder Kit - 200 Model (Incl. 10, 11, 12 & 13)	169.98	204.25
	77707-0203	Flameholder Kit - 333 Model (Incl. 10, 11, 12, 13, & Flameholder Insert)	191.23	229.78
	77707-0204	Flameholder Kit - 400 Model (Incl. 10, 11, 12, 13, & Flameholder Insert)	223.09	268.06
	42001-0074S	Lower Enclosure Insulation	60.83	73.09
	77707-0008	Insulation Kit (Incl. 13, 15, 23, 24, 25, 26)	173.20	208.12
	77707-0112	Air Orifice Kit 333 Model	72.63	87.27
	77707-0113	Air Orifice Kit 400 Model	72.63	87.27

* Not included with heater. Order separately.

¹ For Heaters Manufactured after 11/16/13 (New 9-Bolt Lid Tub Design).

² For Heaters Manufactured after 1/12/09 (Clamp Lid Tub Design).

Note: Kits include Clamp assembly, O-ring and silicone tube.

CALIFORNIA PROPOSITION 65 WARNING

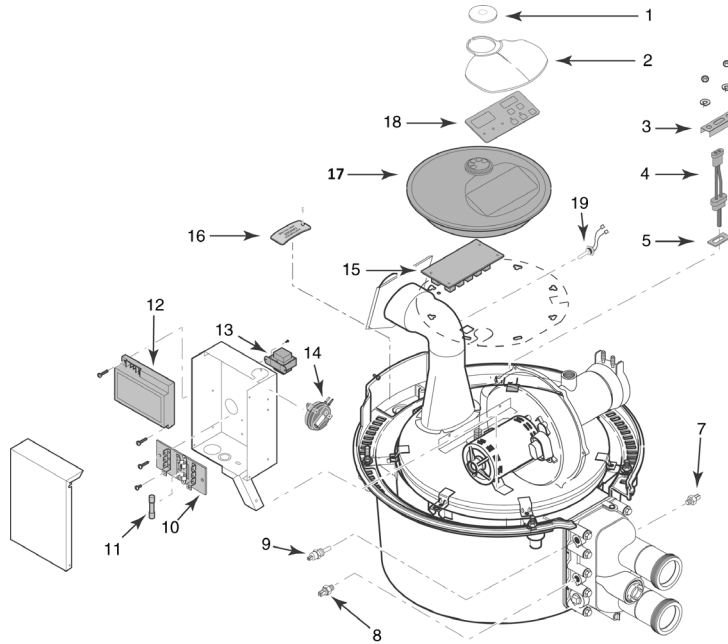
▲ **WARNING:** Cancer and Reproductive Harm.
▲ **AVERTISSEMENT:** Peut Causer le Cancer et des Dommages au Système Reproducteur.
▲ **ADVERTENCIA:** Cáncer y Daño Reproductivo.

www.p65warnings.ca.gov. PH20014A



MAX-E-THERM® HEATER

ELECTRICAL SYSTEM REPLACEMENT PARTS



Item	Part No.	Description	Qty.	US List	Can. List
MAX-E-THERM ELECTRICAL SYSTEM					
1	77707-0009	Display Cover Retainer Cap Kit, Cap and CPSC Warning Label	1	79.17	95.13
2	42001-0008S	Heater Display Cover	1	44.50	53.47
3	42001-0030S	Igniter Bracket	1	59.36	71.33
4	77707-0054	Igniter/Igniter Gasket Kit (Incl. Key Nos. 4 and 5)	1	92.00	110.55
5	42001-0066S	Igniter Gasket	1	59.36	71.33
7	42002-0025S	Automatic Gas Shutoff Switch (AGS)	1	56.57	67.97
8	42001-0063S	High Limit Switch	1	68.78	82.65
9	42001-0053S	Thermistor	1	87.87	105.58
10	42001-0056S	Terminal Board	1	59.36	71.33
11	32850-0099	Fireman's Switch Fuse (1.25A, 1-1/4 in.)	1	8.31	9.99
12	42001-0052S	Ignition Control Module	1	368.88	443.25
13	42001-0107S	Transformer, 115/230V	1	75.03	90.16
13	42001-0057S	Transformer 120/240V, Single Adapter Only*	1	70.86	85.15
14	42001-0061S	Air Flow Switch	1	152.13	182.80

Item	Part No.	Description	Qty.	US List	Can. List
15	42002-0007S	Control Board Kit (NA, LP Series)	1	698.39	839.19
16	77707-0022	Junction Box Cover Kit	1	59.36	71.33
17	77707-0013	Enclosure for Control Board (Incl. #17, 18)	1	298.72	358.94
18	42002-0029Z	Switch Membrane Replacement	1	152.42	183.15
19	42002-0024S	Stack Flue Sensor	1	132.21	158.86
19b	42002-0009	Stack Flue Switch	1	CALL	CALL
NOT SHOWN					
	42001-0104S	Heater Wiring Harness - 115/230V	1	366.05	439.85
	42001-0105S	120/240 Volt Plug Kit	1	59.36	71.33
	42002-0009	Temp Probe		CALL	CALL
	42001-0057S	Transformer 120/240 (Dual and Single Adapter)	1	70.86	85.15
	42001-0247	Blower Adapter Dual/Single Volt	1	42.97	51.63

* For single voltage wire harness heaters prior to 2004.

CALIFORNIA PROPOSITION 65 WARNING
⚠️ WARNING: Cancer and Reproductive Harm.
⚠️ AVERTISSEMENT: Peut Causer le Cancer et des Dommages au Système Reproducteur.
⚠️ ADVERTENCIA: Cáncer y Daño Reproductivo.
www.p65warnings.ca.gov

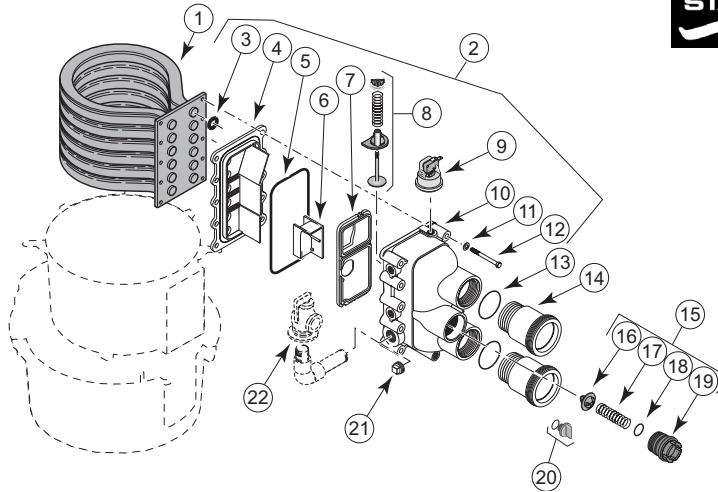
Product on page 108–109.

MAX-E-THERM® HEATER

WATER SYSTEM REPLACEMENT PARTS



CALIFORNIA PROPOSITION 65 WARNING
⚠️ WARNING: Cancer and Reproductive Harm.
⚠️ AVERTISSEMENT: Peut Causer le Cancer et des Dommages au Système Reproducteur.
⚠️ ADVERTENCIA: Cáncer y Daño Reproductivo.
www.p65warnings.ca.gov



Item	Part No.	Description	US List	Can. List
MAX-E-THERM WATER SYSTEM				
1	77707-0232	Tube Sheet Coil Assembly Kit (NA, LP Series) (Incl. No. 3) - 200 Models	962.12	1156.08
1	474058	Tube Sheet Coil Assembly Kit (NA, LP Series) (Incl. No. 3) - 200 Models ¹	1000.62	1202.34
1	77707-0233	Tube Sheet Coil Assembly Kit (NA, LP Series) (Incl. No. 3) - 333 Models	1346.96	1618.51
1	474060	Tube Sheet Coil Assembly Kit (NA, LP Series) (Incl. No. 3) - 333 Models ¹	1385.47	1664.78
1	77707-0234	Tube Sheet Coil Assembly Kit (NA, LP Series) (Incl. No. 3) - 400 Models	1500.90	1803.48
1	474061	Tube Sheet Coil Assembly Kit (NA, LP Series) (Incl. No. 3) - 400 Models ¹	1654.85	1988.47
1	77707-0242	Tube Sheet Coil Assembly Kit (HD Series) (Incl. No. 3) - 200 Models	1399.26	1681.35
1	474062	Tube Sheet Coil Assembly Kit (HD Series) (Incl. No. 3) - 200 Models ¹	1939.50	2330.50
1	77707-0243	Tube Sheet Coil Assembly Kit (HD Series) (Incl. No. 3) - 333 Models	2078.19	2497.15
1	474064	Tube Sheet Coil Assembly Kit (HD Series) (Incl. No. 3) - 333 Models ¹	2270.60	2728.35
1	77707-0244	Tube Sheet Coil Assembly Kit (HD Series) (Incl. No. 3) - 400 Models	2424.54	2913.33
1	474065	Tube Sheet Coil Assembly Kit (HD Series) (Incl. No. 3) - 400 Models ¹	2501.52	3005.83
2	77707-0014	Manifold Kit (Incl. Nos. 3-14, 20-21, and 7-9 in "Electrical System" (Page 300) - 200 Models	707.03	849.57
2	77707-0015	Manifold Kit (Incl. Nos. 3-14, 20-21, and 7-9 in "Electrical System" (Page 300) - 333 Models	707.03	849.57
2	77707-0016	Manifold Kit (Incl. Nos. 3-14, 20-21, and 7-9 in "Electrical System" (Page 300) - 400 Models	707.03	849.57
2	474200	Basic Manifold Kit (Incl. Nos. 3, 10-14)	225.58	271.06
3	77707-0117	Coil/Tubesheet Sealing O-Ring Kit - 200 Model (6)	59.36	71.33
3	77707-0118	Coil/Tubesheet Sealing O-Ring Kit - 333 Model (10)	59.36	71.33

Item	Part No.	Description	US List	Can. List
3	77707-0119	Coil/Tubesheet Sealing O-Ring Kit - 400 Model (12)	59.36	71.33
8	77707-0001	Manifold Bypass Valve Package	62.90	75.58
9	42001-0060S	Water Pressure Switch	90.80	109.11
13	U9-266	O-Ring	3.81	4.58
14	77707-0017	Connector Tube Kit (Includes 1 Connector Tube and 1 O-Ring)	60.33	72.49
15	77707-0010	Thermal Regulator Kit (Incl. Key 16-19 and Spring Clip)	114.92	138.09
16	38000-0007S	Thermal Regulator (Includes Spring Clip)	79.17	95.13
18	35505-1313	Thermal Regulator Cap O-ring (O-ring only)	5.06	6.08
20	U178-920P	Drain Plug	3.67	4.41
21	U78-60ZPS	3/4 in. Pipe Plug	6.99	8.40
22	473715Z	Kit Pressure Relief Valve	173.50	208.48
23	PKG 188Z	2 in. Union Adapter Package (includes 2)	33.51	40.27

ASME KITS				
	472648Z	Bypass Access Plug (Old Header Design ASME)	389.58	468.12
	77707-0120	O-Ring Kit (Incl. Nos. 3, 5)	48.32	58.06
	474096	Heat Exchanger Kit - 400 ASME ³	3272.89	3932.70
	474956	Heat Exchanger Kit ⁵ - 400 ASME	3272.89	3932.70
	460923	ASME Bypass Valve Kit ⁴ (Old Header Design)	338.67	406.95
	461007	ASME Bypass Valve Tool Kit ⁴ (Old Header Design)	205.25	246.63
	460924	Thermal Regulator Kit (incl. spring clip & install tools) (ASME) (Old Heater Design) ⁴	165.50	198.86
	460941	Heat Exchanger Kit - 250 ASME ²	CALL	CALL
	474097	Heat Exchanger Kit - 250 ASME ³	2941.94	3535.04

¹ For Heaters Manufactured after 1/12/09

³ For ASME Heaters Manufactured After 3/24/09 (Tub Design w/Clamp Ring).

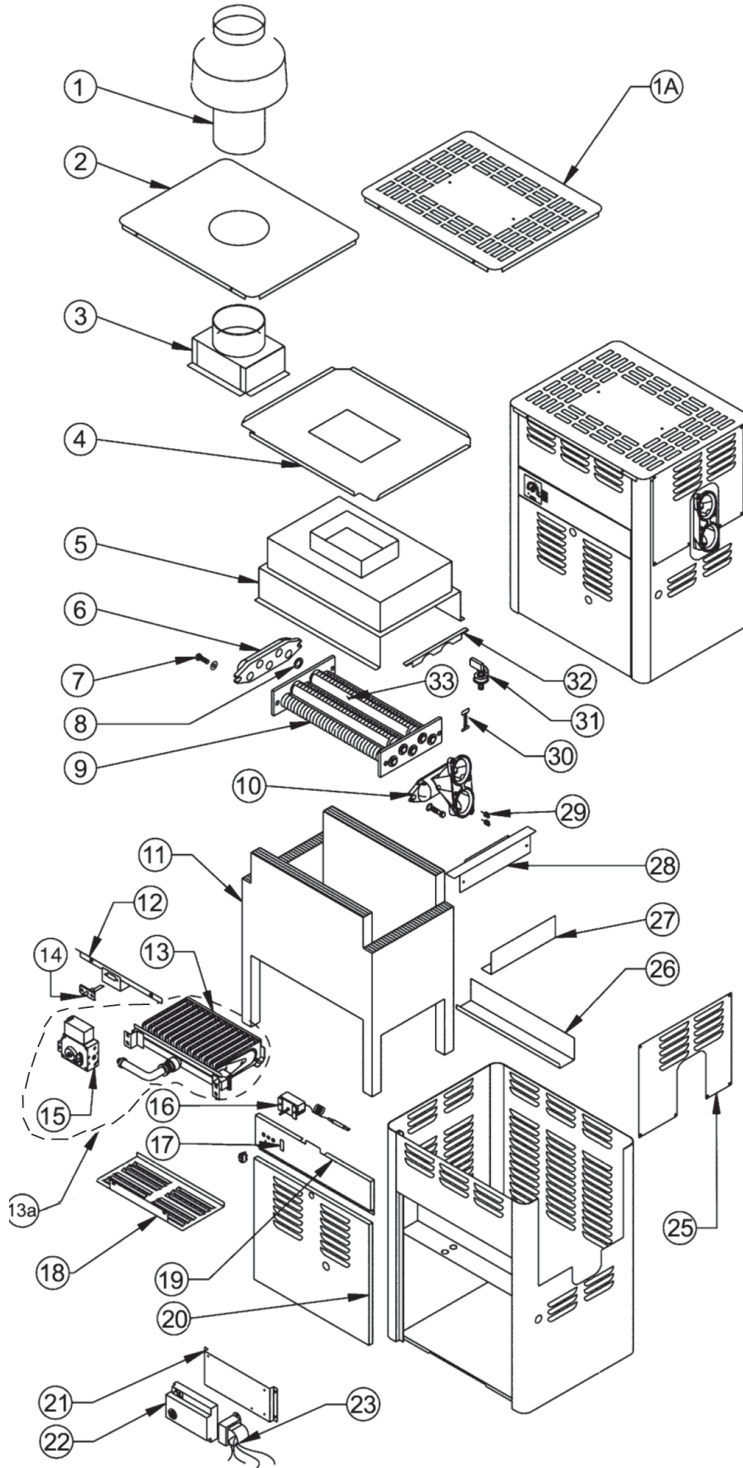
⁴ For ASME Heaters Manufactured Prior to 10/2012 (Old Header Design).

⁵ For ASME Heaters Manufactured After 11/16/13 (New 9-Bolt Tub Design).

Note: Kits include Clamp, O-rings, Insulation, Igniter and Blower Gaskets.

MINIMAX® 75 AND 100 HEATERS

REPLACEMENT PARTS



CALIFORNIA PROPOSITION 65 WARNING

⚠ **WARNING:** Cancer and Reproductive Harm.
 ⚠ **AVERTISSEMENT:** Peut Causer le Cancer
 et des Dommages au Système Reproducteur.
 ⚠ **ADVERTENCIA:** Cáncer y Daño Reproductivo.
www.p65warnings.ca.gov

MINIMAX® 75 AND 100 HEATERS (CONT'D)

REPLACEMENT PARTS

Item	Part No.	Description	Qty.	US List	Can. List
MINIMAX® 75 AND 100 HEATERS					
1	471187	Indoor draft hood kit ¹	1	CALL	CALL
1A	471213	Outdoor top	1	140.05	168.28
2	471075	Indoor top, cover ¹	1	92.32	110.93
3	471214	Indoor stack adapter ¹	1	CALL	CALL
4	471069	Middle top	1	68.04	81.76
5	471059	Flue collector	1	CALL	CALL
6	471096	Return header	1	78.24	94.01
7	471200	Bolt, 3/8 x 16 UNC x 3/4	4	1.56	1.87
8	070951	Rubber seal tube	10	1.60	1.92
9	471093	Heat exchanger less heads	1	524.09	629.75
10	471094	Main header, inlet/outlet	1	251.99	302.79
11	471061	Insulation, front	1	46.21	55.53
11	471062	Insulation, back	1	43.08	51.76
11	471063	Insulation, sides	1	32.83	39.45
12	471058	Ignitor electrode bracket	1	38.27	45.99
13	471122	Burner, natural gas	1	360.02	432.60
13	471136	Burner, propane gas	1	360.02	432.60
13	471850	Burner, 75, natural gas	1	CALL	CALL
13a	471219	Burner tray assembly, complete, natural gas, millivolt	1	1050.12	1261.82
13a	471236	Burner tray assembly, complete, propane, millivolt	1	CALL	CALL
13a	471076	Burner tray assembly, complete, natural gas, DSI	1	807.33	970.09
13a	471077	Burner tray assembly, complete, propane, DSI	1	807.33	970.09
14	471090	Ignitor electrode	1	54.82	65.87
15	471088	Gas valve, natural, DSI, w/ bracket	1	306.57	368.37
15	471089	Gas valve, propane, DSI, w/ bracket	1	306.57	368.37
15	471436	Gas valve-natural, millivolt,	1	374.09	449.51
15	471435	Gas valve, propane, millivolt,	1	374.09	449.51
16	471431	Electronic thermostat, direct spark models	1	170.29	204.62
16	072022	Thermostat, millivolt models	1	CALL	CALL
17	471128	On/off switch S.P.S.T.	1	8.35	10.03
18	471070	Heat shield burner tray	1	CALL	CALL
19	471078	Control panel assembly	1	293.71	352.92
20	471067	Door assembly	1	103.61	124.50
21	471159	Control bracket	1	CALL	CALL

¹ Indoor draft hood kit consisting of indoor draft hood (471198) and items 2 & 3.

Item	Part No.	Description	Qty.	US List	Can. List
22	471091	Ignition control DSI	1	293.43	352.59
23	471360	Transformer w/ circuit MMX	1	81.99	98.52
25	471071	Inspection panel	1	23.25	27.94
26	471169	Burner tray back support	1	CALL	CALL
27	471166	Burner tray side support	2	CALL	CALL
28	471164	Heat exchanger support brackets	2	25.01	30.05
29	071017	Hi-limit safety switch	2	50.81	61.05
30	471095	Flow valve, assembly	1	106.49	127.96
31	471097	Pressure switch	1	49.71	59.73
32	471064	Baffle hold down bracket	1	11.31	13.59
33	471065	Flue baffle	4	6.78	8.15
NOT SHOWN					
	075173	Thermal cutoff, fusible link	1	23.65	28.42
	471292	Pilot natural gas, millivolt	1	73.21	87.97
	471291	Pilot propane, millivolt	1	73.21	87.97
	071515	Thermopile generator	1	118.57	142.47
	075284	Quick-flange kit for 2 in. slip connection	1	CALL	CALL
	471083	Quick-flange II kit for 1-1/2 in. thd. Connection	1	60.15	72.28
	471201	Kit wiring, MMX 100 millivolt	1	101.53	122.00
	471202	Kit wiring, MMX 100 DSI	1	119.41	143.48
	470184	Knob	1	14.20	17.06
	470414	Knob stopper	1	8.38	10.07
	075459	Presslite Piezo ignitor assembly, millivolt	1	22.46	26.99
	072136	Valve drain, 1/4 NPT	1	21.84	26.24
	471092	Hi-tension ignition cable	1	25.63	30.80
	070544	Rubber bushing, 2 in. i.d.	2	6.11	7.34
	471221	Pilot bracket/shield, millivolt		15.22	18.29
	471260	Manifold		38.05	45.72
	471138	Rod flow valve	1	17.84	21.44
	471139	Spring flow valve	1	7.86	9.44
	471140	Plug flow valve	1	36.02	43.28
	471141	Plunger flow valve	1	6.78	8.15
	076618	Pilot Tube		10.71	12.87
	075190	Break Away Fitting		6.78	8.15

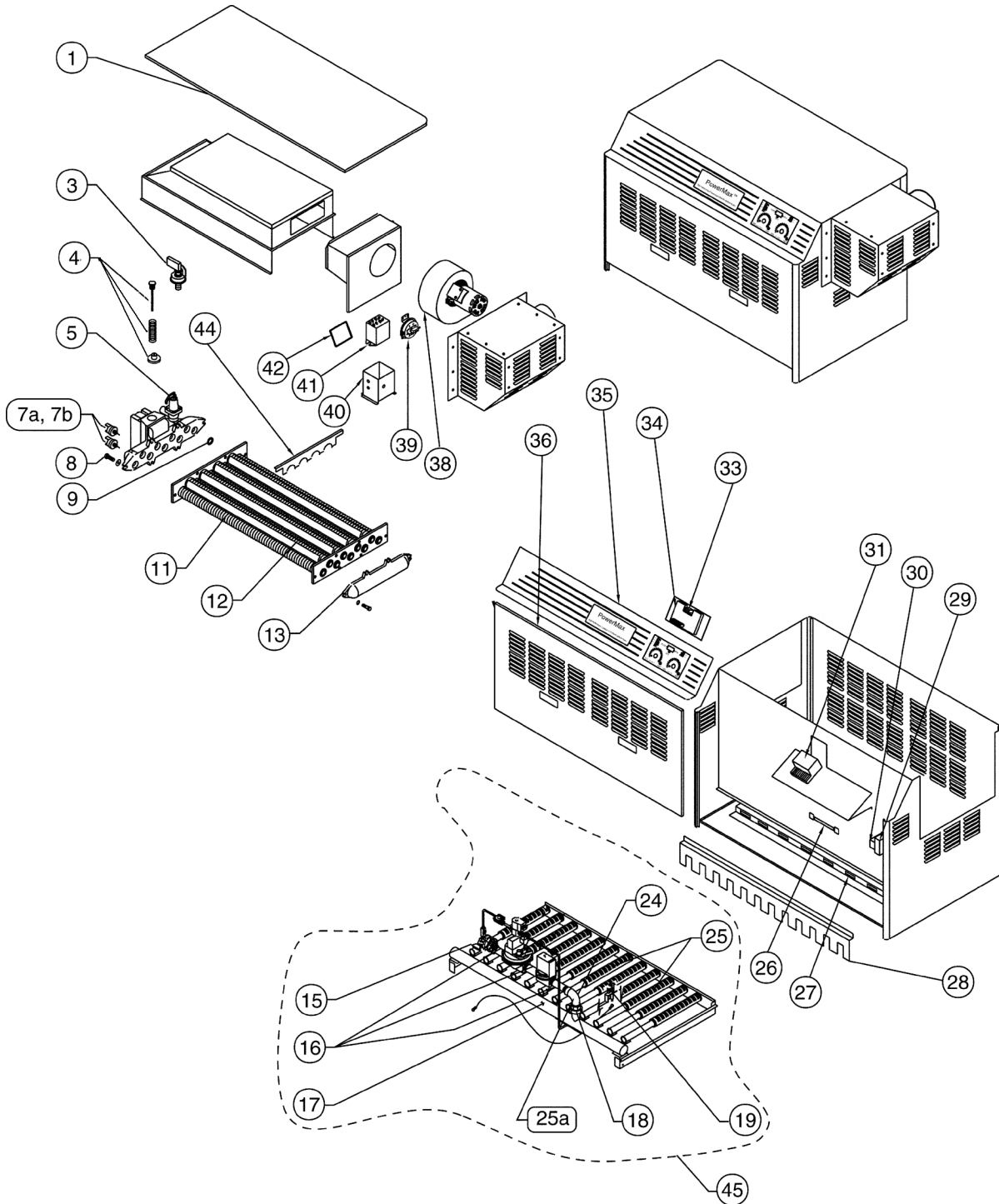
CALIFORNIA PROPOSITION 65 WARNING

▲ **WARNING:** Cancer and Reproductive Harm.
▲ **AVERTISSEMENT:** Peut Causer le Cancer et des Dommages au Système Reproducteur.
▲ **ADVERTENCIA:** Cáncer y Daño Reproductivo.

www.p65warnings.ca.gov
PR000114

POWERMAX® COMMERCIAL HEATER

MANUFACTURED PRIOR TO JULY 2006 - REPLACEMENT PARTS



CALIFORNIA PROPOSITION 65 WARNING

⚠ **WARNING:** Cancer and Reproductive Harm.
 ⚠ **AVERTISSEMENT:** Peut Causer le Cancer et des Dommages au Système Reproducteur.
 ⚠ **ADVERTENCIA:** Cáncer y Daño Reproductivo.
www.p65warnings.ca.gov

POWERMAX® COMMERCIAL HEATER (CONT'D)

MANUFACTURED PRIOR TO JULY 2006 - REPLACEMENT PARTS

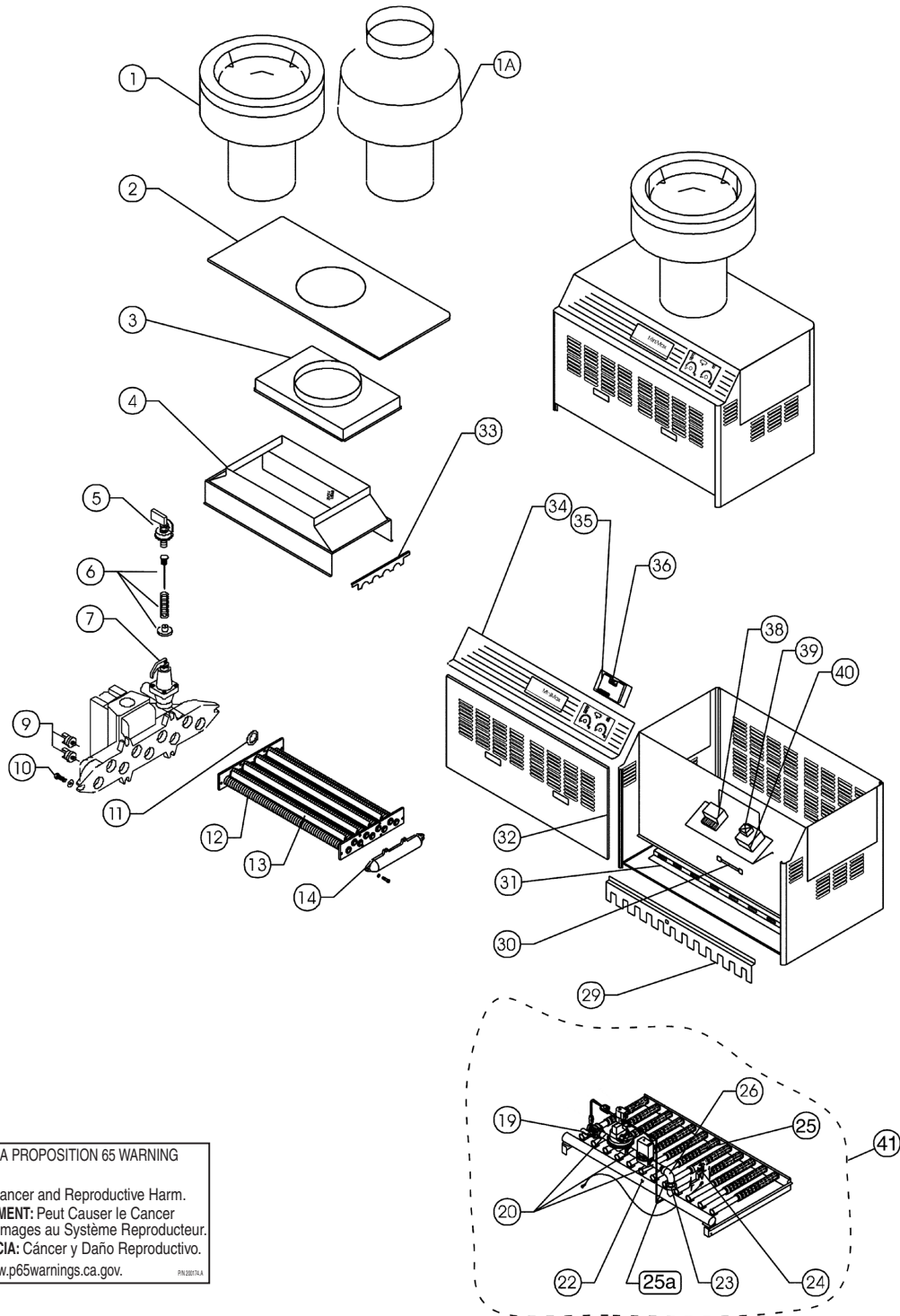
Item	Part No.	Description	US List	Can. List
POWERMAX® COMMERCIAL HEATER				
1	471310	Top cover (Model 900)	CALL	CALL
3	470190	Pressure switch	CALL	CALL
4	470747	Flow valve assembly (Model 525)	CALL	CALL
4	471114	Flow valve assembly (Model 750)	CALL	CALL
4	471115	Flow valve assembly (Model 900)	CALL	CALL
5	470768	Pressure relief valve	CALL	CALL
7a	071017	Hi-limit switch, 150° shut-off	50.81	61.05
7b	471175	Hi-limit switch, 135° shut-off	80.48	96.70
8	470966	Bolts	28.12	33.79
9	470742	Rubber seal	6.30	7.57
10	470979	Combustion chamber (Model 900)	CALL	CALL
11	470735	Heat Exchanger Assembly (Model 525)	CALL	CALL
11	470736	Heat exchanger assembly (Model 750)	CALL	CALL
11	470737	Heat exchanger assembly (Model 900)	CALL	CALL
12	470645	Baffle (Model 525)	29.57	35.53
12	470646	Baffle (Model 750)	27.55	33.10
13	470646	Baffle (Model 900)	27.55	33.10
14	470745	Return header	CALL	CALL
14	470772	Pilot manual valve (Model 900)	CALL	CALL
15	470773	Main shut-off valve	CALL	CALL
17	470653	Manifold (Model 750)	CALL	CALL
19	471204	Pilot Q3451B1178 natural	131.45	157.95
19	471205	Pilot Q3451B1236 propane	131.45	157.95
20	470771	Pilot regulator (Model 900)	140.27	168.55
21	470770	Pilot valve (Model 900)	363.54	436.83
22	470688	Gas valve solenoid 900 (Model 900)	CALL	CALL
22	470688	Gas valve natural (Model 525 & 750)	CALL	CALL
22	470892	Gas valve propane (Model 525 & 750)	CALL	CALL
23	470687	Gas valve diaphragm natural (Model 900)	1038.27	1247.59
25	471537	Burner alternate comm	133.92	160.92
25a	471545	Burner w/ pilot bracket (Model 525)	CALL	CALL

Item	Part No.	Description	US List	Can. List
26	075173	Thermal cut-off	23.65	28.42
28	470792	Retainer shield (Model 525)	50.01	60.09
28	470794	Retainer shield (Model 900)	CALL	CALL
29	471426	Junction box	43.59	52.38
30	471571	Transformer	95.08	114.25
31	073584	Module IID S8600F natural	366.52	440.41
31	073585	Module IID S8600H propane	378.53	454.84
33	470186	Rocker switch	13.92	16.73
34	470179	Thermostat board	243.86	293.02
35	470753	Control panel (Model 525)	CALL	CALL
35	470754	Control panel (Model 750)	CALL	CALL
35	470755	Control panel (Model 900)	752.68	904.42
38	471313	Blower (Model 525)	CALL	CALL
38	471314	Blower (Model 750 & 900)	CALL	CALL
39	471428	Air pressure switch	CALL	CALL
40	470331	Blower control box	CALL	CALL
41	470010	Relay	CALL	CALL
44	470799	Baffles hold down	31.67	38.05
45	470648	Burner tray assembly natural (Model 525)	CALL	CALL
45	470649	Burner tray assembly natural (Model 750)	CALL	CALL
45	470650	Burner tray assembly natural (Model 900)	CALL	CALL
45	470669	Burner tray assembly propane (Model 750)	CALL	CALL
NOT SHOWN				
	470180	Thermistor (probe) complete	50.85	61.10
	470181	Stem, thermostat control	6.11	7.34
	470184	Knob, thermostat	14.20	17.06

CALIFORNIA PROPOSITION 65 WARNING
 ⚠️ WARNING: Cancer and Reproductive Harm.
 ⚠️ AVERTISSEMENT: Peut Causer le Cancer et des Dommages au Système Reproducteur.
 ⚠️ ADVERTENCIA: Cáncer y Daño Reproductivo.
www.p65warnings.ca.gov PN20231A

MINIMAX® COMMERCIAL HEATER

MANUFACTURED PRIOR TO JULY 2006 - REPLACEMENT PARTS



CALIFORNIA PROPOSITION 65 WARNING

▲ **WARNING:** Cancer and Reproductive Harm.
 ▲ **AVERTISSEMENT:** Peut Causer le Cancer et des Dommages au Système Reproducteur.
 ▲ **ADVERTENCIA:** Cáncer y Daño Reproductivo.

www.p65warnings.ca.gov

In January 1996, the circuit boards for MiniMax Heaters were changed at the terminals by request of the American National Standard Institute (ANSI) and the American Gas Association (A.G.A.), the two approval agencies for the manufacturing of gas heaters in the United States. If you have a heater manufactured before January 1, 1996 and you receive a newer circuit board with the smaller terminals and the older thermistor has larger connectors, the larger connectors can be crimped so they will fit tight on the newer circuit board terminals, contact a Pool Service Professional for details.

MINIMAX® COMMERCIAL HEATER (CONT'D)

REPLACEMENT PARTS

Item	Description	Part No.	US List	Can. List
MINIMAX® COMMERCIAL HEATER				
1	Outdoor vent cap kit * (Model 525)	460226	1782.32	2141.64
1	Outdoor vent cap kit * (Model 750)	460318	2279.70	2739.29
1	Outdoor vent cap kit * (Model 900)	460319	CALL	CALL
1A	Indoor draft hood kit * (Model 525)	460321	CALL	CALL
1A	Indoor draft hood kit * (Model 750)	460320	CALL	CALL
1A	Indoor draft hood kit * (Model 900)	460234	CALL	CALL
5	Pressure switch	470190	CALL	CALL
6	Flow valve assembly (Model 525)	470747	CALL	CALL
6	Flow valve assembly (Model 750)	471114	CALL	CALL
6	Flow valve assembly (Model 900)	471115	CALL	CALL
7	Pressure relief valve (Model 525)	470768	50.81	61.05
9	Hi-limit switch (Model 525)	071017	28.12	33.79
10	Bolts (Model 525)	470966	6.30	7.57
11	Rubber seal (Model 525)	470742	CALL	CALL
12	Heat exchanger assembly (Model 525)	470735	CALL	CALL
12	Heat exchanger assembly (Model 750)	470736	CALL	CALL
12	Heat exchanger assembly (Model 900)	470737	29.57	35.53
13	Baffle (Model 525)	470645	27.55	33.10
13	Baffle (Model 750)	470646	28.70	34.49
13	Baffle (Model 900)	470647	CALL	CALL
14	Return header	470745	363.54	436.83
16	Pilot valve (Model 900)	470770	140.27	168.55
17	Pilot regulator natural (Model 900)	470771	CALL	CALL
18	Pilot manual valve (Model 900)	470772	CALL	CALL
19	Main shut-off valve	470773	CALL	CALL
22	Manifold (Model 750)	470653	131.45	157.95
24	Pilot Q345A2816 natural	471204	131.45	157.95
24	Pilot Q345A2824 propane	471205	133.92	160.92
25	Burner, 525 -7 req., 750 - 10 req., 900 - 12 req.	471537	CALL	CALL
25A	Burner w/ pilot bracket	471545	1038.27	1247.59
27	Gas valve diaphragm natural (Model 900)	470687	992.12	1192.13

Item	Description	Part No.	US List	Can. List
28	Gas valve solenoid 900 (Model 900)	470688	CALL	CALL
28	Gas valve natural (Model 525 & 750)	470891	CALL	CALL
28	Gas valve propane (Model 525 & 750)	470892	CALL	CALL
29	Retainer shield (Model 525)	470792	50.01	60.09
29	Retainer shield (Model 900)	470794	CALL	CALL
30	Thermal cut-off	075173	23.65	28.42
33	Baffle hold down	470799	31.67	38.05
34	Control panel (Model 525)	470753	CALL	CALL
34	Control panel (Model 750)	470754	CALL	CALL
34	Control panel (Model 900)	470755	752.68	904.42
35	Thermostat board	470179	243.86	293.02
36	Rocker switch	470186	13.92	16.73
38	Module IID S8600F natural	073584	366.52	440.41
38	Module IID S8600H propane	073585	378.53	454.84
39	Transformer	471571	95.08	114.25
40	Junction box	471426	43.59	52.38
41	Burner tray assembly natural (Model 525)	470648	CALL	CALL
41	Burner tray assembly natural (Model 750)	470649	CALL	CALL
41	Burner tray assembly propane (Model 750)	470669	CALL	CALL
41	Burner tray assembly natural (Model 900)	470650	CALL	CALL
NOT SHOWN				
	Drain valve	072134	32.85	39.47
	Thermistor (probe) complete	470180	50.85	61.10
	Stem, thermostat control	470181	6.11	7.34
	Knob, thermostat	470184	14.20	17.06

* Choice of one vent kit, item No. 1 or No. 1A, provided at no charge with initial commercial heater purchase.

** Item No. 21, hi-tension wire, is now part of pilot assembly, item No. 24.

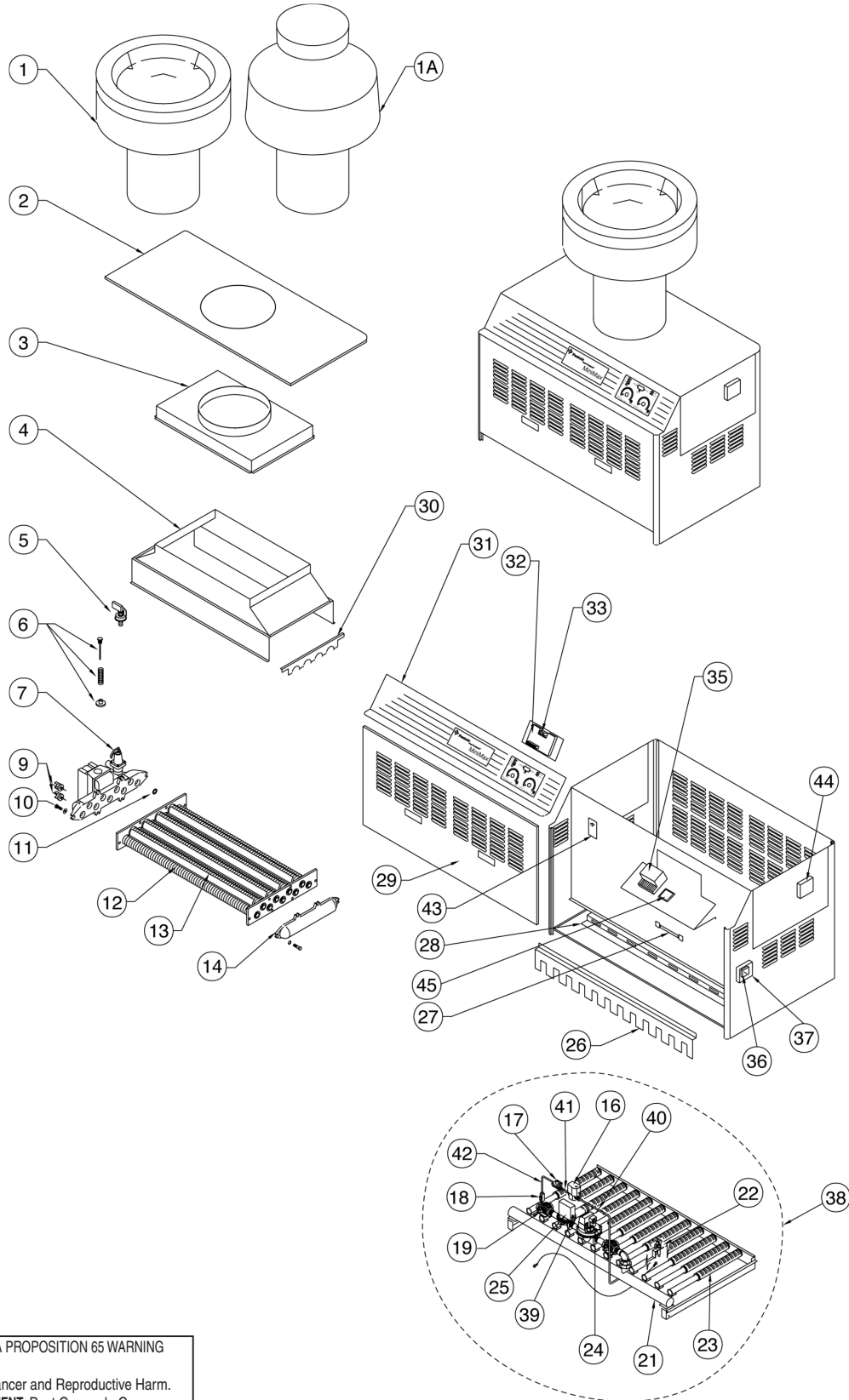
CALIFORNIA PROPOSITION 65 WARNING

▲ **WARNING:** Cancer and Reproductive Harm.
▲ **AVERTISSEMENT:** Peut Causer le Cancer et des Dommages au Système Reproducteur.
▲ **ADVERTENCIA:** Cáncer y Daño Reproductivo.

www.p65warnings.ca.gov. PH201714

MINIMAX® COMMERCIAL HEATER, W/ CSD-1 CONTROLS

REPLACEMENT PARTS



CALIFORNIA PROPOSITION 65 WARNING

⚠ **WARNING:** Cancer and Reproductive Harm.
 ⚠ **AVERTISSEMENT:** Peut Causer le Cancer et des Dommages au Système Reproducteur.
 ⚠ **ADVERTENCIA:** Cáncer y Daño Reproductivo.
www.p65warnings.ca.gov

PH 201714

MINIMAX® COMMERCIAL HEATER, W/ CSD-1 CONTROLS (CONT'D)

REPLACEMENT PARTS

Item	Description	Part No.	US List	Can. List
MINIMAX COMMERCIAL HEATER WITH CSD-1 CONTROLS				
1	Outdoor vent cap kit (Model 525) ¹	460226	CALL	CALL
1	Outdoor vent cap kit (Model 750) ¹	460318	1782.32	2141.64
1	Outdoor vent cap kit (Model 900) ¹	460319	2279.70	2739.29
1A	Indoor draft hood kit (Model 750) ¹	460320	CALL	CALL
1A	Indoor draft hood kit (Model 525) ¹	460321	CALL	CALL
5	Pressure switch	470190	CALL	CALL
6	Flow valve assembly (Model 525)	470747	CALL	CALL
6	Flow valve assembly (Model 750)	471114	CALL	CALL
6	Flow valve assembly (Model 900)	471115	CALL	CALL
7	Pressure relief valve	470768	CALL	CALL
	Hi-Limit switch	071017	50.81	61.05
10	Bolts	470742	6.30	7.57
11	Rubber Seal	470735	CALL	CALL
12	Heat exchange assembly (Model 525)	470736	CALL	CALL
12	Heat exchange assembly (Model 750)	470737	CALL	CALL
12	Heat exchange assembly (Model 900)	470645	29.57	35.53
13	Baffle (Model 525)	470646	27.55	33.10
13	Baffle (Model 750)	470646	27.55	33.10
13	Baffle (Model 900)	470647	28.70	34.49
14	Return header	470745	CALL	CALL
16	Pilot valve	470770	363.54	436.83
17	Pilot regulator natural	470771	140.27	168.55
18	Pilot manual valve	470772	CALL	CALL
19	Main shut-off valve	470773	CALL	CALL
21	Manifold (Model 750)	470653	CALL	CALL
22	Pilot Q3451B1178 natural	471204	131.45	157.95
22	Pilot Q3451B1236 propane	471205	131.45	157.95
23	Burner, qty. 7	471537	133.92	160.92
23a	Burner w/ pilot bracket	471545	CALL	CALL
24	Gas valve diaphragm natural	470687	1038.27	1247.59
25	Gas valve solenoid	470688	CALL	CALL
26	Retainer shield (Model 525)	470792	50.01	60.09

Item	Description	Part No.	US List	Can. List
26	Retainer shield (Model 900)	470794	CALL	CALL
27	Thermal cut-off	075173	23.65	28.42
30	Baffle hold down	470799	31.67	38.05
31	Control panel (Model 525)	470753	CALL	CALL
31	Control panel (Model 750)	470754	CALL	CALL
31	Control panel (Model 900)	470755	752.68	904.42
32	Thermostat board	470179	243.86	293.02
33	Rocker switch	470186	13.92	16.73
35	Module IID S8600F natural/propane	472339	CALL	CALL
36	Transformer	471571	95.08	114.25
37	J-box	471426	43.59	52.38
38	Burner tray assembly natural (Model 525)	470648	CALL	CALL
38	Burner tray assembly natural (Model 750)	470649	CALL	CALL
38	Burner tray assembly natural (Model 900)	470650	CALL	CALL
38	Burner tray assembly propane (Model 750)	470669	CALL	CALL
43	High limit control	472334	CALL	CALL
44	Low water cut-off	472337	CALL	CALL
45	Lock-out control	472338	CALL	CALL

¹ Choice of one vent kit, item No. 1 or No. 1A, provided at no charge with initial commercial heater purchase.

* Hi-tension wire is now part of pilot assembly, item No. 22.

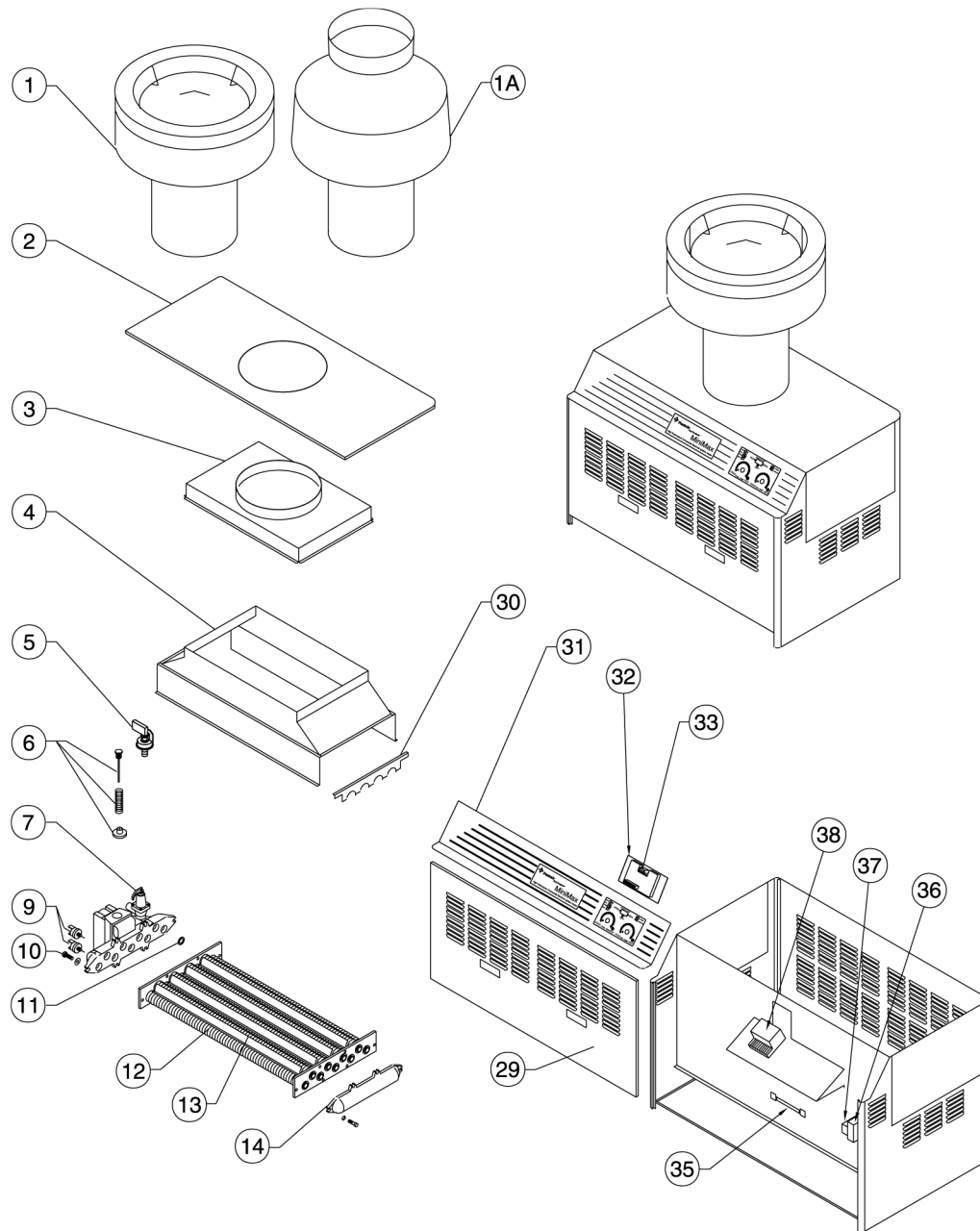
CALIFORNIA PROPOSITION 65 WARNING

WARNING: Cancer and Reproductive Harm.
AVERTISSEMENT: Peut Causer le Cancer et des Dommages au Système Reproducteur.
ADVERTENCIA: Cáncer y Daño Reproductivo.

www.p65warnings.ca.gov
PR-202174

MINIMAX® COMMERCIAL LOW NOX HEATER

REPLACEMENT PARTS



CALIFORNIA PROPOSITION 65 WARNING

⚠ **WARNING:** Cancer and Reproductive Harm.
 ⚠ **AVERTISSEMENT:** Peut Causer le Cancer et des Dommages au Système Reproducteur.
 ⚠ **ADVERTENCIA:** Cáncer y Daño Reproductivo.
www.p65warnings.ca.gov

MINIMAX® COMMERCIAL LOW NOX HEATER (CONT'D)

REPLACEMENT PARTS

Item	Description	Part No.	US List	Can. List
MINIMAX® COMMERCIAL LOW NOX HEATER				
1	Outdoor vent cap kit (Model 525) ¹	460226	CALL	CALL
1	Outdoor vent cap kit (Model 750) ¹	460318	1782.32	2141.64
1	Outdoor vent cap kit (Model 900) ¹	460319	2279.70	2739.29
1A	Indoor draft hood kit (Model 525) ¹	460321	CALL	CALL
1A	Indoor draft hood kit (Model 750) ¹	460320	CALL	CALL
1A	Indoor draft hood kit (Model 900) ¹	460234	CALL	CALL
5	Pressure switch	470190	CALL	CALL
6	Flow valve assembly (Model 525)	470747	CALL	CALL
6	Flow valve assembly (Model 750)	471114	CALL	CALL
6	Flow valve assembly (Model 900)	471115	CALL	CALL
7	Pressure relief valve (Model 525)	470768	CALL	CALL
9	Hi-limit switch	071017	50.81	61.05
10	Bolts	470966	28.12	33.79
11	Rubber seal	470742	6.30	7.57
12	Heat exchanger assembly (Model 525)	470735	CALL	CALL
12	Heat exchanger assembly (Model 750)	470736	CALL	CALL
12	Heat exchanger assembly (Model 900)	470737	CALL	CALL
13	Baffle (Model 525)	470645	29.57	35.53
13	Baffle (Model 750)	470646	27.55	33.10
13	Baffle (Model 900)	470647	28.70	34.49
14	Return header	470745	CALL	CALL
16	Low gas pressure switch	471506	308.09	370.20
17	Gas valve diaphragm natural (Model 525 & 750)	471501	CALL	CALL
17	Gas valve diaphragm natural (Model 900)	471500	CALL	CALL
18	Main shutoff valve	470773	CALL	CALL
19	Gas valve solenoid (Model 900)	470688	CALL	CALL
22	Gas & air manifold assembly (Model 750)	471473	CALL	CALL
23	Air supply pipe	471498	28.65	34.43

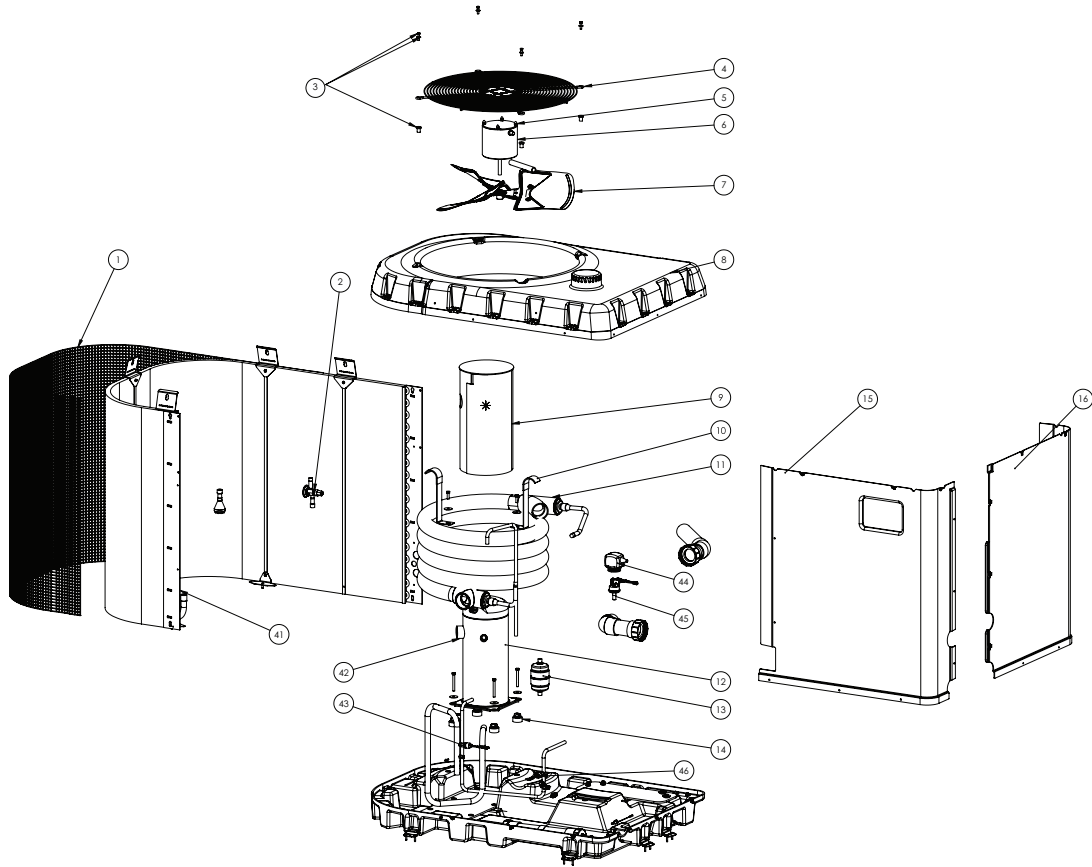
Item	Description	Part No.	US List	Can. List
24	Blower	471481	CALL	CALL
25	Hot surface ignition	471491	137.64	165.39
26	OVO burner, qty. 7	471471	131.29	157.76
27	Remote sense electrode	473483	CALL	CALL
30	Baffles hold down	470799	31.67	38.05
31	Control panel (Model 525)	470753	CALL	CALL
31	Control panel (Model 750)	470754	CALL	CALL
31	Control panel (Model 900)	470755	752.68	904.42
32	Thermostat board	470179	243.86	293.02
33	Rocker switch	470186	13.92	16.73
35	Thermal cut-off	075173	23.65	28.42
36	J-box	471426	43.59	52.38
37	Transformer	471571	95.08	114.25
38	Ignition module	471492	CALL	CALL
39	Burner tray assembly (Model 525)	471482	CALL	CALL
39	Burner tray assembly (Model 750)	471483	CALL	CALL
39	Burner tray assembly (Model 900)	471484	CALL	CALL

¹ Choice of one vent kit, item No. 1 or No. 1A, provided at no charge with initial commercial heater purchase.

CALIFORNIA PROPOSITION 65 WARNING
 ⚠️ WARNING: Cancer and Reproductive Harm.
 ⚠️ AVERTISSEMENT: Peut Causer le Cancer et des Dommages au Système Reproducteur.
 ⚠️ ADVERTENCIA: Cáncer y Daño Reproductivo.
www.p65warnings.ca.gov P65-2017-14

ULTRATEMP ETi® HEATER

HIGH PERFORMANCE HYBRID HEATER



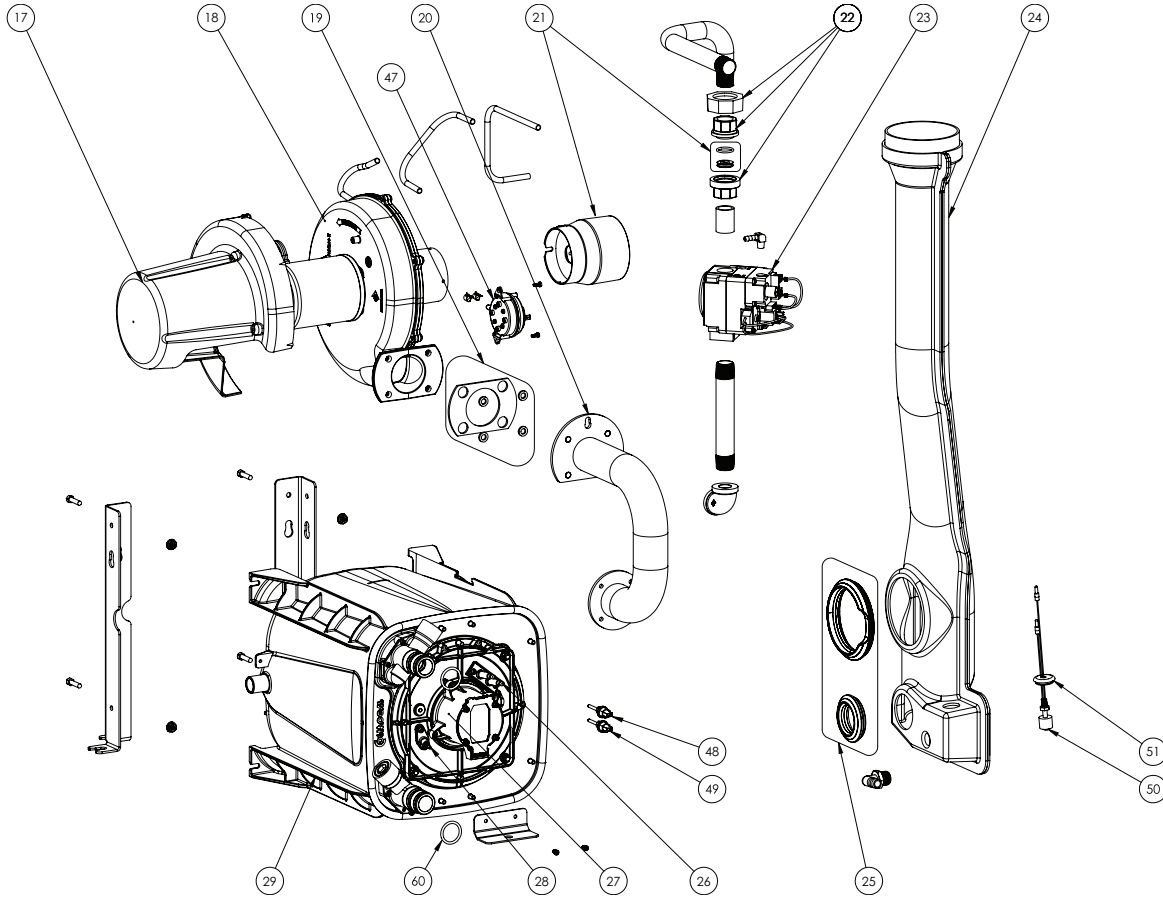
Item	Part No.	Description	Qty.	US List	Can. List
ULTRATEMP 220 ETi REFRIGERATION SYSTEM					
1	473054Z	Coil Guard	1	208.54	250.58
2	476105	Thermostatic Expansion Valve	1	CALL	CALL
3	470441	Fan Guard Fastener Kit	1	8.80	10.57
4	473786	Fan Guard	1	176.58	212.18
5	470439	Nut, #10-32 SS Acorn	1	5.74	6.90
6	474030Z	Fan Motor with Acorn Nut Kit	1	596.53	716.79
7	473783	Fan Blade	1	203.07	244.01
8	475938Z	Hybrid Lid Almond	1	445.38	535.17
8	476068Z	Hybrid Lid Black	1	445.38	535.17
9	475231Z	Compressor Blanket	1	CALL	CALL
10	475949Z	Titanium Heat Exchanger	1	CALL	CALL
11	475948Z	Titanium Heat Exchanger Tie Down Bracket	1	43.35	52.09

Item	Part No.	Description	Qty.	US List	Can. List
12	473735Z	Compressor, ZP70		2680.30	3220.65
13	473121	Drier Single Direction	1	106.42	127.87
14	473736	Compressor Isolation Kit	1	30.87	37.09
15	475939Z	Control/HP Panel Almond		CALL	CALL
15	476069Z	Control/HP Panel Black		CALL	CALL
16	475940Z	Gas Panel Almond		272.01	326.85
16	476070Z	Gas Panel Black		272.01	326.85

CALIFORNIA PROPOSITION 65 WARNING
 ⚠️ **WARNING:** Cancer and Reproductive Harm.
 ⚠️ **AVERTISSEMENT:** Peut Causer le Cancer et des Dommages au Système Reproducteur.
 ⚠️ **ADVERTENCIA:** Cáncer y Daño Reproductivo.
www.p65warnings.ca.gov PHS0018A

ULTRATEMP ETi® HEATER (CONT'D)

HIGH PERFORMANCE HYBRID HEATER



Item	Part No.	Description	Qty.	US List	Can. List
ULTRATEMP 220 ETi GAS SYSTEM					
17	475918	Blower Shield Cap	1	CALL	CALL
18	476000	Blower	1	275.98	331.62
19		Air Manifold to Blower Gasket Kit	1		
20	475899	Air Manifold	1	CALL	CALL
21		Orifice Kit, Natural Gas	1		
21		Orifice Kit, Propane	1		
22	38404-4097S	3/4 in. Union	1	39.57	47.55
23	476104Z	Gas Valve	1	CALL	CALL
24	475900Z	Exhaust	1	843.03	1012.98
25		Exhaust Gasket Kit (2 Pieces)	1		
26	476081Z	Gas Engine Spark Electrodes	1	142.47	171.19
27	475898	Burner Assembly, 110000 BTU/hr	1	CALL	CALL
28	462023	Flame Sensor		CALL	CALL
29	475897Z	TitanTough Heat Exchanger, 110000 BTU/hr	1	CALL	CALL

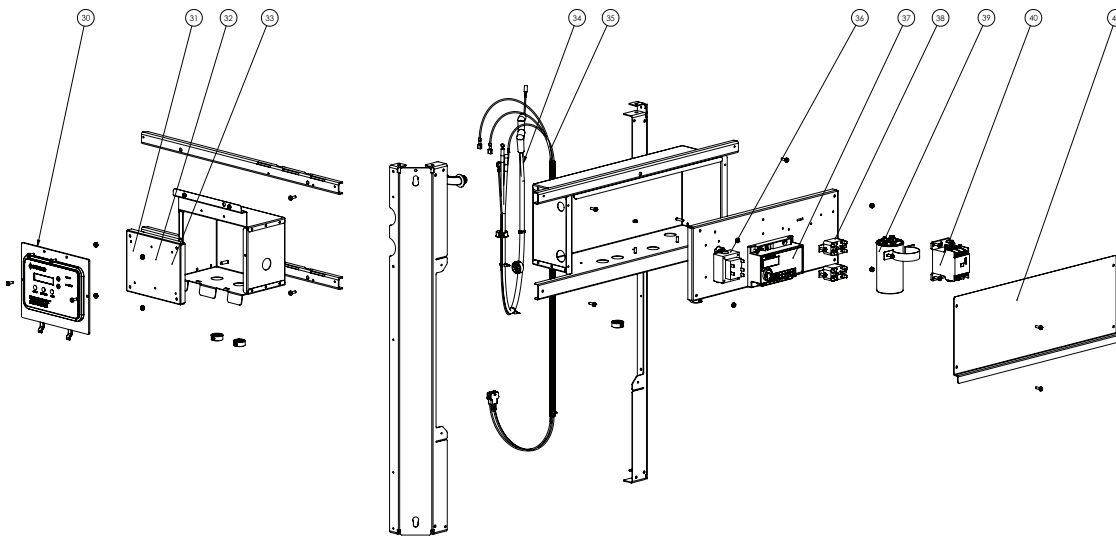
Item	Part No.	Description	Qty.	US List	Can. List
ULTRATEMP 220 ETi GAS SYSTEM					
*		Gas Heat Exchanger Gasket Service Kit	1		
*		Gas Heat Exchanger Hardware Kit	1		
*		Pressure Relief Valve Kit	1		
	475954	Condensate Neutralizer Kit		CALL	CALL

* Not shown

CALIFORNIA PROPOSITION 65 WARNING
 ⚠️ **WARNING:** Cancer and Reproductive Harm.
 ⚠️ **AVERTISSEMENT:** Peut Causer le Cancer et des Dommages au Système Reproducteur.
 ⚠️ **ADVERTENCIA:** Cáncer y Daño Reproductivo.
www.p65warnings.ca.gov PHL00174A

ULTRATEMP ETi® HEATER (CONT'D)

HIGH PERFORMANCE HYBRID HEATER



Item	Part No.	Description	Qty.	US List	Can. List
ULTRATEMP 220 ETi ELECTRICAL SYSTEM					
30	475957 475958	Bezel, Control Board, and Label Kit	1	CALL	CALL
31	475928	Wire Harness, Gas Inputs	1	CALL	CALL
32	475929	Wire Harness, Heat Pump Inputs	1	CALL	CALL
33	475930	Wire Harness, Outputs	1	CALL	CALL
34	475926	Wire Harness, Spark Plugs	1	CALL	CALL
35	475931	Wire Harness, Gas Blower	1	CALL	CALL
36	473155	Transformer	1	182.14	218.86
37	475933	Ignition Control Module	1	CALL	CALL
38	473150	Relay, Fan and Gas	1	124.64	149.77
39	473731	Dual Capacitor	1	CALL	CALL
40	473778	Contacting Compressor/ Input Power	1	496.39	596.46
41	473665	Probe Thermistor, Defrost Sensor	1	49.09	58.99
41	475905Z	Cover Panel, High Voltage Box		98.64	118.53
42	474237	Compressor Harness Clip	1	9.59	11.52
43	473656	Switch, Low Refrigerant Pressure	1	128.59	154.51
44	473606	Water Pressure Switch Boot	1	7.45	8.95

Item	Part No.	Description	Qty.	US List	Can. List
45	475956	Water Pressure Switch	1	CALL	CALL
46	473744	Switch, High Refrigerant Pressure		104.97	126.13
47	42001-0059	Air Pressure Switch		CALL	CALL
48	475316	Thermal Fuse		CALL	CALL
49	475294	Stack Flue Sensor		CALL	CALL
50	475901	Condensate Float Switch	1	CALL	CALL
51	475911	Condensate Float Switch Bushing	1	CALL	CALL
52	42002-0025S	Switch, Automatic Gas Shutoff, 140° F		56.57	67.97
53	475955	Switch, High Limit, 127° F		CALL	CALL
54	471566	Probe, Thermistor Water Temperature		57.87	69.54
*	475927	Wire Harness, High Voltage		CALL	CALL
*	475932	Compressor Harness, Hybrid		CALL	CALL

¹ Not shown

CALIFORNIA PROPOSITION 65 WARNING

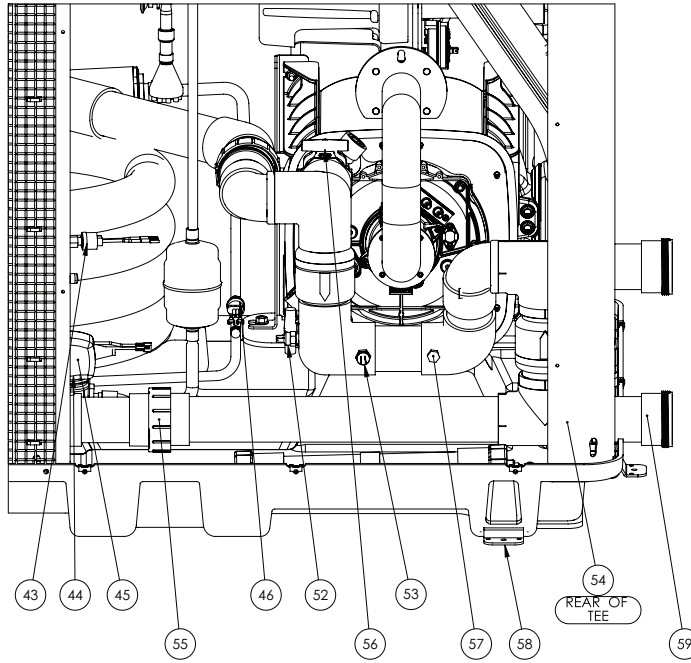
⚠ **WARNING:** Cancer and Reproductive Harm.
 ⚠ **AVERTISSEMENT:** Peut Causer le Cancer et des Dommages au Système Reproducteur.
 ⚠ **ADVERTENCIA:** Cáncer y Daño Reproductivo.

www.p65warnings.ca.gov

PN20214

ULTRATEMP ETi® HEATER (CONT'D)

HIGH PERFORMANCE HYBRID HEATER



Item	Part No.	Description	Qty.	US List	Can. List
ULTRATEMP 220 ETi PLUMBING/MISC.					
55	473381	Union PVC 2in	1	31.34	37.66
56	475953	QRC Clip	1	CALL	CALL
57	475918	Drain Plug (1/4 NPT)	1	CALL	CALL
58	475950	Hurricane Tie Down Straps	1	CALL	CALL
59	476032	Water Management Assembly	1	CALL	CALL
60	475912	Gas Engine Brass Ftg O-ring, -215 Silicone	1	CALL	CALL
*	470284	Nut, J Clip (Base)	1	3.45	4.15
*	470281	Nut, U Clip (Panels)	1	2.88	3.46
*	470159	Panel Screws, Phillips, Almond	1	1.45	1.74
*	470161	Lid Bracket Scews, Square Drive, Almond	1	1.45	1.74
*		Union/Tie Down Kit (Includes 8X Item 58 and 2X Item 55)	1		

¹ Not shown

CALIFORNIA PROPOSITION 65 WARNING

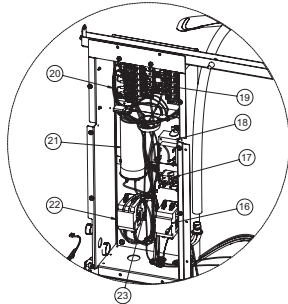
⚠ **WARNING:** Cancer and Reproductive Harm.
 ⚠ **AVERTISSEMENT:** Peut Causer le Cancer et des Dommages au Système Reproducteur.
 ⚠ **ADVERTENCIA:** Cáncer y Daño Reproductivo.

www.p65warnings.ca.gov
P182817A

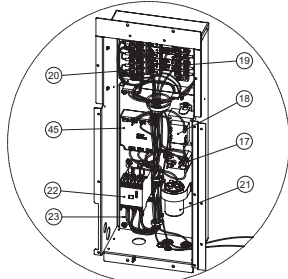
ULTRATEMP® HEAT PUMP

460928, 460929, 460930, 460931, 460932, 460933, 460934, 460935, 460936, 460937,
460938, 460958, 460959, 460960, 460961, 460962, 460963, 460964, 460965, 460967

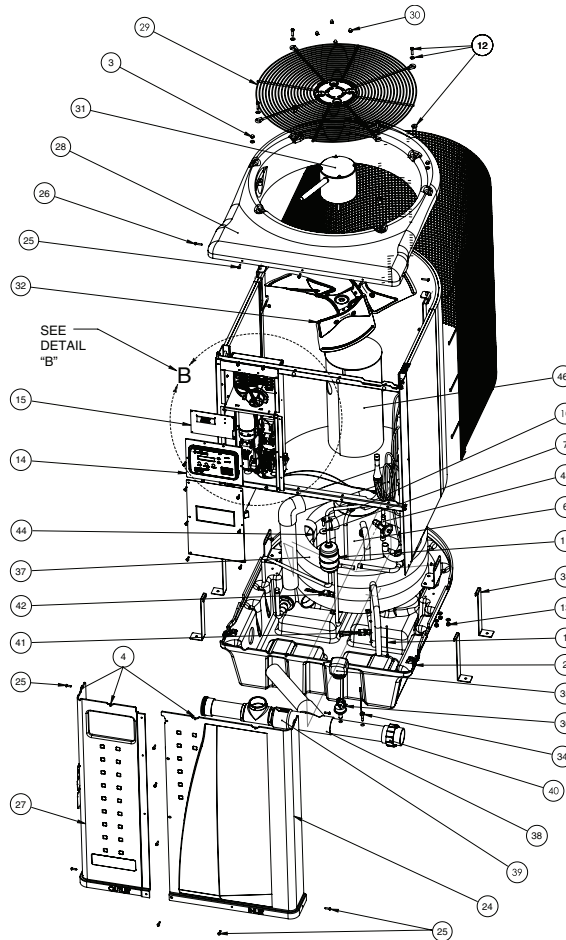
REPLACEMENT PARTS



DETAIL B - Single Phase



DETAIL B - Three Phase



CALIFORNIA PROPOSITION 65 WARNING
 ⚠️ WARNING: Cancer and Reproductive Harm.
 ⚠️ AVERTISSEMENT: Peut Causer le Cancer et des Dommages au Système Reproducteur.
 ⚠️ ADVERTENCIA: Cáncer y Daño Reproductivo.
www.p65warnings.ca.gov PH201714A

Item	Part No.	Description	US List	Can. List
ULTRATEMP REPLACEMENT PARTS				
1	473665	PROBE THERMISTOR DEFROST SENSOR	49.09	58.99
2	470284	NUT, J-CLIP	3.45	4.15
3	473285	NUT, 1/4-20 SS ACORN	1.45	1.74
4	470281	NUT, U-CLIP	2.88	3.46
5	473732	WIRE HARNESS, COMPRESSOR (1PH-60HZ)	108.77	130.70
5	474009	WIRE HARNESS, COMPRESSOR (1PH-50HZ)	113.53	136.42
5	474010	WIRE HARNESS, COMPRESSOR (3-PHASE MODELS)	113.03	135.82
6	473734Z	COMPRESSOR, SCROLL ZP83 (MODEL 120, 120HC, 140, 140 HC)	3019.84	3628.64
6	473735Z	COMPRESSOR, SCROLL ZP70 (MODEL 110)	2680.30	3220.65
6	474011Z	COMPRESSOR KIT, SCROLL ZP83 (3-PHASE MODEL 120C, 140C ONLY)	2992.10	3595.31
6	474241Z	COMPRESSOR SCROLL ZP61 (MODEL 90)	2434.38	2925.15
6	474291Z	COMPRESSOR SCROLL ZP49 (MODEL 70)	2076.39	2494.99
7	473295	FENDER WASHER	1.45	1.74
8	473736	COMPRESSOR ISOLATION KIT, GROMMET AND SPACER 1 SET	30.87	37.09
9	473745	BOLT 5/16-18 x 2 in. SS	5.02	6.03
10	98219800	BOLT 5/16-18 x 1 in. SS	1.69	2.03
11	473121	DRIER (ALL MODELS EXCEPT 120HC, 140HC)	106.42	127.87
11	473139	DRIER (MODEL 120HC, 140HC)	316.17	379.91
12	470441	FAN GUARD FASTENER KIT	8.80	10.57

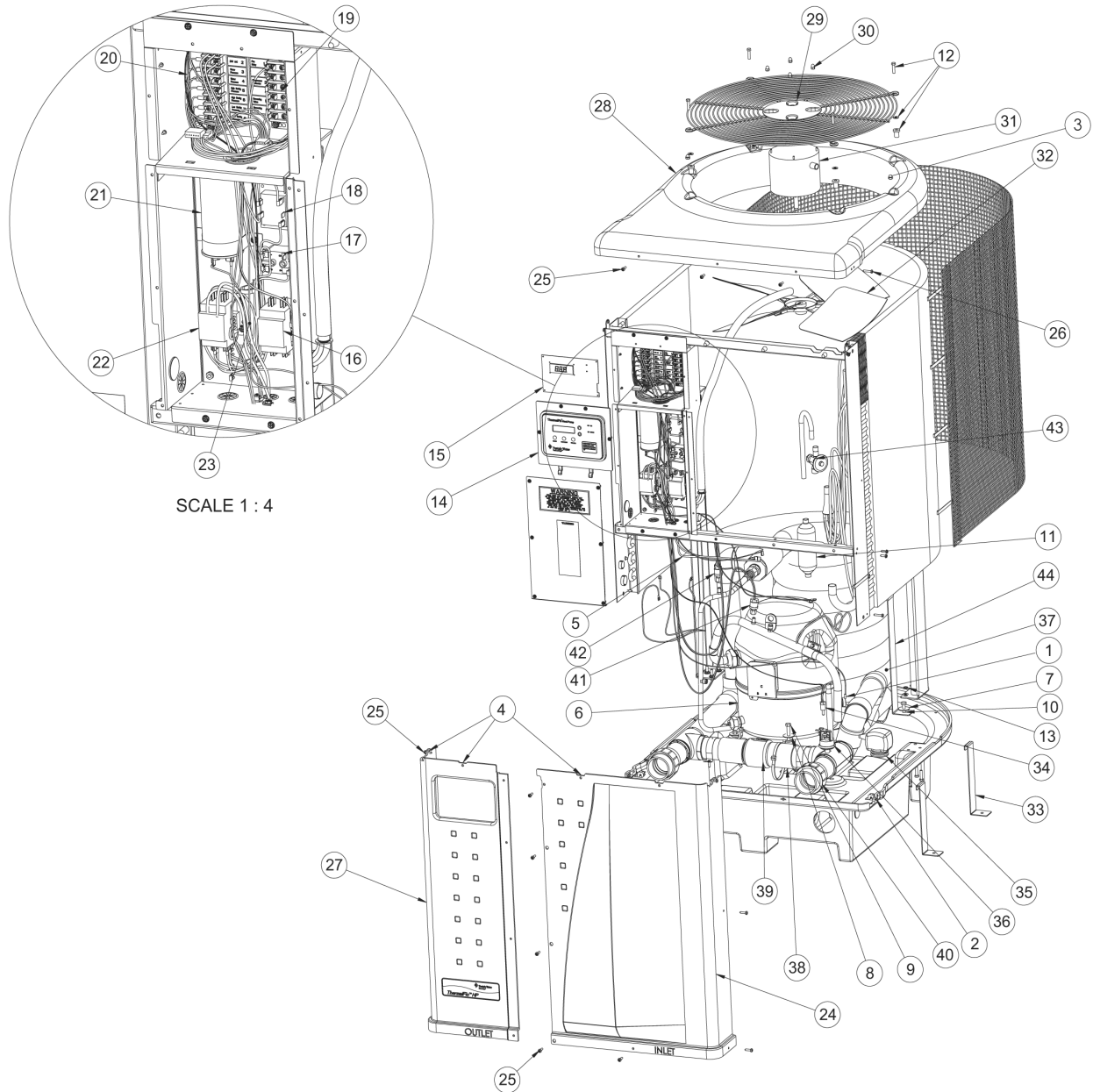
ULTRATEMP® HEAT PUMP (CONT'D)

Item	Part No.	Description	US List	Can. List	Item	Part No.	Description	US List	Can. List
13	071406	NUT, 1/4-20 HEX SS	1.69	2.03	33	470137	TIE DOWN BRACKET	22.22	26.70
14/15	472734	BEZEL, CONTRL BOARD & LABEL KIT	490.98	589.96	34	471566	PROBE THERMISTOR - WATER TEMPERATURE	57.87	69.54
16	473603	PUMP CONTACTOR AUTOHEAT (MODEL 70, 90, 110, 120, 120HC, 140, 140HC)	66.61	80.04	35	473606	WATER PRESSURE SWITCH BOOT	7.45	8.95
17	473150	FAN RELAY	124.64	149.77	36	473605	WATER PRESSURE SWITCH	85.14	102.30
17	474016	FAN RELAY (3PH-50HZ ONLY)	134.68	161.83	37	473992	TITANIUM HEAT EXCHANGER (FOR ALL MODELS BUILT PRIOR TO JAN 2017, EXCEPT MODELS 1001, 901, 90, 70)	3540.66	4254.46
18	473155	TRANSFORMER	182.14	218.86	37	472736	TITANIUM HEAT EXCHANGER (FOR MODELS 1001 & 90 ONLY, UNITS BUILT PRIOR TO JAN 2017)	3538.68	4252.08
18	473790	TRANSFORMER (3PH-50HZ ONLY)	192.44	231.24	37	472737	TITANIUM HEAT EXCHANGER (FOR MODELS 70 & 901 ONLY, UNITS BUILT PRIOR TO JAN 2017)	3112.26	3739.69
19	473422	WIRE HARNESS TERMINAL BLOCK-FAN, COMPRESSOR	93.82	112.73	37	475193Z	TITANIUM HEAT EXCHANGER (FOR ALL MODELS EXCEPT 70, UNITS BUILT AFTER JAN 2017)	2606.85	3132.39
20	473315	WIRE HARNESS, TERMINAL BLOCK-SENSORS	114.56	137.66	37	475219Z	TITANIUM HEAT EXCHANGER (FOR MODEL 70 ONLY, UNITS BUILT AFTER JAN 2017)	2453.50	2948.13
21	473731	CAPACITOR (MODEL 70, 90, 110, 120, 120HC, 140, 140HC ONLY)	105.55	126.83	38	473774Z	WATER BYPASS MANIFOLD W/ 2 STREET ELBOWS (PRIOR TO JAN. 2017)	544.74	654.56
21	473154	CAPACITOR (3-PHASE MODEL 120C, 140C ONLY)	67.24	80.80	38	475176Z	WATER MANIFOLD BYPASS KIT	391.02	469.85
21	470146	CAPACITOR (MODEL 100I)	92.55	111.21	39	R172305	WATER BYPASS CHECK VALVE	CALL	CALL
22	473149	CONTACTOR, HEAT PUMP (ALL SINGLE PHASE MODELS PRIOR TO 12/2014)	193.54	232.56	40	473381	UNION PVC 2 in.	31.34	37.66
22	473778	CONTACTOR, HEAT PUMP (3-PHASE MODELS; ALL SINGLE PHASE MODELS POST 2014)	496.39	596.46	41	473656	SWITCH, LOW PRESSURE	128.59	154.51
23	473423	WIRE HARNESS, MAIN (ALL SINGLE PHASE MODELS PRIOR TO 12/2014)	90.85	109.17	42	473744	SWITCH, HIGH PRESSURE	104.97	126.13
23	475112	WIRE HARNESS, MAIN (ALL SINGLE PHASE MODELS)	90.83	109.14	43	473787	THERMOSTATIC EXPANSION VALVE (MODEL 120, 120C, 90I)	276.79	332.59
23	474021	WIRE HARNESS, MAIN (3-PHASE MODEL 120C, 140C ONLY)	165.44	198.79	43	473999	THERMOSTATIC EXPANSION VALVE (MODEL 120HC, 110)	276.79	332.59
23	474031	WIRE HARNESS, MAIN (3-PHASE MODEL 90I ONLY)	173.20	208.12	43	474248	THERMOSTATIC EXPANSION VALVE (MODEL 100I)	276.78	332.58
24	473742	PANEL, FRONT RIGHT, 36 in. ALMD.	265.19	318.65	43	474242	THERMOSTATIC EXPANSION VALVE (MODEL 70, 90)	CALL	CALL
24	474194	PANEL, FRONT RIGHT, 36 in. BLACK	265.19	318.65	43	474327	THERMOSTATIC EXPANSION VALVE (MODELS 140, 140HC)	278.06	334.12
24	473431	PANEL, FRONT RIGHT (MODEL 100I ONLY)	258.99	311.20	44	473657	TITANIUM WATER COIL TIE DOWN STRAP (2 ON MODEL 70, 90I, 1 ON MODEL 90 & 100I) (PRIOR TO JAN. 2017)	39.73	47.74
24	473412	PANEL, FRONT RIGHT (MODEL 70, 90, 90I ONLY)	227.39	273.23	44	473772	TITANIUM WATER COIL TIE DOWN STRAP (1 ON ALL MODELS EXCEPT MODEL 90I) (PRIOR TO JAN. 2017)	57.69	69.32
24	474265	PANEL, FRONT RIGHT (MODEL 70 BLACK, 90 BLACK)	CALL	CALL	44	473789	TITANIUM WATER COIL TIE DOWN STRAP (1 ON ALL MODELS EXCEPT MODELS 90, 90I & 100I) (PRIOR TO JAN. 2017)	87.98	105.72
25	470159	SCREW #10 x .75 in. PAN HEAD PHILLIPS, ALMOND HEAD	1.45	1.74	44	475194	TITANIUM WATER COIL TIE DOWN, RIGHT SIDE	31.29	37.60
25	474198	SCREW #10 x .75 in. PAN HEAD PHILLIPS, BLACK HEAD	1.45	1.74	44	475195	TITANIUM WATER COIL TIE DOWN, LEFT SIDE	31.29	37.60
26	470161	SCREW #10 x 1 in. BUTTON HEAD TORX, ALMOND HEAD	1.45	1.74	45	474089	PHASE MONITOR	277.67	333.65
26	474197	SCREW #10 x 1 in. BUTTON HEAD TORX, BLACK HEAD	1.45	1.74	46	475231Z	COMPRESSOR BLANKET	CALL	CALL
27	473755	PANEL, FRONT LEFT, W/ DECAL	280.53	337.08	NOT SHOWN				
27	474196	PANEL, FRONT LEFT, W/ DECAL, 36 in. BLACK	280.53	337.08	473135		REVERSING VALVE (Model 120HC, 140HC) HEAT COOL ONLY	CALL	CALL
27	474202	PANEL, FRONT LEFT, W/ DECAL (MODEL 100I ONLY), 36 in.	273.56	328.71	473432		REVERSING SOLENOID (Model 120HC, 140HC) HEAT COOL ONLY	234.10	281.29
27	474203	PANEL, FRONT LEFT, W/ DECAL (MODEL 70, 90, AND 90I ONLY)	257.40	309.29	474270Z		TITANIUM COIL WATER SIDE REPAIR KIT (FOR HEAT EXCHANGER BUILT PRIOR TO JAN. 2017)	107.40	129.05
27	474267	PANEL, FRONT LEFT, W/ DECAL, 24 in. BLACK	257.39	309.28	474237		COMPRESSOR HARNESS CLIP	9.59	11.52
28	473773	HP TOP	480.22	577.03	461030Z		WATER UNION & TIE DOWN KIT	81.82	98.31
28	474193	HP TOP, BLACK	480.22	577.03	474321		3 in. RECEIVER (Model 140, 140HC)	260.66	313.21
29	473786	GUARD, FAN	176.58	212.18	473054Z		COIL GUARD	208.54	250.58
30	470439	NUT, #10-32 SS ACORN	5.74	6.90	475232		MALE HOSE BARB 5/8" X 1/2" NPT	6.26	7.52
31	473785	FAN MOTOR W/ ACORN NUT KIT	430.88	517.75	472409		CoreMax Valve Core	CALL	CALL
31	474030Z	FAN MOTOR W/ ACORN NUT KIT (MODEL 90I ONLY)	596.53	716.79	071426		O-ring for Union	1.77	2.13
31	474323Z	FAN MOTOR W/ACORN NUT KIT (MODEL140 & 140HC ONLY)	451.67	542.73					
32	473783	FAN BLADE (60 Hz)	203.07	244.01					
32	474230	FAN BLADE (50 Hz)	203.07	244.01					
32	474322	FAN BLADE (MODELS 140 & 140HC ONLY)	203.07	244.01					

THERMALFLO™ HEAT PUMP TITANIUM

460912, 460913, 460914, 460915, & 460922

REPLACEMENT PARTS



SCALE 1 : 4

CALIFORNIA PROPOSITION 65 WARNING
 ⚠️ **WARNING:** Cancer and Reproductive Harm.
 ⚠️ **AVERTISSEMENT:** Peut Causer le Cancer et des Dommages au Système Reproducteur.
 ⚠️ **ADVERTENCIA:** Cáncer y Daño Reproductivo.
www.p65warnings.ca.gov PH 201714

THERMALFLO™ HEAT PUMP TITANIUM (CONT'D)

REPLACEMENT PARTS

Item	Part No.	Description	US List	Can. List
THERMALFLO HP TITANIUM				
1	473665	Probe Thermister Defrost Sensor	49.09	58.99
2	470284	Nut, J-Clip	3.45	4.15
3	473285	Nut, 1/4-20 SS Acorn	1.45	1.74
4	470281	Nut, U-Clip	2.88	3.46
5	470147	Wire Harness, Compressor	18.20	21.87
6	473024Z	Compressor, Trane GH633-LL1-G (Model # 500, 700, 900)	2871.96	3450.95
6	473025Z	Compressor, Trane GH673-LL1-G (Model # 1200, 1200R)	CALL	CALL
7	473295	Fender Washer	1.45	1.74
8	473026	Compressor Isolation kit, Grommet and Spacer (1 Set)	24.39	29.31
9	473294	Bolt 5/16-18 x 1-3/4 in. SS	1.45	1.74
10	98219800	Bolt 5/16-18 x 1 in. SS	1.69	2.03
11	473121	Drier (Model # 500, 700, 900, 1200)	106.42	127.87
11	473139	Drier, Reversible (Model # 1200R)	316.17	379.91
12	470441	Fan Guard Fastener Kit	8.80	10.57
13	071406	Nut, 1/4-20 Hex SS	1.69	2.03
14	473693	Bezel, Control Board w/ Label	196.39	235.98
15	472734	Control Board Assembly	490.98	589.96
16	473603	Pump Contactor AutoHeat	66.61	80.04
17	473150	Fan Relay	124.64	149.77
18	473155	Transformer	182.14	218.86
19	473422	Wire Harness Terminal Block - Fan, Compressor	93.82	112.73
20	473315	Wire Harness, Terminal Block - Sensors	114.56	137.66
21	470146	Capacitor	92.55	111.21
22	473149	Contactor, Heat Pump	193.54	232.56
23	473423	Wire Harness, Main	90.85	109.17
24	473412	Panel, Front Right (Model# 500, 700)	227.39	273.23
24	473431	Panel, Front Right (Model# 900, 1200, 1200R)	258.99	311.20
25	470159	Screw #10 x 3/4 in. Pan Head Phillips, Almond Head	1.45	1.74
26	470161	Screw #10 x 1 in. Button Head Torx, Almond Head	1.45	1.74
27	470419	Panel, Front Left, w/ Decal (Model# 500, 700)	CALL	CALL

Item	Part No.	Description	US List	Can. List
27	470434	Panel, Front Left, w/ Decal (Model# 900, 1200, 1200R)	CALL	CALL
28	473134	HP Top	707.72	850.40
29	473368	Guard, Fan	128.41	154.30
30	470439	Nut, 10-32 SS Acorn	5.74	6.90
31	470289	Fan Motor w/ Acorn nut Kit	326.36	392.15
32	473223	Fan Blade	270.01	324.44
33	470137	Tie Down Bracket	22.22	26.70
34	471566	Probe Thermister - Water Temperature	57.87	69.54
35	473606	Water Pressure Switch Boot	7.45	8.95
36	473605	Water Pressure Switch	85.14	102.30
37	472737	Titanium Heat Exchanger (Model# 500)	3112.26	3739.69
37	472736	Titanium Heat Exchanger (Model# 700, 900, 1200, 1200R)	3538.68	4252.08
38	473774Z	Water Bypass Manifold ¹	544.74	654.56
39	R172305	Water Bypass Check Valve	CALL	CALL
40	473381	Union PVC 2 in.	31.34	37.66
41	473656	Switch, Low Pressure	128.59	154.51
42	473655	Switch, High Pressure	128.59	154.51
43	472735	Thermostatic Expansion Valve	262.57	315.50
44	473657	Titanium Water Coil Tie Down Strap	39.73	47.74
NOT SHOWN				
	473135	Reversing Valve (Model # 1200R)	CALL	CALL
	473432	Reversing Solenoid (Model # 1200R) ²	234.10	281.29
	473034	RotoLock Lo Side with Gasket	101.38	121.82
	473035	RotoLock Hi Side with Gasket	101.38	121.82

¹ For units manufactured after 7/1/09.

² For units manufactured after 2005.
(Use PN 473136 for units manufactured before 2005).

CALIFORNIA PROPOSITION 65 WARNING

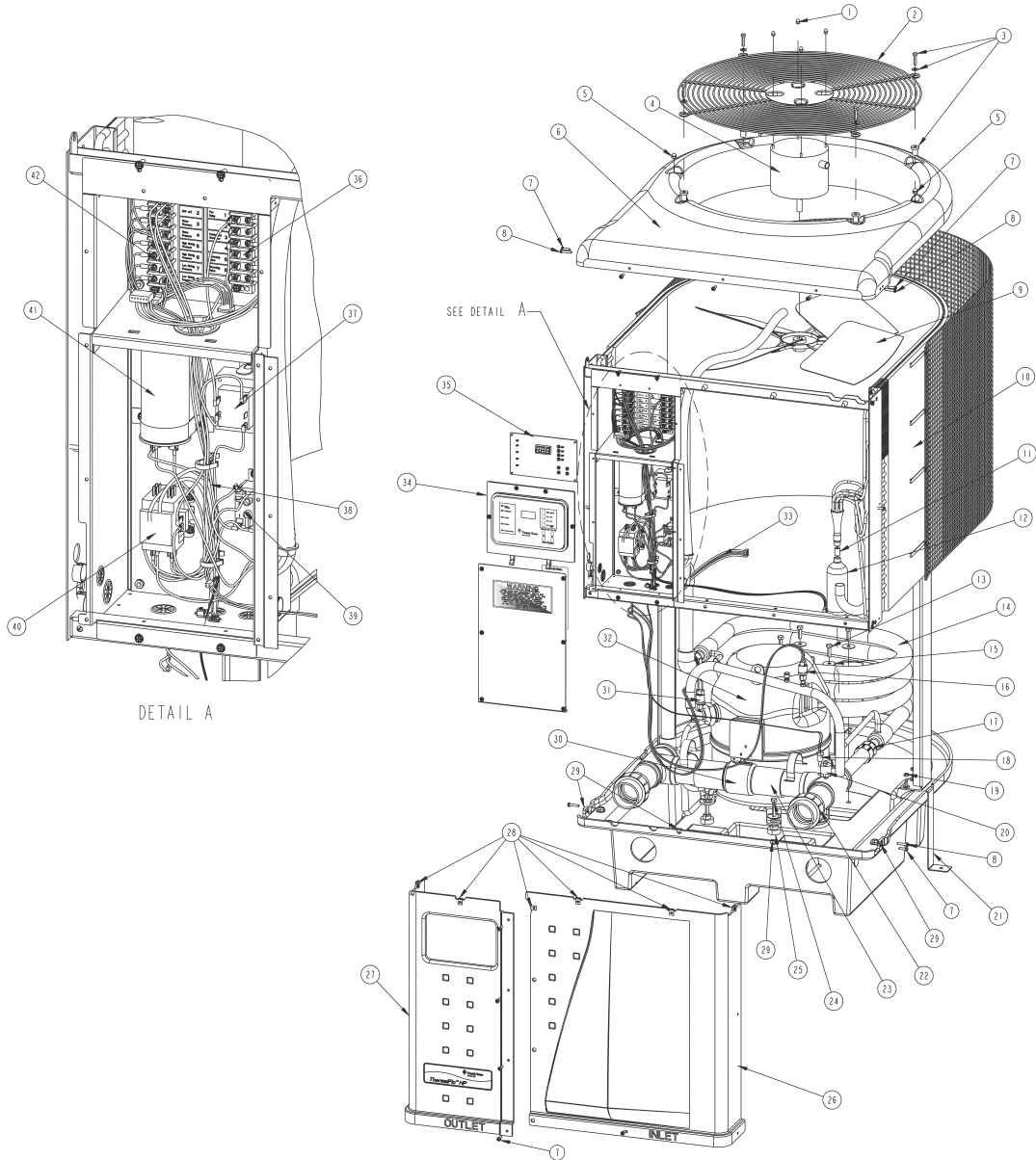
▲ **WARNING:** Cancer and Reproductive Harm.
▲ **AVERTISSEMENT:** Peut Causer le Cancer et des Dommages au Système Reproducteur.
▲ **ADVERTENCIA:** Cáncer y Daño Reproductivo.

www.p65warnings.ca.gov. PN2017A

THERMALFLO™ HEAT PUMP

460812, 460813, 460814, 460815, & 460822

REPLACEMENT PARTS



CALIFORNIA PROPOSITION 65 WARNING

⚠ **WARNING:** Cancer and Reproductive Harm.
 ⚠ **AVERTISSEMENT:** Peut Causer le Cancer et des Dommages au Système Reproducteur.
 ⚠ **ADVERTENCIA:** Cáncer y Daño Reproductivo.
www.p65warnings.ca.gov

PK2017LA

THERMALFLO™ HEAT PUMP (CONT'D)

REPLACEMENT PARTS




Item	Part No.	Description	US List	Can. List
THERMALFLO HP				
1	470439	Nut, 10-32 SS acorn ²	5.74	6.90
2	473368	Fan guard	128.41	154.30
3	470441	Fastener kit, fan guard, 1 set	8.80	10.57
4	470289	Fan motor w/ acorn nuts	326.36	392.15
5	473285	Nut, 1/4-20 SS acorn	1.45	1.74
6	473134	Top	707.72	850.40
7	470159	Screw, 10 x 3/4 in. pan head phillips, almond head	1.45	1.74
8	470161	Screw, No.10 x 1 in. button head torx, almond head	1.45	1.74
9	473223	Blade, fan	270.01	324.44
11	473144	Orifice, reversing, Model No. 1200R	57.28	68.83
11	473145	Orifice, Model No. 500, 700, 900, 1200, 1200C	57.32	68.88
12	473121	Drier, Model No. 500, 700, 900, 1200, 1200C	106.42	127.87
12	473139	Drier, reversible, Model No. 1200R	316.17	379.91
13	98219800	Bolt 5/16-18 x 1 in., SS	1.69	2.03
14	473416	Coil, water, Model No. 500	1972.40	2370.04
14	473417	Coil, water, Model No. 700, 900, 1200, 1200R, 1200C	2360.52	2836.40
15	473295	Washer, fender	1.45	1.74
16	473175	Switch, low pressure	128.07	153.89
17	473116	Compression fitting, water line, Model No. 500	32.19	38.68
17	473117	Compression fitting, water line, Model No. 700, 900, 1200, 1200R, 1200C	20.28	24.37
18	471566	Probe, Thermistor	57.87	69.54
19	071406	Nut, 1/4-20 hex SS	1.69	2.03
20	473605	Switch, water pressure	85.14	102.30
21	470137	Bracket, tie down	22.22	26.70
22	473381	Union, 2 in. PVC	31.34	37.66
23	473320	Manifold, water bypass w/ hartford loop, Model No. 700, 900, 1200, 1200R, 1200C	CALL	CALL
23	473424	Manifold, water bypass w/ hartford loop, Model No. 500	CALL	CALL
24	473294	Bolt 5/16-18 x 1-3/4 4 in. SS	1.45	1.74
25	473026	Compressor isolation kit, grommet & spacer, 1 set	24.39	29.31
26	473412	Panel, front right, Model No. 500, 700	227.39	273.23
26	473431	Panel, front right, Model No. 900, 1200, 1200R, 1200C	258.99	311.20

Item	Part No.	Description	US List	Can. List
27	470419	Panel, front left, w/ decal, Model No. 500, 700	CALL	CALL
27	470434	Panel, front left, w/ decal, Model No. 900, 1200, 1200R, 1200C	CALL	CALL
28	470281	Nut, U-clip	2.88	3.46
29	470284	Nut, J-clip	3.45	4.15
30	R172305	Valve, check	CALL	CALL
31	473172	Switch, high pressure	128.07	153.89
32	473024Z	Compressor, Trane GH633-LL1-G, Model No. 500, 700, 900	2871.96	3450.95
32	473025Z	Compressor, Trane GH673-LM1-G, Model No. 1200, 1200R, 1200C	CALL	CALL
33	470147	Wire harness, compressor	18.20	21.87
34	473693	Bezel, control board w/ label	196.39	235.98
35	472734	Control board assembly	490.98	589.96
36	473422	Wire harness, fan & compressor terminal block	93.82	112.73
37	473155	Transformer	182.14	218.86
38	473423	Wire harness, main	90.85	109.17
39	473150	Relay, fan	124.64	149.77
40	473149	Contacto	193.54	232.56
41	470146	Capacitor	92.55	111.21
42	473315	Wire harness, sensor terminal block	114.56	137.66
NOT SHOWN				
	473606	Rubber boot cover for water pressure switch	7.45	8.95
	473135	Reversing valve w/ coil, Model No. 1200R	CALL	CALL
	473136	Solenoid, reversing, Model No. 1200R ¹	160.91	193.35
	473432	Coil for reversing valve ²	234.10	281.29
	473035	RotoLock Hi Side with Gasket	101.38	121.82
	473034	RotoLock Lo Side with Gasket	101.38	121.82

¹ For unit manufactured before 9-1-05.

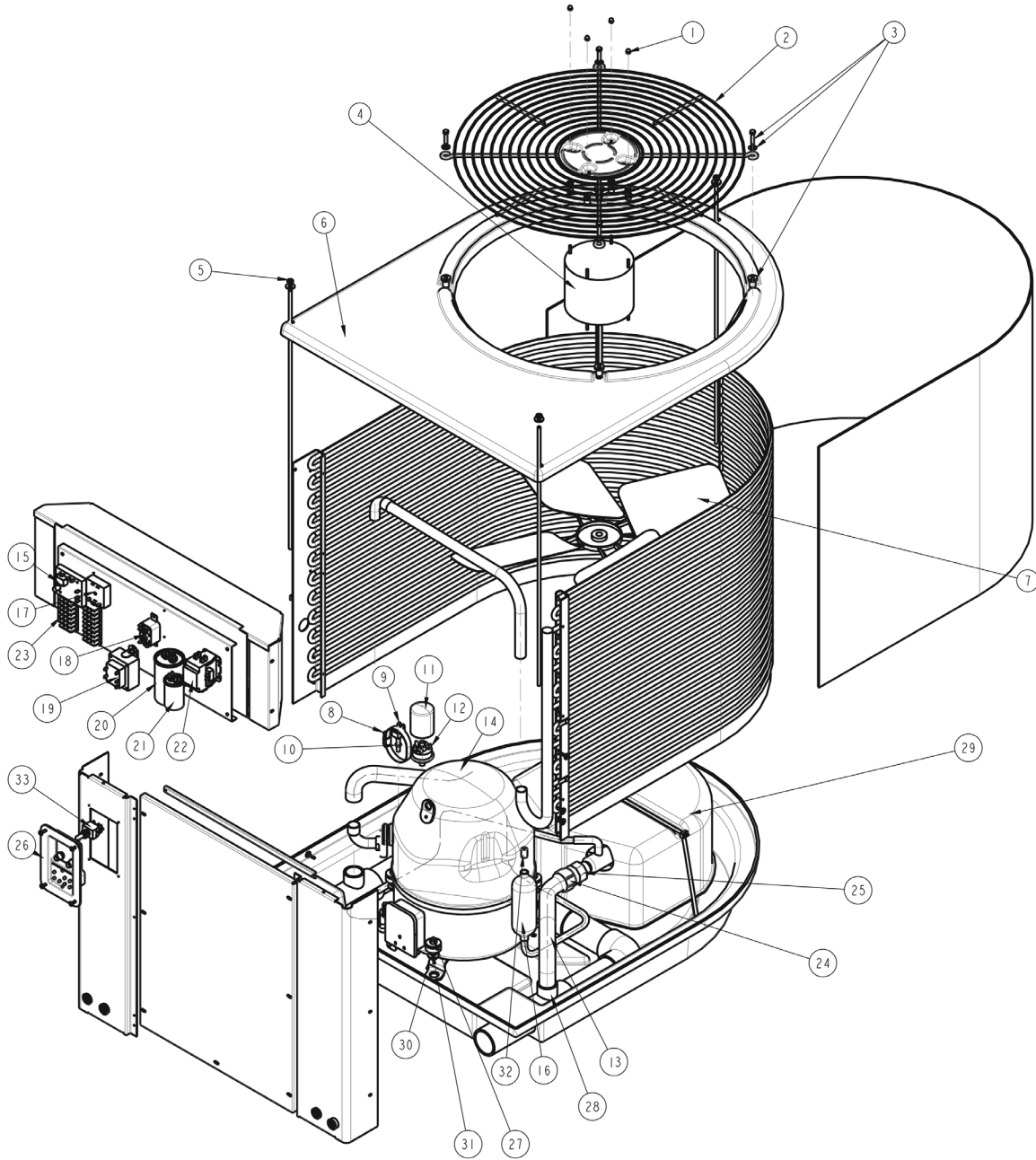
² For units manufactured after 9-1-05.

CALIFORNIA PROPOSITION 65 WARNING

 **WARNING:** Cancer and Reproductive Harm.
 **AVERTISSEMENT:** Peut Causer le Cancer et des Dommages au Système Reproducteur.
 **ADVERTENCIA:** Cáncer y Daño Reproductivo.

www.p65warnings.ca.gov
PR020114

MINIMAX® PLUS HP HEAT PUMP REPLACEMENT PARTS



CALIFORNIA PROPOSITION 65 WARNING

⚠️ **WARNING:** Cancer and Reproductive Harm.
 ⚠️ **AVERTISSEMENT:** Peut Causer le Cancer
 et des Dommages au Système Reproducteur.
 ⚠️ **ADVERTENCIA:** Cáncer y Daño Reproductivo.
www.p65warnings.ca.gov

PK2017LA




MINIMAX® PLUS HP HEAT PUMP (CONT'D)

REPLACEMENT PARTS

Item	Part No.	Description	US List	Can. List
MINIMAX PLUS HP				
1	470439	Nut, 10-32 SS acorn	5.74	6.90
2	473368	Fan guard	128.41	154.30
3	470441	Fastener kit, fan guard, 1 set	8.80	10.57
4	473224	Motor, fan	CALL	CALL
5	473285	Nut, 1/4-20 SS acorn	1.45	1.74
6	473222	Top	CALL	CALL
7	473223	Fan blade	270.01	324.44
8	9321004	Hose clamp, 2-3/4 in.	5.67	6.81
9	520272	Temperature sensor, 10K OHM, 40 in.	84.68	101.75
10	9142109	O-ring 2-109	4.74	5.70
11	473364	Protective cap for water pressure switch	4.85	5.83
12	473070	Water pressure switch	214.54	257.79
14	473024	Compressor, Trane GH633-LMI-G, Model No. 400, 600, 800	CALL	CALL
14	473025	Compressor, Trane GH673-LMI-G, Model No. 1000, 1000R, CHILLR	CALL	CALL
15	473157	Circuit board, Honeywell	310.54	373.14
16	473121	Drier, Model No. 400, 600, 800, 1000, CHILLR	106.42	127.87
16	473139	Drier, Model No. 1000R	316.17	379.91
17	473156	Time delay SSAC	200.61	241.05
18	473150	Relay, fan	124.64	149.77
19	473155	Transformer	182.14	218.86
20	473198	Capacitor, 50 MFD 440V	CALL	CALL
21	473154	Capacitor, 7.5 MFD 370V	67.24	80.80
22	473149	Contact, compressor	193.54	232.56
23	473160	Terminal block 8 POS	24.63	29.60
24	473068	Adapter, male, Model No. 400, 600, 800	10.12	12.16
24	473069	Adapter, male, Model No. 1000, 1000R, CHILLR	30.40	36.53
25	473116	Quest nut, ASM 3/4 NPT, Model No. 400, 600	32.19	38.68
25	473117	Quest nut, ASM 3/4 NPT, Model No. 800, 1000, 1000R, CHILLR	20.28	24.37
26	473216	Thermostat, Model No. 400, 600, 800, 1000	445.66	535.51
26	473221	Thermostat, Model No. 1000R	453.63	545.08

Item	Part No.	Description	US List	Can. List
27	473294	Bolt, 5/16-18 x 1-3/4 in. SS	1.45	1.74
28	473059	Bypass assembly with check valve	197.93	237.83
29	473051	Water coil assembly, Model No. 400, 600	2288.91	2750.35
29	473052	Water coil assembly, Model No. 800, 1000, 1000R, CHILLR	2590.26	3112.46
30	473295	Washer, fender	1.45	1.74
31	473026	Compressor isolation kit	24.39	29.31
32	473144	Orifice, reversible, Model No. 1000R	57.28	68.83
32	473145	Orifice, reversible, Model No. 400, 600, 800, 1000, CHILLR	57.32	68.88
33	473181	Switch, 3 position toggle	86.13	103.49
NOT SHOWN				
	473135	Valve, reversing, Model No. 1000R	CALL	CALL
	473168	Wire harness electrical	72.67	87.32
	473169	Wire harness, Trane compressor	103.04	123.81
	473172	Switch 500/ 380 hi-pressure	128.07	153.89
	473175	Switch 90/120 lo-pressure, Model No. 400, 600, 800, 1000	128.07	153.89
	473176	Switch 40/80 lo-pressure, Model No. 1000R, CHILLR	128.07	153.89
	155187	Switch toggle double insulated, Model No. CHILLR	24.16	29.03
	473381	Union nuts - 2 in.	31.34	37.66
	473035	RotoLock Hi Side with Gasket	101.38	121.82
	473034	RotoLock Lo Side with Gasket	101.38	121.82

CALIFORNIA PROPOSITION 65 WARNING

 **WARNING:** Cancer and Reproductive Harm.
 **AVERTISSEMENT:** Peut Causer le Cancer et des Dommages au Système Reproducteur.
 **ADVERTENCIA:** Cáncer y Daño Reproductivo.

www.p65warnings.ca.gov.

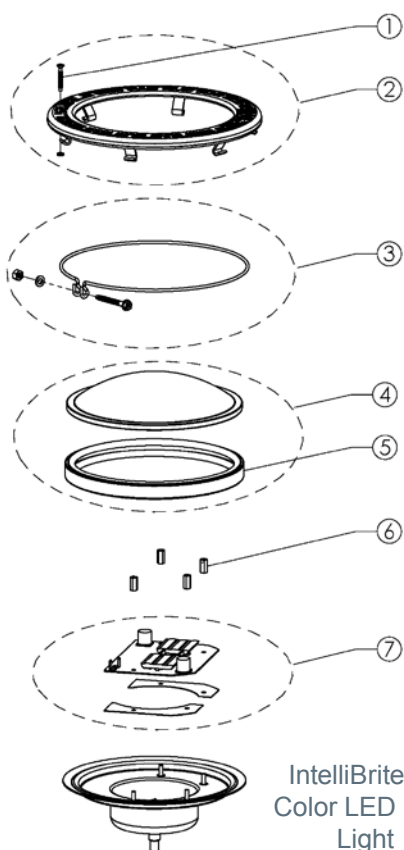
PH202114

LIGHTING PARTS

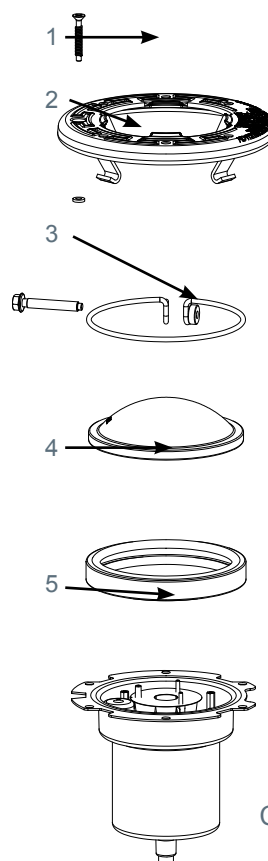
Product Catalog 2020

INTELLIBRITE® 5G COLOR LED LIGHTS

2ND GENERATION AFTER 2009 REPLACEMENT PARTS



IntelliBrite 5g
Color LED Pool
Light



IntelliBrite 5g
Color LED Spa
Light

CALIFORNIA PROPOSITION 65 WARNING

⚠ **WARNING:** Cancer and Reproductive Harm.
 ⚠ **AVERTISSEMENT:** Peut Causer le Cancer et des Dommages au Système Reproducteur.
 ⚠ **ADVERTENCIA:** Cáncer y Daño Reproductivo.
www.p65warnings.ca.gov

Item	Part No.	Description	US List	Can. List
INTELLIBRITE 5g COLOR LED POOL LIGHT				
	620276	Replacement fuse for 12V only lights	26.14	31.41
1	79104800Z	Pilot screw with captive gum washer, brass	CALL	CALL
1	619355Z	Pilot screw with captive gum washer, SS	CALL	CALL
2	79110600	Face ring assembly, SS	117.94	141.72
3	79111000	Uni-tension wire clamp assembly	70.40	84.59
4	619864Z	Lens and gasket assembly, tempered	98.93	118.87
5	620400Z	Gasket, 8-3/8 in. diameter, silicone	56.28	67.63
6	620141	Nut, retaining	CALL	CALL
7	619818Z	Light engine kit, color 2nd generation	906.41	1089.14
	600107	IntelliBrite 5g Demo with IntelliBrite Controller with hangers	CALL	CALL
	600108	IntelliBrite 5g Demo with IntelliBrite Controller without hangers	CALL	CALL
INTELLIBRITE 5g COLOR LED SPA LIGHTS				
1	79104800Z	Pilot Screw, with captive gum washer, brass	CALL	CALL
1	619355Z	Pilot screw with captive gum washer, SS	CALL	CALL
2	79111600	Face ring assembly, SS	96.55	116.01
3	79210400	Uni-tension wire clamp assembly w/ welded nut	24.44	29.37
4	640046	Lens and gasket assembly, tempered	88.81	106.71
5	79108600	Gasket, white, silicone	38.14	45.83

Note: IntelliBrite Spa light has no user serviceable parts inside.

INTELLIBRITE® COLOR LED LIGHTS

1ST GENERATION 2007-2009 REPLACEMENT PARTS



IntelliBrite Color LED Pool Light

IntelliBrite Color LED Spa Light

Item	Part No.	Description	US List	Can. List
INTELLIBRITE COLOR LED POOL LIGHTS				
1	79213100	Face ring, large plastic, snap-on, white (24-pack)	279.30	335.61
2	79104800Z	Pilot Screw, with captive gum washer, brass	CALL	CALL
2	619355Z	Pilot Screw, with captive gum washer, ss	CALL	CALL
3	79110600	Face ring assembly, Stainless steel	117.94	141.72
4	79111000	Uni-tension wire clamp assembly w/ screw and nut	70.40	84.59
6	620400Z	Gasket, 8-3/8 in. lens	56.28	67.63
INTELLIBRITE COLOR LED SPA LIGHTS				
1	79104800Z	Pilot Screw, with captive gum washer, brass	CALL	CALL
2	619355Z	Pilot Screw, with captive gum washer, ss	CALL	CALL
2	79111600	Face ring assembly, SS	96.55	116.01
3	79210400	Uni-tension wire clamp assembly w/ welded nut	24.44	29.37
4	640046	Lens Kit (includes items 4 & 5)	88.81	106.71
5	620400Z	Gasket, white, silicone	56.28	67.63

Note: 120V IntelliBrite Color Light has an integrated 12V transformer.

Note: IntelliBrite Spa light has no user serviceable parts inside.

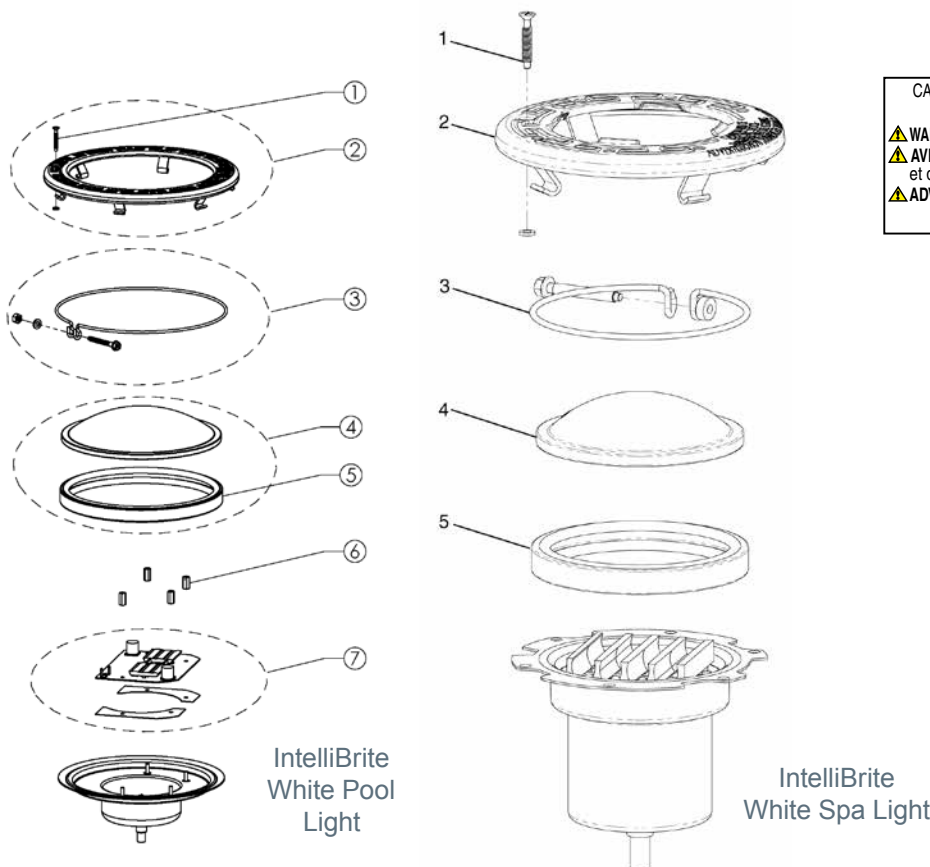
CALIFORNIA PROPOSITION 65 WARNING

▲ **WARNING:** Cancer and Reproductive Harm.
▲ **AVERTISSEMENT:** Peut Causer le Cancer et des Dommages au Système Reproducteur.
▲ **ADVERTENCIA:** Cáncer y Daño Reproductivo.

www.p65warnings.ca.gov. PH200714A

INTELLIBRITE® 5G WHITE LED LIGHTS

2ND GENERATION AFTER 2010 REPLACEMENT PARTS



CALIFORNIA PROPOSITION 65 WARNING

⚠️ **WARNING:** Cancer and Reproductive Harm.
 ⚠️ **AVERTISSEMENT:** Peut Causer le Cancer et des Dommages au Système Reproducteur.
 ⚠️ **ADVERTENCIA:** Cáncer y Daño Reproductivo.
www.p65warnings.ca.gov

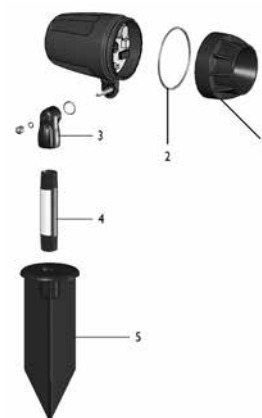
Item	Part No.	Description	US List	Can. List
INTELLIBRITE WHITE LED POOL LIGHTS				
	620276	Replacement fuse for 12V only lights (For lights built after Oct. 2015)	26.14	31.41
1	79104800Z	Pilot screw with captive gum washer, brass	CALL	CALL
1	619355Z	Pilot screw with captive gum washer, SS	CALL	CALL
1	600095	Face ring, clamp, and gasket kit	119.25	143.29
2	79110600	Face ring assembly, SS	117.94	141.72
3	79111000	Uni-tension wire clamp assembly	70.40	84.59
4	619864Z	Lens and gasket assembly, tempered	98.93	118.87
5	620400Z	Gasket, 8-3/8 in. diameter, silicone	56.28	67.63
6	620141	Nut, retaining	CALL	CALL
	619875Z	IntelliBrite 5g white LED 300w replacement engine	688.89	827.77
	619916Z	IntelliBrite 5g white LED 400w replacement engine	711.97	855.50
	619917Z	IntelliBrite 5g white LED 500w engine	765.87	920.27
INTELLIBRITE WHITE LED SPA LIGHTS				
1	79104800Z	Pilot Screw, with captive gum washer, brass	CALL	CALL
1	619355Z	Pilot screw with captive gum washer, SS	CALL	CALL
2	79111600	Face ring assembly, S/S	96.55	116.01
3	79210400	Uni-tension wire clamp assembly w/ welded nut	24.44	29.37
	640046	Lens Kit (includes items 4 and 5)	88.81	106.71
5	79108600	Gasket, white, silicone	38.14	45.83

Note: IntelliBrite Spa light has no user serviceable parts inside.

Product on pages 120-121.

INTELLIBRITE® COLOR LED LANDSCAPE LIGHT REPLACEMENT PARTS

Item	Part No.	Description	US List	Can. List
INTELLIBRITE COLOR LED LANDSCAPE LIGHT				
1	619790Z	Lens Cap	26.93	32.36
2	620013Z	O-ring, 2-150	11.52	13.84
3	690018Z	Elbow Joint, Screw, Gasket	15.39	18.49
4	620010Z	Pipe, 1/2 in. NPT x 4 in., Post	16.19	19.45
5	620017Z	Stake	32.71	39.30



Product on page 124.

CALIFORNIA PROPOSITION 65 WARNING

⚠ **WARNING:** Cancer and Reproductive Harm.
 ⚠ **AVERTISSEMENT:** Peut Causer le Cancer et des Dommages au Système Reproducteur.
 ⚠ **ADVERTENCIA:** Cáncer y Daño Reproductivo.
www.p65warnings.ca.gov

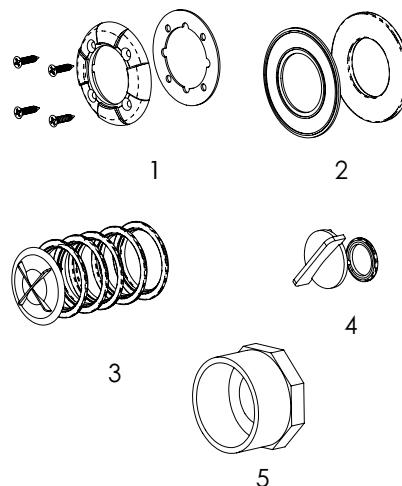
INTELLIBRITE® CONTROLLER REPLACEMENT PARTS

Item	Part No.	Description	US List	Can. List
INTELLIBRITE CONTROLLER				
1	619763	Gasket	CALL	CALL
2	690026	Knob	CALL	CALL
3	690027	Door	CALL	CALL
4	619764	Screw Kit	CALL	CALL

Product on page 124.

GLOBRITE® WHITE AND COLOR LED LIGHTS REPLACEMENT PARTS

Item	Part No.	Description	US List	Can. List
GLOBRITE LED LIGHTS				
1	620054	GloBrite vinyl replacement kit (Gasket, Screws, Face Plate in White, Blue and Grey)	41.69	50.09
2	620055	GloBrite fiberglass replacement kit (washer, gasket)	27.75	33.34
3	620056	GloBrite color ring replacement kit (color rings, plastic cover)	41.69	50.09
4	620057	GloBrite O-ring replacement kit (GloBrite O-ring, insertion tool, O-ring lubricant)	34.73	41.73
5	620058	GloBrite nut replacement kit (fiberglass/vinyl nut)	41.69	50.09

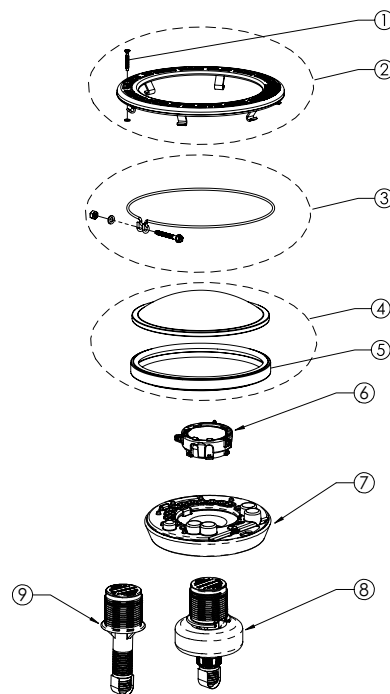


Product on pages 122-123.

AMERBRITE® WHITE AND COLOR LED LIGHTS

REPLACEMENT PARTS

Item	Part No.	Description	US List	Can. List
AMERBRITE WHITE AND COLOR LED LIGHTS				
1	79104800Z	Pilot screw w/captive gum washer	CALL	CALL
2, 3, 5	600095	Face Ring Assy (stainless steel)	119.25	143.29
4	619864Z	Replacement Lens Kit (gasket, lens)	98.93	118.87
5	620400Z	Gasket, silicone	56.28	67.63
3, 5	602097	Kit (gasket, clamp)	48.60	58.40
6	620026Z	Kit - Nut handle Assy	CALL	CALL
7	620062Z	Kit - Disc Assy - Color 120/12 VAC	511.04	614.07
7	620063Z	Kit - Disc Assy - White 12V/120V (300W equiv)	476.73	572.84
7	620064Z	Kit - Disc Assy - White 12V/120V (400W equiv)	476.73	572.84
7	620065Z	Kit - Disc Assy - White 12V/120V (500W equiv)	511.04	614.07
8	620061Z	Kit Stem, Transformer Assy - 120 VAC (color)	123.45	148.34
8	620060Z	Kit Stem, Transformer Assy - 120 VAC (white)	202.36	243.16
9	620061Z	Kit Stem Harness Assy - 12 VAC	123.45	148.34
10	602060	AmerBrite Lamp Assy 12 VAC (color-not shown)	CALL	CALL
10	602070	AmerBrite Lamp Assy 12 VAC (white-not shown)	CALL	CALL
11	602065	AmerBrite Color Lamp Assy 120 VAC (not shown)	CALL	CALL



CALIFORNIA PROPOSITION 65 WARNING

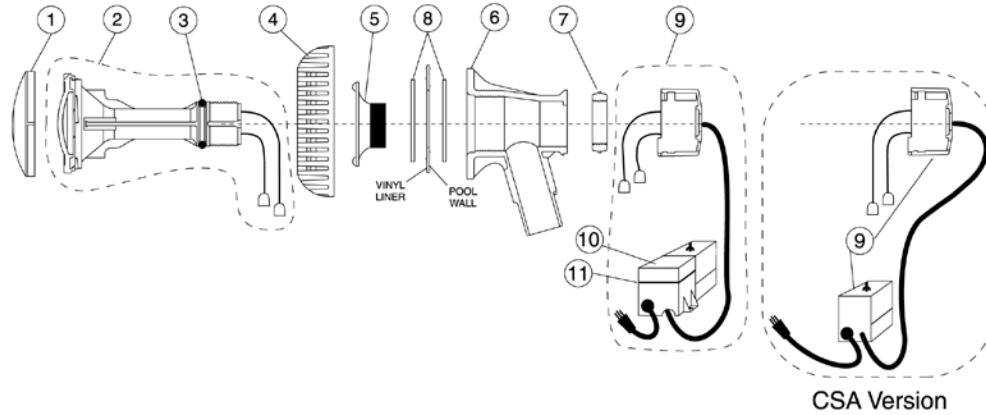
⚠ **WARNING:** Cancer and Reproductive Harm.
 ⚠ **AVERTISSEMENT:** Peut Causer le Cancer et des Dommages au Système Reproducteur.
 ⚠ **ADVERTENCIA:** Cáncer y Daño Reproductivo.

www.p65warnings.ca.gov

PK32017A

AQUALUMINATOR® / QUASAR LIGHTS

REPLACEMENT PARTS



Item	Part No.	Description	US List	Can. List
AQUALUMINATOR / QUASAR				
1	619551	Plastic lens cover kit	20.10	24.15
1	619518	Lens Luxury Green	CALL	CALL
1	79123401	Lens Luxury Blue	8.46	10.17
2	69100000	Bulb assembly, Aqualuminator	98.41	118.25
2	619494	Bulb assembly, Aqualuminator-AQL 500	108.13	129.93
3	79116900	O-ring	6.87	8.25
4	79102800	Flow director	48.22	57.94
5	79118300	Wall flange, threaded	33.86	40.69
6	79126900	Fitting body	85.93	103.25
7	79116600	Nut	20.04	24.08
8	79116800	Gasket, 2 req.	15.86	19.06
9	83000000	Transformer assembly with cord and cap	294.60	353.99
9	79103502	Transformer assembly with cord and cap, Canada only	362.20	435.22
10	619552	J-Box assembly	40.20	48.30
11	79401000	J-Box gasket	9.16	11.01
11	79110700	Spacer, mounting	10.03	12.05

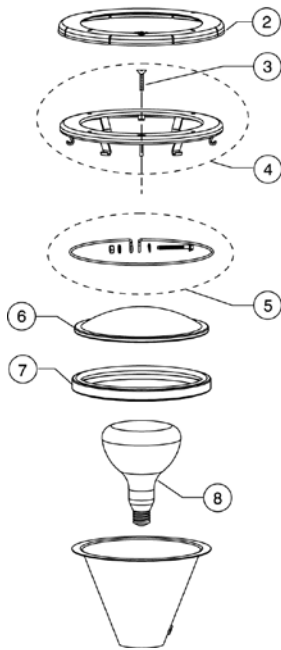
CALIFORNIA PROPOSITION 65 WARNING

⚠️ **WARNING:** Cancer and Reproductive Harm.
 ⚠️ **AVERTISSEMENT:** Peut Causer le Cancer et des Dommages au Système Reproducteur.
 ⚠️ **ADVERTENCIA:** Cáncer y Daño Reproductivo.

www.p65warnings.ca.gov
PR2017A1

AMERLITE®

LIGHTS REPLACEMENT PARTS

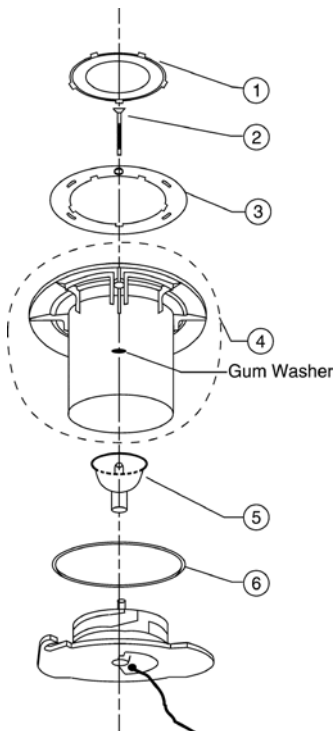


Item	Part No.	Description	US List	Can. List
AMERLITE LIGHTS				
2	79212165	Face ring, lg. plastic, SS only, grey	12.94	15.55
2	79212111	Face ring, lg. plastic, SS only, black	12.94	15.55
3	79104800Z	Pilot screw with captive gum washer, brass	CALL	CALL
3	619355Z	Pilot screw with captive gum washer, SS	CALL	CALL
4	79110600	Face ring assembly, SS	117.94	141.72
5	79111000	Uni-tension wire clamp assembly	70.40	84.59
6	79100100	Lens, clear 8-3/8 in. dia., tempered	36.39	43.73
6	79100200	Lens, medium blue 8-3/8 in. dia., tempered	100.53	120.80
7	79101600Z	Gasket for 8-3/8 in. lens	35.77	42.98
8	79101800	Floodlamp, medium base, 100 watt, 12 Volt	72.04	86.56
8	79101900	Floodlamp, medium base, 300 watt, 12 Volt	93.25	112.05
8	79102100	Floodlamp, medium base, 500 watt, 120 Volt	95.08	114.25
8	79107600	Floodlamp, medium base, 300 watt, 120 Volt	95.60	114.87
8	79102200	Floodlamp, medium base, 400 watt, 120 Volt	67.77	81.43

Product on page 125-126.

HILITE® LIGHTS

REPLACEMENT PARTS



Item	Part No.	Description	US List	Can. List
HILITE LIGHTS				
1	79105400	Colored lens, set, blue & red	21.32	25.62
2	79104800Z	Pilot screw with gum washer, brass	CALL	CALL
3	79210000	Decorative face ring, white	18.00	21.63
3	79210065	Decorative face ring, grey	18.00	21.63
3	79210011	Decorative face ring, black	18.00	21.63
4	79205700	Lens/housing assembly with instructions	95.83	115.15
5	79112400	75 watt, 12 Volt, MR-16 lamp	37.30	44.82
6	79207100	O-ring with instructions	13.50	16.22

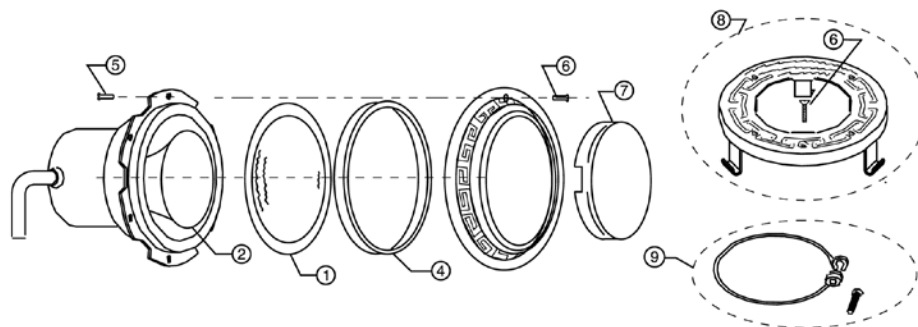
CALIFORNIA PROPOSITION 65 WARNING

⚠ **WARNING:** Cancer and Reproductive Harm.
 ⚠ **AVERTISSEMENT:** Peut Causer le Cancer et des Dommages au Système Reproducteur.
 ⚠ **ADVERTENCIA:** Cáncer y Daño Reproductivo.
www.p65warnings.ca.gov

Product on page 131.

SPABRITE® / AQUALIGHT® - LIGHTS

REPLACEMENT PARTS



Item	Part No.	Description	US List	Can. List
SPABRITE / AQUALIGHT - LIGHTS				
1	79107800	Lens, clear, 4 in. dia., tempered	26.89	32.31
2	650139Z	Bulb, 60 watt Par 16 (100 watt equivalency) (SpaBrite)	38.50	46.26
2	79108100	Floodlamp, med. base, 100 watt, 12 Volt, (SpaBrite)	53.17	63.89
2	79102900	100 watt Halogen Quartz screw base, (AquaLight) ²	103.45	124.31
2	79113800	250 watt Halogen Quartz screw base, (AquaLight) ²	103.45	124.31
2	79112400	Bulb, 75 watt, 12 Volt, bi-pole, (AquaLight)	37.30	44.82
2	070517	Bulb, 100 watt, 120 Volt, bayonet, (AquaLight) ¹	81.99	98.52
2	79112700	Bulb, 250 watt, 120 Volt, bayonet, (AquaLight) ¹	112.41	135.07
4	79108500Z	Gasket for 4 in. dia. lens, off white, (SpaBrite)	CALL	CALL
4	79108600	Gasket, white, silicone 100 watt, 250 watt, (AquaLight)	38.14	45.83
5	98208600	Screw, SS 10-24 x 3/8 in., 6 req., chrome-brass	2.46	2.96
6	79104800Z	Pilot screw with captive gum washer, brass	CALL	CALL
6	619355Z	Pilot screw with captive gum washer, SS	CALL	CALL
7	79108900	Kwik-change color lens, red	7.86	9.44
7	79109000	Kwik-change color lens, blue	7.44	8.94
7	650015	Kwik-change color lens, magenta	7.44	8.94
7	650016	Kwik-change color lens, purple	7.44	8.94
7	650017	Kwik-change color lens, teal	7.44	8.94
7	650018	Kwik-change color lens, green	7.44	8.94
7	650019	Kwik-change color lens pack, 5 colors	44.72	53.74
8	79111600	Face ring assembly, SS	96.55	116.01
9	79210400	Uni-tension wire assembly SS w/ welded nut	24.44	29.37

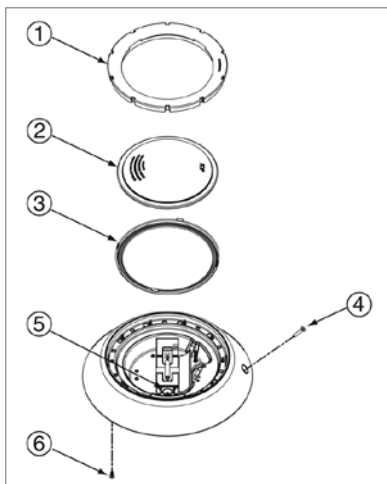
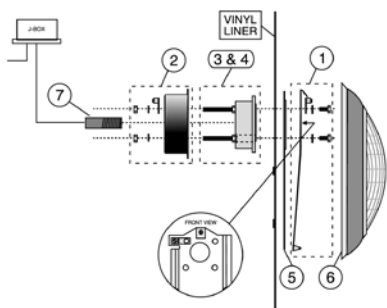
¹ Used on lights manufactured after 5-91.

² Used on lights manufactured after 1-98.

CALIFORNIA PROPOSITION 65 WARNING
 ⚠️ **WARNING:** Cancer and Reproductive Harm.
 ⚠️ **AVERTISSEMENT:** Peut Causer le Cancer et des Dommages au Système Reproducteur.
 ⚠️ **ADVERTENCIA:** Cáncer y Daño Reproductivo.
www.p65warnings.ca.gov PH.202174A

AQUALUMIN® III LIGHTS

REPLACEMENT PARTS



Item	Part No.	Description	US List	Can. List
AQUALUMIN III LIGHTS				
1	619547	Wall mounting bracket assembly	128.71	154.66
2	619548	Metal bracket cup assembly	54.67	65.69
3	619549	Mounting hub 3/4 in. assembly	102.98	123.74
4	619550	Mounting hub 1 in. assembly	102.98	123.74
5	78872600	Mounting spacer ¹	20.10	24.15
6	619617Z	Housing spacer	28.62	34.39
7	86001800	Nipple, 1 in.	30.82	37.03
LIGHT ASSEMBLY PARTS				
1	619601	Face Ring, White	CALL	CALL
3	619599Z	Gasket Lens Replacement	28.62	34.39
4	78889900	Captive Screw	3.94	4.73
6	619792	Sealing screws (10 required)	0.41	0.49
NOT SHOWN				
	600140	Kwik change lens set (set of 3)	106.80	128.33
	600138	Bulb replacement Kit (120V/250W)	138.52	166.45
	600139	Bulb Replacement Kit (12V/100W)	138.52	166.45
	600141	Lens Replacement Kit	CALL	CALL

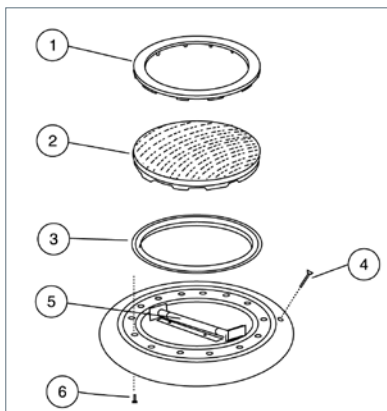
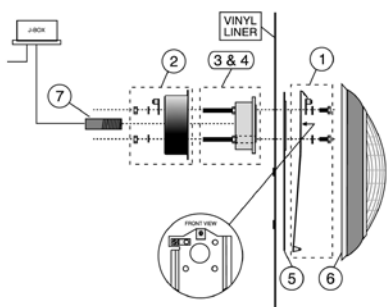
CALIFORNIA PROPOSITION 65 WARNING

⚠ **WARNING:** Cancer and Reproductive Harm.
 ⚠ **AVERTISSEMENT:** Peut Causer le Cancer et des Dommages au Système Reproducteur.
 ⚠ **ADVERTENCIA:** Cáncer y Daño Reproductivo.
www.p65warnings.ca.gov

Product on page 129.

AQUALUMIN® AND AQUALUMIN® II LIGHTS

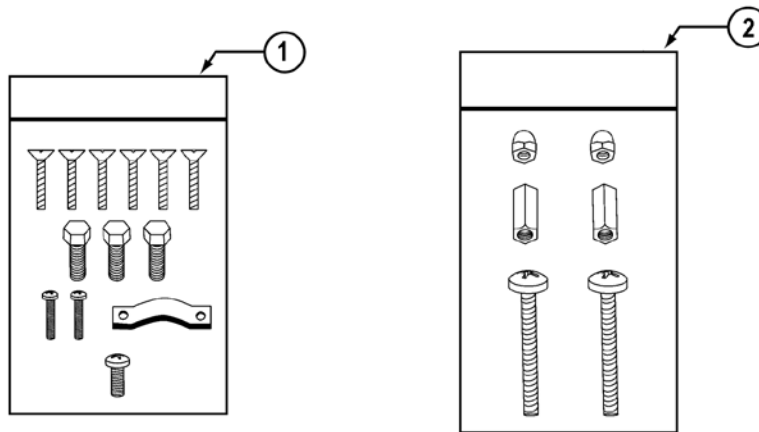
REPLACEMENT PARTS



Item	Part No.	Description	US List	Can. List
AQUALUMIN & AQUALUMIN II LIGHTS				
1	619547	Wall mounting bracket assembly	128.71	154.66
2	619548	Metal bracket cup assembly	54.67	65.69
3	619549	Mounting hub 3/4 in. assembly	102.98	123.74
4	619550	Mounting hub 1 in. assembly	102.98	123.74
5	78872600	Mounting spacer ¹	20.10	24.15
6	78882100	Housing spacer	10.03	12.05
7	86001800	Nipple, 1 in.	30.82	37.03
LIGHT ASSEMBLY PARTS				
1	78880400	Face ring, white	38.27	45.99
2	78880300	Lens	CALL	CALL
3	78880200	Lens seal	33.59	40.36
4	78889900	Pilot screw, 10-24 x 3/8	3.94	4.73
5	600052	12 Volt AquaLumin bulb kits	142.97	171.79
5	600053	120 Volt AquaLumin bulb kits	142.97	171.79
6	78881400	Sealing screws, 10 required	1.77	2.13

¹ Used on lights manufactured after 8-94.

FOUNTAIN FIXTURES REPLACEMENT PARTS



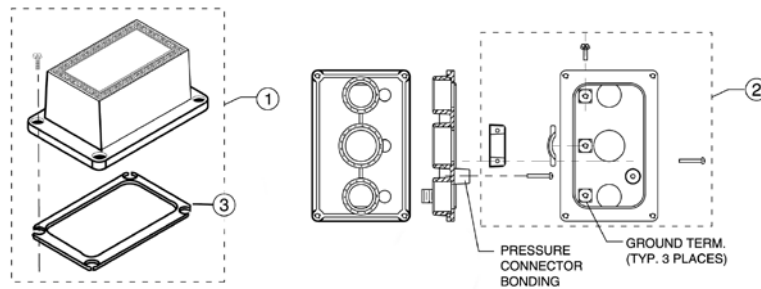
Item	Part No.	Description	US List	Can. List
FOUNTAIN FIXTURES				
1	570004	Fountain fixture screw kit	19.31	23.20
2	570011	Fountain niche mount screw kit	12.90	15.50

CALIFORNIA PROPOSITION 65 WARNING

⚠ **WARNING:** Cancer and Reproductive Harm.
 ⚠ **AVERTISSEMENT:** Peut Causer le Cancer et des Dommages au Système Reproducteur.
 ⚠ **ADVERTENCIA:** Cáncer y Daño Reproductivo.
www.p65warnings.ca.gov

Product on page 132.

JUNCTION BOXES REPLACEMENT PARTS



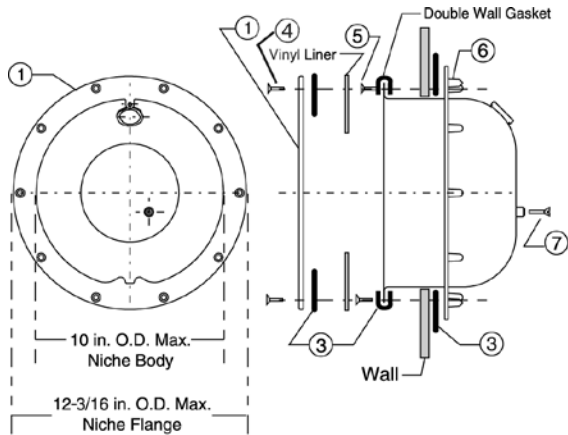
Item	Part No.	Description	US List	Can. List
JUNCTION BOXES				
1	619553	Lexan J-Box cover kit	56.88	68.35
2	79301800	1/2 in. J-Box screw kit	CALL	CALL
2	79301900	3/4 in. J-Box screw kit (also for 1 in.)	CALL	CALL
3	79300600	Gasket	9.42	11.32

CALIFORNIA PROPOSITION 65 WARNING

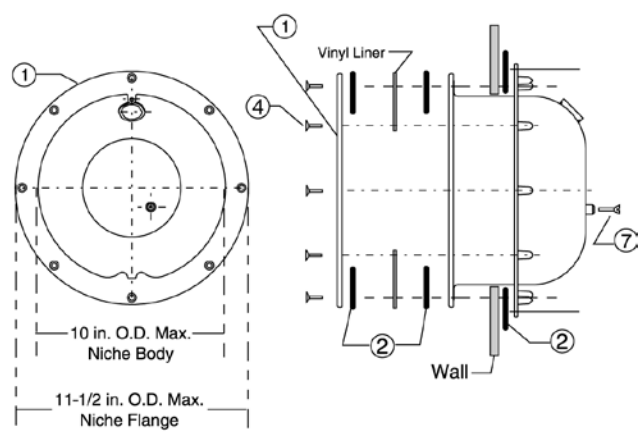
⚠ **WARNING:** Cancer and Reproductive Harm.
 ⚠ **AVERTISSEMENT:** Peut Causer le Cancer et des Dommages au Système Reproducteur.
 ⚠ **ADVERTENCIA:** Cáncer y Daño Reproductivo.
www.p65warnings.ca.gov

PENTAIR LARGE STAINLESS STEEL NICHES

REPLACEMENT PARTS



Standard 10 Hole Pattern
for vinyl or fiberglass



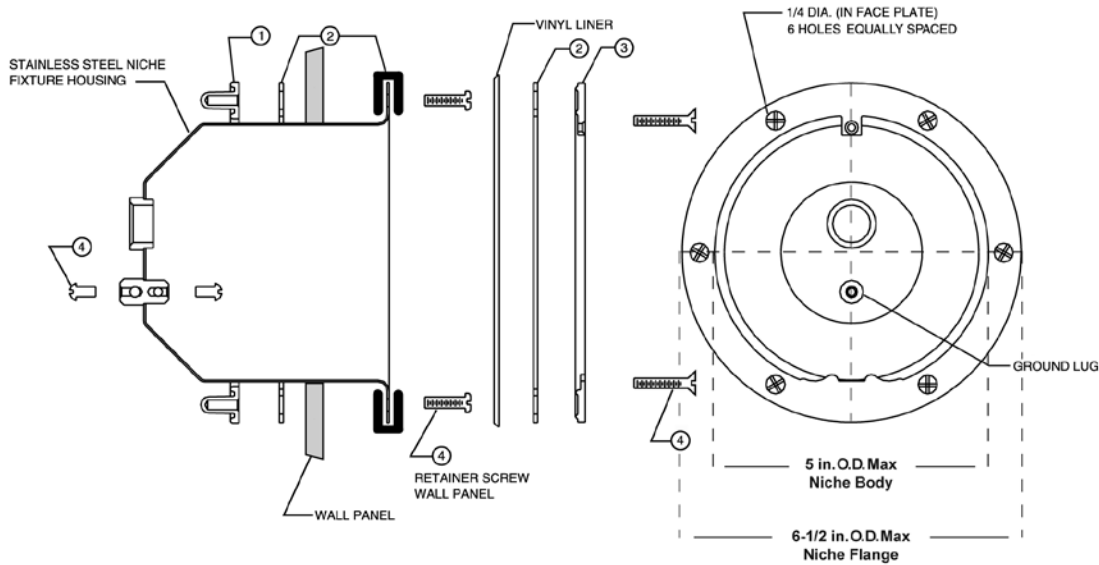
American 8 Hole Pattern

Item	Part No.	Description	US List	Can. List
PENTAIR LARGE STAINLESS STEEL NICHES				
1	79200100	Liner-sealing ring, American 8 hole	162.52	195.28
1	79200200	Liner-sealing ring, std. 10 hole	138.37	166.27
2	79200300	Gasket, set, American 8 hole pattern	53.16	63.88
3	79200700	Gasket, set, std. 10 hole pattern, w/ double wall gasket	98.01	117.77
4	98202600	Screw, sealing 1/4-20 x 1 in. Phillips flat head	4.37	5.25
4	98202700	Screw, sealing 1/4-20 x 1-1/4 in. Phillips flat head	4.42	5.31
5	98204200	Screw, retainer, fillister head, 12-24 x 3/4 in.	2.11	2.54
6	634595	Back-up ring, std. 10 hole pattern	123.02	147.82
7	98204400	Screw, grounding 10-24 x 1/2 in.	2.63	3.16
NOT SHOWN				
	79211600Z	Plaster ring, for gunite niche, pool	CALL	CALL
	79205100	Screw kit, niche, American 8 hole	39.22	47.13
	79205200	Screw kit, niche, American 8 hole, extra long	39.22	47.13
	79205300	Screw kit, niche, std. 10 hole, 1 in.	35.42	42.56
	79205400	Screw kit, niche, std. 10 hole, 1-1/4 in.	39.22	47.13
	79226300	Screw kit, niche, std. 10 hole, 1-3/8 in.	15.86	19.06
	79200400	Gasket, set, std. 10 hole, w/o double wall gasket	69.99	84.10
	60028300	Bonding Lug Potting Sealant	170.90	205.35

CALIFORNIA PROPOSITION 65 WARNING
 ⚠️ **WARNING:** Cancer and Reproductive Harm.
 ⚠️ **AVERTISSEMENT:** Peut Causer le Cancer et des Dommages au Système Reproducteur.
 ⚠️ **ADVERTENCIA:** Cáncer y Daño Reproductivo.
www.p65warnings.ca.gov PN 201514

PENTAIR SMALL STAINLESS STEEL NICHES

REPLACEMENT PARTS



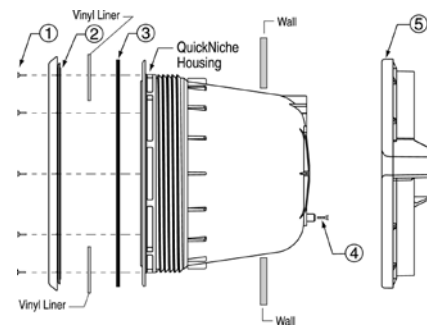
Item	Part No.	Description	US List	Can. List
PENTAIR SMALL STAINLESS STEEL NICHES				
1	79205600	Back-up ring	52.16	62.68
2	79207900	Gasket set, small niche, w/ double wall gasket	98.01	117.77
2	79204603	Gasket set, small niche, w/o double wall gasket	21.32	25.62
3	79206000	Sealing ring	87.00	104.54
4	79205500	Screw kit	23.44	28.17
NOT SHOWN				
	79203200	Plaster ring, for gunite niche, spa	CALL	CALL
	60028300	Bonding Lug Potting Sealant	170.90	205.35

Product on page 137.

QUICKNICHE™ VINYL LINER NICHE

REPLACEMENT PARTS

Item	Part No.	Description	US List	Can. List
QUICKNICHE				
1	630056	Screw kit, QuickNiche, 10 hole	13.49	16.21
2	630017	Sealing ring w/ gasket	54.00	64.89
3	630025	Gasket	23.65	28.42
4	990010	Screw, bonding 10-24 x 7/16 in.	1.69	2.03
5	630016	Lock ring	45.07	54.16
NOT SHOWN				
	619555	Bonding lug kit	28.97	34.81
	630022	Screw, pilot	6.78	8.15
	630023	Silicone packet DC 732 clear	18.20	21.87
	630047	Repair Kit for QuickNiche	52.82	63.47
	60028300	Bonding Lug Potting Sealant	170.90	205.35



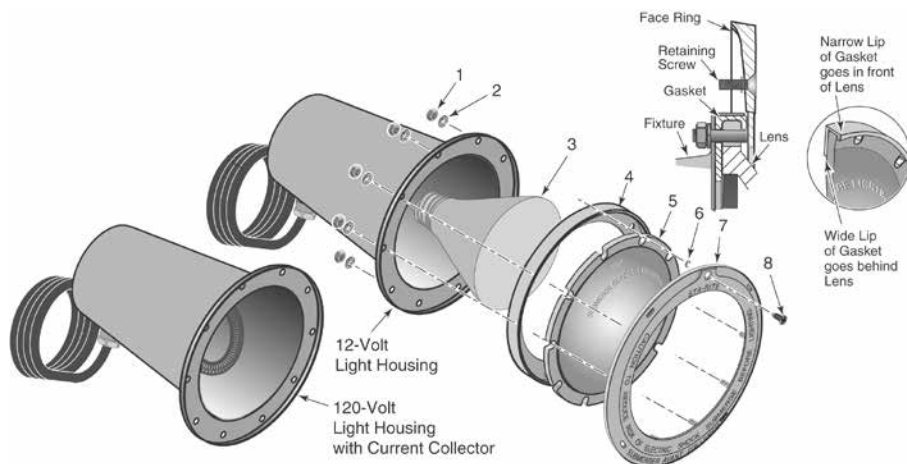
QuickNiche

CALIFORNIA PROPOSITION 65 WARNING
⚠ WARNING: Cancer and Reproductive Harm.
⚠ AVERTISSEMENT: Peut Causer le Cancer et des Dommages au Système Reproducteur.
⚠ ADVERTENCIA: Cáncer y Daño Reproductivo.
www.p65warnings.ca.gov P650718A

Product on page 138.

SWIMQUIP LIGHTS

REPLACEMENT PARTS



Item	Part No.	Description	US List	Can. List
SWIMQUIP PARTS				
1	U36-106SS	10-32 Lock Nut	1.55	1.86
2	98213900	#10 Lockwasher	1.69	2.03
3	79101800	Light Bulb (12V, 100W)	72.04	86.56
3	79101900	Light Bulb (12V, 300W)	93.25	112.05
3	79102100	Light Bulb (120V, 500W)	95.08	114.25
4	05057-0118	Lens Gasket	55.66	66.88
5	05055-0003	Clear Lens	96.69	116.18
6	33103-0006	E-Ring	5.99	7.20
7	WC203-52SS	Face Ring	269.35	323.65
8	37337-0079	Retaining Screw	8.02	9.64

Part No.	Description	Cord Length (Ft.)	Carton Wt. (Lbs.)	US List	Can. List
SWIMQUIP REPLACEMENT LIGHTS – 12 VOLT					
05082-0025	12 Volt Light, 300 Watt	25	13	CALL	CALL
05082-0050	12 Volt Light, 300 Watt	50	18	CALL	CALL
SWIMQUIP REPLACEMENT LIGHTS – 120 VOLT					
05086-0025	120 Volt Light, 500 Watt	25	8	CALL	CALL
05086-0050	120 Volt Light, 500 Watt	50	10	CALL	CALL
05086-0100	120 Volt Light, 500 Watt	100	14	CALL	CALL

Note: SwimQuip lights are for replacement only. UL/CSA listing requires that the light be installed in a SwimQuip niche (discontinued).

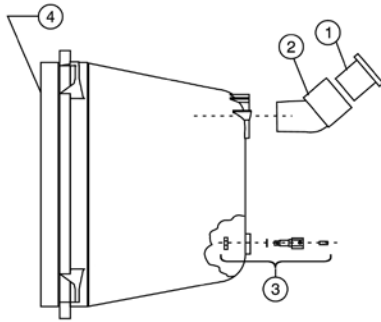
CALIFORNIA PROPOSITION 65 WARNING

▲ **WARNING:** Cancer and Reproductive Harm.
▲ **AVERTISSEMENT:** Peut Causer le Cancer et des Dommages au Système Reproducteur.
▲ **ADVERTENCIA:** Cáncer y Daño Reproductivo.

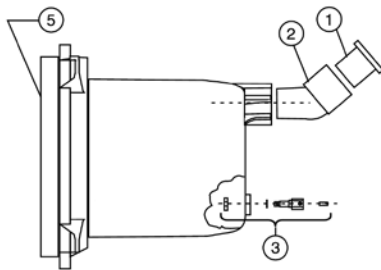
www.p65warnings.ca.gov

PLASTIC CONCRETE NICHES

REPLACEMENT PARTS



Large Plastic Niche



Small Plastic Niche

Item	Part No.	Description	US List	Can. List
PLASTIC CONCRETE NICHES				
1	619477	1 in. x 3/4 in. reducer	16.04	19.27
2	619476	45 deg. angle adapter	18.45	22.17
3	619555	Bonding lug kit	28.97	34.81
4	79206500	Large metal insert	36.92	44.36
5	79206300	Small metal insert	39.52	47.49
NOT SHOWN				
	990010	Screw, bonding 10-24 x 7/16 in.	1.69	2.03
	670044	Cord seal grommet kit, Qty 3	25.35	30.46
	670040	Cord seal cap	10.67	12.82
	60028300	Bonding Lug Potting Sealant	170.90	205.35

CALIFORNIA PROPOSITION 65 WARNING

⚠ **WARNING:** Cancer and Reproductive Harm.
 ⚠ **AVERTISSEMENT:** Peut Causer le Cancer et des Dommages au Système Reproducteur.
 ⚠ **ADVERTENCIA:** Cáncer y Daño Reproductivo.
www.p65warnings.ca.gov



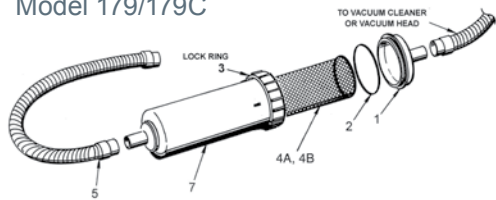
MAINTENANCE & SAFETY EQUIPMENT

Product Catalog 2020

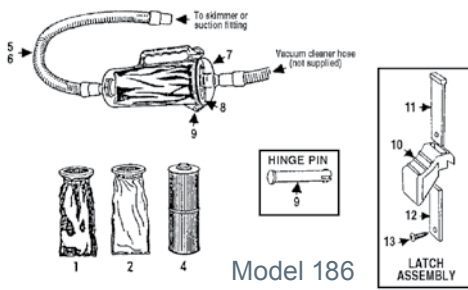
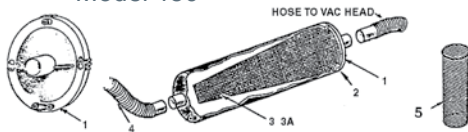
LEAF TRAPS - MODELS 179/179C, 180 & 186

REPLACEMENT PARTS

Model 179/179C



Model 180



Model 186



360476

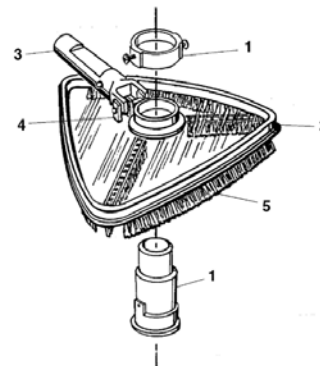
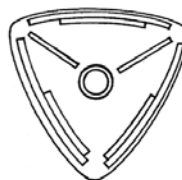
CALIFORNIA PROPOSITION 65 WARNING
 ⚠️ **WARNING:** Cancer and Reproductive Harm.
 ⚠️ **AVERTISSEMENT:** Peut Causer le Cancer et des Dommages au Système Reproducteur.
 ⚠️ **ADVERTENCIA:** Cáncer y Daño Reproductivo.
www.p65warnings.ca.gov PH 201514

Item	Part No.	Description	US List	Can.List
Model 179/179C				
1	R211506	Lid No. 179	33.06	39.72
2	R172223	O-ring No. 360	6.29	7.56
3	R172214	Lock ring	19.32	23.21
4	R211516	Std. mesh bag No. 179	14.78	17.76
4A	R211536	Canvas bag No. 179 and No. 186	41.37	49.71
4B	R211518	Sand/silt bag No. 179 and No. 186	29.25	35.15
5	R211256	3 ft. Flexible vacuum hose	25.57	30.72
Product No. : R211016				
Model No. : 180				
Description: Leaf Trap				
1	R211206	Lid No. 171	14.65	17.60
2	R18608	O-ring No. 256	9.52	11.44
3	R211216	Std. mesh bag No. 180	12.23	14.70
3A	R211226	Canvas bag No. 180	30.20	36.29
4	R211256	3 ft. flexible vacuum hose	25.57	30.72
Product No. : R211084				
Model No. : 186-A 186-B 186-C 186-D				
Description: Leaf Trap Leaf Trap Leaf Trap Leaf Trap				
1	R211516	Std. mesh bag No. 179	14.78	17.76
2	R211536	Canvas bag No. 179, No. 186	41.37	49.71
2A	R211518	Sand/silt bag	29.25	35.15
4	R172653	25 sq. ft. cartridge w/ plug	46.68	56.09
4A	R172654	50 sq. ft. cartridge w/ plug	80.98	97.31
5	R211256	3 ft. of 1-1/2 in. vacuum hose	25.57	30.72
6	R211260	3 ft. of 2 in. vacuum hose	36.41	43.75
7	R18650	Lid only 1-1/2 in.	31.39	37.72
7A	R18651	Lid only 2 in.	33.60	40.37
8	R172223	O-Ring	6.29	7.56
9	R18654	Hinge pin	1.60	1.92
10	R18648	Latch handle	6.29	7.56
11	R18655	Spring latch	1.60	1.92
12	R18656	Retainer spring latch	1.60	1.92
13	R01045	Screw No. 6 x 1/2 in.	1.60	1.92
13	R211600	Latch & O-ring kit (includes No. 8 through No. 13)	10.35	12.44
14	R18680	2 in. Canister & handle only	111.29	133.73
14A	R18682	1-1/2 in. Canister & handle only	111.29	133.73
Product No: 360476 Leaf Trap				
1	371208	Main body	CALL	CALL
2	371252	Lid	CALL	CALL
3	371253	Rubber seal	CALL	CALL
4	371254	Clasp	CALL	CALL
5	371255	Internal basket	CALL	CALL

CLEAR VIEW VACUUM - MODEL 196

REPLACEMENT PARTS

Item	Part No.	Description	US List	Can. List
Product No. : R201032 R201034				
Model No. : 196 196LW				
Description: CLEAR VIEW VACUUM				
1	R03183	Swivel hose connector parts kit	11.76	14.13
2	R03132	Vinyl replacement bumper	6.28	7.55
3	R201476	No. 192 Snap adapt handle	4.24	5.09
4	R03101	2-1/4 in. connecting pin	0.95	1.14
5	R201540	Replacement brushes	18.06	21.70



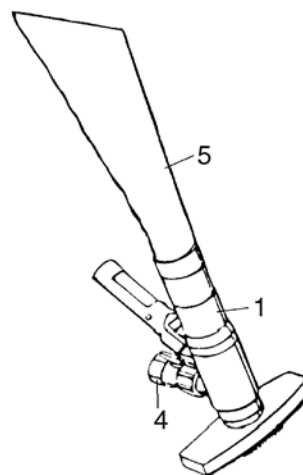
CALIFORNIA PROPOSITION 65 WARNING
 ⚠️ **WARNING:** Cancer and Reproductive Harm.
 ⚠️ **AVERTISSEMENT:** Peut Causer le Cancer et des Dommages au Système Reproducteur.
 ⚠️ **ADVERTENCIA:** Cáncer y Daño Reproductivo.
www.p65warnings.ca.gov PN320194

Product on page 160.

MINI VAC - MODEL 204

REPLACEMENT PARTS

Item	Part No.	Description	US List	Can. List
Product No. : R201146				
Model No. : 204				
Description: MINI VAC®				
5	R201696	Replacement bag	9.22	11.08
5A	R201718	Replacement bags, 2 per bubble pack	22.55	27.10
Opt.	R201716	Silt socks, 3 per bubble pack	9.69	11.64

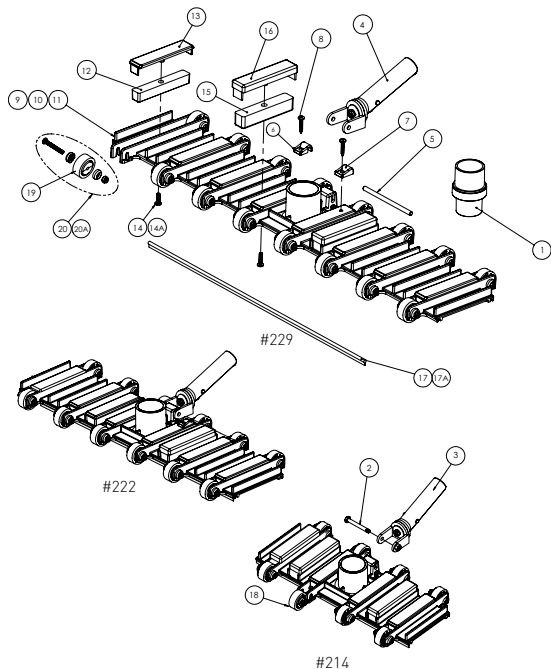


CALIFORNIA PROPOSITION 65 WARNING
 ⚠️ **WARNING:** Cancer and Reproductive Harm.
 ⚠️ **AVERTISSEMENT:** Peut Causer le Cancer et des Dommages au Système Reproducteur.
 ⚠️ **ADVERTENCIA:** Cáncer y Daño Reproductivo.
www.p65warnings.ca.gov PN320194

Product on page 162.

PROVAC® VACUUM - MODEL 214R, 222R, 214, 222, 229

REPLACEMENT PARTS



Item	Part No.	Description	US List	Can. List
Product No. : R201270 R201276 R201286 R201290 R201296				
Model No. : 214R 214 222 222R 229				
Description: PROVAC FLEXIBLE VACUUM				
1	R201566	Hose swivel adapter	4.77	5.73
2	R201496	Stainless steel nut & bolt for handle (No. 214, No. 214R & No. 222R)	2.00	2.40
3	R201476	No. 192 Snap-adapt handle (No. 214R, No. 222R)	4.24	5.09
4	R201408	No. 152 Metal swivel handle (No. 214, No. 222 & No. 229)	35.85	43.08
5	R03161	Stainless steel shaft (No. 222 & No. 229)	7.20	8.65
6	R03087	Left shaft retainer	1.60	1.92
7	R03088	Right shaft retainer	1.60	1.92
8	R01023	Screw, shaft retainer	1.60	1.92
9	R03152	Flexible body only (No. 214)	8.98	10.79
10	R03153	Flexible body only (No. 222)	26.07	31.33
11	R03154	Flexible body only (No. 229)	31.55	37.91
12	R02006	Lead only	6.47	7.77
13	R03128	Lead cover only	1.64	1.97
14	R01074	Screw, lead cover 5/8 in.	CALL	CALL
14A	R01075	Screw, lead cover 3/4 in.	1.60	1.92
15	R02009	Lead, large only	13.45	16.16
16	R03160	Lead cover, large only	6.29	7.56
17	R201776	White flex strip, short leg, 5 ft. bubble pack	7.22	8.68
17A	R201778	Blue flex strip, long leg, 5 ft. bubble pack	9.25	11.11
18	R03021	No. 174 Solid plastic wheel (No. 214R, No. 222R)	1.99	2.39
19	R201557Z	No. 175 Ball bearing polyurethane wheel	CALL	CALL
20	R201456	Axle assembly, does not include wheel (No. 214R, No. 222R)	3.39	4.07
20A	R201458	Axle assembly, does not include wheel (No. 214, No. 222, No. 229)	1.58	1.90

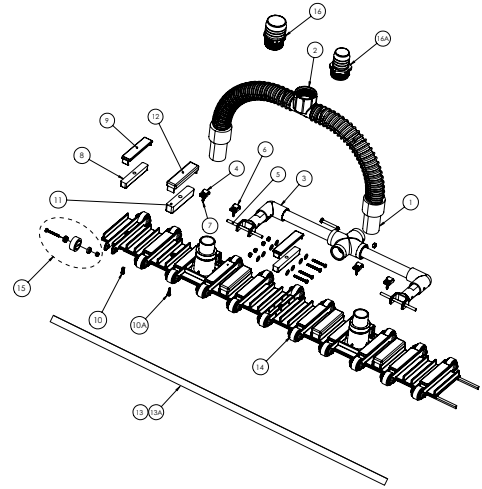
CALIFORNIA PROPOSITION 65 WARNING

⚠ **WARNING:** Cancer and Reproductive Harm.
 ⚠ **AVERTISSEMENT:** Peut Causer le Cancer et des Dommages au Système Reproducteur.
 ⚠ **ADVERTENCIA:** Cáncer y Daño Reproductivo.
www.p65warnings.ca.gov

SUPER PROVAC® VACUUM - MODEL 241

REPLACEMENT PARTS

Item	Part No.	Description	US List	Can. List
Product No. : R201298				
Model No. : 241				
Description: SUPER PROVAC FLEXIBLE VACUUM				
1	R201566	Hose swivel adapter	4.77	5.73
2	R201756	Manifold assembly	65.87	79.15
3	R201780	Handle joining assembly	93.57	112.43
4	R03087	Left shaft retainer	1.60	1.92
5	R03161	SS shaft	7.20	8.65
6	R03088	Right shaft retainer	1.60	1.92
7	R01023	Screws, shaft retainer	1.60	1.92
8	R02006	Lead only	6.47	7.77
9	R03128	Lead cover only	1.64	1.97
10	R01074	Screws, lead cover 5/8 in.	CALL	CALL
10A	R01075	Screws, lead cover 3/4 in.	1.60	1.92
11	R02009	Lead, large only	13.45	16.16
12	R03160	Lead cover, large only	6.29	7.56
13	R201776	White flex strip, short leg, 5 ft. bubble pack	7.22	8.68
13A	R201778	Blue flex strip, long leg, 5 ft. bubble pack	9.25	11.11
14	R201557Z	No. 175 Ball bearing polyurethane wheel	CALL	CALL
15	R201458	Axle assembly, does not include wheel	1.58	1.90
16	R03120	2 in. Insert male adapter	22.89	27.50
16A	R03121	1-1/2 in. Insert male adapter	7.98	9.59



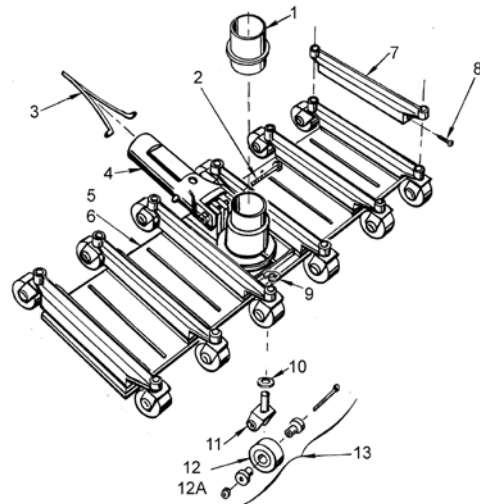
CALIFORNIA PROPOSITION 65 WARNING
 ⚠️ **WARNING:** Cancer and Reproductive Harm.
 ⚠️ **AVERTISSEMENT:** Peut Causer le Cancer et des Dommages au Système Reproducteur.
 ⚠️ **ADVERTENCIA:** Cáncer y Daño Reproductivo.
www.p65warnings.ca.gov PH 20171A

Product on page 161.

SWIVEL WHEEL FLEXIBLE VACUUMS - MODELS 250, 252

REPLACEMENT PARTS

Item	Part No.	Description	US List	Can. List
Product No. : R201126 R201136				
Model No. : 250 252				
Description: SWIVEL WHEEL FLEXIBLE VACUUM				
1	R201566	Hose swivel adapter	4.77	5.73
2	R201496	SS bolt and nut for handle	2.00	2.40
3	R22001Z	Spring clip w/High Performance Acetal Resin No. 170	CALL	CALL
4	R201476	Snap adapt handle w/ delrin clip No. 192	4.24	5.09
5	R03012	Flexible base 19 in. model No. 250	38.10	45.78
6	R03013	Flexible base 14 in. model No. 252	CALL	CALL
7	R03032	Caster support No. 265 ¹	6.29	7.56
8	R01023	Lead retainer screw ¹	1.60	1.92
9	R03058	SS retainer clip No. 267 ¹	6.29	7.56
10	R201626	Wheel adjustment washers No. 266 ¹	2.64	3.17
11	R03026	Swivel caster No. 263 ¹	6.29	7.56
12	R03021	Solid plastic wheel model No. 252 ¹	1.99	2.39
12A	R03022	Solid polyurethane wheel model No. 250 ¹	3.94	4.73
13	R201606	Axle assembly (less wheel) No. 264 ¹	3.53	4.24
13	R201500	No. 250 Replacement kit, (4 each) No. 177 wheels, No. 263 casters, No. 264 axle assembly, No. 267 clips, bubble pack card	23.35	28.06
13	R201451	No. 250 Replacement kit, (4 each) No. 174 wheels, No. 263 casters, No. 264 axle assembly, No. 267 clips, bubble pack card	15.82	19.01



¹ Parts fit Model No. 215 Swivel wheel commercial vacuum.

CALIFORNIA PROPOSITION 65 WARNING
 ⚠️ **WARNING:** Cancer and Reproductive Harm.
 ⚠️ **AVERTISSEMENT:** Peut Causer le Cancer et des Dommages au Système Reproducteur.
 ⚠️ **ADVERTENCIA:** Cáncer y Daño Reproductivo.
www.p65warnings.ca.gov PH 20171A

Product on page 161.

VACUUM HEAD PARTS



Product No.	Model No.	Description	Pack Qty.	Carton Wt. (Lbs.)
WHEELS				
174 SOLID MOLDED WHEEL FITS ALL VACUUMS 1-3/8 IN. WHITE WITH 3/8 IN. HOLE				
R03021	174	Molded wheel	Bulk	
R201426	174	4 per card, bubble pack	12	2
177 POLYURETHANE DELUXE WHEEL 1-3/8 IN. TRANSLUCENT WITH 3/8 IN. HOLE				
R03022	177	Wheel	Bulk	
R201446	177	4 per card, bubble pack	12	2
175 BALL BEARING WHEEL 1-3/8 IN. DIAMETER WITH 3/8 IN. HOLE, LONG WEARING POLYURETHANE WHEEL WITH DELRIN® INNER RACE AND STAINLESS STEEL BALLS				
R201557Z	175	Ball bearing	Bulk	
R201558	175	4 per card, bubble pack	12	2
178 AXLE ASSEMBLY FOR No. 188, No. 200, No. 201, No. 188-20, No. 214R AND No. 222R				
R201456	178	Axle assembly	Bulk	
R201466	178	4 sets per card, bubble pack	12	2
176 AXLE ASSEMBLY. FOR No. 203				
R201470	176	Axle assembly	Bulk	
R201472	176	4 sets per card, bubble pack	12	2
REPLACEMENT KITS				
R201498	203	Replacement kit, No. 174 wheels, No. 176 axle assembly (4 each) bubble pack	12	
R201500	250	Replacement kit, (4 each) No. 177 wheels, No. 263 casters, No. 264 axle assembly, No. 267 clips, bubble pack	12	
R201451	252	Replacement kit, (4 each) No. 174 wheels, No. 263 casters, No. 264 axle assembly, No. 267 clips, bubble pack	12	
152 METAL SWIVEL VACUUM HANDLE. POLISHED CHROME FINISH. SNAP-ADAPT. FITS MOST VACS.				
R201408	152	Metal swivel handle	Bulk	
R201409	152	1 per card, bubble pack.	12	
FLEX STRIPS FOR PROVAC MODELS				
R201776		White, bubble pack	12	
R201778		Blue, bubble pack	12	

Product No.	Model No.	Description	Pack Qty.	Carton Wt. (Lbs.)
154 METAL ONE PIECE HANDLE. POLISHED CHROME FINISH. SNAP-ADAPT. FITS MOST VACS.				
R201421	154	Metal handle	Bulk	
R201420	154	1 per card, bubble pack	12	
192 SNAP-ADAPT HANDLE. TOUGH ABS WITH DELRIN® SPRING CLIP. FITS ALL VACS AND TELEPOLES.				
R201476	192	Snap adapt handle	Bulk	
R201486	192	1 per card, bubble pack	12	2
R201492	192	With 2-1/4 in. pin, bubble pack	12	2
R201490	192	With 1-3/4 in. pin, bubble pack	12	2
170 DELRIN SPRING CLIP				
R22001Z	170	170 Spring clip	Bulk	
R201556	170	3 per card, bubble pack	12	2
190 STAINLESS STEEL NUT & BOLT.				
R201496	190	For handle mounting	Bulk	
HANDLE CONNECTION PINS				
R03086		1-3/4 in. long, For No. 193 Vac, No. 615	Bulk	
R03101		2-1/4 in. long, For No. 185, No. 196, No. 198, No. 201, No. 203	Bulk	
STAINLESS STEEL SPRING				
R03099		For No. 198, No. 201, No. 203	Bulk	
MANIFOLD ASSEMBLY				
R201756		For No. 207, No. 215, No. 241	Bulk	
HANDLE JOINING ASSEMBLY				
R201766		For No. 207, No. 215	Bulk	
R201780		For No. 241	Bulk	
REPLACEMENT BRUSHES				
R201526	193R	For No. 193, bubble pack	12	4
R201536	194R/195R	For No. 194 and No. 195, bubble pack	12	4
R201540	196R	For No. 196, bubble pack	12	
R201302	198R	For No. 198, bubble pack	12	4

CALIFORNIA PROPOSITION 65 WARNING

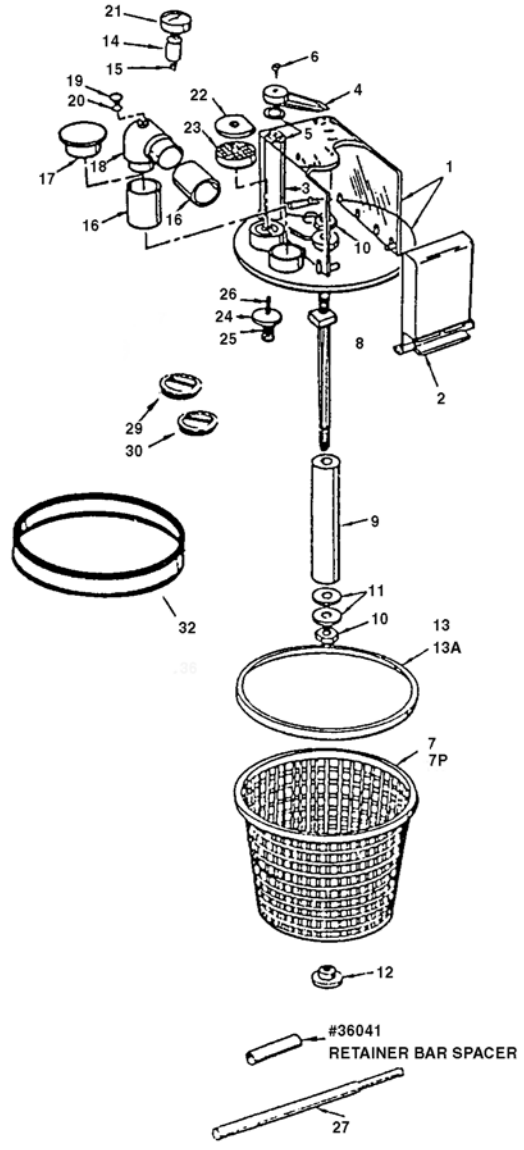
⚠ **WARNING:** Cancer and Reproductive Harm.
 ⚠ **AVERTISSEMENT:** Peut Causer le Cancer et des Dommages au Système Reproducteur.
 ⚠ **ADVERTENCIA:** Cáncer y Daño Reproductivo.

www.p65warnings.ca.gov
PR 202174

VAC-MATE® VACUUM/SKIMMER

REPLACEMENT PARTS

Item	Part No.	Qty.	Description	US List	Can. List
Product No. : R211100 Description: MULTIFUNCTION VACUUM SKIMMER ATTACHMENT					
1	R36026	1	Top housing & plate assembly (large) R211100	65.98	79.28
2	R36027	1	Weir assembly	6.28	7.55
3	R36028	1	Control shaft assembly	6.28	7.55
4	R36013	1	Control handle	6.29	7.56
5	R36022	2	Thrust washer	1.60	1.92
6	R01045	1	Control handle screw	1.60	1.92
7	R36009	1	Debris basket only R211100	14.49	17.41
7P	R38007	1	Debris basket, Pentair style 501021-1022	7.38	8.87
8	R36017	1	Basket shaft R211100-5 1/2 in.	6.29	7.56
9	R36003	1	Lead weight	8.81	10.59
10	R01066	2	Hex nut 3/8-16	1.60	1.92
11	R36016	2	Spacer washer	1.64	1.97
12	R36024	1	Knob	6.29	7.56
13	R36002	1	Gasket, large, fits R36009 basket	5.95	7.15
13A	R36025	1	Gasket, Hayward style basket	5.96	7.16
14	R172204	1	Coupling, vacuum gauge R211101	CALL	CALL
15	R172050	1	Nipple, vacuum gauge R211101	CALL	CALL
16	R36030	2	Cuff	6.28	7.55
17	R36019	1	Cap plug	6.29	7.56
18	R36031	1	90° elbow	8.30	9.97
19	R172392	1	Plug 1/4 in. MPT	6.29	7.56
20	R172393	1	O-ring for R172392 plug	6.29	7.56
21	R36006	1	Vacuum gauge	40.74	48.95
22	R36023	1	Anti-Vortex plate	6.29	7.56
23	R36020	1	By-pass screen	6.29	7.56
24	R36018	1	Disc, by-pass	6.29	7.56
25	R36004	1	Spring, by-pass	6.29	7.56
26	R36021	1	Adjustment screw	1.60	1.92
27	R36033	1	Retainer bar, long, R211100	7.85	9.43
29	R22011	1	Threaded plug 2 in.	5.14	6.18
30	R22010	1	Threaded plug 1-1/2 in.	2.84	3.41
32	R36046	2	Gasket, Baker Hydro ring	6.50	7.81



CALIFORNIA PROPOSITION 65 WARNING
 ⚠️ WARNING: Cancer and Reproductive Harm.
 ⚠️ AVERTISSEMENT: Peut Causer le Cancer et des Dommages au Système Reproducteur.
 ⚠️ ADVERTENCIA: Cáncer y Daño Reproductivo.
 www.p65warnings.ca.gov. PA820174A

PUMP PARTS

Product Catalog 2020

INTELLIFLO® & INTELLIPRO® PUMP DRIVE PART NUMBER HISTORY

REPLACEMENT PARTS

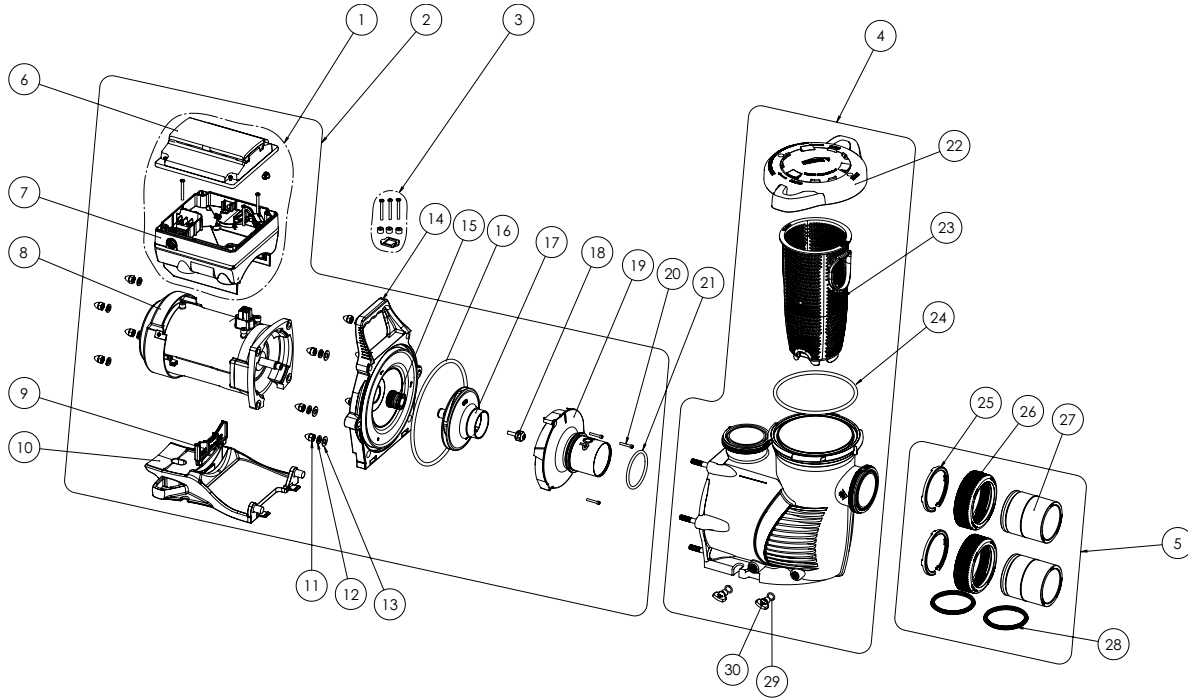
NOTE: The table below lists original drive kit part numbers and active replacement parts for the IntelliFlo and IntelliPro family pump product lines.

Pump Part No.	Pump Name	Pump Obsolete?	Original Drive Kit	Original Drive Available?	Current Drive Part No.	Current Keypad Part No.	Current Drive Kit
IntelliFlo Family Pump Product Line							
011008	IntelliFlo i1 <i>original</i>	Yes	353251	No	356878Z	357527Z	356879Z
011009	IntelliFlo i2 <i>original</i>	Yes	353251	No	356878Z	357527Z	356879Z
011018	IntelliFlo VS <i>original</i>	Yes	353251	No	356878Z	357527Z	356879Z
011017	IntelliFlo VS+SRVS <i>original</i>	Yes	351021	No	356910Z	357527Z	356911Z
011012	IntelliFlo VF	Yes	350721	No	356880Z	357527Z	356922Z
011059	IntelliFlo i1	No	356879Z	Yes	356878Z	357527Z	356879Z
011060	IntelliFlo i2	No	356879Z	Yes	356878Z	357527Z	356879Z
011055	IntelliFlo 2 VST	Yes	356879Z	Yes	356878Z	357527Z	356879Z
011028	IntelliFlo VS	No	356879Z	Yes	356878Z	357527Z	356879Z
011057	IntelliFlo VS+SVRS	No	356911Z	Yes	356910Z	357527Z	356911Z
011056	IntelliFlo VSF	No	356922Z	Yes	356880Z	357527Z	356922Z
022005	IntelliFloXF <i>original</i>	Yes	353251	No	356878Z	357527Z	356879Z
022055	IntelliFloXF VS	No	356879Z	Yes	356878Z	357527Z	356879Z
022056	IntelliFloXF VSF	No	357521Z	Yes	356896Z	357527Z	357521Z
IntelliPro Family Pump Product Line							
P6E6VS4H-209L	IntelliPro VS	No	353252	No	356892Z	358527Z	356893Z
P6E6XS4H-209L	IntelliPro VS+SVRS <i>original</i>	Yes	353250	No	356912Z	358527Z	356913Z
013001	IntelliPro 2 VST	Yes	356893Z	Yes	356892Z	358527Z	356893Z
013002	IntelliPro VS+SVRS	No	356913Z	Yes	356912Z	358527Z	356913Z
013004	IntelliPro VSF	No	353141Z	Yes	356657Z	358527Z	353141Z
023005	IntelliProXF VS <i>original</i>	Yes	353252	No	356892Z	358527Z	356893Z
023055	IntelliProXF VS	No	356893Z	Yes	356892Z	358527Z	356893Z
023056	IntelliProXF VSF	No	352032Z	Yes	356898Z	358527Z	352032Z

CALIFORNIA PROPOSITION 65 WARNING
 ⚠️ **WARNING:** Cancer and Reproductive Harm.
 ⚠️ **AVERTISSEMENT:** Peut Causer le Cancer et des Dommages au Système Reproducteur.
 ⚠️ **ADVERTENCIA:** Cáncer y Daño Reproductivo.
www.p65warnings.ca.gov PA 201514

INTELLIFLOX[®] VSF PUMP INTELLIFLOX[®] VS PUMP - AFTER AUGUST 2015

REPLACEMENT PARTS



Item	Part No.	Description	US List	Can. List
INTELLIFLO PUMP				
1	357521Z	Drive Kit (VSF model)	CALL	CALL
1	356879Z	Drive Kit (VS model)	1574.99	1892.51
2	400655Z	Power End Kit (VS model)	2842.51	3415.56
3	355685	Drive Hardware Kit	119.16	143.18
4	400000	Wet End Assembly	346.35	416.17
5	410020	Union Kit w/o Tap	157.79	189.60
6	357527Z	Keypad Assembly Kit	376.45	452.34
7	356896Z	Drive (VSF model)	CALL	CALL
7	356878Z	Drive (VS model)	CALL	CALL
8	350305S	Motor	CALL	CALL
9	070929	Motor Support Insert	21.21	25.49
10	400004Z	Motor Base	42.27	50.79
11	071413	Acorn Nut (Qty. 10)	1.34	1.61
12	U43-12SS	Lock Washer (Qty. 10)	2.92	3.51
13	072184	Flat Washer (Qty. 6)	1.69	2.03
14	400002	Seal Plate	228.90	275.05
15	17351-0101S	Mechanical Seal	28.74	34.53
16	351446	Seal Plate O-Ring	6.87	8.25
17	400015	Impeller	139.51	167.64
18	37337-6080	Impeller Screw Set	21.22	25.50
19	400010	Diffuser	100.17	120.36
20	353323	Diffuser Screws	3.60	4.33
21	350336	Diffuser O-Ring	3.60	4.33
22	400006	Lid/Locking Ring Assembly	60.94	73.23

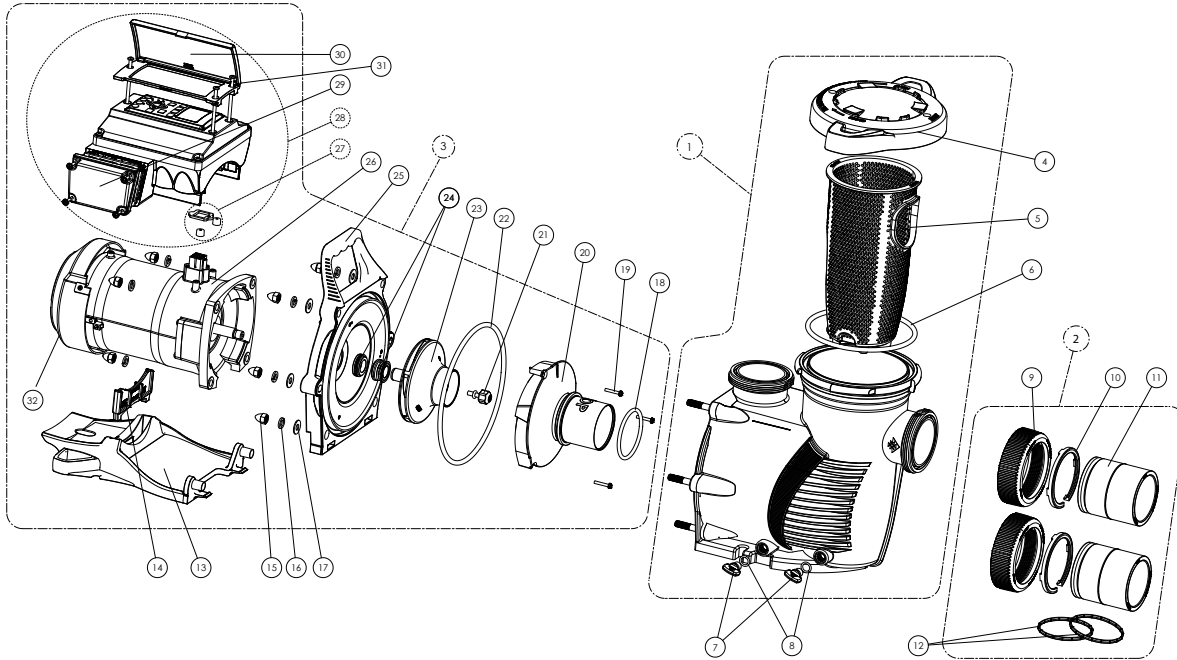
Item	Part No.	Description	US List	Can. List
23	400007Z	Strainer Basket	38.11	45.79
24	35505-1440	Lid/Locking Ring O-Ring	20.44	24.56
25	410001	2.5" C-Clip Locking Ring (Qty. 2)	7.72	9.28
26	411000	2.5" Union Nut (Qty. 2)	21.20	25.47
27	410002	2.5" Union Adapter w/o Tap (Qty. 2)	36.56	43.93
28	410016Z	2.5" Diamond Seal Kit (Qty. 2)	13.05	15.68
29	192115Z	Drain Plug O-Ring (Qty. 2)	CALL	CALL
30	071131Z	Drain Plug (Qty. 2)	CALL	CALL
NOT SHOWN				
	356904Z	Keypad Relocation Kit	81.82	98.31
	400031Z	Seal Plate w/Mech Seal	221.68	266.37
	350122	50 Ft. Communication Cable	186.48	224.07
	352401	Motor Fan Kit	191.35	229.93

CALIFORNIA PROPOSITION 65 WARNING

⚠ **WARNING:** Cancer and Reproductive Harm.
 ⚠ **AVERTISSEMENT:** Peut Causer le Cancer et des Dommages au Système Reproducteur.
 ⚠ **ADVERTENCIA:** Cáncer y Daño Reproductivo.

www.p65warnings.ca.gov
PH201714

INTELLIFLOXF® VARIABLE SPEED PUMP - BEFORE AUGUST 2015 REPLACEMENT PARTS



Item	Part No.	Description	US List	Can. List
INTELLIFLOXF PUMP				
1	400000	Wet End Assembly	346.35	416.17
2	410020	Union Kit	157.79	189.60
3	400605Z	Power End Assy w/ Drive & Motor	CALL	CALL
4	400006	Lid/Locking Ring Assy	60.94	73.23
5	400007Z	XF Series Replacement Basket	38.11	45.79
6	35505-1440	Lid/Locking Ring O-Ring	20.44	24.56
7	071131Z	Drain Plug (2 req.)	CALL	CALL
8	192115Z	Drain Plug O-ring (2 req.)	CALL	CALL
9	411000	2.5 in. Union Nut	21.20	25.47
10	410001	2.5 in. C-Clip Locking Ring	7.72	9.28
11	410002	2.5 in. Union Adapter	36.56	43.93
12	410016Z	2.5 in. Seal Kit - (Includes 2)	13.05	15.68
13	400004Z	Motor Base	42.27	50.79
14	357160	Motor Support Insert- Black	21.21	25.49
15	071413	Acorn Nut (each)	1.34	1.61
16	U43-12SS	Split Lock Washer (each)	2.92	3.51
17	072184	Flat Washer (each)	1.69	2.03
18	350336	Diffuser O-ring	3.60	4.33
19	353323	Diffuser Screw	3.60	4.33
20	400010	Diffuser	100.17	120.36

Item	Part No.	Description	US List	Can. List
21	37337-6080	Impeller Reverse Screw	21.22	25.50
22	351446	Seal Plate O-Ring	6.87	8.25
23	400015	Impeller Assembly	139.51	167.64
24	17351-0101S	Mechanical Seal Assembly	28.74	34.53
25	400002	Seal Plate	228.90	275.05
26	350105S	Motor Kit	CALL	CALL
27	350612	Drive Hardware and Gasket Kit (includes item #31)	119.16	143.18
28	356879Z	Variable Speed Drive Assy Kit	1574.99	1892.51
29	350621	Field Wiring Comp Kit w/ Gasket	22.38	26.89
30	350601	Control Cover Assy Kit (incl. item #27) ¹	238.72	286.85
30	400100	Control Cover Assy Kit (incl. item #27) ²	238.72	286.85
31	350107	Screw 10-24 x 3-1/4 in. PH MS 18-8SS (Qty. 3)	4.62	5.55
32	352401	Motor Fan Kit (contains Fan, Shroud, Hardware)	191.35	229.93
NOT SHOWN				
	400031Z	Seal Plate Kit w/ Mech Seal	221.68	266.37
	400012	Riser Plate XF to Challenger	73.13	87.87
	350122	50 Ft. Communication Cable	186.48	224.07

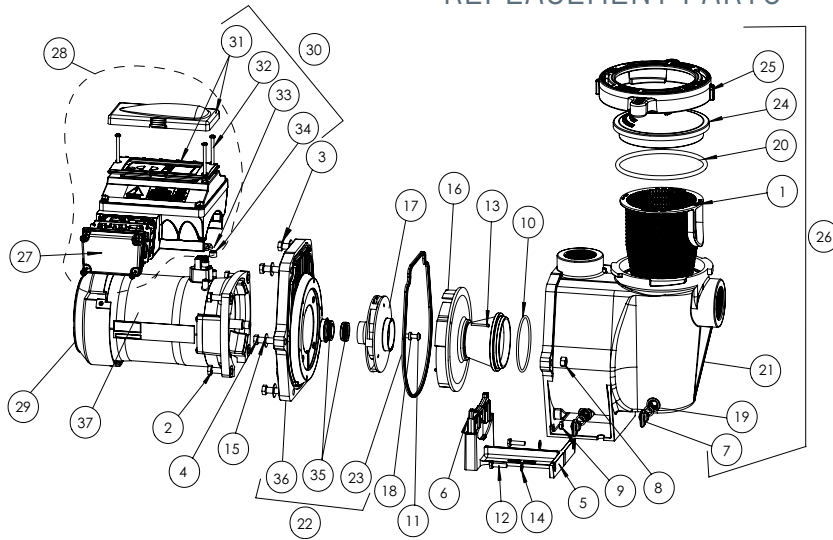
¹ Used on pumps manufactured before 12/23/13
² Used on pumps manufactured after 12/23/13 to present

CALIFORNIA PROPOSITION 65 WARNING

⚠ **WARNING:** Cancer and Reproductive Harm.
 ⚠ **AVERTISSEMENT:** Peut Causer le Cancer et des Dommages au Système Reproducteur.
 ⚠ **ADVERTENCIA:** Cáncer y Daño Reproductivo.
www.p65warnings.ca.gov

INTELLIFLO® VF PUMP

REPLACEMENT PARTS



CALIFORNIA PROPOSITION 65 WARNING

⚠ **WARNING:** Cancer and Reproductive Harm.
 ⚠ **AVERTISSEMENT:** Peut Causer le Cancer et des Dommages au Système Reproducteur.
 ⚠ **ADVERTENCIA:** Cáncer y Daño Reproductivo.
www.p65warnings.ca.gov P650074

Item	Part No.	Description	US List	Can. List
INTELLIFLO VF PUMP				
1	070387Z	Basket WF	CALL	CALL
2	070429ZZ	Bolt hex HD, 2-56 x .875 S/S, 4 req.	CALL	CALL
3	070430	Bolt, 3/8-16 x 1-1/4 hex cap 18-8 S/S, 4 req.	2.76	3.32
4	070431	Bolt, 3/8-16 x 2 hex cap 18-8 S/S, 2 req.	3.03	3.64
5	070927	Foot WF, pump motor support, almond	42.27	50.79
6	070929	Foot insert WF pump, almond	21.21	25.49
7	071131Z	Plug drain WFE, almond, 2 req.	CALL	CALL
8	071403	Nut, 3/8-16 brass nickel plated, 2 req.	1.69	2.03
9	071406	Nut, 1/4-20 hex S/S, 2 req.	1.69	2.03
10	355227Z	O-ring #238, 3.484 x .139, buna N 70	CALL	CALL
11	071652Z	Screw, 1/4, 20 x 1 LH phillips pan MS 18-8 S/S, 1 req.	CALL	CALL
12	071657Z	Screw, 1/4-20 x 1 in. hex cap 18-8 S/S, 2 req.	CALL	CALL
13	071660Z	Screw set, 4-40 x 1-1/8 WFE sckt cap 18-8 S/S, 2 req.	CALL	CALL
14	072183	Washer, flat 1/4 x 5/8 20GA thick 18-8 S/S, 2 req.	1.69	2.03
15	072184	Washer, 3/8 ID x 7/8 OD .05 thick 18-8 S/S, 6 req.	1.69	2.03
16	072928	Diffuser assembly, black	100.17	120.36
17	073131	Impeller, IntelliFlo	110.03	132.21
18	075713	Rubber washer, WFE pump, 1 req.	1.69	2.03
19	192115Z	O-ring 112, .487 x .103 buna -N 70, 2 req.	CALL	CALL
20	350013Z	O-ring lid CH/WF 2-436, 1 req.	CALL	CALL
21	350015	Housing WFE, almond	251.61	302.33
22	350202	Seal plate kit, almond w/ gasket (Items 23, 35, 36)	221.99	266.74
23	357100Z	Black Gasket for Seal plate	CALL	CALL
23	357102Z	Almond Gasket for Seal plate	CALL	CALL
24	357151	Lid, see thru WF.	39.57	47.55
24	357156	Lid, Chemical Resistant	74.65	89.70
25	357199	Clamp cam & ramp WF, almond	52.56	63.16

Item	Part No.	Description	US List	Can. List
26	357243	Pot WF assy., almond (contains 1, 7 (qty. 2), 19 (qty. 2), 20, 21, 24, 25)	526.49	632.63
27	350621	Junction Box Cover - Almond	22.38	26.89
28	350721	Drive IntelliFlo VF assy. kit, almond (contains drive VF, control cover assy.)	CALL	CALL
29	352401	Motor fan kit, almond (contains fan, shroud, hardware).	191.35	229.93
30	350601	Drive Control Cover assembly kit, almond (contains drive lid, screws, spacer caps, items 31, 32 (qty. 3), 33, 34 (qty. 3) ¹)	238.72	286.85
30	400100	Drive Control Cover assembly kit, almond (contains drive lid, screws, spacer caps, items 31, 32 (qty. 3), 33, 34 (qty. 3) ²)	238.72	286.85
31	350082	Control cover assembly (not sold individually - order item assy. kit item #30)	CALL	CALL
32	350107	Screw 10-24 x 3 1/4 in. PH MS 18-8 s/s (qty. 3)	4.62	5.55
33	350108	IntelliFlo drive gasket	9.59	11.52
34	350142	Spacer cap (qty. 3)	33.51	40.27
35	071734S	Seal Kit	33.41	40.15
36	074564Z	Seal Plate - Almond	CALL	CALL
37	350105S	Motor VFD 3.2KW PMSM replacement, almond	CALL	CALL

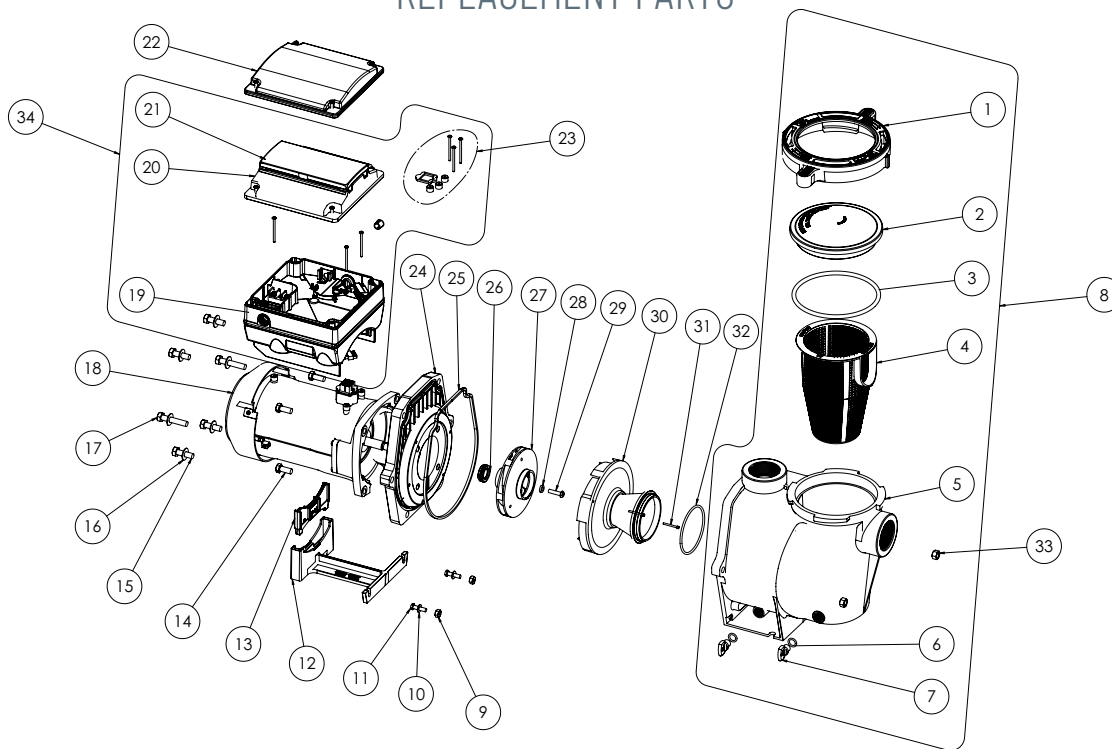
NOT SHOWN				
	070112	Power end IntelliFlo VF (Contains items 2 (qty. 4), 10, 11, 13, 15, 16, 17, 18, 19, 22, 28, 37)	CALL	CALL
	350122	50 ft. Communication Cable	186.48	224.07
	357149	Almond Volute/Seal plate Replacement Kit (Items 1, 7 (Qty 2), 19 (Qty 2), 20, 21, 22, 23, 24, 25)	331.07	397.81
	350612	Hardware/gasket assy. kit (contains 3 screws, 3 spacer caps and drive gasket)	119.16	143.18
	357603	Union Kit (contains 2 complete unions for one pump, not included with pump).	123.12	147.94
	350199	Seal Plate Kit (ozone/salt resistant)	216.81	260.52

¹ Used on pumps manufactured before 12/28/11

² Used on pumps manufactured after 12/28/11

INTELLIFLO® VSF PUMP/INTELLIFLO 2 VST PUMP INTELLIFLO VS PUMP - AFTER 2018

REPLACEMENT PARTS



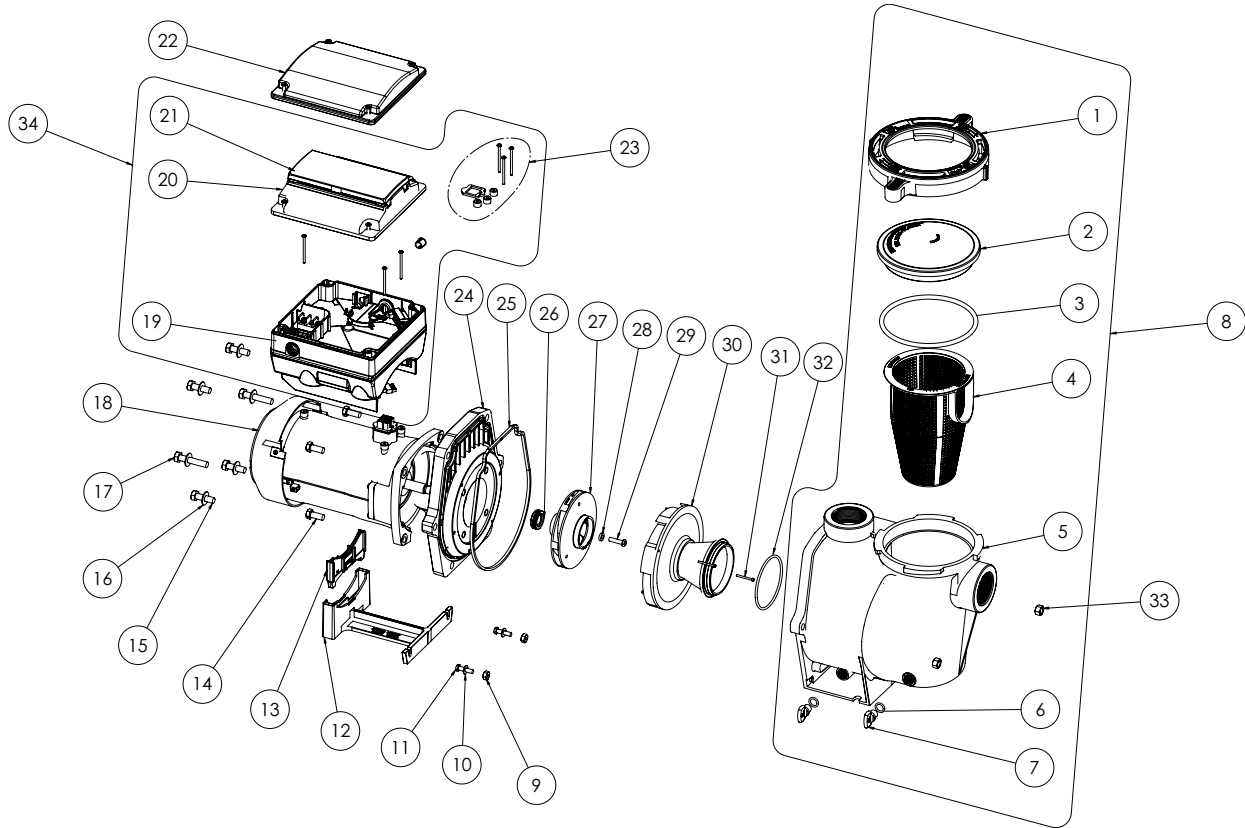
Item	Part No.	Description	US List	Can. List
INTELLIFLO PUMP				
1	357199	Clamp, Cam and Ramp	52.56	63.16
2	357151	See-through Lid	39.57	47.55
3	350013Z	Lid O-Ring	CALL	CALL
4	070387Z	Strainer Basket	CALL	CALL
5	350015	Volute WF	251.61	302.33
6	192115Z	O-Ring 112 for Drain Plug (Qty 2)	CALL	CALL
7	071131Z	Drain Plug WF (Qty 2)	CALL	CALL
8	357243	Volute Kit (Contains items #1-7)	526.49	632.63
9	071406	Nut 1/4-20 Hex SS (Qty 2)	1.69	2.03
10	072183	Washer, Flat 1/4" ID x 5/8" OD (Qty 2)	1.69	2.03
11	071657Z	Screw 1/4-20 x 1" Hex Cap SS (Qty 2)	CALL	CALL
12	070927	Foot WF	42.27	50.79
13	070929	Foot Insert WFE Pump Motor Support	21.21	25.49
14	070429ZZ	Bolt, Hex Head 3/8-16 x 1.25" (Qty 4)	CALL	CALL
15	072184	Washer, Flat 3/8" ID x 7/8 OD (Qty 6)	1.69	2.03
16	070430	Bolt, Hex Head 3/8-16 x 1.25" (Qty 4)	2.76	3.32
17	070431	Bolt, Hex Head 3/8-16 x 2" (Qty 2)	3.03	3.64
18	350305S	Motor, 3.2 kW 10 Pole	CALL	CALL
19	356880Z	Drive (VSF model)	CALL	CALL
19	356878Z	Drive (2VST and VS models)	CALL	CALL
20	357527Z	Keypad Assembly Kit (Contains item #21)	376.45	452.34
21	400100	Keypad Cover	238.72	286.85
22	356904Z	Keypad Relocation Kit (Contains Keypad Relocation cable and Blank Drive Cover)	81.82	98.31

Item	Part No.	Description	US List	Can. List
23	355685	Drive Hardware Kit (Contains Drive Screws, Drive Gasket and Screw Caps)	119.16	143.18
24	074564Z	Seal Plate	CALL	CALL
25	357100Z	Seal Plate Gasket	CALL	CALL
26	071734S	Mechanical Seal	33.41	40.15
27	073131	Impeller	110.03	132.21
28	075713	Rubber Washer, Impeller Set Screw	1.69	2.03
29	071652Z	Impeller Set Screw 1/4-20 LH Thread	CALL	CALL
30	072928	Diffuser	100.17	120.36
31	071660Z	Diffuser Set Screw 4-40 x 1-1/8 (Qty 2)	CALL	CALL
32	355227Z	Diffuser O-Ring	CALL	CALL
33	071403	Nut 3/8" Brass, Nickel Plated (Qty 2)	1.69	2.03
34	356922Z	Drive Kit (VSF model) (Incl. Items #19-23)	1574.99	1892.51
34	356879Z	Drive Kit (2VST and VS models) (Incl. Items #19-23)	1574.99	1892.51
NOT SHOWN				
	350122	50 Ft. Communication Cable	186.48	224.07
	350202	Seal Plate Kit w/Mechanical Seal (Incl. Items #24, 25 and 26)	221.99	266.74
	354044	Power End - (2VST and VS models)	2632.50	3163.21
	357603	Union Kit (Incl. 2 complete unions for 1 pump - Not included with pump)	123.12	147.94
	350199	Seal Plate Kit (Ozone/Salt resistant)	216.81	260.52
	352401	Motor Fan Kit	191.35	229.93

CALIFORNIA PROPOSITION 65 WARNING
 ⚠️ **WARNING:** Cancer and Reproductive Harm.
 ⚠️ **AVERTISSEMENT:** Peut Causer le Cancer et des Dommages au Système Reproducteur.
 ⚠️ **ADVERTENCIA:** Cáncer y Daño Reproductivo.
www.p65warnings.ca.gov PH020114

INTELLIFLO® VS+SVRS PUMP - AFTER JUNE 2016

REPLACEMENT PARTS



Item	Part No.	Description	US List	Can. List
INTELLIFLO VS+SVRS PUMP				
1	357199	Clamp, Cam and Ramp	52.56	63.16
2	357151	See-through Lid	39.57	47.55
3	350013Z	Lid O-Ring	CALL	CALL
4	070387Z	Strainer Basket	CALL	CALL
5	350015	Volute WF	251.61	302.33
6	192115Z	O-Ring 112 for Drain Plug (Qty 2)	CALL	CALL
7	071131Z	Drain Plug WF (Qty 2)	CALL	CALL
8	357243	Volute Kit (Contains items #1-7)	526.49	632.63
9	071406	Nut 1/4-20 Hex SS (Qty 2)	1.69	2.03
10	072183	Washer, Flat 1/4" ID x 5/8" OD (Qty 2)	1.69	2.03
11	071657Z	Screw 1/4-20 x 1" Hex Cap SS (Qty 2)	CALL	CALL
12	070927	Foot WF	42.27	50.79
13	070929	Foot Insert WFE Pump Motor Support	21.21	25.49
14	070429Z	Bolt, Hex Head 3/8-16 x 1.25" (Qty 4)	CALL	CALL
15	072184	Washer, Flat 3/8" ID x 7/8" OD (Qty 6)	1.69	2.03
16	070430	Bolt, Hex Head 3/8-16 x 1.25" (Qty 4)	2.76	3.32
17	070431	Bolt, Hex Head 3/8-16 x 2" (Qty 2)	3.03	3.64
18	350305S	Motor, 3.2 kW 10 Pole	CALL	CALL
19	356910Z	Drive	CALL	CALL
20	357527Z	Keypad Assembly Kit (Contains item #21)	376.45	452.34
21	400100	Keypad Cover	238.72	286.85
22	356904Z	Keypad Relocation Kit (Contains Keypad Relocation cable and Blank Drive Cover)	81.82	98.31

Item	Part No.	Description	US List	Can. List
23	355685	Drive Hardware Kit (Contains Drive Screws, Drive Gasket and Screw Caps)	119.16	143.18
24	074564Z	Seal Plate	CALL	CALL
25	357100Z	Seal Plate Gasket	CALL	CALL
26	071734S	Mechanical Seal	33.41	40.15
27	073131	Impeller	110.03	132.21
28	075713	Rubber Washer, Impeller Set Screw	1.69	2.03
29	071652Z	Impeller Set Screw 1/4-20 LH Thread	CALL	CALL
30	072928	Diffuser	100.17	120.36
31	071660Z	Diffuser Set Screw 4-40 x 1-1/8 (Qty 2)	CALL	CALL
32	355227Z	Diffuser O-Ring	CALL	CALL
33	071403	Nut 3/8" Brass, Nickel Plated (Qty 2)	1.69	2.03
34	356911Z	Drive Kit (Incl. Items #19-23)	CALL	CALL

NOT SHOWN

350122	50 Ft. Communication Cable	186.48	224.07
350202	Seal Plate Kit w/Mechanical Seal (Incl. Items #24, 25 and 26)	221.99	266.74
357603	Union Kit (Incl. 2 complete unions for 1 pump - Not included with pump)	123.12	147.94
350199	Seal Plate Kit (Ozone/Salt resistant)	216.81	260.52
352401	Motor Fan Kit	191.35	229.93

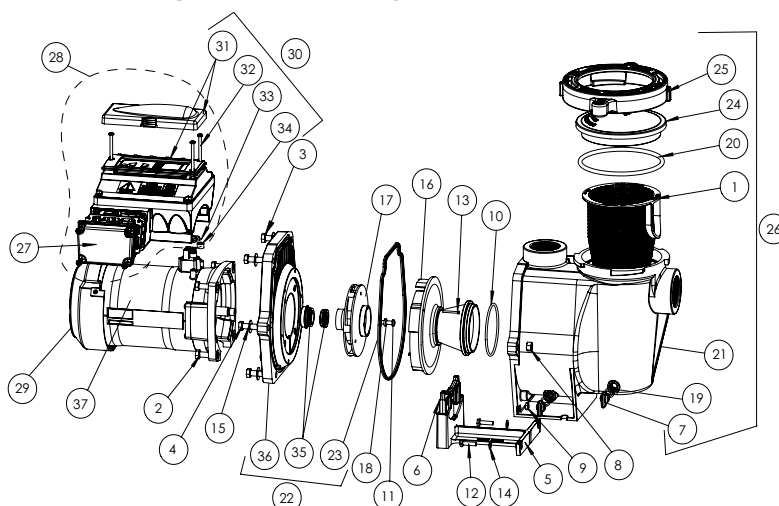
CALIFORNIA PROPOSITION 65 WARNING

⚠ WARNING: Cancer and Reproductive Harm.
⚠ AVERTISSEMENT: Peut Causer le Cancer et des Dommages au Système Reproducteur.
⚠ ADVERTENCIA: Cáncer y Daño Reproductivo.
www.p65warnings.ca.gov

INTELLIFLO® VARIABLE SPEED PUMP- BEFORE 2019 INTELLIFLO VS+SVRS PUMP - BEFORE JUNE 2016

REPLACEMENT PARTS

CALIFORNIA PROPOSITION 65 WARNING
 ⚠ **WARNING:** Cancer and Reproductive Harm.
 ⚠ **AVERTISSEMENT:** Peut Causer le Cancer et des Dommages au Système Reproducteur.
 ⚠ **ADVERTENCIA:** Cáncer y Daño Reproductivo.
www.p65warnings.ca.gov PH201714



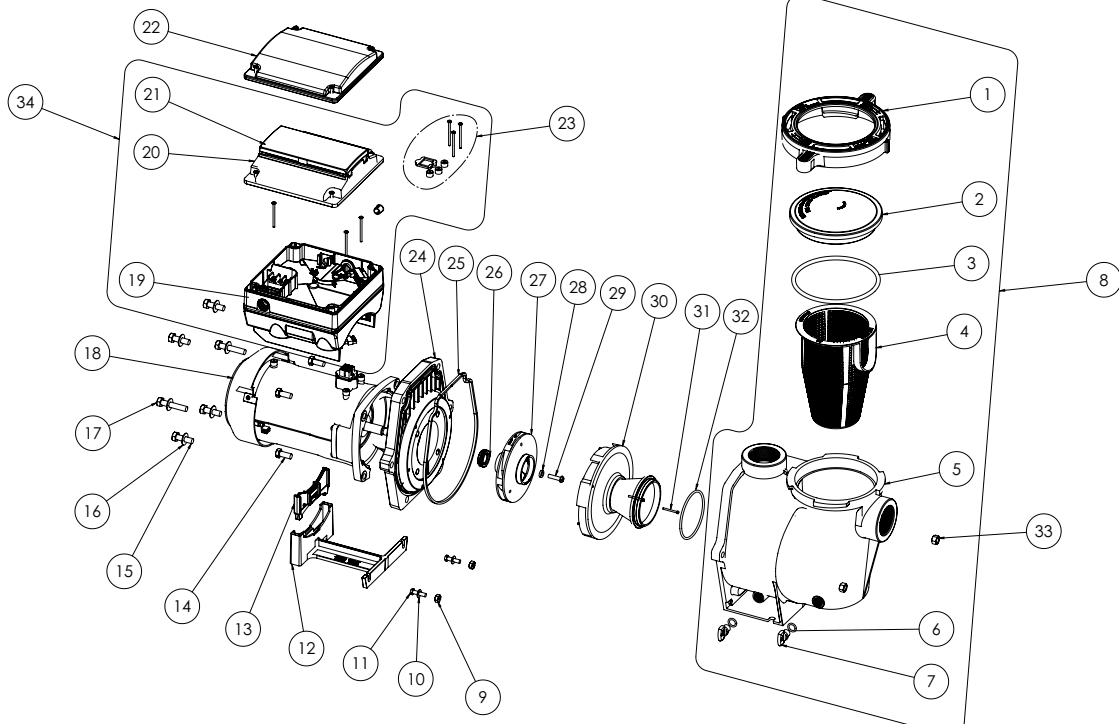
Item	Part No.	Description	US List	Can. List
INTELLIFLO VARIABLE SPEED & INTELLIFLO VS+SVRS				
1	070387Z	Basket WF	CALL	CALL
2	070429ZZ	Bolt hex HD, 2-56 x .875 S/S, 4 req.	CALL	CALL
3	070430	Bolt, 3/8-16 x 1-1/4 hex cap 18-8 S/S, 4 req.	2.76	3.32
4	070431	Bolt, 3/8-16 x 2 hex cap 18-8 S/S, 2 req.	3.03	3.64
5	070927	Foot WF, pump motor support, almond	42.27	50.79
6	070929	Foot insert WF pump, almond	21.21	25.49
7	071131Z	Plug drain WFE, almond, 2 req.	CALL	CALL
8	071403	Nut, 3/8-16 brass nickel plated, 2 req.	1.69	2.03
9	071406	Nut, 1/4-20 hex S/S, 2 req.	1.69	2.03
10	355227Z	O-ring #238, 3.484 x .139, buna N 70	CALL	CALL
11	071652Z	Screw, 1/4, 20 x 1 LH phillips pan MS 18-8 S/S, 1 req.	CALL	CALL
12	071657Z	Screw, 1/4-20 x 1 in. hex cap 18-8 S/S, 2 req.	CALL	CALL
13	071660Z	Screw set, 4-40 x 1-1/8 WFE sckt cap 18-8 S/S, 2 req.	CALL	CALL
14	072183	Washer, flat 1/4 x 5/8 20GA thick 18-8 S/S, 2 req.	1.69	2.03
15	072184	Washer, 3/8 ID x 7/8 OD .05 thick 18-8 S/S, 6 req.	1.69	2.03
16	072928	Diffuser assembly, black	100.17	120.36
17	073131	Impeller, IntelliFlo	110.03	132.21
18	075713	Rubber washer, WFE pump, 1 req.	1.69	2.03
19	192115Z	O-ring 112, .487 x .103 buna -N 70, 2 req.	CALL	CALL
20	350013Z	O-ring lid CH/WF 2-436, 1 req.	CALL	CALL
21	350015	Housing WFE, almond	251.61	302.33
22	350202	Seal plate kit, almond w/ gasket (Items 23, 35, 36)	221.99	266.74
23	357100Z	Black Gasket for Seal plate	CALL	CALL
23	357102Z	Almond Gasket for Seal plate	CALL	CALL
24	357151	Lid, see thru WF.	39.57	47.55
24	357156	Lid, Chemical Resistant	74.65	89.70
25	357199	Clamp cam & ramp WF, almond	52.56	63.16
26	357243	Pot WF assy., almond (contains 1, 7 (qty. 2), 19 (qty. 2), 20, 21, 24, 25	526.49	632.63

27	350621	Junction Box Cover - Almond	22.38	26.89
28	356879Z	IntelliFlo Variable Speed Drive Kit - Contains Drive and Control Cover Assy. (VS only)	1574.99	1892.51
28	351021	IntelliFlo VS+SVRS Drive Kit ¹ - Contains Drive and Control Cover Assy. (SVRS drive)	CALL	CALL
29	352401	Motor fan kit, almond (contains fan, shroud, hardware).	191.35	229.93
30	350601	Drive Control Cover assembly kit ² , almond (contains drive lid, screws, spacer caps, items 31, 32 (qty. 3), 33, 34 (qty. 3))	238.72	286.85
30	400100	Drive Control Cover assembly kit ³ , almond (contains drive lid, screws, spacer caps, items 31, 32, (qty.3), 33, 34 (qty. 3))	238.72	286.85
31	350082	Control cover assembly (not sold individually - order assy. kit item #30)	CALL	CALL
32	350107	Screw 10-24 x 3 3/4 in. PH MS 18-8 s/s (qty. 3)	4.62	5.55
33	350108	IntelliFlo drive gasket	9.59	11.52
34	350142	Spacer cap (qty. 3)	33.51	40.27
35	071734S	Seal Kit	33.41	40.15
36	074564Z	Seal Plate - Almond	CALL	CALL
37	350105S	Motor VFD 3.2KW PMSM replacement, almond	CALL	CALL
NOT SHOWN				
	070118	Power end IntelliFlo Variable Speed (Contains items 2, 10, 11, 13, 15, 16, 17, 18, 19, 22, 28)	CALL	CALL
	350122	50 ft. Communication Cable	186.48	224.07
	357149	Almond Volute/Seal plate Replacement Kit (Items 1, 7 (Qty 2), 19 (Qty 2), 20, 21, 22, 23, 24, 25)	331.07	397.81
	350612	Hardware/gasket assy. kit (contains 3 screws, 3 spacer caps and drive gasket)	119.16	143.18
	357603	Union Kit (contains 2 complete unions for one pump, not included with pump).	123.12	147.94
	350199	Seal Plate Kit (ozone/salt resistant)	216.81	260.52

¹ Contact factory for IntelliFlo VS+SVRS2
² Used on pumps manufactured before 12/23/13
³ Used on pumps manufactured after 12/23/13 to present

INTELLIFLO® i1 + i2 VARIABLE SPEED PUMP - AFTER APRIL 2016

REPLACEMENT PARTS



Item	Part No.	Description	US List	Can. List
INTELLIFLOXFP PUMP				
1	357199	Clamp, Cam and Ramp	52.56	63.16
2	357151	See-through Lid	39.57	47.55
3	350013Z	Lid O-Ring	CALL	CALL
4	070387Z	Strainer Basket	CALL	CALL
5	350015	Volute WF	251.61	302.33
6	192115Z	O-Ring 112 for Drain Plug (Qty 2)	CALL	CALL
7	071131Z	Drain Plug WF (Qty 2)	CALL	CALL
8	357243	Volute Kit (Contains items #1-7)	526.49	632.63
9	071406	Nut 1/4-20 Hex SS (Qty 2)	1.69	2.03
10	072183	Washer, Flat 1/4" ID x 5/8" OD (Qty 2)	1.69	2.03
11	071657Z	Screw 1/4-20 x 1" Hex Cap SS (Qty 2)	CALL	CALL
12	070927	Foot WF	42.27	50.79
13	070929	Foot Insert WFE Pump Motor Support	21.21	25.49
14	070429ZZ	Bolt, Hex Head 3/8-16 x 1.25" (Qty 4)	CALL	CALL
15	072184	Washer, Flat 3/8" ID x 7/8 OD (Qty 6)	1.69	2.03
16	070430	Bolt, Hex Head 3/8-16 x 1.25" (Qty 4)	2.76	3.32
17	070431	Bolt, Hex Head 3/8-16 x 2" (Qty 2)	3.03	3.64
18	350305S	Motor, 3.2 kW 10 Pole	CALL	CALL
19	356878Z	Drive, Variable Speed	CALL	CALL
20	357527Z	Keypad Assembly Kit (Contains item #21)	376.45	452.34
21	400100	Keypad Cover	238.72	286.85
22	356904Z	Keypad Relocation Kit (Contains Keypad Relocation cable and Blank Drive Cover)	81.82	98.31

Item	Part No.	Description	US List	Can. List
23	355685	Drive Hardware Kit (Contains Drive Screws, Drive Gasket and Screw Caps)	119.16	143.18
24	074564Z	Seal Plate	CALL	CALL
25	357100Z	Seal Plate Gasket	CALL	CALL
26	071734S	Mechanical Seal	33.41	40.15
27	073128	Impeller, i1 Pump	110.03	132.21
27	073131A	Impeller, i2 Pump	105.85	127.19
28	075713	Rubber Washer, Impeller Set Screw	1.69	2.03
29	071652Z	Impeller Set Screw 1/4-20 LH Thread	CALL	CALL
30	072930	Diffuser, i1 Pump	83.81	100.71
30	072927Z	Diffuser, i2 Pump	CALL	CALL
31	071660Z	Diffuser Set Screw 4-40 x 1-1/8 (Qty 2)	CALL	CALL
32	355227Z	Diffuser O-Ring	CALL	CALL
33	071403	Nut 3/8" Brass, Nickel Plated (Qty 2)	1.69	2.03
34	356879Z	Drive Kit (Incl. Items #19-23)	1574.99	1892.51
NOT SHOWN				
	350122	50 Ft. Communication Cable	186.48	224.07
	350202	Seal Plate Kit w/Mechanical Seal (Incl. Items #24, 25 and 26)	221.99	266.74
	357603	Union Kit (Incl. 2 complete unions for 1 pump - Not included with pump)	123.12	147.94
	350199	Seal Plate Kit (Ozone/Salt resistant)	216.81	260.52
	352401	Motor Fan Kit	191.35	229.93

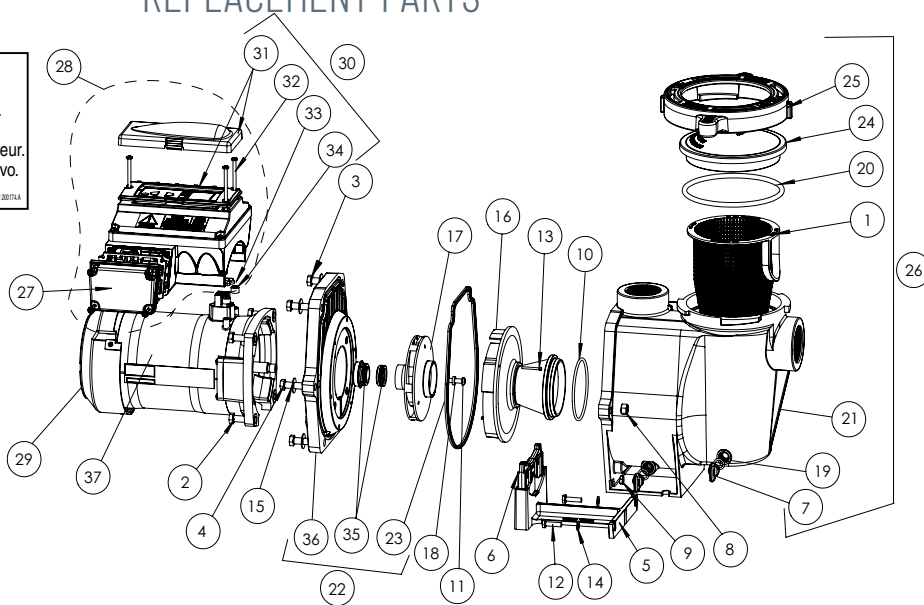
CALIFORNIA PROPOSITION 65 WARNING

⚠ **WARNING:** Cancer and Reproductive Harm.
 ⚠ **AVERTISSEMENT:** Peut Causer le Cancer et des Dommages au Système Reproducteur.
 ⚠ **ADVERTENCIA:** Cáncer y Daño Reproductivo.

www.p65warnings.ca.gov. PN2021A

INTELLIFLO® i1 VARIABLE SPEED PUMP - BEFORE APRIL 2016 REPLACEMENT PARTS

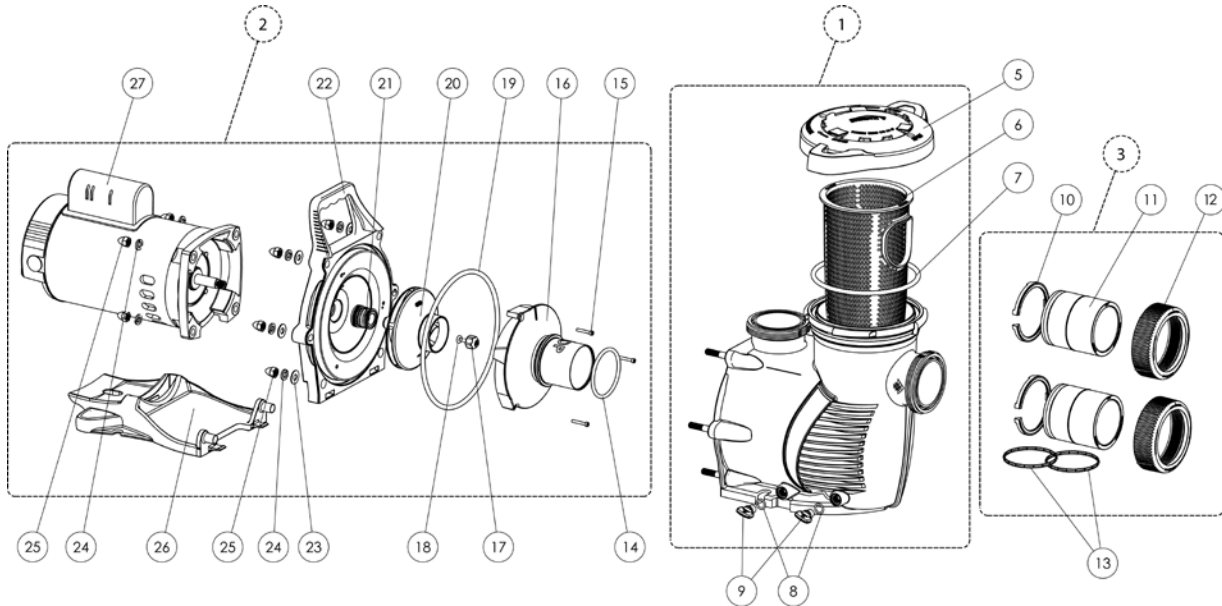
CALIFORNIA PROPOSITION 65 WARNING
 ⚠️ **WARNING:** Cancer and Reproductive Harm.
 ⚠️ **AVERTISSEMENT:** Peut Causer le Cancer et des Dommages au Système Reproducteur.
 ⚠️ **ADVERTENCIA:** Cáncer y Daño Reproductivo.
 www.p65warnings.ca.gov.



Item	Part No.	Description	US List	Can. List	Item	Part No.	Description	US List	Can. List
INTELLIFLO i1 VARIABLE SPEED PUMP									
1	070387Z	Basket WF	CALL	CALL	26	357243	Pot WF Assy., almond (contains 1, 7 (qty. 2), 19 (qty. 2), 20, 21, 24, 25)	526.49	632.63
2	070429ZZ	Bolt hex HD, 2-56 x .875 S/S, 4 req.	CALL	CALL	27	350621	Junction Box Cover - Almond	22.38	26.89
3	070430	Bolt, 3/8-16 x 1-1/4 hex cap 18-8 S/S, 4 req.	2.76	3.32	28	356879Z	IntelliFlo Variable Speed Drive Kit - Contains Drive and Control Cover Assy.	1574.99	1892.51
4	070431	Bolt, 3/8-16 x 2 hex cap 18-8 S/S, 2 req.	3.03	3.64	29	352401	Motor fan kit, almond (contains fan, shroud, hardware).	191.35	229.93
5	070927	Foot WF, pump motor support, almond	42.27	50.79	30	350601	Drive Control Cover assembly kit, almond (contains drive lid, screws, spacer caps, items 31, 32 (qty. 3), 33, 34 (qty. 3))	238.72	286.85
6	070929	Foot insert WF pump, almond	21.21	25.49	31	350082	Control cover assembly (Not sold individually - order Assy kit item 30)	CALL	CALL
7	071131Z	Plug drain WFE, almond, 2 req.	CALL	CALL	32	350107	Screw 10-24 x 3/4 in. PH MS 18-8 s/s (qty. 3)	4.62	5.55
8	071403	Nut, 3/8-16 brass nickel plated, 2 req.	1.69	2.03	33	350108	IntelliFlo drive gasket	9.59	11.52
9	071406	Nut, 1/4-20 hex S/S, 2 req.	1.69	2.03	34	350142	Spacer cap (qty. 3)	33.51	40.27
10	355227Z	O-ring #238, 3.484 x .139, buna N 70	CALL	CALL	35	071734S	Seal Kit	33.41	40.15
11	071652Z	Screw, 1/4, 20 x 1 LH phillips pan MS 18-8 S/S, 1 req.	CALL	CALL	36	074564Z	Seal Plate - Almond	CALL	CALL
12	071657Z	Screw, 1/4-20 x 1 in. hex cap 18-8 S/S, 2 req.	CALL	CALL	37	350105S	Motor VFD 3.2KW PMSM replacement, almond	CALL	CALL
13	071660Z	Screw set, 4-40 x 1-1/8 WFE sckt cap 18-8 S/S, 2 req.	CALL	CALL	NOT SHOWN				
14	072183	Washer, flat 1/4 x 5/8 20GA thick 18-8 S/S, 2 req.	1.69	2.03			Power end IntelliFlo Variable Speed (Contains items 2 (qty. 4), 10, 11, 13, 15, 16, 17, 18, 19, 22, 28, 37)	CALL	CALL
15	072184	Washer, 3/8 ID x 7/8 OD .05 thick 18-8 S/S, 6 req.	1.69	2.03			50 ft. Communication Cable	186.48	224.07
16	072930	Diffuser assembly	83.81	100.71			Almond Volute/Seal plate Replacement Kit (Items 1, 7 (Qty 2), 19 (Qty 2), 20, 21, 22, 23, 24, 25)	331.07	397.81
17	073128	Impeller, 1 HP	110.03	132.21			Hardware/gasket Assy. kit (contains 3 screws, 3 spacer caps and drive gasket)	119.16	143.18
18	075713	Rubber washer, WFE pump, 1 req.	1.69	2.03			Union Kit (contains 2 complete unions for one pump, not included with pump).	123.12	147.94
19	192115Z	O-ring 112, .487 x .103 buna -N 70, 2 req.	CALL	CALL			Seal plate kit without gasket (Items 35 and 36)	CALL	CALL
20	350013Z	O-ring lid CH/WF 2-436, 1 req.	CALL	CALL			Seal Plate Kit (ozone/salt resistant)	216.81	260.52
21	350015	Housing WFE, almond	251.61	302.33					
22	350202	Seal plate kit, almond w/ gasket (Items 23, 35, 36)	221.99	266.74					
23	357100Z	Black Gasket for Seal plate	CALL	CALL					
24	357151	Lid, see thru WF.	39.57	47.55					
24	357156	Lid, Chemical Resistant	74.65	89.70					
25	357199	Clamp cam & ramp WF, almond	52.56	63.16					

WHISPERFLOXF® PUMP

REPLACEMENT PARTS



Item	Part No.	Description	US List	Can. List
WHISPERFLO XF PUMP				
1	400000	Wet End Assembly	346.35	416.17
2	See chart on next page	Power End Assembly		
3	410020	Union Kit Without Tap	157.79	189.60
5	400006	Lid/Locking Ring Assembly	60.94	73.23
6	400007Z	XF Series Replacement Basket	38.11	45.79
7	35505-1440	Lid/Locking Ring O-Ring	20.44	24.56
8	192115Z	Drain Plug O-Ring	CALL	CALL
9	071131Z	Drain Plug	CALL	CALL
10	410001	2.5 in. C-Clip Locking Ring	7.72	9.28
11	410002	2.5 in. Union Adapter without Tap	36.56	43.93
12	411000	2.5 in. Union Nut	21.20	25.47
13	410016Z	2.5 in. Seal Kit - (Includes two)	13.05	15.68
14	350336	Diffuser O-Ring	3.60	4.33
15	353323	Diffuser Screw	3.60	4.33
16	See chart on next page	Diffuser		
17	37337-6080	Impeller Reverse Screw	21.22	25.50
18	33455-1047	Impeller Reverse Screw O-Ring	CALL	CALL
19	351446	Seal Plate O-Ring	6.57	7.89

Item	Part No.	Description	US List	Can. List
20	See chart on next page	Impeller Assembly		
21	17351-0101S	Mechanical Seal Assembly	28.74	34.53
22	400002	Seal Plate	228.90	275.05
23	072184	Flat Washer	1.69	2.03
24	U43-12SS	Split Lock Washer	2.92	3.51
25	071413	Acorn Nut	1.34	1.61
26	400004Z	Motor Base	42.27	50.79
27	See chart on next page	Motors		
NOT SHOWN				
	400030Z	Hardware and Orings Kit	69.27	83.23
	400031Z	Seal Plate Kit w/ Mechanical Seal	221.68	266.37
	400012	Riser Plate XF to Challenger	73.13	87.87
	400013Z	Motor End Cap and Screw	28.65	34.43
	357923Z	Fan Guard Kit TEFC/Super-Duty	CALL	CALL

CALIFORNIA PROPOSITION 65 WARNING

⚠ **WARNING:** Cancer and Reproductive Harm.
 ⚠ **AVERTISSEMENT:** Peut Causer le Cancer et des Dommages au Système Reproducteur.
 ⚠ **ADVERTENCIA:** Cáncer y Daño Reproductivo.
www.p65warnings.ca.gov

WHISPERFLOXF® PUMP (CONT'D)

REPLACEMENT PARTS

Item	Part No.	Description	US List	Can. List	Item	Part No.	Description	US List	Can. List
IMPELLERS					DIFFUSERS				
20	400020Z	XFET-8	128.74	154.69	16	400010	XFET-8	100.17	120.36
20	400015	XFET-12	139.51	167.64	16	400010	XFET-12	100.17	120.36
20	400023Z	XFET-20	150.22	180.50	16	400011Z	XFET-20	108.12	129.92
20	400020Z	XF-8	128.74	154.69	16	400010	XF-8	100.17	120.36
20	400015	XF-12	139.51	167.64	16	400010	XF-12	100.17	120.36
20	400020Z	XFE-8	128.74	154.69	16	400010	XFE-8	100.17	120.36
20	400015	XFE-12	139.51	167.64	16	400010	XFE-12	100.17	120.36
20	400023Z	XFE-20	150.22	180.50	16	400011Z	XFE-20	108.12	129.92
20	400020Z	XFDS-8	CALL	CALL	16	400010	XFDS-8	100.17	120.36
20	400015	XFDS-12	139.51	167.64	16	400010	XFDS-12	100.17	120.36
20	400020Z	XFDS-30	CALL	CALL	16	400010	XFDS-30	100.17	120.36
20	400020Z	XF-30	128.74	154.69	16	400010	XF-30	100.17	120.36
20	400020Z	XFE-30	128.74	154.69	16	400010	XFE-30	100.17	120.36
20	400020Z	XFJ-8	128.74	154.69	16	400010	XFJ-8	100.17	120.36
20	400015	XFJ-12	139.51	167.64	16	400010	XFJ-12	100.17	120.36
20	400023Z	XFJ-20	150.22	180.50	16	400011Z	XFJ-20	108.12	129.92
20	400020Z	XFK-8	128.74	154.69	16	400010	XFK-8	100.17	120.36
20	400015	XFK-12	139.51	167.64	16	400010	XFK-12	100.17	120.36
20	400023Z	XFK-20	150.22	180.50	16	400011Z	XFK-20	108.12	129.92
MOTORS					POWER ENDS				
27	354815S	2hp 1-Phase TEFC 208-230V	CALL	CALL	2	400632Z	2hp 1-Phase TEFC 208-230V	1375.29	1652.55
27	354817S	3hp 1-Phase TEFC 208-230V	CALL	CALL	2	400633Z	3hp 1-Phase TEFC 208-230V	1650.66	1983.43
27	354819S	5hp 1-Phase TEFC 208-230V	CALL	CALL	2	400634Z	5hp 1-Phase TEFC 208-230V	1782.17	2141.46
27	355026S	2hp Standard E 230V	CALL	CALL	2	400612Z	2hp Standard E 230V	1265.20	1520.26
27	355033S	3hp Standard E 230V	CALL	CALL	2	400613Z	3hp Standard E 230V	1353.47	1626.33
27	355014S	2hp High Eff 208-230V	CALL	CALL	2	400609Z	2hp High Eff 208-230V	1285.33	1544.45
27	355016S	3hp High Eff 208-230V	CALL	CALL	2	400610Z	3hp High Eff 208-230V	1542.67	1853.67
27	353317S	5hp High Eff 208-230V	CALL	CALL	2	400611Z	5hp High Eff 208-230V	1665.58	2001.36
27	359526S	2hp 2 Speed 230V	CALL	CALL	2	400607Z	2hp 2 Speed 230V	1418.68	1704.69
27	353316S	3hp 2 Speed 230V	CALL	CALL	2	400608Z	3hp 2 Speed 230V	1557.89	1871.96
27	359526S	2.5hp Uprated 2 Speed 230V	CALL	CALL	2	400607Z	2.5hp Uprated 2 Speed 230V	1418.68	1704.69
27	355026S	2.5hp Uprated Standard E 230V	CALL	CALL	2	400612Z	2.5hp Uprated Standard E 230V	1265.20	1520.26
27	355014S	2.5hp Uprated High E 208-230V	CALL	CALL	2	400609Z	2.5hp Uprated High E 208-230V	1285.33	1544.45
27	354809S	2hp 3 Phase 208-230-460V	CALL	CALL	2	400617Z	2hp 3 Phase 208-230-460V	1323.09	1589.82
27	354811S	3hp 3 Phase 208-230-460V	CALL	CALL	2	400618Z	3hp 3 Phase 208-230-460V	1411.11	1695.59
27	354813S	5hp 3 Phase 208-230-460V	CALL	CALL	2	400619Z	5hp 3 Phase 208-230-460V	1628.81	1957.18

Note: Pumps and replacement motors that are single speed and one (1) Total HP or greater cannot be sold, offered for sale, or installed in a residential pool for filtration use in California, Title 20 CCR sections 1601-1609.

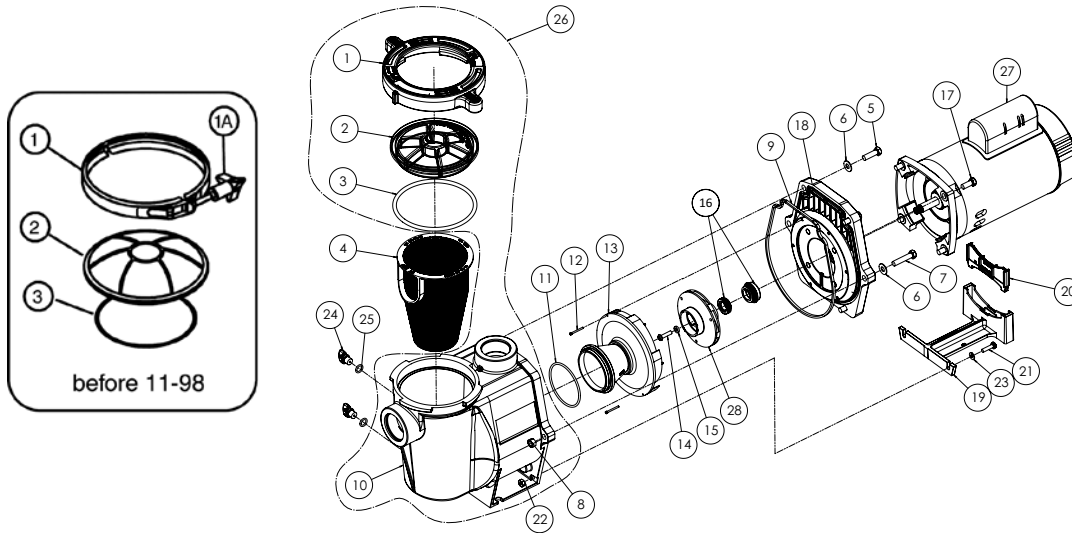
CALIFORNIA PROPOSITION 65 WARNING

▲ **WARNING:** Cancer and Reproductive Harm.
▲ **AVERTISSEMENT:** Peut Causer le Cancer et des Dommages au Système Reproducteur.
▲ **ADVERTENCIA:** Cáncer y Daño Reproductivo.

www.p65warnings.ca.gov
PN20174

WHISPERFLO® PUMP

REPLACEMENT PARTS



Item	Part No.	Description	US List	Can. List
WHISPERFLO PUMPS				
1	070711	Clamp band assembly, SS, WF/AQ ⁵ (old style)	97.34	116.96
1	357150	Clamp, Cam & Ramp™, plastic, black, WF ⁷	52.56	63.16
1	357199	Clamp, Cam & Ramp, plastic, almond, WF ⁸	52.56	63.16
1A	071136Z	Knob, only ⁵	25.41	30.53
2	070795	Cover, clear, AQ/WFE pump ⁵ (old style)	55.04	66.14
2	357151	Cover, clear, WFE pump ⁶	39.57	47.55
2	357156	Cover, chemical resistant Cam & Ramp	74.65	89.70
3	071422	O-ring, AQ/WFE cover ⁵	7.63	9.17
3	350013Z	O-ring, WFE cover ⁶	CALL	CALL
4	070387Z	Basket	CALL	CALL
5	070430	Bolt, 3/8, 16 x 1-1/4 hex hd. SS, 4 req.	2.76	3.32
6	072184	Washer, 3/8 x 13/16 o.d. SS, 6 req.	1.69	2.03
7	070431	Bolt, 3/8, 16 x 1-3/4 hex hd. SS, 2 req.	3.03	3.64
8	071403	Nut, 3/8, 16 hex hd., 2 req.	1.69	2.03
9	071445	O-ring parker No.2-265, WFE pump ^{1,4}	19.01	22.84
9	357100Z	Black Gasket for Seal Plate ¹⁴	CALL	CALL
9	357102Z	Almond Gasket for Seal Plate ¹⁵	CALL	CALL
10	357149	Volute & Sealplate, Almond Replacement Kit ⁶	331.07	397.81
10	350015	Volute, almond	251.61	302.33
10	357157	Volute, black	251.61	302.33
11	355227Z	O-ring parker No.2-238, WFE pump	CALL	CALL
12	071660Z	Set screw, 4-40 x 1-1/8 WFE, 2 req.	CALL	CALL
13	072928	Diffuser assembly, WFE-12, 3 HP; WFK-12, 3HP models	100.17	120.36
13	072927Z	Diffuser assembly, WFE-2-8, 1/2 HP - 2-1/2 HP	CALL	CALL
14	071652Z	Set screw, 1/4, 20 x 1 lh. phillips	CALL	CALL

Item	Part No.	Description	US List	Can. List
15	075713	Rubber washer, WFE pump	1.69	2.03
16	071734S	Seal PA-7 w/ ceramic seat, PS1000	33.41	40.15
17	070429ZZ	Bolt, 3/8, 16 x 7/8 SS hex hd., 4 req.	CALL	CALL
18	350202	Seal Plate Kit, Almond with Gasket (Includes Mechanical Seal Installed and Seal Plate Gasket) Items 9, 16 & 18	221.99	266.74
18	350101	Seal Plate Kit WFE Black (Includes Mechanical Seal installed) Items 16 & 18	CALL	CALL
19	070927	Foot, WFE-4 pump, almond	42.27	50.79
19	357159	Foot, black ⁹	42.27	50.79
20	070929	Foot insert, WFE pump, almond	21.21	25.49
20	357160	Foot insert, WFE pump, black ⁹	21.21	25.49
21	071657Z	Screw, 1/4, 20 x 1 in. hh. SS, 2 req.	CALL	CALL
22	071406	Nut, 1/4, 20 hex. hd. SS, 2 req.	1.69	2.03
23	072183	Washer, flat 1/4 x 5/8, 2 req.	1.69	2.03
24	071131Z	Knob plug drain, 2 req., almond	CALL	CALL
24	357161Z	Knob plug drain, 2 req., black ⁹	CALL	CALL
25	192115Z	O-Ring drain plug, 2 req.	CALL	CALL
26	357149	Almond Volute/Seal plate kit ⁶ (Includes items 1-4, 9, 10, 16, 18, 24, 25.)	331.07	397.81

MOTORS				
27	354803S	3/4 HP, 1SP, TEFC	CALL	CALL
27	354821S	1 HP, 1SP, TEFC, WFET- 4	CALL	CALL
27	354823S	1-1/2 HP, 1SP, TEFC, WFET- 6	CALL	CALL
27	354815S	2 HP, 1SP, TEFC, WFET- 8	CALL	CALL
27	354817S	3 HP, 1SP, TEFC, WFET- 12	CALL	CALL
27	355008S	3/4 HP, 1SP, WFE- 2, 3 & 24	CALL	CALL
27	355010S	1 HP, 1SP, WFE- 4 & 26	CALL	CALL
27	355012S	1-1/2 HP, 1SP, WFE- 6 & 28	CALL	CALL
27	355014S	2 HP, 1SP, WFE-8 & 30	CALL	CALL

Note: Pumps and replacement motors that are single speed and one (1) Total HP or greater cannot be sold, offered for sale, or installed in a residential pool for filtration use in California, Title 20 CCR sections 1601-1609.

CALIFORNIA PROPOSITION 65 WARNING

▲ **WARNING:** Cancer and Reproductive Harm.
▲ **AVERTISSEMENT:** Peut Causer le Cancer et des Dommages au Système Reproducteur.
▲ **ADVERTENCIA:** Cáncer y Daño Reproductivo.

www.p65warnings.ca.gov
PH 2017L4

Product on pages 184–185.

WHISPERFLO® PUMP (CONT'D)

REPLACEMENT PARTS

Item	Part No.	Description	US List	Can. List
MOTORS				
27	355016S	3 HP, 1SP, WFE-12,	CALL	CALL
27	350088S	3/4 HP, 2 sp, WFDS-3	CALL	CALL
27	356630S	1 HP, 2 sp., WFDS-4 & 26 ¹¹	CALL	CALL
27	071320S	1-1/2 HP, 2 sp., WFDS-6 & 28 ¹¹	CALL	CALL
27	071321S	2 HP, 2 sp., WFDS-8 & 30 ¹¹	CALL	CALL
27	355018S	1/2 HP, 1SP, WF-2, 23	CALL	CALL
27	355020S	3/4 HP, 1SP, WF-3, 24	CALL	CALL
27	355022S	1 HP, 1SP, WF-4, 26	CALL	CALL
27	355024S	1-1/2 1SP, HP, WF-6, 28	CALL	CALL
27	355026S	2 HP, 1SP, WF-8, 30	CALL	CALL
27	355033S	3 HP, 1SP, WF-12	CALL	CALL
27	355002S	1/2 HP, 3PH, 1SP	CALL	CALL
27	355001S	3/4 HP, 3PH, 1SP	CALL	CALL
27	354805S	1 HP, 3PH, 1SP, WFK-4	CALL	CALL
27	354807S	1.5 HP, 3PH, 1SP, WFK-6	CALL	CALL
27	354809S	2 HP, 3PH, 1SP, WFK-8	CALL	CALL
27	354811S	3 HP, 3PH, 1SP, WFK-12	CALL	CALL
IMPELLERS				
28	073126	Impeller (WF-2, WF-23, WFE-2, WFK-2.)	110.03	132.21
28	073127	Impeller (WFE-3, WFE-24, WF-3, WF-24, WFK-3, WFDS-3, WFDS-24)	110.03	132.21
28	073128	Impeller (WFE-4, WFE-26, WF-4, WF-26, WFK-4, WFDS-4, WFDS-26)	110.03	132.21
28	073129	Impeller (WF-6, WF-28, WFE-6, WFE-28, WFK-6, WFDS-6, WFDS-28)	110.03	132.21
28	073130	Impeller (WF-8, WF-30, WFE-8, WFE-30, WFK-8, WFDS-8, WFDS-30)	110.03	132.21
28	073131	Impeller (WFE-12, WF-12, WFK-12)	110.03	132.21
POWER END SUBASSY. INCLUDES ITEMS No. 12 THRU 18, 27, 28				
	075251	WF-2, WF-23	CALL	CALL
	075145	WFDS-3, WFDS-24	CALL	CALL
	075136	WFE-2	CALL	CALL
	075137	WFE-3, WFE-24 ³	CALL	CALL
	075138	WFE-4, WFE-26 ³	CALL	CALL
	075139	WFE-6, WFE-28 ³	CALL	CALL
	075140	WFE-8, WFE-30 ³	CALL	CALL
	075141	WFE-12 ³	CALL	CALL
	075142	WFDS-4, WFDS-26 ¹¹	CALL	CALL
	075143	WFDS-6, WFDS-28 ¹¹	CALL	CALL
	075144	WFDS-8, WFDS-30 ¹¹	CALL	CALL
POWER END SUBASSY. INCLUDES ITEMS No. 12 THRU 18, 27, 28 , CONT.				
	075252	WF-3, WF-24 ¹⁰	CALL	CALL
	075253	WF-4, WF-26 ¹⁰	CALL	CALL
	075254	WF-6, WF-28 ¹⁰	CALL	CALL
	075255	WF-8, WF-30 ¹⁰	CALL	CALL
	075256	WF-12 ¹⁰	CALL	CALL

Item	Part No.	Description	US List	Can. List
FLUID ENDS-ALL PARTS, W/O MOTOR				
	075452	WFE-3 fluid end, 3/4 HP	CALL	CALL
	075453	WFE-4 fluid end, 1 HP	CALL	CALL
	075454	WFE-6 fluid end, 1-1/2 HP	CALL	CALL
	075455	WFE-8 fluid end, 2 HP	CALL	CALL
	075456	WFE-12 fluid end, 3 HP	CALL	CALL
NOT SHOWN				
	79129900	2-Speed Toggle Switch with Mounting plate	53.80	64.65
	350202	Seal Plate Kit: Seal plate (almond), Gasket (black), with installed Seal (Includes items 9, 16, & 18)	221.99	266.74
	350203	Seal Plate Kit: Seal plate (black), Gasket (black), with installed Seal (Includes items 9, 16, & 18)	221.99	266.74
	357243	Pot Assembly, Almond NPT. (Includes items 1-4, 10, 24 (qty. 2), 25 (qty. 2))	526.49	632.63
	357244	Pot Assembly, Black NPT. (Includes items 1-4, 10, 24 (qty. 2), 25 (qty. 2))	526.49	632.63
	355001S	Motor for Pump 011021	CALL	CALL
	355002S	Motor for Pump 340061	CALL	CALL
	400013Z	Motor End Cap and Screw	28.65	34.43
	357923Z	Fan Guard Kit TEFC/Super-Duty	CALL	CALL
	350199	Seal Plate Kit (ozone/salt resistant)	216.81	260.52

- ¹ Used on pumps manufactured before 6-94.
- ² Used on pumps manufactured after 6-94.
- ³ Energy efficient single phase.
- ⁴ Pumps manufactured before 11-98 require a volute replacement kit (357149) when replacing items No.9-gasket, No.10-volute, or No.18-seal plate. This kit will update the pump to the new configuration using the "Cam and Ramp" lid design.
- ⁵ Used on pumps manufactured before 11-98.
- ⁶ Used on pumps manufactured after 11-98. Includes items 1-4, 9, 10, 16, 18, 24, 25.
- ⁷ Used on pumps manufactured between 11-98 thru 12-17-99.
- ⁸ Used on pumps manufactured after 12-17-99.
- ⁹ CSA/CUL (only) for Canada.
- ¹⁰ Standard efficiency, single phase.
- ¹¹ Two Speed, single phase.
- ¹² Includes items 16 & 18.
- ¹⁴ 2-1-08 to present.
- ¹⁵ 1-31-08 and prior.

Note: Pumps and replacement motors that are single speed and one (1) Total HP or greater cannot be sold, offered for sale, or installed in a residential pool for filtration use in California, Title 20 CCR sections 1601-1609.

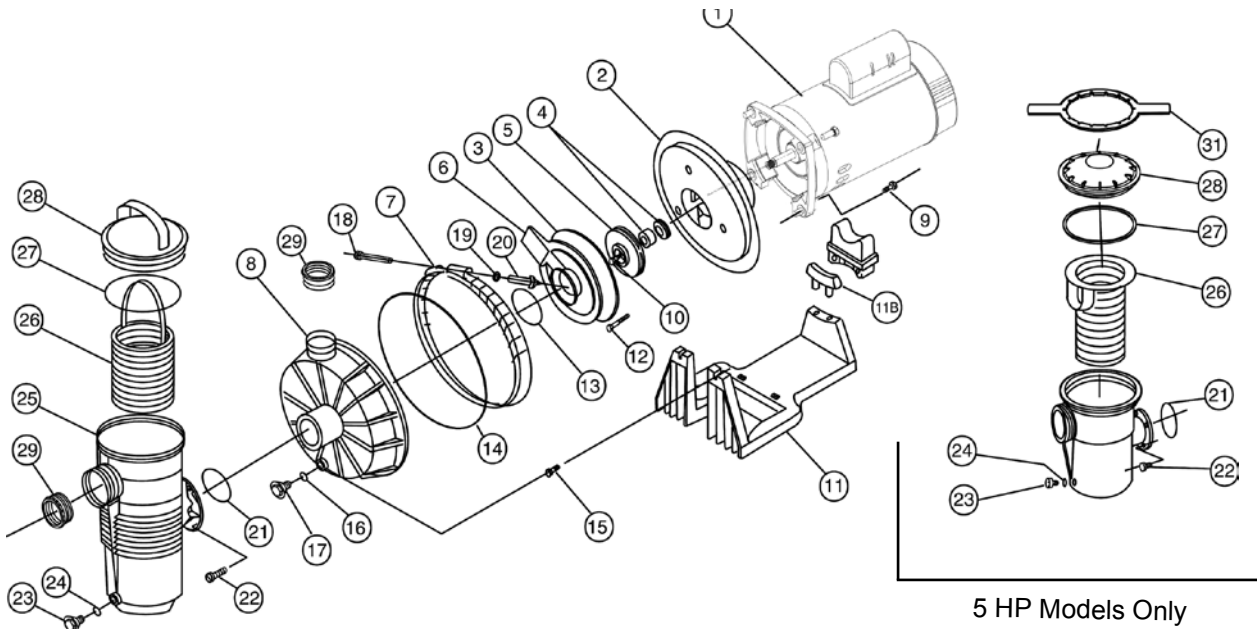
CALIFORNIA PROPOSITION 65 WARNING

▲ **WARNING:** Cancer and Reproductive Harm.
▲ **AVERTISSEMENT:** Peut Causer le Cancer et des Dommages au Système Reproducteur.
▲ **ADVERTENCIA:** Cáncer y Daño Reproductivo.

www.p65warnings.ca.gov. PH2011A

CHALLENGER® HIGH FLOW PUMP

REPLACEMENT PARTS



5 HP Models Only

Item	Part No.	Description	US List	Can. List
CHALLENGER HIGH FLOW PUMP MOTORS				
1	354804S	3/4HP, 1SP,1PH, TEFC, 115/208-230	CALL	CALL
1	354822S	1HP, 1SP,1PH, TEFC, 115/208-230	CALL	CALL
1	354824S	1-1/2HP, 1SP,1PH, TEFC, 208-230	CALL	CALL
1	354816S	2HP, 1SP,1PH, TEFC, 208-230	CALL	CALL
1	355019S	1/2F, 3/4A std. sq. fig., 115/208-230	CALL	CALL
1	355021S	3/4F, 1A std. sq. fig., 115/208-230	CALL	CALL
1	355023S	1F, 1-1/2A std. sq. fig., 115/208-230	CALL	CALL
1	355025S	1-1/2F, 2A std. sq. fig., 115/208-230	CALL	CALL
1	355027S	2F, 2-1/2A std. sq. fig., 208-230	CALL	CALL
1	355034S	3F std. sq. fig. 230 only	CALL	CALL
1	355009S	3/4FE, 1AE sq. fig. 115/208-230	CALL	CALL
1	355011S	1FE, 1-1/2AE sq. fig. 115/208-230	CALL	CALL
1	355013S	1-1/2FE, 2AE sq. fig. 208-230	CALL	CALL
1	355015S	2FE, 2-1/2AE sq. fig. 208-230	CALL	CALL
1	355017S	3FE, 1 ph sq. fig. 208-230	CALL	CALL
1	353319S	5FE, 1 ph, 5 HP, 208-230	CALL	CALL
1	355375S	3/4F, 1A std. sq. fig. 2 sp. 115 only, 28 lbs.	CALL	CALL
1	355232S	3/4F, 1A std. sq. fig. 2 sp. 230 only	CALL	CALL
1	355376S	1F, 1-1/2A std. sq. fig. 2 sp. 230 only	CALL	CALL
1	355377S	1-1/2F, 2A std. sq. fig. 2 sp. 230 only	CALL	CALL

Item	Part No.	Description	US List	Can. List
1	355378S	2F, 2-1/2A std. sq. fig. 2 sp. 230 only	CALL	CALL
2	355004	Plate, seal - black	111.99	134.57
3	355028	Plate, mounting 1/2F, 3/4F, 3/4A, 1A	26.10	31.36
3	355078	Plate, mounting 1F, 1-1/2F, 1-1/2A, 2A	16.43	19.74
3	355095	Plate, mounting 2F, 2-1/2A	28.36	34.08
3	355495	Plate, mounting 5F	15.17	18.23
4	354545S	Seal, 5/8 in. mechanical	31.55	37.91
5	355043	Impeller, 1/2F, 3/4A	59.99	72.08
5	355067	Impeller, 3/4F, 1A	61.18	73.51
5	355074	Impeller, 1F, 1-1/2A	61.90	74.38
5	355086	Impeller, 1-1/2F, 2A	62.34	74.91
5	355093	Impeller, 2F, 2-1/2A	63.47	76.27
5	355068	Impeller, 3F 50 Hz/5F 60 Hz	61.18	73.51
6	355029	Diffuser, 1/2F, 3/4F, 3/4A, 1A	44.57	53.56
6	355077	Diffuser, 1F, 1-1/2F, 1-1/2A, 2A	44.57	53.56
6	355094	Diffuser, 2F, 2-1/2A	47.77	57.40
6	355069	Diffuser, 3F, 50 Hz/5F 60 Hz	41.21	49.52
7	354629	Band clamp assembly, complete	87.66	105.33

Note: Pumps and replacement motors that are single speed and one (1) Total HP or greater cannot be sold, offered for sale, or installed in a residential pool for filtration use in California, Title 20 CCR sections 1601-1609.

CALIFORNIA PROPOSITION 65 WARNING

⚠ **WARNING:** Cancer and Reproductive Harm.
 ⚠ **AVERTISSEMENT:** Peut Causer le Cancer et des Dommages au Système Reproducteur.
 ⚠ **ADVERTENCIA:** Cáncer y Daño Reproductivo.
www.p65warnings.ca.gov

Product on pages 186–187.
 Replacement baskets on page 148.

CHALLENGER® HIGH FLOW PUMP (CONT'D)

REPLACEMENT PARTS

Item	Part No.	Description	US List	Can. List
CHALLENGER HIGH FLOW PUMPS				
8	355468	Housing, front, black ⁴	163.47	196.43
8	355469	Housing, front, almond ⁴	163.47	196.43
9	070429Z	Bolt 3/8-16 x 7/8 SS hex hd cap 18-8. 4 req.	CALL	CALL
10	355389	Screw, impeller locking	1.69	2.03
11	355305	Base, pump ¹	54.52	65.51
11B	355385	Adapter, 5-5/8 in. dia. motor ²	13.92	16.73
12	355334Z	Screw, No.8, 32 hex wsh. hd., 3 req.	CALL	CALL
13	355030Z	O-ring, diffuser (all except 5 HP)	CALL	CALL
13	355331Z	O-ring diffuser, 5 HP only	CALL	CALL
14	355329Z	O-ring, front housing	CALL	CALL
15	355335	Screw, 5/16, 18 x 1/2 in. SS hex hd., 2 req.	1.69	2.03
16	192115Z	O-ring, drain plug	CALL	CALL
17	357161Z	Plug, 1/4 in. drain	CALL	CALL
18	152060	Bolt, 5/16, 18 x 4 in. carriage ²	11.81	14.19
19	072173	Washer, 5/16 in. SS flat	1.95	2.34
20	174882	Knob (fits clamp w/ removable bolt only)	38.77	46.59
20	175025	Knob (fits clamp w/ captured T-bolt only)	38.77	46.59
21	355330	O-ring, strainer pot flange	1.95	2.34
22	354265	Screw, 5/16, 18 hex wsh. hd., 4 req.	2.36	2.84
23	357161Z	Plug, 1/4 in. drain	CALL	CALL
24	192115Z	O-ring, drain plug	CALL	CALL
25	355300	Strainer, pot, black ³	161.16	193.65
26	355318Z	Basket, plastic strainer	CALL	CALL
26	355441	Basket, SS Strainer (3F Only)	208.34	250.34
26	355901	Basket, SS strainer, 5F	451.63	542.68
27	350013Z	O-ring, lid	CALL	CALL
27	152509Z	Square ring, 8-1/2 in. (5 HP only)	CALL	CALL
28	355301	Lid, strainer pot	70.95	85.25
28	354112	Lid, strainer pot, chemical resistant	70.95	85.25
28	355902	Lid, strainer pot, 5F, clear	82.31	98.90
28	355914	Lid, strainer pot, 5F, black, chemical resistant	69.23	83.19
29	552377	Bushing, reducer 1/2F, 3/4F, 3/4A, 1A, 2 req.	15.77	18.95
31	154527	Wrench, 8-1/2 in.	32.30	38.81

Item	Part No.	Description	US List	Can. List
POWER END ASSEMBLIES (INCLUDES ITEMS 1-6, 9, 12 AND 13)				
	355637	CF-N1-3/4F, 1A std., 115/208-230	CALL	CALL
	355638	CF-N1-1F, 1-1/2A std., 115/208-230	CALL	CALL
	355520	CF-N1-1-1/2F, 2A std., 115/208-230	CALL	CALL
	355984	CF-N1-3/4FE, 1AE 115/208-230	CALL	CALL
	355639	CF-N1-1-1/2FE, 2AE 208-230	CALL	CALL
	355986	CF-N1-2FE, 2-1/2AE 208-230	CALL	CALL
	355640	CF-N2-3/4F, 1A 2 sp. std., 115 only	CALL	CALL
	355641	CF-N2-1F, 1-1/2A 2 sp. std., 230 only	CALL	CALL
	355642	CF-N2-1-1/2F, 2A 2 sp. std., 230 only	CALL	CALL
	355987	CF-N2-2F, 2-1/2A 2 sp. std., 230 only	CALL	CALL
	345211	CFII-N1-5FE, power end	CALL	CALL
NOT SHOWN				
	355309	Union kit	120.80	145.15
	357391	Pot Assembly, Black with SS basket (3F Only) Includes items 23-28	759.97	913.18
	359507	Pot Assembly, Black with plastic bracket (all models except 3F and 5F) Includes items 23-28.	284.45	341.80
	401014Z	Motor End Cap and Screw	28.65	34.43
	357924Z	Fan Guard Kit TEFC/Super-Duty	CALL	CALL

¹ Pump base (item 11) includes dual radius motor support adapter (item 11B) which fits both 5-5/8 in. & 6-1/2 in. dia. motors.

² Item 18, carriage bolt is a replacement part for old style clamp band assembly (item 7).

³ Includes items 23 & 24.

⁴ Includes items 16 & 17.

Note: Challenger booster pumps consist of 1-20.

Note: Challenger pumps consist of all items except No.15.

Note: When ordering replacement motor, give all information on motor name plate.

Note: Pumps and replacement motors that are single speed and one (1) Total HP or greater cannot be sold, offered for sale, or installed in a residential pool for filtration use in California, Title 20 CCR sections 1601-1609.

CALIFORNIA PROPOSITION 65 WARNING

▲ **WARNING:** Cancer and Reproductive Harm.
▲ **AVERTISSEMENT:** Peut Causer le Cancer et des Dommages au Système Reproducteur.
▲ **ADVERTENCIA:** Cáncer y Daño Reproductivo.

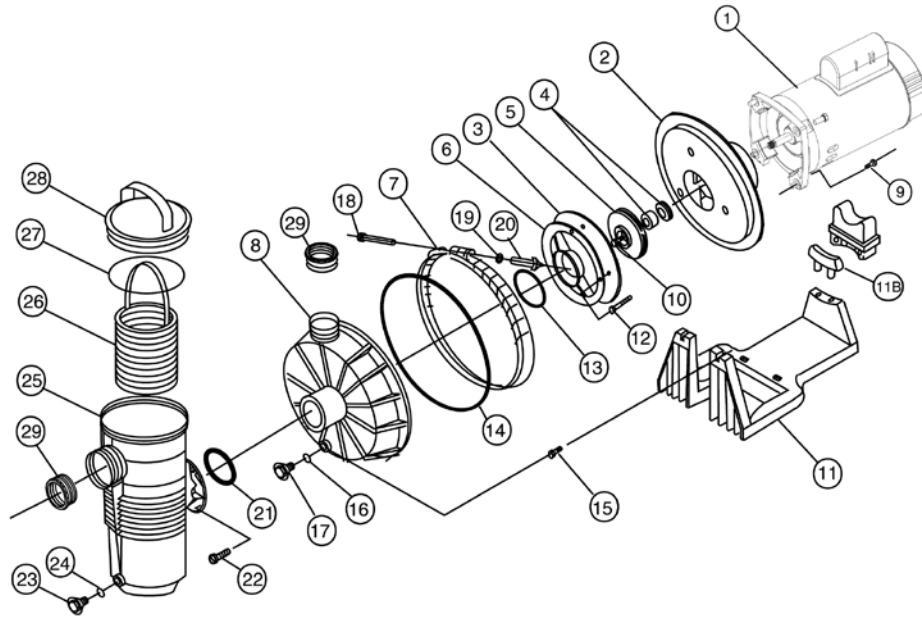
www.p65warnings.ca.gov. PR020716A

Product on pages 186-187.

Replacement baskets on page 148.

CHALLENGER® HIGH PRESSURE PUMP

REPLACEMENT PARTS



Item	Part No.	Description	US List	Can. List
CHALLENGER HIGH PRESSURE PUMP MOTORS				
1	354804S	3/4HP, 1SP,1PH, TEFC, 115/208-230	CALL	CALL
1	354822S	1HP, 1SP,1PH, TEFC, 115/208-230	CALL	CALL
1	354824S	1-1/2HP, 1SP,1PH, TEFC, 208-230	CALL	CALL
1	354816S	2HP, 1SP,1PH, TEFC, 208-230	CALL	CALL
1	354818S	3HP, 1SP, 1PH, TEFC, 208-230	CALL	CALL
1	355019S	1/2F, 3/4A std. sq. fig., 115/208-230	CALL	CALL
1	355021S	3/4F, 1A std. sq. fig., 115/208-230	CALL	CALL
1	355023S	1F, 1-1/2A std. sq. fig., 115/208-230	CALL	CALL
1	355025S	1-1/2F, 2A std. sq. fig., 115/208-230	CALL	CALL
1	355027S	2F, 2-1/2A std. sq. fig., 208-230	CALL	CALL
1	355034S	3F std. sq. fig. 230 only	CALL	CALL
1	355009S	3/4FE, 1AE sq. fig. 115/208-230	CALL	CALL
1	355011S	1FE, 1-1/2AE sq. fig. 115/208-230	CALL	CALL
1	355013S	1-1/2FE, 2AE sq. fig. 208-230	CALL	CALL
1	355015S	2FE, 2-1/2AE sq. fig. 208-230	CALL	CALL
1	355017S	3FE, 1 ph sq. fig. 208-230	CALL	CALL
1	353319S	5FE, 1 ph, 5 HP, 208-230	CALL	CALL
1	355375S	3/4F, 1A std. sq. fig. 2 sp. 115 only, 28 lbs.	CALL	CALL
1	355232S	3/4F, 1A std. sq. fig. 2 sp. 230 only	CALL	CALL
1	355376S	1F, 1-1/2A std. sq. fig. 2 sp. 230 only	CALL	CALL
1	355377S	1-1/2F, 2A std. sq. fig. 2 sp. 230 only	CALL	CALL
1	355378S	2F, 2-1/2A std. sq. fig. 2 sp. 230 only	CALL	CALL
1	354806S	1 HP, 3 ph sq. fig. 208-230/460	CALL	CALL
1	354808S	1-1/2 HP, 3 ph sq. fig. 208-230/460	CALL	CALL
1	354810S	2 HP, 3 ph sq. fig. 208-230/460	CALL	CALL
1	354812S	3HP, 3 ph sq. fig. 208-230/460	CALL	CALL
1	354814S	5HP, 3 ph, sq. fig. 208-230/460	CALL	CALL
2	355004	Plate, seal - black	111.99	134.57

Item	Part No.	Description	US List	Can. List
3	355384	Plate, mounting 1/2F, 3/4A	33.45	40.19
3	355317	Plate, mount 3/4F thru 3F, 1A thru 2-1/2A	16.43	19.74
4	354545S	Seal, 5/8 in. mechanical PS 200	31.55	37.91
5	355147	Impeller, 1/2F, 3/4A	59.99	72.08
5	355187	Impeller, 3/4F, 1A	61.18	73.51
5	355369	Impeller, 1F, 1-1/2A	62.07	74.58
5	355315	Impeller, 1-1/2F, 2A	62.34	74.91
5	355604	Impeller, 2F, 2-1/2A ¹	63.04	75.75
5	355544	Impeller, 3F	81.41	97.82
6	355148	Diffuser, 1/2F, 3/4A	36.55	43.92
6	355188	Diffuser, 3/4F, 1F, 1A, 11/2A	35.61	42.79
6	355270	Diffuser, 1-1/2F, 2A	36.80	44.22
6	355545	Diffuser, 3F, 2.5A, 2F ²	60.82	73.08
7	355320	Band, clamp assembly complete	95.51	114.76
8	355468	Housing, front, black	163.47	196.43
8	355469	Housing, front, almond	163.47	196.43
9	070429ZZ	Bolt 3/8-16 x 7/8 SS Hex Cap 18-8. 4 req.	CALL	CALL
10	355389	Screw, imp. locking	1.69	2.03
11	355305	Base, pump ³	54.52	65.51
11B	355385	Adapter, 5-5/8 in. dia. motor ⁴	13.92	16.73
12	355334Z	Screw, 8-32 x 1 in. SS hex wsh. hd., 3 req.	CALL	CALL
13	355331Z	O-ring, diffuser	CALL	CALL

Note: Pumps and replacement motors that are single speed and one (1) Total HP or greater cannot be sold, offered for sale, or installed in a residential pool for filtration use in California, Title 20 CCR sections 1601-1609.

CALIFORNIA PROPOSITION 65 WARNING

▲ **WARNING:** Cancer and Reproductive Harm.
 ▲ **AVERTISSEMENT:** Peut Causer le Cancer et des Dommages au Système Reproducteur.
 ▲ **ADVERTENCIA:** Cáncer y Daño Reproductivo.
www.p65warnings.ca.gov

Product on pages 188–189
 Replacement baskets on page 148.

CHALLENGER® HIGH PRESSURE PUMP (CONT'D)

REPLACEMENT PARTS

Item	Part No.	Description	US List	Can. List
CHALLENGER HIGH PRESSURE PUMPS				
14	355329Z	O-ring, front housing	CALL	CALL
15	355335	Screw, 5/16 in., 18 x 1/2 in. SS hex wsh. hd., 2 req.	1.69	2.03
16	192115Z	O-ring, drain plug	CALL	CALL
17	357161Z	Plug, 1/4 in. drain	CALL	CALL
18	152060	Bolt, 5/16 in., 18 x 4 in. carriage ⁵	11.81	14.19
19	072173	Washer, 5/16 in. SS flat	1.95	2.34
20	174882	Knob (fits clamp w/ removable bolt only)	38.77	46.59
20	175025	Knob (fits clamp w/ captured t-bolt only)	38.77	46.59
21	355330	O-ring, strainer pot flange	1.95	2.34
22	354265	Screw, 5/16 in., 18 x 3/4 in. SS hex wsh. hd., 4 req.	2.36	2.84
23	357161Z	Plug, 1/4 in. drain	CALL	CALL
24	192115Z	O-ring, drain plug	CALL	CALL
25	355300	Pot strainer	161.16	193.65
26	355318Z	Basket, plastic strainer (all except 3F)	CALL	CALL
26	355441	Basket, SS strainer (3F only)	208.34	250.34
27	350013Z	O-ring, lid	CALL	CALL
28	355301	Lid, strainer pot	70.95	85.25
28	354112	Lid, strainer pot chemical resistant	70.95	85.25
29	552377	Bushing, reducer 1/2F, 3/4F, 3/4A, 1A	15.77	18.95

POWER END ASSEMBLIES (INCLUDES ITEMS 1-6, 9, 10, 12 AND 13)				
	355670	CH-N1-1/2F, 3/4A std. power end 115/208-230	CALL	CALL
	355671	CH-N1-3/4F, 1A std. power end 115/208-230	CALL	CALL
	355672	CH-N1-1F, 1-1/2A std. power end 115/208-230	CALL	CALL
	355669	CH-N1-11/2F, 2A std. power end 115/208-230	CALL	CALL
	355674	CH-N1-1FE, 1-1/2AE power end 115/208-230	CALL	CALL
	355675	CH-N1-1-1/2FE, 2AE power end 208-230	CALL	CALL
	355676	CH-N1-2FE, 2-1/2AE power end 208-230 ¹	CALL	CALL
	355677	CH-N1-3FE, 1 ph power end 208-230	CALL	CALL
	355679	CH-N2-3/4F, 1A 2 sp. std. power end 115 only	CALL	CALL
	355680	CH-N2-1F, 1-1/2A 2 sp. std. power end 230 only	CALL	CALL
	355681	CH-N2-1-1/2F, 2A 2 sp. std. power end 230 only	CALL	CALL
	355682	CH-N2-2F, 2-1/2A 2 sp. std. power end 230 only	CALL	CALL

Item	Part No.	Description	US List	Can. List
NOT SHOWN				
	355302	Housing booster pump	226.19	271.79
	355309	Union Kit	120.80	145.15
	357391	Pot Assembly, Black with SS basket (3F Only) Includes items 23-28	759.97	913.18
	359507	Pot Assembly, Black with plastic bracket (all models except 3F and 5F) Includes items 23-28.	284.45	341.80
	401014Z	Motor End Cap and Screw	28.65	34.43
	357924Z	Fan Guard Kit TEFC/Super-Duty	CALL	CALL

¹ Used on 2F, 2-1/2A pumps built after 10-1-92.

² Used on 2F, 2-1/2A pumps built prior to 10-1-92. Must replace w/ both diffuser 355545 & impeller 355604.

³ Pump base, (item 11) includes dual radius motor support adapter (item 11B), which fits both 5-5/8 in. & 6-1/2 in. dia. motors.

⁴ Item 11A motor support is a replacement part that fits only older style pump bases with rectangular opening.

⁵ Carriage bolt (item 18) fits prev. style clamp band assembly (item 7).

Note: Challenger booster pumps consist of items 1-20.

Note: Challenger pool pumps consist of all items except item 15.

Note: Pumps and replacement motors that are single speed and one (1) Total HP or greater cannot be sold, offered for sale, or installed in a residential pool for filtration use in California, Title 20 CCR sections 1601-1609.

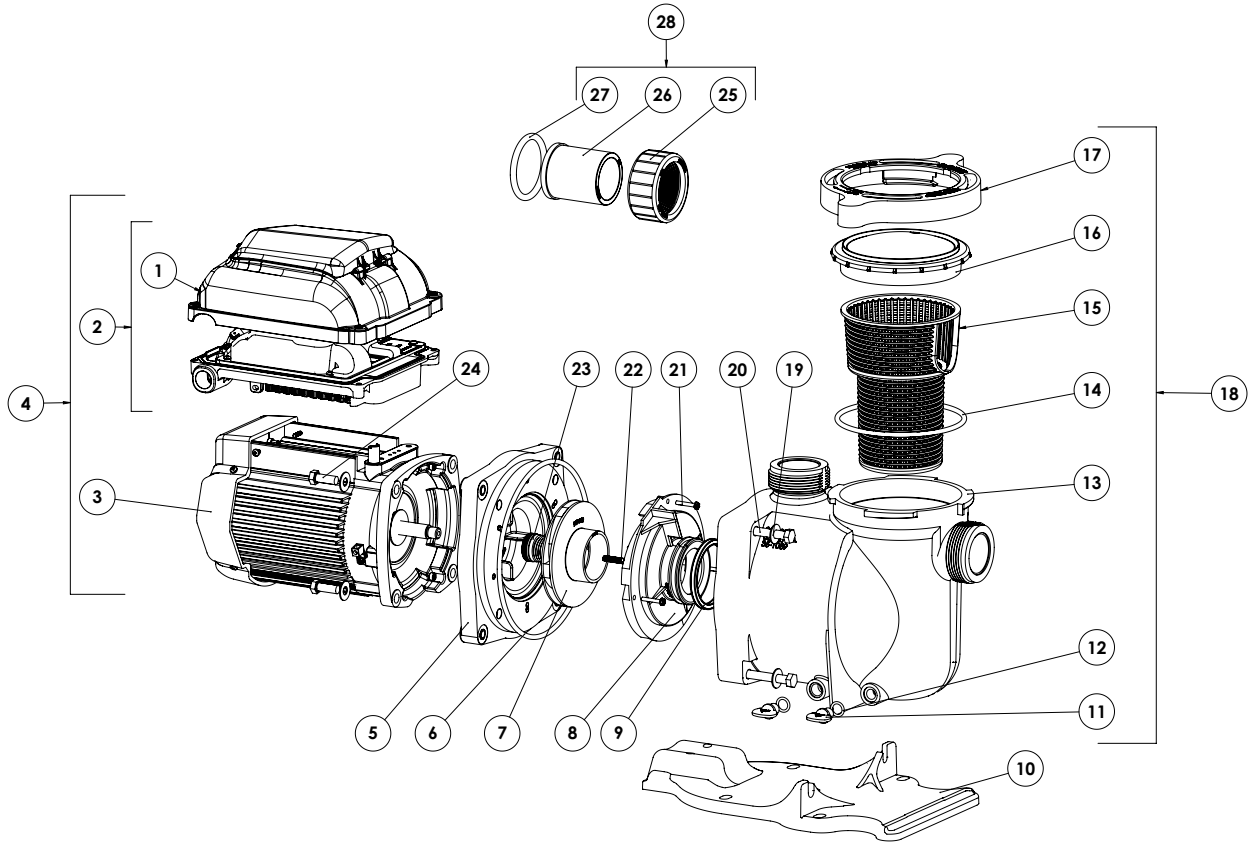
Product on pages 188-189.

Replacement baskets on page 148.

CALIFORNIA PROPOSITION 65 WARNING	
⚠	WARNING: Cancer and Reproductive Harm.
⚠	AVERTISSEMENT: Peut Causer le Cancer et des Dommages au Système Reproducteur.
⚠	ADVERTENCIA: Cáncer y Daño Reproductivo.
www.p65warnings.ca.gov.	
PR02011A	

SUPERFLO® VS VARIABLE SPEED PUMP

REPLACEMENT PARTS



Item	Part No.	Description	US List	Can. List
SUPERFLO VS VARIABLE SPEED PUMP				
1	353123	Drive Cover	327.37	393.37
2	353127	Drive/Cover Kit	900.24	1081.73
3	353134S	Motor	605.62	727.71
4	353132S	Motor/Drive Assy	CALL	CALL
5	356012	Sealplate ⁴	96.04	115.40
6	355619Z	Sealplate Gasket	CALL	CALL
7	355086	Impeller ¹	62.34	74.91
8	355618	Diffuser ²	105.79	127.12
9	355030Z	Diffuser Seal ³	CALL	CALL
10	350094	Base	106.07	127.45
11	071131Z	Drain Plug	CALL	CALL
12	192115Z	O-Ring Drain Plug	CALL	CALL
13	350089	Volute	324.20	389.56
14	357255Z	O-Ring, Lid #2-357	CALL	CALL
15	355667	Basket	23.98	28.81
16	350091	Lid, See Through	35.80	43.02
17	350090	Clamp, Cam And Ramp	44.61	53.60

Item	Part No.	Description	US List	Can. List
18	353010	Volute Assembly (Includes Items 11-17)	445.31	535.08
19	072184	Washer 3/8 In. Ss, 8 Req.	1.69	2.03
20	355621	Screw 3/8-16 X 2 1/4 Hex Head, 4 Req.	5.51	6.62
21	355334Z	Screw #8-32 Hex Washer Head, 3 Req.	CALL	CALL
22	355389	Screw, Impeller Locking	1.69	2.03
23	354545S	Seal Set	31.55	37.91
24	070429ZZ	Bolt 3/8-16 x 7/8 SS Hex Cap 18-8 4 req.	CALL	CALL
25	350092	Nut, 2 Req.	21.47	25.80
26	350093	Adapter, 2 Req.	20.04	24.08
27	6020018	O-Ring Adapter #2-226, 2 Req.	0.38	0.46
28	350157	Superflo Union Kit (Contains 2X Items 26-28)	93.25	112.05
	353129Z	Kit Dig Input 25' Superflo/ Supermax (Not shown)	98.20	118.00
	357923Z	Fan Guard Kit (Not shown)	CALL	CALL

CALIFORNIA PROPOSITION 65 WARNING

⚠ WARNING: Cancer and Reproductive Harm.
⚠ AVERTISSEMENT: Peut Causer le Cancer et des Dommages au Système Reproducteur.
⚠ ADVERTENCIA: Cáncer y Daño Reproductivo.
www.p65warnings.ca.gov

¹ After June 2019 use C105-238PDCA

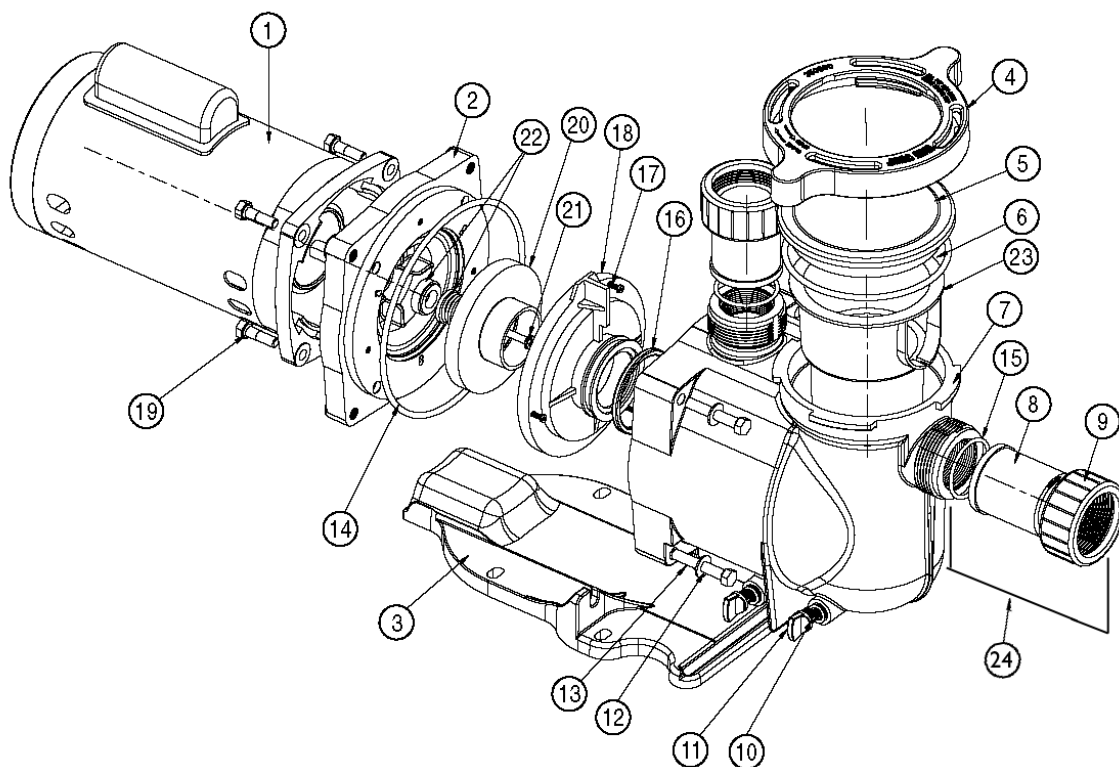
² After June 2019 use 355949

³ After June 2019 use 355331Z

⁴ After June 2019 use 356071

SUPERFLO® PUMP

REPLACEMENT PARTS



Item	Part No.	Description	US List	Can. List
SINGLE SPEED SUPERFLO MOTORS				
1	354803S	3/4 HP Motor, 1SP, 1PH, TEFC 115/208-230	CALL	CALL
1	354821S	1 HP Motor, 1SP, 1PH, TEFC 115/208-230	CALL	CALL
1	354823S	1-1/2 HP Motor, 1SP, 1PH, TEFC 208-230	CALL	CALL
1	354815S	2 HP Motor, 1SP, 1PH, TEFC 208-230	CALL	CALL
1	355018S	1/2 HP Motor SQFL, 1 Speed, 1 phase, 115/208-230, 60 Hz, almond	CALL	CALL
1	355018S	3/4 HP Motor SQFL, 1 Speed, 1 phase, 115/208-230, 60 Hz, almond	CALL	CALL
1	355020S	1 HP Motor SQFL, 1 Speed, 1 phase, 115/208-230, 60 Hz, almond	CALL	CALL
1	355022S	1-1.2 HP Motor SQFL, 1 Speed, 1 phase, 115/208-230, 60 Hz, almond	CALL	CALL
1	355024S	2 HP Motor SQFL, 1 Speed, 1 phase, 6115/208-230, 60 Hz, almond	CALL	CALL
1	355026S	2-1/2 HP Motor SQFL, 1 Speed, 1 phase, 208-230, 60 Hz, almond	CALL	CALL

Item	Part No.	Description	US List	Can. List
2 SPEED SUPERFLO MOTORS				
1	355003S	1 HP Motor SQFL, 2 Speed, 1 phase, 60 Hz	CALL	CALL
1	356630S	1-1/2 HP Motor SQFL, 2 Speed, 1 phase, 60 Hz	CALL	CALL
1	071320S	2 HP Motor SQFL, 2 Speed, 1 phase, 60 Hz	CALL	CALL
ENERGY EFFICIENT SUPERFLO MOTORS				
1	355008S	1/2 HP Motor SQFL, 1 Speed, 1 phase, 60 Hz, 115/208-230, almond	CALL	CALL
1	355008S	3/4 HP Motor SQFL, 1 Speed, 1 phase, 60 Hz, 115/208-230, almond	CALL	CALL
1	355008S	1 HP Motor SQFL, 1 Speed, 1 phase, 60 Hz, 115/208-230, almond	CALL	CALL
1	355010S	1.5 HP Motor SQFL, 1 Speed, 1 phase, 60 Hz, 115/208-230, almond	CALL	CALL
1	355012S	2 HP Motor SQFL, 1 Speed, 1 phase, 60 Hz, 208-230, almond	CALL	CALL
1	355014S	2.5 HP Motor SQFL, 1 Speed, 1 phase, 60 Hz, 208-230, almond	CALL	CALL

CALIFORNIA PROPOSITION 65 WARNING

⚠️ **WARNING:** Cancer and Reproductive Harm.
 ⚠️ **AVERTISSEMENT:** Peut Causer le Cancer et des Dommages au Système Reproducteur.
 ⚠️ **ADVERTENCIA:** Cáncer y Daño Reproductivo.
www.p65warnings.ca.gov

Note: Pumps and replacement motors that are single speed and one (1) Total HP or greater cannot be sold, offered for sale, or installed in a residential pool for filtration use in California, Title 20 CCR sections 1601-1609.

SUPERFLO® PUMP (CONT'D)

REPLACEMENT PARTS

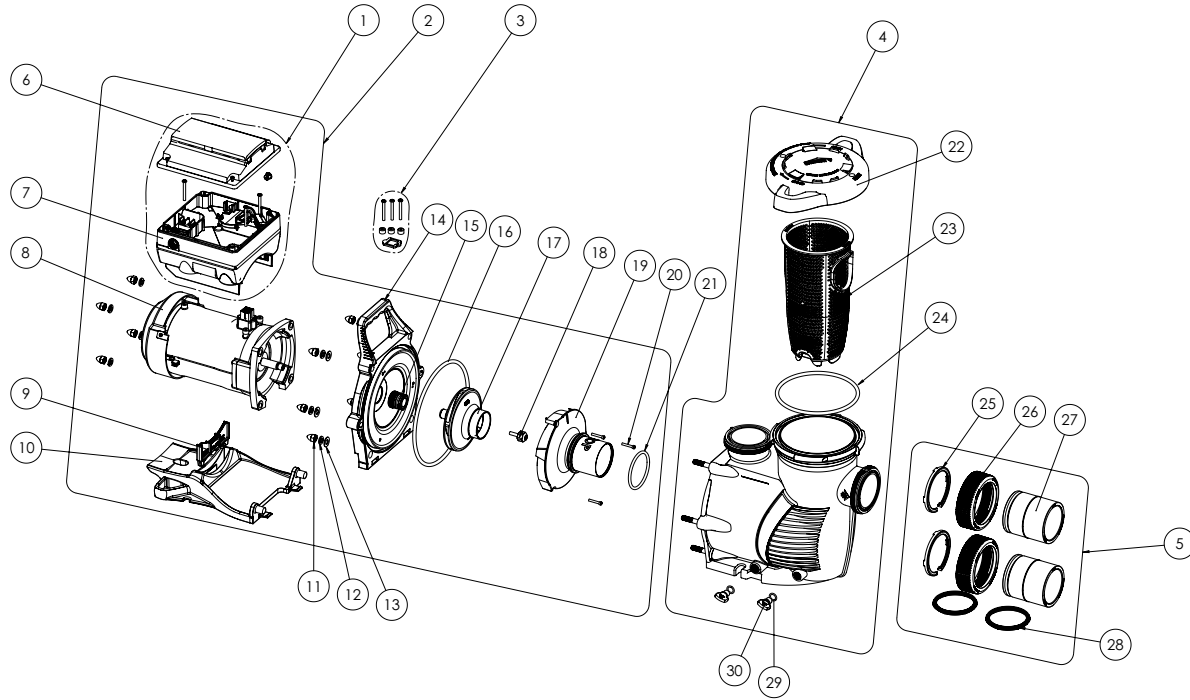
Item	Part No.	Description	US List	Can. List
SUPERFLO PUMPS				
2	356012	Seal plate	96.04	115.40
3	350094	Base	106.07	127.45
4	350090	Clamp, Cam & Ramp®	44.61	53.60
5	350091	Lid	35.80	43.02
6	357255Z	O-ring, lid No. 2-357	CALL	CALL
7	350089	Volute	324.20	389.56
8	350093	Adaptor, 2 req.	20.04	24.08
9	350092	Nut, 2 req.	21.47	25.80
10	192115Z	O-ring drain plug, 2 req.	CALL	CALL
11	071131Z	Drain plug, 2 req.	CALL	CALL
12	355621	Screw, 3/4-16 x 2-1/4 Hex hd, 4 req.	5.51	6.62
13	072184	Washer, 3/8 in. SS, 4 req.	1.69	2.03
14	355619Z	O-ring, 1 req.	CALL	CALL
15	6020018	O-ring adaptor No.2-226, 2 req.	0.38	0.46
16	355030Z	Seal diffuser	CALL	CALL
17	355334Z	Screw, No.8-32 hex washer HD, 3 req.	CALL	CALL
SUPERFLO DIFFUSERS				
18	355617	Diffuser, 1/2 HP	105.79	127.12
18	355617	Diffuser, 3/4 HP	105.79	127.12
18	355617	Diffuser, 1 HP	105.79	127.12
18	355618	Diffuser, 1-1/2 HP	105.79	127.12
18	355618	Diffuser, 2 HP	105.79	127.12
18	350170	Diffuser, 2-1/2 HP	104.19	125.19
19	U30-74SS	Hex head screw, 3/8, 16, 4 req.	4.83	5.80

Item	Part No.	Description	US List	Can. List
SUPERFLO IMPELLERS				
20	355043	Impeller 1/2 HP	59.99	72.08
20	355043	Impeller 3/4 HP	59.99	72.08
20	355067	Impeller 1 HP	61.18	73.51
20	355074	Impeller 1-1/2 HP	61.90	74.38
20	355086	Impeller 2 HP	62.34	74.91
20	355093	Impeller 2-1/2 HP	63.47	76.27
21	355389	Screw, impeller locking	1.69	2.03
22	354545S	Seal set	31.55	37.91
23	355667	Basket, large	23.98	28.81
KITS				
24	350157	Union Kit, items 8, 9 & 15 (2 of each included)	93.25	112.05
NOT SHOWN				
	79129900	2-Speed Toggle Switch	53.80	64.65
	400013Z	Motor End Cap and Screw	28.65	34.43
	357923Z	Fan Guard Kit TEFC/Super-Duty	CALL	CALL

CALIFORNIA PROPOSITION 65 WARNING
 ⚠️ **WARNING:** Cancer and Reproductive Harm.
 ⚠️ **AVERTISSEMENT:** Peut Causer le Cancer et des Dommages au Système Reproducteur.
 ⚠️ **ADVERTENCIA:** Cáncer y Daño Reproductivo.
www.p65warnings.ca.gov PR 2017/A

INTELLIPROXF® VSF PUMP INTELLIPROXF VS PUMP - AFTER AUGUST 2015

REPLACEMENT PARTS



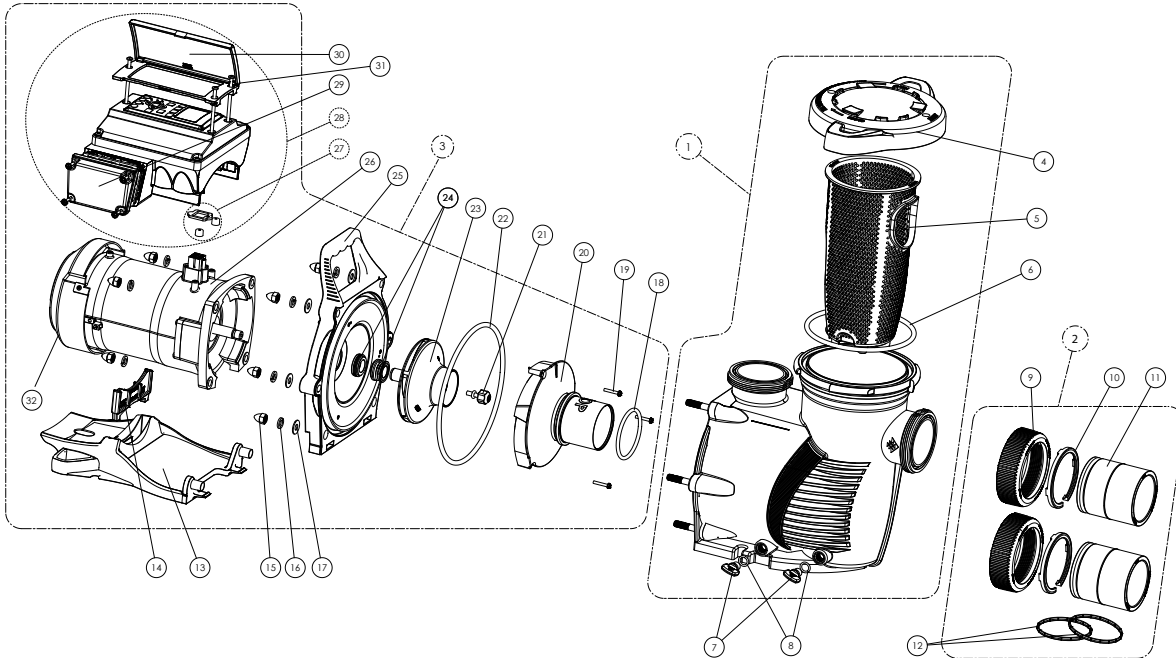
Item	Part No.	Description	US List	Can. List
INTELLIPRO XF PUMP				
1	352032Z	Drive Kit (VSF model)	CALL	CALL
1	356893Z	Drive Kit (VS model)	CALL	CALL
2	401655Z	Power End Kit (VS model)	2842.51	3415.56
3	355685	Drive Hardware Kit	119.16	143.18
4	401000	Wet End Assembly	346.35	416.17
5	410020	Union Kit w/o Tap	157.79	189.60
6	358527Z	Keypad Assembly Kit	376.45	452.34
7	356898Z	Drive (VSF model)	CALL	CALL
7	356892Z	Drive (VS model)	CALL	CALL
8	350306S	Motor	CALL	CALL
9	357160	Motor Support Insert	21.21	25.49
10	401004Z	Motor Base	42.27	50.79
11	071413	Acorn Nut (Qty. 10)	1.34	1.61
12	U43-12SS	Lock Washer (Qty. 10)	2.92	3.51
13	072184	Flat Washer (Qty. 6)	1.69	2.03
14	401002	Seal Plate	228.90	275.05
15	17351-0101S	Mechanical Seal	28.74	34.53
16	351446	Seal Plate O-Ring	6.87	8.25
17	400015	Impeller	139.51	167.64
18	37337-6080	Impeller Screw Set	21.22	25.50
19	400010	Diffuser	100.17	120.36
20	353323	Diffuser Screws	3.60	4.33

Item	Part No.	Description	US List	Can. List
21	350336	Diffuser O-Ring	3.60	4.33
22	401006	Lid/Locking Ring Assembly	60.94	73.23
23	400007Z	Strainer Basket	38.11	45.79
24	35505-1440	Lid/Locking Ring O-Ring	20.44	24.56
25	410001	2.5" C-Clip Locking Ring (Qty. 2)	7.72	9.28
26	411000	2.5" Union Nut (Qty. 2)	21.20	25.47
27	410002	2.5" Union Adapter w/o Tap (Qty. 2)	36.56	43.93
28	410016Z	2.5" Diamond Seal Kit (Qty. 2)	13.05	15.68
29	192115Z	Drain Plug O-Ring (Qty. 2)	CALL	CALL
30	357161Z	Drain Plug (Qty. 2)	CALL	CALL
NOT SHOWN				
	356905Z	Keypad Relocation Kit	81.82	98.31
	400032Z	Seal Plate w/Mech Seal	221.68	266.37
	350122	50 Ft. Communication Cable	186.48	224.07
	352501	Motor Fan Kit	191.35	229.93

CALIFORNIA PROPOSITION 65 WARNING
⚠️ WARNING: Cancer and Reproductive Harm.
⚠️ AVERTISSEMENT: Peut Causer le Cancer et des Dommages au Système Reproducteur.
⚠️ ADVERTENCIA: Cáncer y Daño Reproductivo.
www.p65warnings.ca.gov

INTELLIPROXF® VARIABLE SPEED PUMP - BEFORE AUGUST 2015

REPLACEMENT PARTS



Item	Part No.	Description	US List	Can. List
INTELLIPRO XF PUMP				
1	401000	Wet End Assembly	346.35	416.17
2	410020	Union Kit Without Tap	157.79	189.60
3	401605Z	Power End Assy w/ Drive & Motor	CALL	CALL
4	401006	Lid/Locking Ring Assy	60.94	73.23
5	400007Z	XF Series Replacement Basket	38.11	45.79
6	35505-1440	Lid/Locking Ring O-Ring	20.44	24.56
7	357161Z	Drain Plug (2 req.)	CALL	CALL
8	192115Z	Drain Plug O-ring (2 req.)	CALL	CALL
9	411000	2.5 in. Union Nut	21.20	25.47
10	410001	2.5 in. C-Clip Locking Ring	7.72	9.28
11	410002	2.5 in. Union Adapter	36.56	43.93
12	410016Z	2.5 in. Diamond Seal Kit - (Includes two)	13.05	15.68
13	401004Z	Motor Base	42.27	50.79
14	357160	Motor Support Insert- Black	21.21	25.49
15	071413	Acorn Nut (each)	1.34	1.61
16	U43-12SS	Split Lock Washer (each)	2.92	3.51
17	072184	Flat Washer (each)	1.69	2.03
18	350336	Diffuser O-ring	3.60	4.33
19	353323	Diffuser Screw	3.60	4.33
20	400010	Diffuser	100.17	120.36
21	37337-6080	Impeller Reverse Screw	21.22	25.50

Item	Part No.	Description	US List	Can. List
22	351446	Seal Plate O-Ring	6.87	8.25
23	400015	Impeller Assembly	139.51	167.64
24	17351-0101S	Mechanical Seal Assembly	28.74	34.53
25	401002	Seal Plate	228.90	275.05
26	357294S	Motor Kit	CALL	CALL
27	350612	Drive Hardware and Gasket Kit (Incl. item # 31)	119.16	143.18
28	353252	Variable Speed Drive Assy Kit	1530.85	1839.47
29	353310	Field Wiring Comp Kit w/ Gasket	105.83	127.17
30	350701	Control Cover Assy Kit (incl. item #27) ¹	238.72	286.85
30	401100	Control Cover Assy Kit (incl. item #27) ²	238.72	286.85
31	350107	Screw 10-24 x 3-1/4 in. PH MS 18-8SS (Qty. 3)	4.62	5.55
32	352501	Motor Fan Kit (contains Fan, Shroud, Hardware)	191.35	229.93
NOT SHOWN				
	400032Z	Seal Plate Kit w/ Mech Seal	221.68	266.37
	400012	Riser Plate XF to Challenger	73.13	87.87
	350122	50 Ft. Communication Cable	186.48	224.07

CALIFORNIA PROPOSITION 65 WARNING

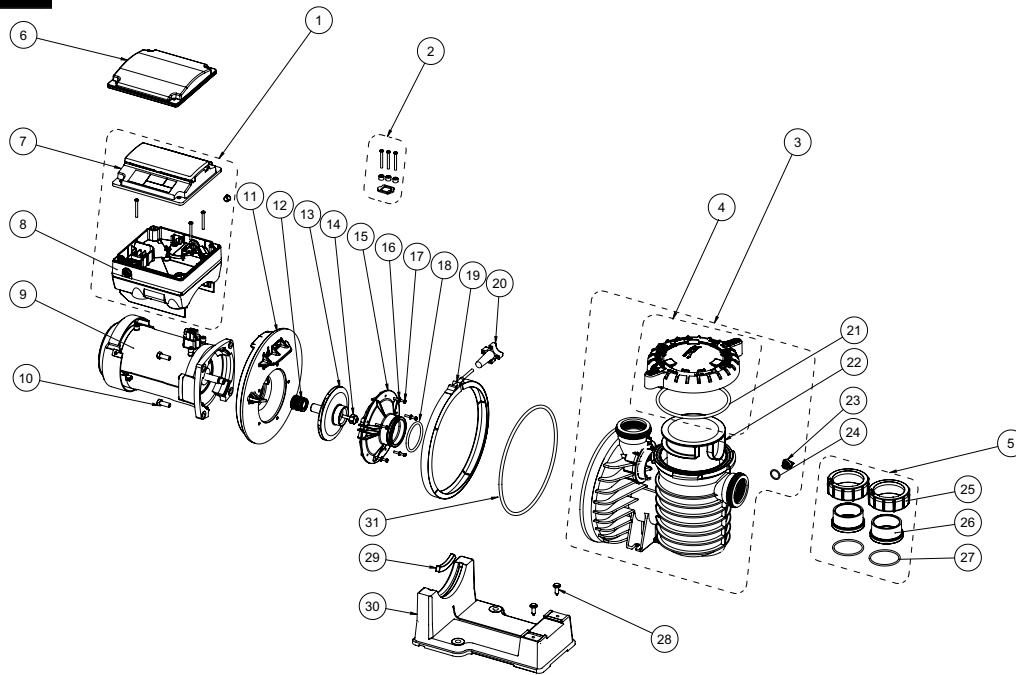
⚠ WARNING: Cancer and Reproductive Harm.
⚠ AVERTISSEMENT: Peut Causer le Cancer et des Dommages au Système Reproducteur.
⚠ ADVERTENCIA: Cáncer y Daño Reproductivo.
www.p65warnings.ca.gov

¹ Used on pumps manufactured before 7/2/13
² Used on pumps manufactured after 7/2/13 to present

INTELLIPRO® VSF PUMP/INTELLIPRO 2 VST PUMP INTELLIPRO VS PUMP - AFTER 2018



REPLACEMENT PARTS



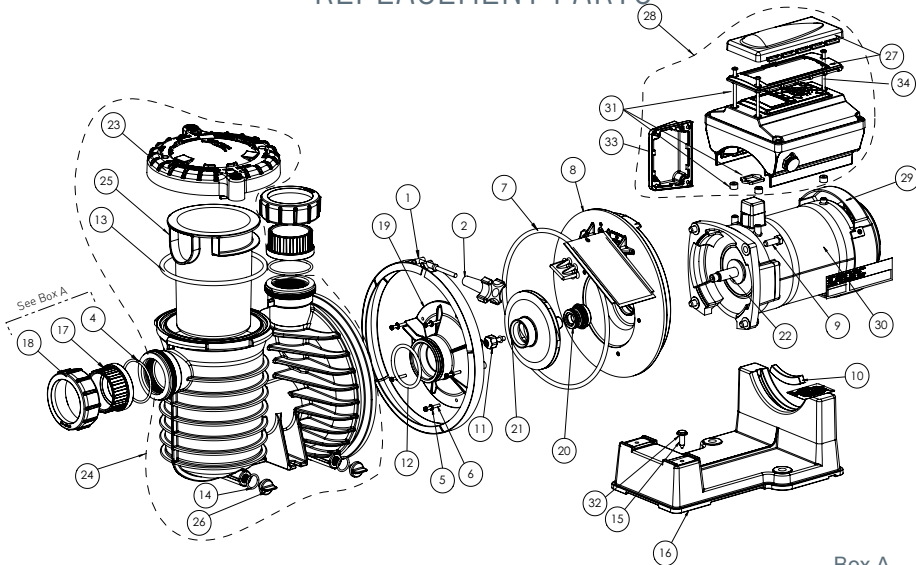
Item	Part No.	Description	US List	Can. List
INTELLIPRO PUMP				
1	353141Z	Drive Kit w/Keypad (Includes Item #2, 7 and 8) (VSF model)	CALL	CALL
1	356893Z	Drive Kit w/Keypad (Includes Item #2, 7 and 8) (2VST and VS models)	CALL	CALL
2	355685	Drive Kit Hardware Kit (Includes Drive Screws, Drive Gasket and Screw Caps)	119.16	143.18
3	17307-0110S	Tank Body Assembly (Includes Trap Cover and Items #21-24)	341.91	410.84
4	17307-0111S	Trap Cover Assembly (Includes Trap Cover and Item #21)	77.32	92.91
5	42001-0402	2" Slip Union Half Kit (Includes Items #25-27)	42.81	51.44
6	356905Z	Keypad Relocation Kit (Includes Keypad Relocation Cable and Blank Drive Cover)	81.82	98.31
7	358527Z	Keypad Assembly Kit	376.45	452.34
8	356657Z	Drive (VSF model)	CALL	CALL
8	356892Z	Drive (2VST and VS models)	CALL	CALL
9	350306S	Motor 3.2 KW Ferrite Blk	CALL	CALL
10	070429ZZ	Bolt 3/8-16 x 7/8 SS Hex Cap 18-8, 4 req.	CALL	CALL
11	C103-194P	Seal Plate	78.37	94.17
12	17351-0101S	Shaft Seal, EPDM black	28.74	34.53
13	C105-238PLA	Impeller Assembly	92.25	110.85
14	37337-6080	Impeller Screw	21.22	25.50
15	C1-271P	Diffuser	33.94	40.78
16	U43-21SS	#8 Ext Tooth Washer (Qty. 5)	1.87	2.25

Item	Part No.	Description	US List	Can. List
17	U30-922SS	Diffuser Screw	1.18	1.42
18	U9-374Z	Diffuser O-Ring	CALL	CALL
18	357098Z	Diffuser O-Ring (Blue Coating)	6.34	7.62
19	C19-37A	V-Clamp	114.78	137.92
20	WC36-22	Clamp, Knob	14.10	16.94
21	35505-1440	Trap O-Ring, 6.90 O.D. 6.35 I.D.	20.44	24.56
22	C8-58PZ	Trap Basket	CALL	CALL
23	U78-920P	Drain Plug (Qty. 2)	2.18	2.62
24	U9-359	Drain Plug O-Ring (Qty. 2)	0.83	1.00
25	U11-200PSZ	Union Collar (Qty. 2)	CALL	CALL
26	U11-196PSZ	2" Slip Adapter (Qty. 2)	CALL	CALL
27	U9-362	O-Ring #2-231 (Qty. 2)	5.41	6.50
28	U30-918SS	Base Screw, 5/16-14 x 1 in. Lg.Hi-Lo Hex (Qty2)	5.43	6.52
29	C35-11	Motor Pad	3.54	4.25
30	C4-78P	Motor Base	49.95	60.02
31	U9-228AZ	Seal Plate O-Ring (Round)	CALL	CALL
31	357099Z	Seal Plate O-Ring (Square)	11.29	13.57
NOT SHOWN				
	350122	50 Ft. Communication Cable	186.48	224.07
	354045	Power End - IntelliPro 2 VST and VS	2632.50	3163.21
	352501	Motor Fan Kit	191.35	229.93

CALIFORNIA PROPOSITION 65 WARNING
 ⚠️ **WARNING:** Cancer and Reproductive Harm.
 ⚠️ **AVERTISSEMENT:** Peut Causer le Cancer et des Dommages au Système Reproducteur.
 ⚠️ **ADVERTENCIA:** Cáncer y Daño Reproductivo.
www.p65warnings.ca.gov PH202114

INTELLIPRO® VARIABLE SPEED PUMP-BEFORE 2019

REPLACEMENT PARTS



CALIFORNIA PROPOSITION 65 WARNING

⚠ **WARNING:** Cancer and Reproductive Harm.
 ⚠ **AVERTISSEMENT:** Peut Causer le Cancer et des Dommages au Système Reproducteur.
 ⚠ **ADVERTENCIA:** Cáncer y Daño Reproductivo.
www.p65warnings.ca.gov

Box A

For quick disconnect pipe connections, purchase separately:

Pkg. 188 2 in. Slip 1/2 Union Kit or
 Pkg. 189 2 in. NPT 1/2 Union Kit.

Includes 2 each:
 U11-200P Union Collar
 U9-362 O-Ring
 U11-196P 2 in. Slip adapter or U11-199P 2 in. NPT adapter.

Item	Part No.	Description	US List	Can. List
INTELLIPRO VARIABLE SPEED PUMP				
1	C19-37A	V-Clamp	114.78	137.92
2	WC36-22	Clamp, Knob	14.10	16.94
3	350122	Cable 50ft 2 COND, IntelliFlo to IntelliTouch (Not Shown).	186.48	224.07
4	U9-362	Orng #2- 231 buna N 70 DU	CALL	CALL
5	U43-21SS	#8 Ext Tooth Wshr, 5 req.	CALL	CALL
6	U30-922SS	Mach SCR HX HD 8- 32, 5 req.	CALL	CALL
7	U9-228A	Seal Plate O-Ring, (Round) 1 req.	CALL	CALL
7	357099Z	Seal Plate O-Ring, (Square) 1 req.	11.29	13.57
8	C103-194P	Sealplate.	CALL	CALL
9	U30-74SS	3/8-16 x 1 in. HX HD SS	CALL	CALL
10	C35-11	Motor Pad	CALL	CALL
11	37337-6080	Impeller Screw	CALL	CALL
12	U9-374	Diffuser O-Ring	CALL	CALL
12	357098Z	Diffuser O-Ring (Blue Coating)	6.34	7.62
13	35505-1440	O-Ring 6.90 O. D 6.35 I. D	20.44	24.56
14	U9-359	ORNG #2 - 112 N674- 70 Drain Plug	CALL	CALL
15	U30-918SS	SCR 5/16-14 x 1 in. LG HI-LO Hex	5.43	6.52
16	C4-78P	Base	49.95	60.02
17	U11-196PSZ	Adaptor Union 2 in. Slip	CALL	CALL
18	U11-200PSZ	Collar Union 2 in.	CALL	CALL
19	C1-271P	Diffuser	33.94	40.78
20	17351-0101S ³	Shaft Seal, EPDM black	CALL	CALL
21	C105-238PLA	Imp. Assy. 3 Phase	92.25	110.85
22	17351-0009	Slinger. Pump Shaft 1/16 in.	2.07	2.49

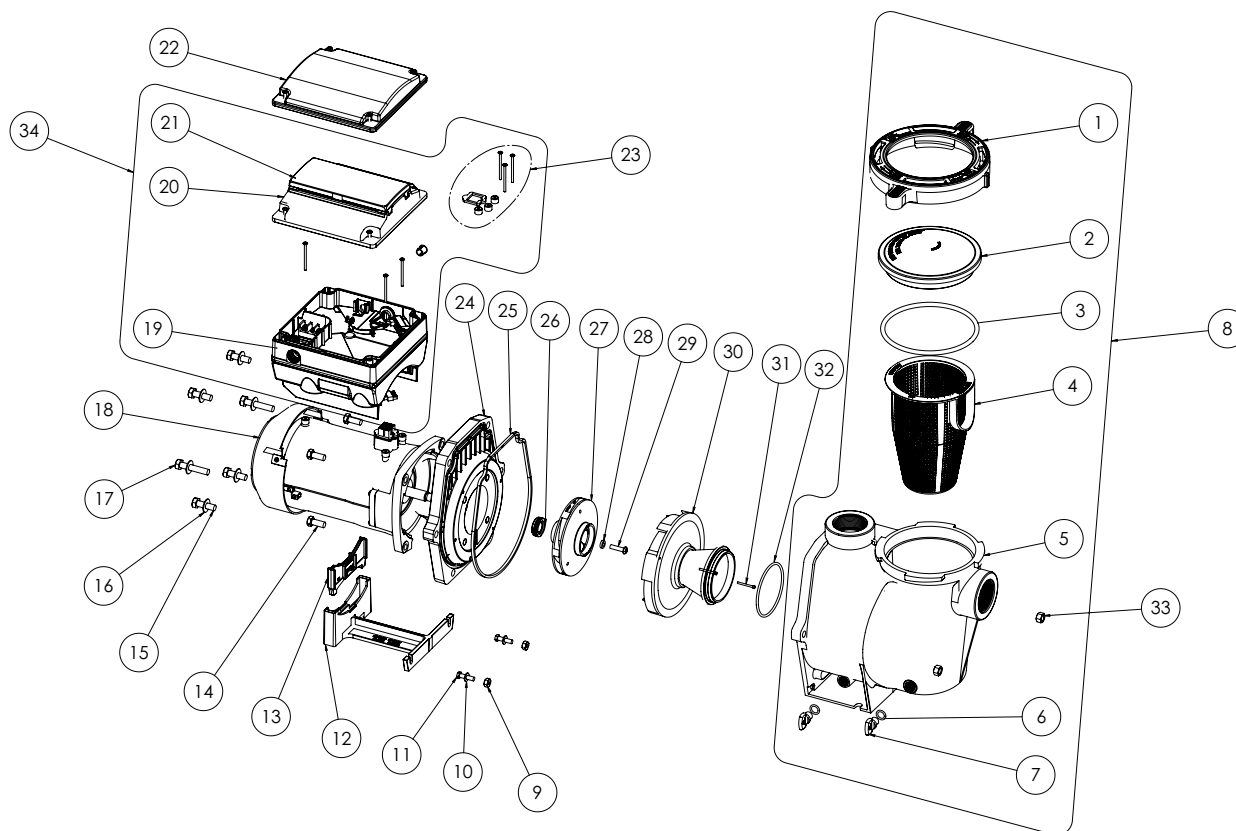
Item	Part No.	Description	US List	Can. List
23	17307-0111S	Trap Cover Assy. (Contains: Trap Cover, Trap Ring and Cover O-Ring)	77.32	92.91
24	17307-0110S	Tank Body Assy. Max- E- Pro Pump SVC 18 (Trap Body, Basket, Drain Plugs and Trap Cover Assy.)	341.91	410.84
25	C8-58PZ	Trap Basket	CALL	CALL
26	U78-920P	Drain Plug	2.18	2.62
27	350701	Cover Control Assy. Kit, Black (Contains: Cover Assy., Hardware/Gasket Kit, Inst.) ¹	238.72	286.85
27	401100	Cover Control Assy. Kit, Black (Contains: Cover Assy., 3 Screws, and 3 Spacer Caps) ²	238.72	286.85
28	353252	IntelliPro Variable Speed Drive Kit - Includes Drive and Control Cover Assy., Lid, Hardware/Gasket Kit	1530.85	1839.47
29	352501	Fan Motor Kit (Contains: Fan Shroud, Fan, Hardware)	191.35	229.93
30	357294S	Motor VFD 3.2KW PMSW, Black	CALL	CALL
31	350612	Hardware/Gasket Kit (Contains: 3 Screws, 3 Spacer Caps, and Drive Gasket)	119.16	143.18
32	U43-41SSZ	Washer 5/16 in.	CALL	CALL
33	353310	Field Wiring Compartment Kit w/ gasket	105.83	127.17
34	350107	Screw 10-24 x 3-1/4 in PH MS 18-8 SS (qty 3)	4.62	5.55

NOT SHOWN				
	070209	Power end IntelliPro Variable Speed (Contains items 5, 6, 7, 8, 11, 19, 20, 28 & 30)	CALL	CALL

¹ Used on pumps manufactured before 7/3/13
² Used on pumps manufactured 7/3/13 and after
³ Used on pumps manufactured 7/15/14 to present

INTELLIPRO® VS+SVRS PUMP - AFTER JUNE 2016

REPLACEMENT PARTS



Item	Part No.	Description	US List	Can. List
INTELLIPRO VS+SVRS PUMP				
1	357150	Clamp, Cam and Ramp	52.56	63.16
2	357151	See-through Lid	39.57	47.55
3	350013Z	Lid O-Ring	CALL	CALL
4	070387Z	Strainer Basket	CALL	CALL
5	357157	Volute WF	251.61	302.33
6	192115Z	O-Ring 112 for Drain Plug (Qty 2)	CALL	CALL
7	357161Z	Drain Plug WF (Qty 2)	CALL	CALL
8	357244	Volute Kit (Contains items #1-7)	526.49	632.63
9	071406	Nut 1/4-20 Hex SS (Qty 2)	1.69	2.03
10	072183	Washer, Flat 1/4" ID x 5/8" OD (Qty 2)	1.69	2.03
11	071657Z	Screw 1/4-20 x 1" Hex Cap SS (Qty 2)	CALL	CALL
12	357159	Foot WF	42.27	50.79
13	357160	Foot Insert WFE Pump Motor Support	21.21	25.49
14	070429ZZ	Bolt, Hex Head 3/8-16 x 1.25" (Qty 4)	CALL	CALL
15	072184	Washer, Flat 3/8" ID x 7/8 OD (Qty 6)	1.69	2.03
16	070430	Bolt, Hex Head 3/8-16 x 1.25" (Qty 4)	2.76	3.32
17	070431	Bolt, Hex Head 3/8-16 x 2" (Qty 2)	3.03	3.64
18	350306S	Motor, 3.2 kW 10 Pole	CALL	CALL
19	356912Z	Drive, Variable Speed	CALL	CALL
20	358527Z	Keypad Assembly Kit (Contains item #21)	376.45	452.34
21	401100	Keypad Cover	238.72	286.85
22	356905Z	Keypad Relocation Kit (Contains Keypad Relocation cable and Blank Drive Cover)	81.82	98.31

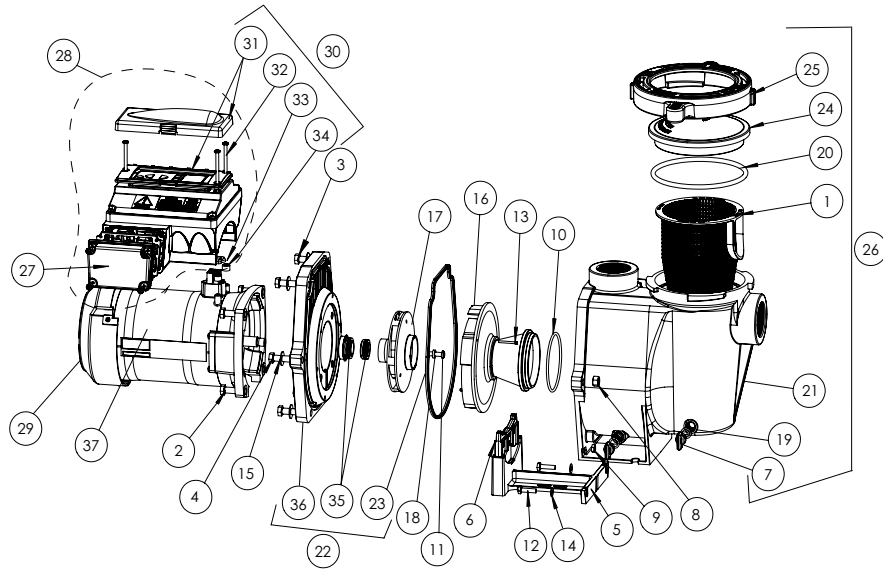
Item	Part No.	Description	US List	Can. List
23	355685	Drive Hardware Kit (Contains Drive Screws, Drive Gasket and Screw Caps)	119.16	143.18
24	357158	Seal Plate	103.17	123.97
25	357100Z	Seal Plate Gasket	CALL	CALL
26	071734S	Mechanical Seal	33.41	40.15
27	073131	Impeller	110.03	132.21
28	075713	Rubber Washer, Impeller Set Screw	1.69	2.03
29	071652Z	Impeller Set Screw 1/4-20 LH Thread	CALL	CALL
30	072928	Diffuser	100.17	120.36
31	071660Z	Diffuser Set Screw 4-40 x 1-1/8 (Qty 2)	CALL	CALL
32	355227Z	Diffuser O-Ring	CALL	CALL
33	071403	Nut 3/8" Brass, Nickel Plated (Qty 2)	1.69	2.03
34	356913Z	Drive Kit (Incl. Items #19-23)	CALL	CALL
NOT SHOWN				
	350122	50 Ft. Communication Cable	186.48	224.07
	350203	Seal Plate Kit w/Mechanical Seal (Incl. Items #24, 25 and 26)	221.99	266.74
	357603	Union Kit (Incl. 2 complete unions for 1 pump - Not included with pump)	123.12	147.94
	350198	Seal Plate Kit (Ozone/Salt resistant)	216.81	260.52
	352501	Motor Fan Kit	191.35	229.93

CALIFORNIA PROPOSITION 65 WARNING

⚠ **WARNING:** Cancer and Reproductive Harm.
 ⚠ **AVERTISSEMENT:** Peut Causer le Cancer et des Dommages au Système Reproducteur.
 ⚠ **ADVERTENCIA:** Cáncer y Daño Reproductivo.
www.p65warnings.ca.gov

INTELLIPRO® VS+SVRS PUMP - BEFORE JUNE 2016

REPLACEMENT PARTS



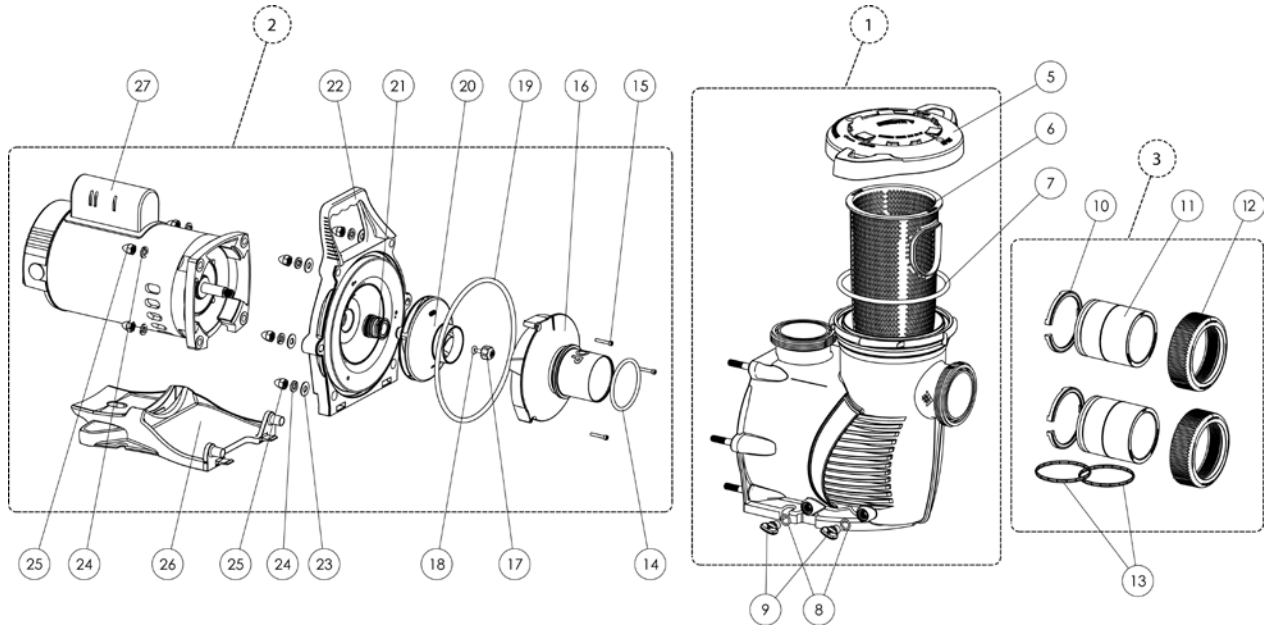
Item	Part No.	Description	US List	Can. List
INTELLIPRO VS+SVRS PUMP				
1	070387Z	Basket WF	CALL	CALL
2	070429ZZ	Bolt hex HD, 2-56 x .875 S/S, 4 req.	CALL	CALL
3	070430	Bolt, 3/8-16 x 1-1/4 hex cap 18-8 S/S, 4 req.	2.76	3.32
4	070431	Bolt, 3/8-16 x 2 hex cap 18-8 S/S, 2 req.	3.03	3.64
5	357159	Foot WF, pump motor support, black	42.27	50.79
6	357160	Foot insert WF pump, black	21.21	25.49
7	357161Z	Plug drain WFE, black, 2 req.	CALL	CALL
8	071403	Nut, 3/8-16 brass nickel plated, 2 req.	1.69	2.03
9	071406	Nut, 1/4-20 hex S/S, 2 req.	1.69	2.03
10	355227Z	O-ring #238, 3.484 x .139, buna N 70	CALL	CALL
11	071652Z	Screw, 1/4, 20 x 1 LH phillips pan MS 18-8 S/S, 1 req.	CALL	CALL
12	071657Z	Screw, 1/4-20 x 1 in. hex cap 18-8 S/S, 2 req.	CALL	CALL
13	071660Z	Screw set, 4-40 x 1-1/8 WFE sckt cap 18-8 S/S, 2 req.	CALL	CALL
14	072183	Washer, flat 1/4 x 5/8 20GA thick 18-8 S/S, 2 req.	1.69	2.03
15	072184	Washer, 3/8 ID x 7/8 OD .05 thick 18-8 S/S, 6 req.	1.69	2.03
16	072928	Diffuser assembly, black	100.17	120.36
17	073131	Impeller, IntelliPro VS+SVRS	110.03	132.21
18	075713	Rubber washer, WFE pump, 1 req.	1.69	2.03
19	192115Z	O-ring 112, .487 x .103 buna -N 70, 2 req.	CALL	CALL
20	350013Z	O-ring lid CH/WF 2-436, 1 req.	CALL	CALL
21	357157	Housing WFE, black	251.61	302.33
22	350203	Seal plate kit, black w/ gasket (Items 23, 35, 36)	221.99	266.74
23	357100Z	Black Gasket for Seal plate	CALL	CALL
24	357151	Lid, see thru WF.	39.57	47.55
24	357156	Lid, Chemical Resistant	74.65	89.70
25	357150	Clamp cam & ramp WF, black	52.56	63.16

Item	Part No.	Description	US List	Can. List
26	357244	Pot WF assy., black (contains 1, 7 (qty. 2), 19 (qty. 2), 20, 21, 24, 25)	526.49	632.63
27	350310	Junction Box Cover - Black	22.38	26.89
28	353250	IntelliPro VS+SVRS Drive Kit - Contains Drive and Control Cover Assy.	CALL	CALL
29	352501	Motor fan kit, black (contains fan, shroud, hardware).	191.35	229.93
30	350701	Drive Control Cover assembly kit, black (contains drive lid, screws, spacer caps, items 31, 32 (qty. 3), 33, 34 (qty. 3) 1	238.72	286.85
30	401100	Drive Control Cover assembly kit, black (contains drive lid, screws, spacer caps, items 31, 32 (qty. 3), 33, 34 (qty. 3) 2	238.72	286.85
31	401101	Control cover assembly (not sold individually - order assy kit item 30)	CALL	CALL
32	350107	Screw 10-24 x 3/4 in. PH MS 18-8 s/s (qty. 3)	4.62	5.55
33	350108	IntelliPro drive gasket	9.59	11.52
34	350142	Spacer cap (qty. 3)	33.51	40.27
35	071734S	Seal Kit	33.41	40.15
36	357158	Seal Plate - black	103.17	123.97
37	357294S	Motor VFD 3.2KW PMSM replacement, black	CALL	CALL
NOT SHOWN				
	350122	50 ft. Communication Cable	186.48	224.07
	347910	Black Volute/Seal plate Replacement Kit (Items 1, 7 (qty. 2), 19 (Qty 2), 20, 21, 22, 23, 24, 25)	CALL	CALL
	350612	Hardware/gasket assy. kit (contains 3 screws, 3 spacer caps and drive gasket)	119.16	143.18
	357603	Union Kit (contains 2 complete unions for one pump, not included with pump).	123.12	147.94
	350101	Seal plate kit without gasket (Items 35 and 36)	CALL	CALL
	350198	Seal Plate Kit (ozone/salt resistant)	216.81	260.52

¹ Used on pumps manufactured before 3/20/2013
² Used on pumps manufactured after 3/20/2013
³ Contact factory for IntelliPro VS+SVRS

MAX-E-PROXF[®] SERIES PUMP

REPLACEMENT PARTS



Item	Part No.	Description	US List	Can. List
MAX-E-PRO XF PUMP				
1	401000	Wet End Assembly	346.35	416.17
2	See chart on next page	Power End Assembly		
3	410020	Union Kit Without Tap	157.79	189.60
5	401006	Lid/Locking Ring Assembly	60.94	73.23
6	400007Z	XF Series Replacement Basket	38.11	45.79
7	35505-1440	Lid/Locking Ring O-Ring	20.44	24.56
8	192115Z	Drain Plug O-Ring	CALL	CALL
9	357161Z	Drain Plug	CALL	CALL
10	410001	2.5 in. C-Clip Locking Ring	7.72	9.28
11	410002	2.5 in. Union Adapter without Tap	36.56	43.93
12	411000	2.5 in. Union Nut	21.20	25.47
13	410016Z	2.5 in. Seal Kit - (Includes two)	13.05	15.68
14	350336	Diffuser O-Ring	3.60	4.33
15	353323	Diffuser Screw	3.60	4.33
16	See chart on next page	Diffuser		
17	37337-6080	Impeller Reverse Screw	21.22	25.50

Item	Part No.	Description	US List	Can. List
18	33455-1047	Impeller Reverse Screw O-Ring	CALL	CALL
19	351446	Seal Plate O-Ring	6.87	8.25
20	See chart on next page	Impeller Assembly		
21	17351-0101S	Mechanical Seal Assembly	28.74	34.53
22	401002	Seal Plate	228.90	275.05
23	072184	Flat Washer	1.69	2.03
24	U43-12SS	Split Lock Washer	2.92	3.51
25	071413	Acorn Nut	1.34	1.61
26	401004Z	Motor Base	42.27	50.79
27	See chart on next page	Motor		
NOT SHOWN				
	400030Z	Hardware and O-Rings Kit	69.27	83.23
	400032Z	Seal Plate Kit w/ Mechanical Seal	221.68	266.37
	400012	Riser Plate XF to Challenger	73.13	87.87
	401014Z	Motor End Cap and Screw	28.65	34.43
	357924Z	Fan Guard Kit TEFC/Super-Duty	CALL	CALL

CALIFORNIA PROPOSITION 65 WARNING

⚠ **WARNING:** Cancer and Reproductive Harm.
 ⚠ **AVERTISSEMENT:** Peut Causer le Cancer et des Dommages au Système Reproducteur.
 ⚠ **ADVERTENCIA:** Cáncer y Daño Reproductivo.
www.p65warnings.ca.gov

MAX-E-PROXF® SERIES PUMP (CONT'D)

REPLACEMENT PARTS



Item	Part No.	Description	US List	Can. List
IMPELLERS				
20	400020Z	XFET-8	128.74	154.69
20	400015	XFET-12	139.51	167.64
20	400023Z	XFET-20	150.22	180.50
20	400020Z	XF-8	128.74	154.69
20	400015	XF-12	139.51	167.64
20	400020Z	XFE-8	128.74	154.69
20	400015	XFE-12	139.51	167.64
20	400023Z	XFE-20	150.22	180.50
20	400020Z	XFDS-8	128.74	154.69
20	400015	XFDS-12	139.51	167.64
20	400020Z	XFDS-30	128.74	154.69
20	400020Z	XF-30	128.74	154.69
20	400020Z	XFE-30	128.74	154.69
20	400020Z	XFJ-8	128.74	154.69
20	400015	XFJ-12	139.51	167.64
20	400023Z	XFJ-20	150.22	180.50
20	400020Z	XFK-8	128.74	154.69
20	400015	XFK-12	139.51	167.64
20	400023Z	XFK-20	150.22	180.50

MOTORS				
27	354816S	2hp 1-Phase TEFC 208-230V	CALL	CALL
27	354818S	3hp 1-Phase TEFC 208-230V	CALL	CALL
27	354820S	5hp 1-Phase TEFC 208-230V	CALL	CALL
27	355027S	2hp Standard E 230V	CALL	CALL
27	355034S	3hp Standard E 230V	CALL	CALL
27	355015S	2hp High Eff 208-230V	CALL	CALL
27	355017S	3hp High Eff 208-230V	CALL	CALL
27	353319S	5hp High Eff 208-230V	CALL	CALL
27	359527S	2hp 2 Speed 230V	CALL	CALL
27	353318S	3hp 2 Speed 230V	CALL	CALL
27	359527S	2.5hp Uprated 2 Speed 230V	CALL	CALL
27	355027S	2.5hp Uprated Standard E 230V	CALL	CALL
27	355015S	2.5hp Uprated High E 208-230V	CALL	CALL
27	354810S	2hp 3 Phase 208-230-460V	CALL	CALL
27	354812S	3hp 3 Phase 208-230-460V	CALL	CALL
27	354814S	5hp 3 Phase 208-230-460V	CALL	CALL

Item	Part No.	Description	US List	Can. List
DIFFUSERS				
16	400010	XFET-8	100.17	120.36
16	400010	XFET-12	100.17	120.36
16	400011Z	XFET-20	108.12	129.92
16	400010	XF-8	100.17	120.36
16	400010	XF-12	100.17	120.36
16	400010	XFE-8	100.17	120.36
16	400010	XFE-12	100.17	120.36
16	400011Z	XFE-20	108.12	129.92
16	400010	XFDS-8	100.17	120.36
16	400010	XFDS-12	100.17	120.36
16	400010	XFDS-30	100.17	120.36
16	400010	XF-30	100.17	120.36
16	400010	XFE-30	100.17	120.36
16	400010	XFJ-8	100.17	120.36
16	400010	XFJ-12	100.17	120.36
16	400011Z	XFJ-20	108.12	129.92
16	400010	XFK-8	100.17	120.36
16	400010	XFK-12	100.17	120.36
16	400011Z	XFK-20	108.12	129.92

POWER ENDS				
2	401632Z	2hp 1-Phase TEFC 208-230V	1375.29	1652.55
2	401633Z	3hp 1-Phase TEFC 208-230V	1650.66	1983.43
2	401634Z	5hp 1-Phase TEFC 208-230V	1782.17	2141.46
2	401612Z	2hp Standard E 230V	1265.21	1520.28
2	401613Z	3hp Standard E 230V	1353.49	1626.35
2	401609Z	2hp High Eff 208-230V	1285.33	1544.45
2	401610Z	3hp High Eff 208-230V	1542.69	1853.70
2	401611Z	5hp High Eff 208-230V	1643.51	1974.84
2	401607Z	2hp 2 Speed 230V	1418.70	1704.71
2	401608Z	3hp 2 Speed 230V	1557.89	1871.96
2	401607Z	2.5hp Uprated 2 Speed 230V	1418.70	1704.71
2	401612Z	2.5hp Uprated Standard E 230V	1265.21	1520.28
2	401609Z	2.5hp Uprated High E 208-230V	1285.33	1544.45
2	401617Z	2hp 3 Phase 208-230-460V	CALL	CALL
2	401618Z	3hp 3 Phase 208-230-460V	CALL	CALL
2	401619Z	5hp 3 Phase 208-230-460V	CALL	CALL

Note: Pumps and replacement motors that are single speed and one (1) Total HP or greater cannot be sold, offered for sale, or installed in a residential pool for filtration use in California, Title 20 CCR sections 1601-1609.

CALIFORNIA PROPOSITION 65 WARNING

▲ **WARNING:** Cancer and Reproductive Harm.
▲ **AVERTISSEMENT:** Peut Causer le Cancer et des Dommages au Système Reproducteur.
▲ **ADVERTENCIA:** Cáncer y Daño Reproductivo.

www.p65warnings.ca.gov
P# 201714

MAX-E-PRO® SERIES PUMP

REPLACEMENT PARTS

Box A

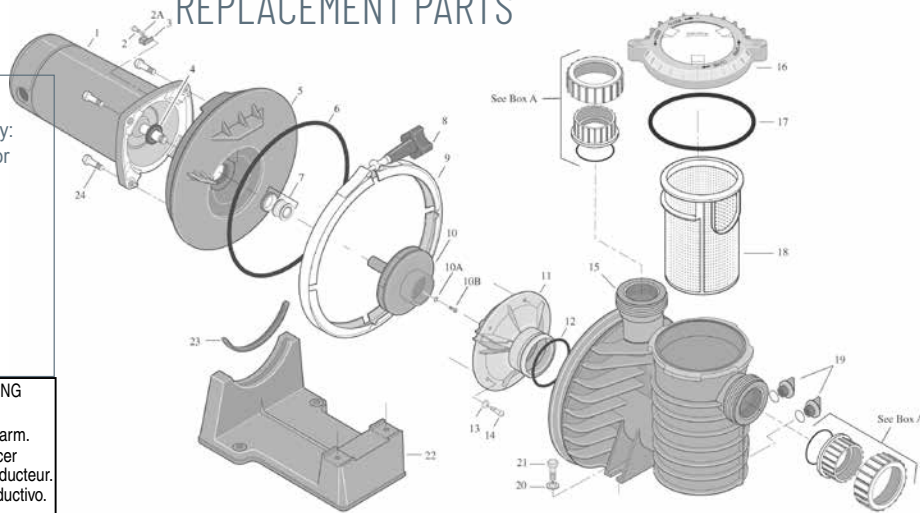
For quick disconnect pipe connections, purchase separately:
Pkg. 188 2 in. Slip 1/2 Union Kit or
Pkg. 189 2 in. NPT 1/2 Union Kit.

Includes 2 each:
U11-200P Union Collar
U9-362 O-Ring

U11-196P 2 in. Slip adapter or
U11-199P 2 in. NPT adapter.

CALIFORNIA PROPOSITION 65 WARNING

⚠ WARNING: Cancer and Reproductive Harm.
⚠ AVERTISSEMENT: Peut Causer le Cancer
et des Dommages au Système Reproducteur.
⚠ ADVERTENCIA: Cáncer y Daño Reproductivo.
www.p65warnings.ca.gov



Model No.	HP	Motor No. (Item No. 1)	Impeller (Item No. 10)	Diffuser (Item No. 11)	Motor Base/Pad
1 PHASE 60 HZ PUMPS - TEFC 1-Speed					
348150	1	354822S	C105-238PB	C1-271P1	Note 6
348151	1-1/2	354824S	C105-238PDBA	C1-271P	Note 6
348152	2	354816S	C105-238PEBA	C1-271P	Note 6
348153	3	354818S	C105-238PLA	C1-271P	Note 6
1 PHASE 60 HZ PUMPS - 115/230 V 1-Speed					
P6E6C-204L	1/2	AE100CHL	C105-238PX	C1-271P1	Note 5
P6E6D-205L	3/4	AE100DHL	C105-238P	C1-271P1	Note 5
P6R6D-205L	3/4	355021S	C105-238P	C1-271P1	Note 6
P6E6E-206L	1	AE100EHL	C105-238PB	C1-271P1	Note 5
P6EA6E-205L	1	AE100ELL	C105-238P	C1-271P1	Note 5
P6RA6E-205L	1	355021S	C105-238P	C1-271P1	Note 6
P6R6E-206L	1	355023S	C105-238PB	C1-271P1	Note 6
P6EA6F-206L	1-1/2	AE100FLL	C105-238PB	C1-271P1	Note 5
P6RA6F-206L	1-1/2	355023S	C105-238PB	C1-271P1	Note 6
P6R6F-207L	1-1/2	355025S	C105-238PDBA	C1-271P	Note 6
1 PHASE 60 HZ PUMPS - 230V 1-Speed					
P6E6F-207L	1-1/2	AE100FHL	C105-238PDBA	C1-271P	Note 5
P6EAA6F-216L	1-3/4	AE100F5LL	C105238PDCA	C1-271P	Note 5
P6RAA6F-216L	1-3/4	A100F5LL	C105-238PDCA	C1-271P	Note 5
P6E6G-208L	2	AE100GHL	C105-238PEBA	C1-271P	Note 5
P6EA6G-207L	2	355025S	C105-238PDBA	C1-271P	Note 5
P6RA6G-207L	2	AE100GHL	C105-238PDBA	C1-271P	Note 6
P6R6G-208L	2	355027S	C105-238PEBA	C1-271P	Note 6
P6EAA6G-208L	2-1/2	AE100G5LL	C105-238PEBA	C1-271P	Note 5
P6E6H-209L	3	AE100HLL	C105-238PLA	C1-271P	Note 6
P6R6H-209L	3	355034S	C105-238PLA	C1-271P	Note 6

Note: Pumps and replacement motors that are single speed and one (1) Total HP or greater cannot be sold, offered for sale, or installed in a residential pool for filtration use in California, Title 20 CCR sections 1601-1609.

MAX-E-PRO® SERIES PUMP (CONT'D)

REPLACEMENT PARTS



Model No.	HP	Motor No. (Item No. 1)	Impeller (Item No. 10)	Diffuser (Item No. 11)	Motor Base/Pad
1 PHASE 60 HZ PUMPS - 2-Speed					
P6RA6YF-206L	1-1/2 (Hi Speed), 1/4 (Low Speed)	A100FLL-Y	C105-238PBA ³	C1-271P1	Note 5
P6RA6YG-207L	2 (Hi Speed), 1/3 (Low Speed)	AE100GLL-Y	17307-0116 ⁵ , C105-238PDBA	C1-271P	Note 5
3 PHASE 60 HZ PUMPS - 208-230/460 - TEFC					
345076	1	354806S	C105-238PBA ⁴	C1-271P1	Note 6
345077	1-1/2	354808S	C105-238PDBA ⁴	C1-271P	Note 6
345078	2	354810S	C105-238PEBA ⁴	C1-271P	Note 6
345079	3	354812S	C105-238PLA ⁴	C1-271P	Note 6
3 PHASE 60 HZ PUMPS - 200/400v 1 Speed					
P6R62D3-186	3/4	AP100DH2	C105-238A ⁴	C1-271P1	Note 5
P6R62E3-187	1	AP100EH2	C105-238PBA ³	C1-271P1	Note 5
P6R62F3-188	1-1/2	AP100FH2	C105-238PDBA ⁴	C1-271P	Note 5
P6R62G3-189	2	AP100GH2	C105-238PEBA ⁴	C1-271P	Note 5

Model No.	HP	Motor No. (Item No. 1)	Impeller (Item No. 10)	Diffuser (Item No. 11)	Motor Base/Pad
575 Volts, 3-Phase Models:					
P6EA6D36-204	3/4	16502-0024S	C105-238PX ⁴ A	C1-271P1	Note 6
P6EA6E36-205	1	16503-0024S	C105-238P ⁴ A	C1-271P1	Note 6
P6EA6F36-206	1-1/2	62001-1019S	C105-238PBA ⁴	C1-271P1	Note 5
P6EA6G36-207	2	62003-2087	C105-238PDBA ⁴	C1-271P	Note 5
P6E6H36-209	3	62001-1021S	C105-238PLA ⁴	C1-271P1	Note 6

Item	Part No.	Description	US List	Can. List
MAX-E-PRO SERIES REPLACEMENT PARTS				
1	Chart	Motor		
2	U30-692SS	#10-32 x 1/2 in. Screw	2.27	2.73
2A	U43-22SS	Lock Washer	2.04	2.45
3	U17-568	Bonding Lug	11.98	14.40
4	17351-0009	Water Slinger	2.07	2.49
5	C203-194P	Seal Plate Kit (Incl. Part Nos. 6, 7)	184.25	221.39
6	U9-228AZ	O-Ring (Round)	CALL	CALL
6	357099Z	O-Ring (Square)	11.29	13.57
7	17351-0101S	Shaft Seal, EDPM black	28.74	34.53
8	WC36-22	Clamp Knob	14.10	16.94
9	C19-37A	Clamp	114.78	137.92
10	Chart	Impeller		
10A	35505-1426	Impeller Screw O-Ring	1.15	1.38
10B	Chart	Impeller Screw		
11	Chart	Diffuser		
12	U9-374Z	Diffuser O-Ring	CALL	CALL
12	357098Z	Diffuser O-Ring (Blue Coating)	6.34	7.62
13	U43-21SS	#8 Lock Washer	1.87	2.25
14	U30-542SS	Screw (w/ C1-271P1 Diffuser)	2.41	2.90
15	17307-0110S	Tank Body Assembly ²	341.91	410.84

Item	Part No.	Description	US List	Can. List
16	17307-0111S	Trap Cover Assembly ¹	77.32	92.91
17	35505-1440	Trap O-Ring	20.44	24.56
18	C8-58PZ	Basket	CALL	CALL
19	U178-920PZ	1/4 in. NPT Drain Plug	CALL	CALL
19	U9-359	Drain Plug O-Ring	0.83	1.00
20	U43-41SSZ	Base Washer	CALL	CALL
21	U30-918SS	Base Screw	5.43	6.52
22	C4-78P	Base	49.95	60.02
22	C104-79P	Base w/ Motor Pad	51.12	61.43
23	C35-43	Motor Pad	5.99	7.20
23	C35-44	Motor Pad	8.84	10.62
24	U30-74SS	3/8-16 x 1 in. Hex Hd. Screw	4.83	5.80
	357924Z	Fan Guard Kit TEFC/Super-Duty	CALL	CALL

- ¹ Includes Trap Cover, Trap Ring and Trap Cover O-Ring
- ² Includes Trap Body, Basket, Drain Plugs, and Trap Cover Assembly
- ³ Uses Key No. 10B Impeller Screw No. 37337-6080
- ⁴ Uses Key No. 10B Impeller Screw No. 37337-6081
- ⁵ Uses base C4-78P and motor pad C35-43
- ⁶ Uses base C104-79P and includes motor pad C35-44

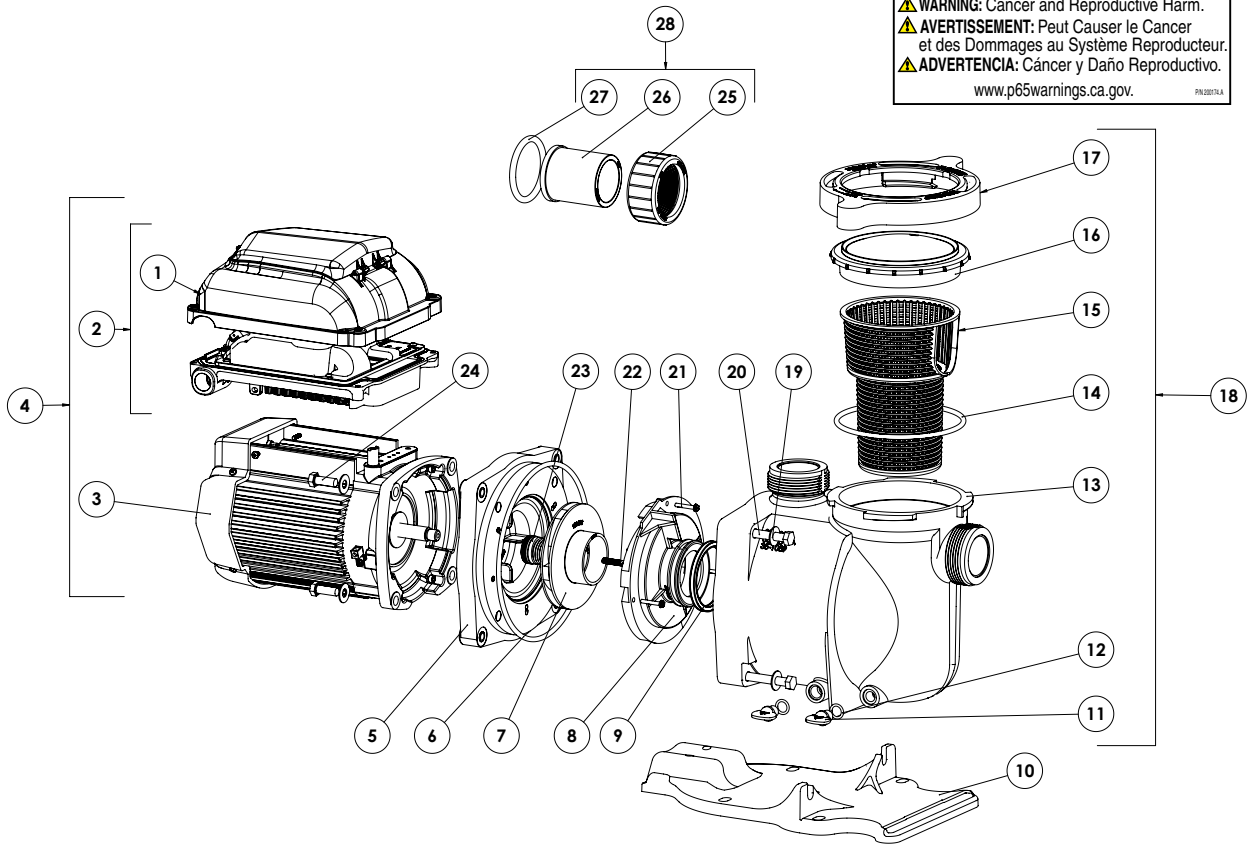
Note: Pumps and replacement motors that are single speed and one (1) total HP or greater cannot be sold, offered for sale, or installed in a residential pool for filtration use in California, Title 20 CCR sections 1601-1609.

SUPERMAX® VS VARIABLE SPEED PUMP

REPLACEMENT PARTS



CALIFORNIA PROPOSITION 65 WARNING
 ⚠️ **WARNING:** Cancer and Reproductive Harm.
 ⚠️ **AVERTISSEMENT:** Peut Causer le Cancer et des Dommages au Système Reproducteur.
 ⚠️ **ADVERTENCIA:** Cáncer y Daño Reproductivo.
www.p65warnings.ca.gov P182015A



Item	Part No.	Description	US List	Can. List
SUPERMAX VS VARIABLE SPEED PUMP				
1	353124	Drive Cover	327.37	393.37
2	353128	Drive/Cover Kit	900.24	1081.73
3	353135S	Motor	605.62	727.71
4	353133S	Motor/Drive Assy	CALL	CALL
5	355612	Sealplate ⁴	96.04	115.40
6	355619Z	Sealplate Gasket	CALL	CALL
7	355086	Impeller ¹	62.34	74.91
8	355618	Diffuser ²	105.79	127.12
9	355030Z	Diffuser Seal ³	CALL	CALL
10	351094	Base	106.09	127.48
11	357161Z	Drain Plug	CALL	CALL
12	192115Z	O-Ring Drain Plug	CALL	CALL
13	351089	Volute	301.55	362.34
14	357255Z	O-Ring, Lid #2-357	CALL	CALL
15	355667	Basket	23.98	28.81
16	350091	Lid, See Through	35.80	43.02

Item	Part No.	Description	US List	Can. List
17	351090	Clamp, Cam And Ramp	44.62	53.62
18	353110	Volute Assembly (Includes Items 11-17)	415.59	499.37
19	072184	Washer 3/8 In. Ss, 8 Req.	1.69	2.03
20	355621	Screw 3/8-16 X 2 1/4 Hex Head, 4 Req.	5.51	6.62
21	355334Z	Screw #8-32 Hex Washer Head, 3 Req.	CALL	CALL
22	355389	Screw, Impeller Locking	1.69	2.03
23	354545	Seal Set	CALL	CALL
24	U30-74SS	Hex Head Screw 3/8-16 SS, 4 Req.	4.83	5.80
25	270141	Nut, 2 Req.	21.47	25.80
26	350093	Adapter, 2 Req.	20.04	24.08
27	6020018	O-Ring Adapter #2-226, 2 Req.	0.38	0.46
28	351157	Superflo Union Kit (Contains 2X Items 26-28)	93.25	112.05
	353129Z	Kit Dig Input 25' Superflo/ Supermax (Not shown)	98.20	118.00
	357924Z	Fan Guard Kit (Not Shown)	CALL	CALL

¹ After June 2019 use C105-238PDCA

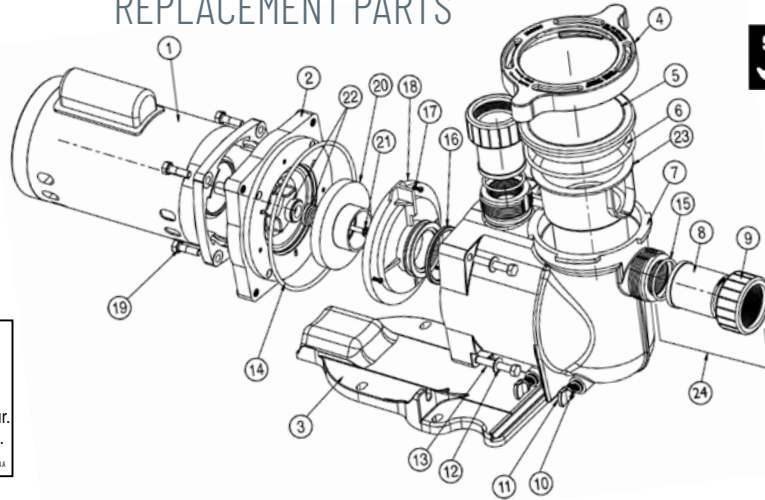
² After June 2019 use 355949

³ After June 2019 use 355331Z

⁴ After June 2019 use 356072

SUPERMAX® PUMP

REPLACEMENT PARTS



CALIFORNIA PROPOSITION 65 WARNING
 ⚠️ **WARNING:** Cancer and Reproductive Harm.
 ⚠️ **AVERTISSEMENT:** Peut Causer le Cancer et des Dommages au Système Reproducteur.
 ⚠️ **ADVERTENCIA:** Cáncer y Daño Reproductivo.
 www.p65warnings.ca.gov. PH20274A

Item	Part No.	Description	US List	Can. List
SINGLE SPEED SUPERMAX MOTORS				
1	354804S	3/4HP, 1SP, 1PH, TEFC, 115/208-230	CALL	CALL
1	354822S	1HP, 1SP, 1PH, TEFC, 115/208-230	CALL	CALL
1	354824S	1-1/2HP, 1SP, 1PH, TEFC, 208-230	CALL	CALL
1	354816S	2HP, 1SP, 1PH, TEFC, 208-230	CALL	CALL
1	355019S	1/2 HP Motor, SQFL, 1 sp, 1 ph, 60 hz, 115/208-230, Black	CALL	CALL
1	355019S	3/4 HP Motor, SQFL, 1 sp, 1 ph, 60 hz, 115/208-230, Black	CALL	CALL
1	355021S	1 HP Motor, SQFL, 1 sp, 1 ph, 60 hz, 2115/208-230, Black	CALL	CALL
1	355023S	1-1/2 HP Motor, SQFL, 1 sp, 1 ph, 60 hz, 115/208-230, black	CALL	CALL
1	355025S	2 HP Motor, SQFL, 1 sp, 1 ph, 60 hz, 115/208-230, Black	CALL	CALL
1	355027S	2-1/2 HP Motor, SQFL, 1 sp, 1 ph, 60 hz, 208-230, Black	CALL	CALL
2 SPEED SUPERMAX MOTORS				
1	355232S	1 HP Motor, SQFL, 2 sp, 1 ph, 60 hz, 230V, Black	CALL	CALL
1	355376S	1-1/2 HP Motor, SQFL, 2 sp, 1 ph, 60 hz, 230V, Black	CALL	CALL
1	355377S	2 HP Motor, SQFL, 2 sp, 1 ph, 60 hz, 230V, Black	CALL	CALL
EFFICIENT SUPERMAX MOTORS				
1	355009S	1/2 HP Motor SQFL, 1 Speed, 1 phase, 60 Hz, 115/208-230, black	CALL	CALL
1	355009S	3/4 HP Motor SQFL, 1 Speed, 1 phase, 60 Hz, 115/208-230, black	CALL	CALL
1	355009S	1 HP Motor SQFL, 1 Speed, 1 phase, 60 Hz, 115/208-230, black	CALL	CALL
1	355011S	1.5 HP Motor SQFL, 1 Speed, 1 phase, 60 Hz, 115/208-230, black	CALL	CALL
1	355013S	2 HP Motor SQFL, 1 Speed, 1 phase, 60 Hz, 208-230, black	CALL	CALL
1	355015S	2.5 HP Motor SQFL, 1 Speed, 1 phase, 60 Hz, 208-230, black	CALL	CALL
SUPERMAX PUMPS				
2	355612	Seal Plate, Black	96.04	115.40
3	351094	Base, Black	106.09	127.48
4	351090	Clamp, Ramp & Cam, Black	44.62	53.62
5	350091	Lid	35.80	43.02
6	357255Z	O-ring, Lid #2-357	CALL	CALL
7	351089	Volute, Black	301.55	362.34
8	350093	Adapter, 2 req.	20.04	24.08

Item	Part No.	Description	US List	Can. List
9	270141	Nut, 2 req.	21.47	25.80
10	192115Z	O-Ring Drain Plug, 2 req.	CALL	CALL
11	357161Z	Drain Plug, 2 req.	CALL	CALL
12	355621	Screw 3/4-16 x 2-1/4 HEX HD, 4 req.	5.51	6.62
13	072184	Washer 3/8 in. S/S, 4 req.	1.69	2.03
14	355619Z	O-Ring Seal Bracket	CALL	CALL
15	6020018	O-Ring Adapter #2-226, 2 req.	0.38	0.46
16	355030Z	Seal Diffuser	CALL	CALL
17	355334Z	Screw #8-32 HEX Washer HD, 3 req.	CALL	CALL
SUPERMAX DIFFUSERS				
18	355617	Diffuser, 1/2 HP	105.79	127.12
18	355617	Diffuser, 3/4 HP	105.79	127.12
18	355617	Diffuser, 1 HP	105.79	127.12
18	355618	Diffuser, 1-1/2 HP	105.79	127.12
18	355618	Diffuser, 2 HP	105.79	127.12
18	350170	Diffuser, 2-1/2 HP	104.19	125.19
19	070429ZZ	Bolt 3/8-16 x 7/8 SS Hex Cap 18-8, 4 req.	CALL	CALL
SUPERMAX IMPELLERS				
20	355043	Impeller 1/2 HP	59.99	72.08
20	355043	Impeller 3/4 HP	59.99	72.08
20	355067	Impeller 1 HP	61.18	73.51
20	355074	Impeller 1-1/2 HP	61.90	74.38
20	355086	Impeller 2 HP	62.34	74.91
20	355093	Impeller 2-1/2 HP	63.47	76.27
20	355067	Impeller 1 HP, 2-SPD	61.18	73.51
20	355074	Impeller 1-1/2 HP, 2-SPD	61.90	74.38
20	355086	Impeller 2 HP, 2-SPD	62.34	74.91
21	355389	Screw, Impeller Locking	1.69	2.03
22	354545S	Seal Set	31.55	37.91
23	355667	Basket, Large	23.98	28.81
24	351157	SuperMax Union Kit (includes 2 of Items 8, 9, & 15)	93.25	112.05
NOT SHOWN				
	79129900	2-Speed Toggle Switch	53.80	64.65
	401014Z	Motor End Cap and Screw	28.65	34.43
	357924Z	Fan Guard Kit TEFC/Super-Duty	CALL	CALL

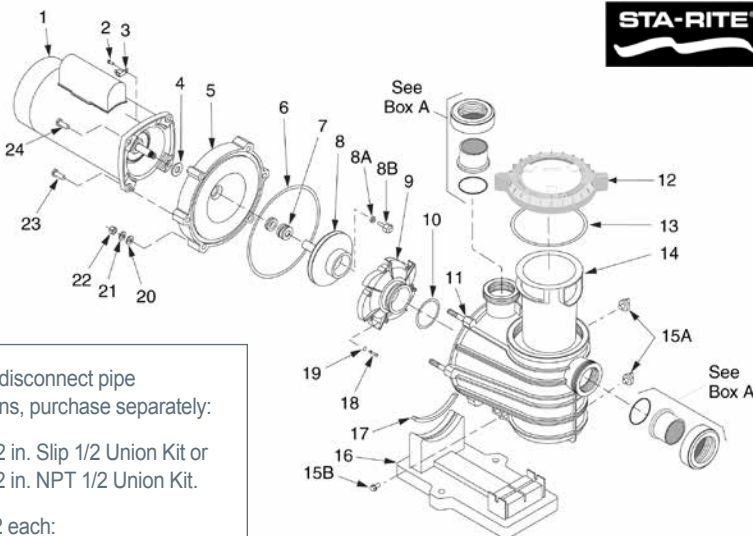
Note: Pumps and replacement motors that are single speed and one (1) total HP or greater cannot be sold, offered for sale, or installed in a residential pool for filtration use in California, Title 20 CCR sections 1601-1609.

DYNA-PRO® / DYNA-PRO E PUMPS

1/2 THROUGH 2-1/2 HP MODELS, SINGLE SPEED AND TWO SPEED REPLACEMENT PARTS

Motor Chart

Single Speed 115/230/60/1		
MPRA6D-204L	3/4	A100DLL
MPRA6E-205L	1	A100ELL
MPRA6F-206L	1-1/2	A100FLL
MPEA6D-204L	3/4	AE100DLL
MPEA6E-205L	1	AE100ELL
MPEA6F-206L	1-1/2	AE100FLL
MPE6C-204L	1/2	AE100CHL
MPE6D-205L	3/4	AE100DHL
MPE6E-206L	1	AE100EHL
230/60/1		
MPRA6G-207L	2	A100GLL
MPEA6G-207L	2	AE100GLL
MPEAA6G-208L	2-1/2	AE100G5LL
MPE6F-207L	1-1/2	AE100FHL
MPE6G-208L	2	AE100GHL
Two Speed 230/60/1		
MPRA6YF-206L	1-1/2	A100FLL-Y
MPEA6YG-207L	2	AE100GLL-Y
MPEAA6YG-208L	2-1/2	AE100G5LL-Y
MPE6YF-207L	1-1/2	AE100GLL-Y
MPE6YG-208L	2	AE100G5LL-Y



Box A

For quick disconnect pipe connections, purchase separately:
 Pkg. 188 2 in. Slip 1/2 Union Kit or
 Pkg. 189 2 in. NPT 1/2 Union Kit.

Includes 2 each:
 U11-200P Union Collar
 U9-362 O-Ring

U11-196P 2 in. Slip adapter or
 U11-199P 2 in. NPT adapter.

CALIFORNIA PROPOSITION 65 WARNING

⚠️ **WARNING:** Cancer and Reproductive Harm.
 ⚠️ **AVERTISSEMENT:** Peut Causer le Cancer et des Dommages au Système Reproducteur.
 ⚠️ **ADVERTENCIA:** Cáncer y Daño Reproductor.
www.p65warnings.ca.gov P8/2017A

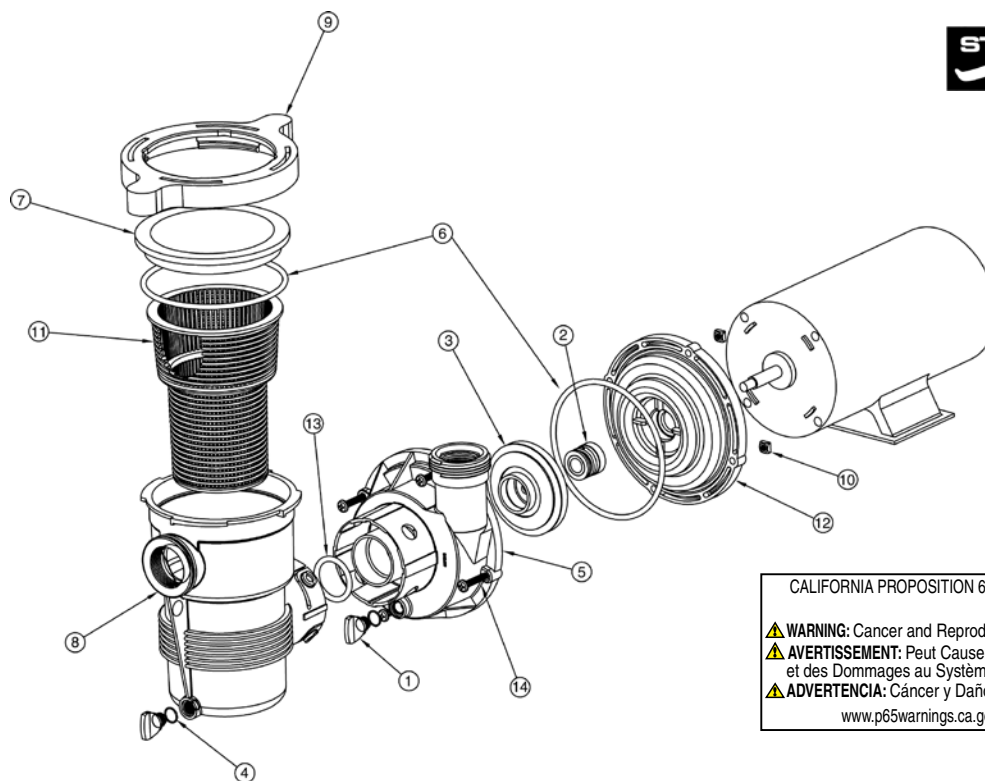
Item	Part No.	Description	US List	Can. List
DYNA-PRO REPLACEMENT PARTS				
2	U30-692SS	Screw #10-32 x 1/2 in.	2.27	2.73
3	U17-568	Bonding Lug	11.98	14.40
4	17351-0009	Slinger	2.07	2.49
5	C3-184P	Seal Plate	129.30	155.37
6	U9-373Z	Seal Plate Cord Ring	CALL	CALL
7	17351-0101S	Shaft Seal	28.74	34.53
8	C105-236P	Impeller, 1/2 HP - Models MPEA6D-204L, MPE6C-204L, MPRA6D-204L	52.20	62.72
8	C105-236PB	Impeller, 1 HP - Models MPEA6E-205L, MPE6D-205L, MPRA6E-205L, MPRA6E-147L, MPRA6E-147LC	52.20	62.72
8	C105-236PC	Impeller, 1-1/2 HP - Models MPEA6F-206L, MPE6E-206L, MPRA6F-206L, MPRA6YF-206L,	52.20	62.72
8	C105-236PDA	Impeller, 2 HP - Models MPEA6G-207L, MPE6F-207L, MPEA6YG-207L, MPE6YF-207L, MPRA6G-207	52.20	62.72
8	C105-236PEA	Impeller, 2-1/2 HP - Models MPEAA6G-208L, MPA6G-208L, MPEAA6YG-208L, MPE6G-208L	52.20	62.72
8A	33455-1047	Gasket, Models MPEA6G-207L, MPE6F-207L, MPEA6YG-207L, MPE6YF-207L, MPRA6G-207	CALL	CALL
8A	33455-1047	Gasket, Models MPEAA6G-208L, MPA6G-208L, MPEAA6YG-208L, MPE6G-208L	CALL	CALL
8B	37337-6080	Impeller Lock Screw, Models MPEA6G-207L, MPE6F-207L, MPEA6YG-207L, MPE6YF-207L, MPRA6G-207	21.22	25.50
8B	37337-6080	Impeller, Models MPEAA6G-208L, MPA6G-208L, MPEAA6YG-208L, MPE6G-208L	21.22	25.50

Item	Part No.	Description	US List	Can. List
9	C1-270PB	Diffuser - 1/2 HP	32.35	38.87
9	C1-270PC	Diffuser - 1 HP	32.35	38.87
9	C1-270P	Diffuser - 1-1/2 HP	32.35	38.87
9	C1-270P	Diffuser - 2 HP	32.35	38.87
9	C1-270P	Diffuser - 2-1/2 HP	32.35	38.87
10	U9-374Z	Diffuser O-Ring	CALL	CALL
10	357098Z	Diffuser O-Ring (Blue Coating)	6.34	7.62
11	C76-71P	Tank and Trap Body (Only)	300.67	361.29
12	17307-0111S	Lid and Locking Ring Assembly	77.32	92.91
13	35505-1440	Trap Cover O-Ring	20.44	24.56
14	C8-58PZ	Trap Basket	CALL	CALL
15A	U178-920PZ	Drain Plug	CALL	CALL
15B	U30-919SS	Mounting Screw 5/16-14 x 5/8 in.	4.81	5.78
16	C4-77P	Base - Plastic	54.66	65.68
17	C35-45	Motor Pad - for Plastic Base	4.99	6.00
18	U30-542SS	Screw #8-32 x 7/8 in. Rd. Hd.	2.41	2.90
19	U43-21SS	Lock Washer #8 Ext. Tooth.	1.87	2.25
20	U43-62SS	Flat Washer 3/8 in.	1.87	2.25
21	U43-12SS	Lock Washer 3/8 in.	2.92	3.51
22	071403	Nut 3/8-16 Hex	1.69	2.03
23	U30-75SS	Cap Screws 3/8-16 x 1-1/4 in. Hex. (LS Suffix)	3.06	3.68
24	U30-74SS	Cap Screws 3/8-16 x 1 in. Hex.	4.83	5.80

Note: Pumps and replacement motors that are single speed and one (1) Total HP or greater cannot be sold, offered for sale, or installed in a residential pool for filtration use in California, Title 20 CCR sections 1601-1609.

OPTIFLO® PUMP

PENTAIR AND STA-RITE REPLACEMENT PARTS



CALIFORNIA PROPOSITION 65 WARNING
 ⚠️ WARNING: Cancer and Reproductive Harm.
 ⚠️ AVERTISSEMENT: Peut Causer le Cancer et des Dommages au Système Reproducteur.
 ⚠️ ADVERTENCIA: Cáncer y Daño Reproductivo.
www.p65warnings.ca.gov PH200714

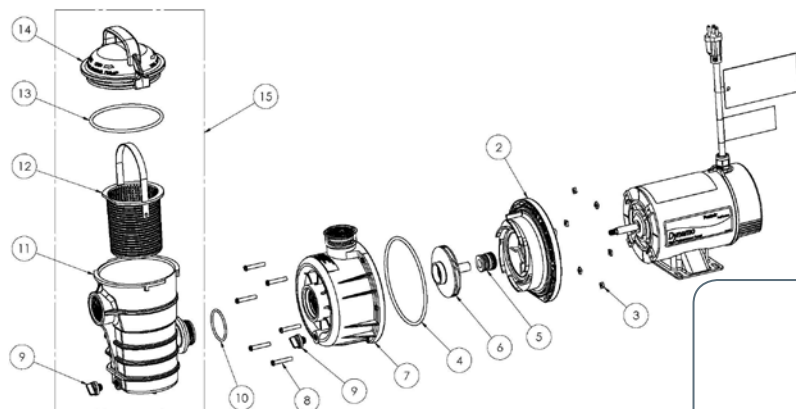
Item	Part No.	Description	US List	Can. List
OPTIFLO PUMPS				
1	357161Z	Drain plug	CALL	CALL
2	354545S	Mechanical seal	31.55	37.91
3	350017	Impeller, 1 HP	66.53	79.94
3	354552	Impeller, 3/4 HP	32.50	39.05
3	350018	Impeller, 1-1/2 HP	70.51	84.72
4	192115Z	O-ring	CALL	CALL
5	357213	Volute ¹	30.33	36.44
6	357255Z	O-ring 2-357	CALL	CALL
7	357227	Lid	13.15	15.80
7	357323	Lid, Chemical Resistant	CALL	CALL
8	357228	Pot ¹	27.13	32.60
9	357239	Clamp ring	15.91	19.12
10	357254	1/4-20 Square nut	1.56	1.87
11	355667	Basket	23.98	28.81
12	357215	Seal plate	37.63	45.22
13	350103	O-ring 2-130	6.08	7.31
14	98209000	1/4-20 x 1-1/2 Machine screw	2.25	2.70
NOT SHOWN				
	79137800	3 ft. cord - standard	70.91	85.21
	155234	3 ft. cord - TW	86.40	103.82

¹ Includes drain plugs.

Note: Pumps and replacement motors that are single speed and one (1) Total HP or greater cannot be sold, offered for sale, or installed in a residential pool for filtration use in California, Title 20 CCR sections 1601-1609.

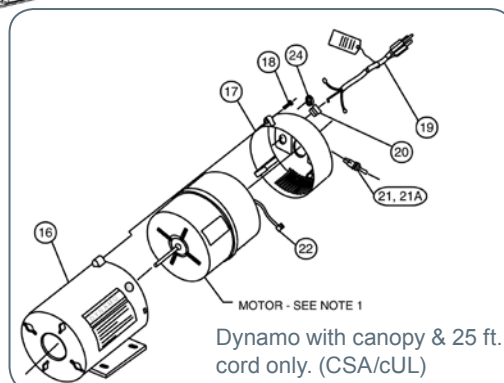
DYNAMO® PUMP

PENTAIR AND STA-RITE REPLACEMENT PARTS



CALIFORNIA PROPOSITION 65 WARNING

⚠ **WARNING:** Cancer and Reproductive Harm.
 ⚠ **AVERTISSEMENT:** Peut Causer le Cancer et des Dommages au Système Reproducteur.
 ⚠ **ADVERTENCIA:** Cáncer y Daño Reproductivo.
www.p65warnings.ca.gov



Item	Part No.	Description	US List	Can. List
DYNAMO PUMPS				
MOTORS				
2	354632	Diffuser, 3/4 HP bracket	114.55	137.64
2	354633	Diffuser, 1, 1-1/2 HP bracket	114.55	137.64
3	354542	Nut, 10-24 SS, 6 req.	1.69	2.03
4	354634	O-ring, 3/16 in. bracket diffuser	8.89	10.68
5	354545S	Seal, 5/8 in. mechanical	31.55	37.91
6	353002	Impeller, 1/2 HP	39.94	47.99
6	354552	Impeller, 3/4 HP	32.50	39.05
6	355122	Impeller, 1 HP	37.71	45.31
7	354630	Housing, body	127.06	152.68
8	354541	Screw, 10-24-1-1/2 in. slotted hex, 6 req.	2.36	2.84
9	U178-920PZ	Drain plug assy. - 2 req.	CALL	CALL
10	273062	O-ring	1.77	2.13
11	354530	Pot	112.57	135.26
12	354548	Basket w/ handle	21.21	25.49
13	354533	O-ring, lid	9.92	11.92
14	354531	Lid, universal	62.87	75.54
14	354113	Chemical Resistant Lid	62.87	75.54
15	354103	Pot assembly	250.07	300.48

Item	Part No.	Description	US List	Can. List
DYNAMO WITH CANOPY AND 25 FT. CORD ONLY (CSA/cUL)				
16	354621	Body, motor enclosure	54.23	65.16
17	354881	Cap, motor enclosure (on/off)	70.55	84.77
17	354882	Cap, motor enclosure (two-speed)	70.55	84.77
18	154716	Screw, No.10 self tapping	0.81	0.97
19	155371	Cord, 25 ft.	85.34	102.54
20	41412700	Bushing connector	11.81	14.19
21	155187	Switch, on/off toggle (CSA)	24.16	29.03
21A	356546	Switch, three position toggle (Hi/Low/Off)	61.63	74.05
22	155193	Wire, 6 in. jumper	7.11	8.54
24	350024	Locknut, steel 1-1/2 in.	0.97	1.17
NOT SHOWN				
	352256	Nut, 1-1/2 in. quick connect, 2 req.	11.00	13.22
	354571	O-ring, 2 req.	3.84	4.61
	79137800	3 ft. cord standard assembly	70.91	85.21
	352245	Strain relief bushing for cords	4.66	5.60
	350444	Canopy switch assembly, on/off ¹	52.56	63.16
	350481	Canopy with on-off switch ²	52.55	63.14
	356546	Motor switch assembly, two-speed	61.63	74.05
	155380Z	Base CSA 4 in.	93.08	111.84
	155234	3 ft. cord TW	86.40	103.82
	79137800	3 ft. cord-standard	70.91	85.21

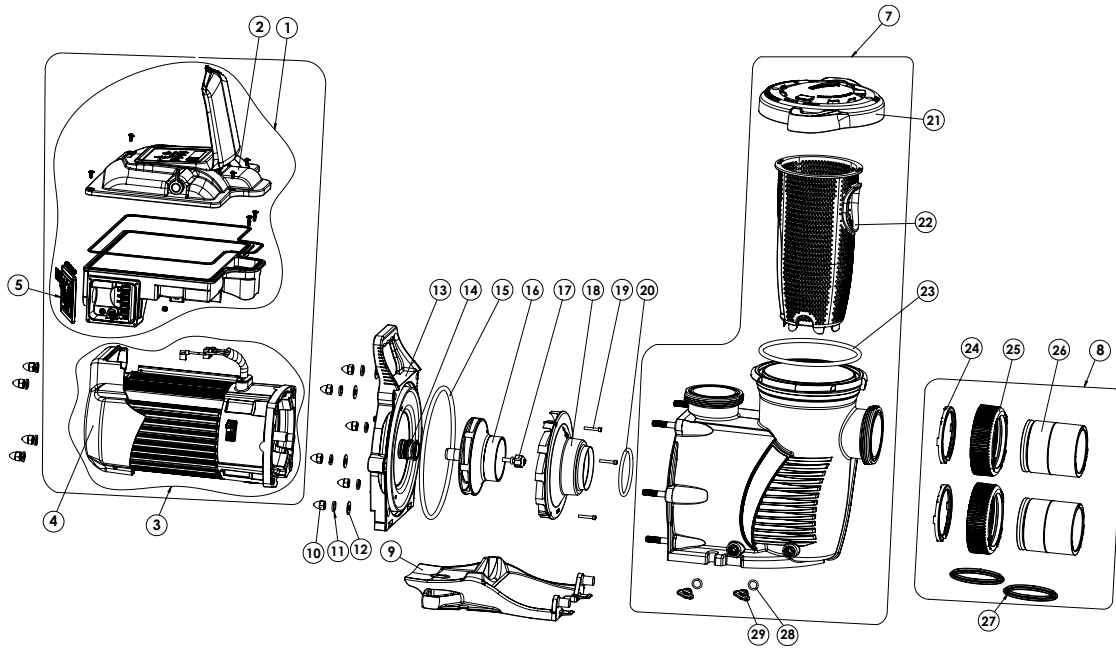
¹ Pumps manufactured before 4/13.

² Pumps manufactured after 4/13.

Note: Pumps and replacement motors that are single speed and one (1) Total HP or greater cannot be sold, offered for sale, or installed in a residential pool for filtration use in California, Title 20 CCR sections 1601-1609.

WHISPERFLOXF® VS PUMP

REPLACEMENT PARTS

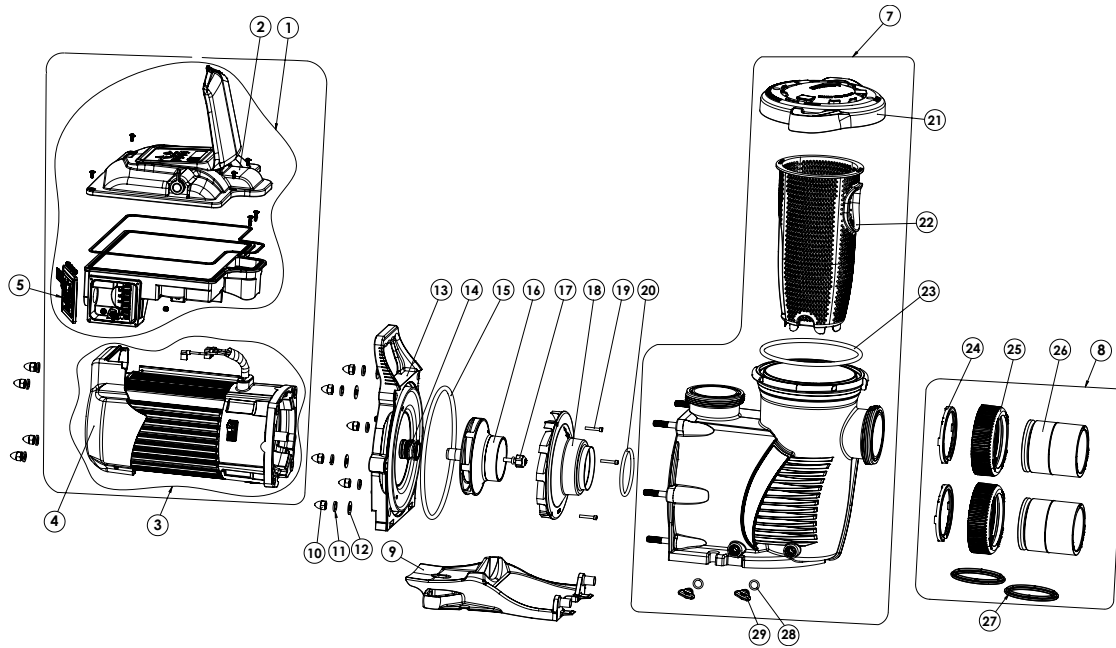


Item	Part No.	Description	US List	Can. List
WHISPERFLOXF VS PUMP				
1	358085	Drive Kit (includes drive, top cover, keypad cover and field wiring cover/screws)	CALL	CALL
2	358093	Top Cover Kit w/Screws	CALL	CALL
3	358089	Motor w/Fan Shroud	CALL	CALL
4	358095	Fan Shroud w/Screws	CALL	CALL
5	358091	Field Wiring Cover w/Screws	CALL	CALL
7	400000	Wet End Assembly	346.35	416.17
8	410020	Union Kit	157.79	189.60
9	400004Z	Motor Base	42.27	50.79
10	071413	Acorn Nut (Qty. 10)	1.34	1.61
11	U43-12SS	Lock Washer (Qty. 10)	2.92	3.51
12	072184	Flat Washer (Qty. 6)	1.69	2.03
13	400002	Seal Plate	228.90	275.05
14	17351-0101S	Mechanical Seal	28.74	34.53
15	351446	Seal Plate O-Ring	6.87	8.25
16	400023	Impeller	CALL	CALL
17	37337-6080	Impeller Set Screw	21.22	25.50

Item	Part No.	Description	US List	Can. List
WHISPERFLOXF VS PUMP				
18	400011	Diffuser	CALL	CALL
19	353323	Diffuser Screws	3.60	4.33
20	350336	Diffuser O-Ring	3.60	4.33
21	400006	Lid/Locking Ring Assembly	60.94	73.23
22	400007Z	Strainer Basket	38.11	45.79
23	35505-1440	Lid/Locking Ring O-Ring	20.44	24.56
24	410001	2.5 in. C-Clip Locking Ring (Qty. 2)	7.72	9.28
25	411000	2.5 in. Union Nut (Qty. 2)	21.20	25.47
26	410002	2.5 in. Union Adapter w/o Tap (Qty. 2)	36.56	43.93
27	410016Z	2.5 in. Diamond Seal Kit (Qty. 2)	13.05	15.68
28	192115Z	Drain Plug O-Rign (Qty. 2)	CALL	CALL
29	071131Z	Drain Plug (Qty. 2)	CALL	CALL
NOT SHOWN				
	353129Z	External Control Wiring Kit	98.20	118.00
	97014-4203KIT	3-inch Flowmeter Kit	CALL	CALL

MAX-E-PROXF® VS PUMP

REPLACEMENT PARTS



Item	Part No.	Description	US List	Can. List
MAX-E-PROXF VS PUMP				
1	358086	Drive Kit (includes drive, top cover, keypad cover and field wiring cover/screws)	CALL	CALL
2	358094	Top Cover Kit w/Screws	CALL	CALL
3	358090	Motor w/Fan Shroud	CALL	CALL
4	358096	Fan Shroud w/Screws	CALL	CALL
5	358092	Field Wiring Cover w/Screws	CALL	CALL
7	401000	Wet End Assembly	346.35	416.17
8	410020	Union Kit	157.79	189.60
9	400004Z	Motor Base	42.27	50.79
10	071413	Acorn Nut (Qty. 10)	1.34	1.61
11	U43-12SS	Lock Washer (Qty. 10)	2.92	3.51
12	072184	Flat Washer (Qty. 6)	1.69	2.03
13	401002	Seal Plate	228.90	275.05
14	17351-0101S	Mechanical Seal	28.74	34.53
15	351446	Seal Plate O-Ring	6.87	8.25
16	400023	Impeller	CALL	CALL
17	37337-6080	Impeller Set Screw	21.22	25.50

Item	Part No.	Description	US List	Can. List
MAX-E-PROXF VS PUMP				
18	400011	Diffuser	CALL	CALL
19	353323	Diffuser Screws	3.60	4.33
20	350336	Diffuser O-Ring	3.60	4.33
21	401006	Lid/Locking Ring Assembly	60.94	73.23
22	400007Z	Strainer Basket	38.11	45.79
23	35505-1440	Lid/Locking Ring O-Ring	20.44	24.56
24	410001	2.5 in. C-Clip Locking Ring (Qty. 2)	7.72	9.28
25	411000	2.5 in. Union Nut (Qty. 2)	21.20	25.47
26	410002	2.5 in. Union Adapter w/o Tap (Qty. 2)	36.56	43.93
27	410016Z	2.5 in. Diamond Seal Kit (Qty. 2)	13.05	15.68
28	192115Z	Drain Plug O-Rign (Qty. 2)	CALL	CALL
29	357161Z	Drain Plug (Qty. 2)	CALL	CALL
NOT SHOWN				
	353129Z	External Control Wiring Kit	98.20	118.00
	97014-4203KIT	3-inch Flowmeter Kit	CALL	CALL

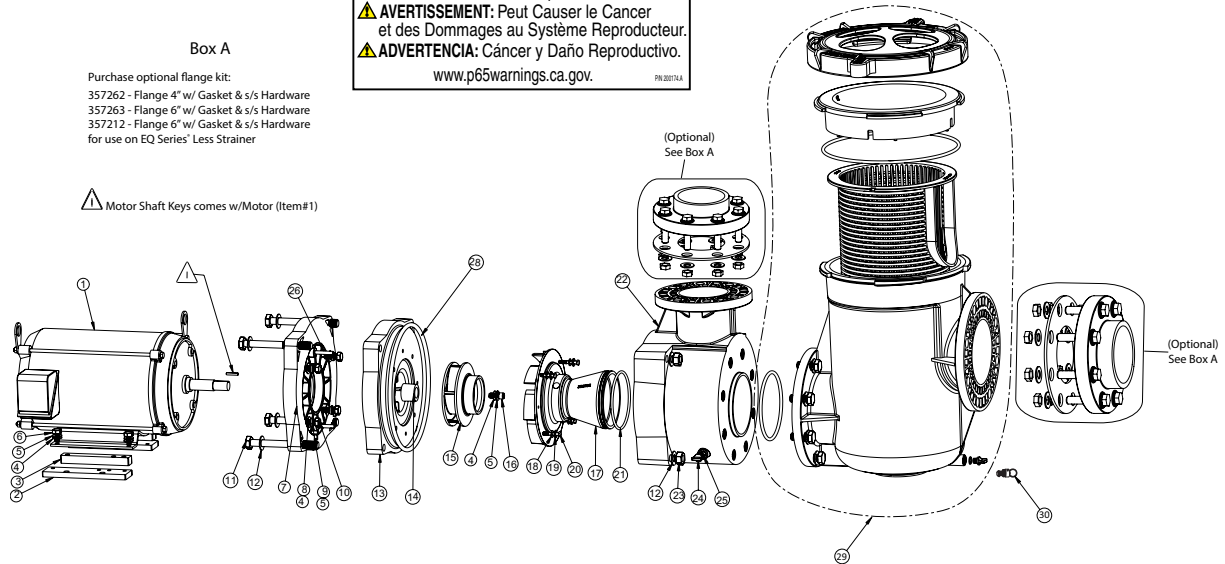
EQ SERIES® COMMERCIAL PLASTIC PUMP REPLACEMENT PARTS

CALIFORNIA PROPOSITION 65 WARNING
 ⚠️ **WARNING:** Cancer and Reproductive Harm.
 ⚠️ **AVERTISSEMENT:** Peut Causer le Cancer et des Dommages au Système Reproducteur.
 ⚠️ **ADVERTENCIA:** Cáncer y Daño Reproductivo.
www.p65warnings.ca.gov

Box A

Purchase optional flange kit:
 357262 - Flange 4" w/ Gasket & s/s Hardware
 357263 - Flange 6" w/ Gasket & s/s Hardware
 357212 - Flange 6" w/ Gasket & s/s Hardware
 for use on EQ Series' Less Strainer

⚠️ Motor Shaft Keys comes w/Motor (Item#1)



Part No.	Model No.	HP	Phase	Motor Support (Item No. 2)	Additional Motor Support (Item No. 3)	Motor No. (Item No. 1)	Impeller (Item No. 15)	Diffuser (Item No. 17)
340019, 340030	EQ500	5	1	356713	356712	357065S	350030	350032
340020, 340031	EQK500	5	3	356713	356712	357068S	350030	350032
340604, 340608	EQKT500	5	3	356713	356712	350731Z	350030	350032
340021, 340032	EQ750	7-1/2	1	356713	N/A	357066S	350029	350033
340022, 340033	EQK750	7-1/2	3	356713	356712	357069S	350029	350033
340605, 340609	EQKT750	7-1/2	3	356713	N/A	350732Z	350029	350033
340237, 340238	EQ1000	10	1	356713	N/A	357063S	350028	350033
340023, 340034	EQK1000	10	3	356713	N/A	357070S	350028	350033
340606, 340610	EQKT1000	10	3	356713	N/A	350733Z	350028	350033
340024, 340035	EQK1500	15	3	356713	N/A	357071S	350027	356735
340607, 340611	EQKT1500	15	3	356713	N/A	350734Z	350027	356735
340045, 340047	EQK1000 EXPL PF, 50 Hz	10	3	356713	N/A	350112S	350027	356735
340046, 340048	EQK750 EXPL PF, 50 Hz	7-1/2	3	356713	N/A	350113S	350028	350033
340049, 350083	EQK1000, 50 Hz	10	3	356713	N/A	350153S	350027	356735
340080, 340084	EQK750, 50 Hz	7-1/2	3	356713	N/A	350154S	350028	350033
340081, 340085	EQK500, 50 Hz	5	3	356713	356712	350155S	350029	350033
340082, 340086	EQK300, 50 Hz	3	3	356713	356712	350156S	350030	350032
340014, 340026	EQW300	3	1	356713	356712	357064S	350027	356735
340016, 340027	EQWK300	3	3	356713	356712	357067S	350027	356735
340018, 340029	EQWK500	5	3	356713	356712	350158S	350070	357273
340017, 340028	EQW500	5	1	356713	356712	350159S	350070	357273
340148, 340155	EQK500 575V	5	3	356713	356712	355038S	350030	350032
340149, 340156	EQK750 575V	7-1/2	3	356713	356712	355039S	350029	350033

Call for pricing on these items.

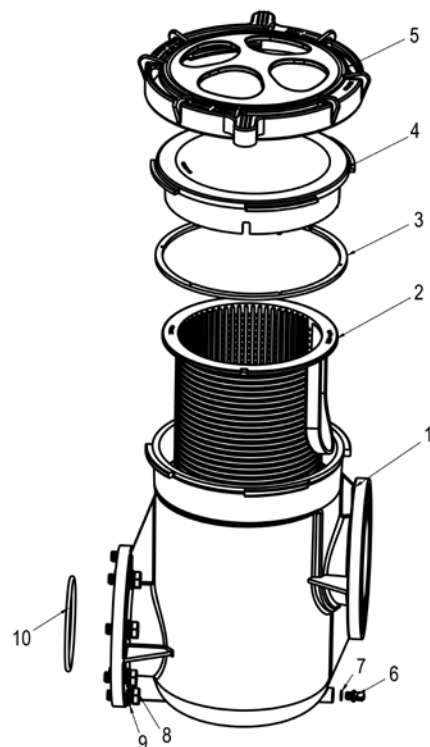
EQ SERIES® COMMERCIAL PLASTIC PUMP

REPLACEMENT PARTS

Item	Part No.	Description	US List	Can. List
EQ SERIES PUMP				
1		Motor - See Table on Prev Page		
2		Support - Motor - See Table on Prev Page		
3		Support Adapter - See Table on Prev Page		
4	072184	Washer, Flat 3/8 in. ID x 7/8 in. OD .05 Thk 18-8 s/s - (qty. 51 & qty. 9)	1.69	2.03
5	98220600	Washer Split Lock 3/8 in. 18-8 s/s - (qty. 51 & qty. 9)	1.69	2.03
6	A135	Screw 3/8 in.-16 x 3/4 in. Hx Hd Cap 18-8 s/s (EQ750...1PH, EQ1000, EQ1500) - (qty. 4)	13.67	16.43
6	350073	Screw 3/8 in.-16 x 1-1/2 Hx Hd Cap 18-8 s/s (EQ300, EQ500, EQ750...3PH) - (qty. 4)	6.30	7.57
7	356790	Adapter - Motor - EQ Series	1131.24	1359.30
8	075842	Washer, Flat 1/2 in. ID x 1-1/4 in. OD .125 Thk 300 s/s - (qty. 4)	1.69	2.03
9	350063	Washer Split Lock 1/2 in. 18-8 s/s - (qty. 4)	8.07	9.70
10	U30-74SS	Screw 3/8 in.-16 x 1 in. Hx Hd Cap 18-8 s/s (EQ300, EQ500, EQ750...3PH) - (qty. 4)	4.83	5.80
10	071687	BLT 1/2-13 x 1.25 STL HH SS (qty. 4)	7.11	8.54
11	356710	Screw 5/8 in.-11 x 6-1/2 in. Hx Hd Cap 18-8 s/s - (qty. 4)	154.48	185.62
12	356789	Washer, Flat 11/16 in. IDx1 - 5/16 in. OD .078 Thk 300 s/s (qty. 8)	1.69	2.03
13	356795	Seal Plate - EQ Series	1336.90	1606.42
14	071725S	Seal Set	56.13	67.45
15		Impeller - See Table on Prev Page		
16	071037	Screw 3/8 in.-16 x 1 in. Sckt. Hd Cap 18-8 s/s	7.28	8.75

Item	Part No.	Description	US List	Can. List
17		Diffuser - See Table on Prev Page		
18	51008500	Washer, Flat 1/4 in. 300 s/s - (qty. 4)	4.59	5.52
19	072172	Washer Split Lock 1/4 in. 18-8 s/s - (qty. 4)	0.27	0.32
20	350035	Screw 1/4 in.-20 x 1-1/2 in. Hx Hd Cap 18-8 s/s (EQ500, EQ750, EQ1000) - (qty. 4)	6.03	7.25
20	356797	Screw 1/4 in.-20 x 1-3/4 in. Hx Hd Cap 18-8 s/s (EQW300, EQ1500) - (qty. 4)	6.78	8.15
21	350037	O-ing Diffuser 3/16 in. x 4-7/8 in.	20.94	25.16
22	356755	Housing - EQ Series	4022.94	4833.96
23	356776	Nut 5/8 in.-11 Hx Brass - (qty. 5)	19.76	23.74
24	357161Z	Drain Plug	CALL	CALL
25	192115Z	O-ring Drain Plug	CALL	CALL
26	350060	Pin Dowel 5/16 in. x 1-3/4 in. 18-8 s/s - (qty. 2)	28.97	34.81
28	356780	O-ring Seal Plate 3/8 in. x 11 in. dia.	62.29	74.85
29	340013	Strainer Pot Assy Complete EQ 6 in. x 6 in.	1754.20	2107.85
30	350087	Pressure Relief Valve	77.57	93.21
NOT SHOWN				
	351137S	EQ Alignment Tool Seal Plate to Motor	288.63	346.82
	354825	Hardware Kit for 7.5 HP ODP to TEFC Motor Conversion	63.39	76.17

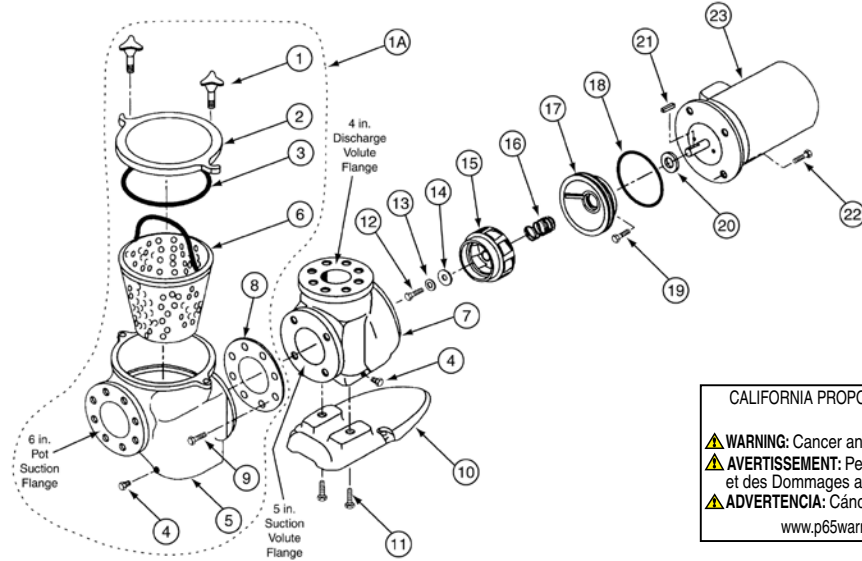
Item	Part No.	Description	US List	Can. List
EQ SERIES HAIR & LINT STRAINER				
1	356725	Pot EQ strainer	1363.40	1638.26
2	357184	Basket EQ strainer	250.76	301.31
3	350166	Gasket, EQ lid	25.27	30.36
4	356750	Lid EQ clear	568.29	682.86
5	350171	Clamp Cam & Ramp™ EQ (No Lid)	785.23	943.53
6	357161Z	Drain Plug	CALL	CALL
7	192115Z	O-ring drain plug	CALL	CALL
8	356788	Screw, 5/8 in., 11 x 1-3/4 in. hx hd cap 18-8 SS (qty. 8)	12.44	14.95
9	356789	Washer, flat 11/16 in. ID x 1-5/16 in. OD 0.078 thk 300 SS (qty. 8)	1.69	2.03
10	350013Z	O-ring pot flange	CALL	CALL
NOT SHOWN				
	350087	Pressure relief valve, 1/4 in. NPT	77.57	93.21



CALIFORNIA PROPOSITION 65 WARNING
⚠️ WARNING: Cancer and Reproductive Harm.
⚠️ AVERTISSEMENT: Peut Causer le Cancer et des Dommages au Système Reproducteur.
⚠️ ADVERTENCIA: Cáncer y Daño Reproductivo.
www.p65warnings.ca.gov P98-2017-14

C SERIES® HIGH PERFORMANCE COMMERCIAL PUMP

REPLACEMENT PARTS



CALIFORNIA PROPOSITION 65 WARNING

⚠️ **WARNING:** Cancer and Reproductive Harm.
 ⚠️ **AVERTISSEMENT:** Peut Causer le Cancer et des Dommages au Système Reproducteur.
 ⚠️ **ADVERTENCIA:** Cáncer y Daño Reproductivo.

www.p65warnings.ca.gov. P652017A

Item	Part No.	Ref. No.	Description	US List	Can. List
C SERIES PUMPS					
1	075280	54475280618	Hand nut assembly, bronze, 2 req.	156.20	187.69
1A	072747		C series pot assembly ¹	7084.69	8512.96
2	075275	26075275219	Cover, C16, bronze	1132.95	1361.35
3	071433	3640525457	O-ring, C-18	10.71	12.87
4	071551	6000002190	Plug pipe, 1/4 in. bronze, 1 req.	6.35	7.63
5	075271Z	79675271199	Pot mach. bronze	5367.25	6449.29
6	072795	70472795100	Basket, C-29 SS 11 in.	533.03	640.49
7	075273Z	18075273199	Volute, C-2 bronze	5294.82	6362.26
8	070943	36470943603	Gasket flange, P-135, 5 in.	32.83	39.45
9	071683	1680634104	Screw, 3/4-10, 1-3/4, SS, 4 req.	41.00	49.27
10	075287	82075287632	Foot, C-4 coated	118.00	141.79
11	071688	1680558359	Screw, 5/8, 11 x 1 stl. hh., 2 req.	2.16	2.60
12	071037	1680115104	Impeller, C-35 lock screw	7.28	8.75
13	071048	90871048212	Impeller, washer, C-71	16.47	19.79
14	075713	3642034603	Impeller, washer gasket	1.69	2.03
15	073828	44473328208	Impeller, CH-50/CHK-50/CHKL-50, 5HP, 1PH, 3PH, high hd.	1748.44	2100.93
15	070228	44470228208	Impeller, CM-50/CMK-50/CMKL-50, 5HP, 1PH, 3PH, med. hd.	1748.44	2100.93
15	073829	44473829208	Impeller, CH-75/CHK-75/CHKL-75, 7.5HP, 1PH, 3PH, high hd.	1748.44	2100.93
15	070227	44470227208	Impeller, CM-75/CMK-75/CMKL-75, 7.5HP, 1PH, 3PH, med. hd.	1748.44	2100.93
15	073830	44473830208	Impeller, CH-100/CHK-100/CHKL-100, 10HP, 1PH, 3PH, high hd.	1748.44	2100.93

Item	Part No.	Ref. No.	Description	US List	Can. List
15	070226	44470226208	Impeller, CM-100/CMK-100/CMKL-100, 10HP, 1PH, 3PH, med hd.	1748.44	2100.93
15	073831	44473831208	Impeller, CHK-150/CHKL-150, 15HP, 3PH, high hd.	1748.44	2100.93
15	070225	44470225208	Impeller, CMK-150/CMKL-150, 15HP, 3PH, med hd.	1748.44	2100.93
15	073832	44473832208	Impeller, CHK-200/CHKL-200, 20HP, 3PH, high hd.	1748.44	2100.93
16	071725S	71271725753	Seal, C-7, PS-360	56.13	67.45
17	070906	11670906199	Flange, mach., C-52 brass	761.50	915.02
18	071423	3640508457	O-ring, C-70	4.25	5.11
19	071681	1680378104	Screw, 3/8, 16 x 7/8 in. CS hh., 2 req.	1.60	1.92
20	072185	7641043478	Water slinger, C-115	11.31	13.59
21	071046	4720201104	Impeller, key, 3/16 in.	28.65	34.43
22	071687	1680155113	Screw, 1/2, 13 x 1-1/4 stl. hh., 4 req.	7.11	8.54
60 HERTZ MOTORS					
23	357205S		Motor package, 5HP, 1PH, 200/208V	CALL	CALL
23	071366S	52571366999	Motor package, 5HP, 1PH, 230V	CALL	CALL
23	357206S		Motor package, 5HP, 3PH, 200/208V	CALL	CALL
23	071364S	52571364999	Motor package, 5HP, 3PH, 208-220/440	CALL	CALL
23	357207S		Motor package, 7-1/2 HP, 1PH, 200/208V	CALL	CALL
23	357204S	525357204999	Motor package, 7-1/2 HP, 1PH, 230V	CALL	CALL
23	357208S		Motor package, 7-1/2 HP, 3PH, 200/208V	CALL	CALL
23	071365S	52571365999	Motor package, 7-1/2 HP, 3PH, 208-220/440V	CALL	CALL

C SERIES® HIGH PERFORMANCE PUMP (CONT'D)

REPLACEMENT PARTS

Item	Part No.	Ref. No.	Description	US List	Can. List
C SERIES PUMPS					
60 HERTZ MOTORS (Cont'd)					
23	357247S		Motor package, 7.5HP, 3PH, 575V	CALL	CALL
23	357209S		Motor package, 10HP, 3PH, 200/208V	CALL	CALL
23	357249S		Motor package, 10HP, 1PH, 230V	CALL	CALL
23	071363S	52571363999	Motor package, 10HP, 3PH, 208-220/440V	CALL	CALL
23	357238S		Motor package, 10HP, 3PH, 575V	CALL	CALL
23	357210S		Motor, package 15HP, 3PH, 200/208V	CALL	CALL
23	071361S	52571361999	Motor package, 15HP, 3PH, 208-220/440V	CALL	CALL
23	357245S		Motor package, 15HP, 3PH, 575V	CALL	CALL
23	357211S		Motor package, 20HP, 3PH, 200/208V	CALL	CALL
23	071362S	52571362999	Motor package, 20HP, 3PH, 208-220/440V	CALL	CALL
23	357246S		Motor, package 20HP, 3PH, 575V	CALL	CALL
50 HERTZ MOTORS					
23	072737S	52572737999	Motor, 5HP, 3PH, 380/415V	CALL	CALL
23	072739S	52572739999	Motor, 7.5HP, 3PH, 380/415V	CALL	CALL
23	072740S	52572740999	Motor, 10HP, 3PH, 380/415V	CALL	CALL
23	072742S	52572742999	Motor, 15HP, 3PH, 380/415V	CALL	CALL
23	072744S	52572744999	Motor, 20HP, 3PH, 380/415V	CALL	CALL
Motor subassemblies include items No.12 -21 and 23					
	073260	A073260	Motor, sub assembly, CM-50	CALL	CALL
	073262	A073262	Motor, sub assembly, CMK-50 ²	CALL	CALL
	073264	A073264	Motor, sub assembly, CH-50	CALL	CALL
	073265	A073265	Motor, sub assembly, CHK-50 ²	CALL	CALL
	073263	A073263	Motor, sub assembly CMK-75 ²	CALL	CALL
	073266	A073266	Motor, sub assembly CHK-75 ²	CALL	CALL
	073680	A073680	Motor, sub assembly CMK-100 ²	10488.40	12602.86
	073267		Motor, sub assembly CHK-100 ²	CALL	CALL
	073261	A073261	Motor, sub assembly CMK-150 ²	CALL	CALL
	073268	A073268	Motor, sub assembly CHK-150 ²	CALL	CALL

Item	Part No.	Ref. No.	Description	US List	Can. List
	073269	A073269	Motor, sub assembly CHK-200 ²	CALL	CALL
	357910	A357910	Motor, sub assembly CH-75, 1PH, 230V ³	CALL	CALL
	357930	A357930	Motor, sub assembly CM-75, 1PH, 200V ³	CALL	CALL
	357935	A357935	Motor, sub assembly CH-75, 1PH, 200V ³	CALL	CALL
	357250		Motor, sub assembly CH-100, 10HP, 1PH, 230V	CALL	CALL
	357251		Motor, sub assembly CM-100, 1PH, 230V	CALL	CALL
	014700	A014700	Motor, sub assembly CMKL-50 380/415V ⁴	CALL	CALL
	014801	A014801	Motor, sub assembly CHKL-50 380/415V ⁴	CALL	CALL
	014701	A014701	Motor, sub assembly CMKL-75 380/415V ⁴	CALL	CALL
	014802	A014802	Motor, sub assembly CHKL-75 380/415V ⁴	CALL	CALL
	014702	A014702	Motor, sub assembly CMKL-100 ⁴	CALL	CALL
	014803	A014803	Motor, sub assembly CHKL-100 ⁴	CALL	CALL
	014703	A014703	Motor, sub assembly CMKL-150 ⁴	CALL	CALL
	014804	A014804	Motor, sub assembly CHKL-150 ⁴	CALL	CALL
	014805	A014805	Motor, sub assembly CHKL-200 ⁴	CALL	CALL

¹ Includes: 2 of item No. 1, 1 each of items No. 2 thru No. 6, 1 of item No. 8 and 4 of item No. 9.
² All motor subassemblies are 60 Hertz 220/440V, 3 phase.
³ All motor subassemblies are single phase 60 Hertz.
⁴ All motor subassemblies are 50 Hertz 380/415V, 3 phase.

Notes:

- All bronze C-series parts will retrofit older cast iron models.
- Standard flange not included with pump.
- For all 200/208V applications, use 200/208V motors only.

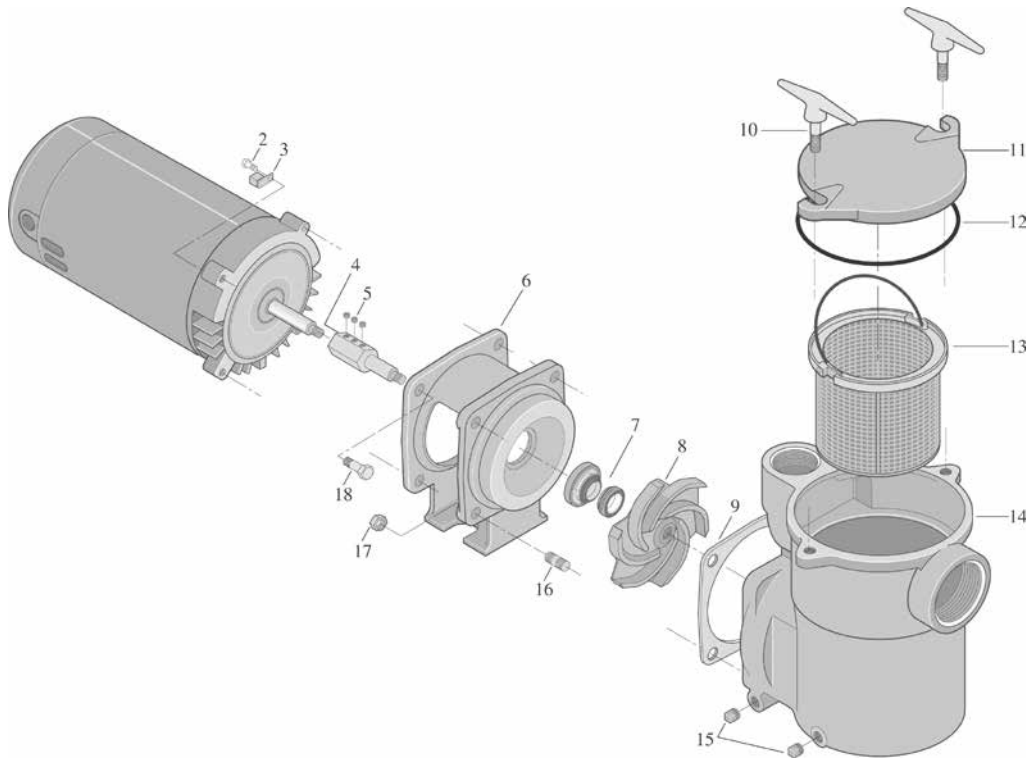
CALIFORNIA PROPOSITION 65 WARNING

▲ **WARNING:** Cancer and Reproductive Harm.
▲ **AVERTISSEMENT:** Peut Causer le Cancer et des Dommages au Système Reproducteur.
▲ **ADVERTENCIA:** Cáncer y Daño Reproductivo.

www.p65warnings.ca.gov. PH2017A

CF6 SERIES™ PUMP

REPLACEMENT PARTS



Item	Part No.	Description	US List	Can. List
CF6 SERIES				
2	U30-692SS	Screw	2.27	2.73
3	U17-568	Bonding Lug	11.98	14.40
4	C110-17	Stub Shaft Assembly (w/ Set Screws)	145.47	174.80
5	354256	1/4-20 x 3/8 in. SS Set	2.98	3.58
6	C2-57D	Adapter	456.06	548.00
7	U109-136SS	Shaft Seal	33.01	39.66
8	C5-181D	Impeller - Model # CF6EF-81I 1-1/4 HP 230V	229.43	275.68
8	C5-182D	Impeller - Model # CF6EG-82I 2 HP 230V	214.34	257.55
8	C5-203D	Impeller - Model # CF6H-123 - 3 HP 230V, Model # CF6H3- 123 - 3 HP 230/460V	257.83	309.81

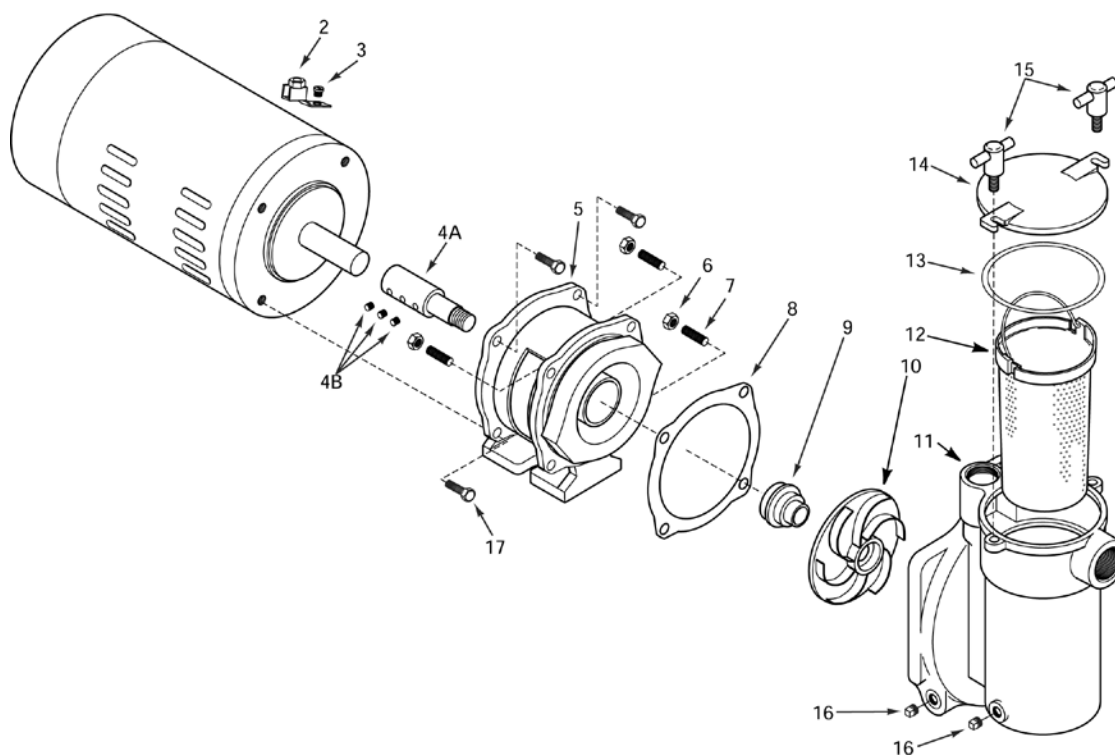
Item	Part No.	Description	US List	Can. List
9	C20-72	Gasket	4.81	5.78
10	C154-18D	Trap Handle	38.35	46.08
11	C3-78D	Trap Cover	245.88	295.45
12	U9-46	Cord Ring	13.60	16.34
13	C108-11P	Strainer Basket	36.42	43.76
14	C1-201DB	Volute & Trap Body	1300.46	1562.63
15	U78-57DT	Pipe Plug, 1/4 in. NPT	CALL	CALL
16	U30-22SS	Stud, 3/8-16 x 1-1/4 in.	8.35	10.03
18	U30-72SS	Capscrew, 3/8-16 x 5/8 in.	4.68	5.62

CALIFORNIA PROPOSITION 65 WARNING

⚠ **WARNING:** Cancer and Reproductive Harm.
 ⚠ **AVERTISSEMENT:** Peut Causer le Cancer
 et des Dommages au Système Reproducteur.
 ⚠ **ADVERTENCIA:** Cáncer y Daño Reproductivo.
www.p65warnings.ca.gov

PH 201714

CFA SERIES™ PUMP REPLACEMENT PARTS



Item	Part No.	Description	US List	Can. List
CFA SERIES				
2	U17-568	Bonding Lug	11.98	14.40
3	U30-692SS	Screw, #10-32 x 1/2	2.27	2.73
4A	C110-17	Stub Shaft Assembly	CALL	CALL
4B	354256	SCR 1/4-20 x 3/8 in. SS Set	2.98	3.58
5	C2-57D	Adapter	456.06	548.00
7	U30-22SS	Stud, 3/8 x 1-1/4 in.	8.35	10.03
8	C20-72	Gasket	4.81	5.78
9	U109-136SS	Shaft Seal Package ¹	33.01	39.66
10	C5-164D	Impeller - MODEL # CFAD-75DL - 3/4 HP	CALL	CALL
10	C5-166D	Impeller - MODEL # CFAE-79DL - 1 HP	215.92	259.45
10	C5-183D	Impeller - MODEL # CFAF-80DL - 1-1/2 HP	228.69	274.79
10	C5-181D	Impeller - MODEL # CFAEG-81DL - 2 HP	229.43	275.68
10	C5-182D	Impeller - MODEL # CFAAEG-82DL - 2-1/2 HP	214.34	257.55
11	C1-185DB	Volute and Trap Body	CALL	CALL

Item	Part No.	Description	US List	Can. List
12	C108-33PZ	Trap Basket	CALL	CALL
13	U9-161	Cord Ring	10.88	13.07
14	C3-140DC	Trap Cover	CALL	CALL
15	C154-18D	Trap Handle	38.35	46.08
16	U78-57DT	Pipe Plug, 1/4 in. NPT	CALL	CALL
17	U30-72SS	Capscrew 3/8-16 x 3/4 in.	4.68	5.62

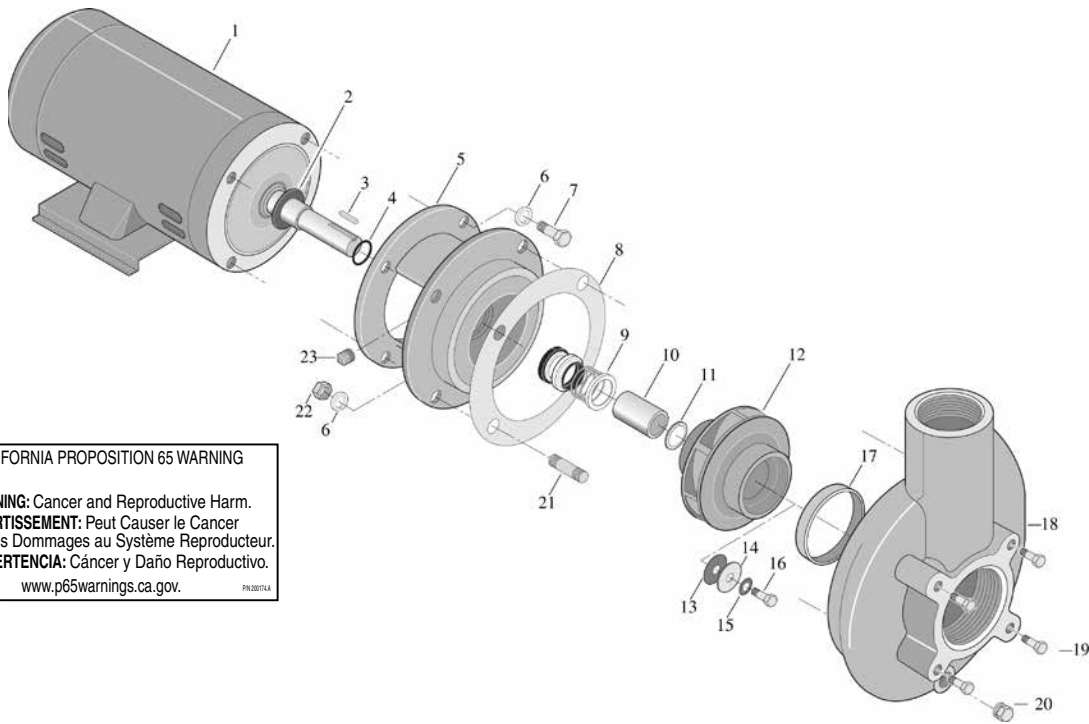
CALIFORNIA PROPOSITION 65 WARNING

⚠️ **WARNING:** Cancer and Reproductive Harm.
 ⚠️ **AVERTISSEMENT:** Peut Causer le Cancer et des Dommages au Système Reproducteur.
 ⚠️ **ADVERTENCIA:** Cáncer y Daño Reproductivo.

www.p65warnings.ca.gov
PH 201714

C/CC SERIES™ CENTRIFUGAL PUMP

3 HP MODEL REPLACEMENT PARTS



CALIFORNIA PROPOSITION 65 WARNING

⚠ **WARNING:** Cancer and Reproductive Harm.
 ⚠ **AVERTISSEMENT:** Peut Causer le Cancer et des Dommages au Système Reproducteur.
 ⚠ **ADVERTENCIA:** Cáncer y Daño Reproductivo.
www.p65warnings.ca.gov PA1207514

Item	Part No.	Description	US List	Can. List
CENTRIFUGAL PUMP - C/CC SERIES - 3 HP				
1	C218-177	Motor 230V/60H/1 Ph.	CALL	CALL
1	C218-178	Motor 200V/60H/3 Ph.	CALL	CALL
1	C218-179	Motor 230/460V/60H/3 Ph.	CALL	CALL
1	C218-191	Motor 200V/60H/1 Ph.	CALL	CALL
3	U65-42A	Key, Impeller	13.83	16.62
4	U9-265	O-Ring	2.81	3.38
5	C2-81	Adapter (Models: CCMH-136, CCM2H-136, CCM2H-136S, CCMH3-136S, CCM2H3-136, CCM2H3--136S, CCHH-137S, CCHH3-137S, CCH2H-137S, CCH2H3-137, CCH2H3-137S)	256.01	307.62
5	C2-81D	Adapter (Models: CMH-136, CMH3-136, CM2H-136, CM2H3-136, CHH-137, CHH3-137, CH2H3-137)	932.16	1120.08
6	U43-12ZP	Lockwasher, 3/8 in.	1.59	1.91
7	U30-73ZP	Capscrew, 3/8-16 x 7/8 in.	CALL	CALL
8	C20-77	Gasket	CALL	CALL
9	U109-433SS	Shaft Seal (Replaces U109-220, effective 8/00)	147.15	176.82
10	C23-58	Shaft Sleeve	139.24	167.31
11	C20-101	Gasket, Sleeve	3.57	4.29
12	C105-224DG	Impeller (Silicon Brass) (Models: CCMH-136, CCM2H-136, CCM2H-136S, CCMH3-136S, CCM2H3-136, CCM2H3-136S, CMH-136, CMH3-136, CM2H-136, CM2H3-136)	847.30	1018.12
12	C105-224DF	Impeller (Silicon Brass) (Models: CCHH-137S, CCHH3-137S, CCH2H-137S, CCH2H3-137, CCH2H3-137S, CHH-137, CHH3-137, CH2H3-137)	813.27	977.23

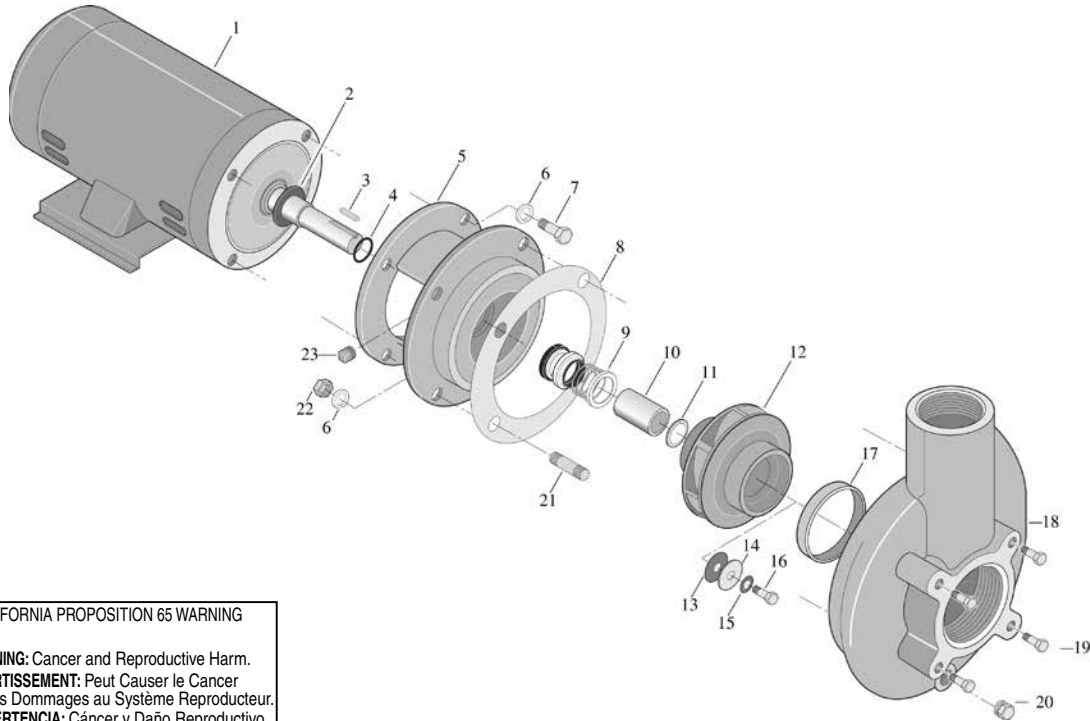
Item	Part No.	Description	US List	Can. List
13	C20-100	Gasket, Impeller	3.57	4.29
14	C43-45SS	Washer, Impeller	6.89	8.28
15	C43-46	Washer, Stat-O-Seal	6.14	7.38
16	U30-72SS	Screw, Impeller 3/8-16 x 3/4 in.	4.68	5.62
17	C23-40	Wear Ring Only	113.81	136.75
18	C101-167	Volute Assembly (Incl. 17 Only) (Models CCMH-136, CCM2H-136, CCM2H-136S, CCMH3-136S, CCM2H3-136, CCM2H3-136S, CCHH-137S, CCHH3-137S, CCH2H-137S, CCH2H3-137, CCH2H3-137S)	517.38	621.68
18	C101-167D	Volute Assembly (Incl. 17 Only) (Models CMH-136, CMH3-136, CM2H-136, CM2H3-136, CHH-137, CHH3-137, CH2H3-137)	1588.99	1909.33
20	U78-941ZPV	Pipe Plug, 1/4 in. NPT, Hex Head	1.79	2.15
21	U30-22SS	Stud, 3/8-16 x 1/16 in.	8.35	10.03
22	U36-38ZP	Nut, Hex 3/8 x 16 - (Models CCMH-136, CCM2H-136, CCM2H-136S, CCMH3-136S, CCM2H3-136, CCM2H3--136S, CCHH-137S, CCHH3-137S, CCH2H-137S, CCH2H3-137, CCH2H3-137S)	CALL	CALL
23	U78-57SSS	Pipe Plug, 1/4 in. NPT	9.60	11.54

Note: Model numbers with a "3" in them indicate a 3-Phase motor. Model numbers with a "2" in them indicate a 200V motor.

Note: C Series with different hydraulic numbers (CCMH-93) are older models that use different parts. Consult factory for older models.

C/CC SERIES™ CENTRIFUGAL PUMP

5 HP MODEL REPLACEMENT PARTS



CALIFORNIA PROPOSITION 65 WARNING
 ⚠️ **WARNING:** Cancer and Reproductive Harm.
 ⚠️ **AVERTISSEMENT:** Peut Causer le Cancer et des Dommages au Système Reproducteur.
 ⚠️ **ADVERTENCIA:** Cáncer y Daño Reproductivo.
www.p65warnings.ca.gov P65-2017-14

Item	Part No.	Description	US List	Can. List
CENTRIFUGAL PUMP - C/CC SERIES 5 HP				
1	C218-180	Motor 230V/60H/1 Ph.	CALL	CALL
1	C218-182	Motor 230/460V/60H/3 Ph.	CALL	CALL
1	C218-181	Motor 200V/60H/3 Ph.	CALL	CALL
3	U65-42A	Key, Impeller	13.83	16.62
4	U9-265	O-Ring	2.81	3.38
5	C2-81	Adapter (Models: CCHJ-138, CCHJ138S, CCHJ3-138S, CCH2J3-138S)	256.01	307.62
5	C2-81D	Adapter (Models: CHJ-138, CH2J3-138, CH2J3-138)	932.16	1120.08
6	U43-12ZP	Lockwasher, 3/8 in.	1.59	1.91
7	U30-73ZP	Capscrew, 3/8-16 x 7/8 in.	CALL	CALL
8	C20-77	Gasket	CALL	CALL
9	U109-433SS	Shaft Seal	147.15	176.82
10	C23-58	Shaft Sleeve	139.24	167.31
11	C20-101	Gasket, Sleeve	3.57	4.29
12	C105-224DE	Impeller (Silicon Brass)	832.97	1000.90
13	C20-100	Gasket, Impeller	3.57	4.29
14	C43-45SS	Washer, Impeller	6.89	8.28
15	C43-46	Washer, Stat-O-Seal	6.14	7.38
16	U30-72SS	Screw, Impeller 3/8-16 x 3/4 in.	4.68	5.62

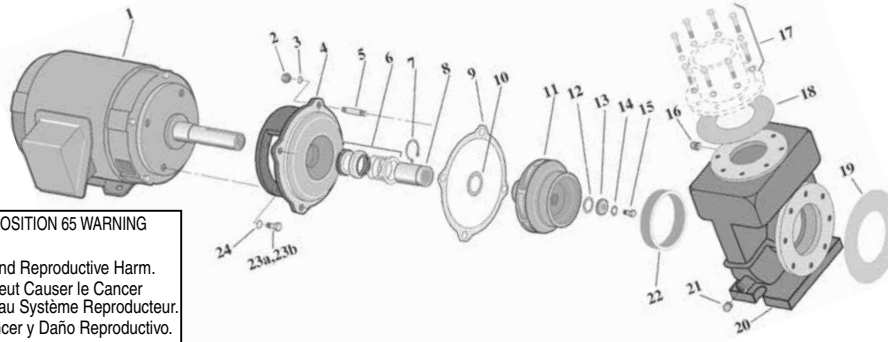
Item	Part No.	Description	US List	Can. List
17	C23-40	Wear Ring Only	113.81	136.75
18	C101-167	Volute Assembly (Incl. 17 Only) (Models: CCHJ-138, CCHJ138S, CCHJ3-138S, CCH2J3-138S)	517.38	621.68
18	C101-167D	Volute Assembly (Incl. 17 Only) (Models: CHJ-138, CH2J3-138, CH2J3-138)	1588.99	1909.33
20	U78-941ZPV	Pipe Plug, 1/4 in. NPT, Hex Head	1.79	2.15
21	U30-22SS	Stud, 3/8 - 16 x 1-1/4 in.	8.35	10.03
22	U36-38ZP	Nut, Hex 3/8 x 16 in. (Models: CCHJ-138, CCHJ138S, CCHJ3-138S, CCH2J3-138S)	CALL	CALL
23	U78-57SSS	Pipe Plug, 1/4 in. NPT	9.60	11.54

Note: Model numbers with a "3" in them indicate a 3-Phase motor. Model numbers with a "2" in them indicate a 200V motor.

Note: C Series with different hydraulic numbers (CCMH-93) are older models that use different parts. Consult factory for older models.

CSPH/CCSPH SERIES™ PUMP

REPLACEMENT PARTS



CALIFORNIA PROPOSITION 65 WARNING
⚠ WARNING: Cancer and Reproductive Harm.
⚠ AVERTISSEMENT: Peut Causer le Cancer et des Dommages au Système Reproducteur.
⚠ ADVERTENCIA: Cáncer y Daño Reproductivo.
www.p65warnings.ca.gov
PK320714

Item	Part No.	Description	US List	Can. List
230 VOLT/1 PHASE OR 230/460 VOLT/3 PHASE				
1	S22351	Motor 230V/1 Ph. - 7-1/2 HP (Models: CSPHK-1421, CCSPHK-1421, CSPHK3-1422, CCSPHK3-1422)	CALL	CALL
1	62500-0101	Motor 230V/1 Ph. - 10 HP (Models: CSPHL-143, CCSPHL-143M, CSPHL3-1431, CCSPHL3-1431)	CALL	CALL
1	S22353	Motor 230V/3 Ph. - 7-1/2 HP (Models: CSPHK-1421, CCSPHK-1421, CSPHK3-1422, CCSPHK3-1422)	CALL	CALL
1	S22356	Motor 230V/3 Ph. - 10 HP (Models: CSPHL-143, CCSPHL-143M, CSPHL3-1431, CCSPHL3-1431)	CALL	CALL
1	S22357	Motor 230V/3 Ph. - 15 HP (Models: CSPHM3-1441, CCSPHM3-1441)	CALL	CALL
1	S28574	Motor 230V/3 Ph. - 20 HP (Models: CSPHN3-1451, CCSPHN3-1451)	CALL	CALL
1	16830-0320	Motor 230V/3 Ph. 7-1/2 HP (Models: CSPH2K3-142, CCSPH2K3-142)	CALL	CALL
1	16831-0320	Motor 200V/3 Ph. - 10 HP (Models: CSPH2L3-143, CCSPH2L3-143)	CALL	CALL
1	16832-0320	Motor 200V/3 Ph. - 15 HP (Models: CSPH2M3-144, CCSPH2M3-144)	CALL	CALL
1	16833-0320	Motor 200V/3 Ph. - 20 HP (Models: CSPH2N3-145, CCSPH2N3-145)	CALL	CALL
2	S23488	Nut, 1/2 in.	4.83	5.80
3	U43-13SS	Lockwasher, 1/2 in.	CALL	CALL
3	U43-12SS	Lockwasher, 3/8 in. ²	2.92	3.51
4	L05329	Bracket - 7-1/2 HP (3 Ph. Models)	331.91	398.82
4	L05328	Bracket - 10 HP (CSPH, CSPH2 Models) - 15 HP (CSPH, CSPH2 Models) - 7-1/2 (CSPH, CSPH2 Models)	341.77	410.67
4	L05779	Bracket - 20 HP (CSPH, CSPH2 Models)	612.86	736.41
4	16830-2201	Bracket - 7-1/2 HP (3 Ph. Models)	1466.40	1762.03
4	16830-2203	Bracket - 10 HP (CCSPH, CCSPH2 Models) - 15 HP (CCSPH, CCSPH2 Models) - 7-1/2 HP (CCSPH, CCSPH2 Models)	1575.25	1892.82
4	16830-2202	Bracket - 20 HP (CCSPH, CCSPH2 Models)	1148.66	1380.23
5	30747-0152	Stud, 1/2-13 x 1-1/2 in.	32.35	38.87
6	S32014	Mechanical Shaft Seal	163.69	196.69
6	S32015	Mechanical Shaft Seal - 20 HP	352.94	424.09
7	S11207	Retaining Ring	21.42	25.74

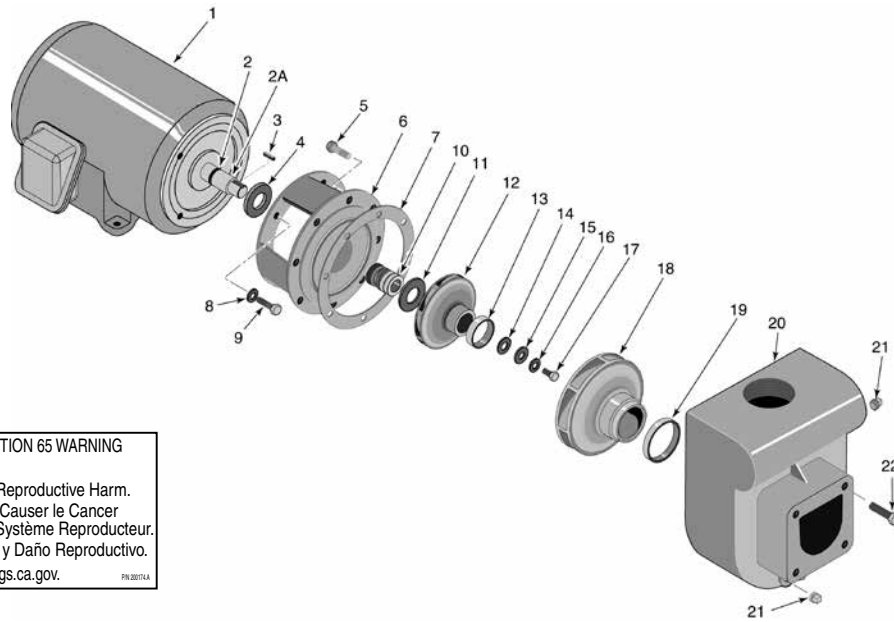
Item	Part No.	Description	US List	Can. List
7	S16767	Retaining Ring - 20 HP (Models: CSPHN3-1451, CCSPHN3-1451)	47.60	57.20
8	37447-0001L	Shaft Sleeve	CALL	CALL
8	37447-0002L	Shaft Sleeve - 20 HP	CALL	CALL
9	S04757	Gasket (Volute to Bracket)	16.67	20.03
10	33455-8044	Gasket (Impeller to Shaft Sleeve)	8.02	9.64
10	33455-8046	Gasket (Impeller to Shaft Sleeve) - 20 HP	8.02	9.64
11	16830-0209	Impeller - 7-1/2 HP	1618.52	1944.81
11	16830-0210	Impeller- 10 HP	1459.30	1753.49
11	16830-0211	Impeller - 15 HP	1667.60	2003.79
11	16830-0212	Impeller - 20 HP	2002.74	2406.49
12	33455-8043	Gasket (Impeller to Washer)	8.02	9.64
12	33455-8045	Gasket (Impeller to Washer) - 20 HP	8.02	9.64
13	38917-0203	Impeller Washer	73.72	88.58
13	38917-0204	Impeller Washer - 20 HP (Models: CSPHN3-1451, CCSPHN3-1451)	88.46	106.29
14	C43-46SS	Stat-O-Seal Washer	18.60	22.35
14	C43-46SSA	Stat-O-Seal Washer - 20 HP (Models: CSPHN3-1451, CCSPHN3-1451)	23.67	28.44
15	S23566	Capscrew, 3/8-16 x 1 in. ¹	CALL	CALL
15	S23619	Capscrew, 1/2-13 x 1 in. ²	7.70	9.25
16	U78-57DT	Pipe Plug 1/4 in. NPT	CALL	CALL
17	16830-0400	Hardware Kit	84.13	101.09
18	33450-8042	Gasket (Volute Discharge)	19.63	23.59
19	33450-8041	Gasket (Volute Suction)	27.57	33.13
20	16830-0100	Volute (CSPH, CSPH2)	3941.20	4735.75
20	16830-2102	Volute (CCSPH) - 7-1/2 HP, 10 HP	7167.00	8611.87
20	16830-2103	Volute (CCSPH) - 15 HP, 20 HP ¹	7215.28	8669.88
20	16830-0100	Volute (CSPH2, CSPH2)	3941.20	4735.75
20	16830-2102	Volute (CCSPH2) - 7-1/2 HP, 10 HP	7167.00	8611.87
21	U78-59D	Drain Plug, 1/2 in. NPT	10.81	12.99
22	16830-0120	Wear Ring	124.49	149.59
23A	S23619	Capscrew, 1/2-13 x 1 in. ¹	7.70	9.25
23B	S23566	Capscrew, 3/8-16 x 1 in. ²	CALL	CALL
24	U43-13SS	Lockwasher, 1/2 in.	CALL	CALL

¹ 7-1/2 HP; 1 Phase only.

² 3 Phase only.



D SERIES™ PUMP REPLACEMENT PARTS



CALIFORNIA PROPOSITION 65 WARNING
 ⚠️ **WARNING:** Cancer and Reproductive Harm.
 ⚠️ **AVERTISSEMENT:** Peut Causer le Cancer et des Dommages au Système Reproducteur.
 ⚠️ **ADVERTENCIA:** Cáncer y Daño Reproductivo.
www.p65warnings.ca.gov P9820134

Item	Part No.	Description	US List	Can. List
SELF PRIMING CENTRIFUGAL PUMP - D SERIES				
1	C218-177	Motor 230V/60H/1 Ph. DMH Medium Head: 3 HP, High Head: 3 HP	CALL	CALL
1	C218-180	Motor 230V/60H/1 Ph. DMJ Medium Head: 5 HP, High Head: 5 HP	CALL	CALL
1	C218-179	Motor 230/460V/60H/3 Ph. DMH Medium Head: 3 HP, High Head: 3 HP	CALL	CALL
1	C218-182	Motor 230/460V/60H/3 Ph. DMJ Medium Head: 5 HP, High Head: 5 HP	CALL	CALL
1	C218-191	Motor 200V/60H/1 Ph. DMH Medium Head: 3 HP, High Head: 3 HP	CALL	CALL
1	C218-192	Motor 200V/60H/1 Ph. DMJ Medium Head: 5 HP, High Head: 5 HP	CALL	CALL
1	C218-178	Motor 200V/60H/3 Ph. DMH Medium Head: 3 HP, High Head: 3 HP	CALL	CALL
1	C218-181	Motor 200V/60H/3 Ph. DMJ Medium Head: 5 HP, High Head: 5 HP	CALL	CALL
2	U9-265	O-Ring	2.81	3.38
2A	C23-58	Sleeve	139.24	167.31
3	U65-42A	Key, Square 3/16 x 3/16 x 7/8 in.	13.83	16.62
4	N/A		CALL	CALL
5	071681	Screw 3/8 x 16 x 7/8 in. HH	1.60	1.92
6	C2-66	Motor Adapter	332.75	399.83
7	C20-46	Gasket, Adapter	9.20	11.05
8	U43-12ZP	Lockwasher, 3/8 in. ¹	1.59	1.91
9	U30-73ZP	Capscrew, 3/8-16 x 7/8 in.	CALL	CALL
10	U109-433SS	Shaft Seal ³	147.15	176.82
11	C20-101	Gasket, Seal	3.57	4.29
12	C5-246	Impeller ² - Medium Head: 3 HP	875.43	1051.92
12	C5-247	Impeller ² - Medium Head: 5 HP	867.24	1042.08

Item	Part No.	Description	US List	Can. List
12	C5-248	Impeller ² - High Head: 3 HP	861.38	1035.03
12	C5-249	Impeller ² - High Head: 5 HP	813.27	977.23
13	J23-5	Wear Ring (Only)	32.60	39.17
13	C23-14	Wear Ring (Only) - Medium Head: 5 HP	39.62	47.61
14	C20-100	Gasket	3.57	4.29
15	C43-45SS	Washer, Impeller	6.89	8.28
16	C43-46	Gasket	6.14	7.38
17	U30-72SS	Screw, Impeller 3/8-16 x 3/4 in. ¹	4.68	5.62
18	C101-126	Volute Diffuser w/ Wear Ring Medium Head: 3 HP	199.26	239.43
18	C101-126B	Volute Diffuser w/ Wear Ring Medium Head: 5 HP	207.93	249.85
18	C101-132	Volute Diffuser w/ Wear Ring High Head: 3 HP, High Head: 5 HP	207.93	249.85
19	C21-2	Diffuser Ring	6.38	7.67
20	C76-12	Pump Body High Head: 3 HP, High Head: 5 HP	886.94	1065.75
20	C76-12C	Pump Body - Medium Head: 5 HP	957.77	1150.86
20	C76-12B	Pump Body - High Head: 3 HP	881.30	1058.97
21	U78-941ZPV	Pipe Plug, 1/4 in. NPT ¹	1.79	2.15
22	U30-60ZP	Capscrew 5/16-18 x 3/4 in.	1.39	1.67
NOT SHOWN				
	U212-68T	Draincock, 1/4 in. NPT [*]	6.47	7.77

¹ Purchase locally.

² Change effective 6/97.

³ Replaces U109-220 (effective 8/00).

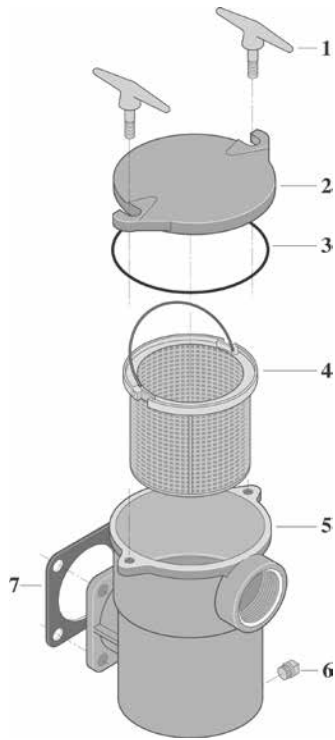
Note: D Series with different numbers (i.e. DMH-64) use different parts. Consult factory for older models.

CAST IRON SUCTION TRAP ASSEMBLY

REPLACEMENT PARTS



PACKAGE
No. 51
No. 98
No. 74



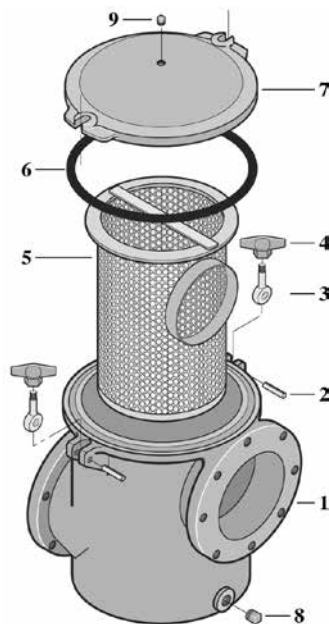
CALIFORNIA PROPOSITION 65 WARNING

⚠ **WARNING:** Cancer and Reproductive Harm.
 ⚠ **AVERTISSEMENT:** Peut Causer le Cancer et des Dommages au Système Reproducteur.
 ⚠ **ADVERTENCIA:** Cáncer y Daño Reproductivo.
www.p65warnings.ca.gov

Item	Part No.	Description	US List	Can. List
PKG. 51 6-IN. TRAP REPLACEMENT PARTS				
1	C154-18D	Handle Assembly ¹	38.35	46.08
2	C3-30	Cover	87.46	105.09
3	U9-46	Cord Ring	13.60	16.34
4	C108-11P	Strainer Basket	36.42	43.76
5	C53-5B	Trap Body	287.35	345.28
6	U78-57DT	Pipe Plug, 1/4 in. NPT	CALL	CALL
7	C20-19	Gasket	3.23	3.88
PKG. 98 8-IN. TRAP REPLACEMENT PARTS				
1	C154-18D	Handle Assembly ¹	38.35	46.08
2	C3-105	Cover	214.39	257.61
3	U9-171	Cord Ring	18.23	21.91
4	16401-0030	Strainer Basket	455.61	547.46
5	C53-21	Trap Body	819.75	985.01
6	U78-57DT	Pipe Plug, 1/4 in. NPT	CALL	CALL
7	C20-19	Gasket	3.23	3.88
PKG. 74 11-IN. TRAP REPLACEMENT PARTS				
1	C154-18D	Handle Assembly ¹	38.35	46.08
2	C3-76	Cover	CALL	CALL
3	U9-105	Cord Ring	CALL	CALL
4	C108-25SS	Strainer Basket	CALL	CALL
5	-	Trap Body		
6	U78-57DT	Pipe Plug, 1/4 in. NPT	CALL	CALL
7	C20-19	Gasket	3.23	3.88

¹ 6 in. - Pkg. 51 has 2 each; 8 in. - Pkg. 98 has 4 each; 11 in. - Pkg. 74 has 4 each.

PACKAGE
No. 184
No. 184C
No. 184E
No. 184CE



Item	Part No.	Description	US List	Can. List
STANDARD FLANGE REPLACEMENT PARTS				
1	16401-0010	Strainer Body (Pkg. 184, 184E)	3759.28	4517.15
1	16401-2015	Strainer Body (Pkg. 184C, 184CE) ¹	CALL	CALL
2	35857-0031	Spring Pin	19.63	23.59
3	30767-0011	Toggle Bolt	324.05	389.38
4	35404-0319	Wing Nut	81.82	98.31
5	16401-0102	Strainer Basket	1489.24	1789.47
6	35505-0421	O-Ring	101.39	121.83
7	16401-0210	Strainer Cover (Pkg. 184, 184E)	808.48	971.47
7	16401-2215	Strainer Cover (Pkg. 184C, 184CE) ¹	1741.01	2092.00
8	U78-59D	Pipe Plug, 1/2 in. Square Head Brass	10.81	12.99
NOT SHOWN				
	33450-8041	Gasket, 6 in. Pipe Flange	27.57	33.13
	16830-0401	Hardware Kit (includes 16 each 3/4 in. lockwashers, 3/4-10 x 2 in. Capscrews)	244.70	294.03
	61002-0012	Tag, Hazardous Suction	CALL	CALL

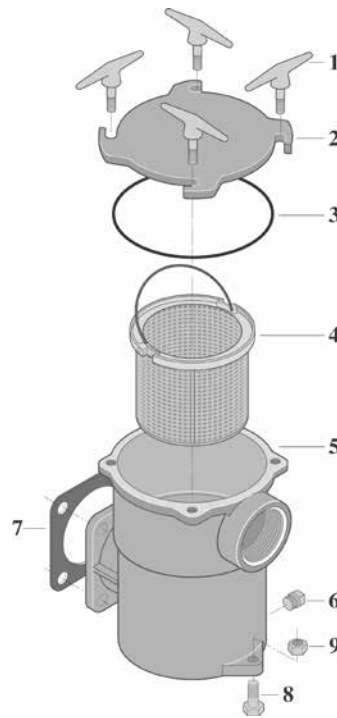
¹ Epoxy coated.

BRONZE SUCTION TRAP ASSEMBLY

REPLACEMENT PARTS



PACKAGE
No. 56
No. 99



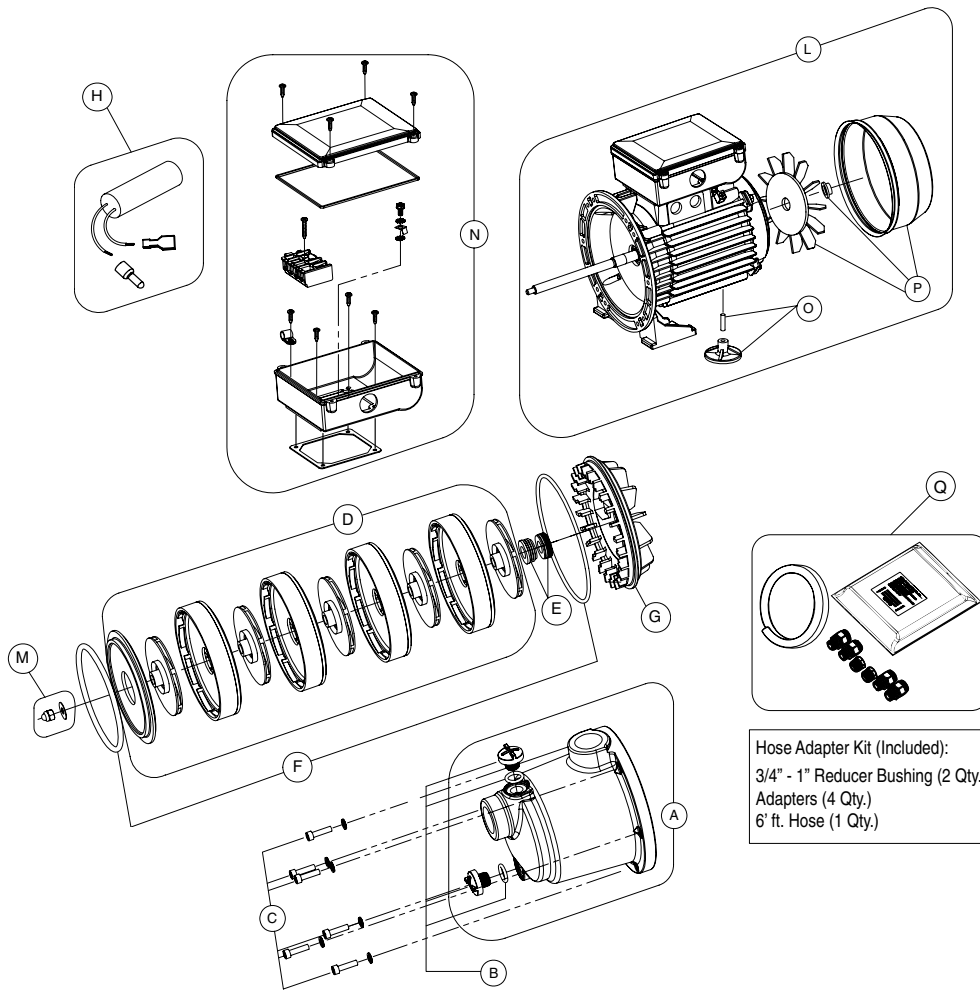
Item	Part No.	Description	US List	Can. List
BRONZE TRAP REPLACEMENT PARTS				
1	C154-18D	Lock Handle Assembly	38.35	46.08
2	C3-78D	Cover (Pkg. 56)	245.88	295.45
2	C3-105D	Cover (Pkg. 99)	680.38	817.54
3	U9-46	O-Ring (Pkg. 56)	13.60	16.34
3	U9-171	O-Ring (Pkg. 99)	18.23	21.91
4	C108-11P	Strainer Basket (Pkg. 56)	36.42	43.76
4	16401-0030	Strainer Basket (Pkg. 99)	455.61	547.46
5	C53-5D	Suction Trap Body (Pkg. 56)	CALL	CALL
5	C53-21D	Suction Trap Body (Pkg. 99)	CALL	CALL
6	U78-57DT	Pipe Plug, 1/4 in. NPT	CALL	CALL
7	C20-19	Gasket, Flange	3.23	3.88
8	U30-77SS	Capscrew, 3/8-16 x 1-3/4 in.	6.09	7.32
9	U36-38ZP	Nut, Hex 3/8-16	CALL	CALL

CALIFORNIA PROPOSITION 65 WARNING

⚠ **WARNING:** Cancer and Reproductive Harm.
 ⚠ **AVERTISSEMENT:** Peut Causer le Cancer et des Dommages au Système Reproducteur.
 ⚠ **ADVERTENCIA:** Cáncer y Daño Reproductivo.
www.p65warnings.ca.gov

BOOST-RITE® BOOSTER PUMP

REPLACEMENT PARTS

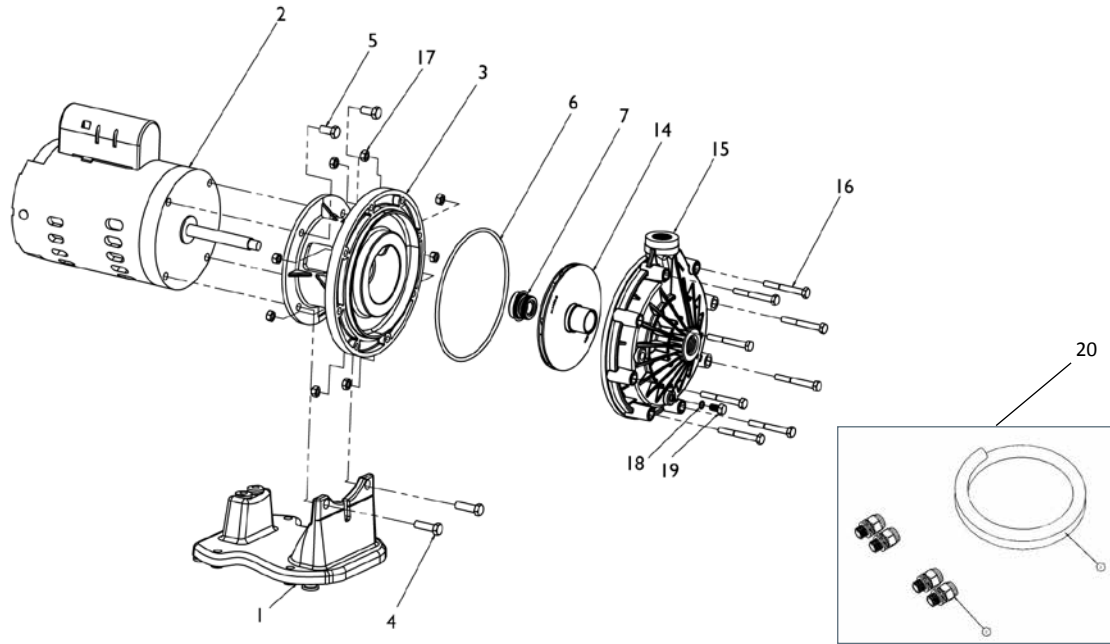


Hose Adapter Kit (Included):
 3/4" - 1" Reducer Bushing (2 Qty.)
 Adapters (4 Qty.)
 6' ft. Hose (1 Qty.)

Item	Part No.	Qty.	Description	US List	Can. List
BOOSTER PUMP					
A	ZBR39320	1	Pump Body Kit w/Drain Plugs	68.21	81.96
B	ZBR12160	2	Drain Plugs with O-Ring Kit - includes (2) drain plugs and (2) O-Rings	22.35	26.86
C	ZBR12170	1	Body Pump Fasteners Kit	18.92	22.73
D	ZBR39330	1	Hydraulic Kit	141.57	170.11
E	ZBR43920	1	Mechanical Seal Kit	33.44	40.18
F	ZBR12200	1	O-Ring Kit	22.06	26.51
G	ZBR12210	1	Seal Plate Kit	33.30	40.01
H	ZBR39340	1	Capacitor Kit	30.17	36.25
L	ZBR39360	1	Complete Motor Assembly	434.68	522.31
M	ZBR12270	1	End Shaft Fasteners Kit	20.86	25.07
N	ZBR39350	1	Capacitor Box Complete Kit	CALL	CALL
O	ZBR26910	1	Base Kit	15.78	18.96
P	ZBR43810	1	Fan Kit	31.23	37.53
Q	353040	1	Hose Kit	70.63	84.87

CALIFORNIA PROPOSITION 65 WARNING
 ⚠️ **WARNING:** Cancer and Reproductive Harm.
 ⚠️ **AVERTISSEMENT:** Peut Causer le Cancer
 et des Dommages au Système Reproducteur.
 ⚠️ **ADVERTENCIA:** Cáncer y Daño Reproductivo.
www.p65warnings.ca.gov P/N 201714

BOOSTER PUMP REPLACEMENT PARTS



Item	Part No.	Qty.	Description	US List	Can. List
BOOSTER PUMP					
1	LA41	1	Pump stand 99, complete with rubber grommets	36.92	44.36
2	LA10NS	1	Motor, 230/115 V, 1 ph, 60 hz, 6.5/13 A	CALL	CALL
3	LA295 *	1	Seal bracket	153.62	184.59
4	LA136	2-PK	Bolt 3/8-16 x 1-1/4 in., 2 req.	CALL	CALL
5	LA135	2-PK	Bolt 3/8-16 x 3/4 in., 2 req.	CALL	CALL
6	LA415 *	1	O-ring for seal bracket	4.18	5.02
7	071734S	1	Seal (PS1000) - Set includes both cap and bellows	33.41	40.15
14	LA05L *	1	Impeller (new style)	CALL	CALL
14	LA02L	1	Impeller (old style)	44.72	53.74
15	LA39534 *	1	Volute	CALL	CALL
16	LA115	2-PK	Bolt	3.88	4.66
17	LA125	2-PK	Nut	3.73	4.48
18	LA375 *	1	O-ring for drain plug	1.18	1.42
19	EB20 *	2-PK	Drain plug	3.62	4.35
20	353020	1	Hose kit: 4 plastic fittings and 1-6 ft. white hose. (built after 2005)	53.4	64.17
NOT SHOWN					
	LD10	2-PK	Hose washer (built prior to 2005), steel with black hose	1.67	2.01
	370239	1	Adapter Kit - 4 hose adapters in a bag; no hose	36.20	43.50

* Recommended for stock.

Note: Pumps and replacement motors that are single speed and one (1) Total HP or greater cannot be sold, offered for sale, or installed in a residential pool for filtration use in California, Title 20 CCR sections 1601-1609.

CALIFORNIA PROPOSITION 65 WARNING

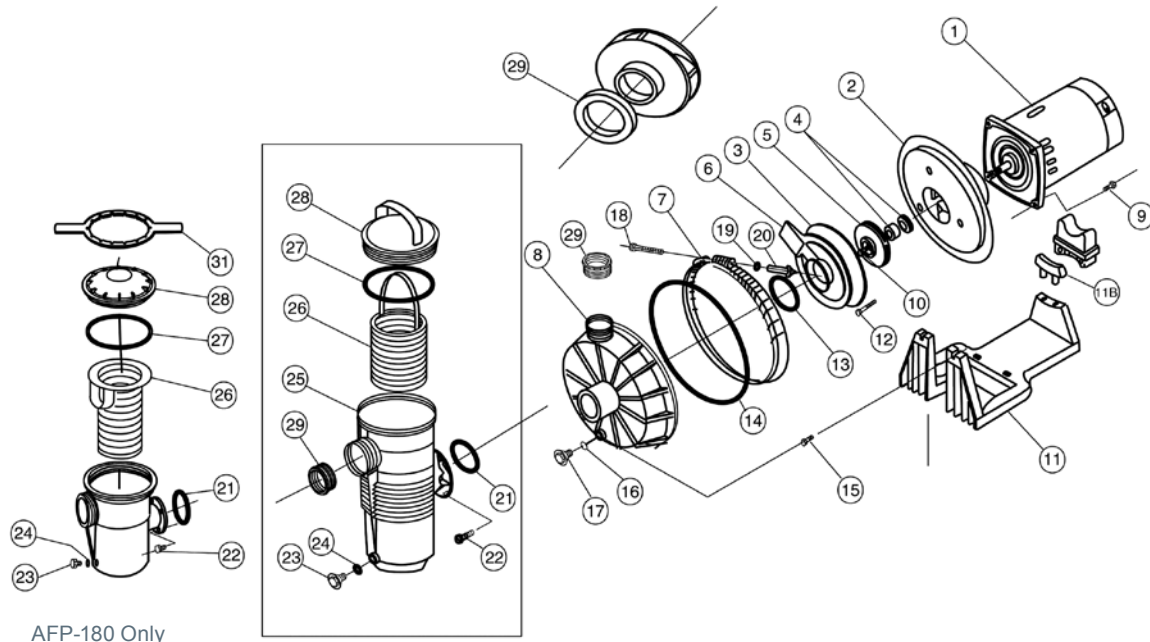
⚠️ **WARNING:** Cancer and Reproductive Harm.
 ⚠️ **AVERTISSEMENT:** Peut Causer le Cancer et des Dommages au Système Reproducteur.
 ⚠️ **ADVERTENCIA:** Cáncer y Daño Reproductivo.

www.p65warnings.ca.gov

PR2017A

WATERFALL SPECIALTY PUMP

REPLACEMENT PARTS



AFP-180 Only

Item	Part No.	Description	US List	Can. List
WATERFALL PUMPS				
1	355218S	Motor, AF-75 & 120, AFP-75 & 120, 37 lbs.	CALL	CALL
1	355222S	Motor, AF-180, AFP-150 & 180, 35 lbs.	CALL	CALL
2	355004	Plate, seal	111.99	134.57
3	355317	Plate, mounting AF-75, AFP-75	16.43	19.74
3	355495	Plate, mounting AF-120 & 180, AFP-120, 150 & 180	15.17	18.23
4	354545S	Seal, 5/8 in. mechanical, PS 200	31.55	37.91
5	355544	Impeller AF-75, AFP-75	81.41	97.82
5	355068	Impeller AF-120, AFP-120	61.18	73.51
5	355221	Impeller AF-180, AFP-150 & 180	59.46	71.45
6	355545	Diffuser AF-75, AFP-75	60.82	73.08
6	355069	Diffuser AF-120, AFP-120	41.21	49.52
6	355140	Diffuser AF-180, AFP-150 & 180	55.56	66.76
7	355320	Band, clamp assembly complete	95.51	114.76
8	355302	Housing, front	226.19	271.79
9	U30-74SS	Screw, 3/8 in.-16 SS hex hd., 4 req.	4.83	5.80
10	355389	Screw, impeller locking	1.69	2.03
11	355305	Base, pump ¹	54.52	65.51
11B	355385	Adapter, 5-5/8 in. dia. motor ²	13.92	16.73
12	355334Z	Screw, No. 8-32 x 1 in. AF-75 & 120, AFP-75 & 120, 3 req.	CALL	CALL
12	355141	Screw, No. 8-32 x 1-1/2 in. AF-180, AFP-150 & 180	7.72	9.28
13	355331Z	O-ring, diffuser	CALL	CALL
14	355329Z	O-ring, front housing	CALL	CALL
15	355335	Screw, 5/16, 18 x 1/2 in. SS hex wsh. hd., (AF models only)	1.69	2.03
16	192115Z	O-ring, drain plug	CALL	CALL
17	154699	Plug, 1/2 in. drain	CALL	CALL
20	175025	Knob (fits clamp w/ captured T-bolt only)	38.77	46.59
21	355330	O-ring, strainer pot flange	1.95	2.34

Item	Part No.	Description	US List	Can. List
22	354265	Screw, 5/16 in., 18 hex wsh. hd., 4 req.	2.36	2.84
23	357161Z	Plug, 1/4 in. drain	CALL	CALL
24	192115Z	O-ring, drain plug	CALL	CALL
25	355300	Strainer pot AFP-75, AFP-120 & 150	161.16	193.65
26	355318Z	Basket, plastic strainer AFP-75 & 120	CALL	CALL
26	355441	Basket, SS strainer AFP-150	208.34	250.34
26	355901	Basket, SS strainer AFP-180	451.63	542.68
27	350013Z	O-ring, lid AFP-75, AFP-120 & 150	CALL	CALL
27	152509Z	Seal, lid AFP-180	CALL	CALL
28	355301	Lid, strainer pot AFP-75, AFP-120 & 150	70.95	85.25
28	355902	Lid, strainer pot AFP-180	82.31	98.90
29	355142	Bushing, impeller nose AF-180, AFP-150 & 180	75.91	91.21
31	154527	Wrench, 8-1/2 in., strainer pot AFP-180	32.30	38.81
NOT SHOWN				
	355914	Lid strainer pot AFP-75, AFP-120 & 150 Chemical resistant black lid	69.23	83.19

¹ Pump base (item 11) includes dual radius motor support.

² Item 11A, motor support is a replacement part that fits only older style pump bases with rectangular opening.

Note: Pumps and replacement motors that are single speed and one (1) Total HP or greater cannot be sold, offered for sale, or installed in a residential pool for filtration use in California, Title 20 CCR sections 1601-1609.

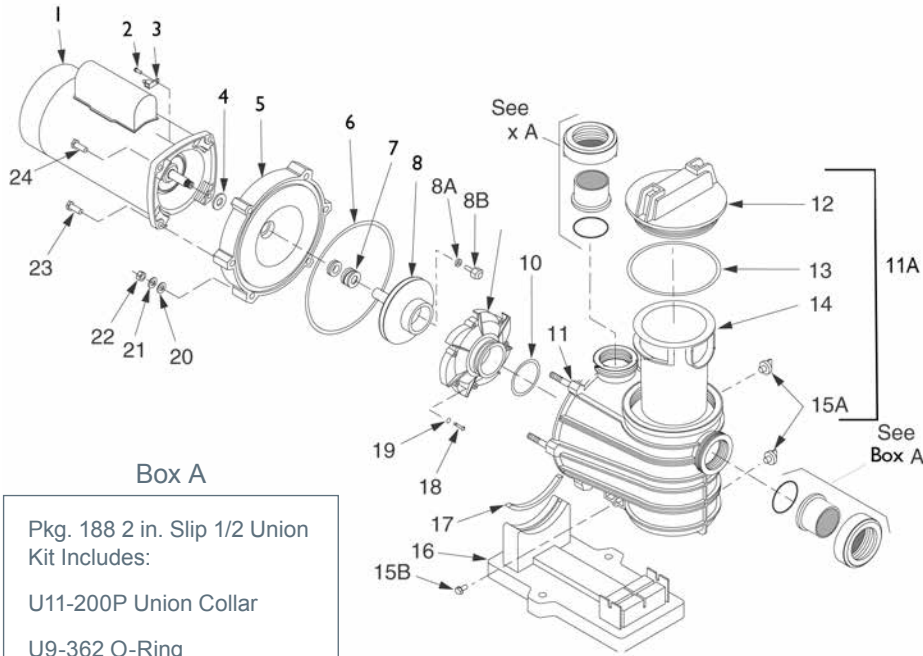
CALIFORNIA PROPOSITION 65 WARNING

⚠️ **WARNING:** Cancer and Reproductive Harm.
 ⚠️ **AVERTISSEMENT:** Peut Causer le Cancer et des Dommages au Système Reproducteur.
 ⚠️ **ADVERTENCIA:** Cáncer y Daño Reproductivo.
www.p65warnings.ca.gov

Product on pages 190–191.

Replacement baskets on page 148.

DYNA-WAVE® SERIES PUMP REPLACEMENT PARTS



Refer to Manual
 #12 - 17307-0111S
 #13 - 35505-1440
 #11 - C76-71P
 Alternate parts used
 after 4-2009

Box A

Pkg. 188 2 in. Slip 1/2 Union Kit Includes:
 U11-200P Union Collar
 U9-362 O-Ring
 U11-196P 2 in. Slip Adapter

Item	Part No.	Description	US List	Can. List
DYNA-WAVE REPLACEMENT PARTS				
1	62003-2088	Motor, 115/230V 1750 RPM	CALL	CALL
2	U30-692SS	Screw #10-32 x 1/2 in.	2.27	2.73
3	U17-568	Bonding Lug	11.98	14.40
4	C69-2	Slinger	7.70	9.25
5	C3-184P	Seal Plate	129.30	155.37
6	U9-373Z	Seal Plate Cord Ring	CALL	CALL
7	17351-0101S	Shaft Seal	28.74	34.53
8	C105-236PDA	Impeller	52.20	62.72
9	C1-270P	Diffuser	32.35	38.87
10	U9-374Z	Diffuser O-Ring	CALL	CALL
10	357098Z	Diffuser O-Ring (Blue Coating)	6.34	7.62
11	C76-58P	Tank and Trap Body (Only)	269.35	323.65
11A	C176-71P	Tank and Trap Assy (Includes #11, 12, 13, 14, 15A)	382.02	459.04
12	C3-185P	Trap Cover	67.71	81.36
13	U9-375	Trap Cover O-Ring	17.82	21.41

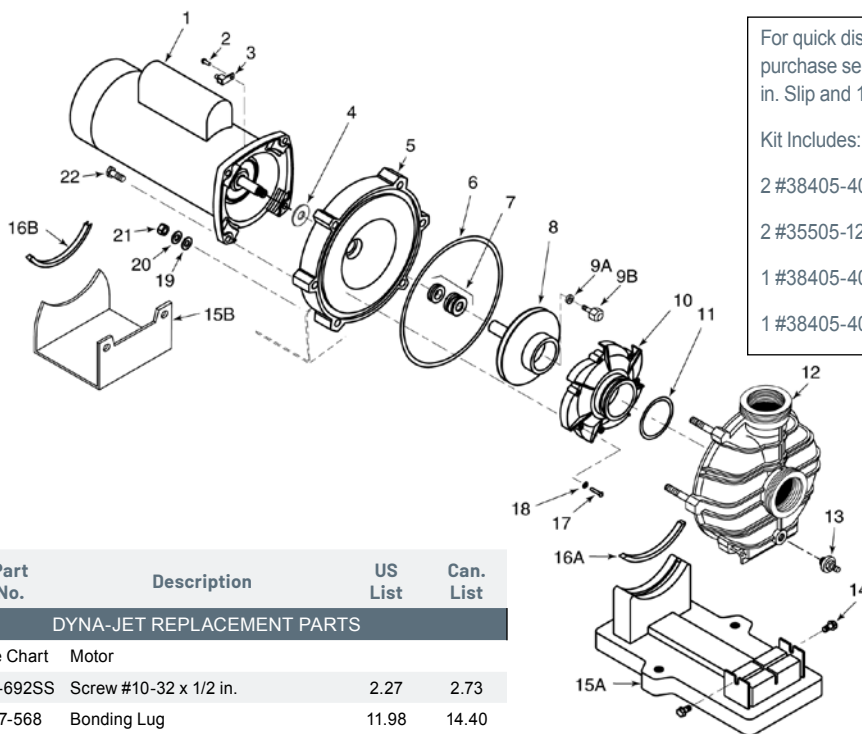
14	C8-58PZ	Trap Basket	CALL	CALL
15A	U178-920PZ	Drain Plug	CALL	CALL
15B	U30-919SS	Mounting Screw 5/16-14 x 5/8 in.	4.81	5.78
16	C4-77P	Base	54.66	65.68
17	C35-45	Motor Pad	4.99	6.00
18	U30-542SS	Screw #8-32 x 7/8 in. Rd. Hd.	2.41	2.90
19	U43-21SS	Lock Washer #8 Ext. Tooth	1.87	2.25
20	U43-62SS	Flat Washer 3/8 in.	1.87	2.25
21	U43-12SS	Lock Washer 3/8 in.	2.92	3.51
22	U36-38SS	Nut 3/8-16 Hex	3.05	3.66
23	U30-74SS	Cap Screws 3/8-16 x 1 in. Hex.	4.83	5.80

Note: Pumps and replacement motors that are single speed and one (1) Total HP or greater cannot be sold, offered for sale, or installed in a residential pool for filtration use in California, Title 20 CCR sections 1601-1609.

CALIFORNIA PROPOSITION 65 WARNING
 ⚠️ **WARNING:** Cancer and Reproductive Harm.
 ⚠️ **AVERTISSEMENT:** Peut Causer le Cancer et des Dommages au Système Reproducteur.
 ⚠️ **ADVERTENCIA:** Cáncer y Daño Reproductivo.
www.p65warnings.ca.gov

DYNA-JET™ SERIES PUMP

TPE SERIES REPLACEMENT PARTS



For quick disconnect pipe connections, purchase separately Part No. 77703-0105 (2 in. Slip and 1-1/2 in. Slip Union Kit).

Kit Includes:

- 2 #38405-4094 Union Collars
- 2 #35505-1244 O-Ring
- 1 #38405-4095 2 in. Slip Adapter
- 1 #38405-4096 1-1/2 in. Slip Adapter

Item	Part No.	Description	US List	Can. List
DYNA-JET REPLACEMENT PARTS				
1	See Chart	Motor		
2	U30-692SS	Screw #10-32 x 1/2 in.	2.27	2.73
3	U17-568	Bonding Lug	11.98	14.40
4	17351-0009	Slinger ⁴	2.07	2.49
5	C3-184P	Seal Plate	129.30	155.37
6	U9-373Z	Seal Plate Cord Ring	CALL	CALL
7	17351-0101S	Shaft Seal	28.74	34.53
8	See Chart	Impeller		
9A	33455-1047	Impeller Lock Screw Gasket ¹	CALL	CALL
9B	37337-6080	Impeller Lock Screw ¹	21.22	25.50
10	C1-270P	Diffuser ²	32.35	38.87
11	U9-374Z	Diffuser O-Ring	CALL	CALL
11	357098Z	Diffuser O-Ring (Blue Coating)	6.34	7.62
12	17303-0001	Pump Body (Only)	207.55	249.39
13	U178-920PZ	Drain Plug	CALL	CALL
14	U30-919SS	Hi-Lo Screw 5/16-14 x 5/8 in.	4.81	5.78
15A	C4-77P	Base - Corrosion Resistant	54.66	65.68
15B	17303-0113	Base - Steel ³	51.55	61.94
16A	C35-45	Motor Pad - for Corrosion Resistant Base	4.99	6.00
16B	C35-5	Motor Pad - for Steel Base ³	27.68	33.26
17	U30-542SS	Screw #8-32 x 7/8 in. Rd. Hd.	2.41	2.90
18	U43-21SS	Lock Washer #8 Ext. Tooth	1.87	2.25
19	U43-62SS	Flat Washer 3/8 in.	1.87	2.25
20	U43-12SS	Lock Washer 3/8 in.	2.92	3.51
21	071403	Nut 3/8-16 Hex	1.69	2.03
22	U30-74SS	Cap Screws 3/8-16 x 1 in. Hex.	4.83	5.80
NOT SHOWN				
	U9-359	Drain Plug O-Ring	0.83	1.00

Parts are common to all models except as noted:
Key Nos. 1, Motor; and 8, Impeller, are listed below.

115/230/60/1			
TPEAE-165L	1	62003-2025	C105-236PB
TPEAF-166L	1-1/2	AE100FLL	C105-236PC
TPRAF-174L	1-1/2	A100FLL	C105-236PF
230/60/1			
TPEAG-167LS	2	AE100GLL	C105-236PDA
TPRAG-175L	2	A100GLL	C105-236PGA
TPEAAG-168LS	2-1/2	AE100G5LL	C105-236PEA
230/60/1 (2 Speed)			
TPRAYF-174S	1-1/2	A100FLL-Y	C105-236PF
TPEAYG-175L	2	AE100GLL-Y	C105-236GAB
TPEAYG-175LS	2	AE100GLL-Y	C105-236GAB
TPEAYG-167LS	2	AE100GLL-Y	C105-236PDA
TPEAAYG-168L	2-1/2	AE100G5LL-Y	C105-236PHA
TPEAAYG-168LS	2-1/2	AE100G5LL-Y	C105-236PHA

¹ Models TPEAG-167L, TPEAAG-168L, and TPRAG-167L only.

² Model TPEAE-165L and TPRAE3-165 use Part No. C1-270PC.

³ Models with LS suffix only.

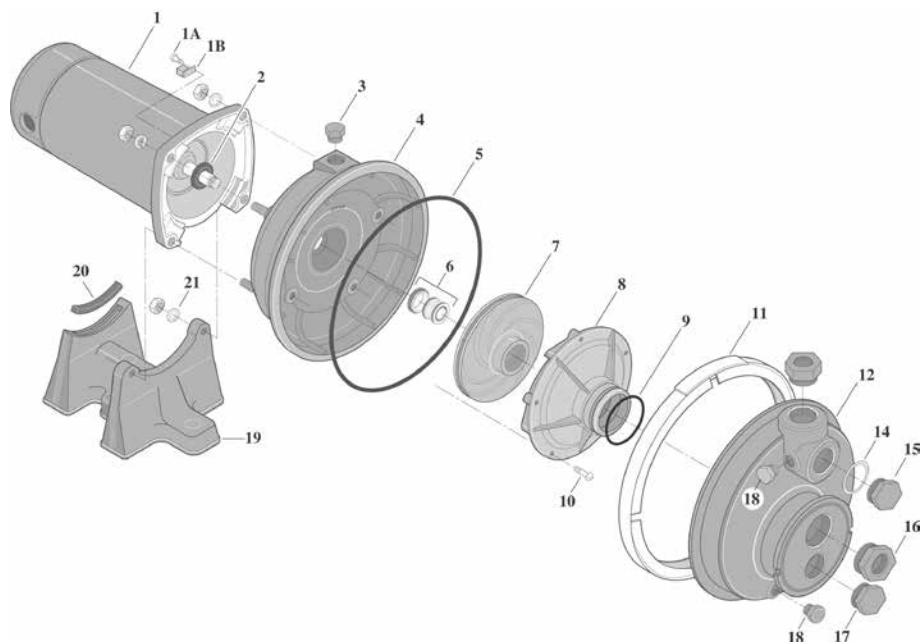
⁴ Replaces C69-24 (effective 9/00).

Note: Pumps and replacement motors that are single speed and one (1) Total HP or greater cannot be sold, offered for sale, or installed in a residential pool for filtration use in California, Title 20 CCR sections 1601-1609.

CALIFORNIA PROPOSITION 65 WARNING

WARNING: Cancer and Reproductive Harm.
AVERTISSEMENT: Peut Causer le Cancer et des Dommages au Système Reproducteur.
ADVERTENCIA: Cáncer y Daño Reproductivo.
www.p65warnings.ca.gov

PLBC SERIES PUMP REPLACEMENT PARTS



Item	Part No.	Description	US List	Can. List
PLBC REPLACEMENT PARTS				
1	A100CHL	Motor 115/230V/60H/1 Ph.	CALL	CALL
1A	U30-692SS	Screw, 10-32 x 1/2 in.	2.27	2.73
1B	U17-568	Lug, Bonding	11.98	14.40
2	17351-0009	Slinger ¹	2.07	2.49
3	WC78-39T	Pipe Plug, 1/2 in. NPT	8.02	9.64
4	L176-47P	Tank Body - Back Half	119.44	143.52
5	U9-389	O-Ring	15.34	18.43
6	U109-93SS	Shaft Seal (Pre-1995)	25.65	30.82
6	17351-0102S	Shaft Seal	32.58	39.15
7	J105-8PACN	Impeller	84.59	101.64
8	J1-40P	Diffuser	67.64	81.28
9	U9-199	O-Ring, Diffuser	3.57	4.29
10	U30-542SS	Screw, 10-32 x 7/8 in.	2.41	2.90
11	C19-54SS	Clamp, Tank Body	100.00	120.16
12	L76-37P	Tank Body - Front Half	239.14	287.35
14	L20-40	Gasket	3.84	4.61
15	L23-4P1	Bushing	9.46	11.37
16	U78-123PT	Reducer Bushing, 1-1/4 in. x 3/4 in.	14.84	17.83
17	U78-830PT	Pipe Plug, 1 in. NPT	11.83	14.21
18	WC78-40T	Pipe Plug, 1/4 in. NPT	3.67	4.41
19	C4-42P	Base	49.10	59.00
20	C35-11	Motor Pad	3.54	4.25
21	U43-11SS	Lockwasher	2.47	2.97
NOT SHOWN				
	J3-2	Insert (Pre-1995)	14.71	17.68
	C35-5	Motor Pad (Pre-1995)	27.68	33.26
	WC78-41T	Pipe Plug, 1/8 in. NPT	4.18	5.02

¹ Replaces C69-2 (effective 9/00).

CALIFORNIA PROPOSITION 65 WARNING

⚠ **WARNING:** Cancer and Reproductive Harm.
 ⚠ **AVERTISSEMENT:** Peut Causer le Cancer et des Dommages au Système Reproducteur.
 ⚠ **ADVERTENCIA:** Cáncer y Daño Reproductivo.

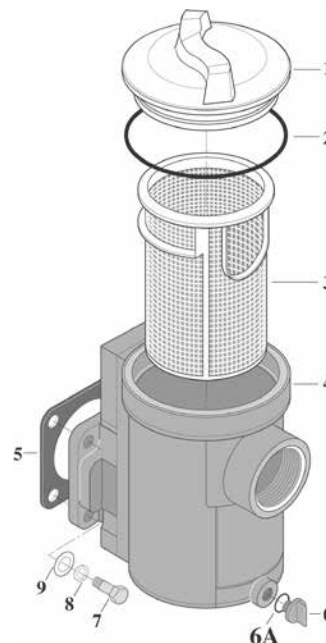
www.p65warnings.ca.gov. PN 200714

PLASTIC SUCTION TRAP ASSEMBLY

PACKAGE NO 161 - 6 IN. REPLACEMENT PARTS

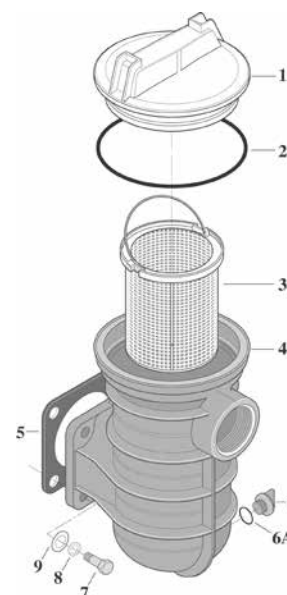


Item	Part No.	Description	US List	Can. List
PKG. 181 6-IN. TRAP REPLACEMENT PARTS				
1	16920-0011	Lid	76.27	91.65
2	16920-0012	O-Ring	22.40	26.92
3	16920-0017	Strainer Basket	32.35	38.87
4	C253-58P	Trap and Adapter Assembly	324.05	389.38
5	C20-123Z	Gasket	CALL	CALL
6	U178-920PZ	Drain Plug, 1/4 in. NPT	CALL	CALL
6A	U9-359	O-Ring	0.83	1.00
7	U30-64SS	Capscrew, 5/16-18 x 1-1/4 in.	4.32	5.19
8	U43-11SS	Lockwasher, 5/16 in.	2.47	2.97
9	U43-41SSZ	Washer, 5/16 in. Flat	CALL	CALL
NOT SHOWN				
	U9-285	Adapter O-Ring	4.81	5.78



PACKAGE NO 115 - 5 IN. REPLACEMENT PARTS

Item	Part No.	Description	US List	Can. List
PKG. 115 5-IN. TRAP REPLACEMENT PARTS				
1	C3-139P1	Cover	63.56	76.37
2	U9-229Z	O-Ring, Cover	CALL	CALL
3	C108-33PZ	Strainer Basket *	CALL	CALL
4	C153-53P1	Trap Body	118.88	142.85
5	C20-123Z	Gasket	CALL	CALL
6	U178-920PZ	Pipe Plug, 1/4 in. NPT	CALL	CALL
6A	U9-359	O-Ring	0.83	1.00
7	U30-64SS	Capscrew, 5/16 - 18 x 1-1/4 in.	4.32	5.19
8	U43-11SS	Lockwasher	2.47	2.97
9	U43-41SSZ	Washer, Flat	CALL	CALL
NOT SHOWN				
	PKG 115	Complete Suction Trap Assembly	158.54	190.50



CALIFORNIA PROPOSITION 65 WARNING

⚠ **WARNING:** Cancer and Reproductive Harm.
 ⚠ **AVERTISSEMENT:** Peut Causer le Cancer et des Dommages au Système Reproducteur.
 ⚠ **ADVERTENCIA:** Cáncer y Daño Reproductivo.
www.p65warnings.ca.gov PN 201514

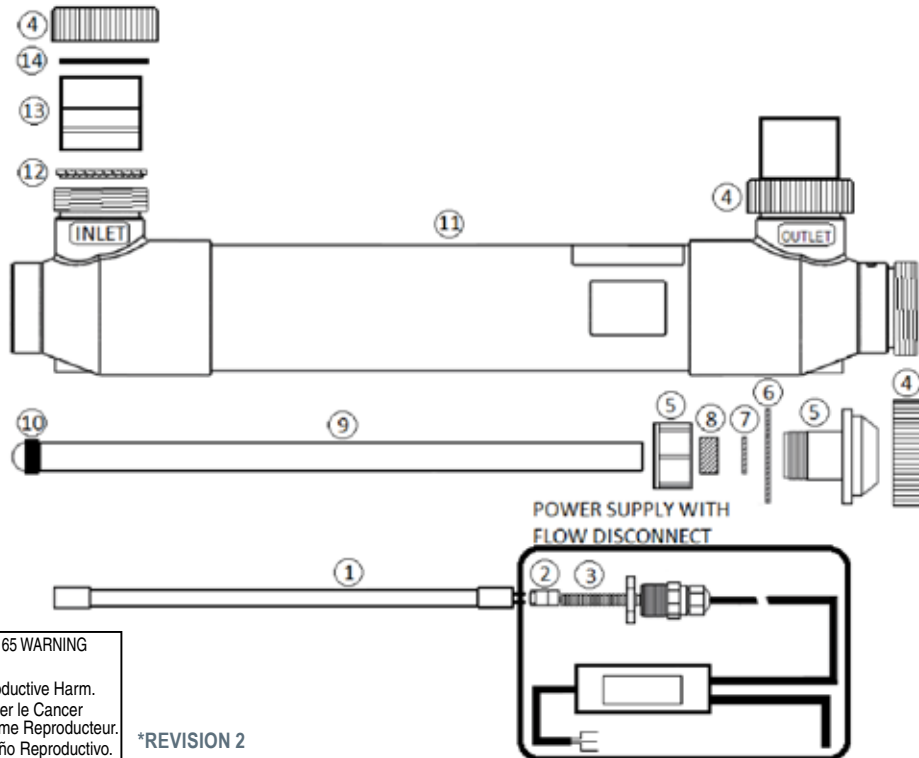
SANITIZER PARTS

Product Catalog 2020

BIOSHIELD® UV DISINFECTION STERILIZER

REPLACEMENT PARTS

Item	Part No.	Description	US List	CAN. List
1	523035	50 Watt UV Lamp for Model #522635	171.21	205.73
1	523036	80 Watt UV Lamp for Model #522636	185.05	222.36
1	523037	120 Watt UV Lamp for Model #522637	212.81	255.71
1	523038	150 Watt UV Lamp for Model #522638 and #522945	194.34	233.52
2	523034	4-Pin Lamp Connector	4.69	5.64
3	523423	Lamp Spacer	29.08	34.94
4	411000	Black Retaining Nut	21.20	25.47
9	523039	Quartz Sleeve 22.25" for Model #522635	80.96	97.28
9	523040	Quartz Sleeve 38.25" for Model #522636	92.53	111.18
9	523041	Quartz Sleeve 50.75" for Model #522637	138.99	167.01
9	523042	Quartz Sleeve 65.00" for Model #522638 and #522945	115.67	138.99
10	523403	Quartz Sleeve Dampener Band	14.54	17.47
11	523110	50 Watt UV Sterilizer Housing	775.28	931.58
11	523111	80 Watt UV Sterilizer Housing	812.35	976.12
11	523112	120 Watt UV Sterilizer Housing	839.46	1008.70
11	523113	150 Watt UV Sterilizer Housing	1153.54	1386.09
KITS				
	523013	Air Relief Kit	316.74	380.59
	523460	Ballast Assembly Only with Flow Switch Input Model #522635 - 522637	427.50	513.68
	523462	Ballast Assembly Only with Flow Switch Input Model #522638/522945	427.50	513.68
	523461	Ballast Assembly with Flow Switch and Tee Model #522635 - 522637	570.00	684.91
	523463	Ballast Assembly with Flow Switch and Tee Model #522638/522945	570.00	684.91
	523382	Quartz Sleeve Module - All Models (Includes Item # 5, 7, 8)	205.75	247.23
	410020	Union Assembly for Models # 522935-522638 (2"/2.5" - Includes Item # 12, 13, 14, 4)	157.79	189.60
	523148	Union Assembly for Models # 522638-522945 (3") *	342.48	411.52
	523383	Seal Kit - All Models (Includes Item # 6, 7, 8)	61.73	74.17
	410016Z	Seal Kit Union (Includes 2 of Item #12)	13.05	15.68



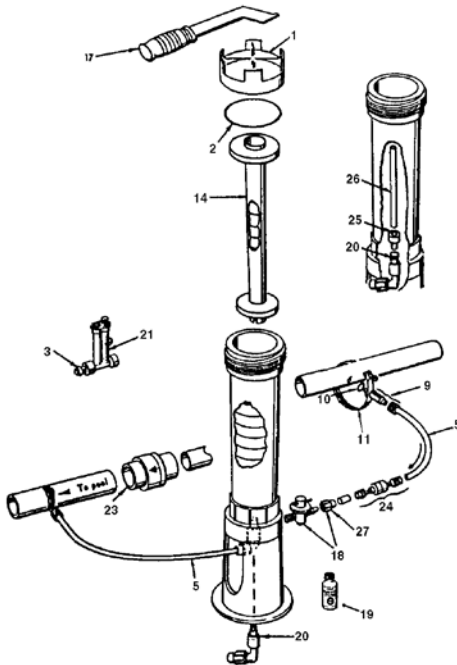
CALIFORNIA PROPOSITION 65 WARNING
 ⚠️ **WARNING:** Cancer and Reproductive Harm.
 ⚠️ **AVERTISSEMENT:** Peut Causer le Cancer et des Dommages au Système Reproducteur.
 ⚠️ **ADVERTENCIA:** Cáncer y Daño Reproductivo.
www.p65warnings.ca.gov PN 201714

*REVISION 2

Product on page 266.

AUTOMATIC FEEDER - MODEL 300, 302, 300-19, 300-29

REPLACEMENT PARTS



Item	Qty.	Part No.	Description	US List	Can. List
Order No.:		R171016		R171026	
Model No.:		300		302	
Description:		AUTOMATIC FEEDER		SPA HOT TUB FEEDER	

1	1	R172008W	3 in. threaded cap, white	19.67	23.64
2	1	R172009Z	O-ring, cap	CALL	CALL
3	Opt.	R172020	Check valve Old Style	5.19	6.24
5	1	R172023Z	3/8 in. o.d. x 1/4 in. i.d. tubing, 8 ft.	CALL	CALL
9	2	R172032Z	Tube fitting with compression nut	CALL	CALL
10	2	R172033Z	Gasket	CALL	CALL
11	2	R172034Z	Saddle clamp	CALL	CALL
14	1	R172037	Spa chamber #302 only	18.06	21.70
17	Opt.	R172052	Cap wrench	31.27	37.57
18	1	R172060Z	Control valve 1/4 in. NPT x tube with compression nut	CALL	CALL
19	1	R172036Z	Silicone lubricant, 3/4 oz.	CALL	CALL
20	1	R172061Z	Combination check valve / elbow	CALL	CALL
21	Opt.	R172080	Flow indicator w/check valve	CALL	CALL
23	Opt.	R172288	1-1/2 in.-2 in. Corrosion resistant check valve	41.96	50.42
24	Opt.	R172323	1/4 in. Corrosion resistant check valve	19.21	23.08
25		R172061ZB	Standpipe adapter, Bromine	CALL	CALL
26		R18761	6 in. Standpipe 3/8 in. o.d. x 1/4 in. i.d.	1.15	1.38
27	1	R18706	Compression nut only	1.64	1.97

Order No.: R172064

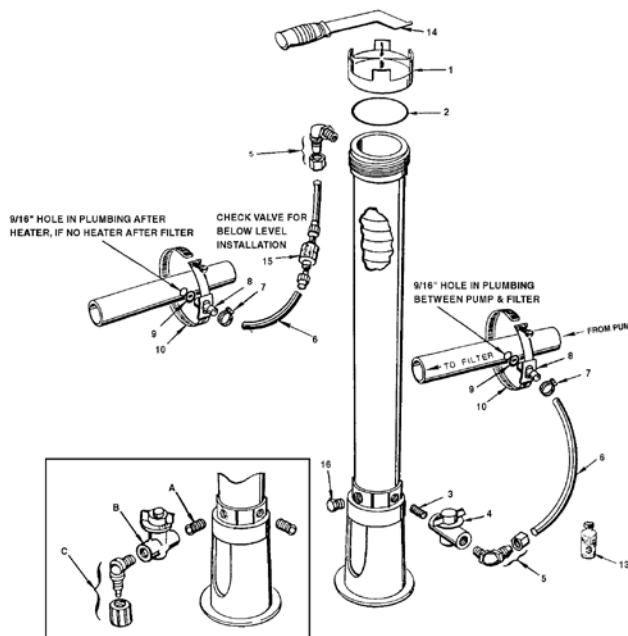
Parts bag for 300, 302, 300-19 & 300-29

9	2	R172032Z	Tube fitting with compression nut	6.47	7.77
10	2	R172033Z	Gasket	2.43	2.92
11	2	R172034Z	Saddle clamp	6.47	7.77
18	1	R172060Z	Control valve 1/4 in. NPT x tube with compression nut	26.90	32.32
19	1	R172036Z	Silicone lubricant	10.70	12.86
20	1	R172061Z	Combination check valve / elbow	6.63	7.97

CALIFORNIA PROPOSITION 65 WARNING
 ⚠️ **WARNING:** Cancer and Reproductive Harm.
 ⚠️ **AVERTISSEMENT:** Peut Causer le Cancer et des Dommages au Système Reproducteur.
 ⚠️ **ADVERTENCIA:** Cáncer y Daño Reproductivo.
www.p65warnings.ca.gov P8-2017-14

AUTOMATIC FEEDER - MODEL 300-29X

REPLACEMENT PARTS



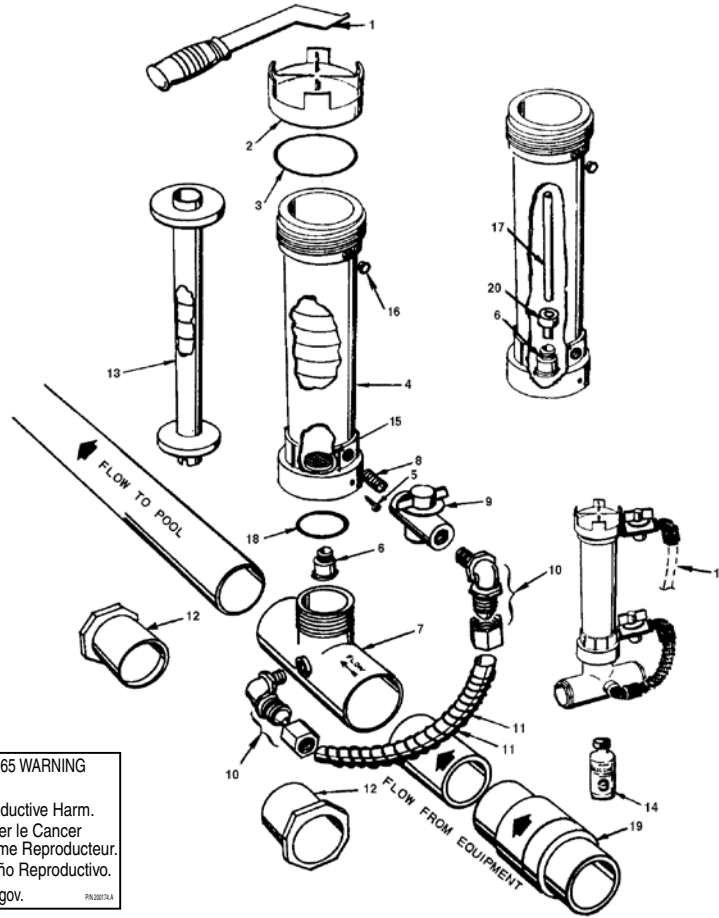
Item	Qty.	Part No.	Description	US List	Can. List
Order No.:		R171070			
Model No.:		300-29X			
Description:		COMMERCIAL SIZE FEEDER			
1	1	R172008W	3 in. threaded cap, white	19.67	23.64
2	1	R172009Z	O-ring, cap	7.64	9.18
3	1	R172256	1/2 in. x Short MPT nipple	6.29	7.56
4	1	R172086Z	1/2 in. Control valve	56.75	68.19
5	2	R172272	1/2 in. 90° NPT x tube fitting w/nut	8.08	9.71
5	Opt.	R172274	Compression nut only (for R172272)	2.97	3.57
6	1	R172269	1/2 in. i.d. Feeder tube, 12 ft.	19.54	23.48
7	2	R175013	S/S tubing clamp	6.47	7.77
8	2	R172262	Saddle tube fitting	6.29	7.56
9	2	R172263	Saddle gasket	2.36	2.84
10	2	R172264	Saddle clamp	11.96	14.37
10A	Opt.	R172264XL	Saddle clamp for 3 in., 4 in. & 6 in. pipe	15.86	19.06
11	1	R172392	1/4 in. MPT PVC plug (old style)	6.29	7.56
13	1	R172036Z	Silicone lubricant, 3/4 oz.	10.70	12.86
14	Opt.	R172052	Cap wrench	31.27	37.57
15	Opt.	R172324NS	1/2 in. Corrosion resistant check valve, tube x tube (ball)	CALL	CALL
16	1	R172134	1/2 in. MPT PVC plug	6.92	8.32

Item	Qty.	Part No.	Description	US List	Can. List
Order No.:		R172275			
Parts bag for 300-29X Complete					
3	1	R172256	1/2 in. x Short MPT nipple	6.29	7.56
4	1	R172086Z	1/2 in. Control valve	56.75	68.19
5	2	R172272	1/2 in. 90° NPT x tube fitting w/nut	8.08	9.71
5	Opt.	R172274	Compression nut only (for R172272)	2.97	3.57
7	2	R175013	S/S tubing clamp	6.47	7.77
8	2	R172262	Saddle tube fitting	6.29	7.56
9	2	R172263	Saddle gasket	2.36	2.84
10	2	R172264	Saddle clamp	11.96	14.37
13	1	R172036Z	Silicone lubricant	10.70	12.86
Order No.:		R172002			
Optional Drain Kit					
A		R172256	1/2 in. Short MPT nipple	6.29	7.56
B		R172086Z	1/2 in. Control valve	56.75	68.19
C		R172272	1/2 in. 90° NPT x tube fitting w/nut	8.08	9.71

CALIFORNIA PROPOSITION 65 WARNING
 ⚠️ WARNING: Cancer and Reproductive Harm.
 ⚠️ AVERTISSEMENT: Peut Causer le Cancer et des Dommages au Système Reproducteur.
 ⚠️ ADVERTENCIA: Cáncer y Daño Reproductivo.
www.p65warnings.ca.gov

AUTOMATIC FEEDER - MODEL 320

REPLACEMENT PARTS



CALIFORNIA PROPOSITION 65 WARNING
 ⚠️ **WARNING:** Cancer and Reproductive Harm.
 ⚠️ **AVERTISSEMENT:** Peut Causer le Cancer et des Dommages au Système Reproducteur.
 ⚠️ **ADVERTENCIA:** Cáncer y Daño Reproductivo.
 www.p65warnings.ca.gov. P652017A

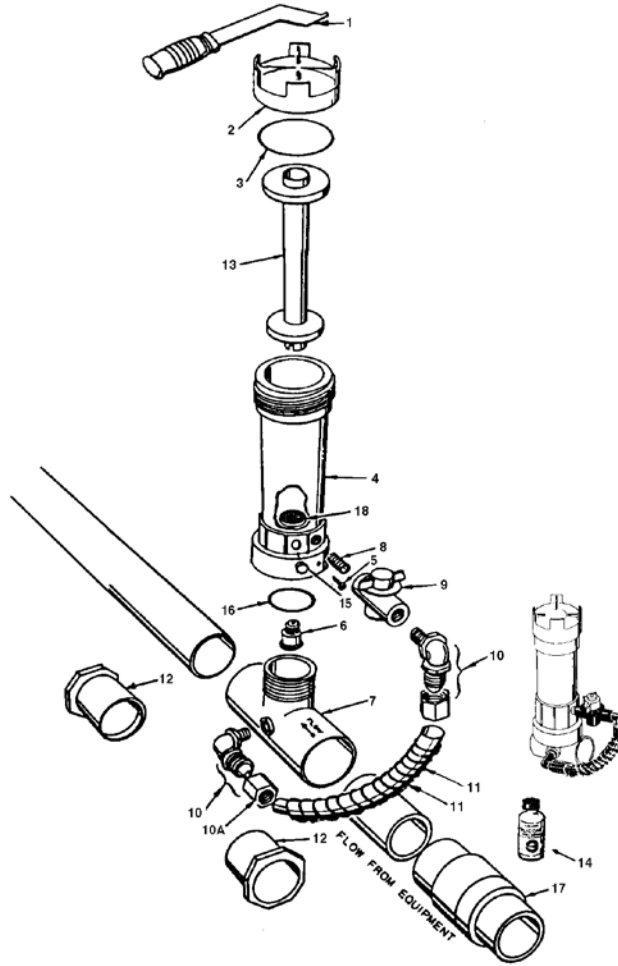
Item	Qty.	Part No.	Description	US List	Can. List
Order No.: R171096					
Model No.: 320					
Description: IN-LINE AUTOMATIC FEEDER					
1	Opt.	R172052	Cap wrench	31.27	37.57
2	1	R172008W	3 in. threaded cap - white	19.67	23.64
3	1	R172009Z	O-ring, cap	7.64	9.18
4	1	R172321	#320 Body only (new style)	56.04	67.34
5	1	R01052	Lock screw	1.60	1.92
6	1	R172248	Check valve	11.33	13.61
7	1	R172317	Diverter tee 1-1/2 NPT x 2 in. slip	29.30	35.21
8	1	R172256	1/2 in. x Short MPT nipple	6.29	7.56
9	1	R172086Z	1/2 in. Control valve	56.75	68.19
10	2	R172272	1/2 in. NPT x tube 90° ELL w/nut	8.08	9.71
10	Opt.	R172274	Compression nut only (for R172272)	2.97	3.57

Item	Qty.	Part No.	Description	US List	Can. List
11	1	R172091	5/8 in. o.d. Short feeder tube	6.09	7.32
11	Opt.	R171097	Tube support spring	6.29	7.56
12	2	R172210	2 in. x 1-1/2 in. S x S bushing for 1-1/2 in. PVC only ¹	6.29	7.56
13	Opt.	R172037	Spa chamber	18.06	21.70
14	1	R172036Z	Silicone lubricant, 3/4 oz.	10.70	12.86
15	1	210396Z	Screen	2.66	3.20
16	1	R172134	1/2 in. NPT PVC plug	6.92	8.32
17	1	R172253Z	5/8 in. o.d. 18 in. tube (optional top feed)	6.28	7.55
18	1	R172319	Bottom O-ring	1.60	1.92
19	Opt.	R172288	1-1/2 in. Corrosion resistant check valve	41.96	50.42
20	1	R172048B	Standpipe adapter, Bromine	1.64	1.97

¹ Not used with 2 in. PVC.

AUTOMATIC FEEDER - MODEL 322

REPLACEMENT PARTS



Item	Qty.	Part No.	Description	US List	Can. List
Order No.: R171100					
Model No.: 322					
Description: IN-LINE FEEDER					
1	Opt.	R172052	Cap wrench	31.27	37.57
2	1	R172008W	3 in. threaded cap, white	19.67	23.64
3	1	R172009Z	O-ring, cap	7.64	9.18
5	1	R01052	Lock screw	1.60	1.92
6	1	R172331	Check valve w/ restrictor	12.32	14.80
7	1	R172317	Diverter tee 1-1/2 NPT x 2 in. slip x slip	29.30	35.21
8	1	R172256	1/2 in. x Short MPT nipple	6.29	7.56
9	1	R172086Z	1/2 in. Control valve	56.75	68.19
10	2	R172272	1/2 in. NPT x tube 90° ELL w/nut	8.08	9.71

Item	Qty.	Part No.	Description	US List	Can. List
10A	Opt.	R172274	Compression nut only (for R172272)	2.97	3.57
11	1	R172091	5/8 in. o.d. short feeder tube	6.09	7.32
11	1	R171097	Tube support spring	6.29	7.56
12	2	R172210	2 in. x 1-1/2 in. S x S bushing (for 1-1/2 in. PVC only) ¹	6.29	7.56
13	1	R172258	Chemical chamber	17.28	20.76
14	1	R172036Z	Silicone lubricant, 3/4 oz.	10.70	12.86
15	1	R172007	1/4 in. NPT plug	6.29	7.56
16	1	R172319	Bottom O-ring	1.60	1.92
17	Opt.	R172288	1-1/2 in.-2 in. Corrosion resistant check valve	41.96	50.42
18	1	210396Z	Screen	2.66	3.20

¹ Not used with 2 in. PVC.

CALIFORNIA PROPOSITION 65 WARNING

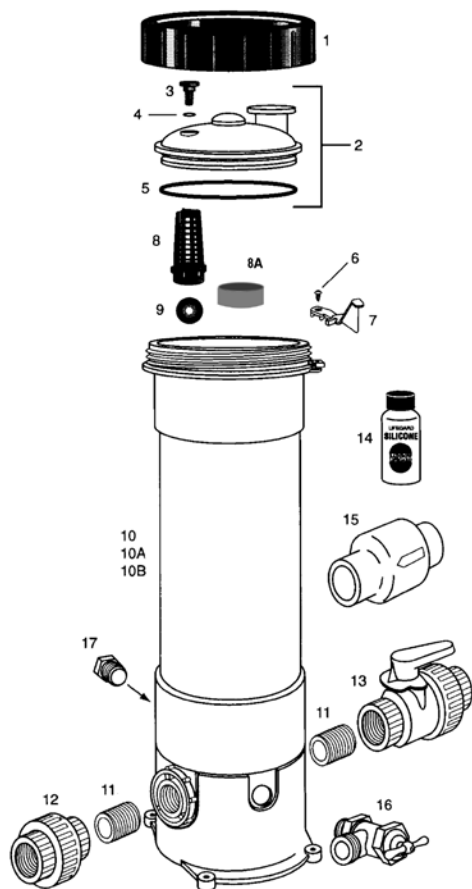
⚠ **WARNING:** Cancer and Reproductive Harm.
 ⚠ **AVERTISSEMENT:** Peut Causer le Cancer et des Dommages au Système Reproducteur.
 ⚠ **ADVERTENCIA:** Cáncer y Daño Reproductivo.

www.p65warnings.ca.gov

PR030714A

HIGH CAPACITY AUTOMATIC FEEDERS MODELS HC-3315, HC-3330, HC-3340

REPLACEMENT PARTS



Item	Qty.	Part No.	Description	US List	Can. List
Order No.: R171215, R171230, R171240					
Model No.: HC-3315, HC-3330, HC-3340					
Description: HIGH CAPACITY AUTOMATIC FEEDER					
1	1	R172214	Lock ring	19.32	23.21
2	1	R172385D	Lid assembly complete	34.09	40.96
3	1	R172224X	Vent valve	6.29	7.56
4	1	R172221	O-ring vent valve	1.60	1.92
5	1	R172240	O-ring lid to housing	20.16	24.22
6	1	R172375	Lock screw	1.60	1.92
7	1	R172374	Lock spring	6.29	7.56
8	1	R175251	Screen	6.37	7.65
8A	1	R171919	Check Valve Seat	CALL	CALL
9	1	R172435	Check ball	1.64	1.97
11	2	R270484	1 in. Close nipple	6.29	7.56
12	1	R270531	1 in. Threaded union	19.75	23.73
13	1	R172439	Control valve	91.32	109.73
14	1	R172036Z	Silicone lubricant, 3/4 oz.	10.70	12.86
15	Opt.	R172288	1-1/2 in.-2 in. Check valve	41.96	50.42
16	1	R175009	Hose Bib w/t Handle 1/2 in.	19.43	23.35
17	1	R172134	1/2 in. threaded plug	6.92	8.32
NOT SHOWN					
		R172082	Flow rate indicator	CALL	CALL

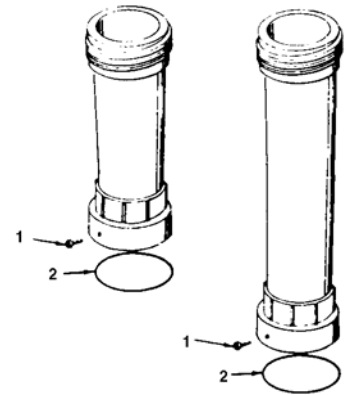
CALIFORNIA PROPOSITION 65 WARNING

⚠ **WARNING:** Cancer and Reproductive Harm.
 ⚠ **AVERTISSEMENT:** Peut Causer le Cancer et des Dommages au Système Reproducteur.
 ⚠ **ADVERTENCIA:** Cáncer y Daño Reproductivo.
www.p65warnings.ca.gov

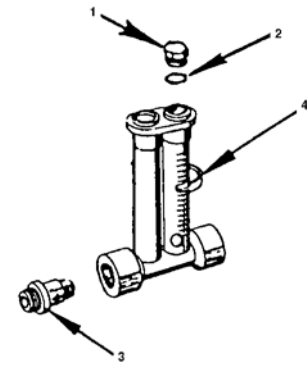
EXTENSIONS / DISPENSERS / FLOW INDICATORS

REPLACEMENT PARTS

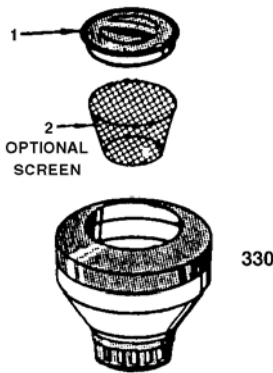
Item	Qty.	Part No.	Description	US List	Can. List
Order No.: R172087 10 IN. EXTENSION COMPLETE					
Order No.: R172283 20 IN. EXTENSION COMPLETE					
1	1	R172078	Lockscrew (bottom collar)	1.60	1.92
2	1	R172009Z	O-ring	7.64	9.18
Order No.: R172080 Description: FLOW INDICATOR					
1	1	R172392	Access plug 1/4 in. MPT	6.29	7.56
2	1	R172393	O-ring	6.29	7.56
3	1	R172020	Check valve	5.19	6.24
4	1	R172235	Marker clip	6.47	7.77
Order No.: R172627 Description: CORROSION RESISTANT FLOW INDICATOR					
1	1	R172276	Commercial flow indicator	72.89	87.58
1A	1	R172313	1/2 in. Coupling (included with flow indicator)	6.47	7.77
2	1	R270422	1/2 in. x 90° Elbow FPT	6.47	7.77
3	1	R172272	1/2 in. x 90° NPT x tube fitting with nut	8.08	9.71
4	1	R172628	Saddle clamp with inlet fitting (threaded)	27.16	32.64
5	1	R172263	Saddle gasket	2.36	2.84
6	1	R172324	1/2 in. Corrosion resistant check valve. Tube x tube	CALL	CALL
Order No.: R171086 Model No.: 330 Description: FLOATING DISPENSER					
1	1	R18729B	Lid only (new style – fits 'B' body)	6.29	7.56
2	1	R18856	Screen	8.99	10.80
Order No.: R171130 Description: SPLASHER POOL/SPA DISPENSER					
1	1	R18902	Cap	2.14	2.57
Order No.: R171090 Model No.: 335 Description: SPA OR SMALL POOL FLOATING DISPENSERS					
1	1	R18855	Screen	3.37	4.05
1	1	R18819	Lock ring	6.15	7.39



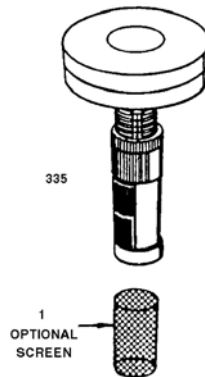
R172087 R172283



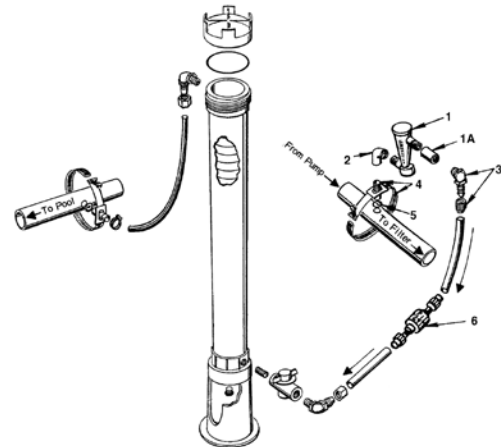
R172080



R171086



R171090



R172627

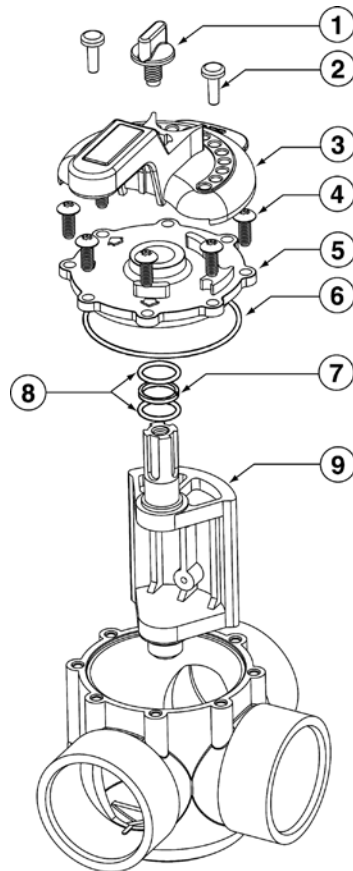
CALIFORNIA PROPOSITION 65 WARNING
 ⚠️ **WARNING:** Cancer and Reproductive Harm.
 ⚠️ **AVERTISSEMENT:** Peut Causer le Cancer et des Dommages au Système Reproducteur.
 ⚠️ **ADVERTENCIA:** Cáncer y Daño Reproductivo.
www.p65warnings.ca.gov PB 20251A

VALVE PARTS

Product Catalog 2020

DIVERTER VALVES – 1-1/2 IN. AND 2 IN.

REPLACEMENT PARTS (PACFAB AND COMPOOL VALVES)



CALIFORNIA PROPOSITION 65 WARNING

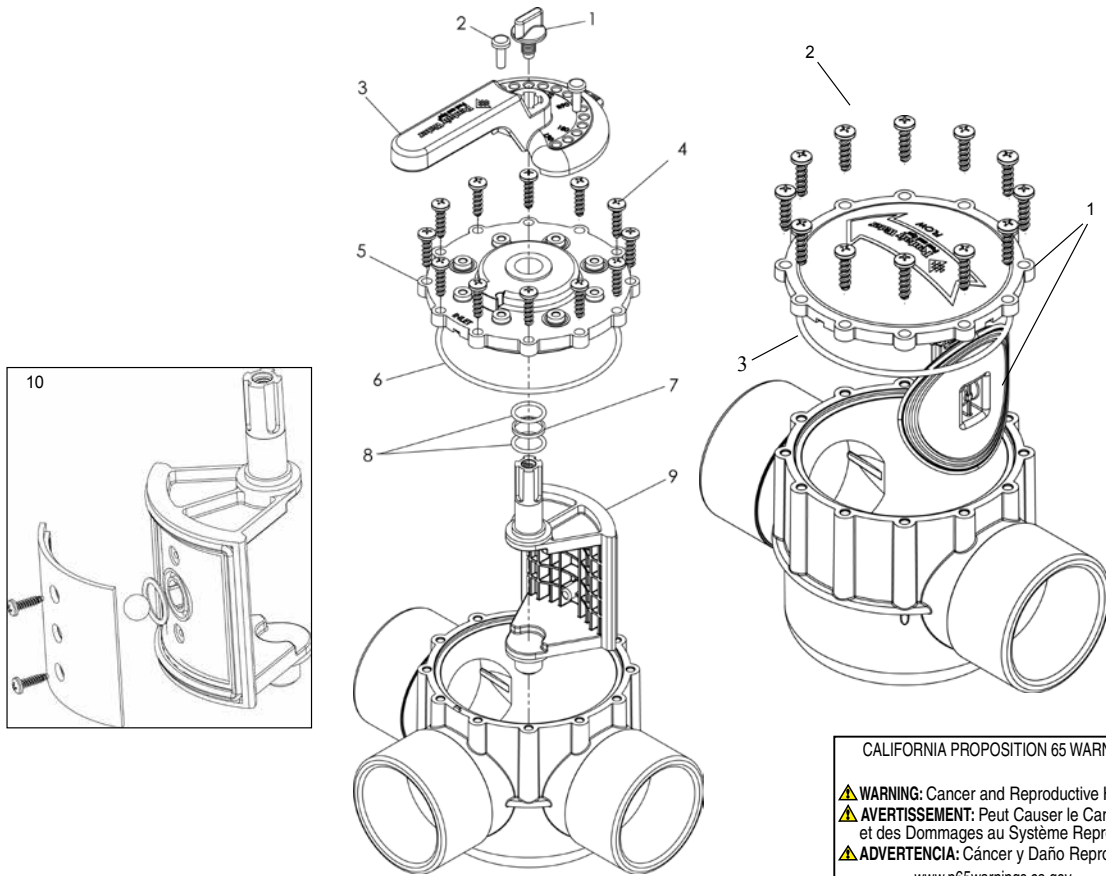
⚠ **WARNING:** Cancer and Reproductive Harm.
 ⚠ **AVERTISSEMENT:** Peut Causer le Cancer et des Dommages au Système Reproducteur.
 ⚠ **ADVERTENCIA:** Cáncer y Daño Reproductivo.
www.p65warnings.ca.gov

Item No.	Part No.	Description	US List	Can. List
DIVERTER VALVES – 1-1/2 IN. AND 2 IN.				
1	270032	Handle Knob 2 & 3-Way Valve	19.10	22.95
2	270021	Pin stop 2 & 3-Way Valve	2.40	2.88
3	270028	Handle 2 & 3-Way Valve	18.88	22.69
4	520389	Screw Kit, (8 Screws)	43.53	52.31
5	270030	Cover CPVC 2 & 3-Way Valve	20.09	24.14
6	51016200Z	O-ring #2-152 Buna 70 Shore	4.06	4.88
7	270038	Spacer ring	1.17	1.41
8	192039Z	O-ring #2-116 Buna 70 Shore	0.32	0.38
9	270056	Diverter assy. 2 & 3-Way Valve, (2–2-1/2 in.) ¹	74.84	89.93
9	270075	Diverter assy. 2 & 3-Way Valve, (1-1/2–2 in.) ¹	86.08	103.43
9	270094	Diverter assy. 3-Way Solar Valve w/ drain down, (2–2-1/2 in.)	125.48	150.78
NOT SHOWN				
	263042Z	Check Valve Replacement Kit	88.00	105.74

¹ Includes: P/N 270038 (Spacer split ring) and P/N 192039Z (O-ring).

FULLFLOXF® DIVERTER & CHECK VALVES – 2-1/2" & 3"

REPLACEMENT PARTS

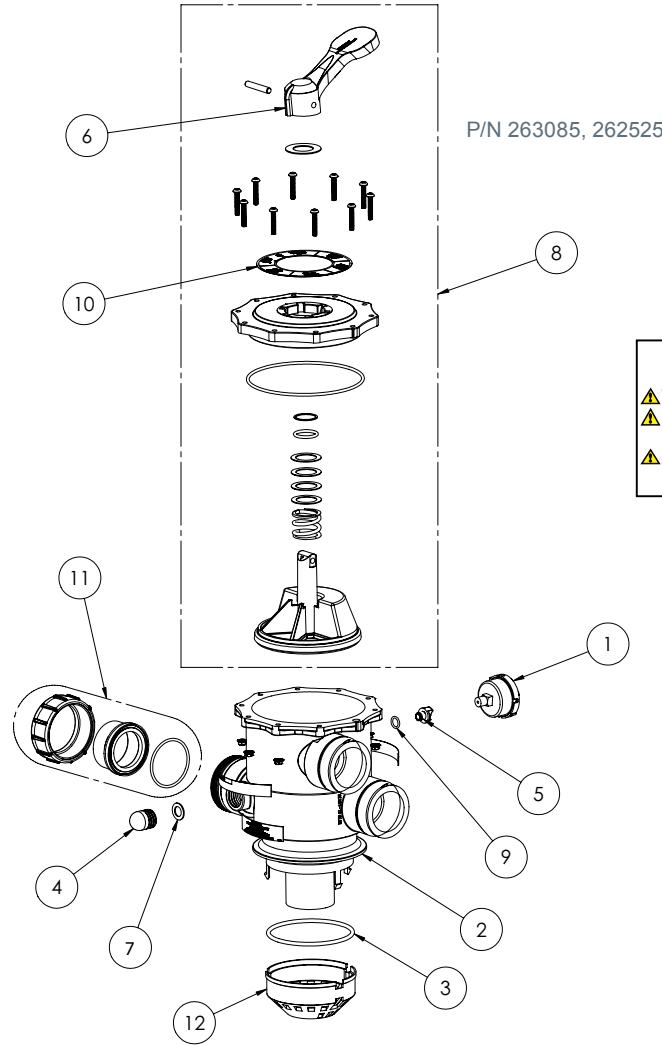


CALIFORNIA PROPOSITION 65 WARNING
 ⚠️ **WARNING:** Cancer and Reproductive Harm.
 ⚠️ **AVERTISSEMENT:** Peut Causer le Cancer et des Dommages au Système Reproducteur.
 ⚠️ **ADVERTENCIA:** Cáncer y Daño Reproductivo.
www.p65warnings.ca.gov PH 201714

Item No.	Part No.	Description	US List	Can. List
DIVERTER VALVE				
1	271074Z	Screw Handle Lock	19.11	22.96
2	271072Z	Pin Handle Stop	2.41	2.90
3	270118Z	Handle	CALL	CALL
4	271077Z	Screw Kit (12 screws/kit)	CALL	CALL
5	270115Z	Diverter Valve Cover	28.65	34.43
6	270116Z	O-Ring, 2-248 Buna-N 70 Shore A (1 req.)	8.95	10.75
7	271073Z	O-ring, Spacer (1 req.)	4.47	5.37
8	192039Z	O-Ring, 2-116 Buna-N 70 Shore A (2 req.)	0.32	0.38
9	270106Z	Diverter Shaft Assy	96.67	116.16
10	270107Z	Diverter Assy Solar 3-Way Valve w/ Drain Down Check Valve	143.19	172.06
CHECK VALVE				
1	270119Z	Check Valve Flapper Replacement Kit (includes items 2 & 3)	121.01	145.41
2	271077Z	Screw Kit (12 Screw/Kit)	53.69	64.51
3	270116Z	O-Ring 2-248 Buna-N 70 Shore A (1 req.)	8.95	10.75

2 IN. TOP MOUNT VALVE

REPLACEMENT PARTS



CALIFORNIA PROPOSITION 65 WARNING
 ⚠️ **WARNING:** Cancer and Reproductive Harm.
 ⚠️ **AVERTISSEMENT:** Peut Causer le Cancer et des Dommages au Système Reproducteur.
 ⚠️ **ADVERTENCIA:** Cáncer y Daño Reproductivo.
 www.p65warnings.ca.gov. P/N263085

Item	Part No.	Description	US List	Can List
6 POSITION TOP MOUNT CLAMP-ON MULTIPOST VALVE				
1	190059Z	Pressure Gauge	47.34	56.88
2	270210Z	Valve Body	88.62	106.49
3	272541	Valve Body O-Ring	8.80	10.57
4	272556Z	Sight Glass	18.42	22.13
5	272557Z	Drain Plug	18.24	21.92
6	272558Z	Handle	27.78	33.38
7	272567Z	Sight Glass Gasket	18.42	22.13
8	272568Z	Valve Top Assembly*	175.18	210.50
9	272573Z	Drain Plug O-Ring	18.42	22.13
10	272576Z	Valve Position Label	20.69	24.86
11	272590Z	Union Kit	52.15	62.66
12	274402Z	Diffuser	34.76	41.77

* Item #8 does not include screws.

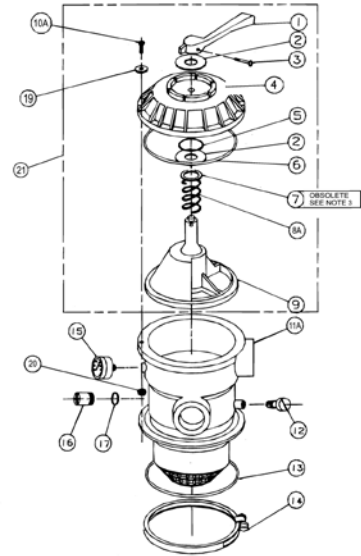
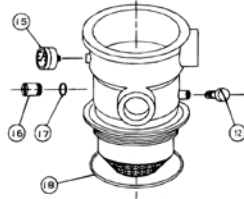
SIX-WAY 1-1/2 IN. TOP MOUNT HIFLOW™ VALVES

REPLACEMENT PARTS (PACFAB MULTIPORT VALVES 262504, 262505, 262506)

NOTE

- ¹ VALVES MANUFACTURED BEFORE MARCH 1, 1993 DO NOT CONTAIN ITEM 16 SIGHT GLASS OR ITEM 17 SIGHT GLASS GASKET.
- ² CLAMP STYLE VALVES MANUFACTURED BEFORE MARCH 1, 1993 CONTAIN A DIFFERENT AIR BLEEDER WITH O-RING P/N 272515. THIS PART IS NOT INTERCHANGEABLE WITH P/N 273512. THREADED VALVES MANUFACTURED BEFORE MARCH 1, 1993 DO NOT CONTAIN AN AIR BLEEDER WITH O-RING.
- ³ ITEM 8A USED ON VALVES MANUFACTURED AFTER MAY 1, 1992 AND REPLACES BOTH ITEMS 7 AND 8.
- ⁴ ITEMS 10A, 19 AND 20 ARE USED ON VALVES MANUFACTURED AFTER APRIL 15, 1994 AND REPLACE ITEM 10.

For (261130) 6 in.
Buttress Style Valve For
TA Filters



For (262504) (262505)(262506) Clamp Style Valve For TA-D Filters

CALIFORNIA PROPOSITION 65 WARNING

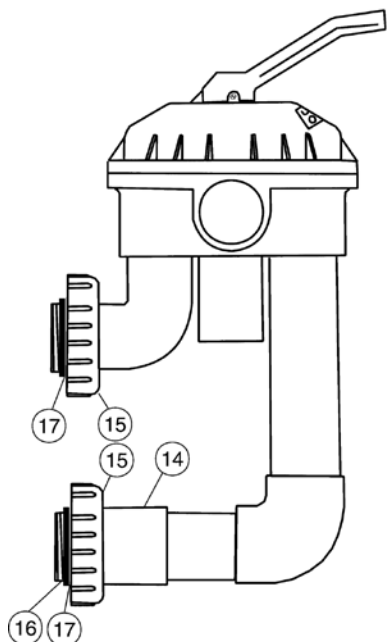
⚠ **WARNING:** Cancer and Reproductive Harm.
 ⚠ **AVERTISSEMENT:** Peut Causer le Cancer et des Dommages au Système Reproducteur.
 ⚠ **ADVERTENCIA:** Cáncer y Daño Reproductivo.

www.p65warnings.ca.gov P65-0114

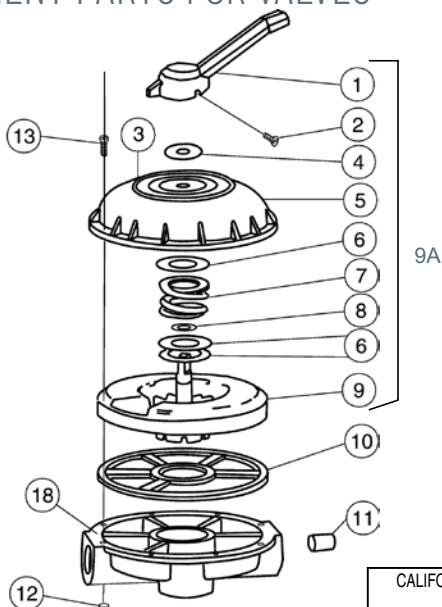
-Item No.	Part No.	Description	US List	Can. List
6-WAY HIFLOW MULTIPORT VALVES				
1	272520	Handle	26.97	32.41
2	272505	Washer plastic, 2 req.	3.03	3.64
3	272405	Screw - handle	1.77	2.13
4	272599	Six-way valve label	6.29	7.56
5	272511	O-ring - diverter shaft	1.69	2.03
6	354053	O-ring - valve top	29.88	35.90
7	271193	Washer - s/s ³	2.59	3.11
8	272400	Spring - comp. 100 lb. 1-13/16 o.d. ³	10.12	12.16
8A	272535	Spring - comp. 100 lb. 1-3/8 o.d. ³	5.40	6.49
9	272512	Diverter w/ gasket	57.87	69.54
10A	354541	Screw #10-24 hex pan head, 6 req. ⁴	2.36	2.84
11A	272530	Valve body w/ diffuser - clamp style	141.75	170.33
12	273512	Air bleeder with O ring ²	12.56	15.09
13	272541	O-ring - 3/16 in. x 4-5/8 in. i.d.	8.80	10.57
14	152165	Clamp	26.97	32.41
15	190059Z	Pressure gauge	47.34	56.88
16	272550	Sight glass ¹	14.31	17.19
17	271106	Gasket - sight glass ¹	3.20	3.85
18	154493	O-ring	5.84	7.02
19	272555	Washer - 9/16 s/s, 6 req. ⁴	1.77	2.13
20	272554	Nut - #10-24 serrated flange s/s, 6 req. ⁴	2.16	2.60
21	272531	HiFlow 1-1/2 in. top valve assy.	177.17	212.89

2 IN. HIFLOW™ VALVES

REPLACEMENT PARTS FOR VALVES



Valves
261049
261050
261142



CALIFORNIA PROPOSITION 65 WARNING
 ⚠️ **WARNING:** Cancer and Reproductive Harm.
 ⚠️ **AVERTISSEMENT:** Peut Causer le Cancer et des Dommages au Système Reproducteur.
 ⚠️ **ADVERTENCIA:** Cáncer y Daño Reproductivo.
www.p65warnings.ca.gov PA2019A

Item	Part No.	Description	US List	Can. List
2 IN. HIFLOW VALVES				
1	272520	Handle	26.97	32.41
2	272405	Screw - Handle	1.77	2.13
3	272120	Label	CALL	CALL
4	272402	Washer - Plastic	3.08	3.70
5	272412	Valve Top	61.18	73.51
6	271193	Washer - 18 GA., 2 req.	2.59	3.11
7	272400	Spring - Compression	10.12	12.16
8	JV18	O-ring Kit Bag	1.22	1.47
9	272413Z	Diverter	108.12	129.92
9A	272422	Valve top assy. ¹	231.92	278.68
10	272409	Seal - Diverter	42.11	50.60
11	154566	Sight Glass 2 in. clear	16.47	19.79
12	98211400	Nut 1/4 in.- 20 Hex, 8 req.	2.81	3.38
13	272403	Screw 1/4 in.- 20, 8 req.	1.89	2.27
15	274407	Nut - Bulkhead adapter, 2 req.	18.66	22.42
16	274426	Adapter - Union Kit	53.69	64.51
17	274494	O-ring - Bulkhead adapter, 2 req.	5.32	6.39
18	272433	Valve btm. 2 in. w/ gasket ²	143.94	172.96

¹ This part number includes items 1 thru 9.

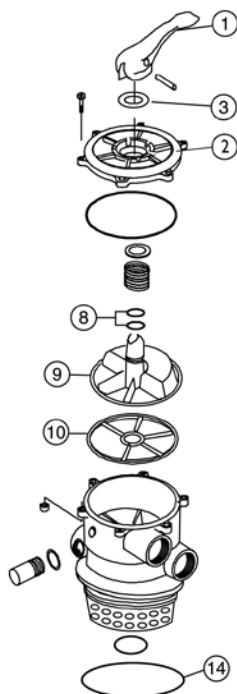
² 272433 valve btm. 2 in. w/ gasket contains one each of: 272409 seal diverter and 272415 Plate 2 in. valve btm.

TOP MOUNT CLAMP-ON MULTIPOINT VALVES

REPLACEMENT PARTS FOR AMERICAN VALVES

P/N 50113100
1-1/2 in. thrd.

P/N 50123100
2 in. slip



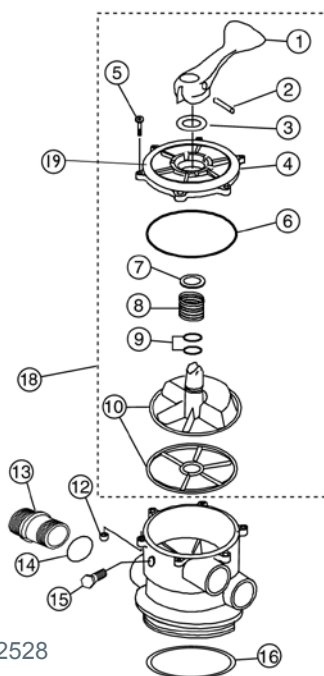
Item	Part No.	Description	US List	Can. List
6 POSITION TOP MOUNT CLAMP-ON MULTIPOINT VALVE				
1	271156	Handle	35.68	42.87
2	98740900	Label multipoint valve - 2 in. eclipse	CALL	CALL
3	51001400	Washer, poly	10.37	12.46
8	191479	O-ring	1.45	1.74
9	51002800	Rotor 1-1/2 in.	86.87	104.38
9	51002900	Rotor 2 in.	91.02	109.37
10	271104	Gasket, spider, 1-1/2 in. valve	28.65	34.43
10	271148Z	Gasket, spider, 2 in. valve	41.21	49.52
14	39300600Z	O-ring, 26 & 30 in. filter	22.22	26.70

CALIFORNIA PROPOSITION 65 WARNING

⚠ **WARNING:** Cancer and Reproductive Harm.
 ⚠ **AVERTISSEMENT:** Peut Causer le Cancer et des Dommages au Système Reproducteur.
 ⚠ **ADVERTENCIA:** Cáncer y Daño Reproductivo.
www.p65warnings.ca.gov

TOP MOUNT CLAMP-ON MULTIPOINT VALVES

REPLACEMENT PARTS FOR AMERICAN VALVES



P/N 272528

5 Position Product No.: 50115100

8 Position Product Nos.: 50118100,
50118200, & 50118300

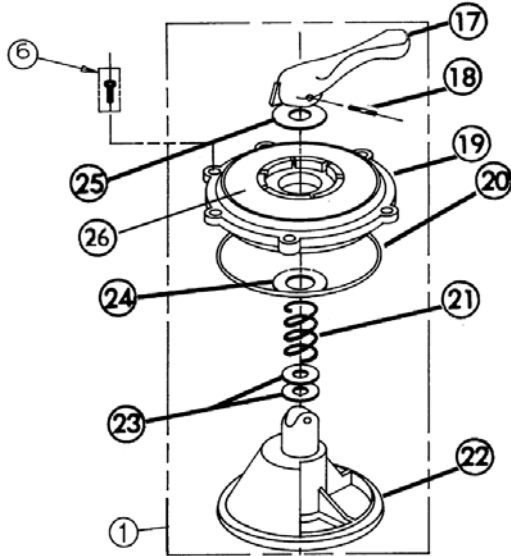
Item	Part No.	Description	US List	Can. List
5 & 8 POSITION TOP MOUNT CLAMP-ON MULTIPOINT VALVE				
1	50131100	Handle, 8-pos.	36.45	43.80
2	50151400	Pin, handle	7.11	8.54
3	51025700	Washer, poly	9.56	11.49
4	50133100	Lid assy., 8-pos., w/ label	60.78	73.03
5	98209000	Screw 14-20 x 1-1/2 in., 6 req.	2.25	2.70
6	50151700	O-ring, lid	15.17	18.23
7	51021600	Washer	7.63	9.17
8	51000700	Spring	13.16	15.81
9	191479	O-ring, rotor, 2 req.	1.45	1.74
10	50131400	Rotor, spider gasket assy.	41.95	50.41
12	98211400	Nut, 1/4 in. -20, 6 req.	2.81	3.38
13	85019000	Sight glass, 18, 20 in. sand filter	23.49	28.23
13	85019100	Sight glass, 22, 26 in. sand filter	23.49	28.23
14	50152300	O-ring, backwash sight glass	5.65	6.79
15	98206400	Plug, 1/4 in. NPT w/ O-ring	4.10	4.93
16	39300600Z	O-ring, 26, 30 in. sand filter	22.22	26.70
18	272528	Top Valve Assy.	168.96	203.02
19	96734200	Label multipoint valve 8 pos.	CALL	CALL

CALIFORNIA PROPOSITION 65 WARNING

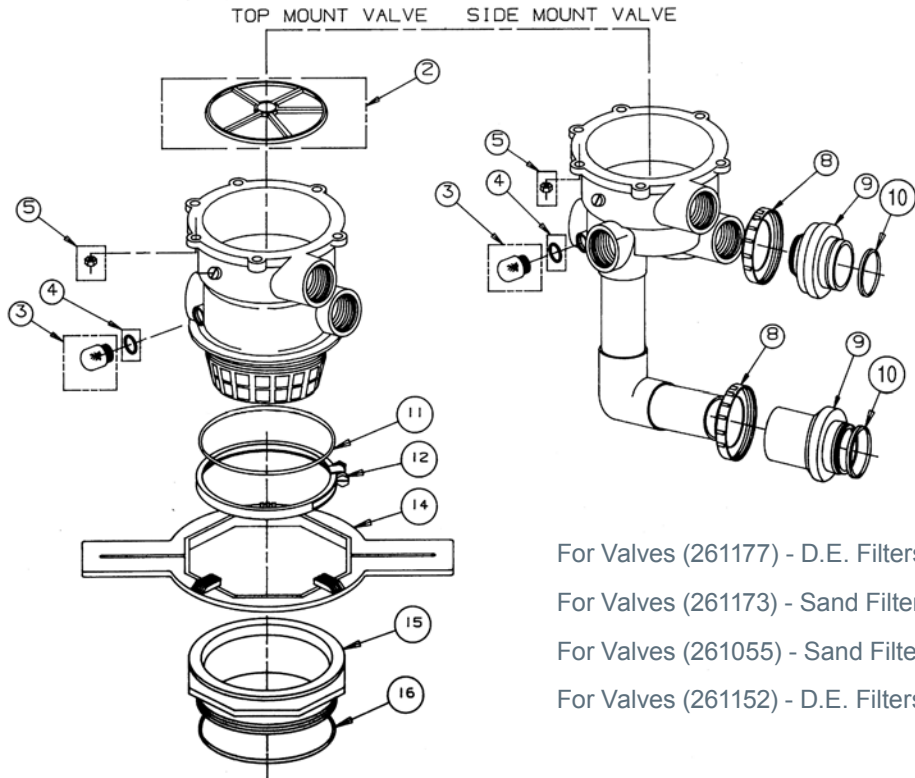
⚠ **WARNING:** Cancer and Reproductive Harm.
 ⚠ **AVERTISSEMENT:** Peut Causer le Cancer et des Dommages au Système Reproducteur.
 ⚠ **ADVERTENCIA:** Cáncer y Daño Reproductivo.
www.p65warnings.ca.gov

TOP MOUNT / SIDE MOUNT VALVES

REPLACEMENT PARTS FOR PACFAB MULTIPOINT VALVES



For use on TR, TA, NS or FNS filters



For Valves (261177) - D.E. Filters
 For Valves (261173) - Sand Filters
 For Valves (261055) - Sand Filters
 For Valves (261152) - D.E. Filters

For Valves (261124, 261185)

CALIFORNIA PROPOSITION 65 WARNING
 ⚠️ WARNING: Cancer and Reproductive Harm.
 ⚠️ AVERTISSEMENT: Peut Causer le Cancer et des Dommages au Système Reproducteur.
 ⚠️ ADVERTENCIA: Cáncer y Daño Reproductivo.
www.p65warnings.ca.gov PH 201714A

TOP MOUNT / SIDE MOUNT VALVES (CONT'D)

REPLACEMENT PARTS FOR PACFAB MULTIPOUR VALVES

Item	Part No.	Description	US List	Can. List
TM/SM HIFLOW MULTIPOUR VALVES				
1	270068	Top valve assy. 1-1/2 in.	214.26	257.45
1	270067	Top valve assy. 2 in.	254.78	306.14
2	271104	Gasket - diverter, 1-1/2 in.	28.65	34.43
2	271148Z	Gasket - diverter, 2 in.	41.21	49.52
3	272550	Sight glass	14.31	17.19
4	271106	Gasket - sight glass	3.20	3.85
5	152167	Nut, M6 s/s, 6 req.	1.65	1.98
6	152168	Screw - M6 x 30mm s/s, 6 req.	2.30	2.76
8	274407	Nut - bulkhead adapter, 2 req.	18.66	22.42
9	274404	Adapter - valve, slip 1-1/2 in.	26.97	32.41
9	274651	Adapter - valve, threaded 1-1/2 in.	14.39	17.29
9	274556	Adapter - valve thread, 2 in.	16.73	20.10
10	274494	O-ring - adapter, 2 req.	5.32	6.39
11	272541	O-ring - valve adapter, 1-1/2 in.	8.80	10.57
11	275333	O-ring - valve, 2 in.	7.48	8.99
12	152165	Clamp with screws and nuts, 1-1/2 in.	26.97	32.41
12	152130	Band assy. - valve, 2 in.	114.39	137.45
14	154512	Wrench - flanged valve, 1-1/2 in.	28.36	34.08
14	151608	Wrench - adapter flange	CALL	CALL
15	155225	Adapter - flanged std. thread, 1-1/2 in.	41.89	50.34
15	152520Z	Adapter - flanged buttress, 1-1/2 in.	118.66	142.58

Item	Part No.	Description	US List	Can. List
15	154521	Adapter - flange buttress thread, 2 in.	74.48	89.50
16	154493	O-ring flanged valve adapter, 1-1/2 in.	5.84	7.02
16	152501	O-ring - adapter, 2 in.	7.23	8.69
17	271156	Handle	35.68	42.87
18	271164	Pin, handle	14.39	17.29
19	271158	Valve top, white, 1-1/2 in.	65.05	78.16
19	271165	Valve top, black, 1-1/2 in.	65.05	78.16
19	271166	Top valve cover, blk, 2 in.	97.50	117.16
19	271169	Top valve cover, blk, 2 in.	97.50	117.16
20	271103	O-ring, valve top, 1-1/2 in.	16.95	20.37
20	271151	O-ring, valve top, 2 in.	20.85	25.05
21	271161	Valve spring	48.29	58.03
22	271163	Valve diverter, 1-1/2 in.	86.81	104.31
22	271168	Valve diverter, 2 in.	97.50	117.16
23	191479	O-ring, stem, 2 req.	1.45	1.74
24	271160	Washer, valve spring	10.55	12.68
25	271157	Washer, handle	10.55	12.68
26	273208	Label 2 in. Sand (261055)	CALL	CALL
26	273207	Label 2 in. D.E. (261152)	CALL	CALL
26	271140	Label 1.5 in. Sand (261173)	CALL	CALL
26	271141	Label 1.5 in. D.E. (261177)	CALL	CALL
26	272035	Label 1.5 in. Sand (261124)	CALL	CALL
26	273211	Label 2 in. Sand (261185)	CALL	CALL

CALIFORNIA PROPOSITION 65 WARNING

⚠️ **WARNING:** Cancer and Reproductive Harm.
 ⚠️ **AVERTISSEMENT:** Peut Causer le Cancer et des Dommages au Système Reproducteur.
 ⚠️ **ADVERTENCIA:** Cáncer y Daño Reproductivo.
www.p65warnings.ca.gov

Product on pages 278 and 280.

MULTIPOINT SIDE MOUNT 1-1/2 IN. VALVES

REPLACEMENT PARTS FOR STA-RITE VALVES



Item	Part No.	Description	US List	Can. List
MULTIPOINT SIDE MOUNT 1-1/2 IN. VALVE				
2	14962-0017	Plug and Gasket	111.36	133.81
4	98211400	Hex Nut, 1/4-20 S.S.	2.81	3.38
5	WC78-40T	Plug, 1/4 in.	3.67	4.41
7	35857-0021	Dowel Pin, 5/16 x 2-1/2 in. S.S.	7.63	9.17
11	14962-0005	Washer	4.32	5.19
12	35505-1228	O-Ring	4.32	5.19
13	14962-0011	Spring	21.96	26.39
14	35505-1272	O-Ring	11.60	13.94
NOT SHOWN				
	14962-0035	Spring and O-Ring Kit, Includes Items 11, 12, 13 & 14	45.94	55.20

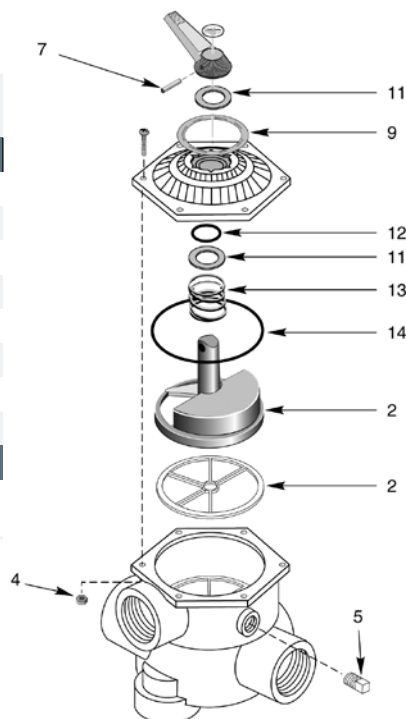
MODELS

14964-0014 – Hose Connection

WC212-143P – Union onnection

CALIFORNIA PROPOSITION 65 WARNING

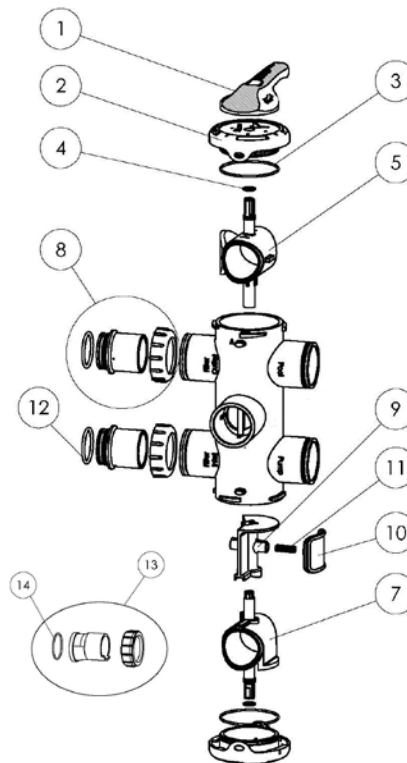
⚠ **WARNING:** Cancer and Reproductive Harm.
 ⚠ **AVERTISSEMENT:** Peut Causer le Cancer et des Dommages au Système Reproducteur.
 ⚠ **ADVERTENCIA:** Cáncer y Daño Reproductivo.
www.p65warnings.ca.gov



FULLFLOXF® BACKWASH VALVE

REPLACEMENT PARTS FOR VALVES

Item	Part No.	Description	US List	Can. List
FULLFLOXF BACKWASH VALVE				
1	270187Z	Handle	53.69	64.51
2	270190Z	End Cap, 2 Req.	46.55	55.93
3	270197Z	O-Ring #2-244 Buna, 2 Req.	8.59	10.32
4	192039Z	O-Ring #2-116 Buna, 2 Req.	0.32	0.38
5	270199Z	Outlet Diverter	71.61	86.05
7	270200Z	Inlet Diverter	71.61	86.05
8	274426Z	Pentair Union Assembly	53.69	64.51
9	274416Z	Center Diverter	53.69	64.51
10	274417Z	Waste Seal	53.69	64.51
11	274421Z	Waste Seal Spring	12.52	15.04
12	274494	O-Ring #2-332 Buna	5.32	6.39
13	261067Z	Sta-Rite Union Assembly	53.69	64.51
14	U9-362	O-Ring #2-231 Buna	5.41	6.50
NOT SHOWN				
	270514Z	Rebuilt Kit includes Item 3 (Qty. 2), Item 4 (Qty. 2), and Items 5, 7, and 10.	179.00	215.09
	411101Z	XF Union Kit	107.40	129.05



MULTIPORT SIDE MOUNT 1-1/2 & 2 IN. VALVES

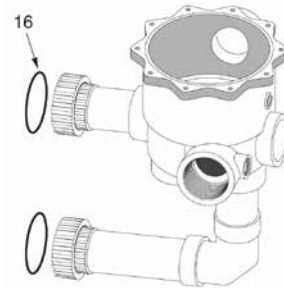
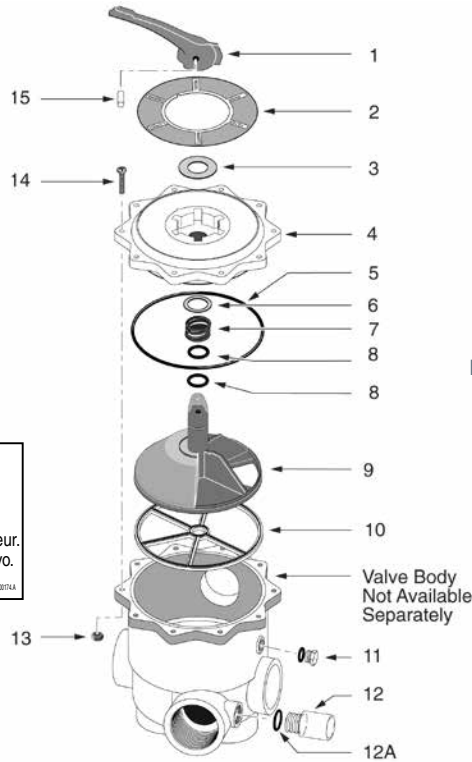
REPLACEMENT PARTS FOR STA-RITE VALVES



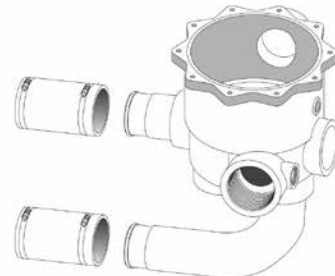
MODELS

- 18202-0150
- 18202-0150H
- 18201-0200
- 18201-0200H
- 18201-0300
- 18202-0250

CALIFORNIA PROPOSITION 65 WARNING
 ⚠️ **WARNING:** Cancer and Reproductive Harm.
 ⚠️ **AVERTISSEMENT:** Peut Causer le Cancer et des Dommages au Système Reproducteur.
 ⚠️ **ADVERTENCIA:** Cáncer y Daño Reproductivo.
www.p65warnings.ca.gov PR 201714



Models 18202-0150, 18201-0200, and 18201-0300 include union halves as shown.



Models 18202-0150H and 18202-0200H require hose connector kits.

Item	Part No.	Description	US List	Can. List
MULTIPORT SIDE MOUNT 1-1/2 & 2 IN. VALVE				
1	14971-SM10E1	Handle	42.23	50.74
2	32155-4136	Label Decal (2 in. Valve) (18201-0200 & 18201-0200H)	CALL	CALL
2	32155-4133	Label Decal (1.5 in. Valve) (18202-0150 & 18202-0150H)	CALL	CALL
2	32155-4171	Label Decal (1.5 in. Valve) (18202-0250)	CALL	CALL
3	14971-SM10E3	Washer	12.06	14.49
4	14971-SM10E6	Valve Cover (1-1/2 in. Valve)	77.11	92.66
4	14971-SM20E6	Valve Cover (2 in. Valve)	65.19	78.33
5	14971-SM20E7	Cover O-Ring (2 in. Valve)	17.94	21.56
6	14971-SM10E8	Washer	12.06	14.49
7	14971-SM10E9	Spring	52.75	63.38
8	14971-SM10E10	O-Ring	10.83	13.01
9	14971-SM10E11	Plug (1-1/2 in. Valve)	71.12	85.46
9	14971-SM20E11	Plug (2 in. Valve)	67.71	81.36
10	14971-SM10E12	Spider Gasket (1-1/2 in. Valve)	21.74	26.12
10	14971-SM20E12	Spider Gasket (2 in. Valve)	47.45	57.02
11	U178-920P	1/4 in. NPT Plug w/ O-Ring	3.67	4.41
12	14971-SM10E17	Sight Glass	18.30	21.99
12A	14971-SM10E16	Sight Glass Gasket	6.71	8.06
13	14971-SM10E14	Nut (6 for 1-1/2 in., 10 for 2 in.)	2.83	3.40
14	14971-SM10E4	Bolt (6 for 1-1/2 in., 10 for 2 in.)	4.26	5.12
15	14971-SM10E2	Handle Pin	17.06	20.50
16	U9-362	O-Ring (-0150, -0200 only)	5.41	6.50

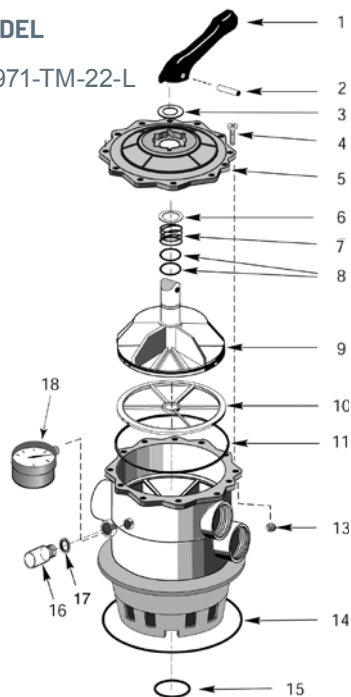
MULTIPOINT 2 IN. VALVES

REPLACEMENT PARTS FOR STA-RITE VALVES



MODEL

14971-TM-22-L



Item	Part No.	Description	US List	Can. List
MULTIPOINT 2 IN. VALVE				
1	14971-SM10E1	Handle (ABS)	42.23	50.74
2	14971-SM10E2	Pin (S.S. 304)	17.06	20.50
3	14971-SM10E3	Washer	12.06	14.49
4	14971-SM10E4	Screw (S.S. 304)	4.26	5.12
5	14971-SM20E6	Valve Cover (ABS)	65.19	78.33
6	14971-SM10E8	Washer	12.06	14.49
7	14971-SM10E9	Spring (S.S. 304)	52.75	63.38
8	14971-SM10E10	O-Ring (Mitrile)	10.83	13.01
9	14971-SM20E11	Plug & Gasket Assembly	67.71	81.36
10	14971-SM20E12	Gasket (Kratom)	47.45	57.02
11	14971-SM20E7	O-Ring, Cover	17.94	21.56
13	14971-SM10E14	Nut, Hex (S.S. 304)	2.83	3.40
14	U9-369	O-Ring, Tank Flange	17.64	21.20
15	35505-1243	O-Ring, Stand Pipe	3.85	4.63
16	14971-SM10E17	Sight Glass	18.30	21.99
17	14971-SM10E16	Sight Glass, Gasket	6.71	8.06
18	15060-0000T	Gauge, Pressure	47.86	57.51
NOT SHOWN				
	14971-SM20E50	Key Assembly Items 1-10	425.30	511.04

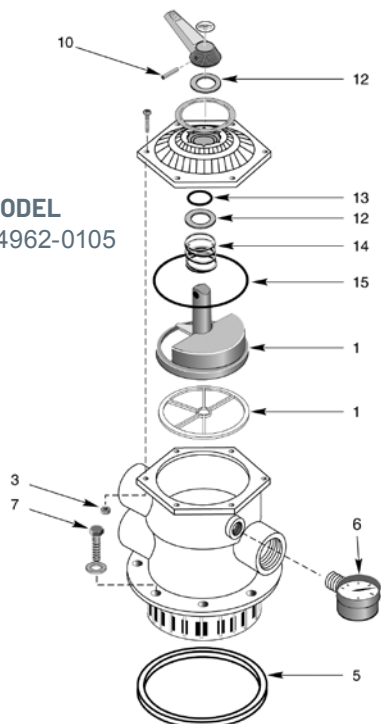
MULTIPOINT TOP MOUNT 1-1/2 IN. VALVES

REPLACEMENT PARTS FOR STA-RITE VALVES



MODEL

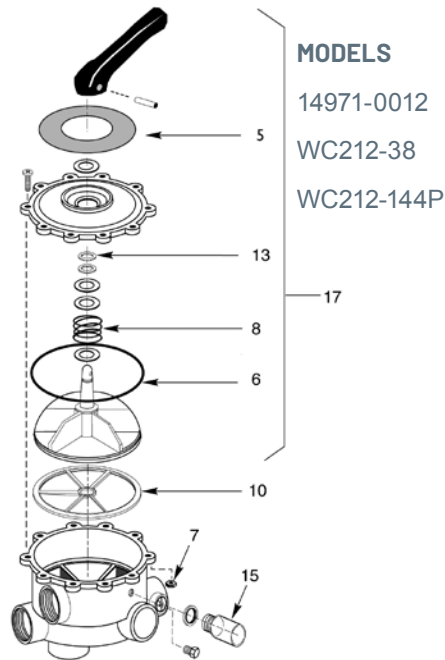
14962-0105



Item	Part No.	Description	US List	Can. List
MULTIPOINT TOP MOUNT 1-1/2 IN. VALVE				
1	14962-0017	Plug with Gasket	111.36	133.81
3	98211400	Hex Nut, 1/4-20 S.S.	2.81	3.38
5	14962-0021	Square Ring, BUNA-N	22.40	26.92
6	15060-0000T	Pressure Gauge - 0-60 PSI	47.86	57.51
7	U30-74SS	Bolt, 3/8-16 x 1 in. S.S.	4.83	5.80
10	35857-0021	Dowel Pin, 5/16 x 2-1/2 in. S.S.	7.63	9.17
12	14962-0005	Washer, Celcon	4.32	5.19
13	35505-1228	O-Ring, Parker #2-216, BUNA-N	4.32	5.19
14	14962-0011	Spring, Compression	21.96	26.39
15	35505-1272	O-Ring, Parker #2-255	11.60	13.94
NOT SHOWN				
	14962-0035	Spring and O-ring Kit, includes items 12, 13, 14 & 15	45.94	55.20

MULTIPOINT SIDE MOUNT 2 IN. VALVE PLUG & GASKET KIT

REPLACEMENT PARTS FOR STA-RITE VALVES



Item	Part No.	Description	US List	Can. List
MULTIPOINT 2 IN. VALVE PLUG & GASKET KIT				
5	60000-0706	Label	CALL	CALL
6	35505-1412	O-Ring ¹	46.57	55.96
7	35407-0071	Nut, 1/4 -20 S.S.	5.19	6.24
8	14971-0006	Spring ¹	94.55	113.61
10	14971-0005	Gasket, Valve Seat	90.48	108.72
13	57006800	O-Ring ¹	1.92	2.31
15	14971-0009	Sight Glass	30.14	36.22
17	77704-0100	Cover and Plug Assembly Kit, includes items 5 & 9	CALL	CALL

¹ Kit includes 2 hoses, 4 clamps.

CALIFORNIA PROPOSITION 65 WARNING

⚠ **WARNING:** Cancer and Reproductive Harm.
 ⚠ **AVERTISSEMENT:** Peut Causer le Cancer et des Dommages au Système Reproducteur.
 ⚠ **ADVERTENCIA:** Cáncer y Daño Reproductivo.
www.p65warnings.ca.gov

FULLFLOW® VALVES

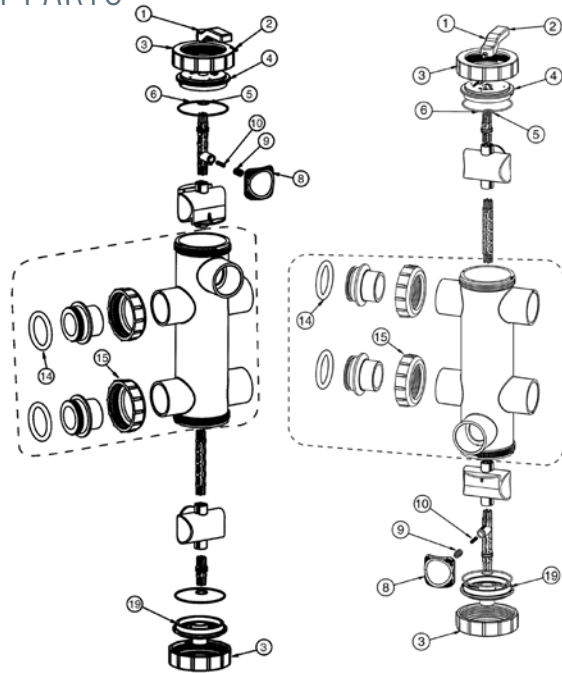
REPLACEMENT PARTS

Item	Part No.	Description	US List	Can. List
FULLFLOW VALVES				
1	278006	Handle	12.38	14.88
2	072536	Screw	10.48	12.59
3	278020	Cap, nut, 2 req.	10.91	13.11
4	278021	Cap, insert - top.	18.92	22.73
5	192039Z	O-ring #2-116 Bunan, 2 req.	0.32	0.38
6	275300	O-ring #2-154 Bunan 70, 2 req.	0.61	0.73
8	278019	Seal, waste.	23.20	27.88
9	271065	Spring, .42 o. d..	4.46	5.36
10	270006	Spring, .24 o. d..	7.11	8.54
14	274494	O-ring, adapter, 2 req.	5.32	6.39
15	274440	Nut, adapter, 2 req. ¹	18.14	21.80
19	278022	Cap insert, bottom	21.30	25.59
20	270011	Shaft Assembly	86.94	104.47

¹ Items may not be purchased separately, order item #20, Shaft Assy.

CALIFORNIA PROPOSITION 65 WARNING

⚠ **WARNING:** Cancer and Reproductive Harm.
 ⚠ **AVERTISSEMENT:** Peut Causer le Cancer et des Dommages au Système Reproducteur.
 ⚠ **ADVERTENCIA:** Cáncer y Daño Reproductivo.
www.p65warnings.ca.gov



FullFlow Sand Valve
263010
7-1/2 in. Centerline
Filters

FullFlow D. E. Valve
263011
7-1.2 in. Centerline
Filters

PUSH PULL™ VALVE

REPLACEMENT PARTS FOR AMERICAN VALVES

Item	Part No.	Description	US List	Can. List
PUSH PULL VALVES				
1	51013811	Valve stem complete, w/ handle	191.13	229.66
2	51013011	Nut	29.62	35.59
3	51013500	O-ring, nut	6.87	8.25
4	51013111	Reducer bushing, 2 in. male x 1-1/2 in.	28.74	34.53
5	6020006	O-ring, cap	0.05	0.06
6	51012911	Cap	28.74	34.53
8	51005000	O-ring, valve stem, 2 in., 2 req.	7.63	9.17
9	273062	O-ring, bulkhead, 8 in. model only	1.77	2.13
10	51013500	O-ring, bulkhead, 8 in. model only	6.87	8.25
11	274494	O-ring, bulkhead, 7-1/2 in. model only	5.32	6.39

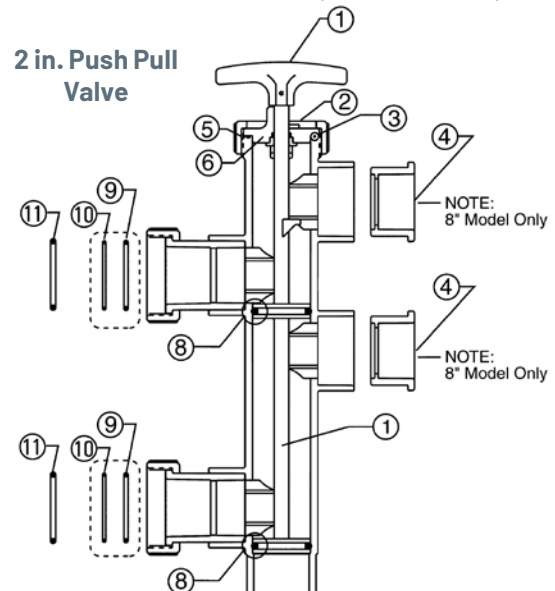
Both items 9 and 10 are included in the kit for multiple applications. Choose only the one set appropriate for your application.

CALIFORNIA PROPOSITION 65 WARNING

⚠ **WARNING:** Cancer and Reproductive Harm.
 ⚠ **AVERTISSEMENT:** Peut Causer le Cancer et des Dommages au Système Reproducteur.
 ⚠ **ADVERTENCIA:** Cáncer y Daño Reproductivo.
www.p65warnings.ca.gov

MODELS

263064 (7-1/2 in. centerline)
50290211 (8 in. centerline)

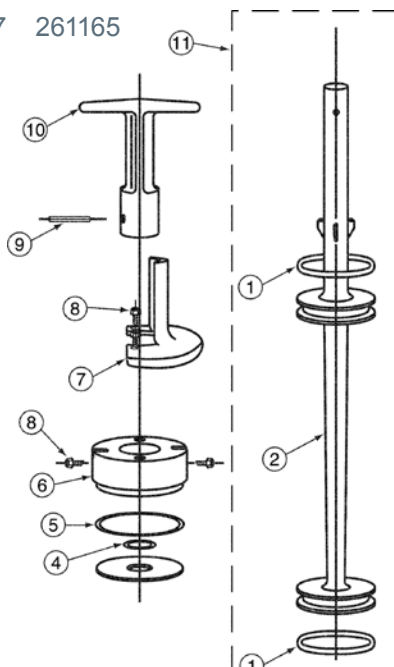


Product on page 278.

2 IN. PVC SLIDE VALVE

REPLACEMENT PARTS FOR SLIDE VALVES

MODELS
261047 261165

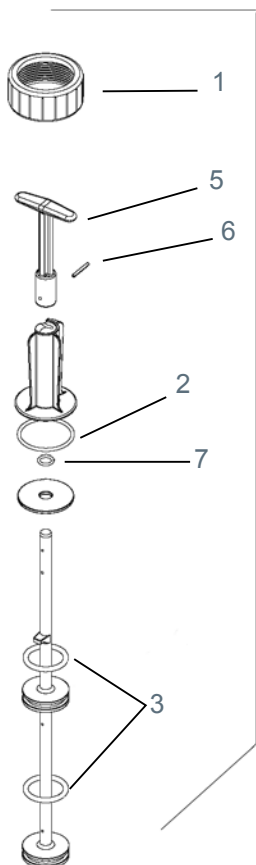


Item	Part No.	Description	US List	Can. List
2 IN. PVC SLIDE VALVE				
1	273090	O-ring - 1-1/2 in. i.d. x 3/16 in. dia., 2 req.	2.88	3.46
2	273106	Piston Shaft	112.40	135.06
4	JV18	O-ring Kit	1.22	1.47
5	273062	O-ring - 2-1/8 in. i. d. x 1/8 in. dia.	1.77	2.13
6	273077	Plug - 5/8 in. i.d. x 2-3/8 in. o.d.	6.55	7.87
7	273064	Position Bracket	35.10	42.18
8	273071	Screw - #14 - 18-8 s/s, 4 req.	1.89	2.27
9	273063	Pin - 1/8 in. dia. x 1-1/8 in. long s/s.	3.20	3.85
10	273089	Handle for plastic shaft - 5/8 in. i.d.	18.66	22.42
11	273241Z	Piston rod assy.	121.83	146.39
NOT SHOWN				
	154566	Sight glass - 2 in. clear	16.47	19.79

CALIFORNIA PROPOSITION 65 WARNING
 ⚠️ **WARNING:** Cancer and Reproductive Harm.
 ⚠️ **AVERTISSEMENT:** Peut Causer le Cancer et des Dommages au Système Reproducteur.
 ⚠️ **ADVERTENCIA:** Cáncer y Daño Reproductivo.
www.p65warnings.ca.gov
PN 202714

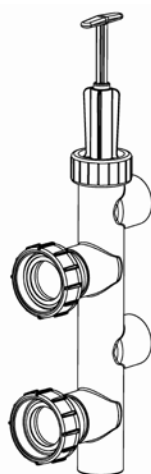
SLIDE VALVES

REPLACEMENT PARTS FOR SLIDE VALVES



MODELS

263064
 263052 263078
 263053 263079



263053

Item	Part No.	Description	US List	Can. List
SLIDE VALVE				
1	270141	Nut, Black SF PMP/VLV PSHPL	21.47	25.80
2	273062	O-ring	1.77	2.13
3	51005000	O-ring	7.63	9.17
4	263055	Kit, Piston Shaft Assembly	116.24	139.67
5	270134	Handle	18.67	22.43
6	273063	Pin	3.20	3.85
7	6020006	O-ring	0.05	0.06
NOT SHOWN				
	263054	Kit, O-rings. Includes all valve O-rings.	22.95	27.58

CALIFORNIA PROPOSITION 65 WARNING
 ⚠️ **WARNING:** Cancer and Reproductive Harm.
 ⚠️ **AVERTISSEMENT:** Peut Causer le Cancer et des Dommages au Système Reproducteur.
 ⚠️ **ADVERTENCIA:** Cáncer y Daño Reproductivo.
www.p65warnings.ca.gov
PN 202714

Product on pages 278 and 281.

PLASTIC SLIDE VALVE

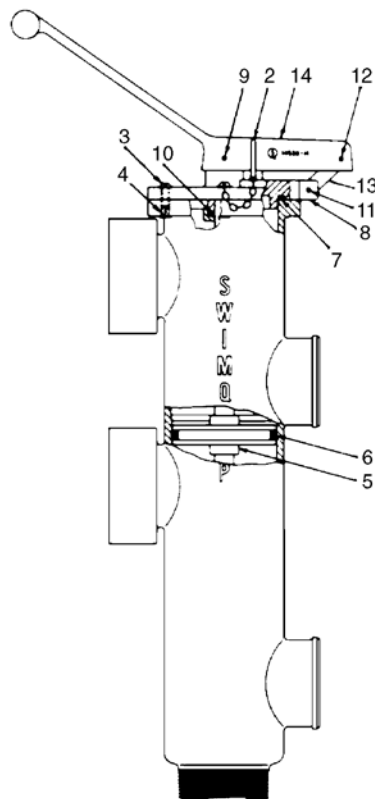
REPLACEMENT PARTS FOR STA-RITE PLASTIC SLIDE VALVE



MODEL

WC212-134P

14936-0000



Item	Part No.	Description	US List	Can. List
PLASTIC SLIDE VALVE				
2	WC30-84	Lock Pin Assembly	17.06	20.50
3	37107-0085	Screw	4.81	5.78
4	34302-0518	Brass Insert	2.81	3.38
5	14930-0033	Piston Assembly	169.44	203.60
6	35505-1318	O-Ring	5.60	6.73
7	35505-1246	O-Ring	4.81	5.78
8	14930-0012	Index Plate	34.72	41.72
9	51009500	Spring Pin	CALL	CALL
10	35505-1116	O-Ring	4.32	5.19
11	51009500	Spring Pin	CALL	CALL
12	35817-0056	Spring Pin	4.81	5.78
13	14930-0016	Lever Linkage	4.43	5.32
14	14930-0014	Handle	106.96	128.52

CALIFORNIA PROPOSITION 65 WARNING

⚠ **WARNING:** Cancer and Reproductive Harm.
 ⚠ **AVERTISSEMENT:** Peut Causer le Cancer
 et des Dommages au Système Reproducteur.
 ⚠ **ADVERTENCIA:** Cáncer y Daño Reproductivo.
www.p65warnings.ca.gov

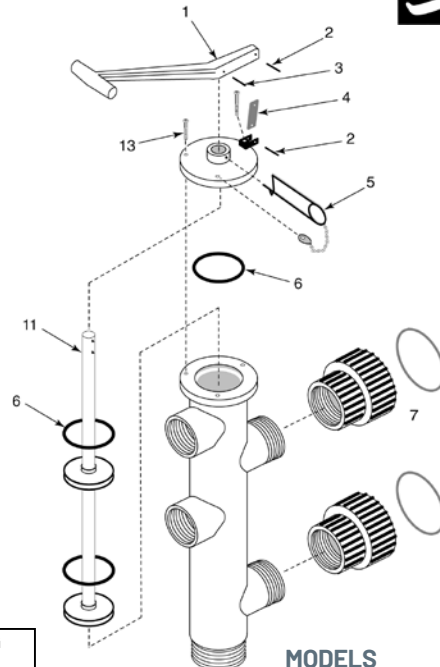
PK120174

BRONZE VALVES

REPLACEMENT PARTS FOR STA-RITE VALVES



Item	Part No.	Description	US List	Can. List
BRONZE VALVE				
1	14821-0005	Lever Handle	70.30	84.47
2	35817-0056	Spring Pin	4.81	5.78
3	51009500	Spring Pin	CALL	CALL
4	14821-0008	Linkage	9.60	11.54
5	WC30-84	Lock Pin Assembly	17.06	20.50
6	35505-1401	O-Ring	5.99	7.20
7	77703-0100	Union Kit	50.99	61.27
8	38405-4089	Union Adapter	CALL	CALL
11	14819-0011	Piston Assembly, 1-1/2 in.	169.44	203.60
11	14823-0011	Piston Assembly, 2 in.	192.35	231.13
13	37062-0130	Screw	4.81	5.78
NOT SHOWN				
	35505-1116	O-Ring	4.32	5.19



MODELS

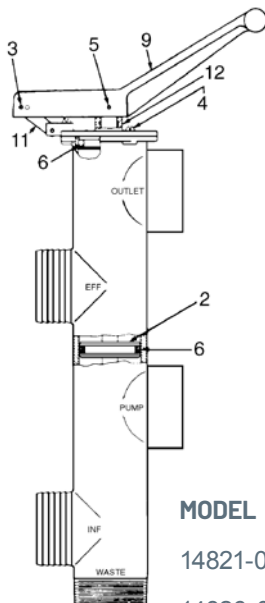
WC212-135D – 1-1/2 in.

WC212-136D – 2 in.

CALIFORNIA PROPOSITION 65 WARNING
 ⚠️ **WARNING:** Cancer and Reproductive Harm.
 ⚠️ **AVERTISSEMENT:** Peut Causer le Cancer et des Dommages au Système Reproducteur.
 ⚠️ **ADVERTENCIA:** Cáncer y Daño Reproductivo.
www.p65warnings.ca.gov

BRONZE SLIDE VALVES

REPLACEMENT PARTS FOR STA-RITE VALVES



MODEL

14821-0000 – 1-1/2 in.

14826-0000 – 2 in.

Item	Part No.	Description	US List	Can. List
BRONZE SLIDE VALVE				
2	14819-0011	Piston Assembly with O-Rings	169.44	203.60
3	35817-0056	Spring Pin	4.81	5.78
4	37062-0130	Screw	4.81	5.78
5	51009500	Spring Pin	CALL	CALL
6	35505-1401	O-Ring (Model 14821-6000)	5.99	7.20
6	35505-1313	O-Ring	5.06	6.08
9	14821-0005	Lever Handle	70.30	84.47
11	14821-0008	Linkage	9.60	11.54
12	35505-1116	O-Ring	4.32	5.19

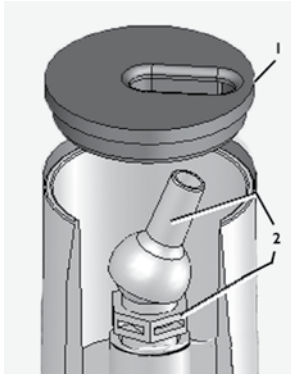
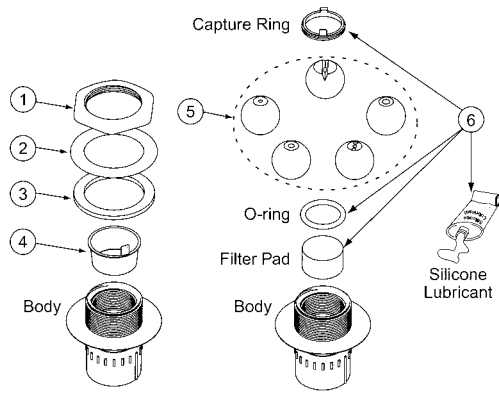
CALIFORNIA PROPOSITION 65 WARNING
 ⚠️ **WARNING:** Cancer and Reproductive Harm.
 ⚠️ **AVERTISSEMENT:** Peut Causer le Cancer et des Dommages au Système Reproducteur.
 ⚠️ **ADVERTENCIA:** Cáncer y Daño Reproductivo.
www.p65warnings.ca.gov

WATER FEATURES PARTS

Product Catalog 2020

DECK JET & MAGICSTREAM® DECK JET II

REPLACEMENT PARTS



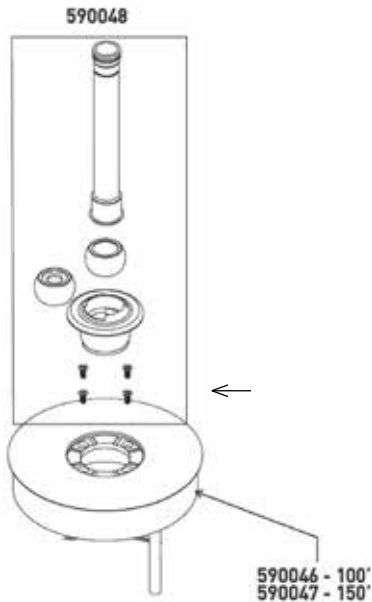
Item	Part No.	Description	US List	Can. List
DECK JET				
1	87200800	Fitting nut, sealing liner 2 in.	7.87	9.46
2	87200700	Friction ring, SIF	7.24	8.70
3	87201200	Gasket TH-AGF 3.5 in. OD x 2-3/8 in. ID	8.59	10.32
4	590005	Plug, Gunite Shield, L20	5.00	6.01
5	590010	Eyeball kit includes installation card	148.91	178.93
6	590011	Accessory kit includes Capture ring, 2 qty.; O-ring, 3 qty.; Filter Pad, 2 qty., Silicone Lubricant, 1 qty.	24.82	29.82

Item	Part No.	Description	US List	Can. List
MAGICSTREAM DECK JET II				
1	590042	MagicStream Deck Jet II cover, brass color, each	65.69	78.93
1	590150	MagicStream Deck Jet II cover, tan color each, each	23.98	28.81
2	590041	MagicStream Deck Jet II Nozzle Kit (Includes nozzle base and nozzle swivel, set of 4)	128.74	154.69

Product on page 298.

COLORCASCADE® LED LIGHT BUBBLER

REPLACEMENT PARTS

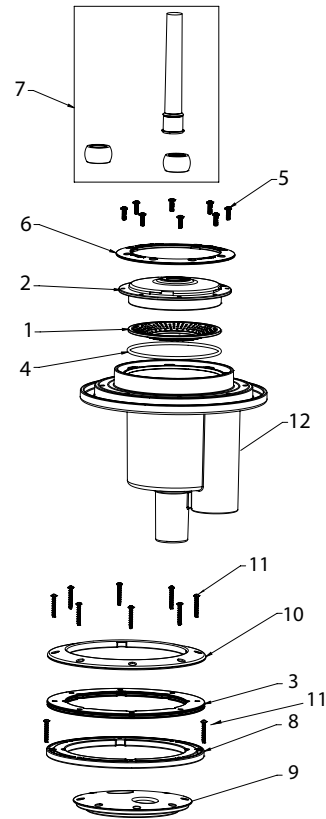


Item	Part No.	Description	US List	Can. List
COLORCASCADE LED LIGHT BUBBLER				
1	590046	LED Bubbler replacement light engine with 100 ft. cord	CALL	CALL
2	590047	LED Bubbler replacement light engine with 150 ft. cord	CALL	CALL
3	590048	Accessory Kit	CALL	CALL

CALIFORNIA PROPOSITION 65 WARNING
 ⚠️ **WARNING:** Cancer and Reproductive Harm.
 ⚠️ **AVERTISSEMENT:** Peut Causer le Cancer et des Dommages au Système Reproducteur.
 ⚠️ **ADVERTENCIA:** Cáncer y Daño Reproductivo.
www.p65warnings.ca.gov PH2017A

COLORVISION® BUBBLER REPLACEMENT PARTS

Item	Part No.	Description	US List	Can. List
COLORVISION LED LIGHT BUBBLER				
1	590103Z	Diffuser	12.51	15.03
2	590104Z	Lens w/ O-Ring	25.02	30.06
3	590107Z	Gasket Kit, 3 Gaskets	34.41	41.35
4	590118Z	O-Ring	9.39	11.28
5	590119Z	Screw Kit Lens	12.51	15.03
6	590105Z	Color Ring - White	15.65	18.81
6	590128Z	Color Ring - Blue	15.65	18.81
6	590127Z	Color Ring - Gray	15.65	18.81
6	590129Z	Color Ring - Tan	15.65	18.81
6	590130Z	Color Ring - Black	15.65	18.81
7	590135	Eyeball Assy Kit	28.15	33.83
8	590109Z	Vinyl Spacer	18.78	22.57
9	590102Z	Gunite Cover w/ O-Ring	21.89	26.30
10	590106Z	Vinyl/Fiberglass Ring - White	21.89	26.30
10	590132Z	Vinyl/Fiberglass Ring - Blue	21.89	26.30
10	590131Z	Vinyl/Fiberglass Ring - Gray	21.89	26.30
10	590133Z	Vinyl/Fiberglass Ring - Tan	21.89	26.30
10	590134Z	Vinyl/Fiberglass Ring - Black	21.89	26.30
11	590121Z	Screw Kit Vinyl/Fiberglass Ring	15.65	18.81
12	590147Z	Niche	125.12	150.34



CALIFORNIA PROPOSITION 65 WARNING
 ⚠️ **WARNING:** Cancer and Reproductive Harm.
 ⚠️ **AVERTISSEMENT:** Peut Causer le Cancer et des Dommages au Système Reproducteur.
 ⚠️ **ADVERTENCIA:** Cáncer y Daño Reproductivo.
www.p65warnings.ca.gov PN201714

MAGICSTREAM LAMINARS

REPLACEMENT PARTS



Item	Part No.	Description	US List	Can List
MAGICSTREAM LAMINARS				
1	590021	Laminar LED light engine w/ Laminar Body (complete) - 100 ft. cord	1240.61	1490.72
1	590123	Laminar LED light engine w/Laminar Body (complete) - 150ft. cord	1310.97	1575.26
4	590024	Laminar housing, no cover	431.98	519.07
5	590025	Laminar cover black ² , with collar	237.55	285.44
6	590026	Laminar cover gray ² , with collar	237.55	285.44
7	590027	Laminar cover tan ² , with collar	237.55	285.44
8	590028	Laminar screen kit	129.51	155.62
9	590029	Laminar union nut kit	81.82	98.31
10	590030	Laminar bracket kit	114.56	137.66
12	590032	Laminar orifice kit	130.94	157.34
NOT SHOWN				
	590031	Laminar hardware kit (all screws and O-rings)	65.47	78.67
	590100	Laminar water line union kit	22.38	26.89

² Includes 1 Matching Trim Ring for Deck Housing.

CALIFORNIA PROPOSITION 65 WARNING
 ⚠️ **WARNING:** Cancer and Reproductive Harm.
 ⚠️ **AVERTISSEMENT:** Peut Causer le Cancer et des Dommages au Système Reproducteur.
 ⚠️ **ADVERTENCIA:** Cáncer y Daño Reproductivo.
www.p65warnings.ca.gov

Product on page 285.

WATERFALL

REPLACEMENT PARTS



Item	Part No.	Description	US List	Can. List
WATERFALL				
1	580004	Rocktrap	CALL	CALL
2	2313	Internal Support Extractor Tool	4.55	5.47

CALIFORNIA PROPOSITION 65 WARNING
 ⚠️ **WARNING:** Cancer and Reproductive Harm.
 ⚠️ **AVERTISSEMENT:** Peut Causer le Cancer et des Dommages au Système Reproducteur.
 ⚠️ **ADVERTENCIA:** Cáncer y Daño Reproductivo.
www.p65warnings.ca.gov

MAGICBOWL® WATER EFFECTS REPLACEMENT PARTS



Item	Part No.	Description	US List	Can. List
MAGICBOWL				
1	590160	MagicBowl, Round Copper	1485.90	1785.46
1	590161	MagicBowl, Round Bronze	1485.90	1785.46
1	590162	MagicBowl, Round Pewter	1485.90	1785.46
1	590163	MagicBowl, Round Brass	1485.90	1785.46
1	590165	MagicBowl, Round Gray	1485.90	1785.46
1	590166	MagicBowl, Round Natural	1485.90	1785.46
1	590167	MagicBowl, Square Copper	1485.90	1785.46
1	590168	MagicBowl, Square Bronze	1485.90	1785.46
1	590169	MagicBowl, Square Pewter	1485.90	1785.46
1	590170	MagicBowl, Square Brass	1485.90	1785.46
1	590172	MagicBowl, Square Gray	1485.90	1785.46
1	590173	MagicBowl, Square Natural	1485.90	1785.46
8	590158	Gasket, Pack Black	31.29	37.60
8	590242	Gasket, Pack Clear	CALL	CALL
9	590159	Nut & Bulkhead, Black	107.33	128.97
9	590245	Nut & Bulkhead, Clear	CALL	CALL
10	580065	100' LED Light Engine	CALL	CALL
10	580066	150' LED Light Engine	CALL	CALL
11	590157	Niche	156.41	187.94
12	590174	Spout, Copper	109.47	131.54
12	590175	Spout, Bronze	109.47	131.54
12	590176	Spout, Pewter	109.47	131.54
12	590177	Spout, Brass	109.47	131.54
12	590178	Spout, White	CALL	CALL
12	590179	Spout, Gray	109.47	131.54
12	590180	Spout, Natural	109.47	131.54
12	590230	Spout, Black	107.34	128.98
12	590233	Spout, Clear	CALL	CALL
NOT SHOWN				
	590188	Square Resin Bowl Scupper	CALL	CALL
	590189	Round Resin Bowl Scupper	CALL	CALL
	580057	Cover, Round	CALL	CALL
	580058	Cover, Square	CALL	CALL
	590238	Spacer, 1/2" clear	CALL	CALL

CALIFORNIA PROPOSITION 65 WARNING
 ⚠️ **WARNING:** Cancer and Reproductive Harm.
 ⚠️ **AVERTISSEMENT:** Peut Causer le Cancer et des Dommages au Système Reproducteur.
 ⚠️ **ADVERTENCIA:** Cáncer y Daño Reproductivo.
www.p65warnings.ca.gov P65 201514

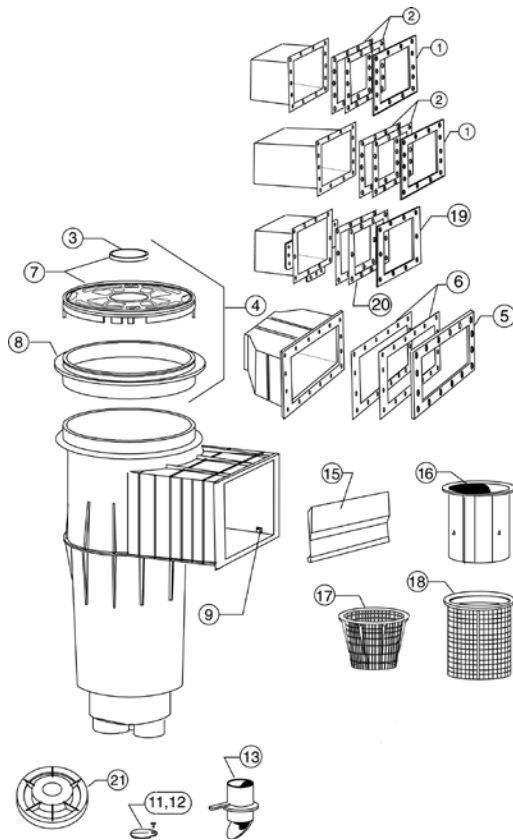


WHITE GOODS PARTS

Product Catalog 2020

ADMIRAL™ SKIMMERS

REPLACEMENT PARTS



Item	Part No.	Description	US List	Can. List
ADMIRAL SKIMMERS				
1	85004200	Frame, sealing liner, white std. 12 hole pattern	22.87	27.48
1	85004211	Frame, sealing liner, black std. 12 hole pattern	22.87	27.48
1	85004213	Frame, sealing liner, gray std. 12 hole pattern	22.87	27.48
2	85001600	Gasket set, liner, std. 12 hole pattern	32.63	39.21
3	510161	Disk, logo	5.55	6.67
4	85000400	Lid/ring seat, complete, white	51.06	61.35
4	85000411	Lid/ring seat, complete, black	42.88	51.52
4	85018000	Lid/ring seat, complete, tan	66.34	79.71
5	85007600	Frame, sealing liner, wide mouth, white	CALL	CALL
6	85007700	Gasket, sealing liner, wide mouth (2), white	42.70	51.31
7	85007400Z	Lock down lid, white	CALL	CALL
7	85007411	Lock down lid, black	28.78	34.58
7	85007413	Lock down lid, gray	28.52	34.27
7	85007430	Lock down lid, tan	35.08	42.15
8	85000600	Ring seat only, 9 in. diameter, white	16.90	20.31
8	85017900	Ring seat only, 9 in. tan	21.55	25.89
9	85017500	Pivot tab for flap weir	1.33	1.60

Item	Part No.	Description	US List	Can. List
11	85002400	Trimmer valve plate, residential	5.96	7.16
12	98204400	Screw for trimmer plate, 10-24 x 1/2 in.	2.63	3.16
13	85002600	Vari-flo control insert only	12.90	15.50
15	85001500	Flap weir	32.63	39.21
16	R38013B	Floating weir, circular	17.80	21.39
17	85014500	Basket, tapered	27.35	32.86
17	85014600	Basket, tapered (S-20 Model Only)	14.76	17.74
18	R38013AZ	Basket, for floating weir	CALL	CALL
19	85000300	Frame, liner, American 10 hole pattern	54.61	65.62
20	81111800	Gasket set, large 10 hole pattern, w/ dbl. wall	17.35	20.85
20	81111700	Gasket set, large 10 hole pattern, w/o dbl. wall	17.35	20.85
21	85015200	Equalizer assembly	50.81	61.05
NOT SHOWN				
	98202600	Screw, sealing ¹	4.37	5.25
	98202700	Screw, sealing ¹	4.42	5.31
	98202900	Screw, sealing ²	2.08	2.50
	98207200	Screw, sealing ²	CALL	CALL
	98203000	Screw ²	2.45	2.94
	85008500	Screw kit, American 10 hole pattern	CALL	CALL
	85008600	Screw kit, American 10 hole pattern, extra long	23.05	27.70
	85008700	Screw kit, std. 12 hole pattern	23.05	27.70
	85008800	Screw kit, std. 12 hole pattern, extra long	23.05	27.70
	85015100	O-ring, skimmer bottom	9.16	11.01
	355330	O-ring, equalizer	1.95	2.34
	85016600	Rubber stopper, flap weir	5.94	7.14
	98213000	Screw, 8-32 x 5/8 in. commercial lid	2.09	2.51
	98208500	Washer, gum commercial lid	2.18	2.62
	85014700	Handle, basket	5.91	7.10
	85007200	Angle bracket	CALL	CALL
	85012800	Track-VF skimmer	CALL	CALL
	85014200	Trimmer, equalizer	CALL	CALL
	85009500	Skimmer Lid (Old Style)	30.40	36.53

¹ Used on skimmers manufactured before 2-1-76.

² Used on skimmers manufactured after 2-1-76.

CALIFORNIA PROPOSITION 65 WARNING

⚠ **WARNING:** Cancer and Reproductive Harm.
 ⚠ **AVERTISSEMENT:** Peut Causer le Cancer et des Dommages au Système Reproducteur.
 ⚠ **ADVERTENCIA:** Cáncer y Daño Reproductivo.

www.p65warnings.ca.gov. PH02071A

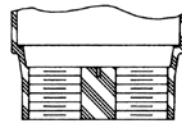
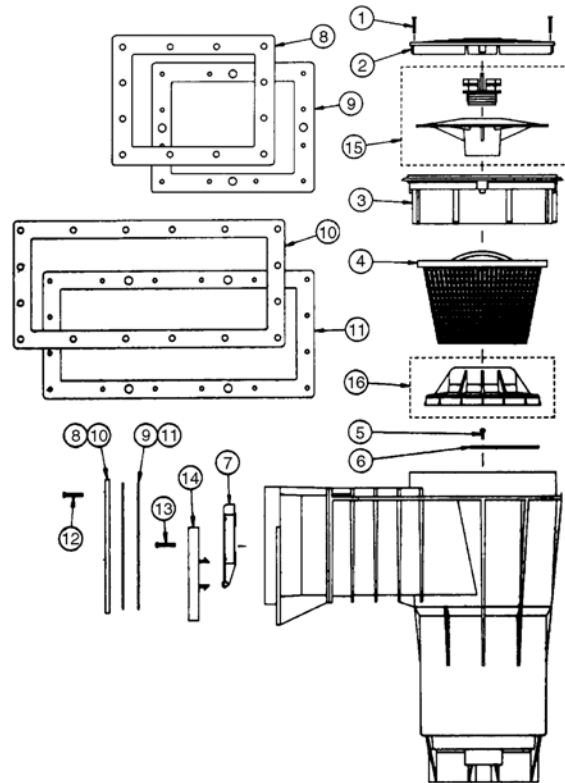
Product on pages 300–301.

Replacement baskets on page 148.

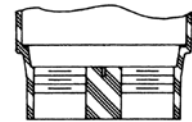
BERMUDA™ SKIMMERS

REPLACEMENT PARTS FOR GUNITE & VINYL LINER SKIMMERS

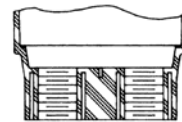
Item	Part No.	Description	US List	Can. List
BERMUDA SKIMMERS				
1	516242	Screw, No.8-32 x 1 in. SS, 2 req.	1.49	1.79
2	516215	Deck lid, white	28.78	34.58
2	516216	Deck lid, tan	28.78	34.58
2	516306	Deck lid, black	28.78	34.58
3	516259	Deck collar, vinyl, white	31.79	38.20
3	516260	Deck collar, vinyl, tan	34.01	40.87
3	516307	Deck collar, vinyl, black	38.40	46.14
3	516253	Deck collar, gunite, white	25.41	30.53
3	516258	Deck collar, gunite, tan	29.68	35.66
3	516329	Deck collar, gunite, black	32.48	39.03
4	516112Z	Basket	CALL	CALL
5	516243	Screw, No.8 x 1/2 in. SS	0.35	0.42
6	516228	Trimmer plate	5.96	7.16
7	516252Z	Weir gate assembly, white	CALL	CALL
7	516315	Weir gate assembly, black	26.31	31.61
8	516264	Face plate kit, standard throat, white	94.69	113.78
8	516324	Face plate kit, standard throat, black	69.98	84.09
9	552566	Gasket, standard throat, 2 req.	7.89	9.48
10	516265	Face plate kit, widemouth throat, white	94.35	113.37
10	516318	Face plate widemouth, black	100.64	120.93
11	516231	Gasket, widemouth throat, 2 req.	12.28	14.76
12	516345	Screw, No.12-8 x 1-1/4 in. SS, std. face plate	CALL	CALL
13	516241	Screw, No.12-8 x 1-1/4 in. SS, 4 req.	5.96	7.16
14	516237	Flange spacer, 3 req.	5.96	7.16
OPTIONS				
15	506161	Vacuum plate assembly	25.83	31.04
16	506160	Float valve assembly	67.83	81.50
16	195829	2 in. O-ring style plug	9.16	11.01
16	192323	2 in. O-ring for 195829 plug	6.94	8.34
16	191474	1-1/2 in. O-ring for 191368 plug	0.97	1.17
16	506162	Equalizer valve assembly	52.17	62.69
NOT SHOWN				
	516254	Lid/collar set, white	88.31	106.11
	516328	Lid/collar set, black	88.31	106.11
	516261	Lid/collar set, tan	88.31	106.11



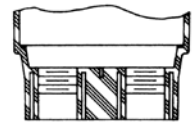
2 in. NPSM Thread



2 in. NPSM Thread
2 in. Slip



1-1/2 in. NPSM Thread



1-1/2 in. NPSM Thread
1-1/2 in. Slip

CALIFORNIA PROPOSITION 65 WARNING

⚠️ **WARNING:** Cancer and Reproductive Harm.
 ⚠️ **AVERTISSEMENT:** Peut Causer le Cancer et des Dommages au Système Reproducteur.
 ⚠️ **ADVERTENCIA:** Cáncer y Daño Reproductivo.

www.p65warnings.ca.gov. PR00114

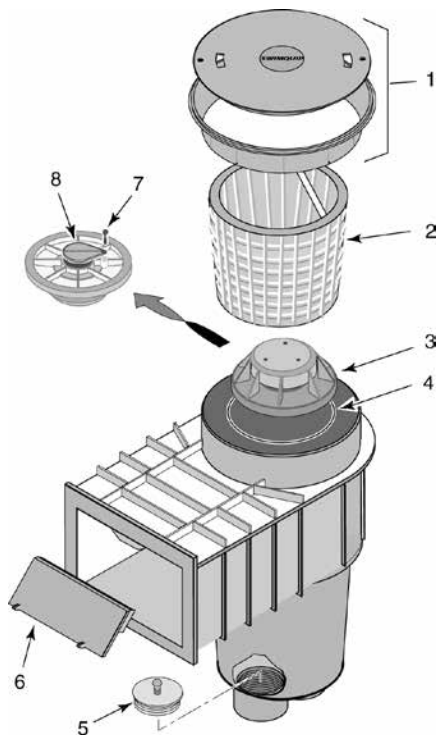
¹ For skimmers manufactured after 2/1/93.

Product on pages 302–303.

Replacement baskets on page 148.



U-3 SKIMMER REPLACEMENT PARTS



¹ For use on Residential U-3 Skimmer Models. Must purchase if skimmer does not come with a float.

² For Use on Vinyl Liner Skimmers.

³ For skimmers purchased after July 2012.



CALIFORNIA PROPOSITION 65 WARNING
⚠ WARNING: Cancer and Reproductive Harm.
⚠ AVERTISSEMENT: Peut Causer le Cancer et des Dommages au Système Reproducteur.
⚠ ADVERTENCIA: Cáncer y Daño Reproductivo.
www.p65warnings.ca.gov

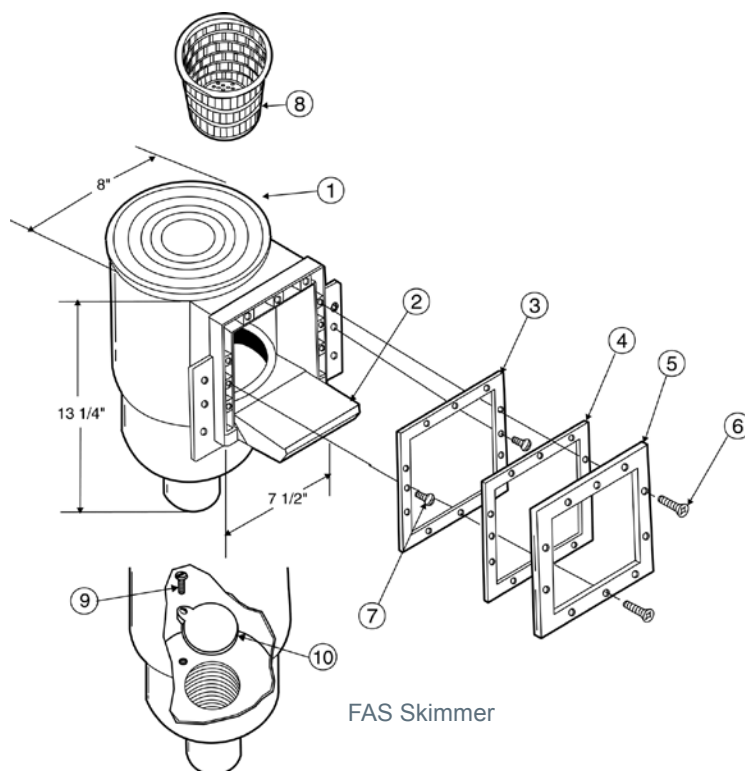
Item	Part No.	Description	US List	Can List
U-3 SKIMMER PARTS				
1	08650-0169	Lid and Collar - White (Model 09655-2403, 09655-2404)	30.40	36.53
1	08650-0159	Lid and Collar - Tan (Model 09655-1403, 09655-1404)	36.52	43.88
1	08650-0169C	Lid and Collar (Gray)	27.76	33.36
2	08650-0007Z	Basket and Handle	CALL	CALL
3	08650-0079	Float Assembly with O-Ring ¹	35.99	43.25
4	35505-1273	Float O-Ring Only ¹	19.03	22.87
5	08655-0017	Check Valve ¹	CALL	CALL
6	08650-0022	Hinged Weir Assembly	28.07	33.73
6	516442 ³	Hinged Weir Assembly - Brite white	CALL	CALL
7	37207-0027	Screw, #8 x 1/2 in. ¹	4.43	5.32
8	08650-0048	Trimmer Plate ¹	6.80	8.17
NOT SHOWN				
	37207-0825	Screw, #8 x 3/8 in. Pan Head	4.43	5.32
	08650-0018	Weir Bumper	5.99	7.20
	08650-0067	Basket Handle Only	10.63	12.77
	U78-820P	Reducer, 2 x 1-1/2 in. NPT (Model 09655-1403, 09655-2403)	14.10	16.94
	U78-858P	Reducer, 2 x 1-1/2 in. Slip (Model 09655-1404, 09655-2404)	CALL	CALL
	U9-366	Gasket 2	8.02	9.64
	37416-0004	Screw, #12-14 x 1 in. Flat Head (Model 09655-1404, 09655-2403, 09655-2404)	1.09	1.31
	37416-0005	Screw, #12-14 x 1-1/2 in. Flat Head (Model 09655-1403)	CALL	CALL
	U36-105SS	Nut, Hex #10-24 ²	CALL	CALL
	WC2-8P	Face Plate ²	31.98	38.43
	09655-0010	Skimmer Spacer Block ²	CALL	CALL
	08650-0042	Vacuum Plate ¹	26.03	31.28
	WC37-503P	Skimmer Extension Collar ²	35.65	42.84

Item	Part No.	Description	US List	Can. List
U-3 SKIMMER LIDS AND COLLARS				
1	08650-0058	Lid Only (White)	25.21	30.29
1	08650-0158	Lid Only (Tan)	25.21	30.29
1	08650-0058C	Lid Only (Gray)	25.97	31.21
2	08650-0025	Collar Only (White)	24.57	29.52
2	08650-0125	Collar Only (Tan)	24.57	29.52
2	08650-0025C	Collar Only (Gray)	CALL	CALL
3	08650-0069	Hardware	4.39	5.28

Product on pages 304–305.

SKIMMERS FOR ABOVEGROUND POOLS

REPLACEMENT PARTS



FAS Skimmer

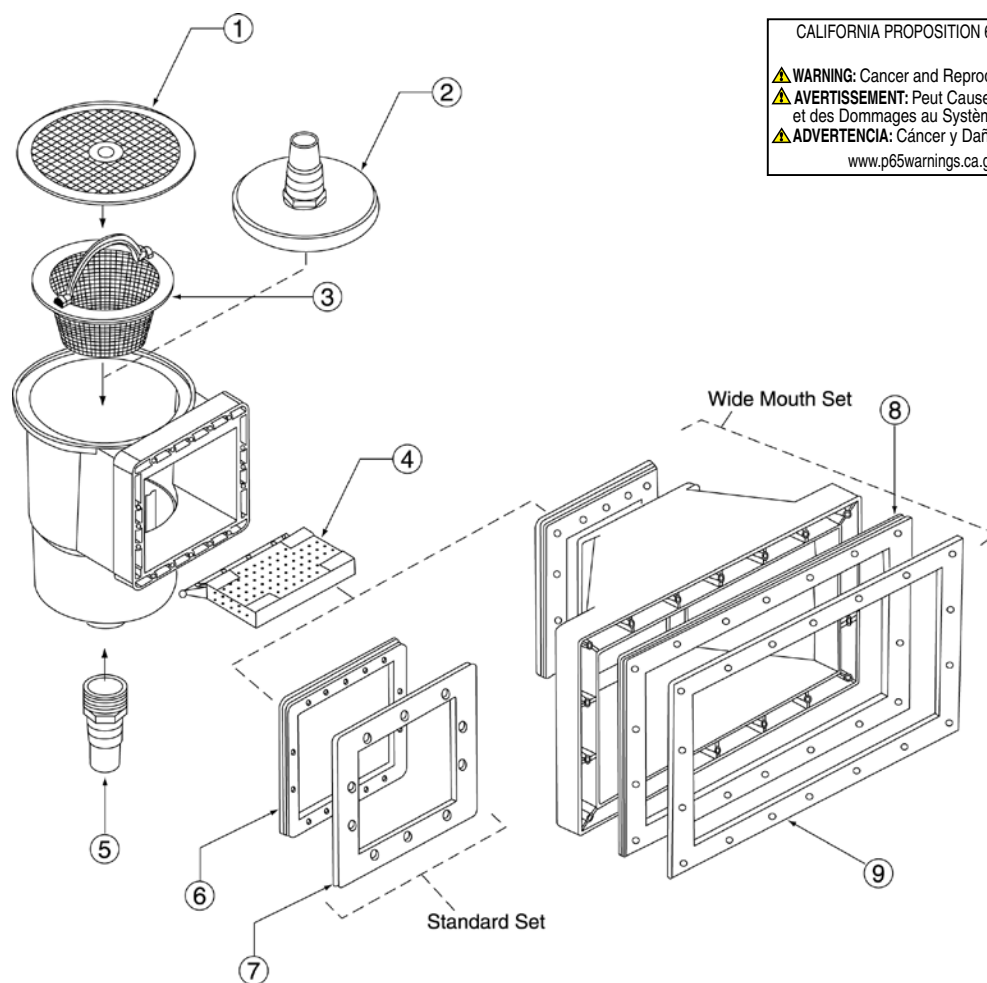
Item	Part No.	Description	US List	Can. List
FAS 100® SKIMMERS				
1	85004700	Lid for optional top access	16.80	20.19
2	85003200	Flap weir	40.23	48.34
3	85003300	Gasket, sealing rear (thick)	7.86	9.44
4	85003400	Gasket, sealing front	7.86	9.44
5	85004000	Sealing frame	14.79	17.77
6	98207200	Screw, sealing 13-16 x 1-1/4 in. high-low, XL	CALL	CALL
6	98202900	Screw, SS sealing phil. 13-16 x 1 in., high-low fh.	2.08	2.50
7	98203000	Screw, SS retainer slot. 13-16 x 3/4 in. high-low pph.	2.45	2.94
8	85003900	Basket	15.72	18.89
9	98204400	Screw, SS 10-24 x 1/2 in. pph. for trimmer plate	2.63	3.16
10	85009600	Plate, trimmer	5.36	6.44
NOT SHOWN				
	85002800	Plate, vacuum adapter	7.94	9.54
	510166	Hose adapter, 1-1/2 in. MIPT x 1-1/4 in.	2.08	2.50
	85009700	Screw kit, std.	23.05	27.70
	85009800	Screw kit, extra long screws	23.05	27.70
	85017600	Pivot tab, for flap weir	1.33	1.60

CALIFORNIA PROPOSITION 65 WARNING

⚠ **WARNING:** Cancer and Reproductive Harm.
 ⚠ **AVERTISSEMENT:** Peut Causer le Cancer et des Dommages au Système Reproducteur.
 ⚠ **ADVERTENCIA:** Cáncer y Daño Reproductivo.
www.p65warnings.ca.gov

HYDROSKIM SKIMMERS

REPLACEMENT PARTS



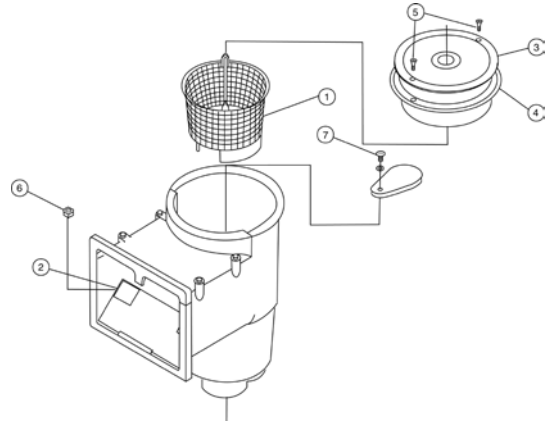
CALIFORNIA PROPOSITION 65 WARNING
 ⚠️ **WARNING:** Cancer and Reproductive Harm.
 ⚠️ **AVERTISSEMENT:** Peut Causer le Cancer et des Dommages au Système Reproducteur.
 ⚠️ **ADVERTENCIA:** Cáncer y Daño Reproductivo.
 www.p65warnings.ca.gov. PHS2017A

Item	Part No.	Description	US List	Can. List
HYDROSKIM SKIMMERS				
1	513333	Lid, white	5.36	6.44
1	513335	Lid, gray	5.36	6.44
2	513351	Vacuum plate	5.93	7.13
3	513330	Basket	5.36	6.44
4	513352	Weir door	5.36	6.44
5	510166	Hose adapter	2.08	2.50
6	513331	Gasket	4.02	4.83
7	513339	Sealing frame, white	6.30	7.57
7	513340	Sealing frame, black	CALL	CALL
7	513341	Sealing frame, gray	6.30	7.57
8	513332	Gasket, wide mouth	6.67	8.01
9	513345	Sealing frame, wide mouth, white	10.50	12.62
9	513346	Sealing frame, wide mouth, black	CALL	CALL
9	513347	Sealing frame, wide mouth, gray	10.50	12.62

SKIMCLEAN™ SKIMMERS

REPLACEMENT PARTS

Item	Part No.	Description	US List	Can. List
SKIMCLEAN SKIMMERS				
1	513036	Basket	39.36	47.29
2	513027	Weir	27.33	32.84
3	513030	Deck lid	31.00	37.25
4	513031	Deck ring	23.47	28.20
5	512149	Screw, No. 6-32 x 7/16 in. SS, 2 req.	CALL	CALL
6	192106	Nut, 1/4 in., 20 SS, 2 req.	CALL	CALL
7	98204400	Screw, No. 10-24 x 12 in.	2.63	3.16

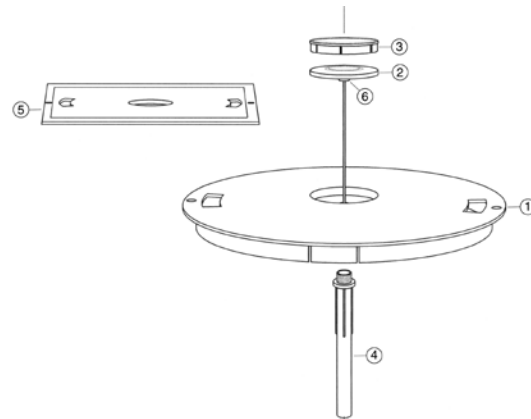


Replacement baskets on page 148.

SKIMMER LID WITH THERMOMETER

REPLACEMENT PARTS

Item	Part No.	Description	US List	Can. List
SKIMMER LID				
1	L1RW	SwimQuip, Swimrite, Jacuzzi®, New Style Hayward®, 9-7/8 in., white	35.43	42.57
1	L1RG	Gray	29.52	35.47
1	L1RB	Almond	29.52	35.47
1	L2R	Baker Hydro®, 9-7/8 in., white	29.52	35.47
1	L4RW	American Products, 9-3/16 in. round, white	17.34	20.84
1	L4RG	Gray	39.30	47.22
1	L4RB	Almond	39.30	47.22
1	L5R	PacFab™, Old Style, 8-3/8 in., white	23.11	27.77
1	L6RW	PacFab, Bermuda, 9-1/4 in., white	39.30	47.22
1	L6RG	Gray	23.75	28.54
1	L6RB	Almond	35.37	42.50
2	SK	Thermometer w/ bushing	66.15	79.49
2,4	SKR	Thermometer w/ tube & bushing	79.58	95.62
3	SKC	Cap for skimmer lid, (white, almond, gray)	10.00	12.02
4	SKTU	Protector tube	12.99	15.61
5	L3R	Hayward®, square, 10 in. x 10 in., white	30.67	36.85
6	SKB	Bushing for thermometer	3.25	3.91



Jacuzzi® is a registered trademark of Jacuzzi, Inc.

Hayward® is a registered trademark of Hayward Industries, Inc.

Baker Hydro® is a registered trademark of Waterco USA DBA Baker Hydro Corp.

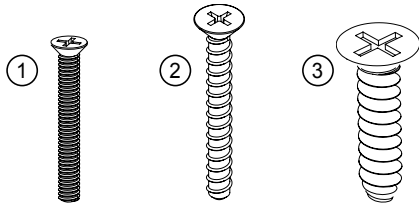
CALIFORNIA PROPOSITION 65 WARNING

⚠ **WARNING:** Cancer and Reproductive Harm.
 ⚠ **AVERTISSEMENT:** Peut Causer le Cancer et des Dommages au Système Reproducteur.
 ⚠ **ADVERTENCIA:** Cáncer y Daño Reproductivo.
www.p65warnings.ca.gov

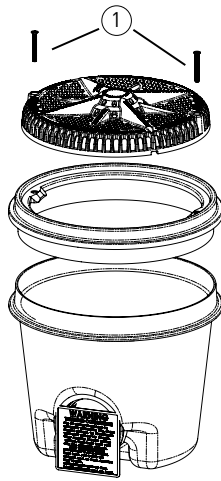
STARGUARD® MAIN DRAINS

REPLACEMENT PARTS

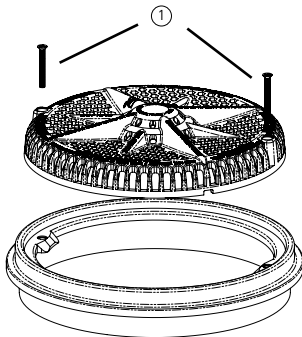
Item	Part No.	Description	US List	Can. List
STARGUARD MAIN DRAINS				
1	510543Z	Kit includes 2 screws	4.37	5.25
2	510583Z	Kit includes 2 screws	3.55	4.27
3	510592Z	Kit includes 8 screws	15.39	18.49
4	07017-0079	Gasket	19.79	23.78
5	500135	Vinyl ring and gasket kit	CALL	CALL



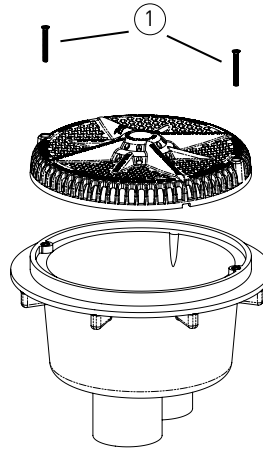
500110-500120



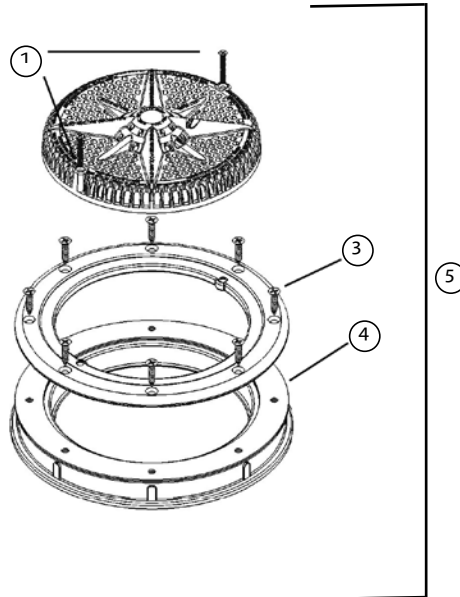
500100-500109
500140-500149



500120-500125

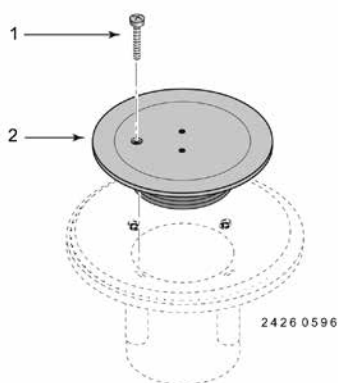


500135



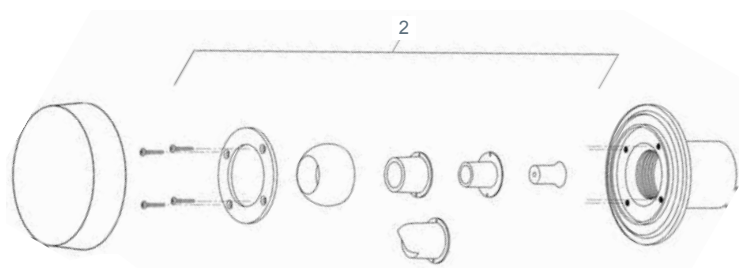
CALIFORNIA PROPOSITION 65 WARNING
 ⚠️ **WARNING:** Cancer and Reproductive Harm.
 ⚠️ **AVERTISSEMENT:** Peut Causer le Cancer et des Dommages au Système Reproducteur.
 ⚠️ **ADVERTENCIA:** Cáncer y Daño Reproductivo.
www.p65warnings.ca.gov PH 201514

ADJUSTABLE FLOOR INLET FITTING



Item	Part No.	Description	Qty	US List	Can. List
EQUALIZER SUCTION FITTING KIT					
1	37207-0430	Screw, No. 8 x 1 in., SS	1	4.02	4.83
2	08417-0005	Cover plate, white ¹	1	30.33	36.44
2	08417-0005B	Cover plate, gray ¹	1	30.33	36.44
2	08417-0005C	Cover plate, black ¹	1	30.33	36.44

¹ To be used only as floor inlet fitting(s).



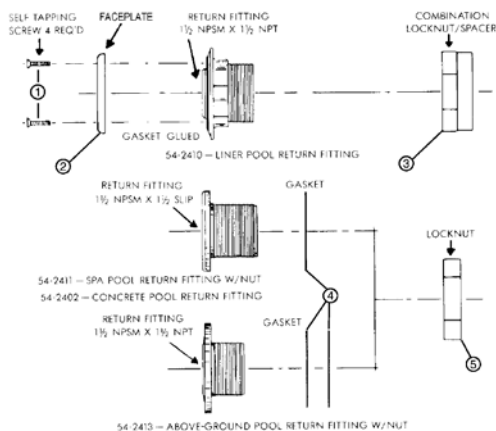
POOL INLETS

CALIFORNIA PROPOSITION 65 WARNING
 ⚠️ **WARNING:** Cancer and Reproductive Harm.
 ⚠️ **AVERTISSEMENT:** Peut Causer le Cancer et des Dommages au Système Reproducteur.
 ⚠️ **ADVERTENCIA:** Cáncer y Daño Reproductivo.
www.p65warnings.ca.gov P65007A

Item	Part No.	Description	Qty.	US List	Can. List
EYEBALL INLETS					
1	08429-0014	Body, 08429-0000, 1-1/2 in. inlet, white	1	CALL	CALL
1	08428-0014B	Body, 08428-0100, 1-1/4 in. inlet, gray	1	CALL	CALL
2	08428-0001	Inlet Eyeball Kit, white, includes: Screw, No. 8, 32 x 1/2 in.; Face plate; Ball; nozzle - 3/4 in.; Right angle nozzle; Nozzle - 1/2 in.; Nozzle - 3/16 in.	1	CALL	CALL
2	08428-0001B	Inlet Eyeball Kit, gray, includes: Screw, No. 8, 32 x 1/2 in.; Face plate; Ball; nozzle - 3/4 in.; Right angle nozzle; Nozzle - 1/2 in.; Nozzle - 3/16 in.	1	38.99	46.85
NOT SHOWN					
	08428-0125	Eyeball inlet kit	1	22.91	27.53

Product on page 313.

WALL FITTINGS

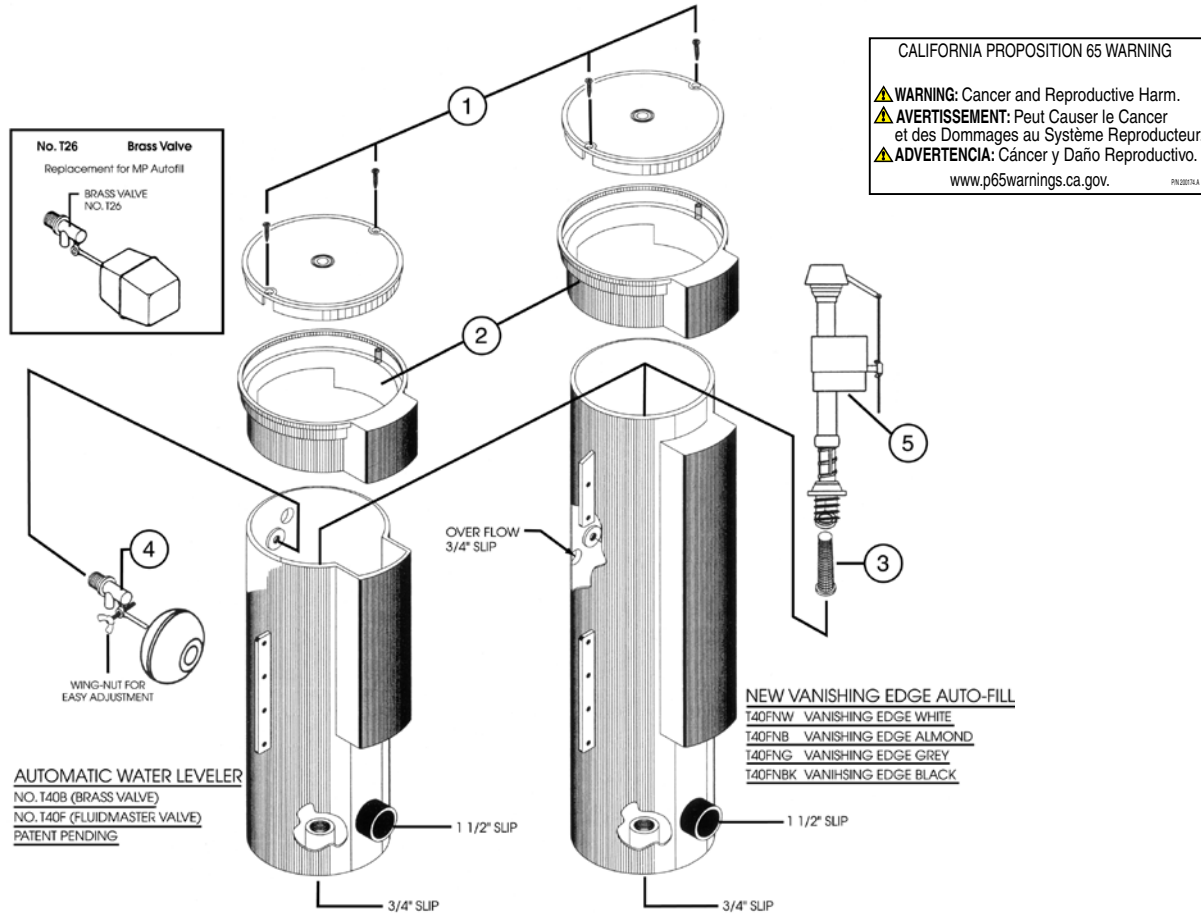


Item	Part No.	Description	US List	Can. List
WALL FITTINGS				
1	552472	Screw, No.12 x 1 in. flat phillips, 4 req.	CALL	CALL
2	545100	Face plate, white for 542410 / 86205100	1.48	1.78
2	545101	Face plate, black for 542420 / 86205101	1.48	1.78
2	545103	Face plate, gray for 86205103	1.48	1.78
4	552496	Cork gasket	1.15	1.38
4	552406	Gasket, 2 req.	1.49	1.79
5	154412	Locknut	10.82	13.00

Product on page 313.

AUTOMATIC WATER FILLERS

REPLACEMENT PARTS

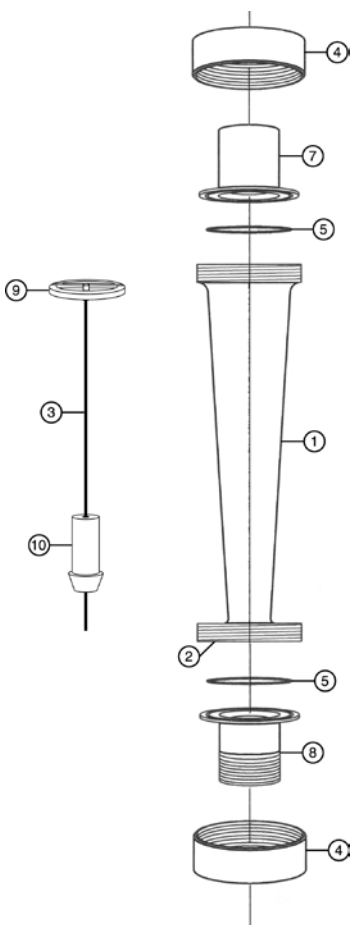


CALIFORNIA PROPOSITION 65 WARNING
 ⚠️ **WARNING:** Cancer and Reproductive Harm.
 ⚠️ **AVERTISSEMENT:** Peut Causer le Cancer et des Dommages au Système Reproducteur.
 ⚠️ **ADVERTENCIA:** Cáncer y Daño Reproductivo.
 www.p65warnings.ca.gov. P132873A

Item	Part No.	Description	US List	Can. List
AUTOMATIC WATER FILLERS				
1	T10W	AutoFill lid, with screws, white	19.60	23.55
1	T10B	AutoFill lid, with screws, almond	19.60	23.55
1	T10G	AutoFill lid, with screws, gray	19.60	23.55
1	T10BK	AutoFill lid, with screws, black	19.60	23.55
	T10DG	Autofill lid with screws, dark gray	19.59	23.54
2	T16W	AutoFill top ring, white	21.49	25.82
2	T16B	AutoFill top ring, almond	21.49	25.82
2	T16G	AutoFill top ring, gray	21.49	25.82
2	T16BK	AutoFill top ring, black	21.49	25.82
	T16DG	Autofill top ring, dark gray	21.49	25.82
3	T24	Debris screen w/ washer	9.20	11.05
4	T26	Brass valve	58.88	70.75
4	261058	Plastic valve	40.42	48.57
5	T29	Fluidmaster® valve	35.70	42.90
NOT SHOWN				
	370006	T-40 FW Parts Bag	75.93	91.24
	T6EXT	6 in. extension for Fluidmaster valve	CALL	CALL

FLOWMETERS MADE FOR LIQUID APPLICATIONS

REPLACEMENT PARTS



Item	Part No.	Description	US List	Can. List
FLOWMETERS				
1	FS1	Flowmeter body (1–10 GPM)	124.80	149.96
1	FS2	Flowmeter body (2–16 GPM)	124.80	149.96
1	FS3	Flowmeter body (1/2–5 GPM)	124.80	149.96
1	FL2	Flowmeter body (2–40 GPM)	31.66	38.04
2	FSBG	Bottom guide support, small	15.83	19.02
3	FSGW	Guide wire, small	30.96	37.20
3	FLGW	Guide wire, large	11.87	14.26
4	FSKN	Knurled nut, small	50.83	61.08
4	FLKN	Knurled nut, large	130.64	156.98
5	FSO	O-ring, small	3.25	3.91
5	FLO	O-ring, large	2.99	3.59
7	FSSE	3/4 in. Sweat end, small	46.87	56.32
7	FLSE	1 in. Sweat end, large	100.18	120.38
8	FSNE	Nylon end, small	13.76	16.53
8	FSTE	Threaded end 1 in., small	51.15	61.46
8	FLTE1	Threaded end 1 in., large	82.85	99.55
8	FLTE2	Threaded end 1-1/2 in., large	118.73	142.67
9	FSTG	Top guide support, small	15.83	19.02
9	FLTG	Top guide support, large	23.75	28.54
NOT SHOWN				
	F2	Float (1-10 GPM)	39.17	47.07
	F3	Float (2-16 GPM)	39.17	47.07
	F4	Float (.5-5 GPM)	42.27	50.79
	F5	Float (2-40 GPM)	31.66	38.04
	F6	Float (8-75 GPM)	77.04	92.57
	F7	Float (15-100 GPM)	134.18	161.23

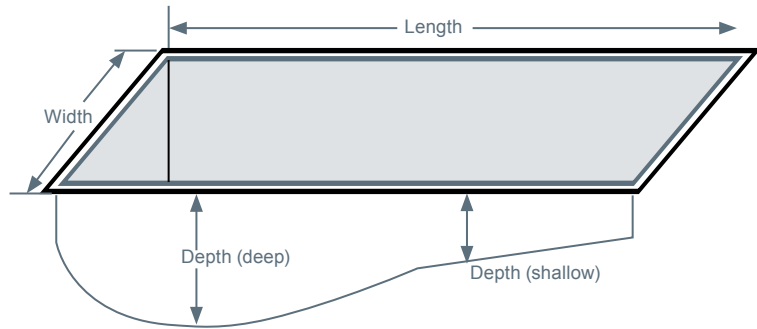
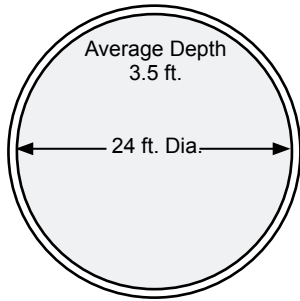
CALIFORNIA PROPOSITION 65 WARNING
 ⚠️ **WARNING:** Cancer and Reproductive Harm.
 ⚠️ **AVERTISSEMENT:** Peut Causer le Cancer et des Dommages au Système Reproducteur.
 ⚠️ **ADVERTENCIA:** Cáncer y Daño Reproductivo.
www.p65warnings.ca.gov PH.202114

ENGINEERING DATA

Product Catalog 2020

ENGINEERING DATA

ESTIMATING TOTAL GALLONS IN A POOL OR SPA



$\text{Radius}^2 \times 3.14 \times \text{A.D.} \times 7.5 = \text{Gallons}$

$12 \times 12 \times 3.14 \times 3.5 \times 7.5 = 11,869$
Gals.

$\text{Dia.} \times \text{Dia.} \times \text{Av Dp} \times 5.9 = \text{Gallons}$

$24 \times 24 \times 3.5 \times 5.9 = 11,894$ Gals.

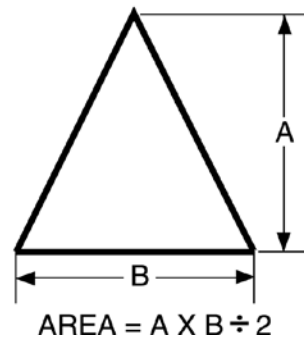
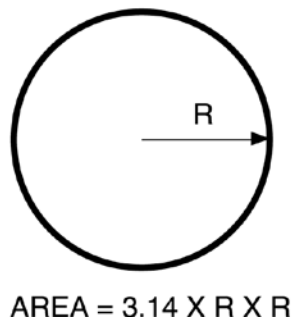
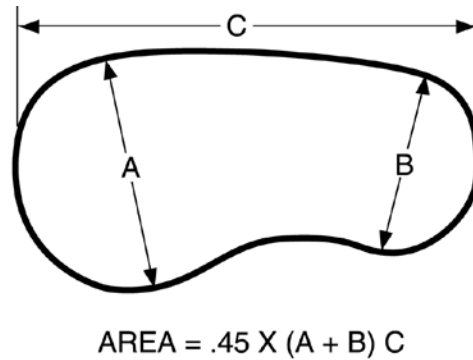
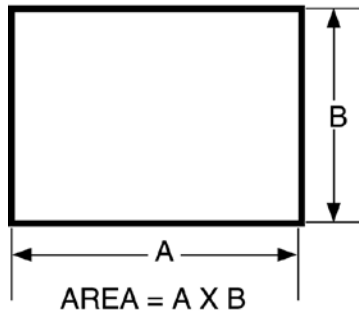
Gal.cu.ft.	
Rectangle:	7.5
Oval:	6.7
Kidney:	7.0

Formula A: $\text{Length} \times \text{Width} \times \text{Average Depth} \times \text{Gal.cu.ft.} = \text{Gallons}$

Example: Pool Length = 40 ft.
Pool Width = 20 ft.
Shallow Depth = 3 ft.
Deep Depth = +8 ft.

Total Depth = 11 ft.

Using formula A: $40 \times 20 = 800$ sq. ft., $800 \times 5.5 = 4,400$ cubic ft., $4,400 \times 7.5 = 33,000$ gallons



ENGINEERING DATA

UNITS OF MEASURE

UNITS OF LENGTH

UNIT	INCH	FOOT	YARD	METER
INCH	1.0	.0833	.0278	.0254
FOOT	12.0	1.0	.333	.305
YARD	36.0	3.0	1.0	.9144
METER	39.37	3.281	1.094	1.0

UNITS OF AREA

UNIT	SQUARE INCH	SQUARE FOOT	SQUARE YARD	SQUARE METER
SQUARE INCH	1.0	.00694	.000772	.000645
SQUARE FOOT	144.0	1.0	.1111	.0929
SQUARE YARD	1,296.0	9.0	1.0	.836
SQUARE METER	1,550.0	10.76	1.196	1.0

UNITS OF VOLUME

UNIT	U.S. GALLON	IMPERIAL GALLON	CUBIC FEET	POUNDS OF WATER	CUBIC METERS
U.S. GALLON	1.0	.833	.1337	8.33	.003785
IMPERIAL GALLON	1.2	1.0	.1605	10.0	.004546
CUBIC FEET	7.481	6.232	1.0	62.37	.0283
POUNDS OF WATER	.12	.09996	.0160	1.0	.00045
CUBIC METERS	264.2	220.0	35.31	2,204.0	1.0

UNITS OF FLOW

UNIT	U.S. G.P.M.	IMPERIAL G.P.M.	CUBIC FEET/SECOND	CUBIC FEET/HOUR	LITERS/SECOND
U.S. G.P.M.	1.0	.833	.00223	8.02	.0631
IMPERIAL G.P.M.	1.2	1.0	.00268	9.63	.0757
CUBIC FT. PER SECOND	448.8	374.0	1.0	3.600	28.32
CUBIC FT. PER HOUR	.1247	.104	.00028	1.0	.0078
LITERS PER SECOND	15.85	13.21	.0353	127.13	1.0

ENGINEERING DATA

UNITS OF MEASURE

UNITS OF PRESSURE

UNIT	INCHES OF WATER	FEET OF WATER	POUNDS PER SQUARE INCH	INCHES OF MERCURY
INCHES OF WATER	1.0	.0833	.0361	.0736
FEET OF WATER	12.0	1.0	.433	.883
POUNDS PER SQUARE INCH	27.72	2.31	1.0	2.04
INCHES OF MERCURY	13.596	1.133	.4906	1.0

PRESSURE AND EQUIVALENT FEET HEAD OF WATER

$$H = \frac{\text{pressure (psi)} \times 144}{62.4}$$

Lbs. per Sq. In.	Feet Head	Lbs. per Sq. In.	Feet Head	Lbs. per Sq. In.	Feet Head	Lbs. per Sq. In.	Feet Head
1	2.31	20	46.18	120	276.42	225	519.23
2	4.62	25	57.72	125	288.46	250	576.92
3	6.93	30	69.27	130	300.00	275	634.62
4	9.24	40	92.36	140	323.08	300	692.31
5	11.54	50	115.38	150	346.15	325	750.00
6	13.85	60	138.46	160	369.23	350	807.69
7	16.16	70	161.53	170	392.31	375	865.38
8	18.47	80	184.62	180	415.38	400	923.08
9	20.78	90	207.69	190	438.46	500	1153.85
10	23.09	100	230.77	200	461.54	1000	2307.69
15	34.63	110	253.85				

ENGINEERING DATA

UNITS OF MEASURE

EQUIVALENT VALUES OF PRESSURE 1 in. of Mercury (hg) = 1.13 ft. of water

Inches of Mercury	Feet of Water	Pounds per Sq. In.	Inches of Mercury	Feet of Water	Pounds per Sq. In.	Inches of Mercury	Feet of Water	Pounds per Sq. In.
1	1.13	0.49	11	12.45	5.39	21	23.78	10.3
2	2.26	0.98	12	13.57	5.87	22	24.88	10.8
3	3.39	1.47	13	14.70	6.37	23	26.00	11.28
4	4.52	1.95	14	15.82	6.86	24	27.15	11.75
5	5.65	2.44	15	16.96	7.35	25	28.26	12.25
6	6.78	2.93	16	18.09	7.84	26	29.40	12.73
7	7.91	3.42	17	19.22	8.33	27	30.52	13.23
8	9.04	3.91	18	20.35	8.82	28	31.65	13.73
9	10.17	4.40	19	26.47	9.31	29	32.80	14.22
10	11.30	4.89	20	22.60	9.80	29.929	33.947	14.6969

WEIGHT

1 U.S. GALLON OF WATER = 8.33 LBS.

1 CUBIC FOOT OF WATER = 62.35 LBS.

1 KILOGRAM (LITRE) = 2.2 LBS.

1 IMPERIAL GALLON = 10.0 LBS.

CURRENT CAPACITY (AMPS) OF WIRE *

Three wires in cable, ambient temp. 86°F

WIRE SIZE	AMPERES	
	COPPER	ALUMINIUM
14	20	—
12	25	20
10	30	25
8	40	30
6	55	40
4	70	55
3	85	65
2	95	75
1	110	85
0	125	100

* Wire size is minimum for amperes listed.

EFFICIENCY

EFFICIENCY	POWER OUTPUT POWER INPUT
MOTOR EFFICIENCY	$\frac{\text{HP OUTPUT}}{\text{K.W. INPUT}}$
PUMP EFFICIENCY	$\frac{\text{G.P.M.} \times \text{TOTAL HEAD (F.T.)}}{3960 \times \text{BHP}}$
OVERALL PLANT EFFICIENCY (OPE)	$\frac{\text{G.P.M.} \times \text{TOTAL HEAD (F.T.)}}{5310 \times \text{K.W. INPUT}}$

Amperage =	$\frac{\text{Watts}}{\text{Volts}}$
Watts =	Volts x Amperage
WHP =	Water Horsepower (output HP of pump) = $\frac{\text{g.p.m} \times \text{total head}}{3960}$
HP input (to motor) =	KW input x 1.341
Total Head =	Discharge head + Pumping water level (ft)
Discharge Head =	Discharge Pressure (PSI) x 2.31 ft. of head

ENGINEERING DATA

HEATER SIZING INFORMATION

Pool heaters can be sized by the volume method for maintenance heating or for spot heating. For many days during the swimming season, the sun maintains a desirable pool temperature of 78–80°F. and the pool requires no supplemental heating. However, during cooler periods a pool will usually lose 2–4°F. per day.

To get the water to the desired temperature, you could choose a smaller heater and run it during the daily filter cycle of 4–6 hours every day. This would be sufficient to overcome a slight temperature drop between filter cycles, but it would mean leaving the heater on every day. If you don't use the pool daily, it's more economical to spot heat the pool, say for the weekend. In this case, you could choose a larger heater which will heat the pool faster, and then can be turned off between uses. With either, maintenance heating or spot heating, you need to determine the size of heater to select and the time it will require to heat the pool.

**MASTERTEMP AND MAX-E -THERM MODEL
REQUIRED TO HEAT POOL IN 24 HOURS**

Pool Sizing *

° F Temperature Change/24 Hrs.	Pool Volume (Gallons)									
	Model 175	Model 200	Model 250/250HD	Model 300	Model 400/400HD	Model 175	Model 200	Model 250/250HD	Model 300	Model 400/400HD
	Pool Capacity in Gallons					Pool Surface Area in Sq. Ft. at 5.5' Depth				
5	85,210	97,383	121,729	146,075	194,766	2,069	2,364	2,955	3,546	4,727
10	42,605	48,691	60,864	73,037	97,383	1,034	1,182	1,478	1,773	2,364
15	28,403	32,461	40,576	48,692	64,922	690	788	985	1,182	1,576
20	21,303	24,346	30,433	36,519	48,691	517	591	739	887	1,182
25	17,042	19,477	24,346	29,216	29,216	414	473	591	710	945
30	14,201	16,230	20,288	24,345	32,461	345	394	493	591	788
35	12,173	13,912	17,390	20,868	27,824	296	338	423	507	675
40	10,651	12,173	15,216	18,260	24,346	259	295	369	443	591

**MASTERTEMP AND MAX-E -THERM MODEL
REQUIRED TO HEAT THE SPA 30°F IN A GIVEN TIME PERIOD**

Spa Sizing *

Model	Spa Volume (Gallons)									
	200	300	400	500	600	700	800	900	1000	
Minutes for 30° F Temperature Rise (Heater Input in 1000 BTU/HR)										
174	21.0	31.0	40.0	50.0	61.0	71.0	81.0	91.0	102.0	
200	18.0	27.0	35.0	44.0	53.0	62.0	71.0	80.0	89.0	
250/250HD	15.8	23.5	30.8	38.5	46.5	54.3	62.0	70.0	77.8	
300	13.5	20.0	26.5	33.0	40.0	46.5	53.0	60.0	66.5	
400/400HD	9.0	13.0	18.0	22.0	27.0	31.0	35.0	40.0	44.0	

Note: The chart is based on a 30° F (16.6° C) temperature rise, discounting losses and only based on heat required to raise temperature in minutes. Two-year limited warranty. See warranty for details.

* ASME models available. Please see your Pentair Aquatic Systems Representative for details.

* For Commercial Heaters 500,000 BTU/hr and over please contact factory for sizing.

$$\begin{aligned}
 \text{TIME IN HOURS} &= \frac{\text{Vol. in Gal.} \times 8.34 \text{ lb./gal.} \times \text{temprise}}{\text{Heater BTUH input} \times \text{efficiency of heater}} \\
 \text{POOL \& SPA} & \\
 \text{TIME IN MINUTES} &= \frac{\text{Vol. in Gal.} \times 8.34 \text{ lb./gal.} \times \text{temprise} \times 60}{\text{min}} \\
 \text{SPA} &= \frac{\text{Vol. in Gal.} \times 8.34 \text{ lb./gal.} \times \text{temprise} \times 60}{\text{min}}
 \end{aligned}$$

ENGINEERING DATA

HEATER SIZING INFORMATION

ETi 400 ASME HIGH EFFICIENCY HEATER MODEL
REQUIRED TIME TO TEMPERATURE RISE

° F Temperature Rise	Pool Volume (Gallons)									
	10,000	20,000	30,000	40,000	50,000	60,000	70,000	80,000	90,000	100,000
	Hours to Reach Temperature									
5	1.08	2.17	3.26	4.34	5.43	6.52	7.60	8.69	9.77	10.86
10	2.17	4.34	6.52	8.69	10.86	13.03	15.20	17.38	19.55	21.72
15	3.25	6.52	9.77	13.03	16.29	19.55	22.80	26.06	29.32	35.58
20	4.35	8.69	13.03	17.38	21.72	26.06	30.41	34.75	39.09	43.44
25	5.43	10.86	16.29	21.72	27.15	32.58	38.01	43.44	48.87	54.30
30	6.52	13.03	19.55	26.06	32.58	39.09	45.61	52.13	58.64	65.16
35	7.60	15.20	22.80	30.41	38.01	45.61	53.21	60.81	68.41	76.02
40	8.68	17.38	26.06	34.75	43.44	52.13	60.81	69.50	78.19	86.88
50	9.77	19.55	29.32	39.09	48.87	58.64	68.41	78.19	87.96	97.73
	10.87	21.72	32.58	43.44	54.30	65.16	76.02	86.88	97.73	108.59

ENGINEERING DATA

HEATER GAS SUPPLY AND PIPE SIZING INFORMATION

When installing any Pentair or Sta-Rite pool or spa heater, it is very important to have the proper amount of gas supplied to all Pentair or Sta-Rite Heaters for pools. Below, for your information, is a table which will assist you in selecting the correct size of piping for the installation.

When installing any gas appliance, it is very important to have the proper size gas meter and home pressure regulator installed. Once you have selected the correct size heater for the pool or spa, contact the local utility which supplies the gas and request a field review of the installation and have them install the proper size meter and proper size pressure regulator.

LOW PRESSURE, SINGLE STAGE PIPE SIZING FOR GAS LINE CONNECTIONS

4

Natural gas at 1000 BTU per Cubic Foot

Propane Gas at 2500 BTU per Cubic Foot

MODEL	1/2 in.		3/4 in.		1 in.		1-1/4 in.		1-1/2 in.		2 in.		2-1/2 in.	
	NAT	PRO	NAT	PRO	NAT	PRO	NAT	PRO	NAT	PRO	NAT	PRO	NAT	PRO
100 & 75	20 ft.	50 ft.	50 ft.	150 ft.	150 ft.	600 ft.	-	-	-	-	-	-	-	-
150	10 ft.	40 ft.	50 ft.	150 ft.	150 ft.	600 ft.	-	-	-	-	-	-	-	-
200	-	20 ft.	30 ft.	80 ft.	125 ft.	250 ft.	450 ft.	600 ft.	-	-	-	-	-	-
250	-	10 ft.	20 ft.	50 ft.	70 ft.	150 ft.	250 ft.	500 ft.	600 ft.	-	-	-	-	-
300	-	-	10 ft.	30 ft.	50 ft.	100 ft.	200 ft.	350 ft.	400 ft.	600 ft.	-	-	-	-
350	-	-	10 ft.	20 ft.	30 ft.	70 ft.	125 ft.	250 ft.	250 ft.	500 ft.	500 ft.	-	-	-
400	-	-	-	10 ft.	20 ft.	60 ft.	100 ft.	150 ft.	200 ft.	450 ft.	400 ft.	-	-	-
525	-	-	-	5 ft.	15 ft.	35 ft.	65 ft.	150 ft.	130 ft.	360 ft.	390 ft.	700 ft.	-	-
750	-	-	-	-	-	20 ft.	35 ft.	80 ft.	75 ft.	180 ft.	260 ft.	600 ft.	-	-
900	-	-	-	-	-	15 ft.	20 ft.	45 ft.	45 ft.	100 ft.	150 ft.	360 ft.	400 ft.	-

Gas Pressure	Model	Natural	Propane
		Inches W. C.	
Gas Pressure Requirements Pentair Water Heaters			
Maximum Inlet	CH	10	14
	STD	10	14
	TSI	10	N/A
	LN	10	N/A
Minimum Inlet	CH	6	12
	STD	6	12
	TSI	4	N/A
	LN	6	N/A
Manifold	CH	4	11
	STD	4	11
	TSI	2	N/A
	LN	4	N/A

Gas Pressure	Natural	Propane
	Inches W. C.	
Gas Pressure Requirements for MiniMax 75 & 100 Pentair Water Heaters		
Normal Altitudes (0–2500 ft. above Sea Level)		
Maximum Inlet	10	14
Minimum Inlet	5	12
Normal Manifold	4	11
High Altitudes (2500–7000 ft. above Sea Level)		
Maximum Inlet	10	14
Minimum Inlet	5	12
Normal Manifold	3	7

Note: All readings must be taken while heater is operating. Any adjustments or readings made while heater is off will give incorrect readings and should not be used for evaluation of heater operation.

All Values are +/- 0.2 inch W. C.

Gas Pressure	Model	Natural	Propane
		Inches W. C.	
Gas Pressure Requirements for MasterTemp, Max-E-Therm and ETi 400 Pentair Water Heaters			
Maximum Inlet	MT	14	14
Minimum Inlet	MT	4	4
Manifold	MT	-0.2 ± 0.1	-0.2 ± 0.1

ENGINEERING DATA

HEATER GAS SUPPLY AND PIPE SIZING INFORMATION

“RESIDENTIAL” PROPANE GAS 2 STAGE REGULATION

In many Propane gas line installations, the gas supplier and or installer will utilize a two stage regulation process whereby, at the supply tank, they will install the first stage gas regulator, which would be at a higher pressure, usually 10 psi. This higher pressure allows for much longer distance and in a much smaller pipe size. Then, within a short distance from the pool heater, generally around 24 inches, a second regulator, which is the second stage, would be installed and set at the required inlet pressure of the heater.

SEE “GAS PRESSURE REQUIREMENT CHART.”

Stage One “High Pressure” Gas Pipe Sizing				Stage Two “Low Pressure” Gas Pipe Sizing		
10 PSI @ 2500 BTU Per CU. FT.				Stage 2 set at 14 in. W.C.		
MAXIMUM EQUIVALENT PIPE LENGTH				MAXIMUM EQUIVALENT PIPE LENGTH		
Model	0 to 50 Feet	50 to 100 Feet	100 to 150 Feet	Model	0 to 10 Feet	10 to 20 Feet
75 through 400	1/2 in.	1/2 in.	1/2 in.	75 through 400	3/4 in.	3/4 in.

“RESIDENTIAL” NATURAL GAS 2 STAGE REGULATION

In many Natural gas line installations, the gas supplier and or installer will utilize a two stage regulation process whereby, at the street’s main gas supply, they will install the first stage gas regulator, which would be at a higher pressure. This higher pressure is usually set at 2 psi or 5 psi and can be run for long distances and in a much smaller pipe size. Then, within a short distance from the pool heater, generally around 24 inches, they will install a second regulator, which is the second stage. This second stage regulator would be set at the minimum operating pressure for the heater. For “Natural Gas Pentair Pool Heaters” the minimum is 7 inches W.C.

Stage One “High Pressure” Gas Pipe Sizing				Stage Two “Low Pressure” Gas Pipe Sizing		
2 PSI @ 1000 BTU Per CU. FT.				Stage 2 set at 7 in. W.C.		
MAXIMUM EQUIVALENT PIPE LENGTH				MAXIMUM EQUIVALENT PIPE LENGTH		
Model	0 to 20 Feet	20 to 90 Feet	90 to 200 Feet	Model	0 to 5 Feet	0 to 15 Feet
75 through 400	3/4 in.	1 in.	1-1/4 in.	75 through 300	3/4 in.	1 in.
				350 & 400	1 in.	1 in.

Stage One “High Pressure” Gas Pipe Sizing				Stage Two “Low Pressure” Gas Pipe Sizing		
5 PSI @ 1000 BTU Per CU. FT.				Stage 2 set at 7 in. W.C.		
MAXIMUM EQUIVALENT PIPE LENGTH				MAXIMUM EQUIVALENT PIPE LENGTH		
Model	0 to 50 Feet	50 to 100 Feet	100 to 200 Feet	Model	0 to 5 Feet	0 to 15 Feet
75 through 400	3/4 in.	3/4 in.	3/4 in.	75 through 300	3/4 in.	1 in.
				350 & 400	1 in.	1 in.

ENGINEERING DATA

BLOWER SIZING

HORSEPOWER

To Get This	Divide This	By This
Horsepower	Kwatts	0.746
Horsepower	Watts	746
Horsepower	Torque (ft. lbs.) X RPM	33000
Horsepower	Torque (ft. lbs.) X RPS	550
Horsepower required to pump water at a given rate to a given Height, assuming 100% eff. AKA Water Horsepower	GPM x TDH (ft.)	3960
	GPH X TDH (psi)	103000
Brake HP	Water HP	Pump eff.

AIR BLOWER SIZING GUIDE

BLOWER MOTOR SIZE	VOLTS	AMPS	MAXIMUM INCHES OF WATER DEPTH	JETS ONLY RECOMMENDED NUMBER OF JETS
1 HP	120V	6.6	35 in.	5-10
1-1/2 HP	120V	7.4	45 in.	9-15
2 HP	120V	9.3	55 in.	12-17
1 HP	240V	3.9	30 in.	4-9
1-1/2 HP	240V	4.3	40 in.	8-13
2 HP	240V	5.0	50 in.	12-17

BLOWER SIZING FORMULA

Measure total depth of water in spa (not total spa depth)

Add - 1 in. water for each 10 ft. of 2 in. air pipe

Add 1/2 in. water for each 90 deg. 2 in. elbow

Compare your total with maximum inches of water column and select that size or the next size higher blower than your total, in your selected voltage.

The number of holes in the air channel (both floor and seat) should be approximately 1.6 sq. in. total plus or minus .5

1/8 in. hole = .0123 sq. in.

3/16 in. hole = .0276 sq. in.

5/32 in. hole = .0192 sq. in.

1/4 in. hole = .0491 sq. in.

ENGINEERING DATA, FRICTION FLOW

FRICTION/FLOW CHART FOR SCHEDULE 40 RIGID PVC PIPE *

U.S. Gal. per min.	3/4 in. pipe		1 in. pipe		1-1/4 in. pipe		1-1/2 in. pipe		2 in. pipe		2-1/2 in. pipe		3 in. pipe		4 in. pipe		5 in. pipe		6 in. pipe		U.S. Gal. per min.
	Velocity feet per second	Loss in feet	Velocity feet per second	Loss in feet	Velocity feet per second	Loss in feet	Velocity feet per second	Loss in feet	Velocity feet per second	Loss in feet	Velocity feet per second	Loss in feet	Velocity feet per second	Loss in feet	Velocity feet per second	Loss in feet	Velocity feet per second	Loss in feet	Velocity feet per second	Loss in feet	
1	.71	.40	.40	.10	0.26	0.03															1
2	1.43	1.44	.80	.35	.51	.12	.36	.05													2
3	2.14	3.05	1.20	.75	.77	.25	.53	.10													3
4	2.85	5.19	1.60	1.28	1.03	.43	.71	.18													4
5	3.56	7.85	2.00	1.94	1.28	.65	.89	.27	.50	.07	.32	.02	.22	.01							5
6	4.28	11.01	2.41	2.71	1.54	.92	1.07	.38	.60	.09	.38	.03	.27	.01							6
8	5.70	18.75	3.21	4.62	2.05	1.56	1.43	.64	.80	.16	.51	.05	.36	.02							8
10	7.13	28.34	4.01	6.99	2.57	2.36	1.78	.97	1.00	.24	.64	.08	.45	.03							10
15	10.69	60.06	6.01	14.81	3.85	5.00	2.67	2.06	1.50	.51	.96	.17	.67	.07							15
20			8.02	25.24	5.13	8.52	3.56	3.51	2.00	.87	1.28	.29	.89	.12	.50	.03					20
25			10.02	38.16	6.41	12.88	4.45	5.31	2.51	1.31	1.60	.44	1.11	.18	.63	.04					25
30			12.03	53.48	7.70	18.06	5.34	7.44	3.01	1.83	1.92	.62	1.34	.26	.75	.06	.48	.02			30
35					8.98	24.03	6.24	9.89	3.51	2.44	2.24	.82	1.56	.34	.88	.08	.56	.03			35
40					10.26	30.77	7.13	12.67	4.01	3.13	2.57	1.06	1.78	.43	1.00	.11	.64	.04			40
45					11.54	38.27	8.02	15.76	4.51	3.89	2.89	1.31	2.00	.54	1.13	.13	.72	.05			45
50					12.83	46.51	8.91	19.16	5.01	4.72	3.21	1.60	2.23	.66	1.25	.16	.80	.05	.56	.02	50
60							10.69	26.85	6.01	6.62	3.85	2.24	2.67	.92	1.50	.23	.96	.08	.67	.03	60
70									7.01	8.81	4.49	2.98	3.12	1.23	1.75	.30	1.12	.10	.78	.04	70
80									8.02	11.28	5.13	3.81	3.56	1.57	2.00	.39	1.28	.13	.89	.05	80
90									9.02	14.03	5.77	4.74	4.01	1.95	2.25	.48	1.44	.16	1.00	.07	90
100									10.02	17.06	6.41	5.76	4.45	2.37	2.51	.59	1.60	.20	1.11	0.08	100
125											8.02	8.71	5.57	3.59	3.13	.88	2.00	.30	1.39	.12	125
150											9.62	12.20	6.68	5.03	3.76	1.24	2.41	.42	1.67	.17	150
175													7.79	6.69	4.38	1.65	2.81	.56	1.95	.23	175
200													8.91	8.56	5.01	2.11	3.21	.71	2.23	.29	200
225													10.02	10.65	5.64	2.63	3.61	.89	2.51	.37	225
250													11.13	12.95	6.26	3.19	4.01	1.08	2.78	.44	250
275															6.89	3.81	4.41	1.29	3.06	.53	275
300															7.52	4.48	4.81	1.51	3.34	.62	300
325															8.14	5.19	5.21	1.75	3.62	.72	325
350															8.77	5.95	5.61	2.01	3.90	.83	350
375															9.39	6.77	6.01	2.28	4.18	.94	375
400															10.02	7.63	6.41	2.57	4.45	1.06	400
425																	6.81	2.88	4.73	1.19	425
450																	7.22	3.20	5.01	1.32	450
475																	7.62	3.54	5.29	1.46	475
500																	8.02	3.89	5.57	1.60	500
550																	8.82	4.64	6.12	1.91	550
600																	9.62	5.46	6.68	2.25	600
650																			7.24	2.61	650
700																			7.79	2.99	700
750																			8.35	3.40	750
1000																			11.13	5.79	1000

* Friction loss of water in feet per 100 feet length of pipe. Based on Williams & Hazen formula using constant 150.

* Recommended operating flow velocities indicated by boxed areas.

WARRANTY INFORMATION

Product Catalog 2020

PENTAIR LIMITED WARRANTY

You've always been able to count on the quality and long service life of Pentair products. We use the very best standards of workmanship, materials and manufacturing processes to deliver value and peace of mind. Please review this document for details of general warranty terms and conditions and visit www.pentair.com/warranty for information regarding the coverage duration and any possible warranty exceptions for your specific pool and spa equipment. Pentair offers:

- **LIMITED WARRANTY:** Pentair warrants its products to be free from defects in material and/or workmanship for a period of sixty (60) days (parts only) from the original date of purchase and/or installation. Customer agrees to prepay all shipping charges to Pentair.
- **EXTENDED WARRANTY:** To receive a product extended warranty (longer than 60 days from the original date of installation), customer must:
 1. Register the product;
 2. Provide a copy of the sales receipt; and
 3. Provide a copy of the installation invoice, provided by the qualified installer, within 60 days of installation (if required). Certain products do not require qualified installation but still require product registration and copy of the sales receipt to receive the extended warranty.
- **TRADEGRADE WARRANTY:** TradeGrade products must be purchased from a retail store (brick and mortar), pool builder or pool service company. If purchased online (via internet) the product will only receive a sixty (60) day limited warranty.

GENERAL WARRANTY TERMS AND CONDITIONS

DENIAL OF WARRANTY CLAIM: A warranty may be denied under the following circumstances:

1. Damage caused by careless handling, improper repackaging, or shipping.
2. Damage due to misapplication, misuse, abuse or failure to operate equipment as specified in the owner's manual.
3. Damage caused by failure to install products as specified in the owner's manual.
4. Damage due to unauthorized product modifications or failure to use Pentair original replacement parts.
5. Damage caused by negligence, or failure to properly maintain products as specified in the owner's manual.
6. Damage caused by failure to maintain water chemistry in conformity with the standards of the swimming pool industry for any length of time.
7. Damage caused by water freezing inside the product.
8. Accidental damage, fire, acts of God, or other circumstances outside the control of Pentair.

PENTAIR WARRANTY OBLIGATIONS

Should a defect in workmanship and/or material in any item covered by this warranty become evident during the term of the warranty, then upon the customer following the procedures set forth below, Pentair will, at its sole option, repair or replace such product or part of equal value, in lieu of repair.

Pentair is not, however, responsible under this warranty for any cost of shipping or transportation of the product or parts thereof to or from the Technical Service Department. Also, Pentair is not liable for any loss of time, inconvenience, incidental expenses such as telephone calls, labor or material charges incurred in connection with the removal or replacement of the equipment, or any other incidental or consequential damages.

The above mentioned warranties are void if the product is repaired or altered in any way by any persons, agents or representatives other than those authorized by Pentair. Expendables including, but not limited to refrigerant, recovery of refrigerant, or transportation for components are not covered under this limited warranty. Reasonable vehicle trip and evaluation charges may be assessed by a Pentair service representative. Some states do not allow the exclusion or limitation of incidental or consequential damages, so the above limitation or exclusion may not apply to you.

All extended warranties are applicable to the original owner only, beginning on the date of installation and are not enforceable by any third party.

WARRANTIES BY OTHERS

Some Pentair products incorporate components manufactured by other manufacturers. Some of these manufacturers provide warranties in addition to the warranty provided by Pentair herein. In all such cases, a copy of the third party manufacturer's warranty will be provided with the product. To the extent protection provided under any such third party warranty exceeds the Limited Warranty provided herein, the Customer will have to contact the specific manufacturer for the additional protection.

NO OTHER WARRANTIES

To the maximum extent permitted by applicable law, Pentair disclaims all other warranties, either expressed or implied, including, but not limited to, implied warranties of merchantability and fitness for a particular purpose, with regard to the product(s), part(s) and/or any accompanying written materials.

PROCEDURE FOR OBTAINING PERFORMANCE

In order to obtain the benefits of this warranty, the consumer who made the original retail purchase must contact the Pentair Technical Service Department as soon as possible after discovery of the product related issue, but in no event later than the expiration date of the respective warranty periods provided herein. Upon receipt of this communication, Pentair will promptly notify the customer of the address to which the product may be shipped. The customer shall then ship the product, freight prepaid, to the address indicated, together with a "RETURN GOODS AUTHORIZATION" form obtained from Technical Service and a brief description of the problems encountered. Unauthorized returns will not be accepted. Freight must be prepaid by customer.

WARRANTIES OR REPRESENTATIONS BY OTHERS

No third party has any authority to make any warranties or representation concerning Pentair or its products. Accordingly, Pentair is not responsible for any such warranties or representations.

OTHER RIGHTS

This warranty gives you specific legal rights and you may also have other rights, which vary from state to state.

SOLE WARRANTY

Supersedes all previous warranty publications.

www.pentair.com/warranty